

MBPV



ROOF FAN WITH BACKWARD IMPELLER AND PLASTIC CONSTRUCTION

MANUFACTURING FEATURES:

- PE moulded housing and base (until size 45) and PP welded housing and base (for upper models).
 - Backward impeller with self-cleaning system in PP welded plastic.
 - Stainless steel nuts and bolts.
 - Standard asynchronous squirrel-cage motor, IP-55, class F insulation.
- Standard voltages 230/400V 50Hz for motors until 4kW and 400/690V 50Hz for higher motors

APPLICATIONS:

Designed for roof installation, they are suitable for:

- Corrosive air transport.
- Chemical and petrochemical industry.
- Laboratories and gas cabinets.

- Maximum temperature of transported air: If it is clean air 70°C, other depends on the gas (see table in documentation)

UNDER REQUEST:

- Single phase motors (up to 1,1Kw).
- 60Hz fans and special voltages fans.
- 2 speed motors.

Accessories



AD



BA-400



CSC



FJ



INT



RPI



SFC

Technical data

Three-phase motor / 2 poles

Code	Model	R.P.M.	Rated I. A		Rated power kW	Max. Airflow m ³ /h	Sound db (A)**	Weight kg	Connect. diagram
			230V	400V					
510602013	MBPV 20 T2 0,18kW	2800	0,87	0,51	0,18	1.050	64	10	1
510602515	MBPV 25 T2 0,37kW	2800	1,58	0,91	0,37	1.750	74	13	1
510603119	MBPV 31 T2 1,5kW	2865	5,83	3,14	1,50	4.050	80	33	1
510603527	MBPV 35 T2 2,2kW	2840	7,97	4,58	2,20	5.900	83	35	1

Three-phase motor / 4 poles

Code	Model	R.P.M.	Rated I. A		Rated power kW	Max. Airflow m ³ /h	Sound db (A)**	Weight kg	Connect. diagram
			230V	400V					
510602039	MBPV 20 T4 0,12kW	1400	0,8	0,46	0,12	575	49	10	1
510602539	MBPV 25 T4 0,12kW	1400	0,8	0,46	0,12	1.025	58	13	1
510603141	MBPV 31 T4 0,25kW	1400	1,38	0,79	0,25	2.000	64	26	1
510603542	MBPV 35 T4 0,37kW	1370	1,86	1,07	0,37	3.250	67	26	1
510604545	MBPV 45 T4 1,1kW	1450	4,33	2,49	1,10	6.000	71	48	1
510605054	MBPV 50 T4 2,2kW	1435	8,07	4,64	2,20	9.000	74	90	1
510605659	MBPV 56 T4 4kW	1440	14,5	8,32	4,00	12.900	74	150	1
510606361	MBPV 63 T4 5,5kW	1460	-	10,5	5,50	17.600	76	150	1
510607149	MBPV 71 T4 11kW	1455	-	21,2	11,00	22.500	74	180	1

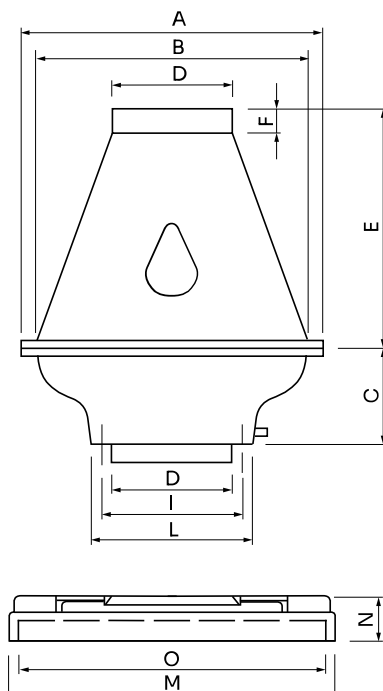
Three-phase motor / 6 poles

Code	Model	R.P.M.	Rated I. A		Rated power kW	Max. Airflow m ³ /h	Sound db (A)**	Weight kg	Connect. diagram
			230V	400V					
510603568	MBPV 35 T6 0,18kW	900	1,26	0,72	0,18	2.000	57	26	1
510604570	MBPV 45 T6 0,37kW	900	2,2	1,27	0,37	3.750	61	40	1
510605071	MBPV 50 T6 0,55kW	900	3,00	1,8	0,55	5.900	64	82	1
510605673	MBPV 56 T6 1,1kW	925	4,83	2,78	1,10	8.250	68	150	1
510606378	MBPV 63 T6 2,2kW	965	10,3	5,94	2,20	11.500	66	180	1
510607183	MBPV 71 T6 4kW	960	16,5	9,46	4,00	15.000	64	150	1
510608087	MBPV 80 T6 7,5kW	965	-	15,2	7,50	25.000	67	220	1

Notes:

** Total sound pressure level at the point of maximum flow measured in dB(A) in the suction measured in free field at a distance of 6m from the source

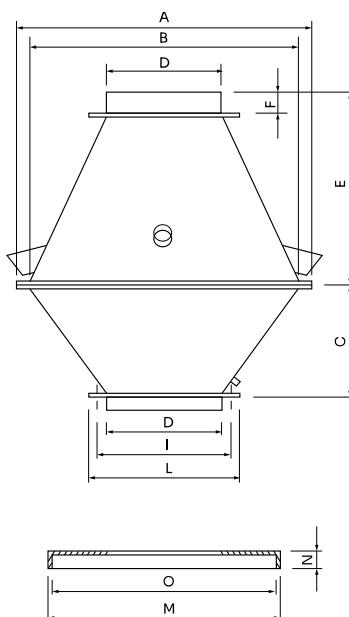
Dimensions



Model	A	B	C	D	E	F	I	L	M
MBPV 20 T2 0,18kW	400	350	145	160	420	40	200	240	540
MBPV 20 T4 0,12kW	400	350	145	160	420	40	200	240	540
MBPV 25 T2 0,37kW	500	450	185	200	460	50	230	265	540
MBPV 25 T4 0,12kW	500	450	185	200	460	50	230	265	540
MBPV 31 T2 1,5kW	600	560	240	280	600	50	325	365	540
MBPV 31 T4 0,25kW	600	560	240	280	600	50	325	365	540
MBPV 35 T2 2,2kW	600	560	240	280	600	50	325	365	540
MBPV 35 T4 0,37kW	600	560	240	280	600	50	325	365	540
MBPV 35 T6 0,18kW	600	560	240	280	600	50	325	365	540
MBPV 45 T4 1,1kW	800	730	280	355	700	50	405	450	750
MBPV 45 T6 0,37kW	800	730	280	355	700	50	405	450	750

Model	N	Nº	O
MBPV 20 T2 0,18kW	80	6	490
MBPV 20 T4 0,12kW	80	6	490
MBPV 25 T2 0,37kW	80	8	490
MBPV 25 T4 0,12kW	80	8	490
MBPV 31 T2 1,5kW	80	8	490
MBPV 31 T4 0,25kW	80	8	490
MBPV 35 T2 2,2kW	80	8	490

Model	N	Nº	O
MBPV 35 T4 0,37kW	80	8	490
MBPV 35 T6 0,18kW	80	8	490
MBPV 45 T4 1,1kW	100	8	700
MBPV 45 T6 0,37kW	100	8	700



Model	A	B	C	D	E	F	I	L	M
MBPV 50 T4 2,2kW	1000	900	400	400	700	80	510	550	800
MBPV 50 T6 0,55kW	1000	900	400	400	700	80	510	550	800
MBPV 56 T4 4kW	1150	1050	430	450	800	80	560	600	900
MBPV 56 T6 1,1kW	1150	1050	430	450	800	80	560	600	900
MBPV 63 T4 5,5kW	1300	1200	450	500	900	80	610	650	1000
MBPV 63 T6 2,2kW	1300	1200	450	500	900	80	610	650	1000
MBPV 71 T4 11kW	1350	1270	500	600	1000	80	710	750	1100
MBPV 71 T6 4kW	1350	1270	500	600	1000	80	710	750	1100
MBPV 80 T6 7,5kW	1600	1500	520	700	1300	80	810	850	1200

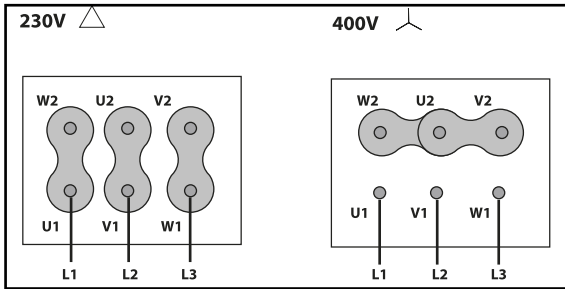
Model	N	Nº	O
MBPV 50 T4 2,2kW	70	10	750
MBPV 50 T6 0,55kW	70	10	750
MBPV 56 T4 4kW	70	10	850
MBPV 56 T6 1,1kW	70	10	850
MBPV 63 T4 5,5kW	70	10	1050

Model	N	Nº	O
MBPV 63 T6 2,2kW	70	10	1050
MBPV 71 T4 11kW	70	10	1050
MBPV 71 T6 4kW	70	10	1050
MBPV 80 T6 7,5kW	70	10	1150

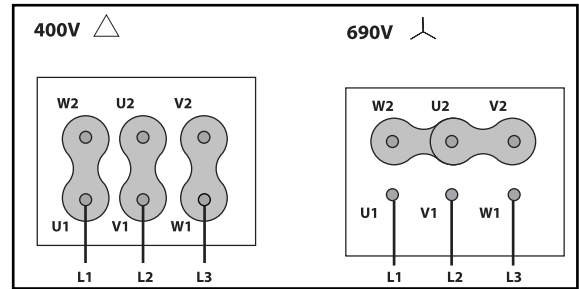
Wiring diagram

Wiring diagram N° 1

230/400V



400/690V



CHARACTERISTIC CURVE

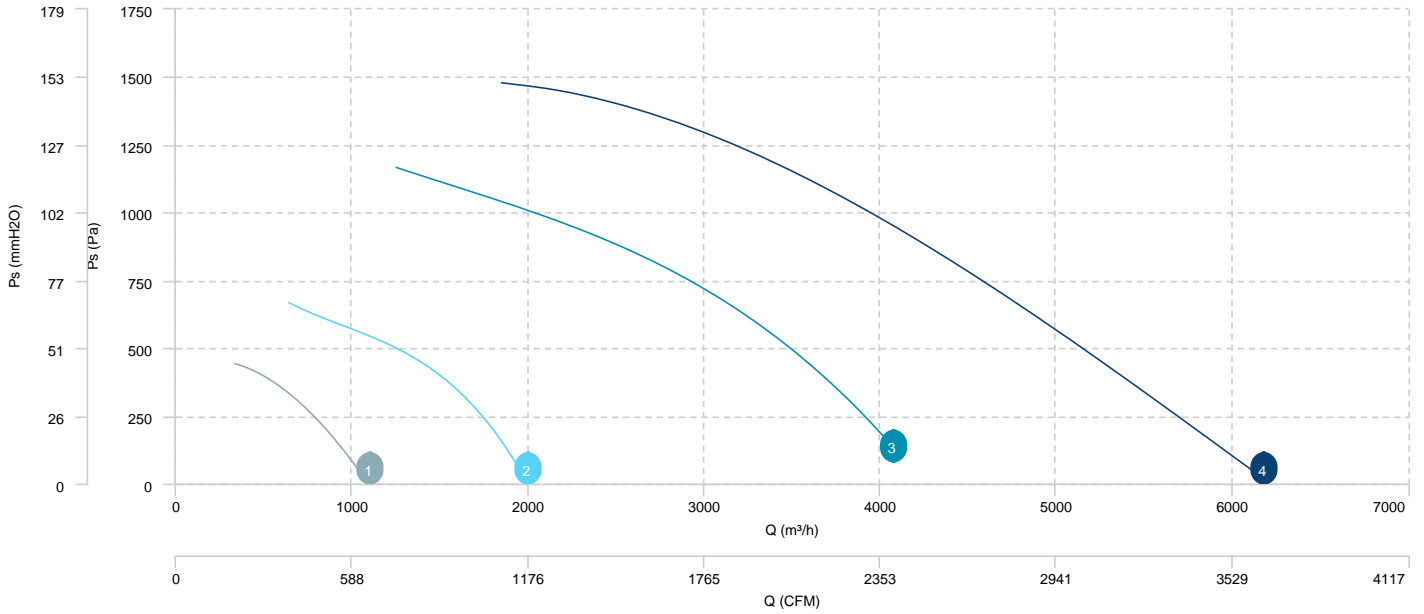
1 MBPV 20 T2 0,18kW

2 MBPV 25 T2 0,37kW

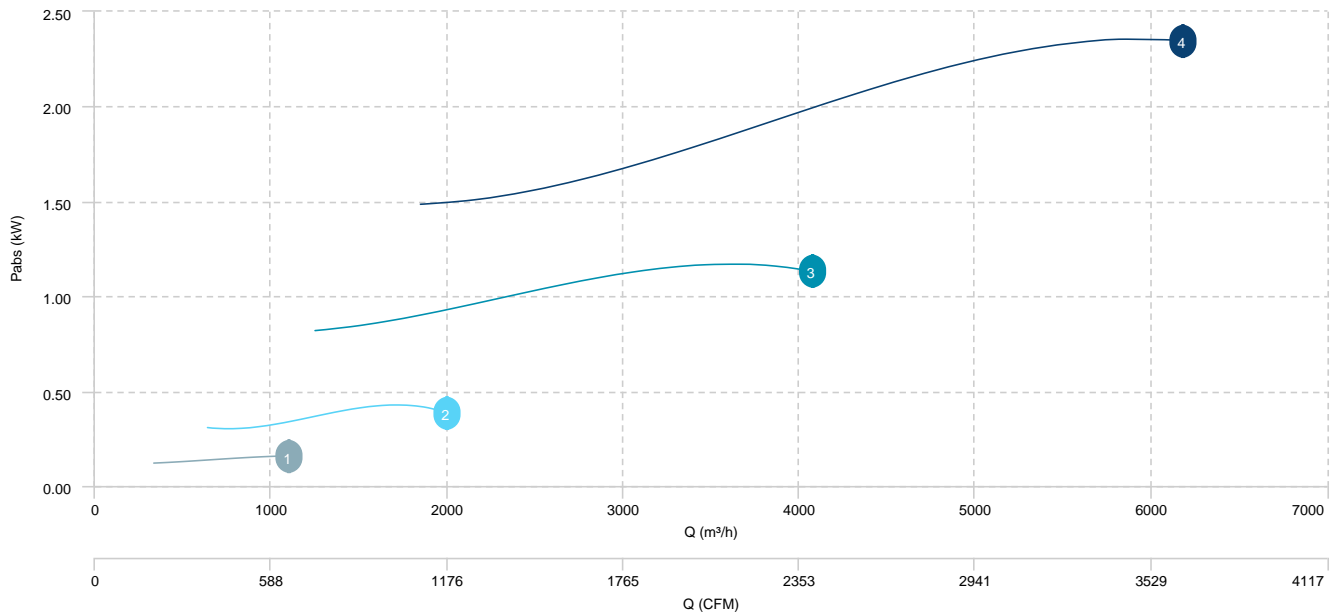
3 MBPV 31 T2 1,5kW

4 MBPV 35 T2 2,2kW

AIR FLOW - PRESSURE

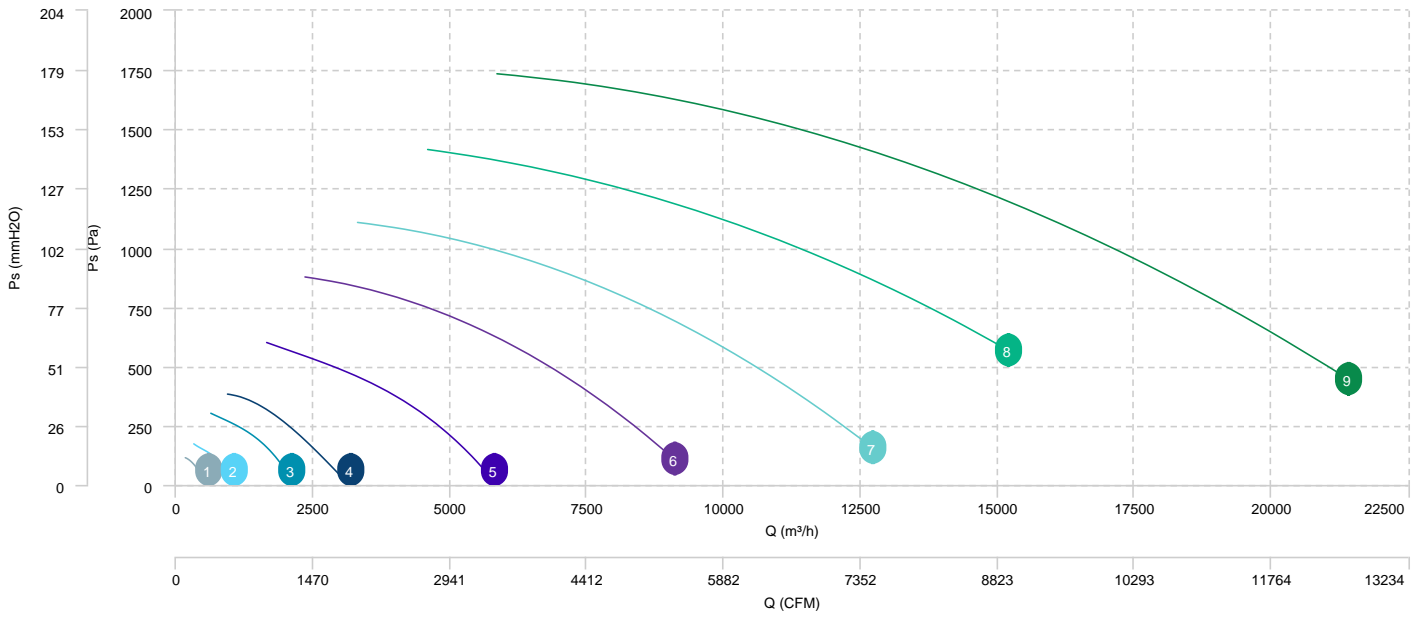


AIR FLOW - ABSORBED POWER

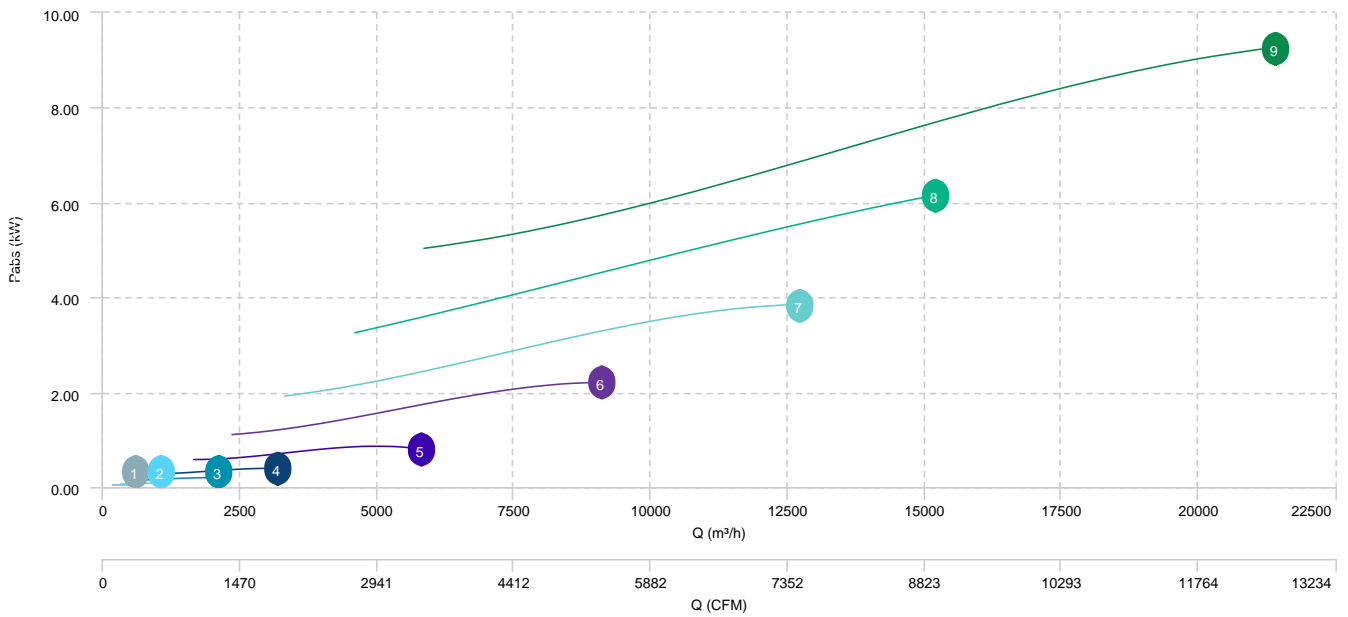


1	MBPV 20 T4 0,12kW	2	MBPV 25 T4 0,12kW	3	MBPV 31 T4 0,25kW	4	MBPV 35 T4 0,37kW
5	MBPV 45 T4 1,1kW	6	MBPV 50 T4 2,2kW	7	MBPV 56 T4 4kW	8	MBPV 63 T4 5,5kW
9	MBPV 71 T4 11kW						

AIR FLOW - PRESSURE

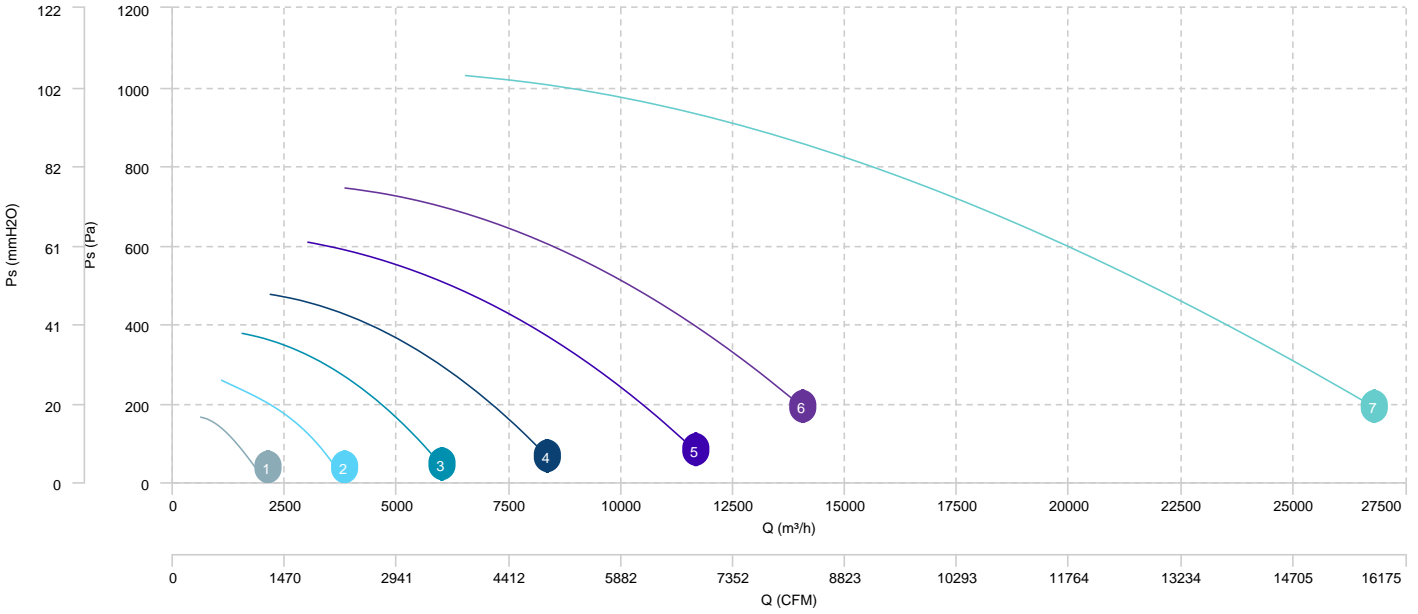


AIR FLOW - ABSORBED POWER

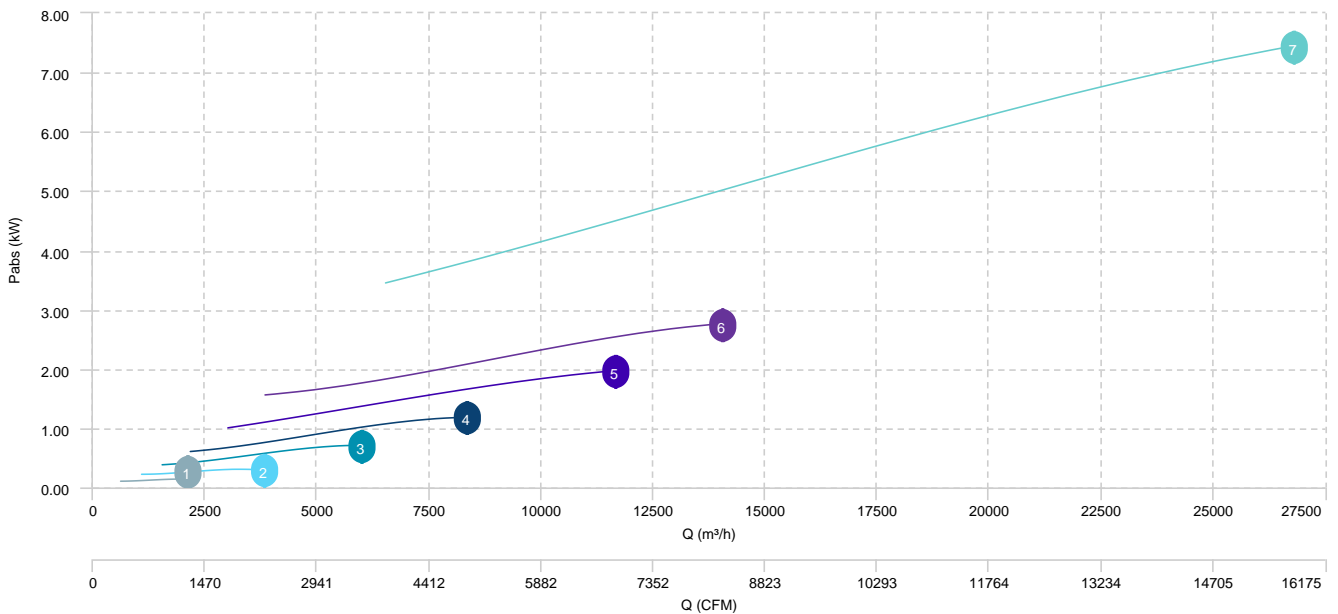


1	MBPV 35 T6 0,18kW	2	MBPV 45 T6 0,37kW	3	MBPV 50 T6 0,55kW	4	MBPV 56 T6 1,1kW
5	MBPV 63 T6 2,2kW	6	MBPV 71 T6 4kW	7	MBPV 80 T6 7,5kW		

AIR FLOW - PRESSURE



AIR FLOW - ABSORBED POWER



Sound data

Sound / 2 poles

Sound power Lw dB (A)										
Model		63 Hz	125 Hz	250 Hz	500 Hz	1000 Hz	2000 Hz	4000 Hz	8000 Hz	Total
MBPV 20 T2 0,18kW	Inlet	62	74	82	84	86	82	74	63	90
MBPV 25 T2 0,37kW	Inlet	71	83	89	95	94	91	82	72	100
MBPV 31 T2 1,5kW	Inlet	77	89	95	101	101	97	89	78	106
MBPV 35 T2 2,2kW	Inlet	80	92	98	104	103	99	91	81	109

Sound / 4 poles

Sound power Lw dB (A)										
Model		63 Hz	125 Hz	250 Hz	500 Hz	1000 Hz	2000 Hz	4000 Hz	8000 Hz	Total
MBPV 20 T4 0,12kW	Inlet	47	61	66	68	70	66	58	48	75
MBPV 25 T4 0,12kW	Inlet	56	68	77	77	79	76	67	57	84
MBPV 31 T4 0,25kW	Inlet	62	74	83	83	86	82	74	63	90
MBPV 35 T4 0,37kW	Inlet	65	77	86	86	88	85	76	66	93
MBPV 45 T4 1,1kW	Inlet	68	81	89	89	92	88	80	70	97
MBPV 50 T4 2,2kW	Inlet	72	84	92	93	95	91	83	73	100
MBPV 56 T4 4kW	Inlet	72	84	93	93	95	91	83	73	100
MBPV 63 T4 5,5kW	Inlet	74	86	94	95	97	93	85	75	102
MBPV 71 T4 11kW	Inlet	72	84	93	93	95	92	83	73	100

Sound / 6 poles

Sound power Lw dB (A)										
Model		63 Hz	125 Hz	250 Hz	500 Hz	1000 Hz	2000 Hz	4000 Hz	8000 Hz	Total
MBPV 35 T6 0,18kW	Inlet	56	71	73	73	79	75	67	57	83
MBPV 45 T6 0,37kW	Inlet	59	74	77	80	82	79	70	60	87
MBPV 50 T6 0,55kW	Inlet	62	74	82	83	85	81	73	63	90
MBPV 56 T6 1,1kW	Inlet	65	78	86	86	89	85	77	67	94
MBPV 63 T6 2,2kW	Inlet	64	76	85	85	87	84	75	65	92
MBPV 71 T6 4kW	Inlet	62	75	83	83	86	82	74	63	90
MBPV 80 T6 7,5kW	Inlet	66	78	83	86	88	84	76	74	93