

MBPN



MEDIUM PRESSURE WITH BACKWARD IMPELLER AND PLASTIC CONSTRUCTION

MANUFACTURING FEATURES:

- PE moulded housing.
- Backward impeller with self-cleaning system in PP.
- Motor support made of rolled steel sheet with polyester powder finishing coat.
- Stainless steel nuts and bolts.
- Standard asynchronous squirrel-cage motor, IP-55, class F insulation. Standard voltages 230/400V 50Hz for motors until 4kW and 400/690V 50Hz for upper motors

- Available positions (to be indicated in case of order): LG270, LG0, LG45, LG90, LG135, LG180, LG225, LG315, RD0, RD45, RD90, RD135, RD180, RD225, RD270, RD315.
- The indicated codes correspond to the model in position LG270

Accessories



APPLICATIONS:

Designed for inline installation, they are suitable for:

- Corrosive air transport.
- Chemical and petrochemical industry.
- Laboratories and gas cabinets.
- Maximum temperature of transported air: If it is clean air 70°C, other depends on the gas (see table in documentation)

UNDER REQUEST:

- Single phase motors (up to 1,1Kw).
- Fans for special voltages.
- 2 speed motors.
- Stainless steel motor support.
- Casing made of PP.

Technical data

Three-phase motor / 2 poles

Code	Model	R.P.M.	Rated I. A 400V	Rated power kW	Max. Airflow m ³ /h	Sound db (A)**	Weight kg	Connect. diagram
510704536	MBPN 45 T2 7,5kW	2910	14,1	7,50	13.000	88	72	1

Three-phase motor / 4 poles

Code	Model	R.P.M.	Rated I. A		Rated power kW	Max. Airflow m ³ /h	Sound db (A)**	Weight kg	Connect. diagram
			230V	400V					
510705054	MBPN 50 T4 2,2kW	1435	8,07	4,64	2,20	9.000	76	70	1
510705659	MBPN 56 T4 4kW	1440	14,5	8,32	4,00	13.000	76	110	1
510706361	MBPN 63 T4 5,5kW	1460	-	10,5	5,50	17.800	76	112	1
510708055	MBPN 80 T4 22kW	1465	-	40,1	22,00	38.500	77	400	1

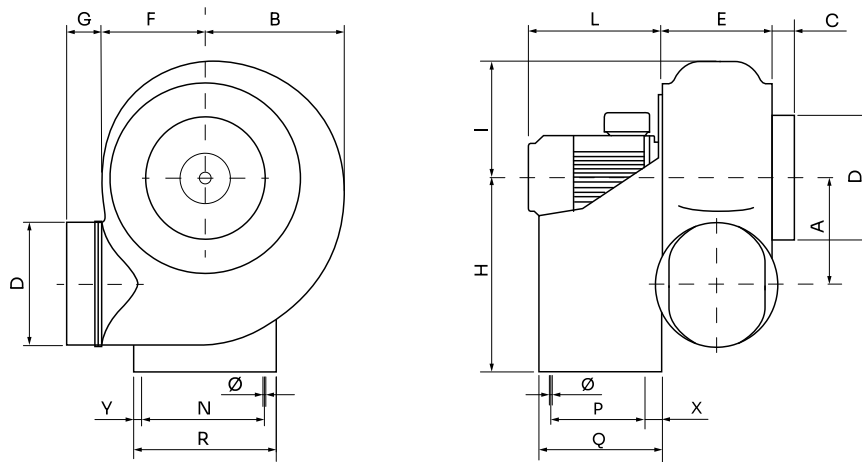
Three-phase motor / 6 poles

Code	Model	R.P.M.	Rated I. A		Rated power kW	Max. Airflow m ³ /h	Sound db (A)**	Weight kg	Connect. diagram
			230V	400V					
510705071	MBPN 50 T6 0,55kW	900	3,00	1,8	0,55	6.000	67	62	1
510705673	MBPN 56 T6 1,1kW	925	4,83	2,78	1,10	8.500	66	87	1
510706378	MBPN 63 T6 2,2kW	965	10,3	5,94	2,20	11.500	66	102	1
510708087	MBPN 80 T6 7,5kW	965	-	15,2	7,50	15.000	67	390	1

Notes:

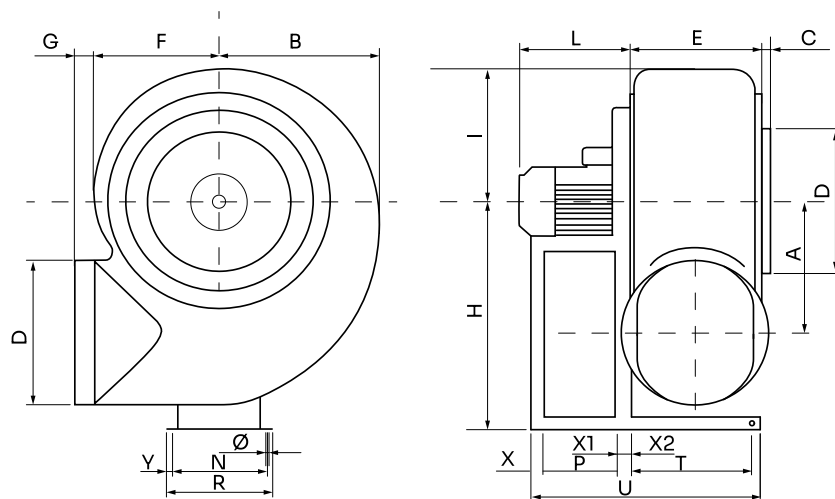
** Total sound pressure level at the point of maximum flow measured in dB(A) in the suction measured in free field at a distance of 6m from the source

Dimensions



Model	A	B	C	D	E	F	G	H	I
MBPN 45 T2 7,5kW	324	400	40	355	287	295	55	550	330

Model	L	N	P	Q	R	X	Y	Ø
MBPN 45 T2 7,5kW	415	370	270	340	410	40	20	11



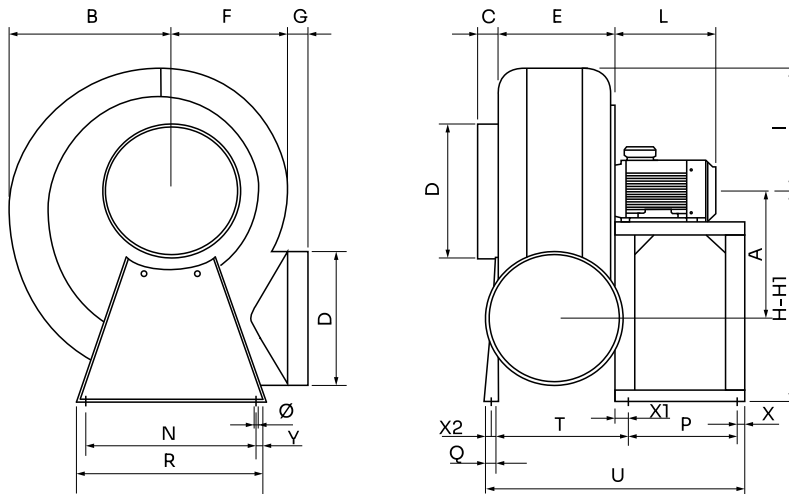
Model	A	B	C	D	E	F	G	H	I
MBPN 50 T4 2,2kW	360	460	50	400	355	355	80	630	395
MBPN 50 T6 0,55kW	360	460	50	400	355	355	80	630	395
MBPN 56 T4 4kW	410	490	50	450	365	380	80	710	410
MBPN 56 T6 1,1kW	410	490	50	450	365	380	80	710	410

CENTRIFUGAL FANS: MEDIUM PRESSURE

Model	A	B	C	D	E	F	G	H	I
MBPN 63 T4 5,5kW	445	610	50	500	415	420	80	800	505
MBPN 63 T6 2,2kW	445	610	50	500	415	420	80	800	505

Model	L	N	P	T	U	X	X1	X2	Y
MBPN 50 T4 2,2kW	300	289	197	335	636	25	30	15	18
MBPN 50 T6 0,55kW	250	289	197	335	636	25	30	15	18
MBPN 56 T4 4kW	340	289	237	335	696	25	40	15	18
MBPN 56 T6 1,1kW	330	289	237	335	696	25	40	15	18
MBPN 63 T4 5,5kW	420	337	237	400	741	25	40	15	18
MBPN 63 T6 2,2kW	340	337	237	400	741	25	40	15	18

Model	Ø
MBPN 50 T4 2,2kW	14
MBPN 50 T6 0,55kW	14
MBPN 56 T4 4kW	14
MBPN 56 T6 1,1kW	14
MBPN 63 T4 5,5kW	14
MBPN 63 T6 2,2kW	14



Model	A	B	C	D	E	F	G	H	H1
MBPN 80 T4 22kW	665	815	105	700	590	590	100	1100	950
MBPN 80 T6 7,5kW	665	815	105	700	590	590	100	1100	950

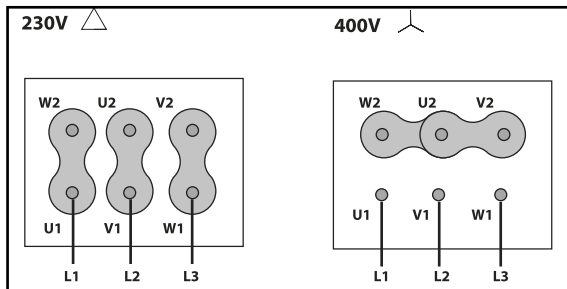
Model	I	L	N	P	Q	R	T	U	X
MBPN 80 T4 22kW	640	600	862	551	60	940	690	1319	40
MBPN 80 T6 7,5kW	640	510	862	551	60	940	690	1319	40

Model	X1	X2	Y	Ø
MBPN 80 T4 22kW	60	30	40	20
MBPN 80 T6 7,5kW	60	30	40	20

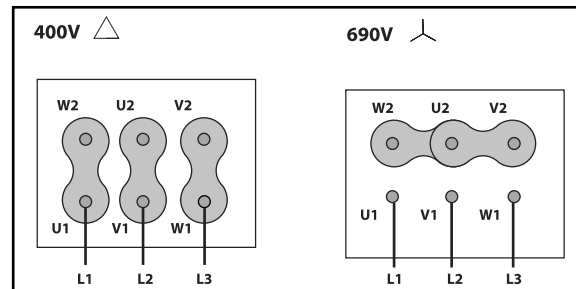
Wiring diagram

Wiring diagram N° 1

230/400V



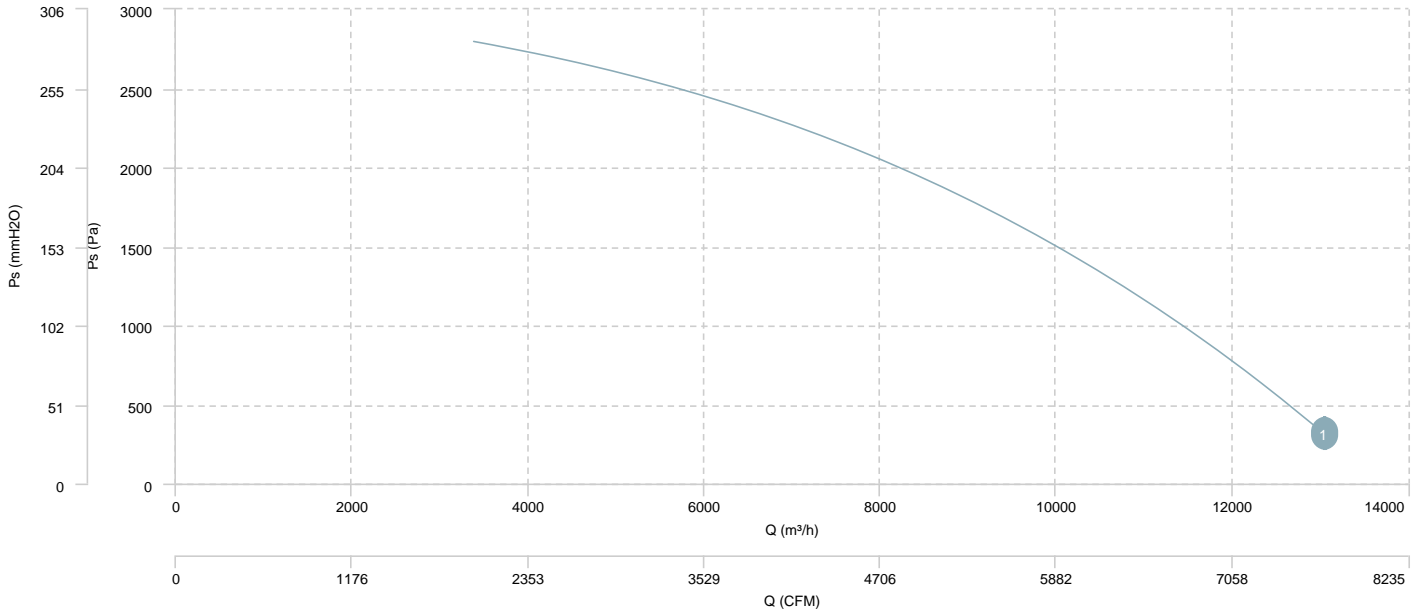
400/690V



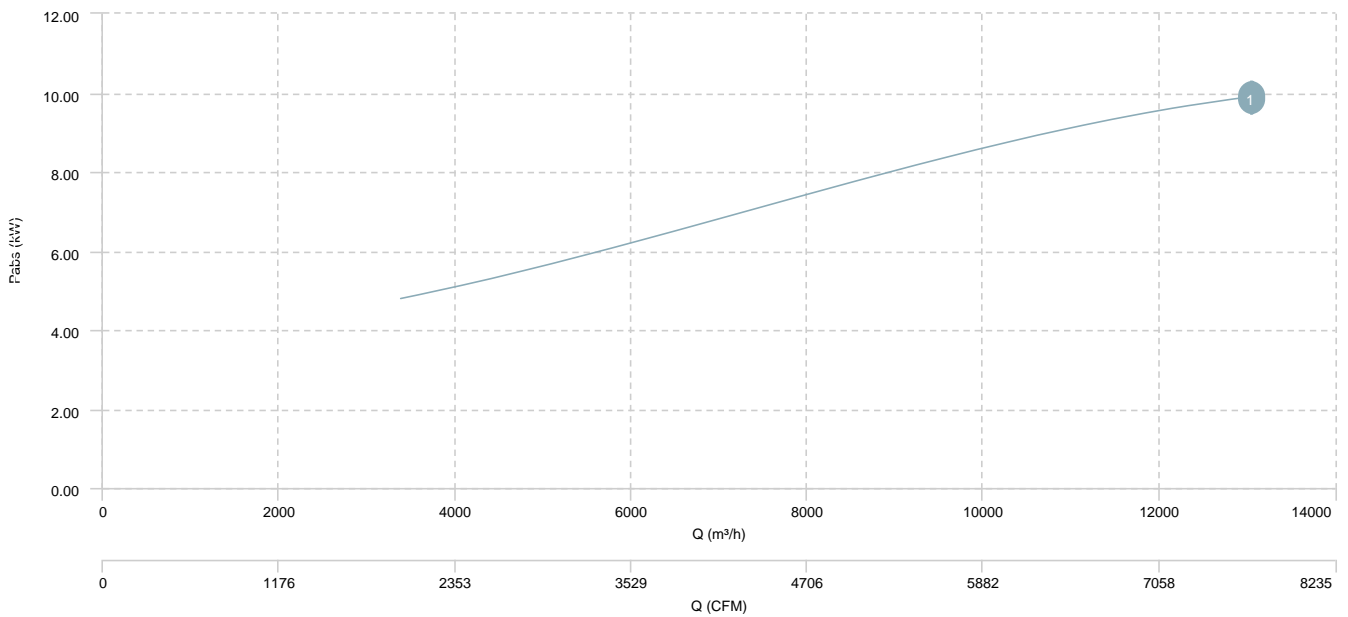
CHARACTERISTIC CURVE

1 MBPN 45 T2 7,5kW

AIR FLOW - PRESSURE



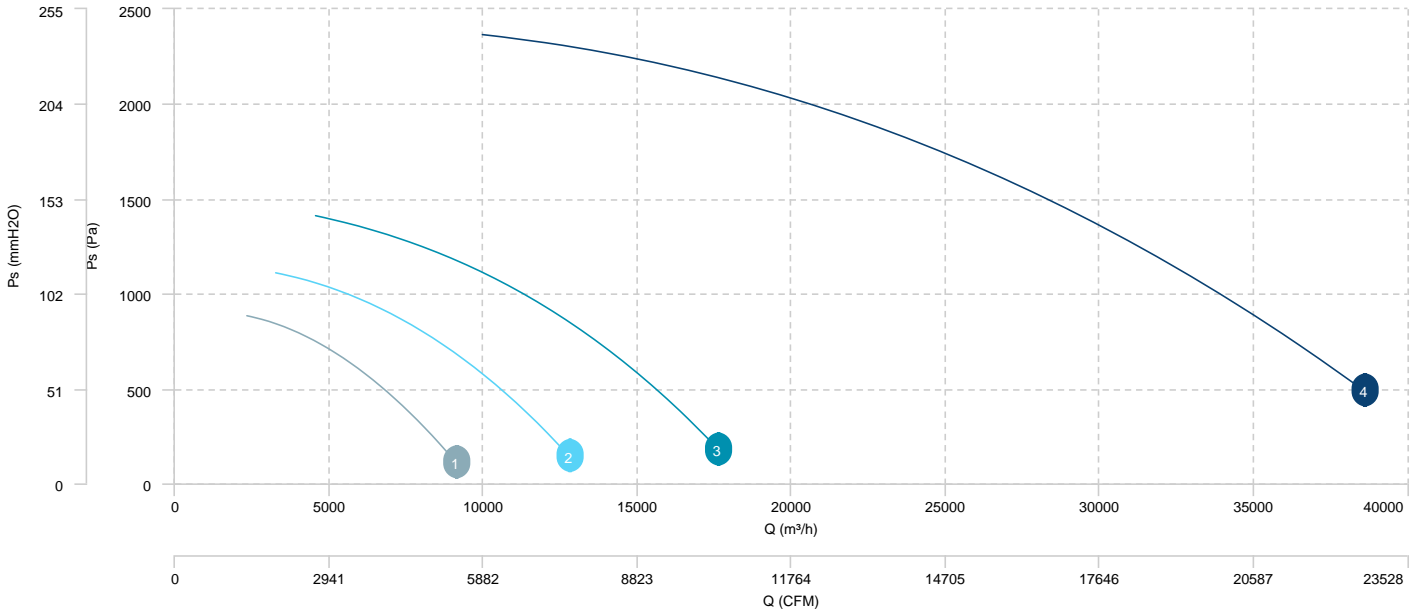
AIR FLOW - ABSORBED POWER



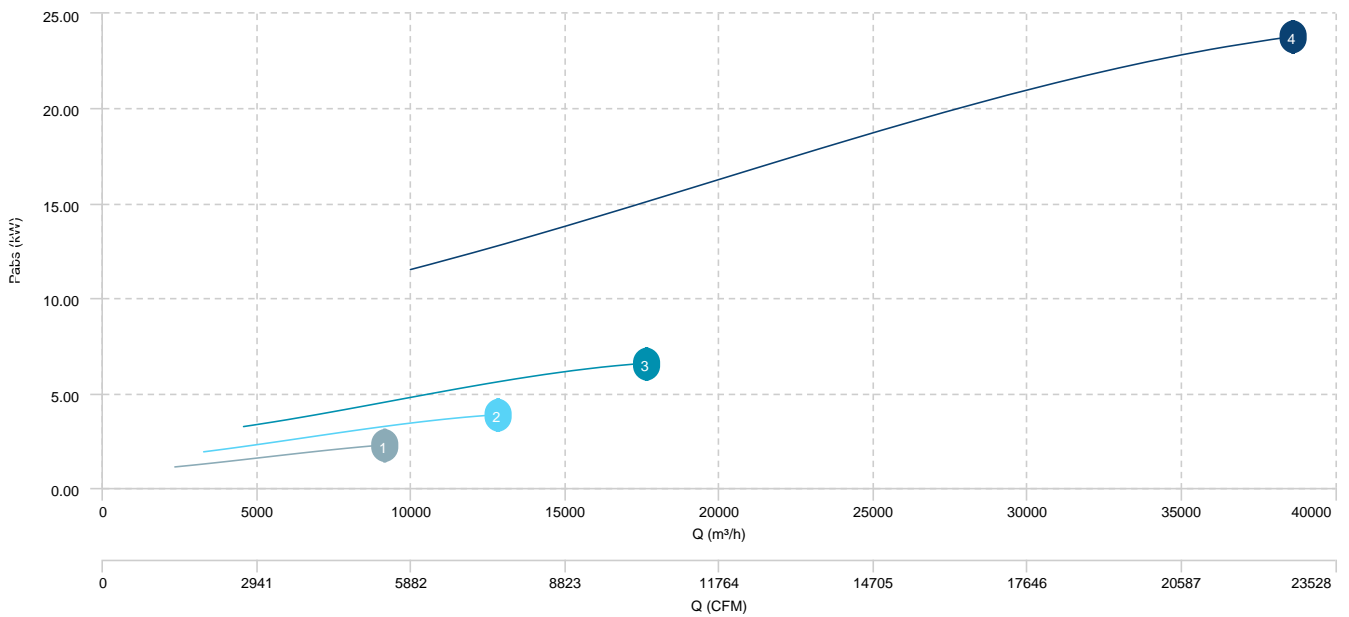
CENTRIFUGAL FANS: MEDIUM PRESSURE

- 1 MBPN 50 T4 2,2kW
- 2 MBPN 56 T4 4kW
- 3 MBPN 63 T4 5,5kW
- 4 MBPN 80 T4 22kW

AIR FLOW - PRESSURE



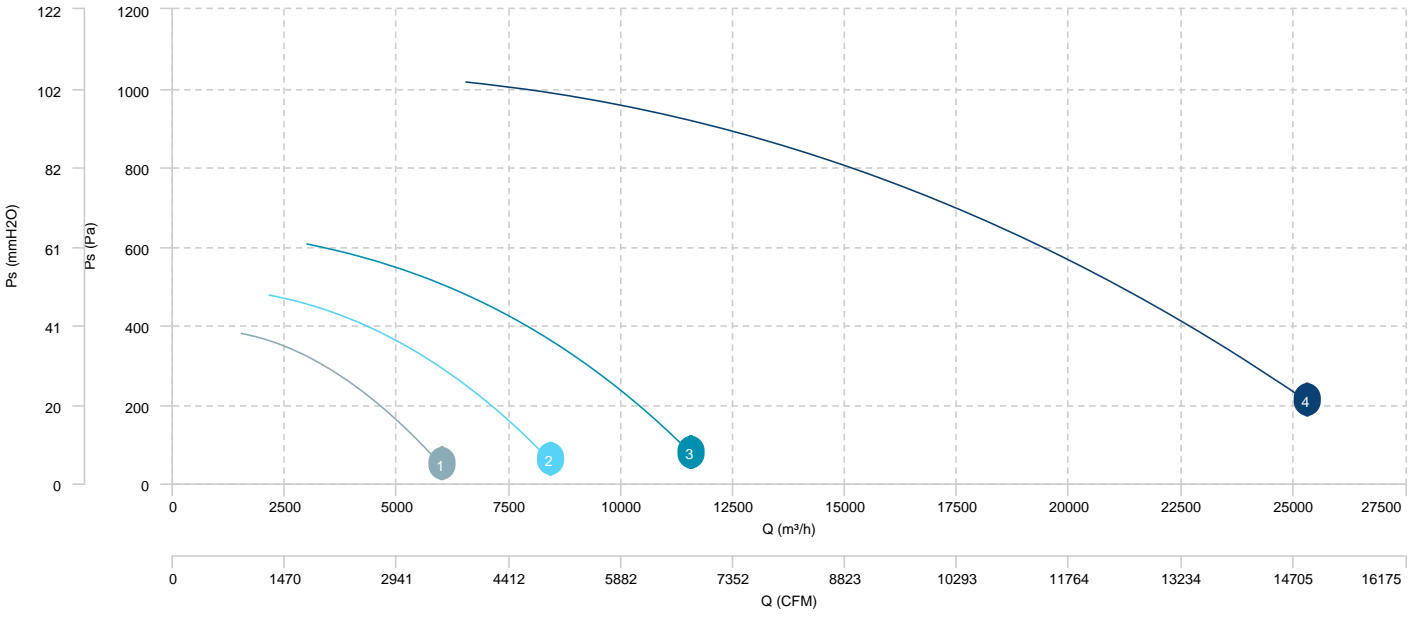
AIR FLOW - ABSORBED POWER



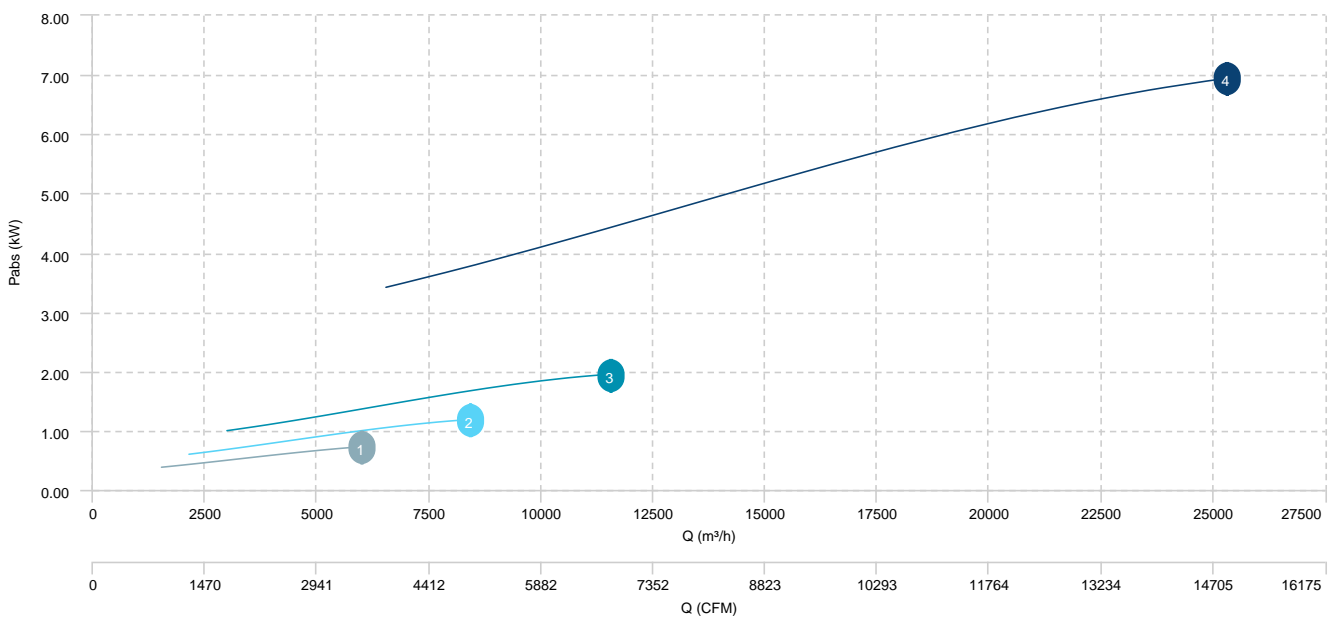
CENTRIFUGAL FANS: MEDIUM PRESSURE

- 1 MBPN 50 T6 0,55kW
- 2 MBPN 56 T6 1,1kW
- 3 MBPN 63 T6 2,2kW
- 4 MBPN 80 T6 7,5kW

AIR FLOW - PRESSURE



AIR FLOW - ABSORBED POWER



Sound data

Sound / 2 poles

Sound power Lw dB (A)										
Model		63 Hz	125 Hz	250 Hz	500 Hz	1000 Hz	2000 Hz	4000 Hz	8000 Hz	Total
MBPN 45 T2 7,5kW	Inlet	86	98	103	110	109	105	97	87	114

Sound / 4 poles

Sound power Lw dB (A)										
Model		63 Hz	125 Hz	250 Hz	500 Hz	1000 Hz	2000 Hz	4000 Hz	8000 Hz	Total
MBPN 50 T4 2,2kW	Inlet	74	86	95	95	97	94	85	75	102
MBPN 56 T4 4kW	Inlet	74	86	94	95	97	93	85	75	102
MBPN 63 T4 5,5kW	Inlet	74	86	94	95	97	93	85	75	102
MBPN 80 T4 22kW	Inlet	76	86	95	96	98	94	86	84	103

Sound / 6 poles

Sound power Lw dB (A)										
Model		63 Hz	125 Hz	250 Hz	500 Hz	1000 Hz	2000 Hz	4000 Hz	8000 Hz	Total
MBPN 50 T6 0,55kW	Inlet	65	77	85	86	88	84	76	66	93
MBPN 56 T6 1,1kW	Inlet	64	76	85	85	88	84	76	65	92
MBPN 63 T6 2,2kW	Inlet	64	76	85	85	87	84	75	65	92
MBPN 80 T6 7,5kW	Inlet	66	76	85	86	88	84	76	74	93