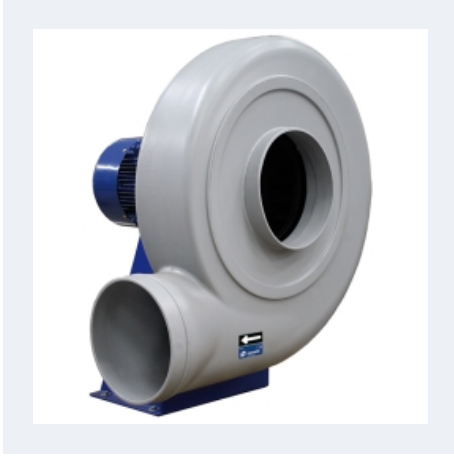


## MBPC



### MEDIUM PRESSURE FAN WITH FORWARD IMPELLER AND IN PLASTIC CONSTRUCTION

#### MANUFACTURING FEATURES:

- Housing made of PP plastic (for models size 35 and equal to or greater than size 45) other models PE casing
- Forward curved impeller in PP plastic.
- Motor support made of rolled steel sheet with polyester powder finishing coat.
- Stainless steel nuts and bolts.
- Standard asynchronous squirrel-cage motor, IP-55, class F insulation. Standard voltages 230/400V 50Hz.

- Available positions (to be indicated in case of order): LG270, LG0, LG45, LG90, LG135, LG180, LG225, LG315, RD0, RD45, RD90, RD135, RD180, RD225, RD270, RD315.
- The indicated codes correspond to the model in position LG270

## Accessories



#### APPLICATIONS:

Designed for inline installation, they are suitable for:

- Corrosive air transport.
- Chemical and petrochemical industry.
- Laboratories and gas cabinets.
- Maximum temperature of transported air: If it is clean air 70°C, other depends on the gas (see table in documentation)

#### UNDER REQUEST:

- Single phase motors (up to 1,1kW).
- 60Hz fans and special voltages fans.
- 2 speed motors.
- Stainless steel motor support.
- Casing made of PP (for models taht is not a standard material).

## Technical data

### Three-phase motor / 2 poles

Code	Model	R.P.M.	Rated I. A		Rated power kW	Max. Airflow m <sup>3</sup> /h	Sound db (A)**	Weight kg	Connect. diagram
			230V	400V					
502302014	MBPC 20 T2 0,25kW	2710	1,2	0,71	0,25	610	63	10	1
502302517	MBPC 25 T2 0,75kW	2840	3,00	1,75	0,75	1.220	68	17	1
502302818	MBPC 28 T2 1,1kW	2850	4,2	2,42	1,10	1.690	73	20	1
502303119	MBPC 31 T2 1,5kW	2850	5,5	3,2	1,50	2.710	74	31	1
502303527	MBPC 35 T2 2,2kW	2860	7,9	4,54	2,20	2.710	76	50	1
502304032	MBPC 40 T2 4kW	2880	13,3	7,63	4,00	4.090	79	47	1
502304034	MBPC 40 T2 5,5kW	2910	-	10,6	5,50	5.600	79	50	1

### Three-phase motor / 4 poles

Code	Model	R.P.M.	Rated I. A		Rated power kW	Max. Airflow m <sup>3</sup> /h	Sound db (A)**	Weight kg	Connect. diagram
			230V	400V					
502302039	MBPC 20 T4 0,12kW	1360	1,00	0,55	0,12	310	47	9	1
502302540	MBPC 25 T4 0,18kW	1310	1,2	0,7	0,18	630	53	13	1
502302840	MBPC 28 T4 0,18kW	1310	1,2	0,7	0,18	860	58	16	1
502303141	MBPC 31 T4 0,25kW	1350	1,4	0,8	0,25	1.510	58	24	1
502303542	MBPC 35 T4 0,37kW	1370	1,9	1,1	0,37	2.110	61	40	1
502304044	MBPC 40 T4 0,75kW	1410	3,1	1,79	0,75	2.550	64	31	1
502304545	MBPC 45 T4 1,5kW	1420	5,7	3,31	1,50	3.900	66	65	1
502305054	MBPC 50 T4 2,2kW	1440	8,4	4,83	2,20	5.250	75	70	1
502305661	MBPC 56 T4 5,5kW	1450	-	10,9	5,50	8.990	77	110	1
502306363	MBPC 63 T4 7,5kW	1440	-	15,00	7,50	12.380	84	112	1

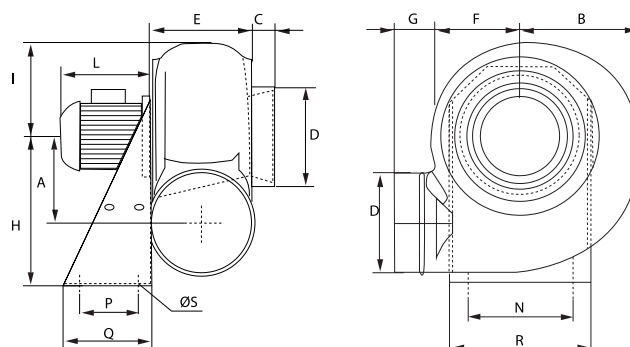
### Three-phase motor / 6 poles

Code	Model	R.P.M.	Rated I. A		Rated power kW	Max. Airflow m <sup>3</sup> /h	Sound db (A)**	Weight kg	Connect. diagram
			230V	400V					
502303167	MBPC 31 T6 0,12kW	850	1,1	0,62	0,12	990	58	20	1
502304069	MBPC 40 T6 0,25kW	900	1,5	0,87	0,25	1.670	53	28	1
502305072	MBPC 50 T6 0,75kW	925	3,5	2,01	0,75	3.440	63	62	1
502305678	MBPC 56 T6 2,2kW	945	8,9	5,12	2,20	5.890	66	87	1
502306380	MBPC 63 T6 3kW	960	12,4	7,2	3,00	7.682	72	110	1

#### Notes:

\*\* Total sound pressure level at the point of maximum flow measured in dB(A) in the suction measured in free field at a distance of 6m from the source

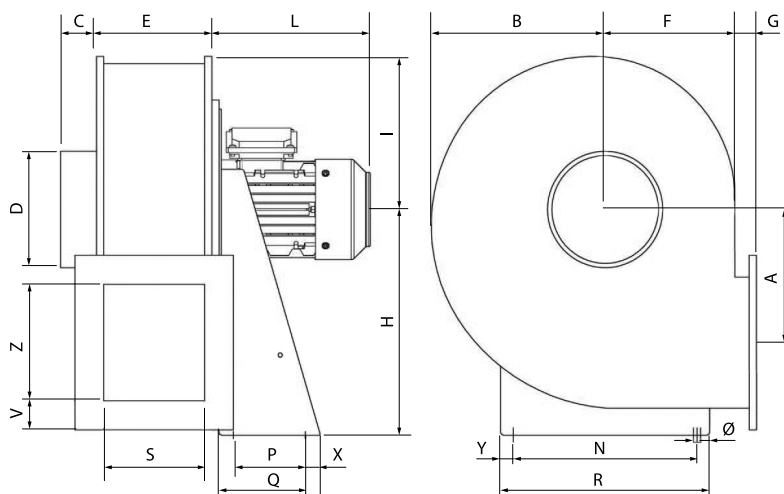
## Dimensions



Model	A	B	C	DØ	E	F	G	H	I
MBPC 20 T2 0,25kW	142	187	40	125	120	150	60	250	165
MBPC 20 T4 0,12kW	142	187	40	125	120	150	60	250	165
MBPC 25 T2 0,75kW	183	228	40	160	153	188	60	310	210
MBPC 25 T4 0,18kW	183	228	40	160	153	188	60	310	210
MBPC 28 T2 1,1kW	208	274	40	180	160	204	60	350	230
MBPC 28 T4 0,18kW	208	274	40	180	160	204	60	350	230
MBPC 31 T2 1,5kW	230	310	40	200	170	220	60	410	245
MBPC 31 T4 0,25kW	230	310	40	200	170	220	60	410	245
MBPC 31 T6 0,12kW	230	310	40	200	170	220	60	410	245
MBPC 40 T2 4kW	290	380	40	250	194	265	80	495	330
MBPC 40 T2 5,5kW	290	380	40	250	194	265	80	495	330
MBPC 40 T4 0,75kW	290	380	40	250	194	265	80	495	330
MBPC 40 T6 0,25kW	290	380	40	250	194	265	80	495	330

Model	L	N	P	Q	R	ØS
MBPC 20 T2 0,25kW	195	200	100	140	235	11
MBPC 20 T4 0,12kW	190	200	100	140	235	11
MBPC 25 T2 0,75kW	220	255	100	140	290	11
MBPC 25 T4 0,18kW	190	255	100	140	290	11
MBPC 28 T2 1,1kW	190	277	120	190	316	11
MBPC 28 T4 0,18kW	240	277	120	190	316	11
MBPC 31 T2 1,5kW	290	320	150	230	355	11
MBPC 31 T4 0,25kW	210	320	150	230	355	11
MBPC 31 T6 0,12kW	210	320	150	230	355	11
MBPC 40 T2 4kW	325	330	270	315	365	11

Model	L	N	P	Q	R	ØS
MBPC 40 T2 5,5kW	365	330	270	315	365	11
MBPC 40 T4 0,75kW	240	330	170	250	365	11
MBPC 40 T6 0,25kW	220	330	170	250	365	11

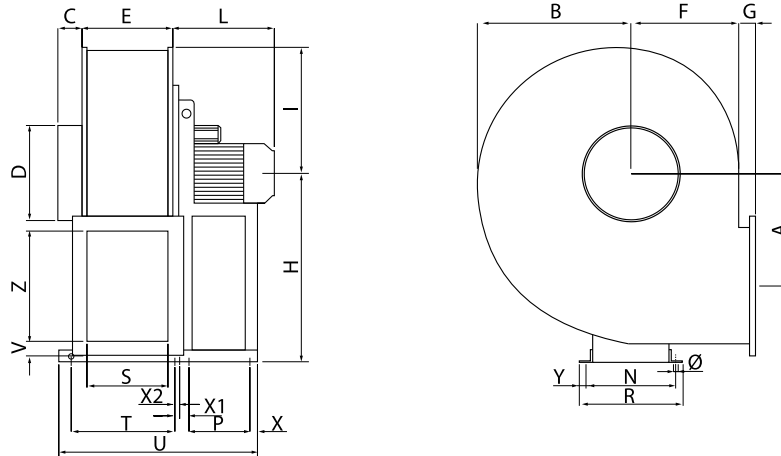


Model	A	B	C	D	E	F	G	H	I
MBPC 35 T2 2,2kW	275	328	50	225	185	230	40	445	285
MBPC 35 T4 0,37kW	275	328	50	225	185	230	40	445	285
MBPC 45 T4 1,5kW	292	382	50	280	280	340	40	550	350

Model	L	N	P	Q	R	S	V	X	Y
MBPC 35 T2 2,2kW	290	355	150	230	390	175	40	40	17.5
MBPC 35 T4 0,37kW	220	355	150	230	390	175	40	40	17.5
MBPC 45 T4 1,5kW	290	370	170	250	410	210	40	40	20

Model	Z	Ø
MBPC 35 T2 2,2kW	250	11
MBPC 35 T4 0,37kW	250	11
MBPC 45 T4 1,5kW	300	11

**CENTRIFUGAL FANS: MEDIUM PRESSURE**



Model	A	B	C	D	E	F	G	H	I
MBPC 50 T4 2,2kW	377	390	80	315	280	450	50	630	395
MBPC 50 T6 0,75kW	377	390	80	315	280	450	50	630	395
MBPC 56 T4 5,5kW	416	560	80	400	330	388	50	710	445
MBPC 56 T6 2,2kW	416	560	80	400	330	388	50	710	445
MBPC 63 T4 7,5kW	406	573	80	450	350	418	50	800	492
MBPC 63 T6 3kW	406	573	80	450	350	418	50	800	492

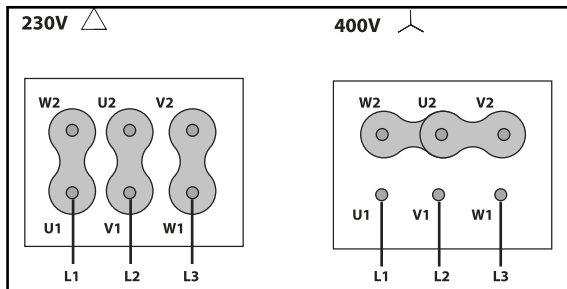
Model	L	N	P	R	S	T	U	V	X
MBPC 50 T4 2,2kW	300	289	237	325	260	390	730	50	25
MBPC 50 T6 0,75kW	250	289	237	325	260	390	730	50	25
MBPC 56 T4 5,5kW	340	445	270	481	310	454	994	50	25
MBPC 56 T6 2,2kW	330	289	270	325	310	454	827	50	25
MBPC 63 T4 7,5kW	420	337	270	373	330	400	773	50	25
MBPC 63 T6 3kW	340	337	270	373	330	400	773	50	25

Model	X1	X2	Y	Z	Ø
MBPC 50 T4 2,2kW	28	25	18	365	14
MBPC 50 T6 0,75kW	28	25	18	365	14
MBPC 56 T4 5,5kW	38	15	18	460	14
MBPC 56 T6 2,2kW	38	15	18	460	14
MBPC 63 T4 7,5kW	40	15	18	480	14
MBPC 63 T6 3kW	40	15	18	480	14

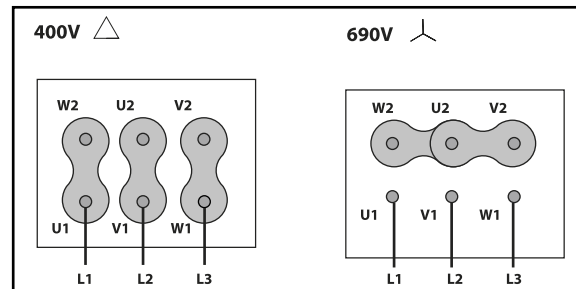
## Wiring diagram

### Wiring diagram N° 1

230/400V



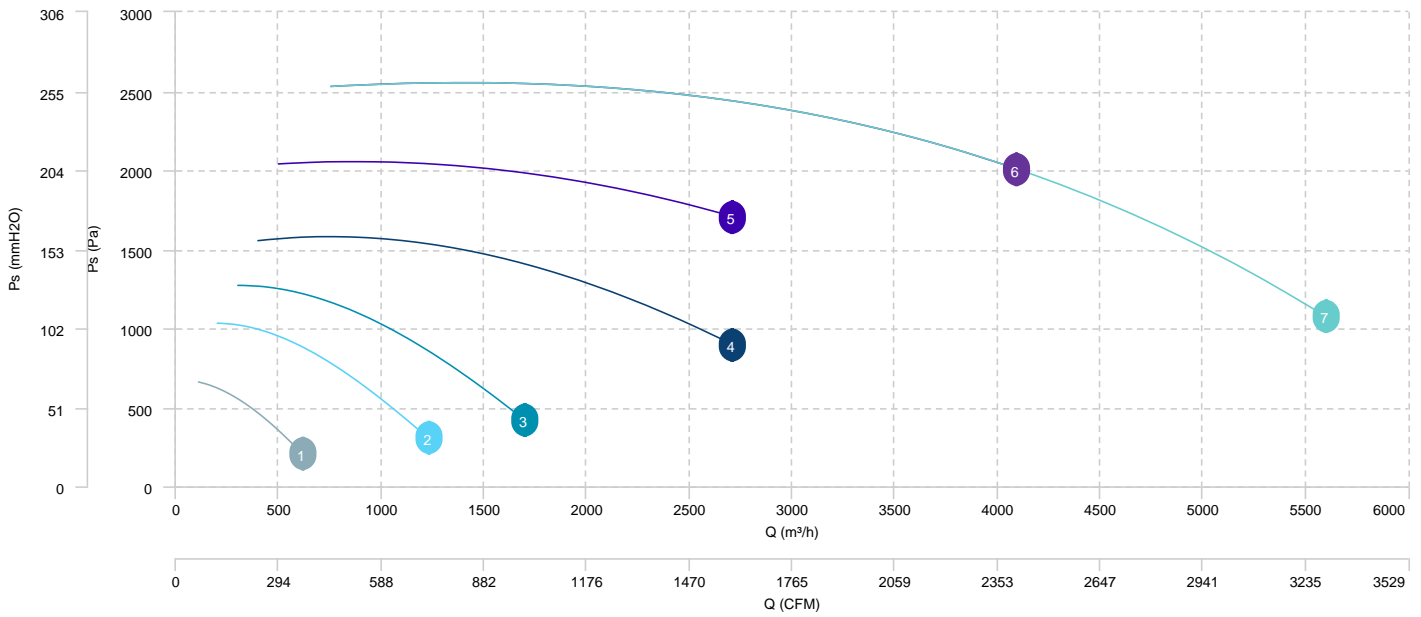
400/690V



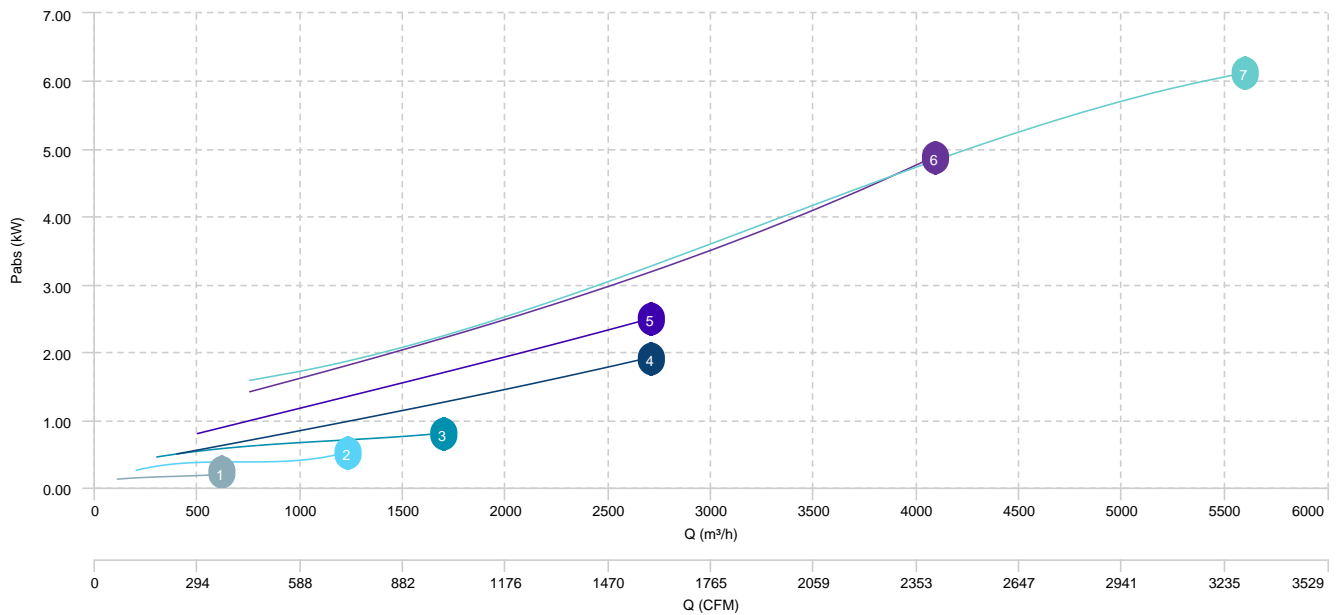
## CHARACTERISTIC CURVE

1 MBPC 20 T2 0,25kW	2 MBPC 25 T2 0,75kW	3 MBPC 28 T2 1,1kW	4 MBPC 31 T2 1,5kW
5 MBPC 35 T2 2,2kW	6 MBPC 40 T2 4kW	7 MBPC 40 T2 5,5kW	

### AIR FLOW - PRESSURE



### AIR FLOW - ABSORBED POWER

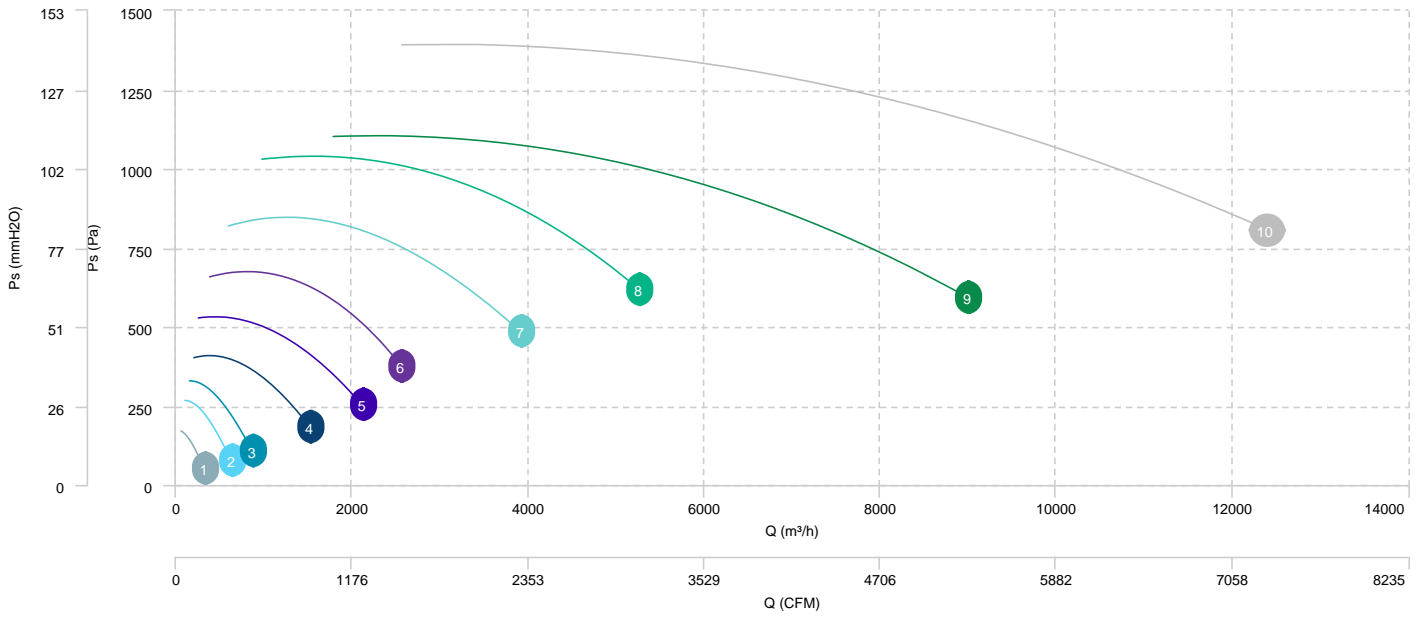




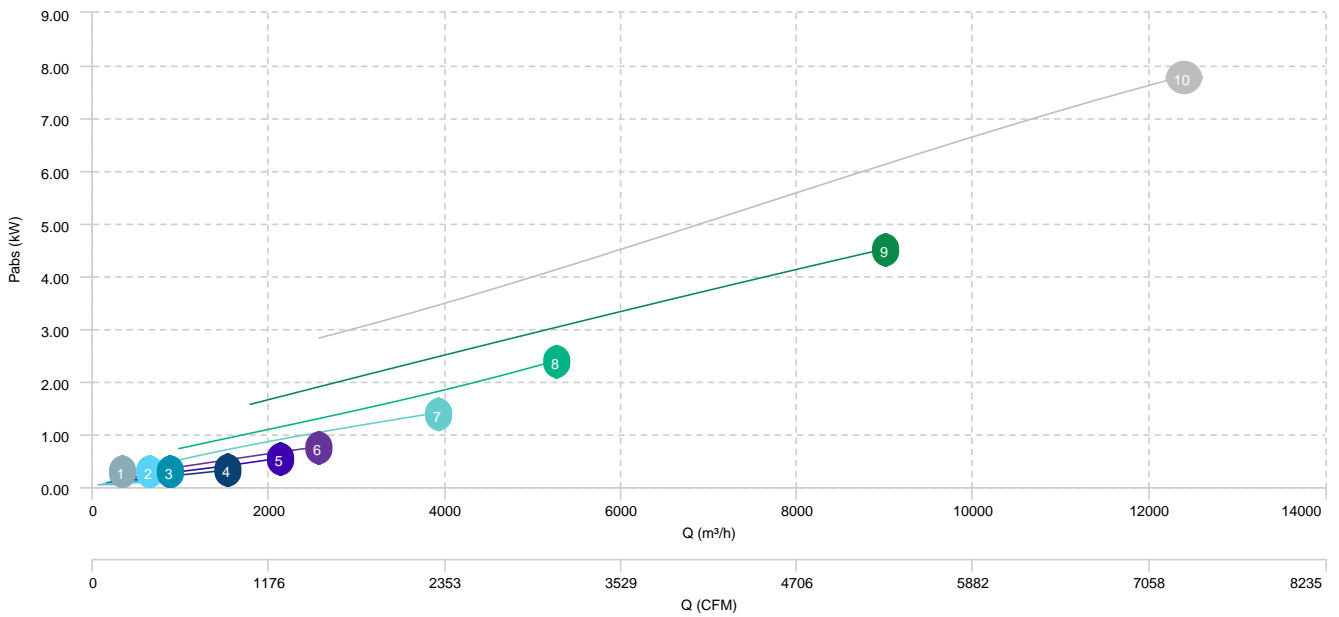
**CENTRIFUGAL FANS: MEDIUM PRESSURE**

1 MBPC 20 T4 0,12kW	2 MBPC 25 T4 0,18kW	3 MBPC 28 T4 0,18kW	4 MBPC 31 T4 0,25kW
5 MBPC 35 T4 0,37kW	6 MBPC 40 T4 0,75kW	7 MBPC 45 T4 1,5kW	8 MBPC 50 T4 2,2kW
9 MBPC 56 T4 5,5kW	10 MBPC 63 T4 7,5kW		

**AIR FLOW - PRESSURE**



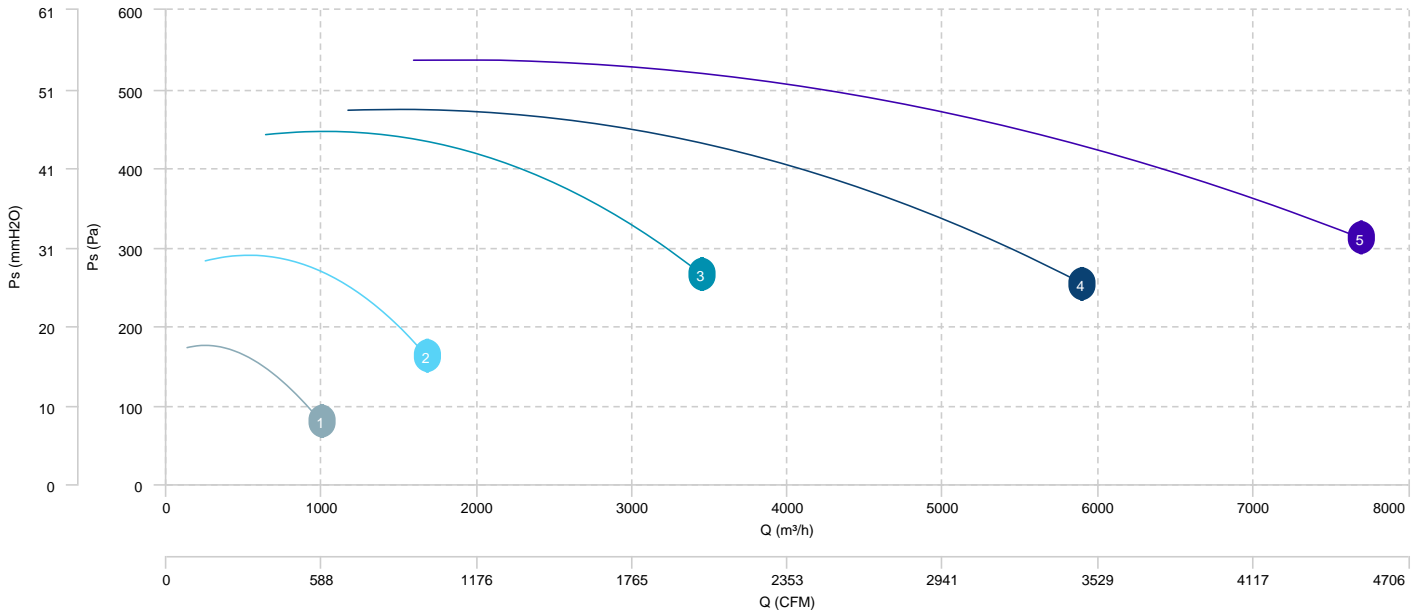
**AIR FLOW - ABSORBED POWER**



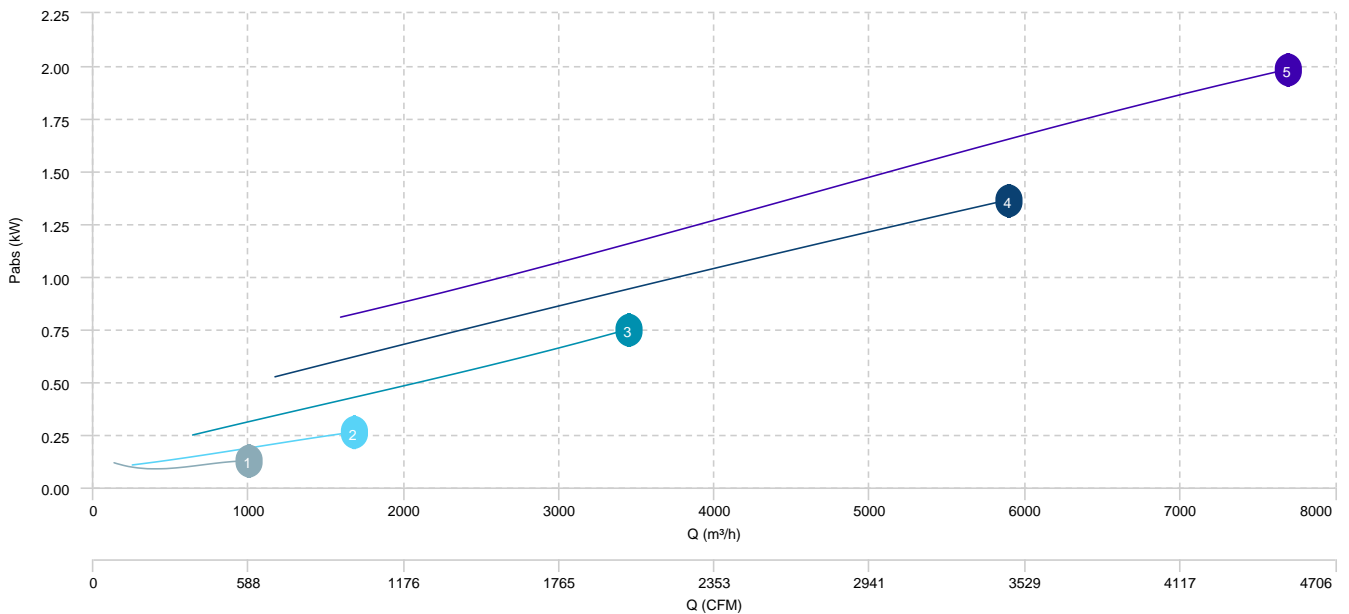
**CENTRIFUGAL FANS: MEDIUM PRESSURE**

- 1 MBPC 31 T6 0,12kW
- 2 MBPC 40 T6 0,25kW
- 3 MBPC 50 T6 0,75kW
- 4 MBPC 56 T6 2,2kW
- 5 MBPC 63 T6 3kW

**AIR FLOW - PRESSURE**



**AIR FLOW - ABSORBED POWER**



## Sound data

### Sound / 2 poles

Sound power Lw dB (A)										
Model		63 Hz	125 Hz	250 Hz	500 Hz	1000 Hz	2000 Hz	4000 Hz	8000 Hz	Total
MBPC 20 T2 0,25kW	Inlet	60	72	78	81	87	80	72	61	89
MBPC 25 T2 0,75kW	Inlet	66	78	83	87	92	85	77	67	94
MBPC 28 T2 1,1kW	Inlet	70	83	88	91	97	90	82	72	99
MBPC 31 T2 1,5kW	Inlet	71	83	89	92	97	91	82	72	100
MBPC 35 T2 2,2kW	Inlet	73	85	91	94	100	93	85	74	102
MBPC 40 T2 4kW	Inlet	77	89	94	98	103	96	88	78	105
MBPC 40 T2 5,5kW	Inlet	77	89	94	98	103	96	88	78	105

### Sound / 4 poles

Sound power Lw dB (A)										
Model		63 Hz	125 Hz	250 Hz	500 Hz	1000 Hz	2000 Hz	4000 Hz	8000 Hz	Total
MBPC 20 T4 0,12kW	Inlet	45	57	63	69	69	65	57	46	73
MBPC 25 T4 0,18kW	Inlet	51	63	69	75	74	70	62	52	79
MBPC 28 T4 0,18kW	Inlet	55	68	73	79	79	75	67	57	84
MBPC 31 T4 0,25kW	Inlet	56	68	74	80	79	76	67	57	84
MBPC 35 T4 0,37kW	Inlet	58	71	76	82	82	78	70	60	87
MBPC 40 T4 0,75kW	Inlet	62	74	79	86	85	81	73	63	90
MBPC 45 T4 1,5kW	Inlet	64	76	81	88	87	83	75	65	92
MBPC 50 T4 2,2kW	Inlet	93	95	93	94	90	85	77	69	101
MBPC 56 T4 5,5kW	Inlet	95	97	95	96	92	87	79	71	103
MBPC 63 T4 7,5kW	Inlet	84	93	99	105	104	101	92	82	110

### Sound / 6 poles

Sound power Lw dB (A)										
Model		63 Hz	125 Hz	250 Hz	500 Hz	1000 Hz	2000 Hz	4000 Hz	8000 Hz	Total
MBPC 31 T6 0,12kW	Inlet	56	68	74	80	79	76	67	57	84
MBPC 40 T6 0,25kW	Inlet	51	63	72	72	74	71	62	52	79
MBPC 50 T6 0,75kW	Inlet	82	84	82	83	79	74	66	58	89
MBPC 56 T6 2,2kW	Inlet	85	87	85	86	82	77	69	61	92
MBPC 63 T6 3kW	Inlet	70	82	91	91	94	90	82	71	98