

MBPV ATEX



ATEX ROOF FAN WITH BACKWARD IMPELLER AND PLASTIC CONSTRUCTION

MANUFACTURING FEATURES:

- PE-el moulded housing and base (until size 45) and PP-el welded housing and base (for upper models).
- Backward impeller with self-cleaning system in PP welded plastic.
- Stainless steel nuts and bolts.
- Standard asynchronous squirrel-cage motor, IP-55, class F insulation. Standard voltages 230/400V 50Hz for motors until 4kW and 400/690V 50Hz for higher motors. Equipped with ATEX motor.

APPLICATIONS:

Designed for roof installation, they are suitable for:

- Corrosive air transport.
- Chemical and petrochemical industry.
- Laboratories and gas cabinets.
- General ventilation in closed environments classified as ATEX zone 2.
- Maximum temperature of transported air: If it is clean air 70°C, other depends on the gas (see table in documentation)

UNDER REQUEST:

- Single phase motors (up to 1,1Kw).
- 60Hz fans and special voltages fans.
- 2 speed motors.

Accessories



AD



BA-400



CSC



FJ



**INT
ATEX**



RPI



SFC

Technical data

Three-phase motor / 2 poles

| Code | Model | R.P.M. | Rated I. A | | Rated power kW | Max. Airflow m ³ /h | Sound db (A)** | Weight kg | Connect. diagram |
|-------------|------------------------|--------|---------------|------|-------------------|--------------------------------------|-------------------|--------------|---------------------|
| | | | 230V | 400V | | | | | |
| 510602013XD | MBPV 20 T2 0,18kW ATEX | 2800 | 0,87 | 0,51 | 0,18 | 1.050 | 64 | 10 | 1 |
| 510602515XD | MBPV 25 T2 0,37kW ATEX | 2800 | 1,58 | 0,91 | 0,37 | 1.750 | 74 | 13 | 1 |
| 510603119XD | MBPV 31 T2 1,5kW ATEX | 2865 | 5,83 | 3,14 | 1,50 | 4.050 | 80 | 33 | 1 |
| 510603527XD | MBPV 35 T2 2,2kW ATEX | 2840 | 7,97 | 4,58 | 2,20 | 5.900 | 83 | 35 | 1 |

Three-phase motor / 4 poles

| Code | Model | R.P.M. | Rated I. A | | Rated power kW | Max. Airflow m ³ /h | Sound db (A)** | Weight kg | Connect. diagram |
|-------------|------------------------|--------|---------------|------|-------------------|--------------------------------------|-------------------|--------------|---------------------|
| | | | 230V | 400V | | | | | |
| 510602039XD | MBPV 20 T4 0,12kW ATEX | 1400 | 0,8 | 0,46 | 0,12 | 575 | 49 | 10 | 1 |
| 510602539XD | MBPV 25 T4 0,12kW ATEX | 1400 | 0,8 | 0,46 | 0,12 | 1.025 | 58 | 13 | 1 |
| 510603141XD | MBPV 31 T4 0,25kW ATEX | 1400 | 1,38 | 0,79 | 0,25 | 2.000 | 64 | 26 | 1 |
| 510603542XD | MBPV 35 T4 0,37kW ATEX | 1370 | 1,86 | 1,07 | 0,37 | 3.250 | 67 | 26 | 1 |
| 510604545XD | MBPV 45 T4 1,1kW ATEX | 1450 | 4,33 | 2,49 | 1,10 | 6.000 | 71 | 48 | 1 |
| 510605054XD | MBPV 50 T4 2,2kW ATEX | 1435 | 8,07 | 4,64 | 2,20 | 9.000 | 74 | 90 | 1 |
| 510605659XD | MBPV 56 T4 4kW ATEX | 1440 | 14,5 | 8,32 | 4,00 | 12.900 | 74 | 150 | 1 |
| 510606361XD | MBPV 63 T4 5,5kW ATEX | 1460 | - | 10,5 | 5,50 | 17.600 | 76 | 150 | 1 |
| 510607149XD | MBPV 71 T4 11kW ATEX | 1455 | - | 21,2 | 11,00 | 22.500 | 74 | 180 | 1 |

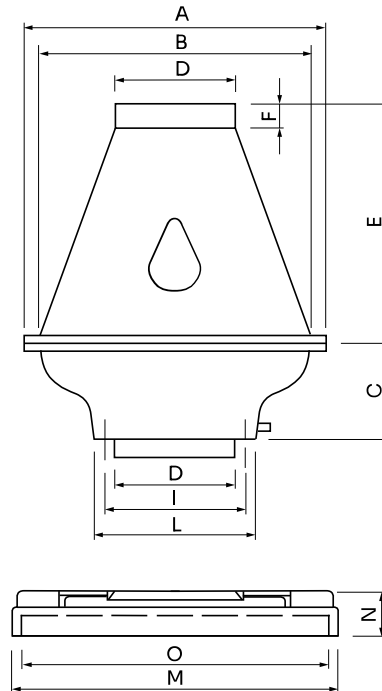
Three-phase motor / 6 poles

| Code | Model | R.P.M. | Rated I. A | | Rated power kW | Max. Airflow m ³ /h | Sound db (A)** | Weight kg | Connect. diagram |
|-------------|------------------------|--------|---------------|------|-------------------|--------------------------------------|-------------------|--------------|---------------------|
| | | | 230V | 400V | | | | | |
| 510603568XD | MBPV 35 T6 0,18kW ATEX | 900 | 1,26 | 0,72 | 0,18 | 2.000 | 57 | 26 | 1 |
| 510604570XD | MBPV 45 T6 0,37kW ATEX | 900 | 2,2 | 1,27 | 0,37 | 3.750 | 61 | 40 | 1 |
| 510605071XD | MBPV 50 T6 0,55kW ATEX | 900 | 3,00 | 1,8 | 0,55 | 5.900 | 64 | 82 | 1 |
| 510605673XD | MBPV 56 T6 1,1kW ATEX | 925 | 4,83 | 2,78 | 1,10 | 8.250 | 68 | 150 | 1 |
| 510606378XD | MBPV 63 T6 2,2kW ATEX | 965 | 10,3 | 5,94 | 2,20 | 11.500 | 66 | 180 | 1 |
| 510607183XD | MBPV 71 T6 4kW ATEX | 960 | 16,5 | 9,46 | 4,00 | 15.000 | 64 | 150 | 1 |
| 510608087XD | MBPV 80 T6 7,5kW ATEX | 965 | - | 15,2 | 7,50 | 25.000 | 67 | 220 | 1 |

Notes:

** Total sound pressure level at the point of maximum flow measured in dB(A) in the suction measured in free field at a distance of 6m from the source

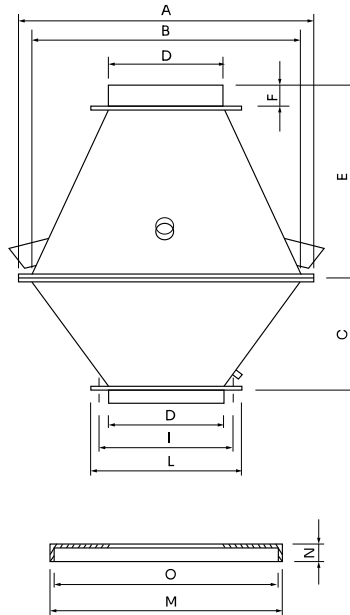
Dimensions



| Model | A | B | C | D | E | F | I | L | M |
|------------------------|-----|-----|-----|-----|-----|----|-----|-----|-----|
| MBPV 20 T2 0,18kW ATEX | 400 | 350 | 145 | 160 | 420 | 40 | 200 | 240 | 540 |
| MBPV 20 T4 0,12kW ATEX | 400 | 350 | 145 | 160 | 420 | 40 | 200 | 240 | 540 |
| MBPV 25 T2 0,37kW ATEX | 500 | 450 | 185 | 200 | 460 | 50 | 230 | 265 | 540 |
| MBPV 25 T4 0,12kW ATEX | 500 | 450 | 185 | 200 | 460 | 50 | 230 | 265 | 540 |
| MBPV 31 T2 1,5kW ATEX | 600 | 560 | 240 | 280 | 600 | 50 | 325 | 365 | 540 |
| MBPV 31 T4 0,25kW ATEX | 600 | 560 | 240 | 280 | 600 | 50 | 325 | 365 | 540 |
| MBPV 35 T2 2,2kW ATEX | 600 | 560 | 240 | 280 | 600 | 50 | 325 | 365 | 540 |
| MBPV 35 T4 0,37kW ATEX | 600 | 560 | 240 | 280 | 600 | 50 | 325 | 365 | 540 |
| MBPV 35 T6 0,18kW ATEX | 600 | 560 | 240 | 280 | 600 | 50 | 325 | 365 | 540 |
| MBPV 45 T4 1,1kW ATEX | 800 | 730 | 280 | 355 | 700 | 50 | 405 | 450 | 750 |
| MBPV 45 T6 0,37kW ATEX | 800 | 730 | 280 | 355 | 700 | 50 | 405 | 450 | 750 |

| Model | N | Nº | O |
|------------------------|----|----|-----|
| MBPV 20 T2 0,18kW ATEX | 80 | 6 | 490 |
| MBPV 20 T4 0,12kW ATEX | 80 | 6 | 490 |
| MBPV 25 T2 0,37kW ATEX | 80 | 8 | 490 |
| MBPV 25 T4 0,12kW ATEX | 80 | 8 | 490 |
| MBPV 31 T2 1,5kW ATEX | 80 | 8 | 490 |
| MBPV 31 T4 0,25kW ATEX | 80 | 8 | 490 |
| MBPV 35 T2 2,2kW ATEX | 80 | 8 | 490 |

| Model | N | Nº | O |
|------------------------|-----|----|-----|
| MBPV 35 T4 0,37kW ATEX | 80 | 8 | 490 |
| MBPV 35 T6 0,18kW ATEX | 80 | 8 | 490 |
| MBPV 45 T4 1,1kW ATEX | 100 | 8 | 700 |
| MBPV 45 T6 0,37kW ATEX | 100 | 8 | 700 |



| Model | A | B | C | D | E | F | I | L | M |
|------------------------|------|------|-----|-----|------|----|-----|-----|------|
| MBPV 50 T4 2,2kW ATEX | 1000 | 900 | 400 | 400 | 700 | 80 | 510 | 550 | 800 |
| MBPV 50 T6 0,55kW ATEX | 1000 | 900 | 400 | 400 | 700 | 80 | 510 | 550 | 800 |
| MBPV 56 T4 4kW ATEX | 1150 | 1050 | 430 | 450 | 800 | 80 | 560 | 600 | 900 |
| MBPV 56 T6 1,1kW ATEX | 1150 | 1050 | 430 | 450 | 800 | 80 | 560 | 600 | 900 |
| MBPV 63 T4 5,5kW ATEX | 1300 | 1200 | 450 | 500 | 900 | 80 | 610 | 650 | 1000 |
| MBPV 63 T6 2,2kW ATEX | 1300 | 1200 | 450 | 500 | 900 | 80 | 610 | 650 | 1000 |
| MBPV 71 T4 11kW ATEX | 1350 | 1270 | 500 | 600 | 1000 | 80 | 710 | 750 | 1100 |
| MBPV 71 T6 4kW ATEX | 1350 | 1270 | 500 | 600 | 1000 | 80 | 710 | 750 | 1100 |
| MBPV 80 T6 7,5kW ATEX | 1600 | 1500 | 520 | 700 | 1300 | 80 | 810 | 850 | 1200 |

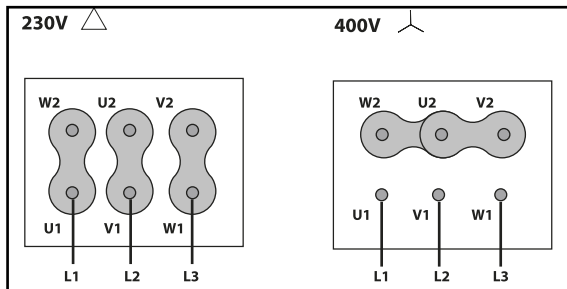
| Model | N | Nº | O |
|------------------------|----|----|------|
| MBPV 50 T4 2,2kW ATEX | 70 | 10 | 750 |
| MBPV 50 T6 0,55kW ATEX | 70 | 10 | 750 |
| MBPV 56 T4 4kW ATEX | 70 | 10 | 850 |
| MBPV 56 T6 1,1kW ATEX | 70 | 10 | 850 |
| MBPV 63 T4 5,5kW ATEX | 70 | 10 | 1050 |

| Model | N | Nº | O |
|-----------------------|----|----|------|
| MBPV 63 T6 2,2kW ATEX | 70 | 10 | 1050 |
| MBPV 71 T4 11kW ATEX | 70 | 10 | 1050 |
| MBPV 71 T6 4kW ATEX | 70 | 10 | 1050 |
| MBPV 80 T6 7,5kW ATEX | 70 | 10 | 1150 |

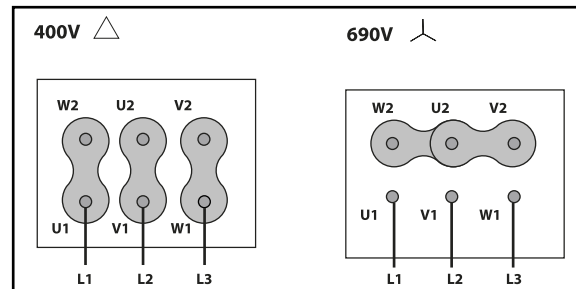
Wiring diagram

Wiring diagram N° 1

230/400V



400/690V



CHARACTERISTIC CURVE

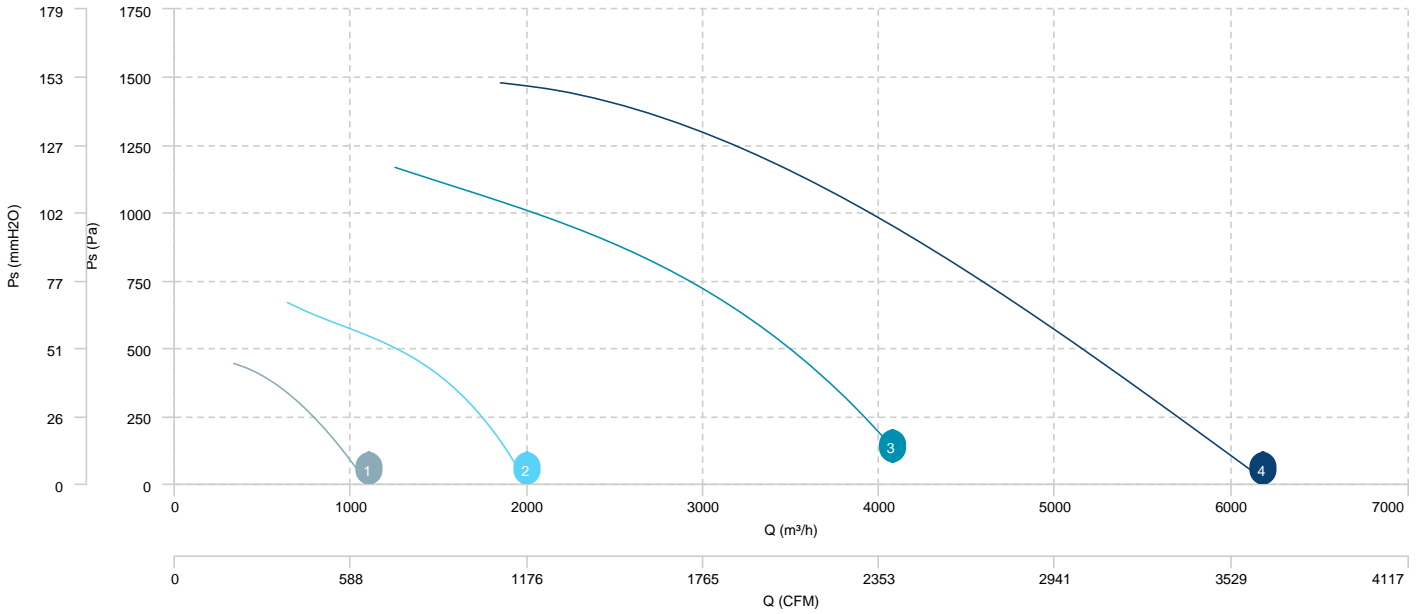
1 MBPV 20 T2 0,18kW ATEX

2 MBPV 25 T2 0,37kW ATEX

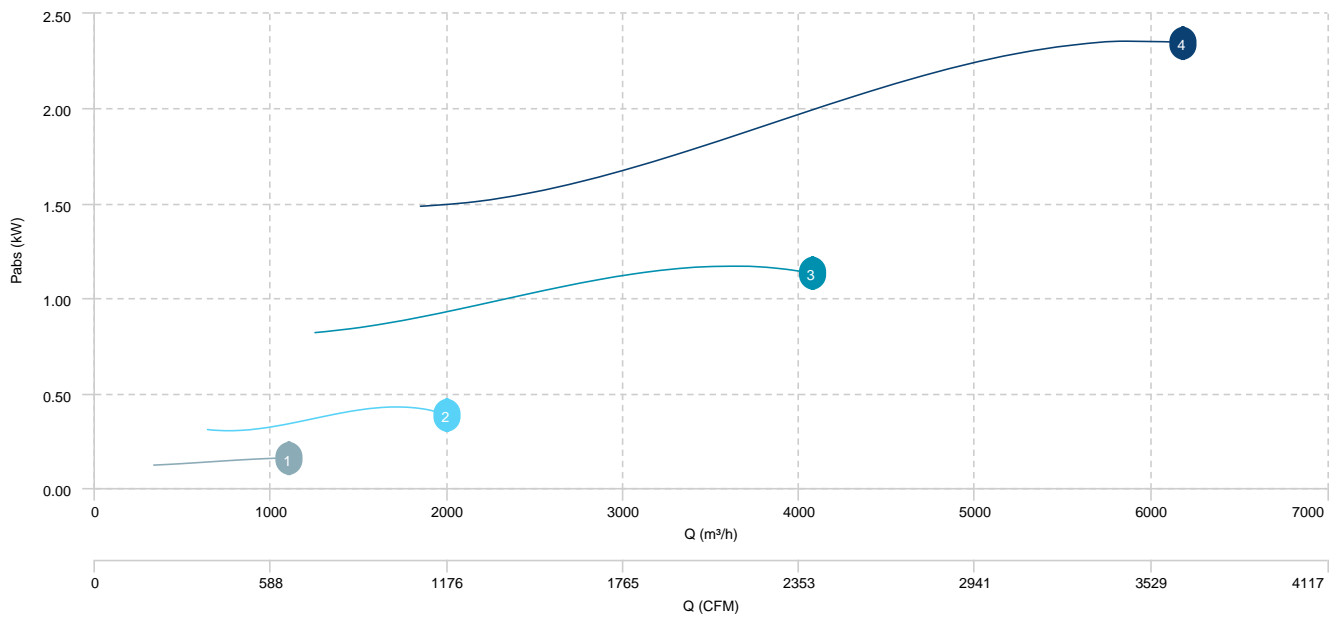
3 MBPV 31 T2 1,5kW ATEX

4 MBPV 35 T2 2,2kW ATEX

AIR FLOW - PRESSURE



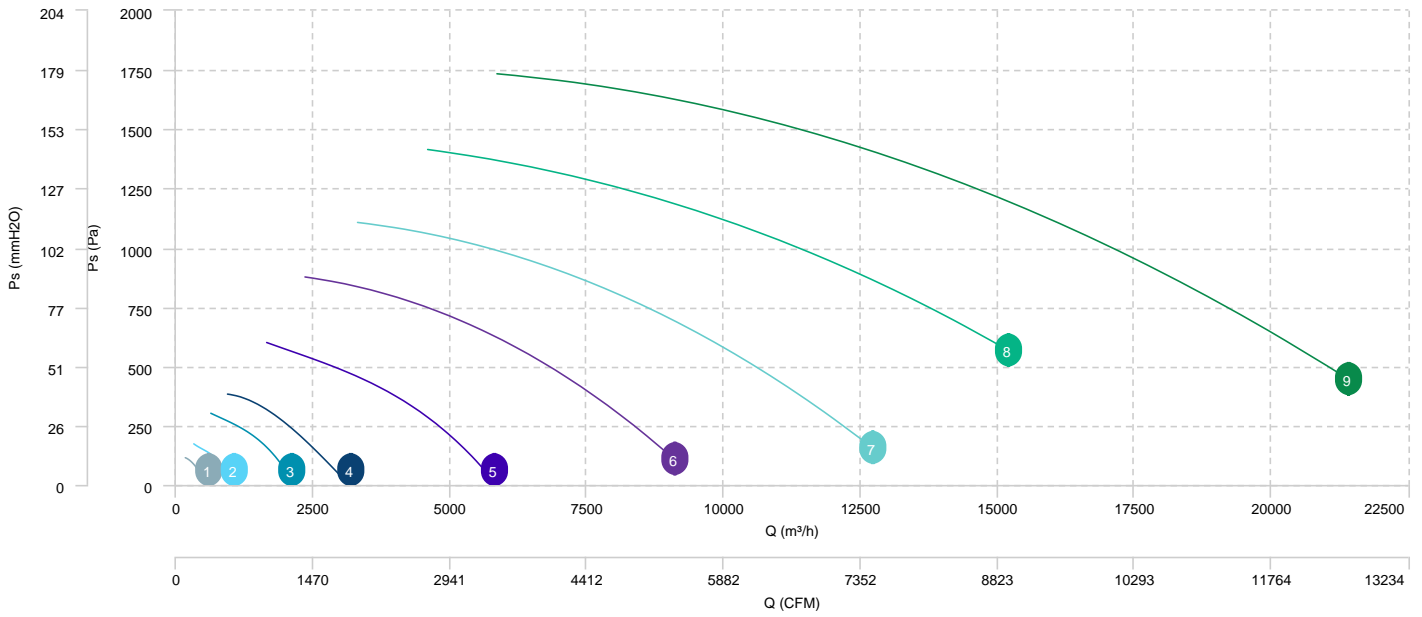
AIR FLOW - ABSORBED POWER



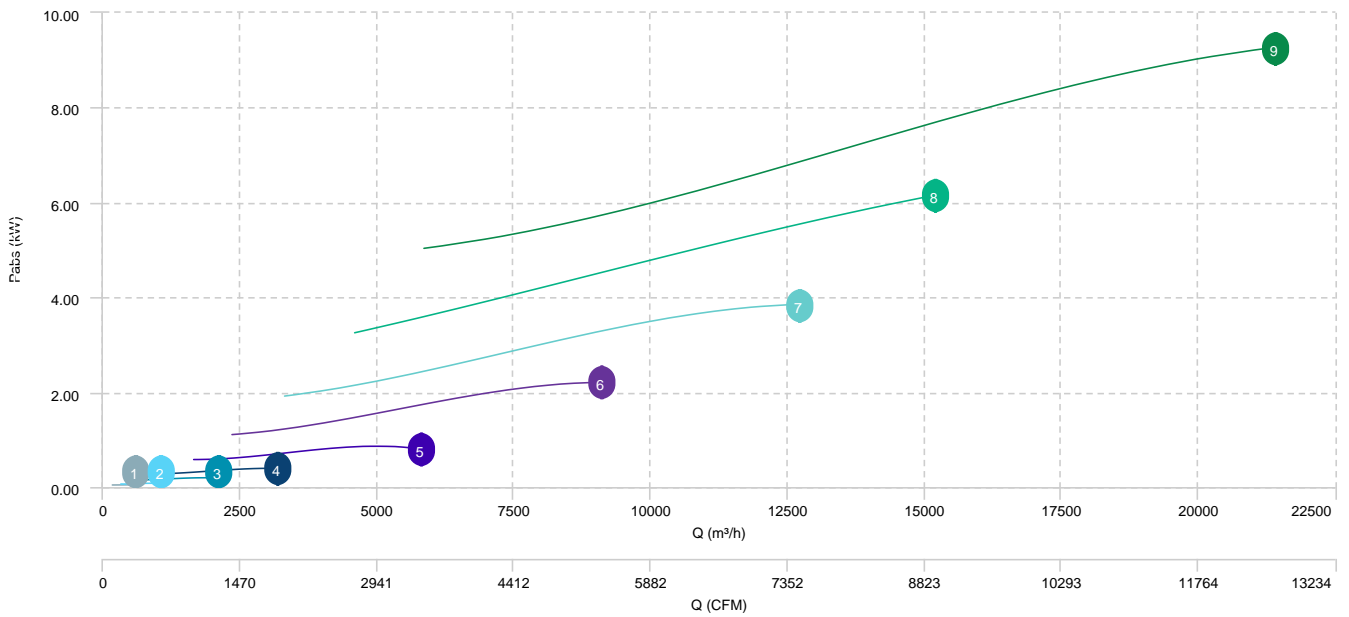
ATEX EXPLOSION PROOF FANS

| | | | | | | | |
|---|------------------------|---|------------------------|---|------------------------|---|------------------------|
| 1 | MBPV 20 T4 0,12kW ATEX | 2 | MBPV 25 T4 0,12kW ATEX | 3 | MBPV 31 T4 0,25kW ATEX | 4 | MBPV 35 T4 0,37kW ATEX |
| 5 | MBPV 45 T4 1,1kW ATEX | 6 | MBPV 50 T4 2,2kW ATEX | 7 | MBPV 56 T4 4kW ATEX | 8 | MBPV 63 T4 5,5kW ATEX |
| 9 | MBPV 71 T4 11kW ATEX | | | | | | |

AIR FLOW - PRESSURE



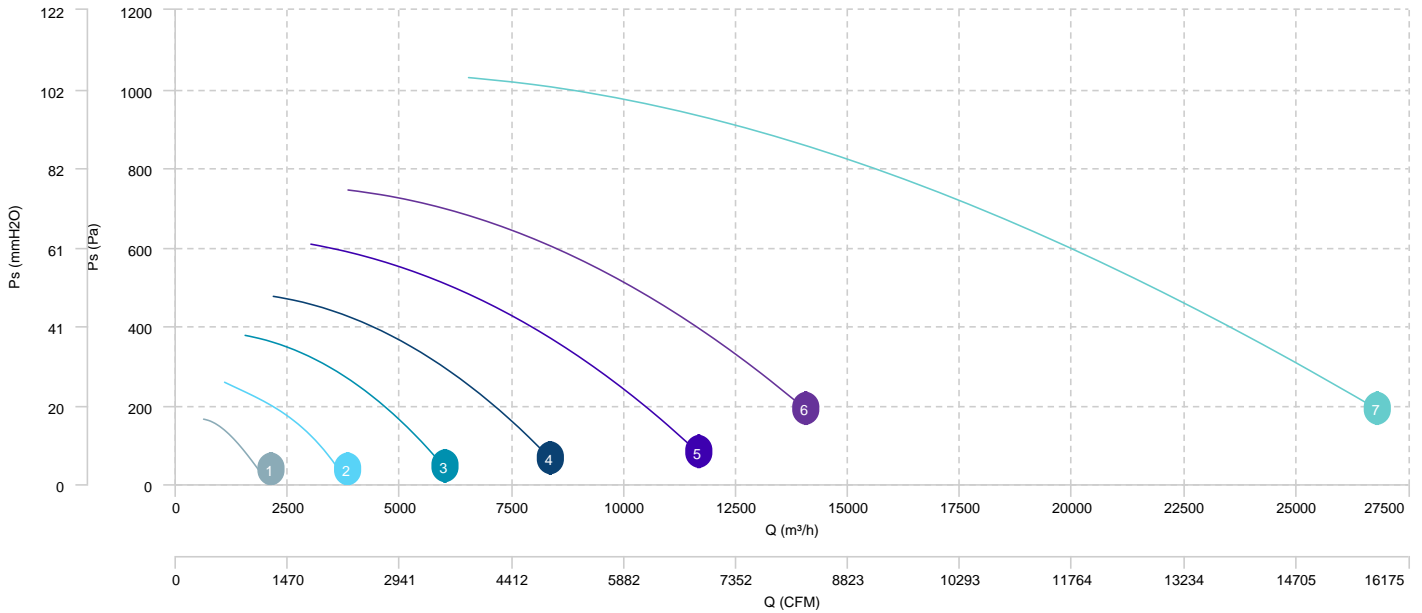
AIR FLOW - ABSORBED POWER



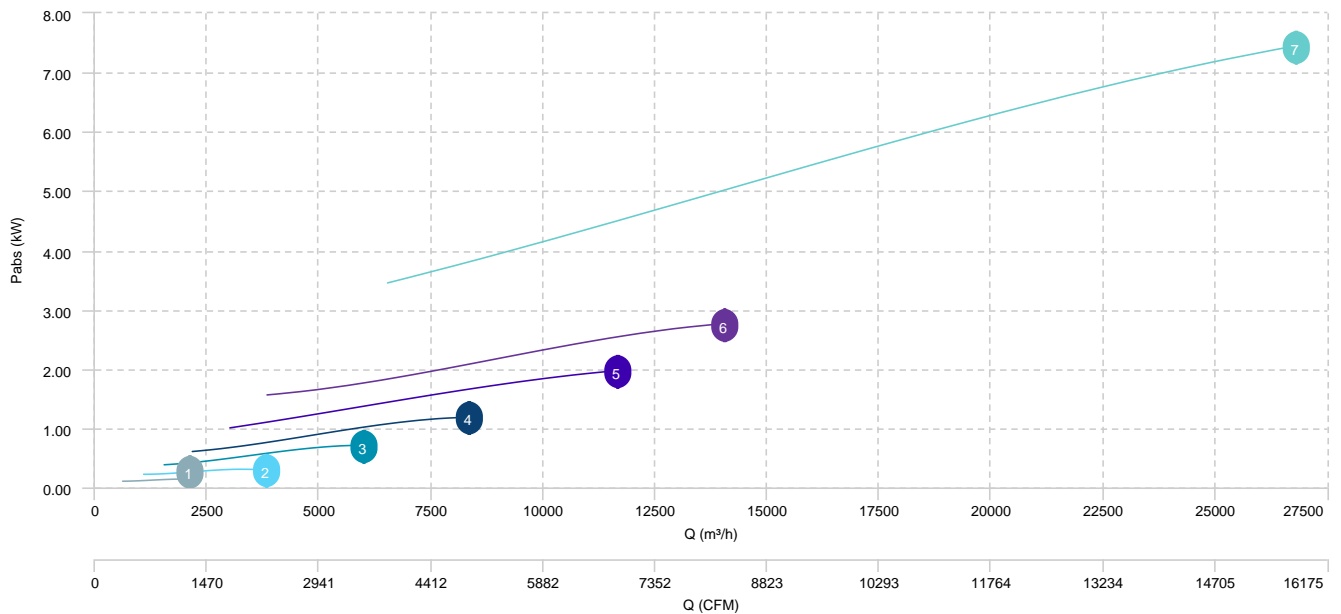
ATEX EXPLOSION PROOF FANS

- | | | | | | | | |
|---|------------------------|---|------------------------|---|------------------------|---|-----------------------|
| 1 | MBPV 35 T6 0,18kW ATEX | 2 | MBPV 45 T6 0,37kW ATEX | 3 | MBPV 50 T6 0,55kW ATEX | 4 | MBPV 56 T6 1,1kW ATEX |
| 5 | MBPV 63 T6 2,2kW ATEX | 6 | MBPV 71 T6 4kW ATEX | 7 | MBPV 80 T6 7,5kW ATEX | | |

AIR FLOW - PRESSURE



AIR FLOW - ABSORBED POWER



Sound data

Sound / 2 poles

| Sound power Lw dB (A) | | | | | | | | | | |
|------------------------|-------|-------|--------|--------|--------|---------|---------|---------|---------|-------|
| Model | | 63 Hz | 125 Hz | 250 Hz | 500 Hz | 1000 Hz | 2000 Hz | 4000 Hz | 8000 Hz | Total |
| MBPV 20 T2 0,18kW ATEX | Inlet | 62 | 74 | 82 | 84 | 86 | 82 | 74 | 63 | 90 |
| MBPV 25 T2 0,37kW ATEX | Inlet | 71 | 83 | 89 | 95 | 94 | 91 | 82 | 72 | 100 |
| MBPV 31 T2 1,5kW ATEX | Inlet | 77 | 89 | 95 | 101 | 101 | 97 | 89 | 78 | 106 |
| MBPV 35 T2 2,2kW ATEX | Inlet | 80 | 92 | 98 | 104 | 103 | 99 | 91 | 81 | 109 |

Sound / 4 poles

| Sound power Lw dB (A) | | | | | | | | | | |
|------------------------|-------|-------|--------|--------|--------|---------|---------|---------|---------|-------|
| Model | | 63 Hz | 125 Hz | 250 Hz | 500 Hz | 1000 Hz | 2000 Hz | 4000 Hz | 8000 Hz | Total |
| MBPV 20 T4 0,12kW ATEX | Inlet | 47 | 61 | 66 | 68 | 70 | 66 | 58 | 48 | 75 |
| MBPV 25 T4 0,12kW ATEX | Inlet | 56 | 68 | 77 | 77 | 79 | 76 | 67 | 57 | 84 |
| MBPV 31 T4 0,25kW ATEX | Inlet | 62 | 74 | 83 | 83 | 86 | 82 | 74 | 63 | 90 |
| MBPV 35 T4 0,37kW ATEX | Inlet | 65 | 77 | 86 | 86 | 88 | 85 | 76 | 66 | 93 |
| MBPV 45 T4 1,1kW ATEX | Inlet | 68 | 81 | 89 | 89 | 92 | 88 | 80 | 70 | 97 |
| MBPV 50 T4 2,2kW ATEX | Inlet | 72 | 84 | 92 | 93 | 95 | 91 | 83 | 73 | 100 |
| MBPV 56 T4 4kW ATEX | Inlet | 72 | 84 | 93 | 93 | 95 | 91 | 83 | 73 | 100 |
| MBPV 63 T4 5,5kW ATEX | Inlet | 74 | 86 | 94 | 95 | 97 | 93 | 85 | 75 | 102 |
| MBPV 71 T4 11kW ATEX | Inlet | 72 | 84 | 93 | 93 | 95 | 92 | 83 | 73 | 100 |

Sound / 6 poles

| Sound power Lw dB (A) | | | | | | | | | | |
|------------------------|-------|-------|--------|--------|--------|---------|---------|---------|---------|-------|
| Model | | 63 Hz | 125 Hz | 250 Hz | 500 Hz | 1000 Hz | 2000 Hz | 4000 Hz | 8000 Hz | Total |
| MBPV 35 T6 0,18kW ATEX | Inlet | 56 | 71 | 73 | 73 | 79 | 75 | 67 | 57 | 83 |
| MBPV 45 T6 0,37kW ATEX | Inlet | 59 | 74 | 77 | 80 | 82 | 79 | 70 | 60 | 87 |
| MBPV 50 T6 0,55kW ATEX | Inlet | 62 | 74 | 82 | 83 | 85 | 81 | 73 | 63 | 90 |
| MBPV 56 T6 1,1kW ATEX | Inlet | 65 | 78 | 86 | 86 | 89 | 85 | 77 | 67 | 94 |
| MBPV 63 T6 2,2kW ATEX | Inlet | 64 | 76 | 85 | 85 | 87 | 84 | 75 | 65 | 92 |
| MBPV 71 T6 4kW ATEX | Inlet | 62 | 75 | 83 | 83 | 86 | 82 | 74 | 63 | 90 |
| MBPV 80 T6 7,5kW ATEX | Inlet | 66 | 78 | 83 | 86 | 88 | 84 | 76 | 74 | 93 |