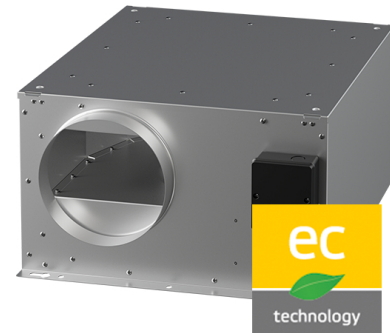
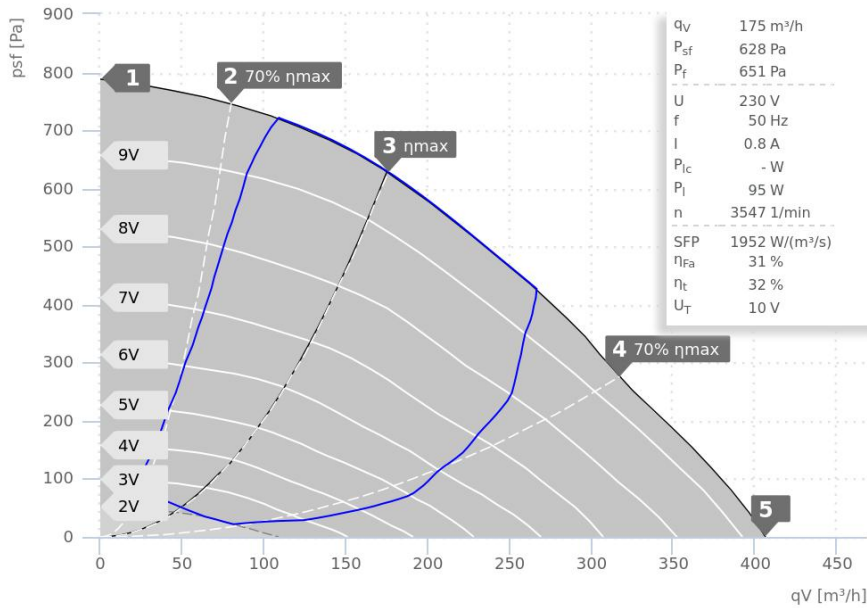


# DATA SHEET

**ruck**.eu  
VENTILATOREN

## ISORX 100 EC 20 | 162129



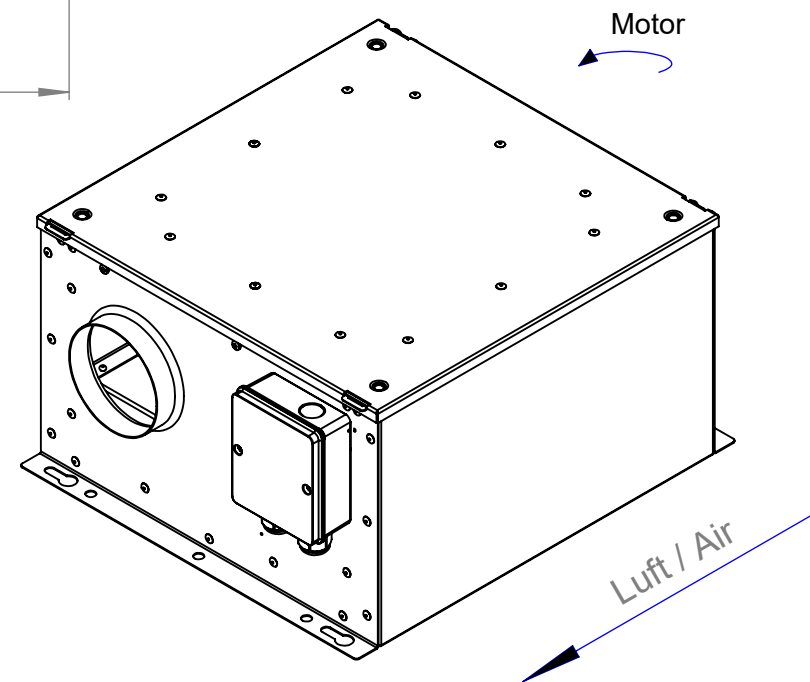
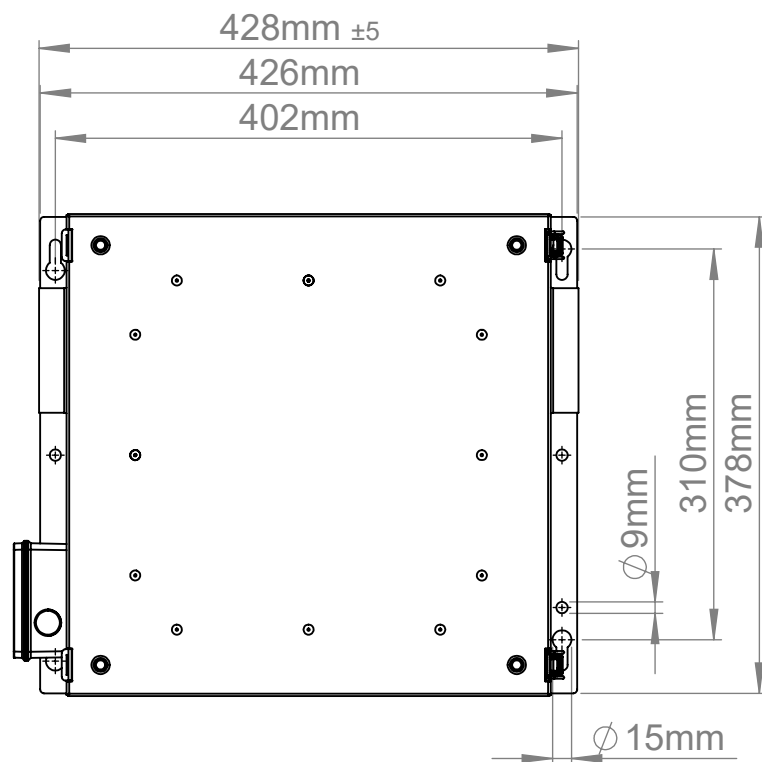
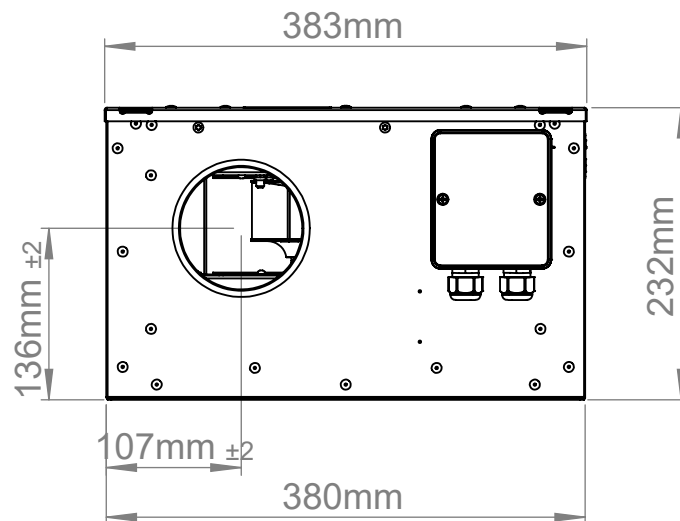
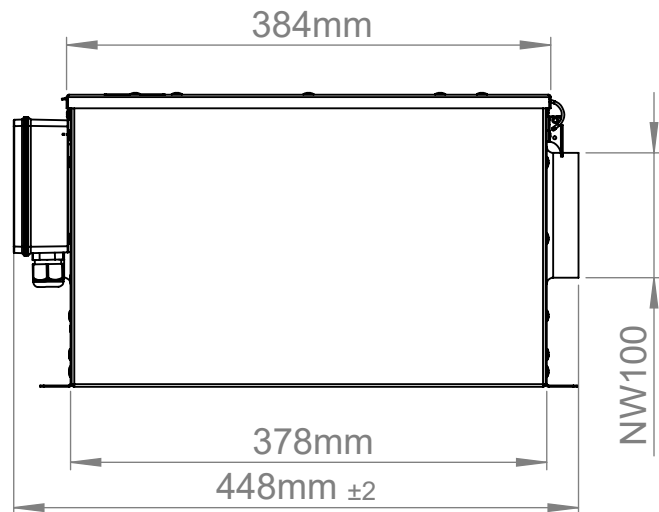
- Backward curved centrifugal fan
- EC motor
- Integrated electronic
- Galvanized metal housing
- Sound insulated

— ErP compliant range

Operating Point		1	2	3	4	5
Current $I$	A	0,4	0,6	0,8	0,8	0,8
Power consumption $P_i$	W	55	74	95	106	105
Rotation speed $n$	1/min	3609	3574	3551	3455	3410
SWL inlet $L_{WA5}$	dB(A)	61	61	61	62	65
SWL outlet $L_{WA6}$	dB(A)	76	76	75	76	77
SWL housing break out $L_{WA2}$	dB(A)	60	60	60	62	63

Sound power ( $L_W$ ) dB(A)		Medium Frequency Band								
		$\Sigma$	63	125	250	500	1k	2k	4k	8k
Inlet	$L_{WA5}$	61	47	53	54	58	46	44	44	39
Outlet	$L_{WA6}$	75	41	55	61	72	69	67	63	56
Housing radiation	$L_{WA2}$	60	43	50	50	55	54	52	48	41

ISORX 100 EC 20   162129	
Voltage $U_N$	230 V 1~
Current $I_{max}$	0,9 A
Ambient temperature $t_A$	60 °C
Conveyed medium temperature $t_M$	60 °C
Speed Control	0-10V
Motor protection	TEC
Insulation class motor	F
Weight	10,9 kg
Number of poles	-
IP motor	IP54
IP terminal box	-
IP complete unit	-
Min. operating temperature	-30 °C



**ruck**<sup>eu</sup>  
VENTILATOREN  
ruck Ventilatoren  
Max-Planck-Str. 5  
D-97944 Boxberg



1:6 A4 mm

Protection Mark according to ISO16016  
General tolerances according to DIN ISO 2768-c  
Created h.sachsenheimer 14.03.2022  
Drawn h.sachsenheimer 14.03.2022  
Released h.sachsenheimer 16.03.2022  
Disabled

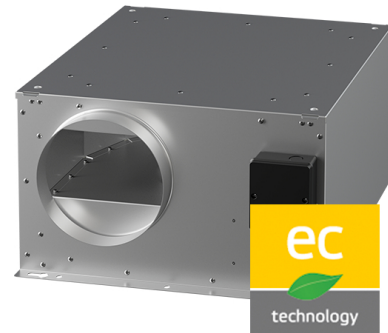
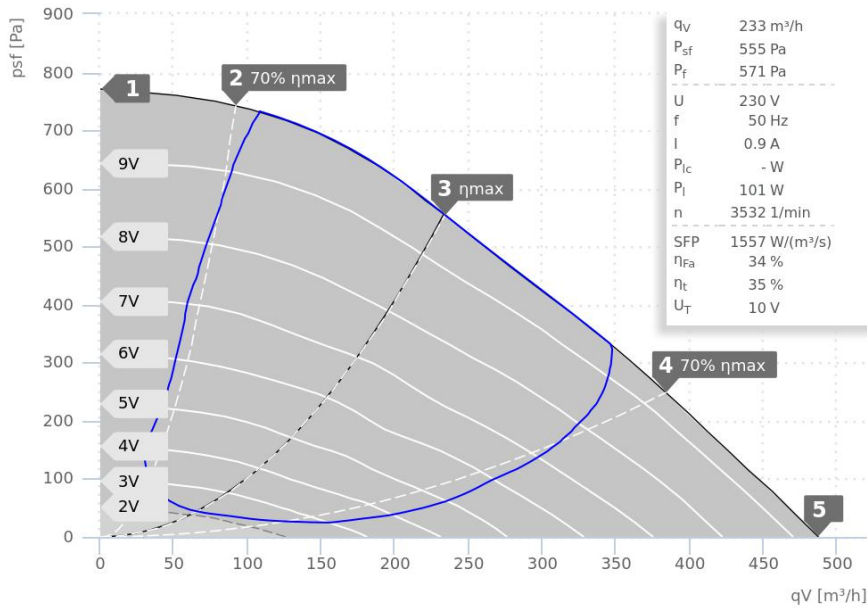
**ISORX100EC20**

**162129 00**

**VENTAS**  
VENTILATORER

# DATA SHEET

## ISORX 125 EC 20 | 162132



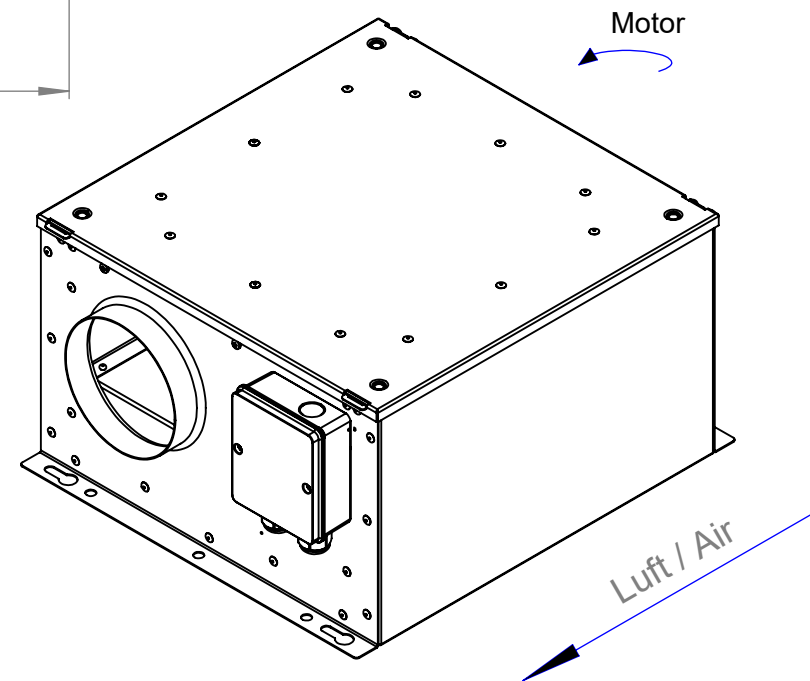
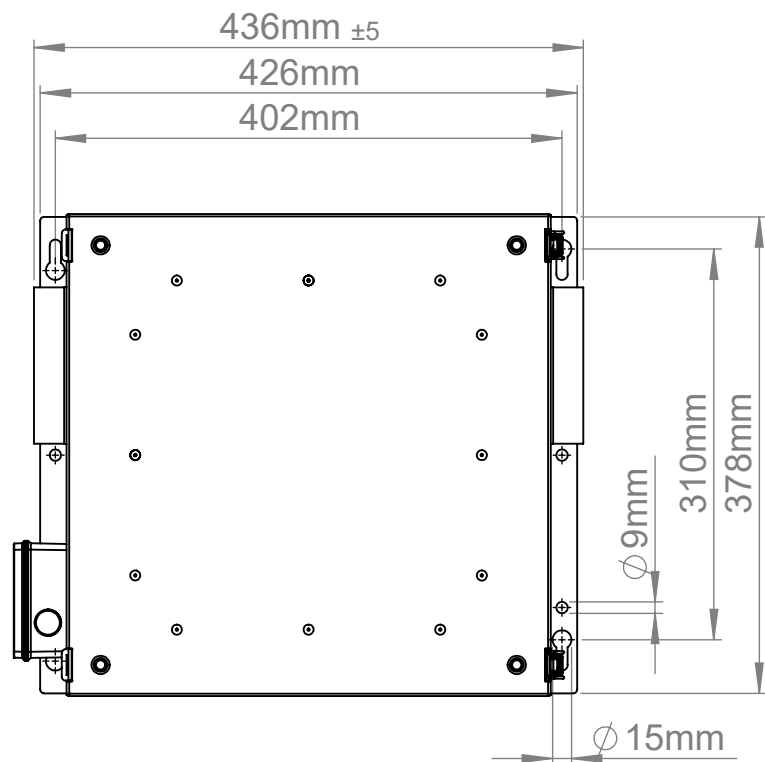
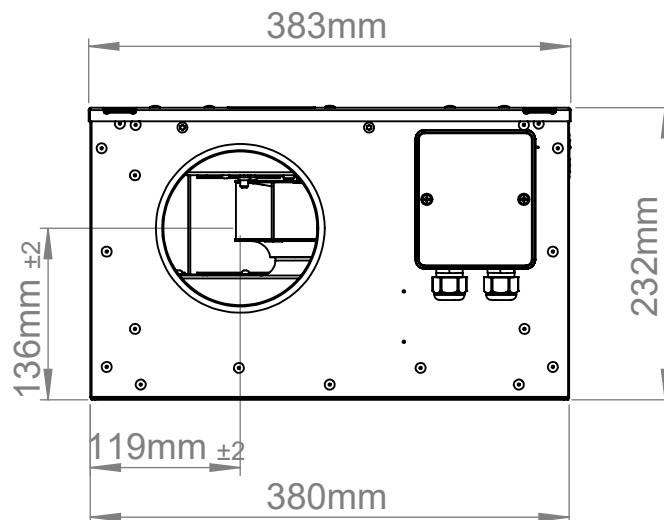
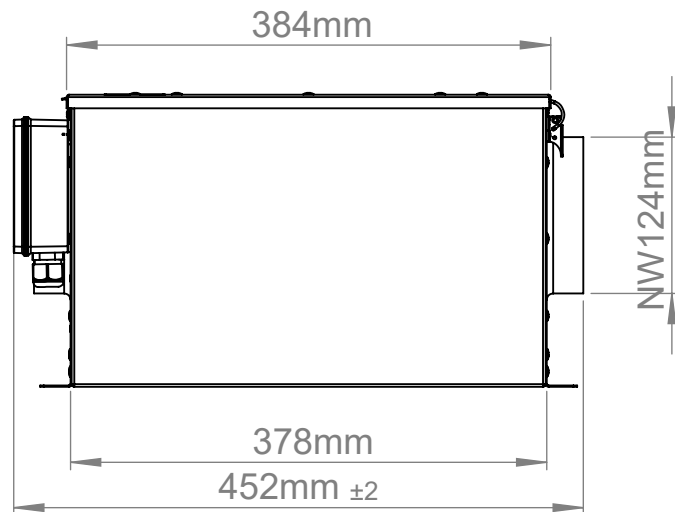
- Backward curved centrifugal fan
- EC motor
- Integrated electronic
- Galvanized metal housing
- Sound insulated

— ErP compliant range

Operating Point		1	2	3	4	5
Current $I$	A	0,5	0,7	0,9	0,9	0,8
Power consumption $P_i$	W	58	78	101	106	106
Rotation speed $n$	1/min	3616	3580	3533	3442	3411
SWL inlet $L_{WA5}$	dB(A)	62	62	62	64	65
SWL outlet $L_{WA6}$	dB(A)	76	76	76	78	80
SWL housing break out $L_{WA2}$	dB(A)	60	60	59	61	63

Sound power ( $L_W$ ) dB(A)		Medium Frequency Band								
		$\Sigma$	63	125	250	500	1k	2k	4k	8k
Inlet	$L_{WA5}$	62	45	51	55	60	47	45	44	39
Outlet	$L_{WA6}$	76	38	55	62	72	71	68	63	57
Housing radiation	$L_{WA2}$	59	40	51	50	56	49	46	45	40

ISORX 125 EC 20   162132	
Voltage $U_N$	230 V 1~
Current $I_{max}$	0,9 A
Ambient temperature $t_A$	60 °C
Conveyed medium temperature $t_M$	60 °C
Speed Control	0-10V
Motor protection	TEC
Insulation class motor	F
Weight	10,9 kg
Number of poles	-
IP motor	IP54
IP terminal box	-
IP complete unit	-
Min. operating temperature	-30 °C



ruck Ventilatoren  
Max-Planck-Str. 5  
D-97944 Boxberg



1:6 A4 mm

Protection Mark  
according to ISO 16016

General tolerances  
DIN ISO 2768-c

**ISORX125EC20**

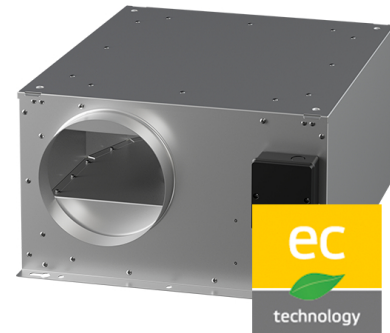
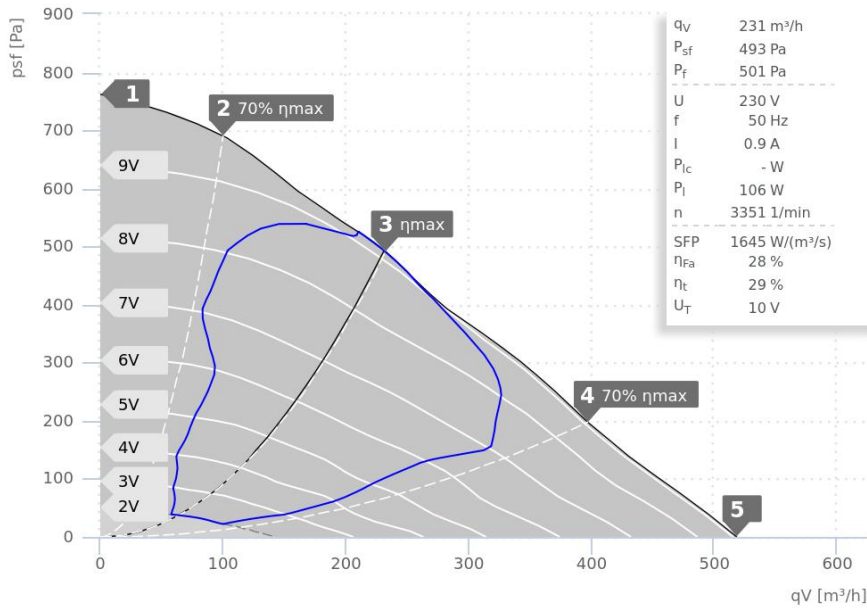
Created h.sachsenheimer 10.03.2022  
Drawn h.sachsenheimer 10.03.2022  
Released h.sachsenheimer 16.03.2022  
Disabled

**162132 00**



# DATA SHEET

## ISORX 150 EC 20 | 162135



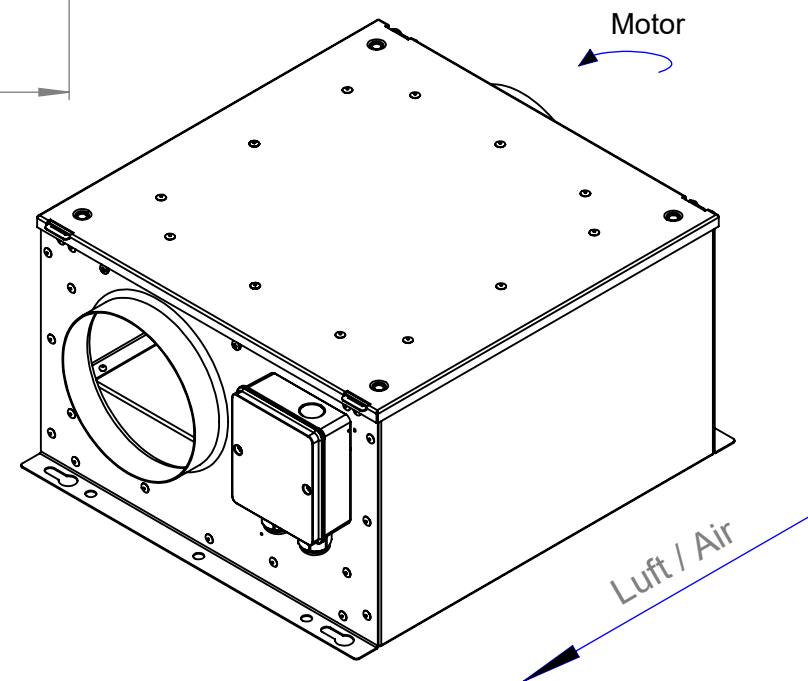
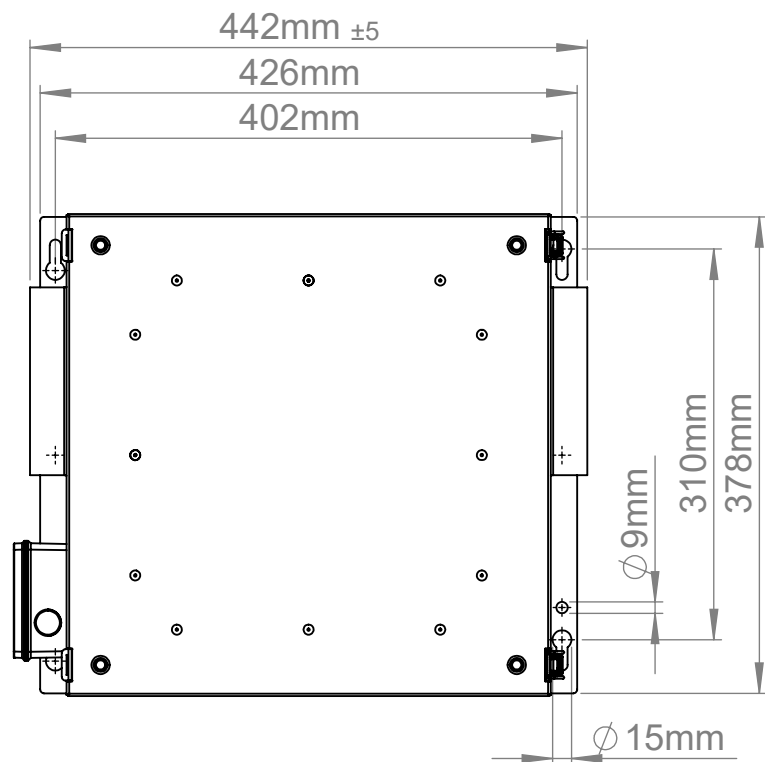
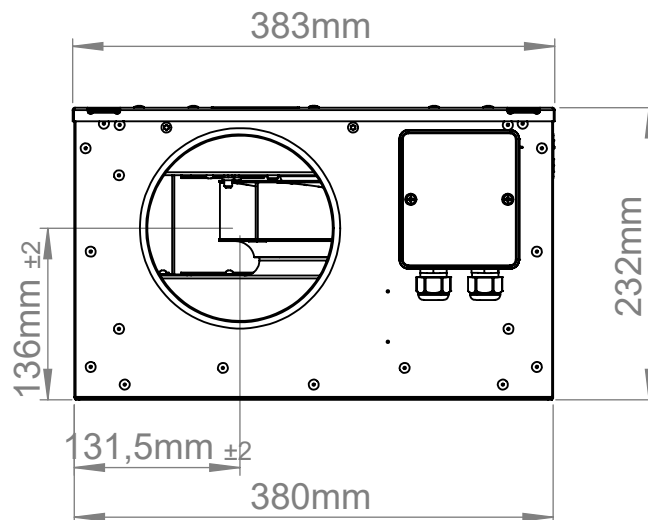
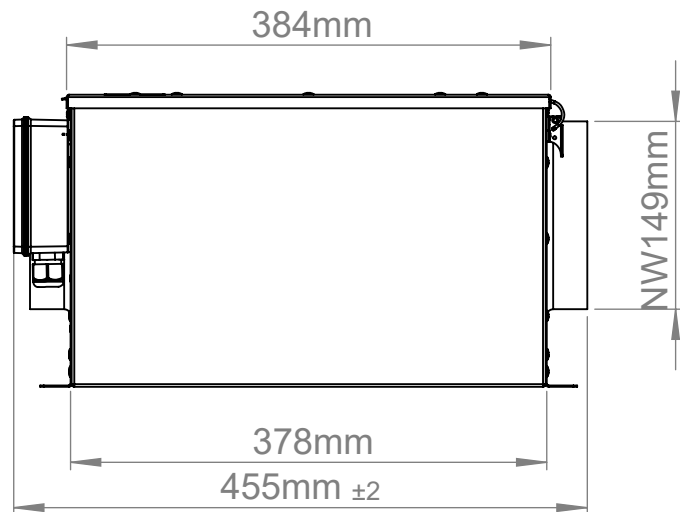
- Backward curved centrifugal fan
- EC motor
- Integrated electronic
- Galvanized metal housing
- Sound insulated

— ErP compliant range

Operating Point		1	2	3	4	5
Current $I$	A	0,7	0,8	0,9	0,9	0,8
Power consumption $P_1$	W	80	94	106	104	102
Rotation speed $n$	1/min	3636	3522	3350	3194	3178
SWL inlet $L_{WA5}$	dB(A)	62	62	61	64	67
SWL outlet $L_{WA6}$	dB(A)	75	75	75	79	81
SWL housing break out $L_{WA2}$	dB(A)	60	59	59	60	62

Sound power ( $L_W$ ) dB(A)		Medium Frequency Band								
		$\Sigma$	63	125	250	500	1k	2k	4k	8k
Inlet	$L_{WA5}$	61	42	52	55	58	47	44	43	38
Outlet	$L_{WA6}$	75	36	54	63	71	71	67	62	56
Housing radiation	$L_{WA2}$	59	37	52	51	56	48	41	40	35

ISORX 150 EC 20   162135	
Voltage $U_N$	230 V 1~
Current $I_{max}$	0,9 A
Ambient temperature $t_A$	60 °C
Conveyed medium temperature $t_M$	60 °C
Speed Control	0-10V
Motor protection	TEC
Insulation class motor	F
Weight	10,9 kg
Number of poles	-
IP motor	IP54
IP terminal box	-
IP complete unit	-
Min. operating temperature	-30 °C



**ruck**<sup>eu</sup>  
VENTILATOREN  
ruck Ventilatoren  
Max-Planck-Str. 5  
D-97944 Boxberg



1:6 A4 mm

Protection Mark according to ISO16016  
General tolerances according to DIN ISO 2768-c  
Created h.sachsenheimer 10.03.2022  
Drawn h.sachsenheimer 10.03.2022  
Released h.sachsenheimer 16.03.2022  
Disabled

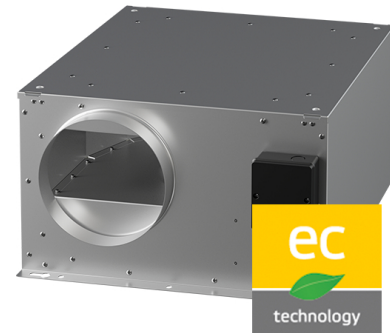
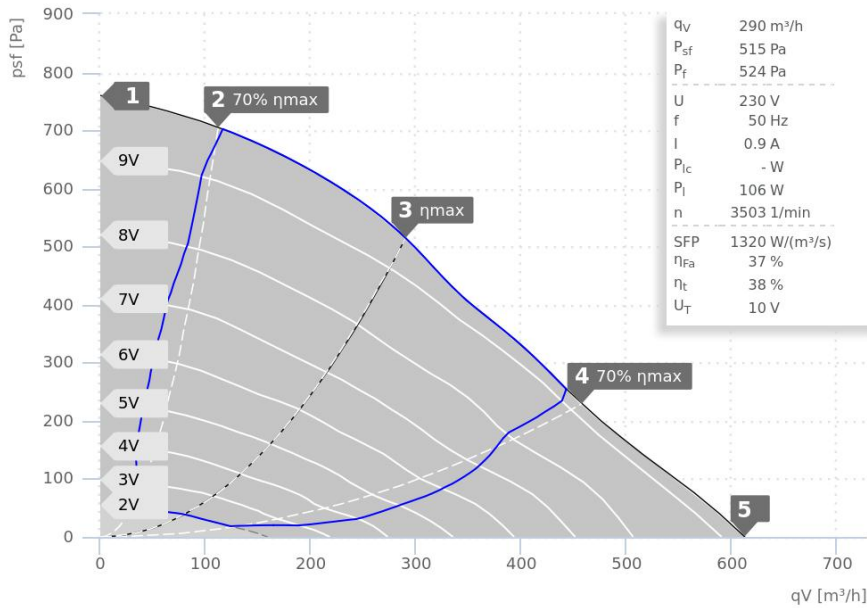
**ISORX150EC20**

**162135 00**

**VENTAS**  
VENTILATORER

# DATA SHEET

## ISORX 160 EC 20 | 162138



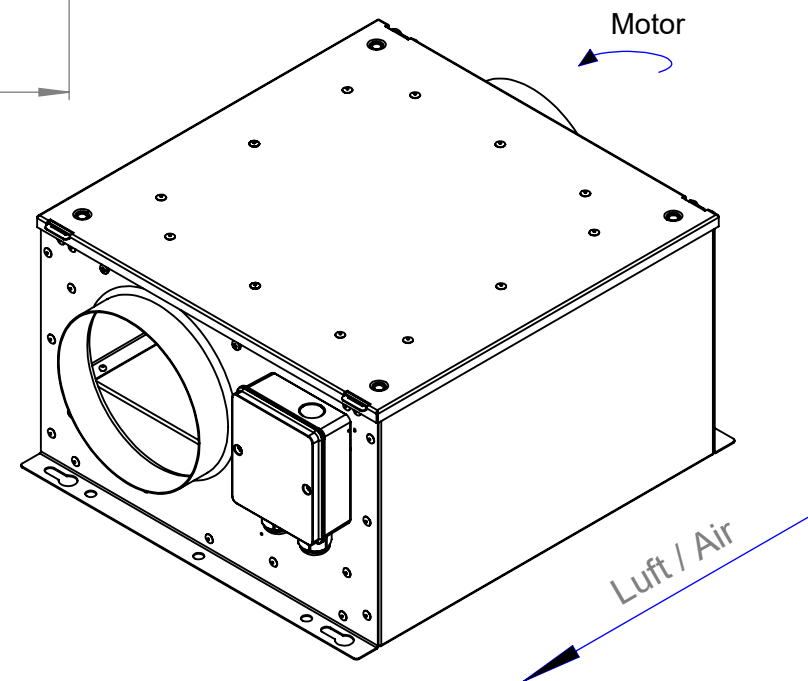
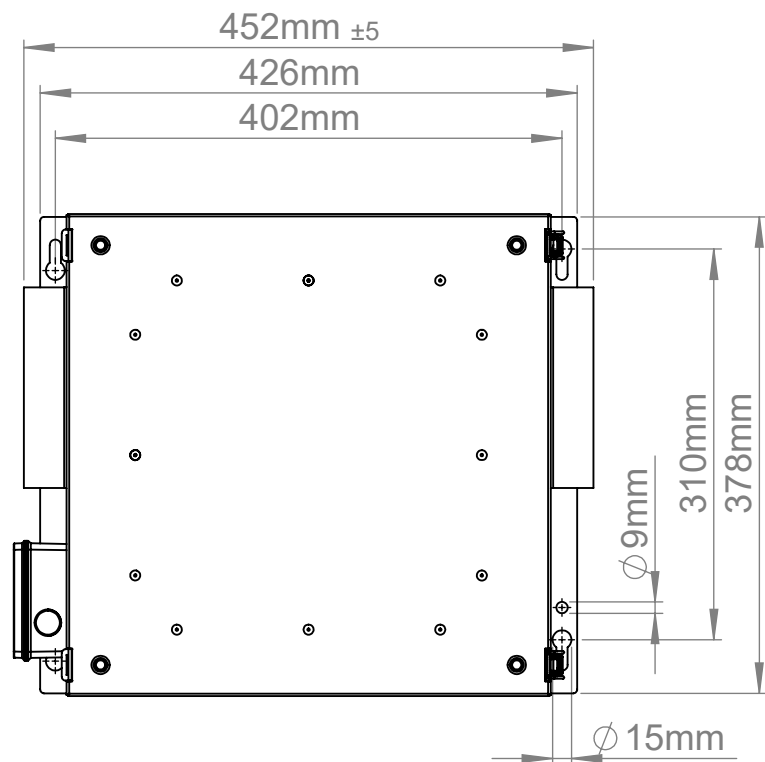
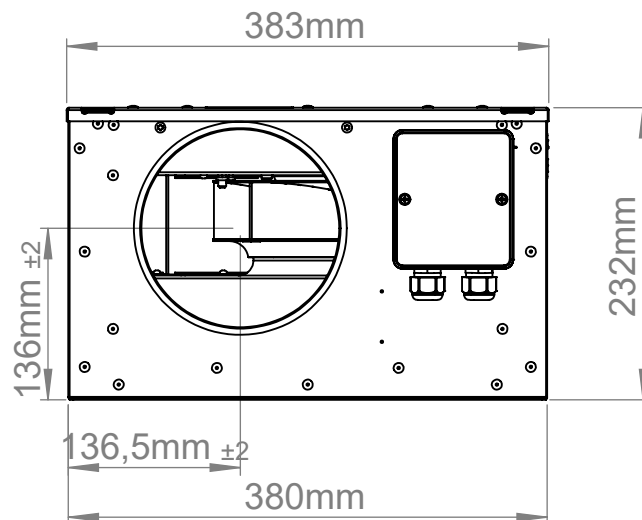
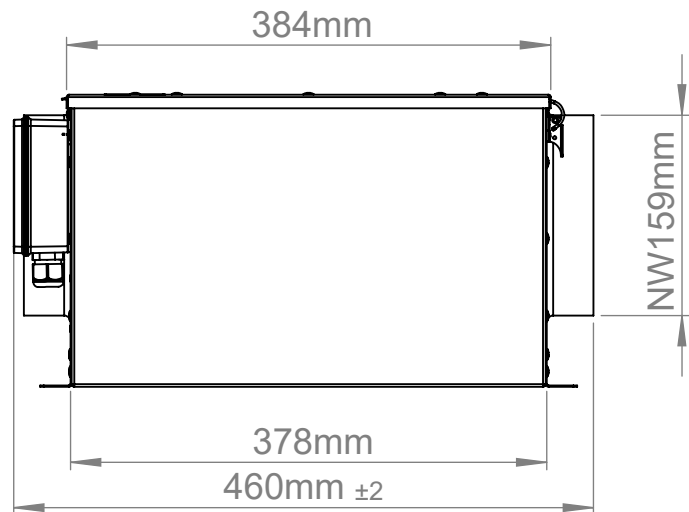
- Backward curved centrifugal fan
- EC motor
- Integrated electronic
- Galvanized metal housing
- Sound insulated

— ErP compliant range

Operating Point		1	2	3	4	5
Current $I$	A	0,5	0,7	0,9	0,8	0,8
Power consumption $P_i$	W	61	83	106	106	106
Rotation speed $n$	1/min	3627	3572	3503	3417	3444
SWL inlet $L_{WA5}$	dB(A)	64	64	64	66	69
SWL outlet $L_{WA6}$	dB(A)	77	77	77	80	82
SWL housing break out $L_{WA2}$	dB(A)	66	63	59	61	64

Sound power ( $L_W$ ) dB(A)		Medium Frequency Band								
		$\Sigma$	63	125	250	500	1k	2k	4k	8k
Inlet	$L_{WA5}$	64	43	55	57	62	49	47	45	40
Outlet	$L_{WA6}$	77	38	54	65	73	72	68	63	57
Housing radiation	$L_{WA2}$	59	38	53	51	57	48	42	41	35

ISORX 160 EC 20   162138	
Voltage $U_N$	230 V 1~
Current $I_{max}$	0,9 A
Ambient temperature $t_A$	60 °C
Conveyed medium temperature $t_M$	60 °C
Speed Control	0-10V
Motor protection	TEC
Insulation class motor	F
Weight	10,9 kg
Number of poles	-
IP motor	IP54
IP terminal box	-
IP complete unit	-
Min. operating temperature	-30 °C



ruck Ventilatoren  
Max-Planck-Str. 5  
D-97944 Boxberg



1:6 A4 mm

Protection Mark according to ISO16016  
General tolerances according to DIN ISO 2768-c

Created h.sachsenheimer 10.03.2022  
Drawn h.sachsenheimer 10.03.2022  
Released h.sachsenheimer 16.03.2022  
Disabled

ISORX160EC20

162138 00

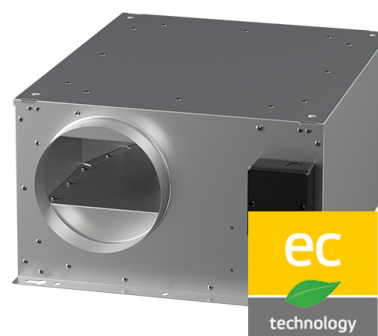
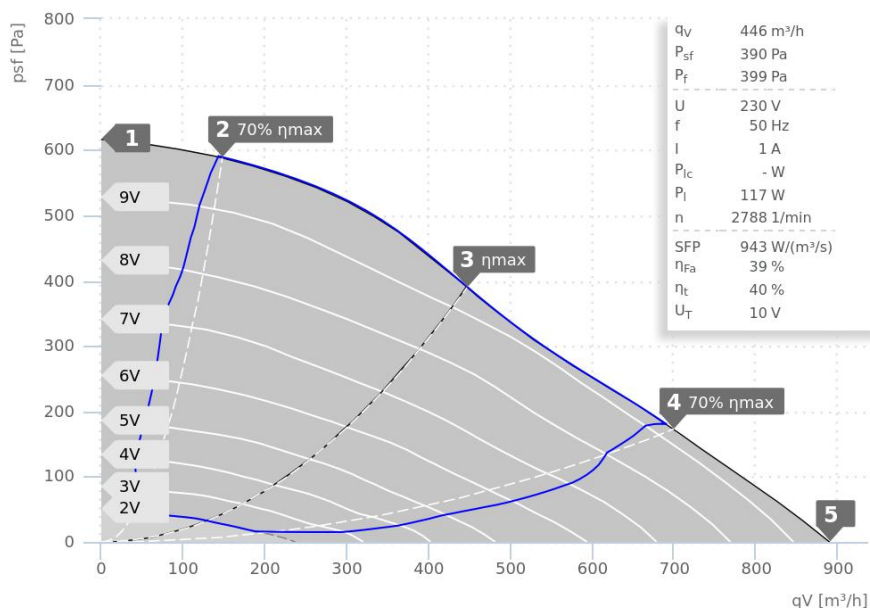




# DATA SHEET

## ISORX 200 EC 20 | 162141

**ruck**.eu  
VENTILATOREN



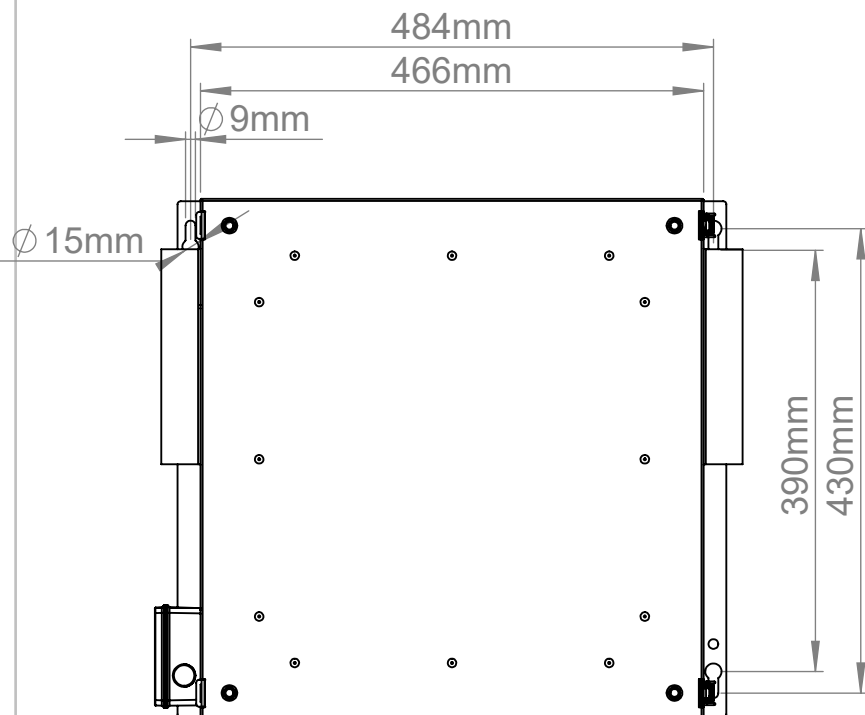
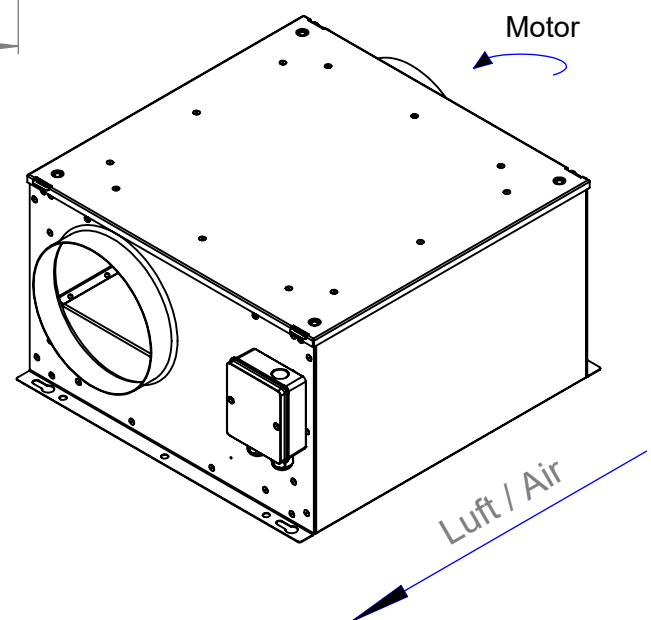
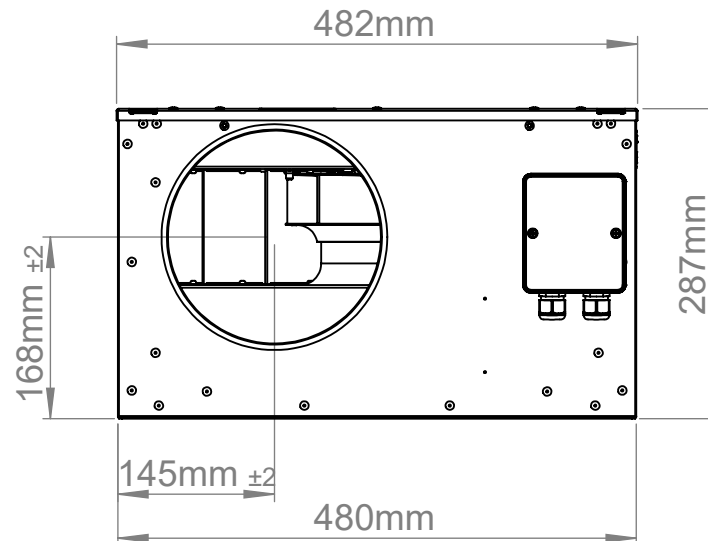
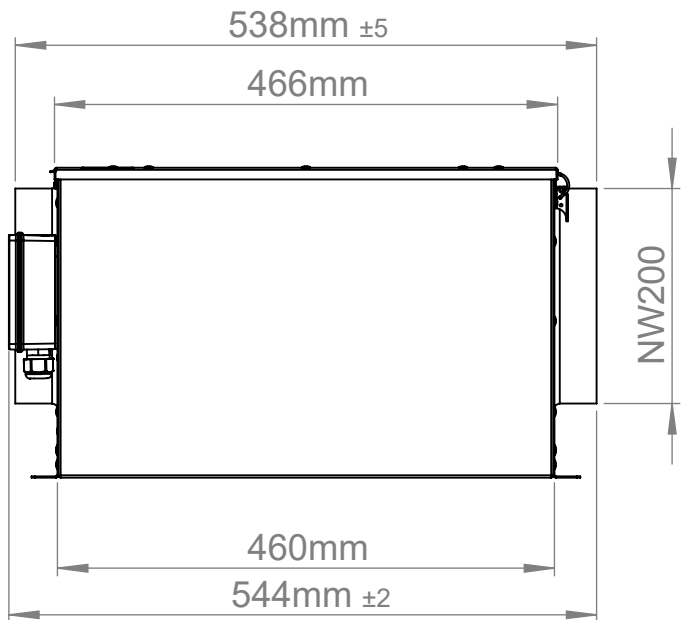
- Backward curved centrifugal fan
- EC motor
- Integrated electronic
- Galvanized metal housing
- Sound insulated

— ErP compliant range

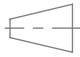

Operating Point		1	2	3	4	5
Current $I$	A	0,5	0,7	1,0	0,9	0,9
Power consumption $P_i$	W	56	84	117	114	116
Rotation speed $n$	1/min	2921	2910	2789	2737	2809
SWL inlet $L_{WA5}$	dB(A)	61	62	63	65	68
SWL outlet $L_{WA6}$	dB(A)	76	75	74	77	80
SWL housing break out $L_{WA2}$	dB(A)	59	58	58	62	64

Sound power ( $L_W$ ) dB(A)		Medium Frequency Band								
		$\Sigma$	63	125	250	500	1k	2k	4k	8k
Inlet	$L_{WA5}$	63	41	49	62	53	47	42	41	32
Outlet	$L_{WA6}$	74	39	55	67	70	68	66	60	50
Housing radiation	$L_{WA2}$	58	40	48	54	54	44	40	37	30

ISORX 200 EC 20   162141	
Voltage $U_N$	230 V 1~
Current $I_{max}$	1,0 A
Ambient temperature $t_A$	60 °C
Conveyed medium temperature $t_M$	60 °C
Speed Control	0-10V
Motor protection	TEC
Insulation class motor	F
Weight	16,1 kg
Number of poles	-
IP motor	IP54
IP terminal box	-
IP complete unit	-
Min. operating temperature	-30 °C



**ruck**<sup>eu</sup>  
VENTILATOREN  
ruck Ventilatoren  
Max-Planck-Str. 5  
D-97944 Boxberg

  1:7 A4 mm  
Protection Mark according to ISO16016 General tolerances according to DIN ISO 2768-c  
Created h.sachsenheimer 10.03.2022  
Drawn h.sachsenheimer 10.03.2022  
Released h.sachsenheimer 16.03.2022  
Disabled

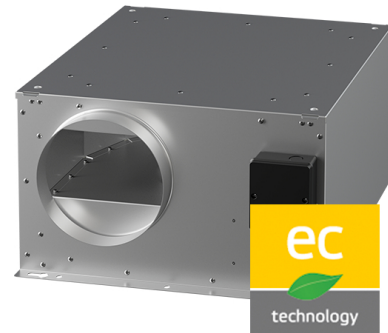
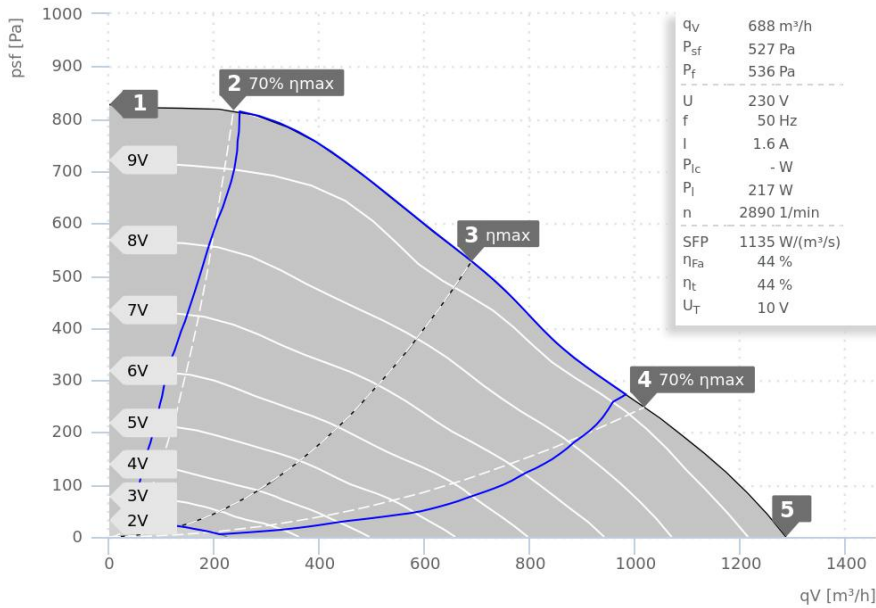
**ISORX200EC20**

**162141 00**

**VENTAS**  
VENTILATORER

# DATA SHEET

## ISORX 250 EC 20 | 162144



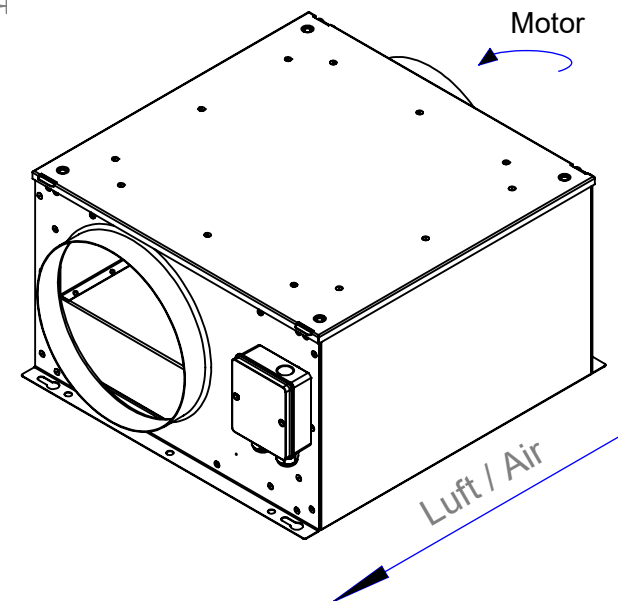
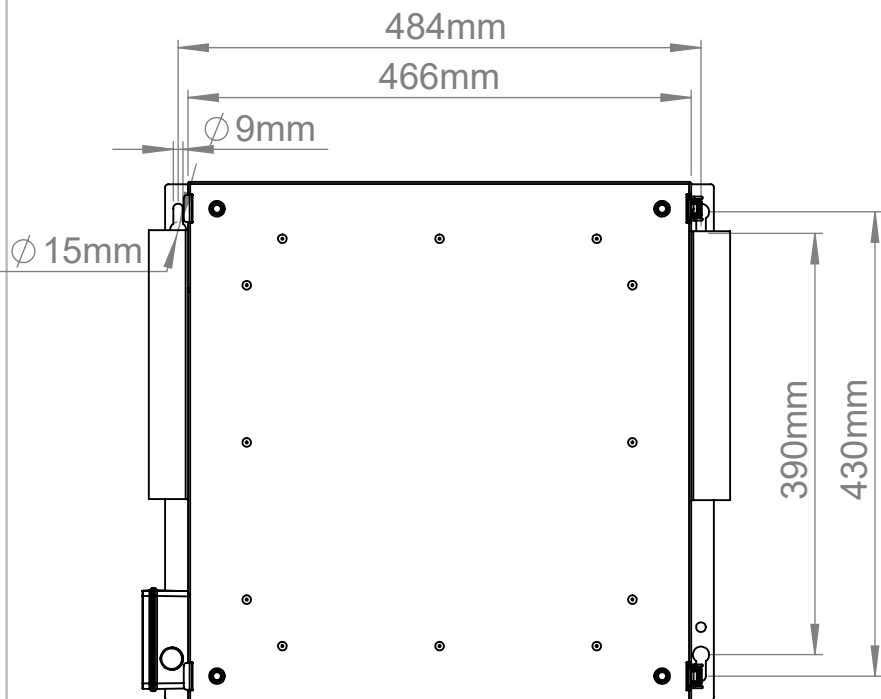
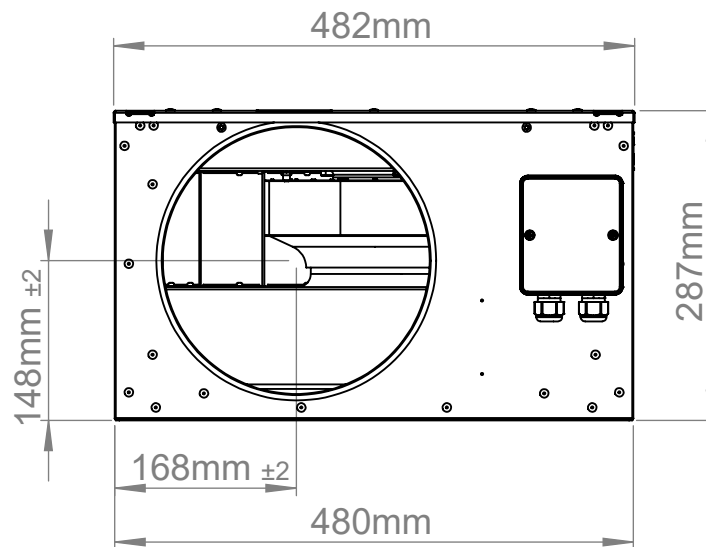
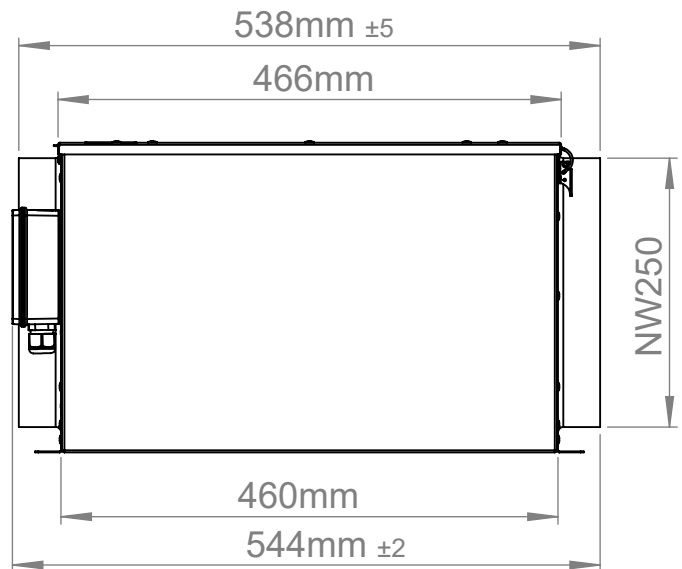
- Backward curved centrifugal fan
- EC motor
- Integrated electronic
- Galvanized metal housing
- Sound insulated

— ErP compliant range

Operating Point		1	2	3	4	5
Current I	A	0,9	1,3	1,6	1,6	1,5
Power consumption P <sub>i</sub>	W	124	174	217	215	211
Rotation speed n	1/min	2966	2972	2892	2854	2970
SWL inlet L <sub>WA5</sub>	dB(A)	70	70	71	74	77
SWL outlet L <sub>WA6</sub>	dB(A)	83	81	83	86	90
SWL housing break out L <sub>WA2</sub>	dB(A)	65	66	68	70	72

Sound power (L <sub>W</sub> ) dB(A)		Medium Frequency Band								
		Σ	63	125	250	500	1k	2k	4k	8k
Inlet	L <sub>WA5</sub>	71	46	56	70	62	60	51	52	46
Outlet	L <sub>WA6</sub>	83	44	59	74	78	78	74	70	63
Housing radiation	L <sub>WA2</sub>	68	46	52	65	60	62	53	47	40

ISORX 250 EC 20   162144	
Voltage U <sub>N</sub>	230 V 1~
Current I <sub>max</sub>	1,7 A
Ambient temperature t <sub>A</sub>	60 °C
Conveyed medium temperature t <sub>M</sub>	60 °C
Speed Control	0-10V
Motor protection	TEC
Insulation class motor	F
Weight	17,1 kg
Number of poles	-
IP motor	IP30
IP terminal box	-
IP complete unit	-
Min. operating temperature	-30 °C



ruck Ventilatoren  
Max-Planck-Str. 5  
D-97944 Boxberg



1:7 A4 mm

Protection Mark  
according to ISO16016

General tolerances  
DIN ISO 2768-c

Created h.sachsenheimer 10.03.2022  
Drawn h.sachsenheimer 10.03.2022  
Released h.sachsenheimer 16.03.2022  
Disabled

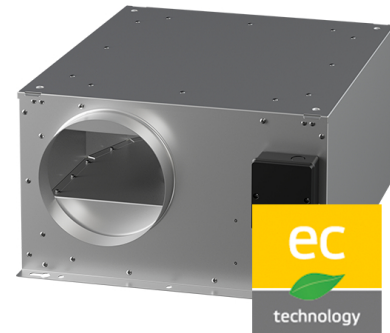
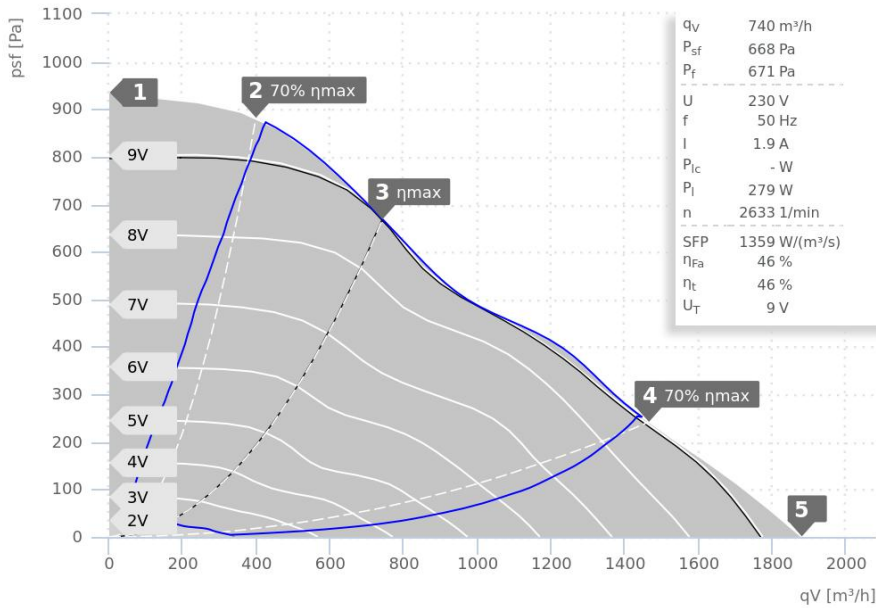
**ISORX250EC20**

**162144 00**



# DATA SHEET

## ISORX 315 EC 20 | 162147



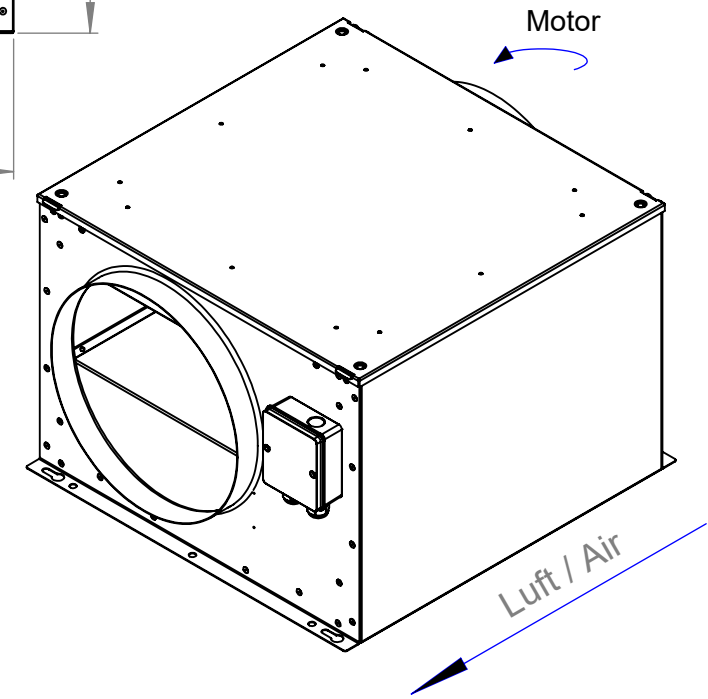
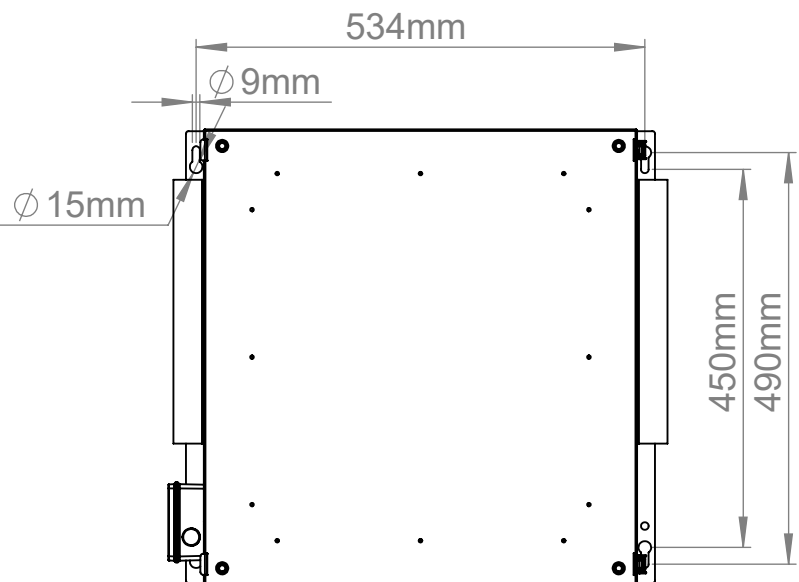
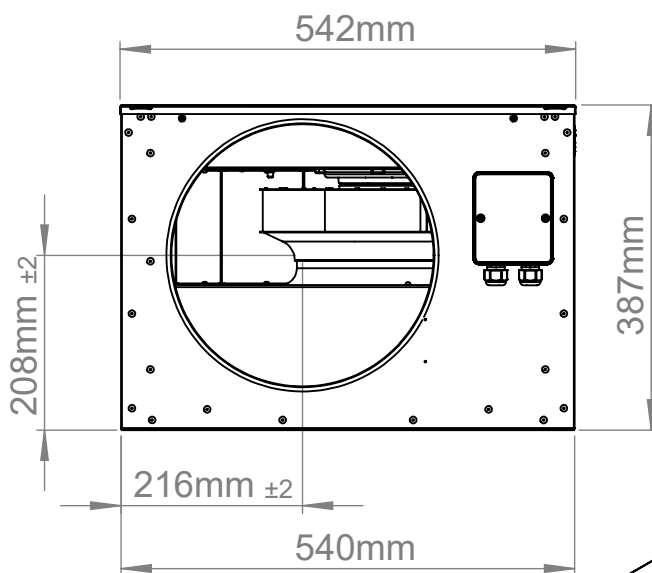
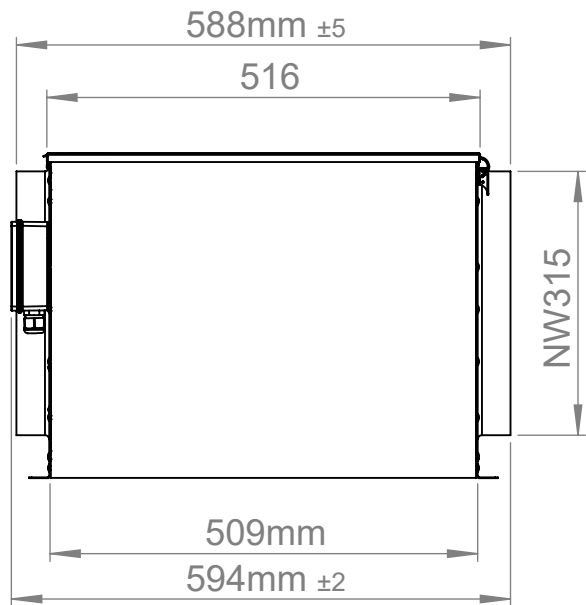
- Backward curved centrifugal fan
- EC motor
- Integrated electronic
- Galvanized metal housing
- Sound insulated

— ErP compliant range

Operating Point		1	2	3	4	5
Current $I$	A	1,2	1,9	1,9	1,9	1,9
Power consumption $P_i$	W	172	282	280	279	277
Rotation speed $n$	1/min	2938	2842	2634	2667	2891
SWL inlet $L_{WA5}$	dB(A)	70	70	70	76	78
SWL outlet $L_{WA6}$	dB(A)	85	83	81	86	90
SWL housing break out $L_{WA2}$	dB(A)	66	67	69	68	72

Sound power ( $L_W$ ) dB(A)		Medium Frequency Band								
		$\Sigma$	63	125	250	500	1k	2k	4k	8k
Inlet	$L_{WA5}$	70	42	55	69	55	57	53	54	47
Outlet	$L_{WA6}$	81	44	59	74	74	74	73	71	67
Housing radiation	$L_{WA2}$	69	46	46	56	54	68	46	45	40

ISORX 315 EC 20   162147	
Voltage $U_N$	230 V 1~
Current $I_{max}$	2,0 A
Ambient temperature $t_A$	55 °C
Conveyed medium temperature $t_M$	55 °C
Speed Control	0-10V
Motor protection	TEC
Insulation class motor	F
Weight	22,5 kg
Number of poles	-
IP motor	IP30
IP terminal box	-
IP complete unit	-
Min. operating temperature	-30 °C



**ruck**.eu  
**VENTILATOREN**  
 ruck Ventilatoren  
 Max-Planck-Str. 5  
 D-97944 Boxberg

Protection Mark according to ISO16016  
 General tolerances according to DIN ISO 2768-c  
 Created h.sachsenheimer 15.03.2022  
 Drawn h.sachsenheimer 15.03.2022  
 Released h.sachsenheimer 16.03.2022  
 Disabled

**ISORX315EC20**  
**162147 00**

