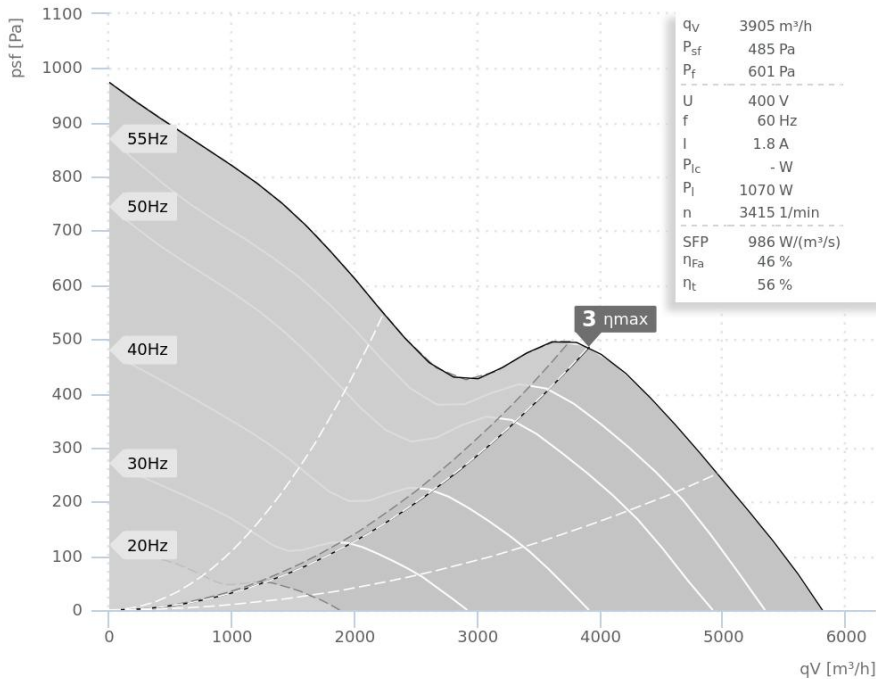


DATA SHEET

AL 315 D2 F4 01 | 154703

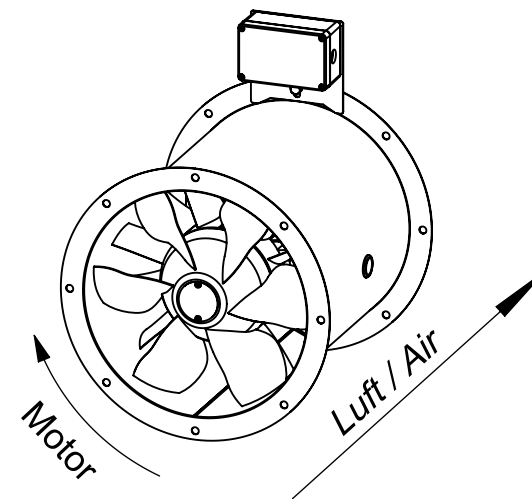
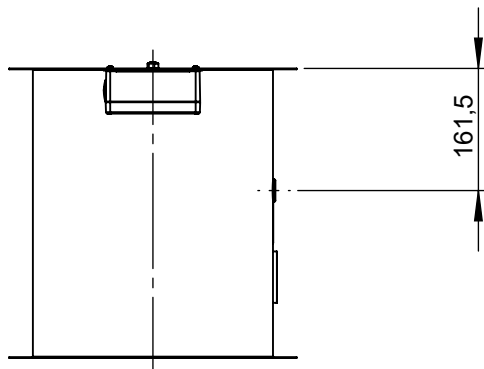
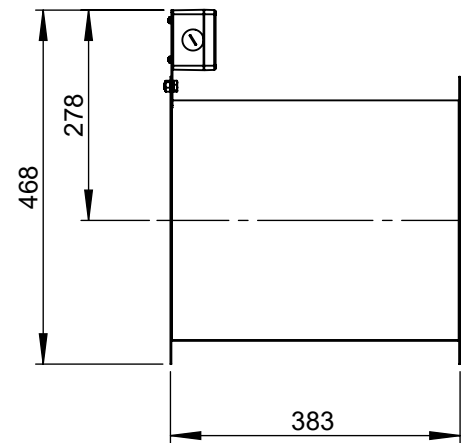
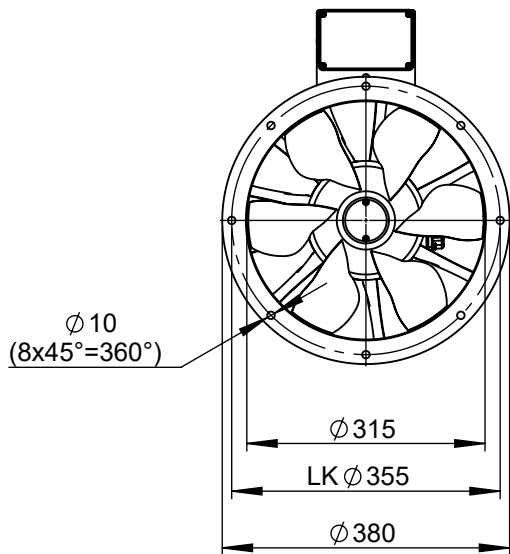


- Certified according to DIN EN 12101-3 (400 °C / 120 min.)
- Suitable for installation in the fire room
- Highest efficiency due to CFD-optimized 3D rotor and 3D stator blades
- Intelligently designed cone hubs
- Smoke extract motors of energy efficiency class IE3
- Exceeds the current ErP regulation by 15-20%
- Variable and stepless control by means of frequency converter
- Dual use for continuous operation up to 60 °C conveyor temperature
- Extensive, tested accessories available

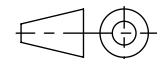
Operating Point		1	2	3	4	5
Current I	A	2,2	1,5	1,8	1,7	1,6
Power consumption P _i	W	1372	857	1087	998	916
Rotation speed n	1/min	3328	3449	3415	3436	3458
SWL inlet L _{WA5}	dB(A)	96	93	90	91	91
SWL outlet L _{WA6}	dB(A)	97	92	94	94	93
SWL housing break out L _{WA2}	dB(A)	79	74	75	73	72

Sound power (L _W) dB(A)		Medium Frequency Band								
		Σ	63	125	250	500	1k	2k	4k	8k
Inlet	L _{WA5}	92	48	57	78	84	86	85	81	73
Outlet	L _{WA6}	95	62	77	91	88	89	87	81	73
Housing radiation	L _{WA2}	75	63	62	73	68	66	66	62	56

AL 315 D2 F4 01 154703	
Voltage U _N	400 V 3~
Current I _{max}	1,9 A
Ambient temperature t _A	60 °C
Conveyed medium temperature t _M	60 °C
Speed Control	f
Motor protection	-
Insulation class motor	H
Weight	18,5 kg
Number of poles	2
IP motor	IP55
IP terminal box	-
IP complete unit	-
Min. operating temperature	-20 °C



ruck^{eu}
 VENTILATOREN
 ruck Ventilatoren
 Max-Planck-Str. 5
 D-97944 Boxberg



1:10 A4 mm

Protection Mark
 according to ISO16016
 Created co.huegel
 Drawn co.huegel
 Released l.benk
 Disabled

General tolerances
 DIN ISO 2768-c

06.05.2020
 06.05.2020
 10.12.2021

AL315D2F401

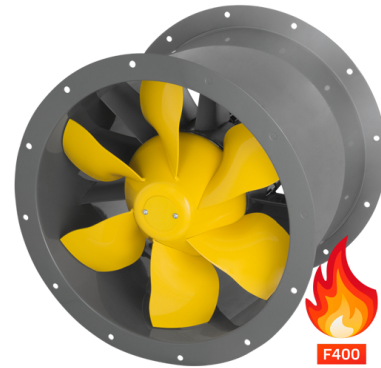
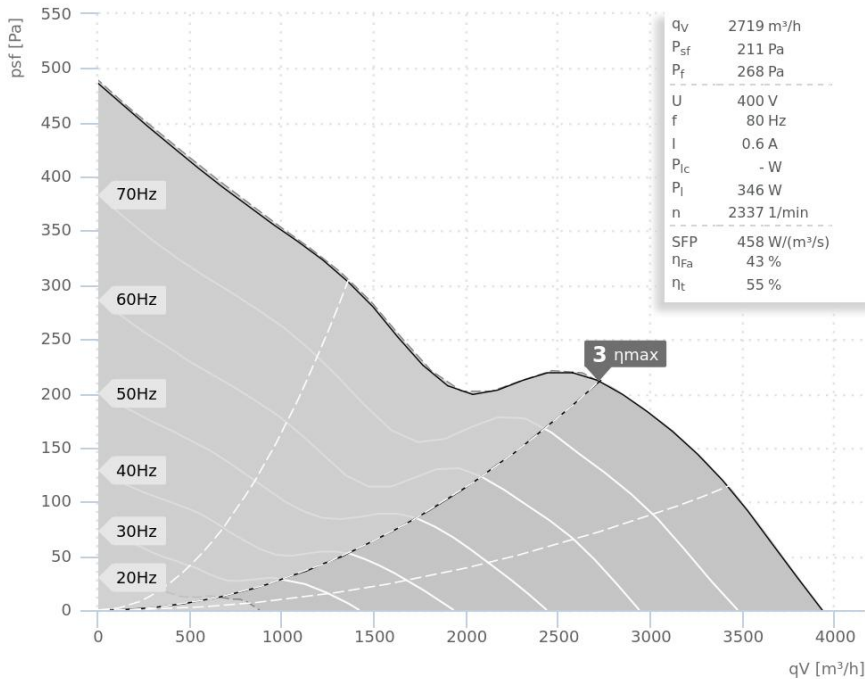
154703 01

VENTAS
 VENTILATORER

DATA SHEET

ruck.eu
VENTILATOREN

AL 315 D4 F4 01 | 154702

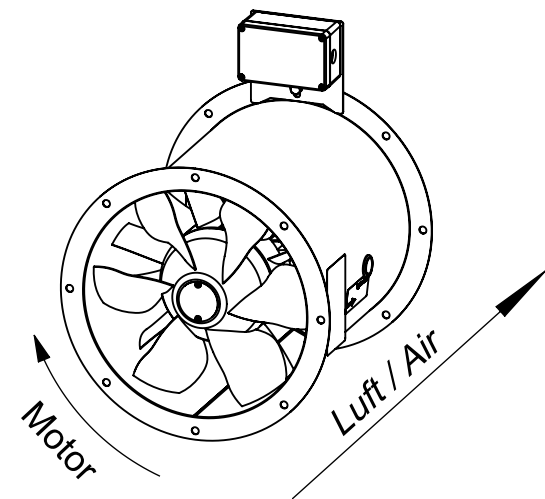
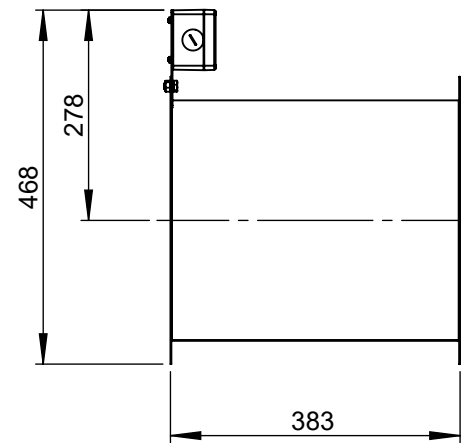
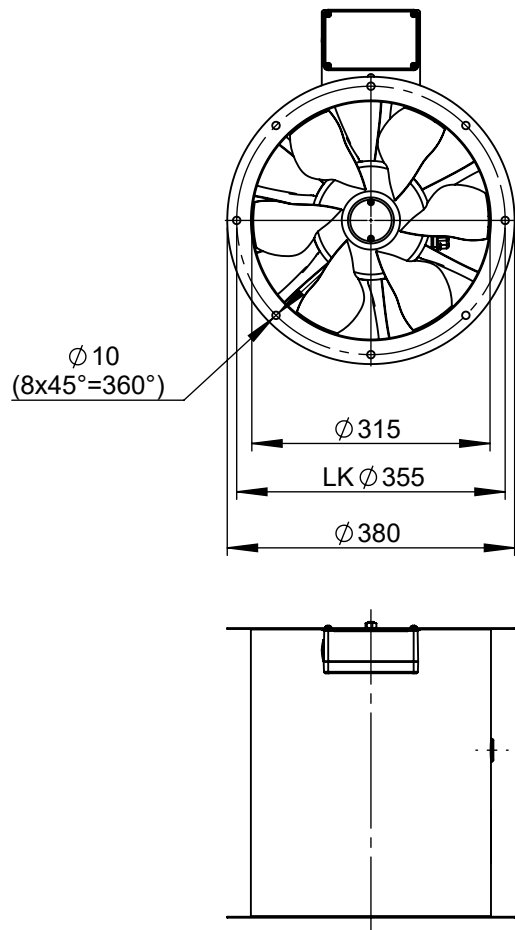


- Certified according to DIN EN 12101-3 (400 °C / 120 min.)
- Suitable for installation in the fire room
- Highest efficiency due to CFD-optimized 3D rotor and 3D stator blades
- Intelligently designed cone hubs
- Smoke extract motors of energy efficiency class IE3
- Exceeds the current ErP regulation by 15-20%
- Variable and stepless control by means of frequency converter
- Dual use for continuous operation up to 60 °C conveyor temperature
- Extensive, tested accessories available

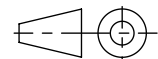
Operating Point		1	2	3	4	5
Current I	A	0,8	0,7	0,6	0,6	0,6
Power consumption P _i	W	472	361	350	337	299
Rotation speed n	1/min	2316	2345	2344	2348	2355
SWL inlet L _{WA5}	dB(A)	87	83	82	85	84
SWL outlet L _{WA6}	dB(A)	85	82	83	83	83
SWL housing break out L _{WA2}	dB(A)	-	-	-	-	-

Sound power (L _W) dB(A)		Medium Frequency Band								
		Σ	63	125	250	500	1k	2k	4k	8k
Inlet	L _{WA5}	83	44	56	71	76	78	75	70	62
Outlet	L _{WA6}	83	55	75	78	77	77	76	70	59
Housing radiation	L _{WA2}	65	47	51	57	57	58	55	51	43

AL 315 D4 F4 01 154702	
Voltage U _N	400 V 3~
Current I _{max}	0,7 A
Ambient temperature t _A	60 °C
Conveyed medium temperature t _M	60 °C
Speed Control	f
Motor protection	-
Insulation class motor	H
Weight	23,1 kg
Number of poles	4
IP motor	IP55
IP terminal box	-
IP complete unit	-
Min. operating temperature	-20 °C



ruck
 VENTILATOREN
 ruck Ventilatoren
 Max-Planck-Str. 5
 D-97944 Boxberg



Protection Mark
 according to ISO 16016
 Created co.huegel
 Drawn co.huegel
 Released l.benk
 Disabled

1:10 A4 mm

General tolerances
 DIN ISO 2768-c

AL315D4F401

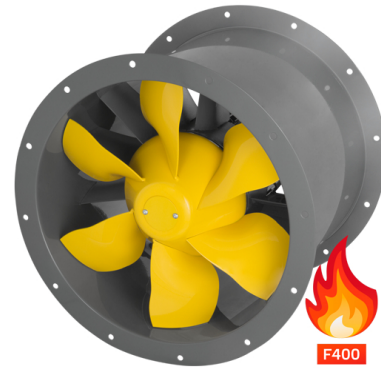
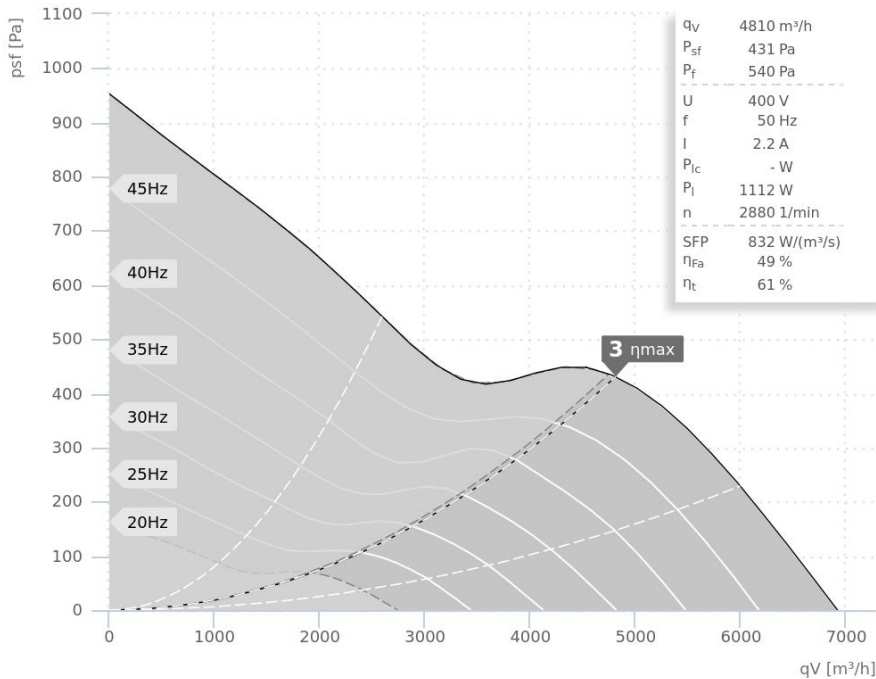
154702 01

VENTAS
 VENTILATOREN

DATA SHEET

ruck.eu
VENTILATOREN

AL 355 D2 F4 01 | 154705



- Certified according to DIN EN 12101-3 (400 °C / 120 min.)
- Suitable for installation in the fire room
- Highest efficiency due to CFD-optimized 3D rotor and 3D stator blades
- Intelligently designed cone hubs
- Smoke extract motors of energy efficiency class IE3
- Exceeds the current ErP regulation by 15-20%
- Variable and stepless control by means of frequency converter
- Dual use for continuous operation up to 60 °C conveyor temperature
- Extensive, tested accessories available

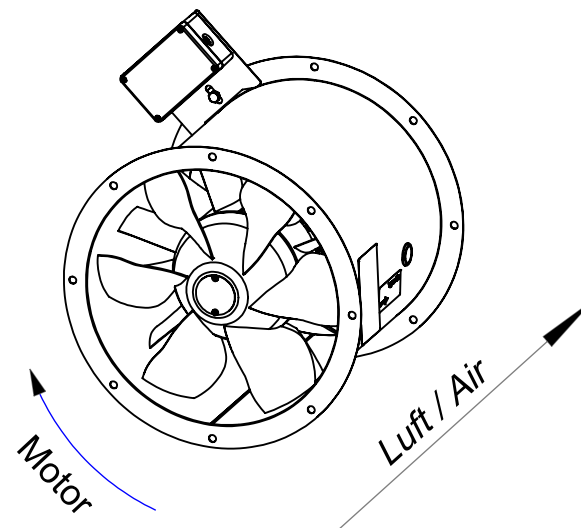
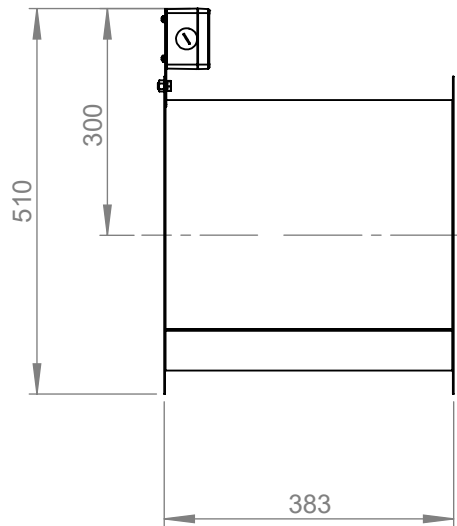
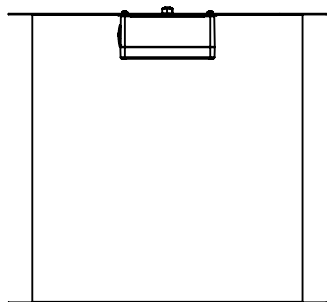
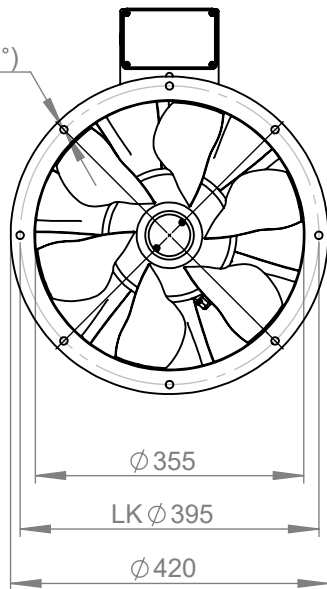
Operating Point		1	2	3	4	5
Current I	A	2,7	2,1	2,2	2,1	2,0
Power consumption P _i	W	1504	1050	1122	1048	942
Rotation speed n	1/min	2804	2888	2879	2893	2906
SWL inlet L _{WA5}	dB(A)	97	92	92	94	93
SWL outlet L _{WA6}	dB(A)	97	91	94	96	96
SWL housing break out L _{WA2}	dB(A)	77	71	73	75	73

Sound power (L _W) dB(A)		Medium Frequency Band								
		Σ	63	125	250	500	1k	2k	4k	8k
Inlet	L _{WA5}	93	54	62	81	87	88	85	80	71
Outlet	L _{WA6}	94	45	58	73	91	90	86	80	72
Housing radiation	L _{WA2}	74	59	51	55	67	67	68	60	52

AL 355 D2 F4 01 154705	
Voltage U _N	400 V 3~
Current I _{max}	2,3 A
Ambient temperature t _A	60 °C
Conveyed medium temperature t _M	60 °C
Speed Control	f
Motor protection	-
Insulation class motor	H
Weight	24,1 kg
Number of poles	2
IP motor	IP55
IP terminal box	-
IP complete unit	-
Min. operating temperature	-20 °C

Ø 10
(8x45°=360°)

(-01)



ruck^{eu}
VENTILATOREN
ruck Ventilatoren
Max-Planck-Str. 5
D-97944 Boxberg



Protection Mark
according to ISO16016
Created co.huegel
Drawn co.huegel
Released d.hancu
Disabled

1:10 A4 mm

General tolerances
DIN ISO 2768-c

06.05.2020

06.05.2020

09.12.2021

AL355D2F401

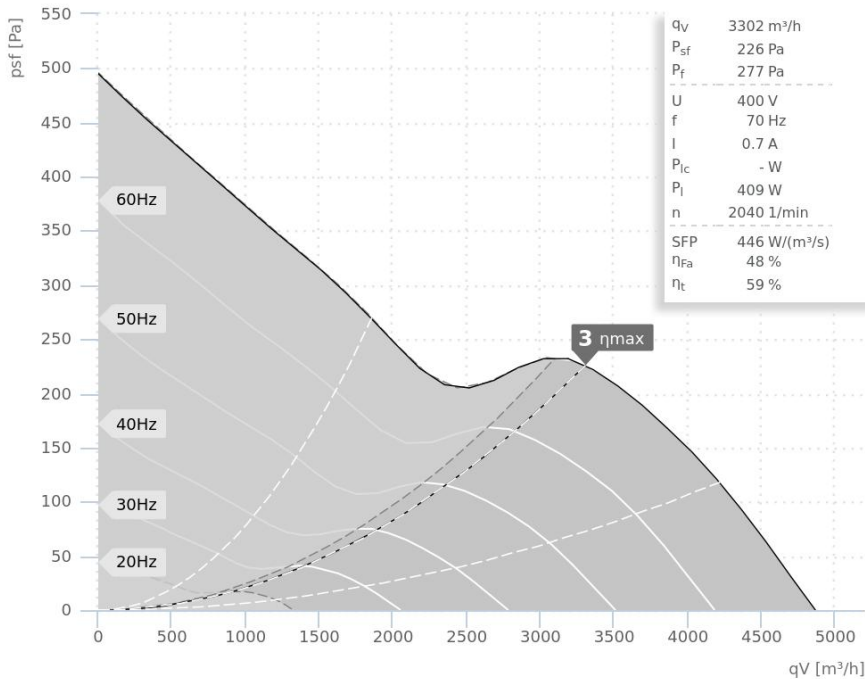
154705 01

VENTAS
VENTILATORER

DATA SHEET

ruck.eu
VENTILATOREN

AL 355 D4 F4 01 | 154704



- Certified according to DIN EN 12101-3 (400 °C / 120 min.)
- Suitable for installation in the fire room
- Highest efficiency due to CFD-optimized 3D rotor and 3D stator blades
- Intelligently designed cone hubs
- Smoke extract motors of energy efficiency class IE3
- Exceeds the current ErP regulation by 15-20%
- Variable and stepless control by means of frequency converter
- Dual use for continuous operation up to 60 °C conveyor temperature
- Extensive, tested accessories available

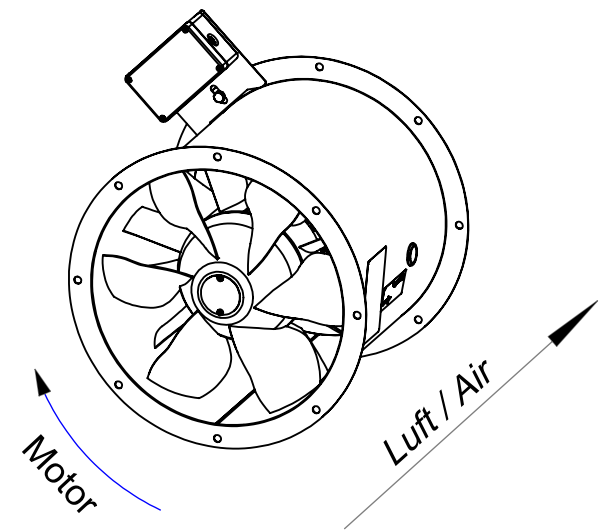
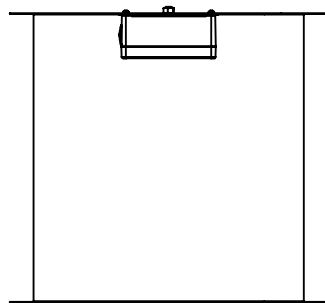
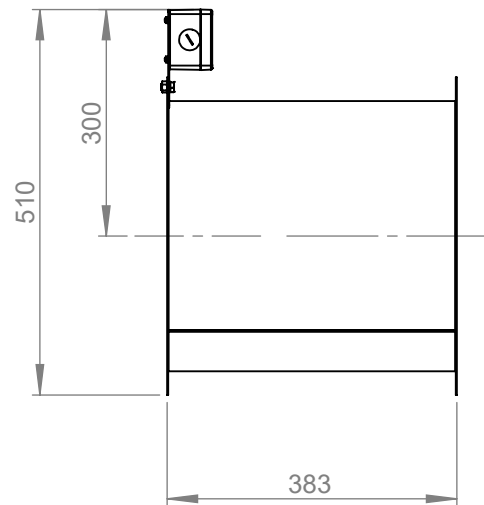
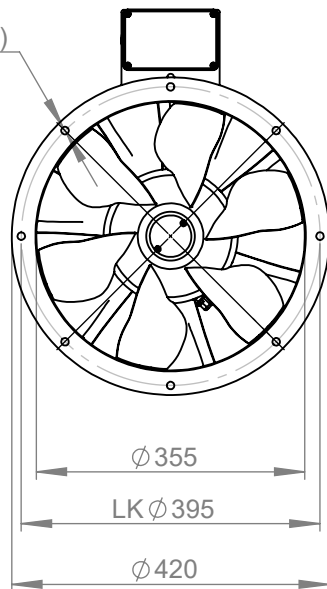
Operating Point		1	2	3	4	5
Current I	A	1,0	0,7	0,8	0,7	0,7
Power consumption P _i	W	572	350	425	394	343
Rotation speed n	1/min	2011	2053	2041	2046	2054
SWL inlet L _{WA5}	dB(A)	89	83	82	83	83
SWL outlet L _{WA6}	dB(A)	88	82	83	83	83
SWL housing break out L _{WA2}	dB(A)	69	65	65	66	67

Sound power (L _W) dB(A)		Medium Frequency Band								
		Σ	63	125	250	500	1k	2k	4k	8k
Inlet	L _{WA5}	82	49	63	74	77	76	75	69	61
Outlet	L _{WA6}	83	56	76	77	78	78	75	69	60
Housing radiation	L _{WA2}	65	55	58	56	60	57	54	52	41

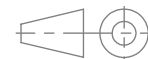
AL 355 D4 F4 01 154704	
Voltage U _N	400 V 3~
Current I _{max}	0,8 A
Ambient temperature t _A	60 °C
Conveyed medium temperature t _M	60 °C
Speed Control	f
Motor protection	-
Insulation class motor	H
Weight	24,1 kg
Number of poles	-
IP motor	IP55
IP terminal box	-
IP complete unit	-
Min. operating temperature	-20 °C

Ø 10
(8x45°=360°)

(-01)



ruck^{eu}
VENTILATOREN
ruck Ventilatoren
Max-Planck-Str. 5
D-97944 Boxberg



Protection Mark
according to ISO16016
Created co.huegel
Drawn co.huegel
Released d.hancu
Disabled

1:10 A4 mm

General tolerances
DIN ISO 2768-c

06.05.2020

06.05.2020

09.12.2021

AL355D4F401

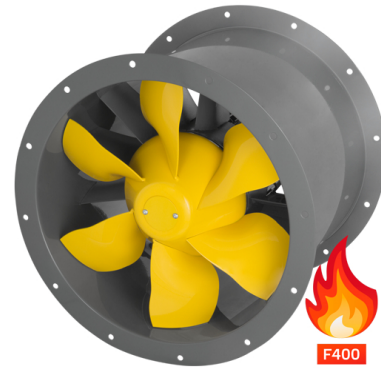
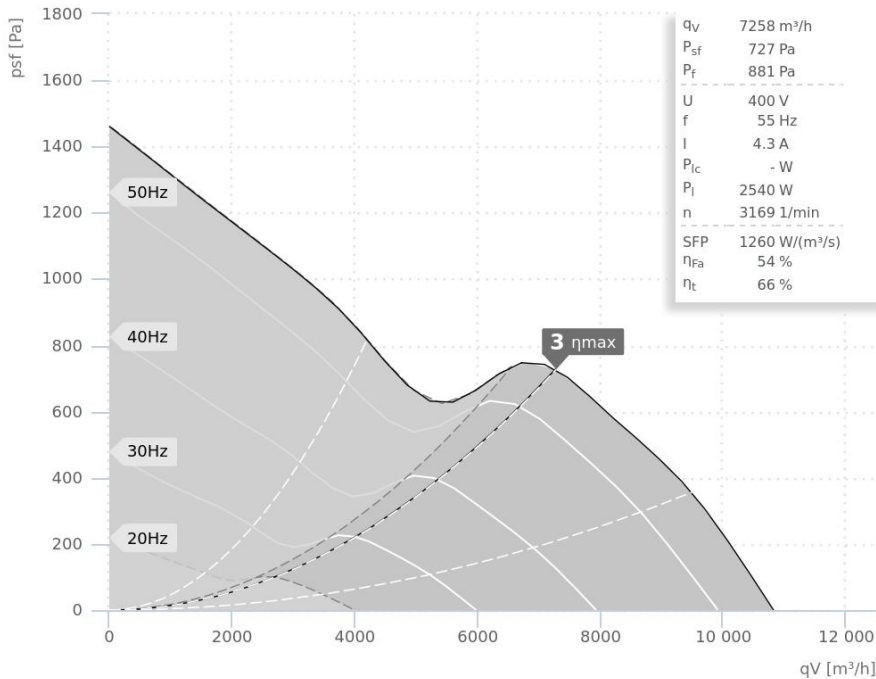
154704 01

VENTAS
VENTILATORER

DATA SHEET

ruck.eu
VENTILATOREN

AL 400 D2 F4 01 | 154707

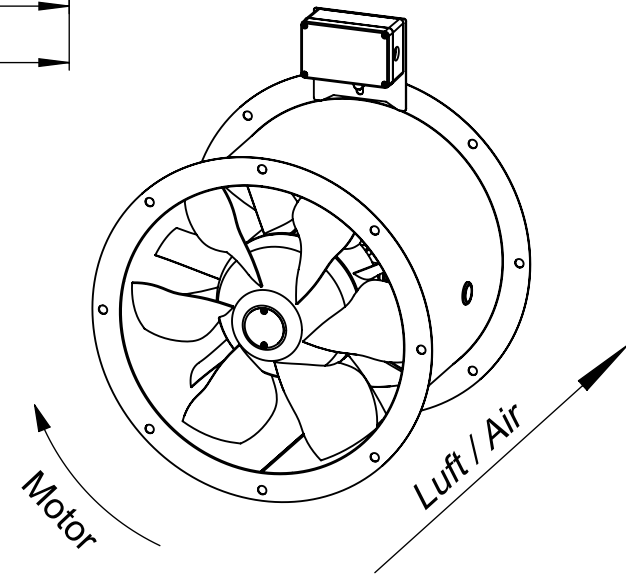
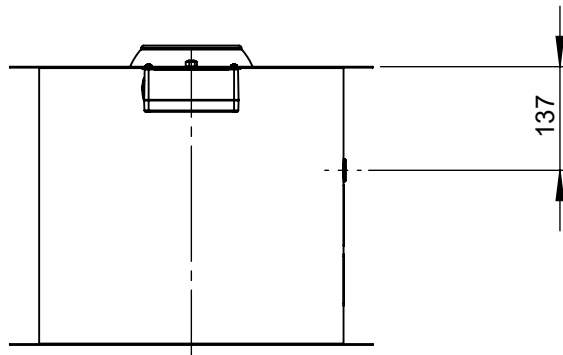
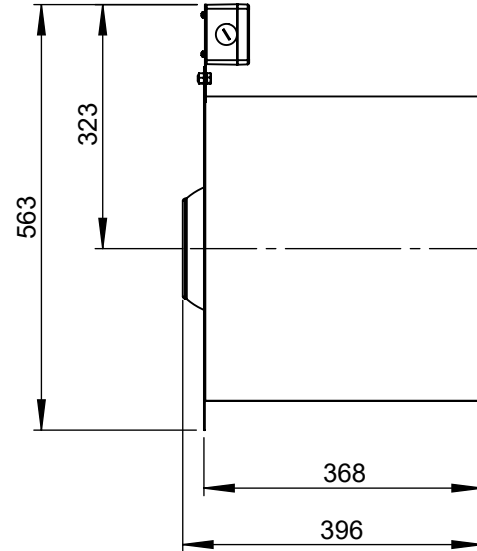
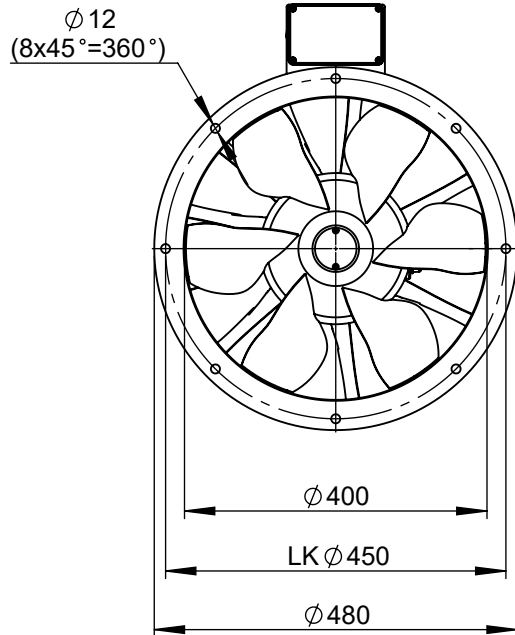


- Certified according to DIN EN 12101-3 (400 °C / 120 min.)
- Suitable for installation in the fire room
- Highest efficiency due to CFD-optimized 3D rotor and 3D stator blades
- Intelligently designed cone hubs
- Smoke extract motors of energy efficiency class IE3
- Exceeds the current ErP regulation by 15-20%
- Variable and stepless control by means of frequency converter
- Dual use for continuous operation up to 60 °C conveyor temperature
- Extensive, tested accessories available

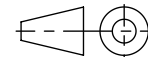
Operating Point		1	2	3	4	5
Current I	A	5,7	3,6	4,3	4,0	3,5
Power consumption P _i	W	3461	2066	2513	2303	1998
Rotation speed n	1/min	3086	3197	3171	3193	3206
SWL inlet L _{WA5}	dB(A)	103	98	97	98	99
SWL outlet L _{WA6}	dB(A)	103	97	99	100	101
SWL housing break out L _{WA2}	dB(A)	84	78	77	77	76

Sound power (L _W) dB(A)		Medium Frequency Band								
		Σ	63	125	250	500	1k	2k	4k	8k
Inlet	L _{WA5}	98	61	70	87	92	91	90	85	77
Outlet	L _{WA6}	99	55	65	79	94	94	90	85	77
Housing radiation	L _{WA2}	77	66	65	71	71	73	68	63	55

AL 400 D2 F4 01 154707	
Voltage U _N	400 V 3~
Current I _{max}	4,5 A
Ambient temperature t _A	60 °C
Conveyed medium temperature t _M	60 °C
Speed Control	f
Motor protection	-
Insulation class motor	H
Weight	34,1 kg
Number of poles	2
IP motor	IP55
IP terminal box	-
IP complete unit	-
Min. operating temperature	-20 °C



ruck^{eu}
 VENTILATOREN
 ruck Ventilatoren
 Max-Planck-Str. 5
 D-97944 Boxberg



1:10 A4 mm

Protection Mark
 according to ISO16016
 Created co.huegel
 Drawn co.huegel
 Released l.benk
 Disabled

General tolerances
 DIN ISO 2768-c

06.05.2020
 06.05.2020
 13.12.2021

AL400D2F401

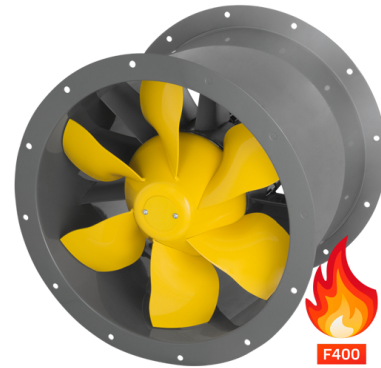
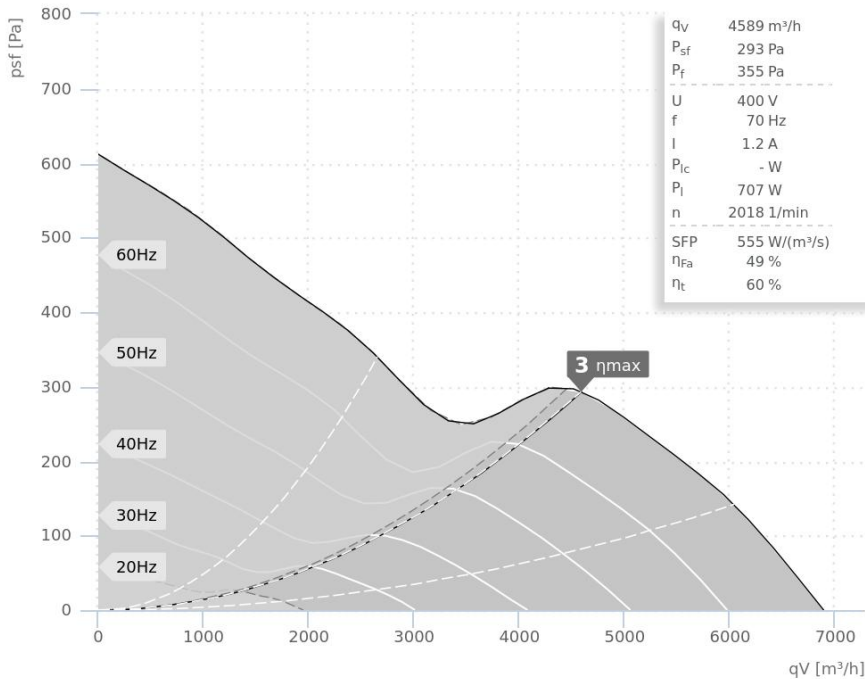
154707 01

VENTAS
 VENTILATORER

DATA SHEET

ruck.eu
VENTILATOREN

AL 400 D4 F4 01 | 154706



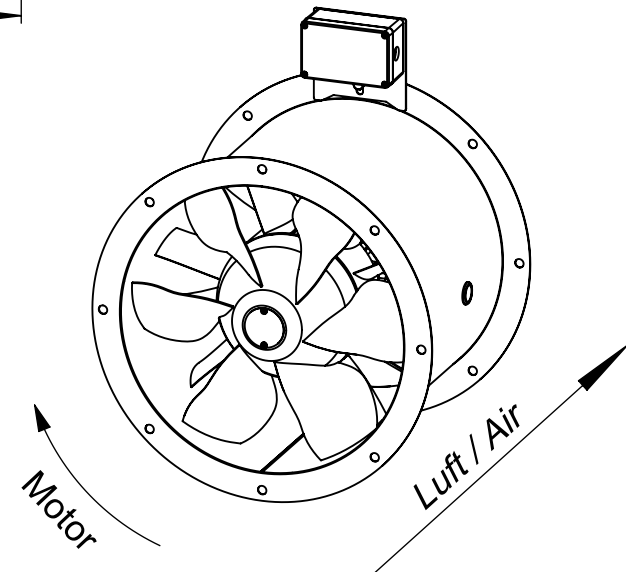
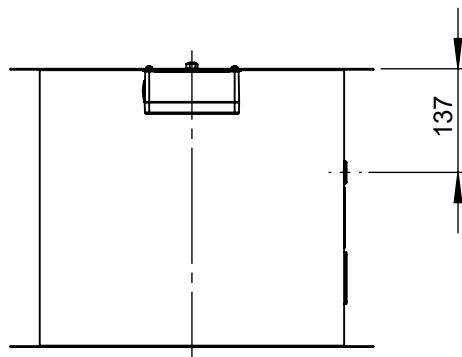
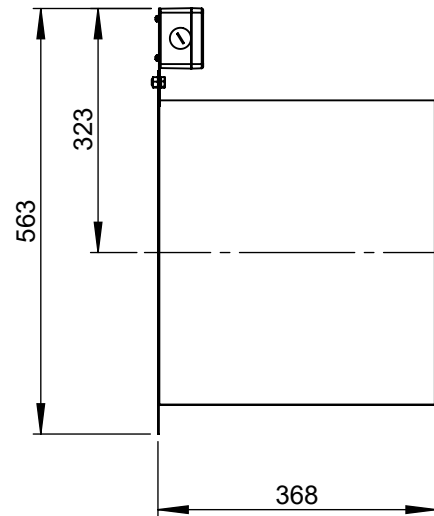
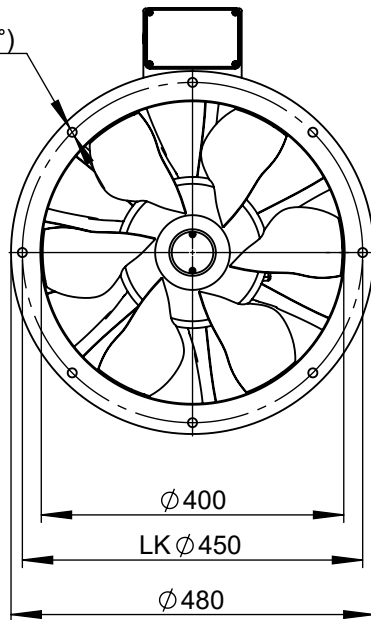
- Certified according to DIN EN 12101-3 (400 °C / 120 min.)
- Suitable for installation in the fire room
- Highest efficiency due to CFD-optimized 3D rotor and 3D stator blades
- Intelligently designed cone hubs
- Smoke extract motors of energy efficiency class IE3
- Exceeds the current ErP regulation by 15-20%
- Variable and stepless control by means of frequency converter
- Dual use for continuous operation up to 60 °C conveyor temperature
- Extensive, tested accessories available

Operating Point		1	2	3	4	5
Current I	A	1,6	1,1	1,2	1,1	1,0
Power consumption P_1	W	1003	601	711	649	568
Rotation speed n	1/min	1978	2036	2018	2027	2037
SWL inlet L_{WA5}	dB(A)	92	87	84	84	85
SWL outlet L_{WA6}	dB(A)	92	85	85	85	85
SWL housing break out L_{WA2}	dB(A)	73	69	69	71	71

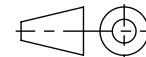
Sound power (L_W) dB(A)		Medium Frequency Band								
		Σ	63	125	250	500	1k	2k	4k	8k
Inlet	L_{WA5}	85	46	58	69	78	81	78	73	63
Outlet	L_{WA6}	85	51	69	75	79	80	77	72	64
Housing radiation	L_{WA2}	69	51	55	57	67	61	58	52	43

AL 400 D4 F4 01 154706	
Voltage U_N	400 V 3~
Current I_{max}	1,3 A
Ambient temperature t_A	60 °C
Conveyed medium temperature t_M	60 °C
Speed Control	f
Motor protection	-
Insulation class motor	H
Weight	27,1 kg
Number of poles	4
IP motor	IP55
IP terminal box	-
IP complete unit	-
Min. operating temperature	-20 °C

Ø 12
(8x45°=360°)



ruck^{eu}
VENTILATOREN
ruck Ventilatoren
Max-Planck-Str. 5
D-97944 Boxberg



1:10 A4 mm

Protection Mark
according to ISO16016

General tolerances
DIN ISO 2768-c

AL400D4F401

Created co.huegel

06.05.2020

Drawn co.huegel

06.05.2020

Released d.hancu

28.10.2021

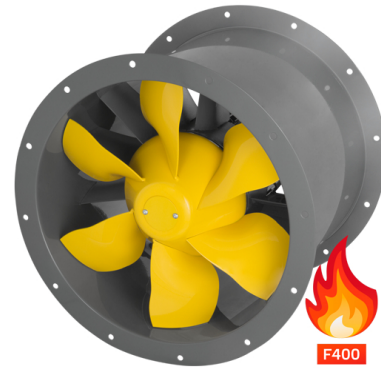
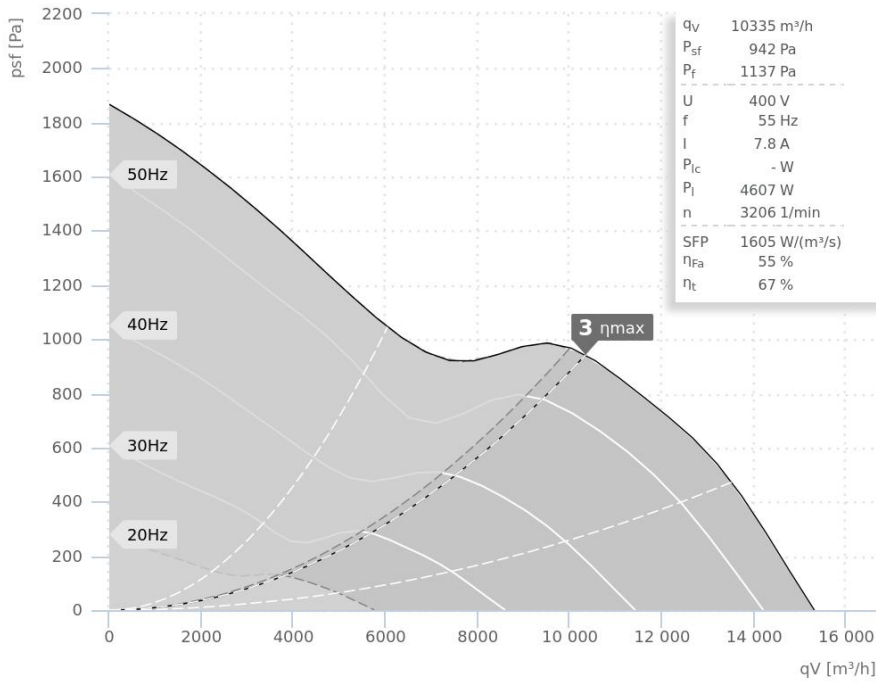
154706 01

Disabled

VENTAS
VENTILATOREN

DATA SHEET

AL 450 D2 F4 01 | 154709



- Certified according to DIN EN 12101-3 (400 °C / 120 min.)
- Suitable for installation in the fire room
- Highest efficiency due to CFD-optimized 3D rotor and 3D stator blades
- Intelligently designed cone hubs
- Smoke extract motors of energy efficiency class IE3
- Exceeds the current ErP regulation by 15-20%
- Variable and stepless control by means of frequency converter
- Dual use for continuous operation up to 60 °C conveyor temperature
- Extensive, tested accessories available

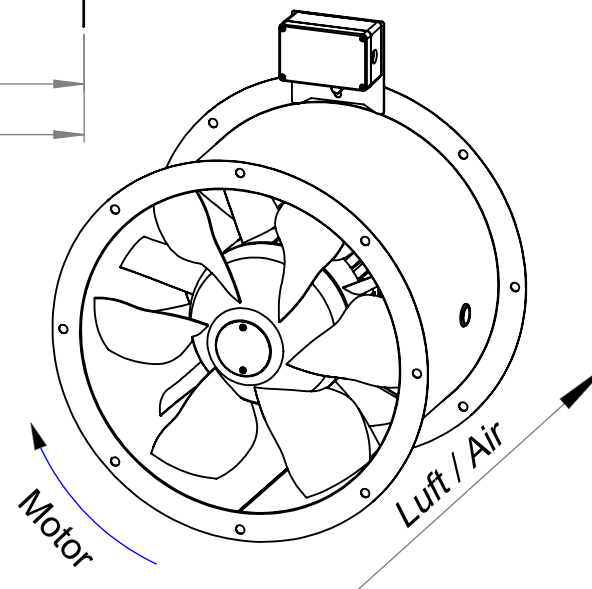
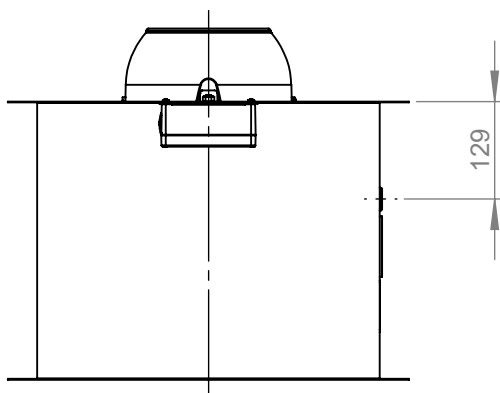
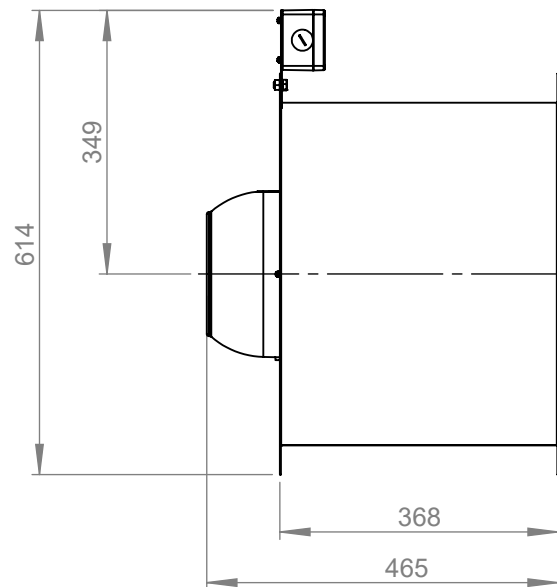
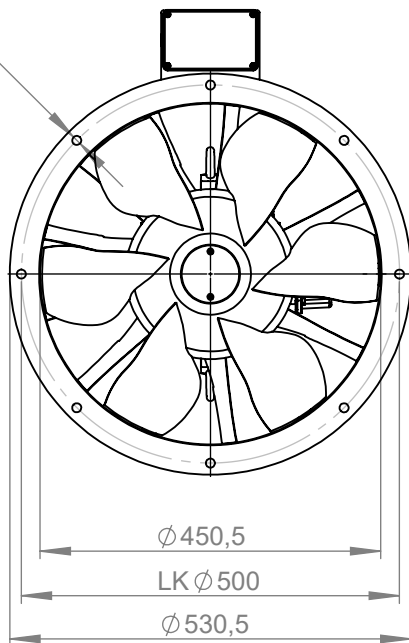
Operating Point		1	2	3	4	5
Current I	A	10,2	7,4	7,5	7,3	6,9
Power consumption P _i	W	6127	4346	4428	4232	3947
Rotation speed n	1/min	3122	3215	3215	3218	3222
SWL inlet L _{WA5}	dB(A)	107	98	102	101	102
SWL outlet L _{WA6}	dB(A)	107	102	102	105	105
SWL housing break out L _{WA2}	dB(A)	87	82	83	84	84

Sound power (L _W) dB(A)		Medium Frequency Band								
		Σ	63	125	250	500	1k	2k	4k	8k
Inlet	L _{WA5}	102	68	79	94	98	96	93	88	80
Outlet	L _{WA6}	101	76	92	99	102	98	93	88	80
Housing radiation	L _{WA2}	83	68	68	75	78	77	72	66	57

AL 450 D2 F4 01 154709	
Voltage U _N	400 V 3~
Current I _{max}	8,1 A
Ambient temperature t _A	60 °C
Conveyed medium temperature t _M	60 °C
Speed Control	f
Motor protection	-
Insulation class motor	H
Weight	53,4 kg
Number of poles	2
IP motor	IP55
IP terminal box	-
IP complete unit	-
Min. operating temperature	-20 °C

Ø 12
(8x45°=360°)

(-01)



ruck^{eu}
VENTILATOREN
ruck Ventilatoren
Max-Planck-Str. 5
D-97944 Boxberg



1:10 A4 mm

Protection Mark
according to ISO16016

General tolerances
DIN ISO 2768-c

Created co.huegel
Drawn co.huegel
Released d.hancu
Disabled

06.05.2020
06.05.2020
26.10.2021

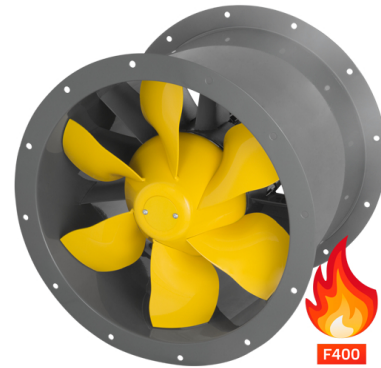
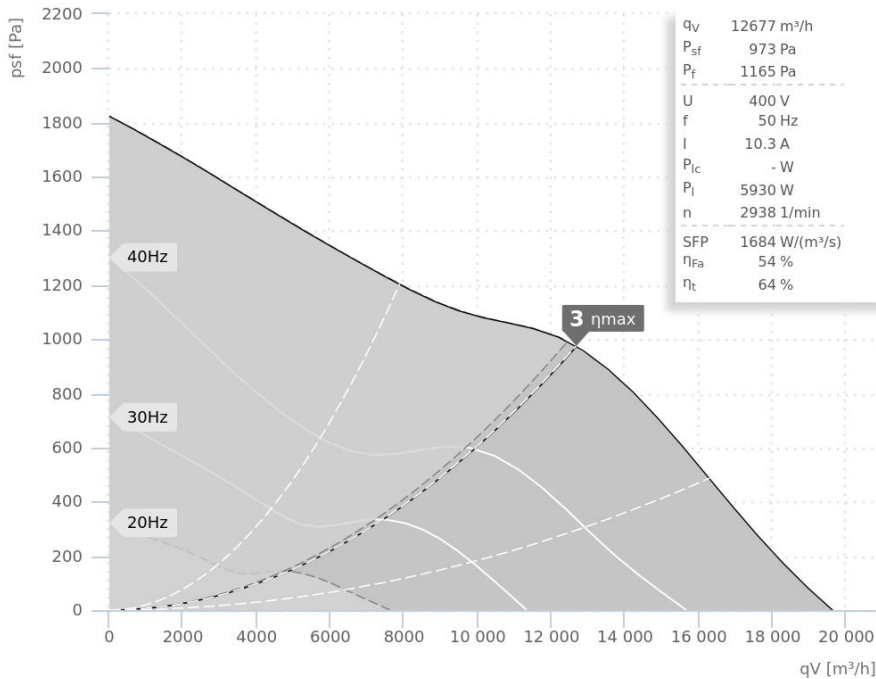
AL450D2F401

154709 01

VENTAS
VENTILATOREN

DATA SHEET

AL 500 D2 F4 01 | 154711



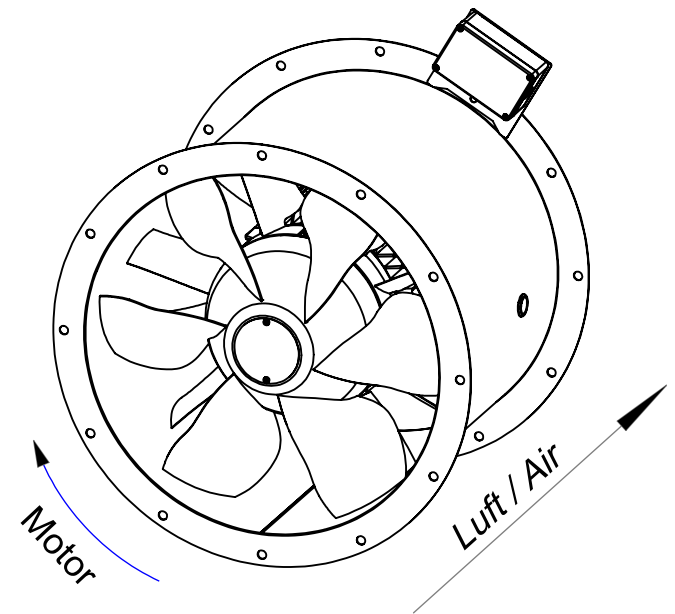
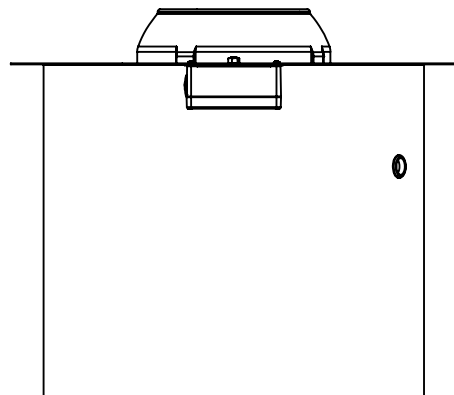
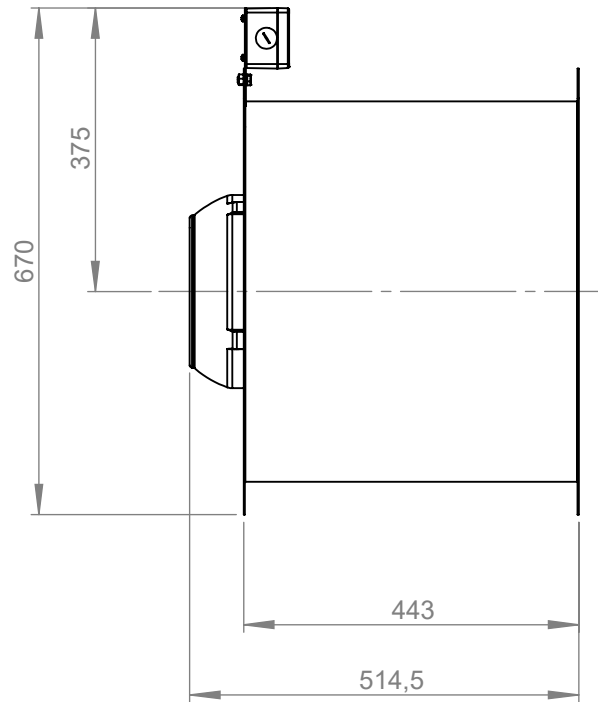
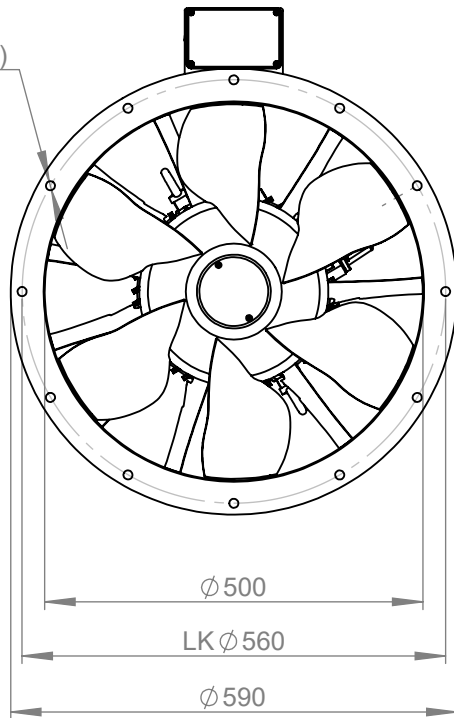
- Certified according to DIN EN 12101-3 (400 °C / 120 min.)
- Suitable for installation in the fire room
- Highest efficiency due to CFD-optimized 3D rotor and 3D stator blades
- Intelligently designed cone hubs
- Smoke extract motors of energy efficiency class IE3
- Exceeds the current ErP regulation by 15-20%
- Variable and stepless control by means of frequency converter
- Dual use for continuous operation up to 60 °C conveyor temperature
- Extensive, tested accessories available

Operating Point		1	2	3	4	5
Current I	A	9,0	10,0	10,3	9,6	8,5
Power consumption P _i	W	5007	5750	5897	5420	4674
Rotation speed n	1/min	2940	2936	2941	2950	2955
SWL inlet L _{WA5}	dB(A)	103	104	101	103	103
SWL outlet L _{WA6}	dB(A)	109	104	104	105	107
SWL housing break out L _{WA2}	dB(A)	92	87	85	84	84

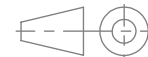
Sound power (L _W) dB(A)		Medium Frequency Band								
		Σ	63	125	250	500	1k	2k	4k	8k
Inlet	L _{WA5}	102	57	87	84	97	95	97	90	82
Outlet	L _{WA6}	104	63	78	89	100	98	94	89	81
Housing radiation	L _{WA2}	85	67	73	76	80	80	74	71	67

AL 500 D2 F4 01 154711	
Voltage U _N	400 V 3~
Current I _{max}	10,8 A
Ambient temperature t _A	60 °C
Conveyed medium temperature t _M	60 °C
Speed Control	f
Motor protection	-
Insulation class motor	H
Weight	82,3 kg
Number of poles	2
IP motor	IP55
IP terminal box	-
IP complete unit	-
Min. operating temperature	-20 °C

Ø 12
(12x30°=360°)



ruck^{eu}
VENTILATOREN
ruck Ventilatoren
Max-Planck-Str. 5
D-97944 Boxberg



Protection Mark
according to ISO16016
Created co.huegel
Drawn co.huegel
Released d.hancu
Disabled

1:10 A4 mm

General tolerances
DIN ISO 2768-c

06.05.2020

06.05.2020

13.12.2021

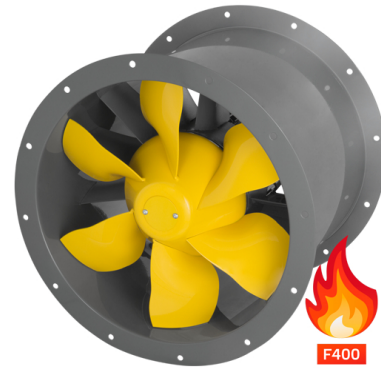
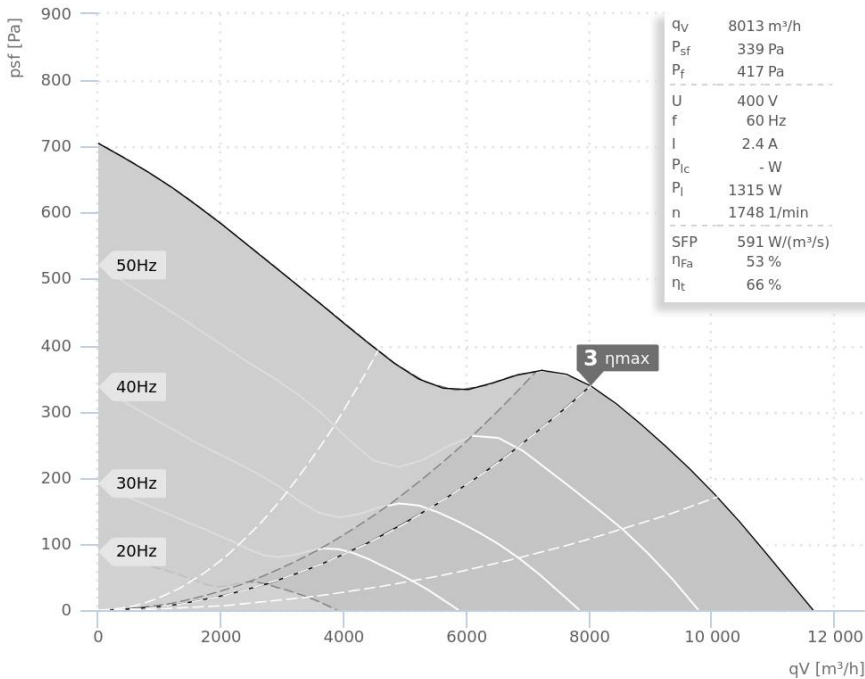
AL500D2F401

154711 00

VENTAS
VENTILATORER

DATA SHEET

AL 500 D4 F4 01 | 154710



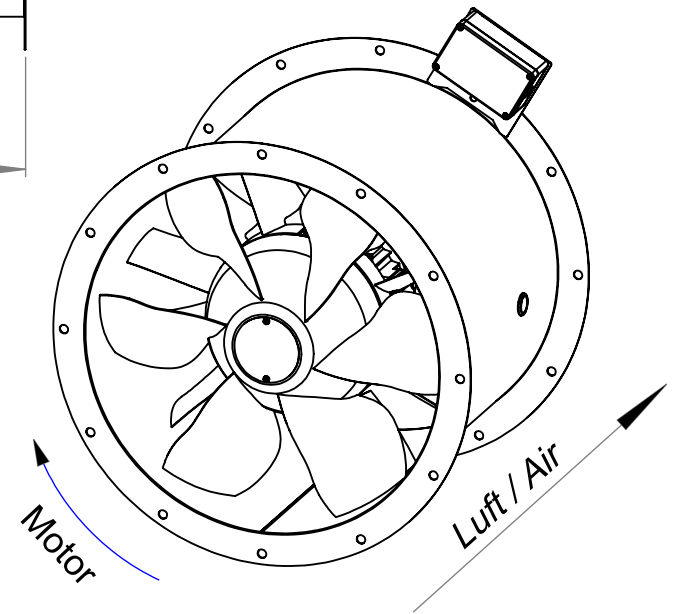
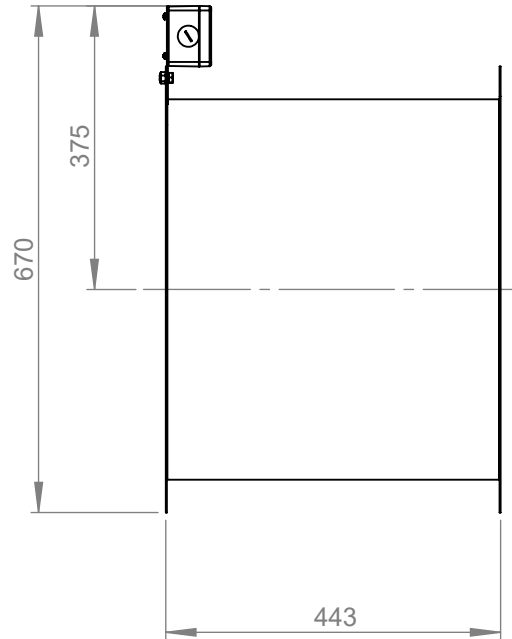
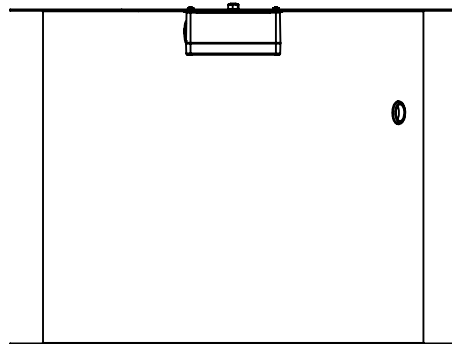
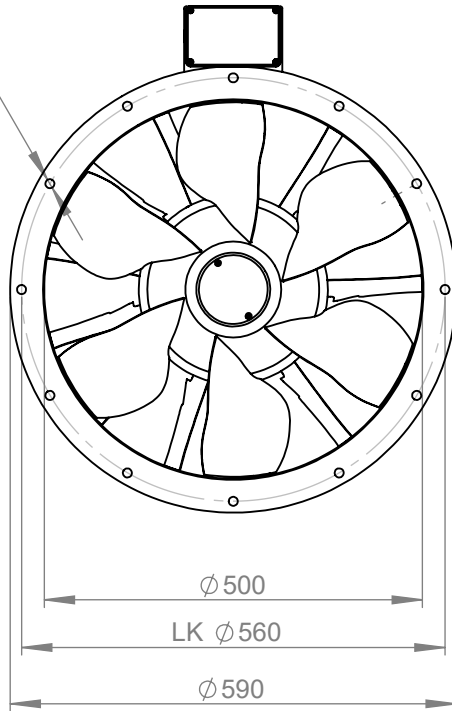
- Certified according to DIN EN 12101-3 (400 °C / 120 min.)
- Suitable for installation in the fire room
- Highest efficiency due to CFD-optimized 3D rotor and 3D stator blades
- Intelligently designed cone hubs
- Smoke extract motors of energy efficiency class IE3
- Exceeds the current ErP regulation by 15-20%
- Variable and stepless control by means of frequency converter
- Dual use for continuous operation up to 60 °C conveyor temperature
- Extensive, tested accessories available

Operating Point		1	2	3	4	5
Current I	A	3,1	2,2	2,4	2,2	2,0
Power consumption P _I	W	1786	1164	1328	1181	1026
Rotation speed n	1/min	1711	1754	1747	1755	1760
SWL inlet L _{WA5}	dB(A)	95	89	88	88	88
SWL outlet L _{WA6}	dB(A)	95	88	90	90	90
SWL housing break out L _{WA2}	dB(A)	75	69	71	74	73

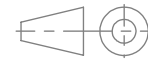
Sound power (L _W) dB(A)		Medium Frequency Band								
		Σ	63	125	250	500	1k	2k	4k	8k
Inlet	L _{WA5}	88	52	66	80	83	83	80	74	67
Outlet	L _{WA6}	90	61	77	80	85	85	80	75	66
Housing radiation	L _{WA2}	71	42	50	59	65	67	58	53	45

AL 500 D4 F4 01 154710	
Voltage U _N	400 V 3~
Current I _{max}	2,5 A
Ambient temperature t _A	60 °C
Conveyed medium temperature t _M	60 °C
Speed Control	f
Motor protection	-
Insulation class motor	H
Weight	42,6 kg
Number of poles	4
IP motor	IP55
IP terminal box	-
IP complete unit	-
Min. operating temperature	-20 °C

Ø 12
(12x30°=360°)



ruck^{eu}
VENTILATOREN
ruck Ventilatoren
Max-Planck-Str. 5
D-97944 Boxberg



Protection Mark
according to ISO16016
Created co.huegel
Drawn co.huegel
Released d.hancu
Disabled

1:10 A4 mm

General tolerances
DIN ISO 2768-c
06.05.2020
06.05.2020
13.12.2021

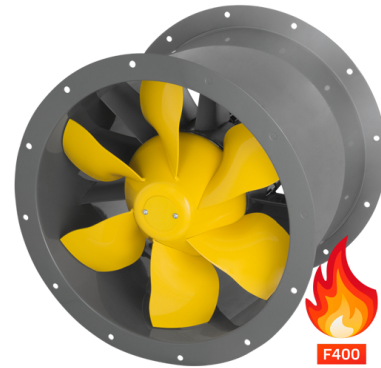
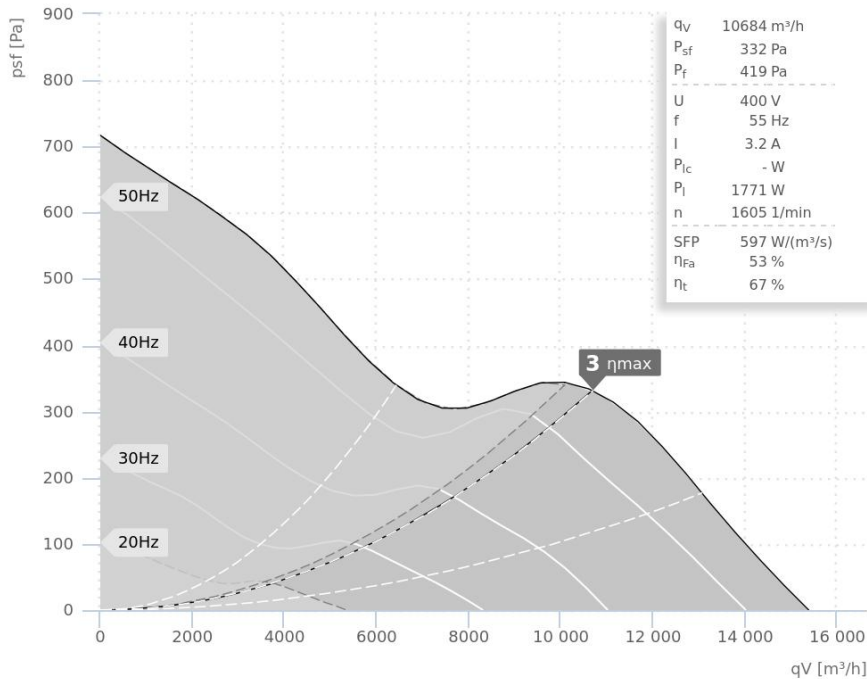
AL500D4F401

154710 00

VENTAS
VENTILATORER

DATA SHEET

AL 560 D4 F4 01 | 154712

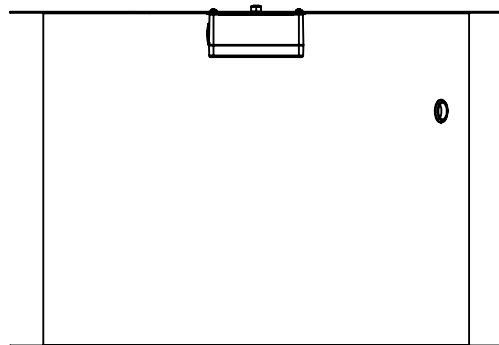
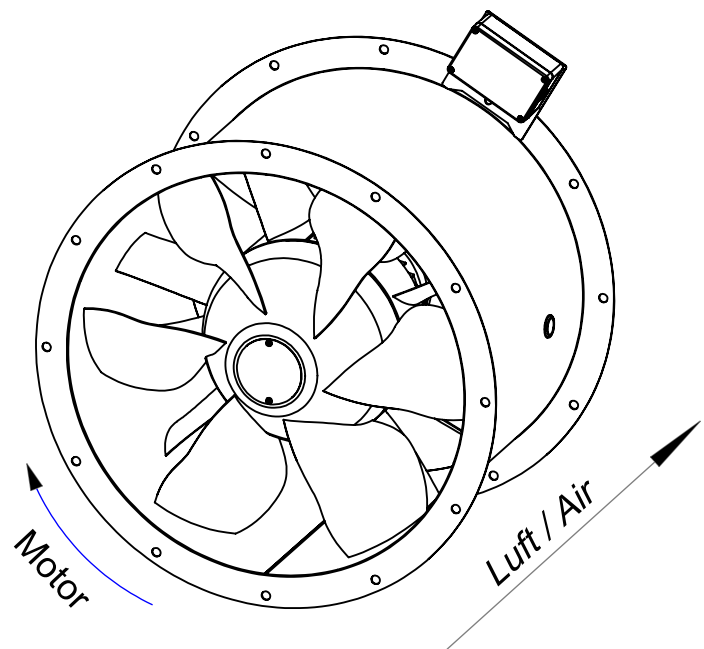
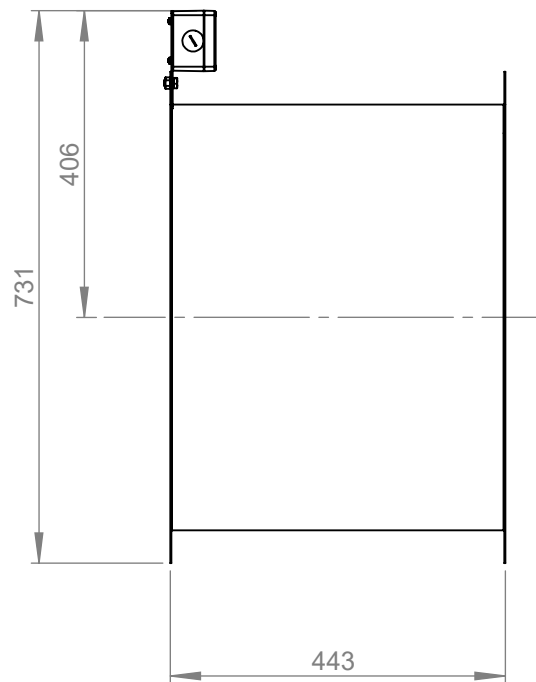
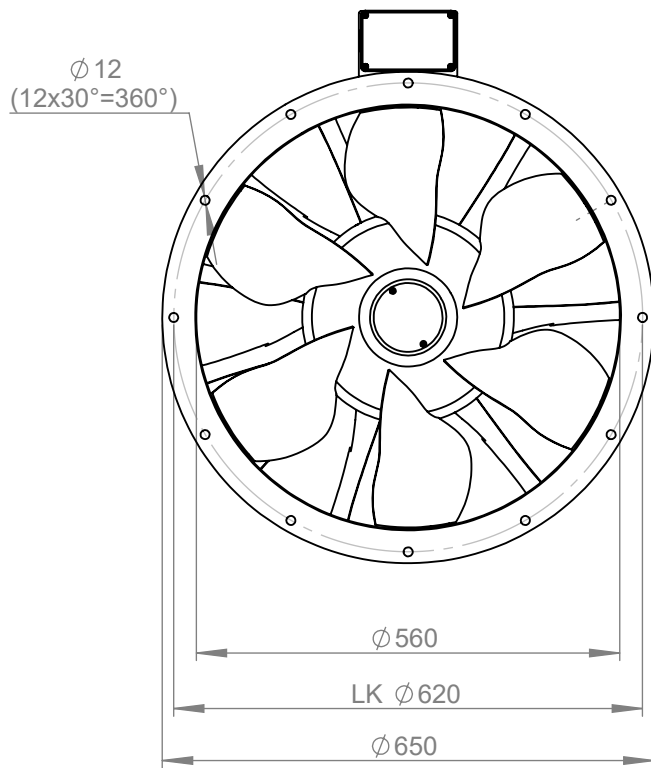


- Certified according to DIN EN 12101-3 (400 °C / 120 min.)
- Suitable for installation in the fire room
- Highest efficiency due to CFD-optimized 3D rotor and 3D stator blades
- Intelligently designed cone hubs
- Smoke extract motors of energy efficiency class IE3
- Exceeds the current ErP regulation by 15-20%
- Variable and stepless control by means of frequency converter
- Dual use for continuous operation up to 60 °C conveyor temperature
- Extensive, tested accessories available

Operating Point		1	2	3	4	5
Current I	A	4,4	2,8	3,3	3,0	2,7
Power consumption P _i	W	2555	1459	1840	1627	1385
Rotation speed n	1/min	1591	1611	1601	1611	1614
SWL inlet L _{WA5}	dB(A)	98	91	90	90	90
SWL outlet L _{WA6}	dB(A)	98	90	91	92	92
SWL housing break out L _{WA2}	dB(A)	78	73	72	73	73

Sound power (L _W) dB(A)		Medium Frequency Band								
		Σ	63	125	250	500	1k	2k	4k	8k
Inlet	L _{WA5}	90	52	67	81	84	85	82	78	69
Outlet	L _{WA6}	90	54	75	82	84	86	82	77	68
Housing radiation	L _{WA2}	72	56	62	62	66	67	62	57	49

AL 560 D4 F4 01 154712	
Voltage U _N	400 V 3~
Current I _{max}	3,4 A
Ambient temperature t _A	60 °C
Conveyed medium temperature t _M	60 °C
Speed Control	f
Motor protection	-
Insulation class motor	H
Weight	47,7 kg
Number of poles	4
IP motor	IP55
IP terminal box	-
IP complete unit	-
Min. operating temperature	-20 °C



ruck^{eu}
 VENTILATOREN
 ruck Ventilatoren
 Max-Planck-Str. 5
 D-97944 Boxberg



Protection Mark
 according to ISO 16016
 Created co.huegel
 Drawn co.huegel
 Released d.hancu
 Disabled

1:10 A4 mm

General tolerances
 DIN ISO 2768-c

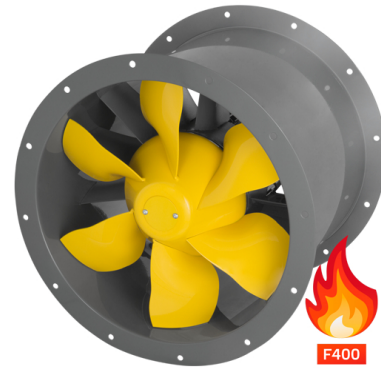
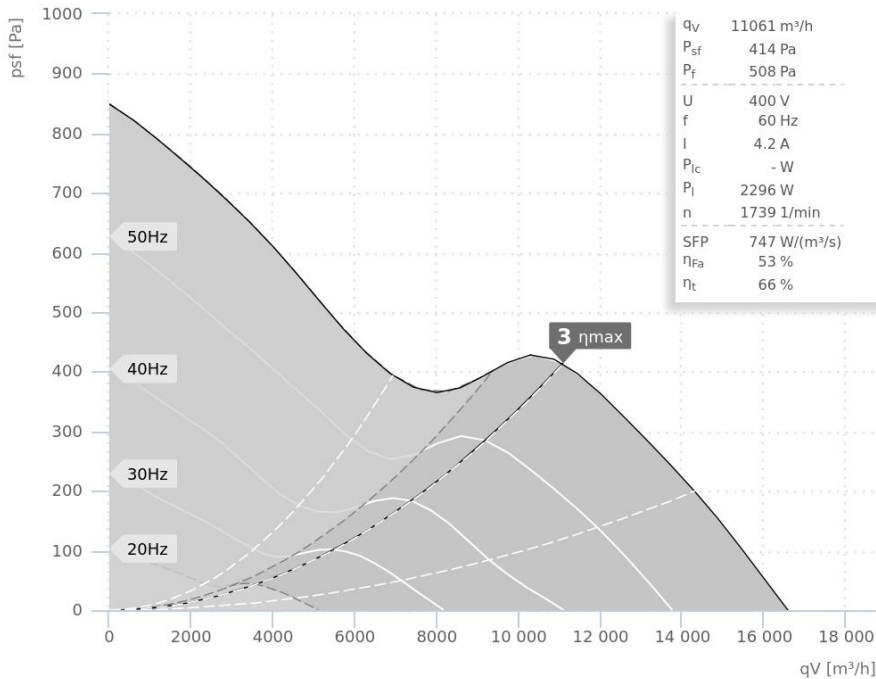
AL560D4F401

154712 00

VENTAS
 VENTILATORER

DATA SHEET

AL 560 D4 F4 02 | 154713



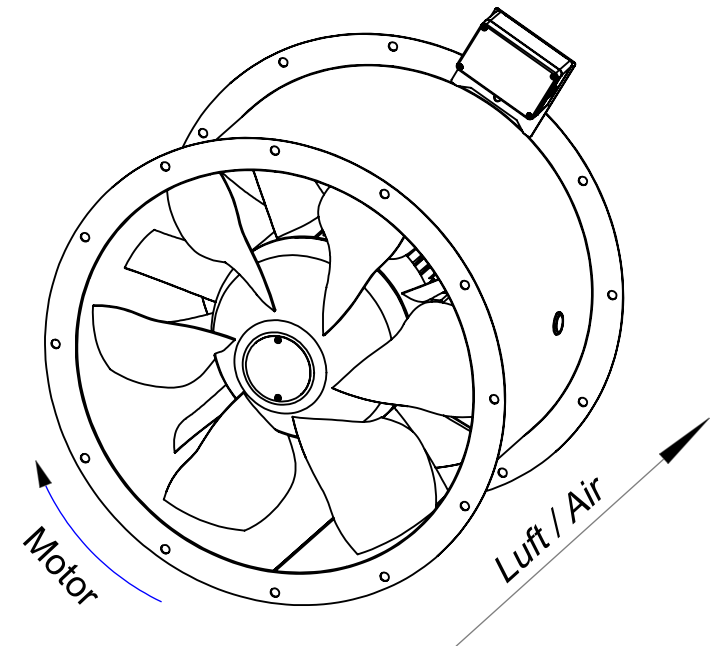
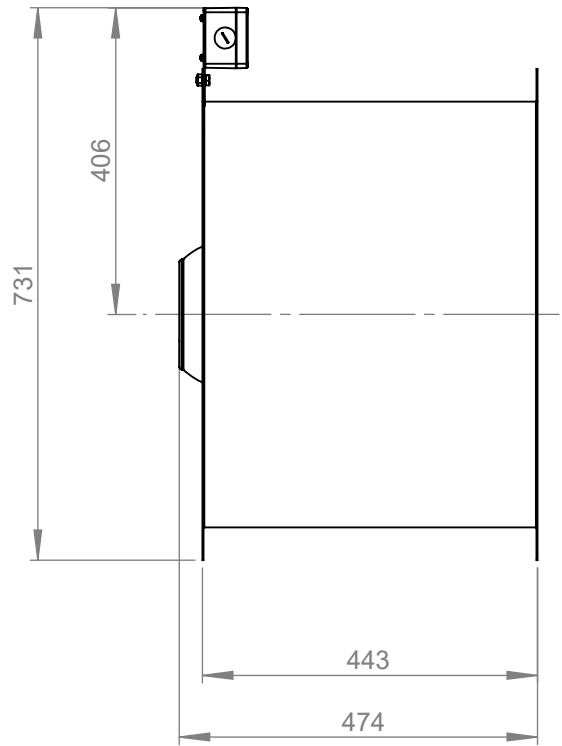
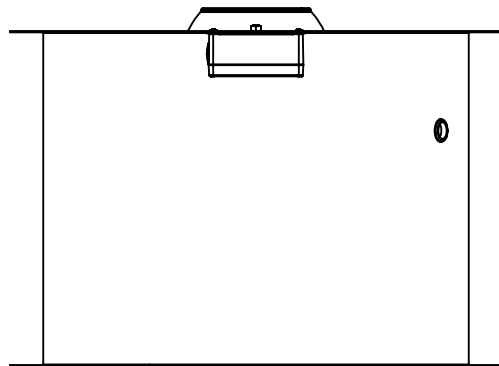
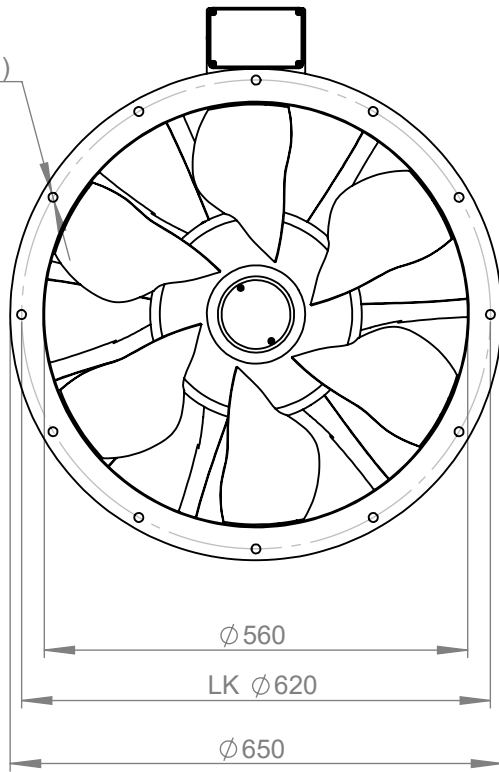
- Certified according to DIN EN 12101-3 (400 °C / 120 min.)
- Suitable for installation in the fire room
- Highest efficiency due to CFD-optimized 3D rotor and 3D stator blades
- Intelligently designed cone hubs
- Smoke extract motors of energy efficiency class IE3
- Exceeds the current ErP regulation by 15-20%
- Variable and stepless control by means of frequency converter
- Dual use for continuous operation up to 60 °C conveyor temperature
- Extensive, tested accessories available

Operating Point		1	2	3	4	5
Current I	A	0,0	0,0	0,0	0,0	0,0
Power consumption P _i	W	-	-	-	-	-
Rotation speed n	1/min	-	-	-	-	-
SWL inlet L _{WA5}	dB(A)	-	-	-	-	-
SWL outlet L _{WA6}	dB(A)	-	-	-	-	-
SWL housing break out L _{WA2}	dB(A)	-	-	-	-	-

Sound power (L _W) dB(A)		Medium Frequency Band								
		Σ	63	125	250	500	1k	2k	4k	8k
Inlet	L _{WA5}	93	66	78	87	88	88	85	79	70
Outlet	L _{WA6}	93	63	79	85	88	87	84	79	70
Housing radiation	L _{WA2}	75	62	68	68	70	68	63	58	49

AL 560 D4 F4 02 154713	
Voltage U _N	400 V 3~
Current I _{max}	4,3 A
Ambient temperature t _A	60 °C
Conveyed medium temperature t _M	60 °C
Speed Control	f
Motor protection	-
Insulation class motor	H
Weight	58,7 kg
Number of poles	4
IP motor	IP55
IP terminal box	-
IP complete unit	-
Min. operating temperature	-20 °C

Ø 12
(12x30°=360°)



ruck^{eu}
VENTILATOREN
ruck Ventilatoren
Max-Planck-Str. 5
D-97944 Boxberg



Protection Mark
according to ISO16016
Created co.huegel
Drawn co.huegel
Released d.hancu
Disabled

1:10 A4 mm

General tolerances
DIN ISO 2768-c

06.05.2020

06.05.2020

14.12.2021

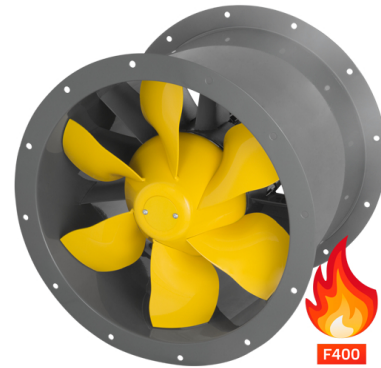
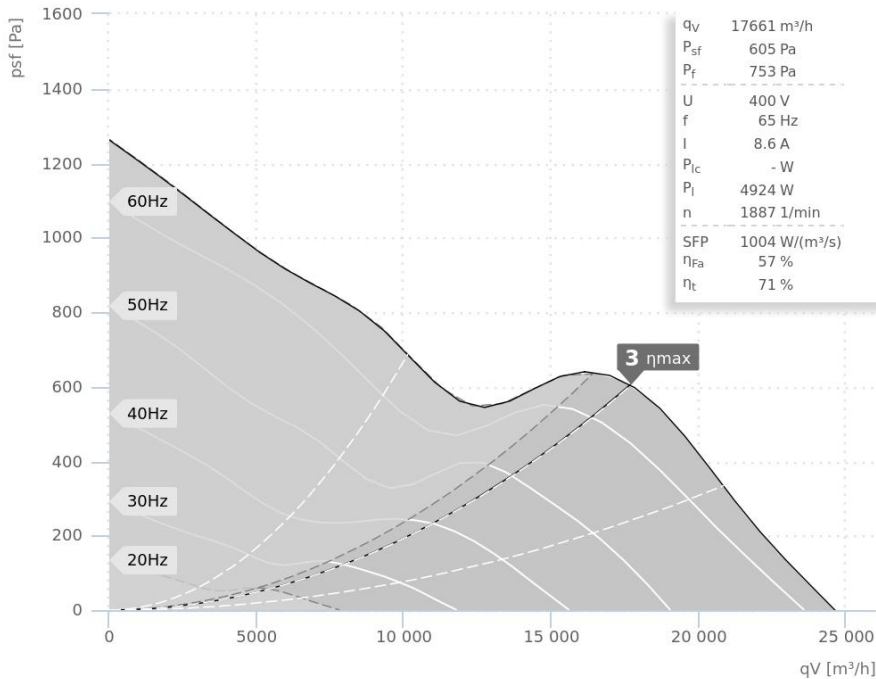
AL560D4F402

154713 00

VENTAS
VENTILATORER

DATA SHEET

AL 630 D4 F4 01 | 154715



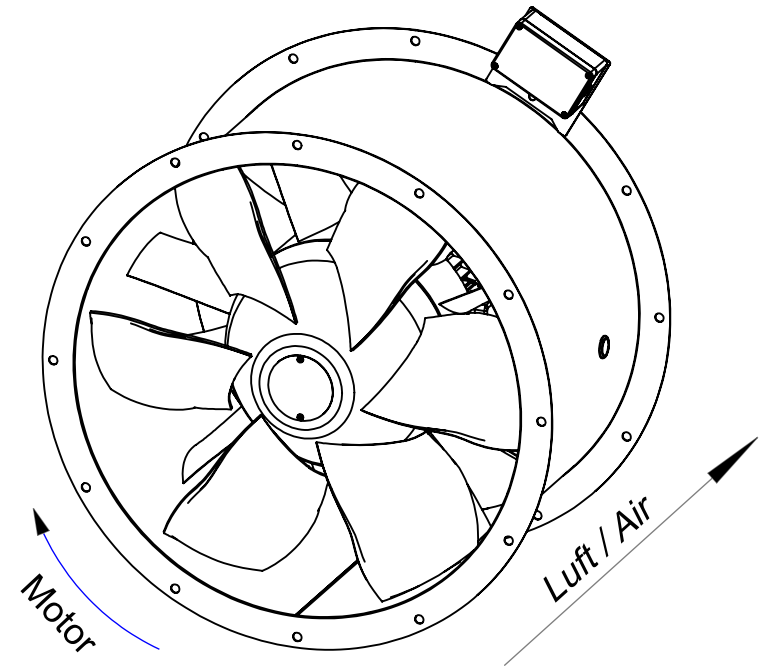
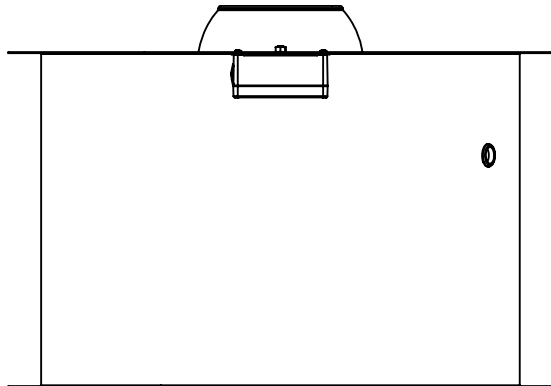
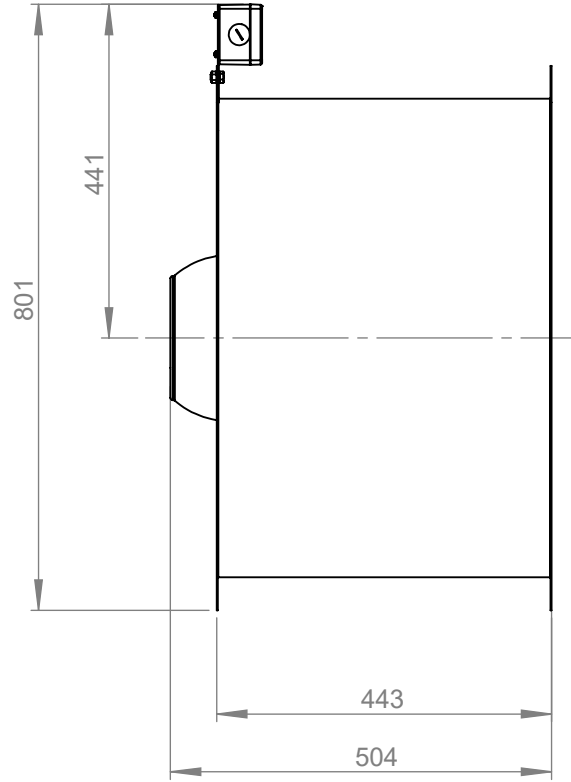
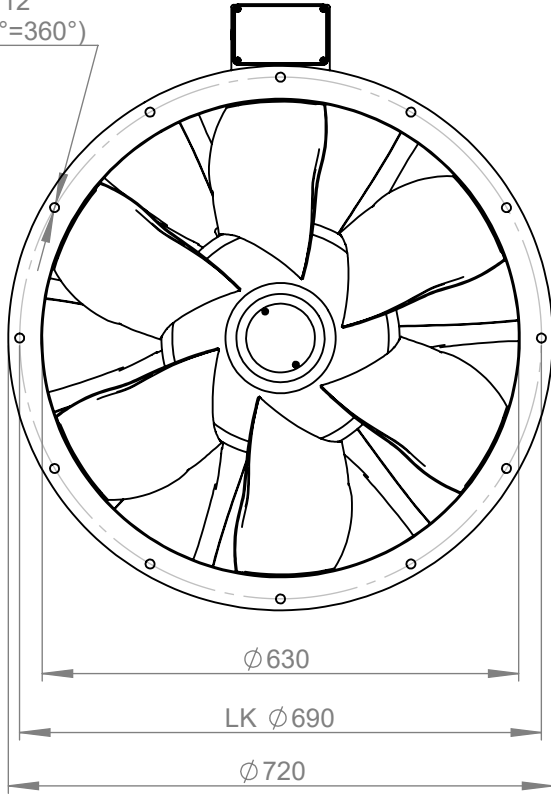
- Certified according to DIN EN 12101-3 (400 °C / 120 min.)
- Suitable for installation in the fire room
- Highest efficiency due to CFD-optimized 3D rotor and 3D stator blades
- Intelligently designed cone hubs
- Smoke extract motors of energy efficiency class IE3
- Exceeds the current ErP regulation by 15-20%
- Variable and stepless control by means of frequency converter
- Dual use for continuous operation up to 60 °C conveyor temperature
- Extensive, tested accessories available

Operating Point		1	2	3	4	5
Current I	A	9,7	6,7	8,8	8,0	6,8
Power consumption P _i	W	5568	3512	4966	4483	3734
Rotation speed n	1/min	1863	1904	1886	1901	1908
SWL inlet L _{WA5}	dB(A)	105	98	97	98	97
SWL outlet L _{WA6}	dB(A)	105	98	98	100	101
SWL housing break out L _{WA2}	dB(A)	86	81	79	85	83

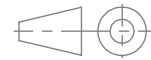
Sound power (L _W) dB(A)		Medium Frequency Band								
		Σ	63	125	250	500	1k	2k	4k	8k
Inlet	L _{WA5}	98	64	78	88	92	93	89	83	75
Outlet	L _{WA6}	99	70	87	92	94	93	89	83	75
Housing radiation	L _{WA2}	80	69	73	73	74	74	70	61	55

AL 630 D4 F4 01 154715	
Voltage U _N	400 V 3~
Current I _{max}	9,1 A
Ambient temperature t _A	60 °C
Conveyed medium temperature t _M	60 °C
Speed Control	f
Motor protection	-
Insulation class motor	H
Weight	71,0 kg
Number of poles	4
IP motor	IP55
IP terminal box	-
IP complete unit	-
Min. operating temperature	-20 °C

Ø 12
(12x30°=360°)



ruck^{eu}
VENTILATOREN
ruck Ventilatoren
Max-Planck-Str. 5
D-97944 Boxberg



Protection Mark
according to ISO 16016
Created co.huegel
Drawn co.huegel
Released d.hancu
Disabled

1:10 A4 mm

General tolerances
DIN ISO 2768-c

06.05.2020

06.05.2020

15.12.2021

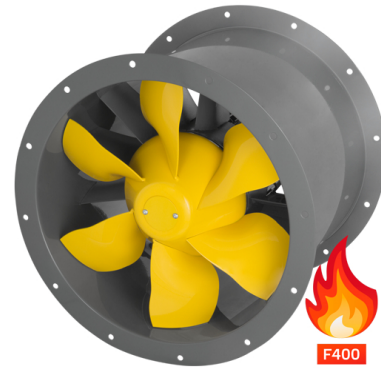
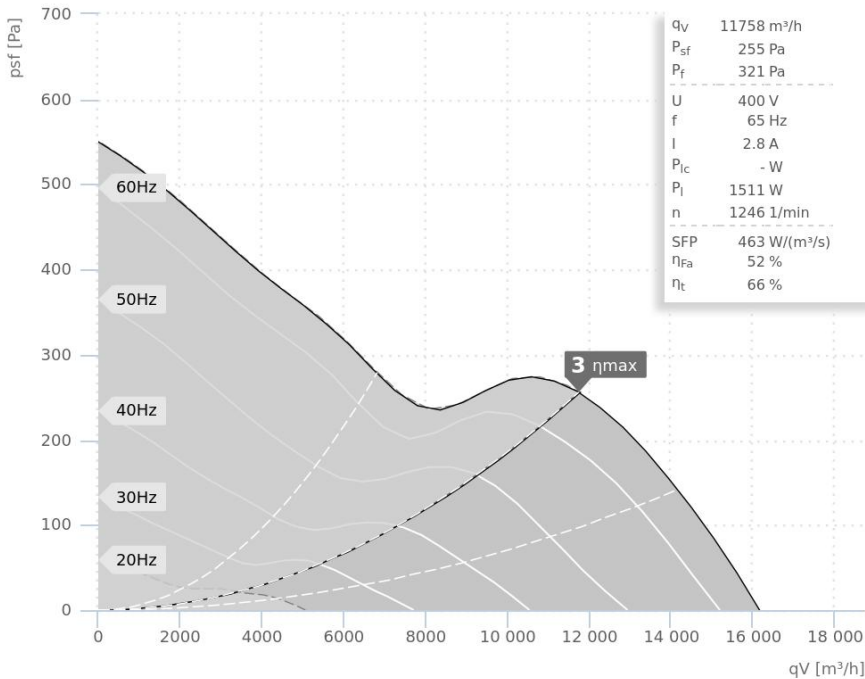
AL630D4F401

154715 00

VENTAS
VENTILATORER

DATA SHEET

AL 630 D6 F4 01 | 154714



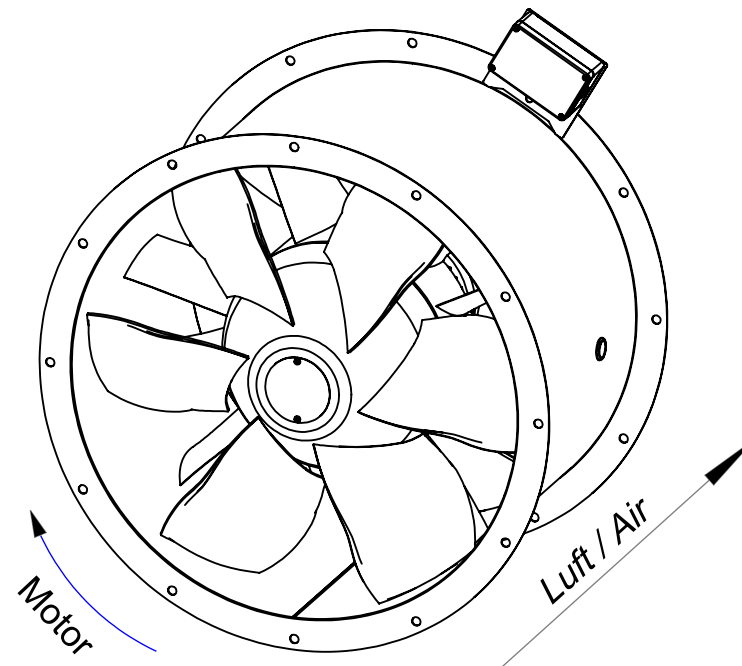
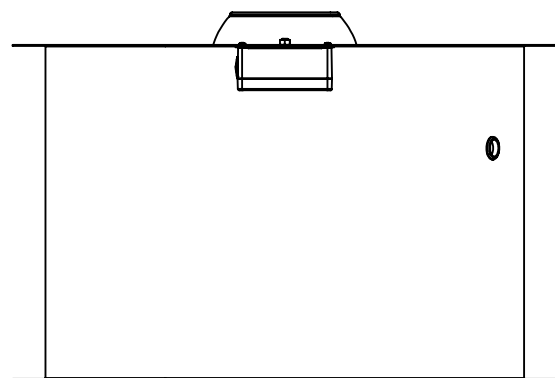
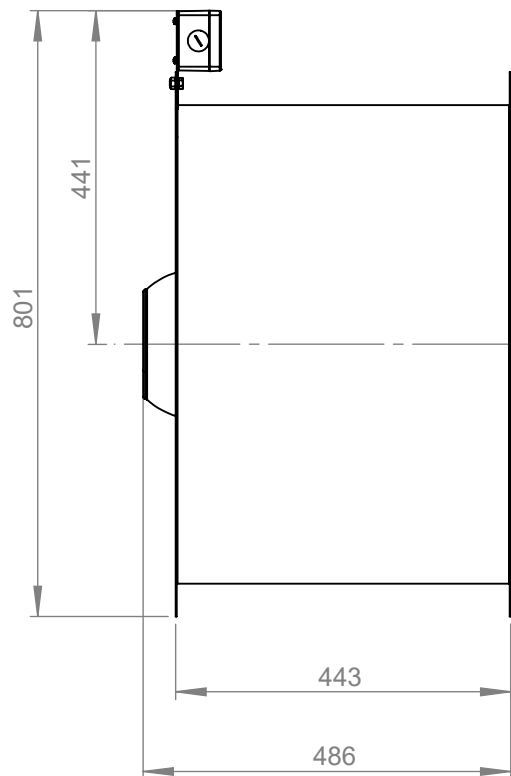
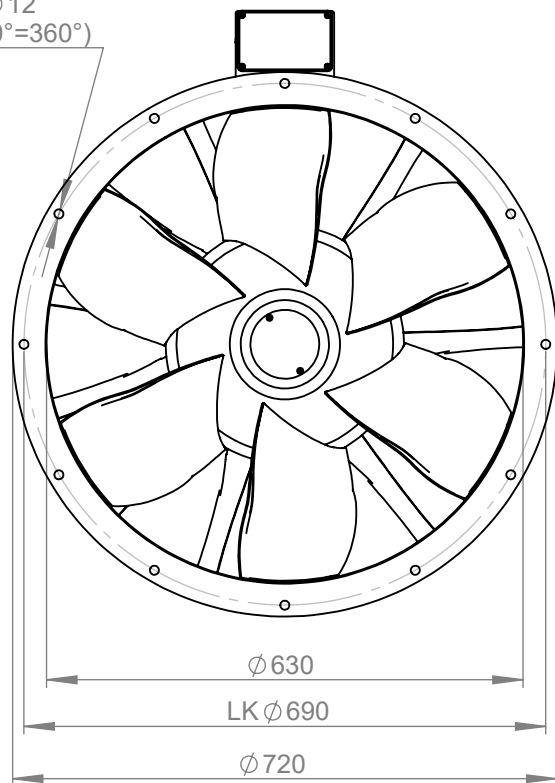
- Certified according to DIN EN 12101-3 (400 °C / 120 min.)
- Suitable for installation in the fire room
- Highest efficiency due to CFD-optimized 3D rotor and 3D stator blades
- Intelligently designed cone hubs
- Smoke extract motors of energy efficiency class IE3
- Exceeds the current ErP regulation by 15-20%
- Variable and stepless control by means of frequency converter
- Dual use for continuous operation up to 60 °C conveyor temperature
- Extensive, tested accessories available

Operating Point		1	2	3	4	5
Current I	A	3,9	2,5	2,8	2,6	2,3
Power consumption P _i	W	2216	1277	1550	1402	1178
Rotation speed n	1/min	1199	1257	1250	1258	1263
SWL inlet L _{WA5}	dB(A)	94	87	87	90	90
SWL outlet L _{WA6}	dB(A)	94	86	86	91	92
SWL housing break out L _{WA2}	dB(A)	77	72	70	73	73

Sound power (L _w) dB(A)		Medium Frequency Band								
		Σ	63	125	250	500	1k	2k	4k	8k
Inlet	L _{WA5}	87	68	74	81	82	82	78	72	64
Outlet	L _{WA6}	86	65	76	79	81	81	77	72	64
Housing radiation	L _{WA2}	70	64	64	61	64	63	62	50	43

AL 630 D6 F4 01 154714	
Voltage U _N	400 V 3~
Current I _{max}	3,0 A
Ambient temperature t _A	60 °C
Conveyed medium temperature t _M	60 °C
Speed Control	f
Motor protection	-
Insulation class motor	H
Weight	62,0 kg
Number of poles	6
IP motor	IP55
IP terminal box	-
IP complete unit	-
Min. operating temperature	-20 °C

Ø 12
(12x30°=360°)



ruck^{eu}
VENTILATOREN
ruck Ventilatoren
Max-Planck-Str. 5
D-97944 Boxberg



1:10 A4 mm

Protection Mark
according to ISO16016

General tolerances
DIN ISO 2768-c

AL630D6F401

Created co.huegel
Drawn co.huegel
Released d.hancu
Disabled

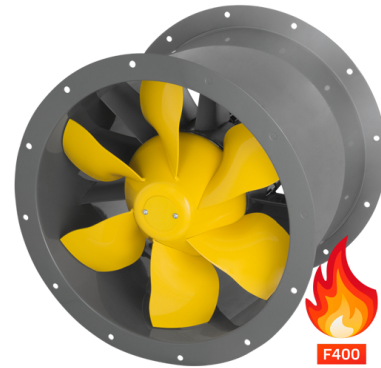
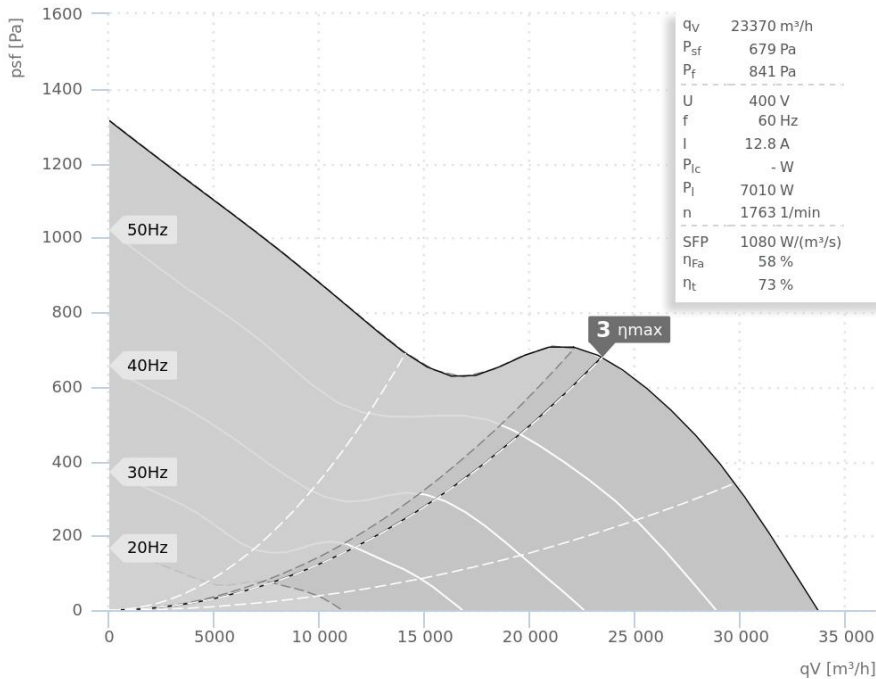
06.05.2020
06.05.2020
14.12.2021

154714 00

VENTAS
VENTILATOREN

DATA SHEET

AL 710 D4 F4 01 | 154717

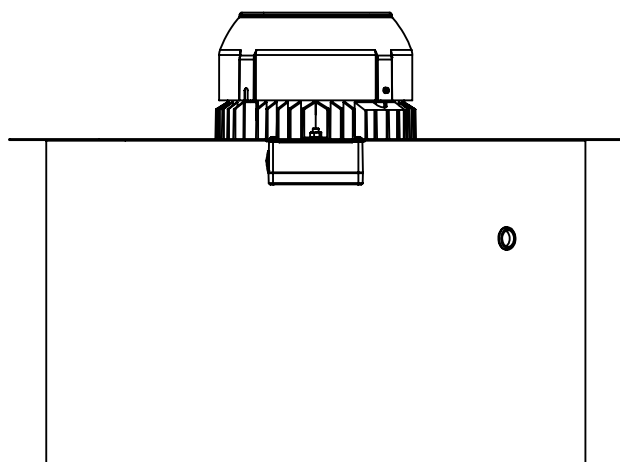
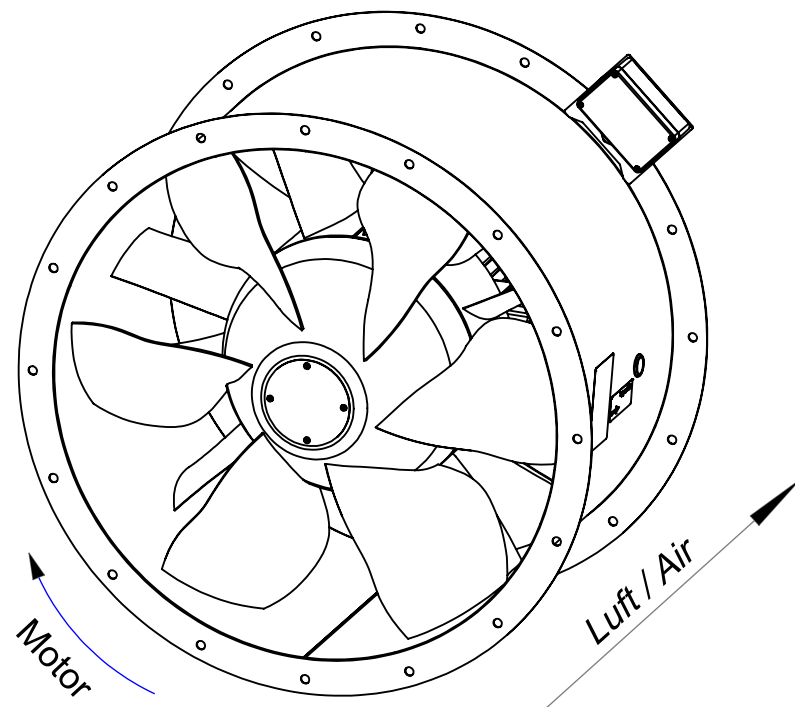
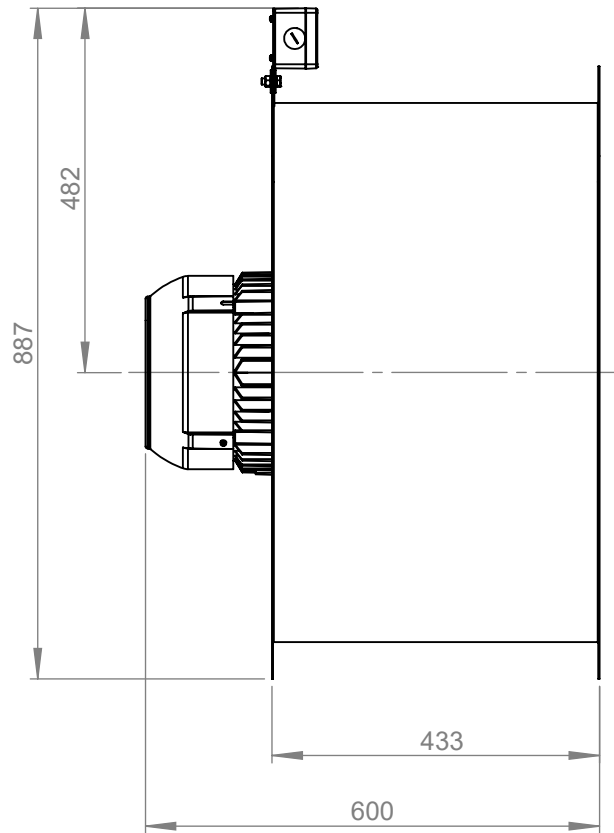
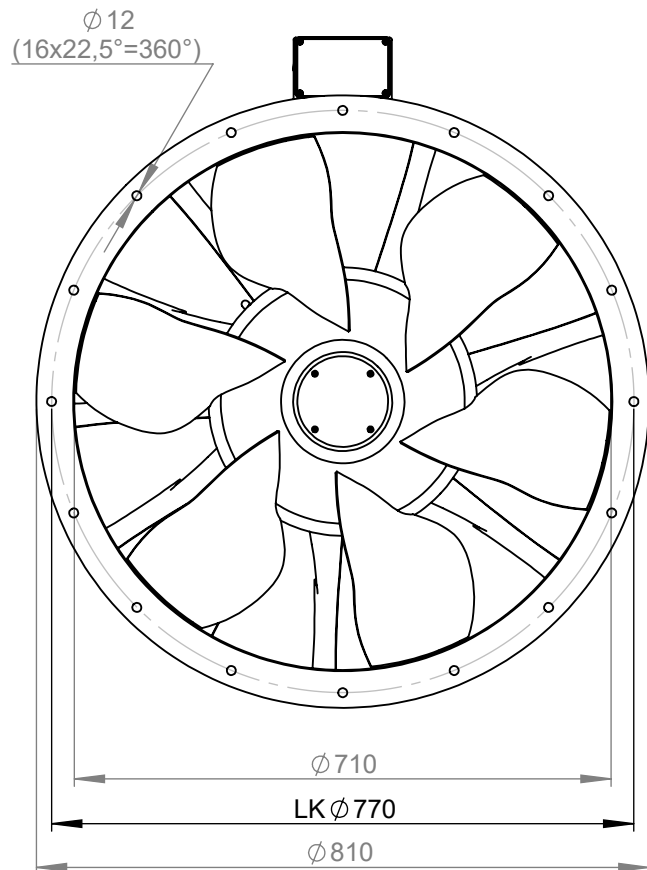


- Certified according to DIN EN 12101-3 (400 °C / 120 min.)
- Suitable for installation in the fire room
- Highest efficiency due to CFD-optimized 3D rotor and 3D stator blades
- Intelligently designed cone hubs
- Smoke extract motors of energy efficiency class IE3
- Exceeds the current ErP regulation by 15-20%
- Variable and stepless control by means of frequency converter
- Dual use for continuous operation up to 60 °C conveyor temperature
- Extensive, tested accessories available

Operating Point		1	2	3	4	5
Current I	A	13,3	10,5	13,4	11,4	10,0
Power consumption P _i	W	8392	5399	7450	6081	5157
Rotation speed n	1/min	1752	1766	1753	1777	1779
SWL inlet L _{WA5}	dB(A)	107	99	101	103	101
SWL outlet L _{WA6}	dB(A)	107	99	100	104	104
SWL housing break out L _{WA2}	dB(A)	88	82	84	86	84

Sound power (L _w) dB(A)		Medium Frequency Band								
		Σ	63	125	250	500	1k	2k	4k	8k
Inlet	L _{WA5}	100	73	85	93	95	95	91	85	78
Outlet	L _{WA6}	100	72	86	93	95	94	90	85	78
Housing radiation	L _{WA2}	83	71	77	75	77	76	71	67	56

AL 710 D4 F4 01 154717	
Voltage U _N	400 V 3~
Current I _{max}	14,0 A
Ambient temperature t _A	60 °C
Conveyed medium temperature t _M	60 °C
Speed Control	f
Motor protection	-
Insulation class motor	H
Weight	111,2 kg
Number of poles	4
IP motor	IP55
IP terminal box	-
IP complete unit	-
Min. operating temperature	-20 °C



ruck^{eu}
 VENTILATOREN
 ruck Ventilatoren
 Max-Planck-Str. 5
 D-97944 Boxberg



Protection Mark
 according to ISO16016
 Created co.huegel
 Drawn co.huegel
 Released d.hancu
 Disabled

1:10 A4 mm

General tolerances
 DIN ISO 2768-c

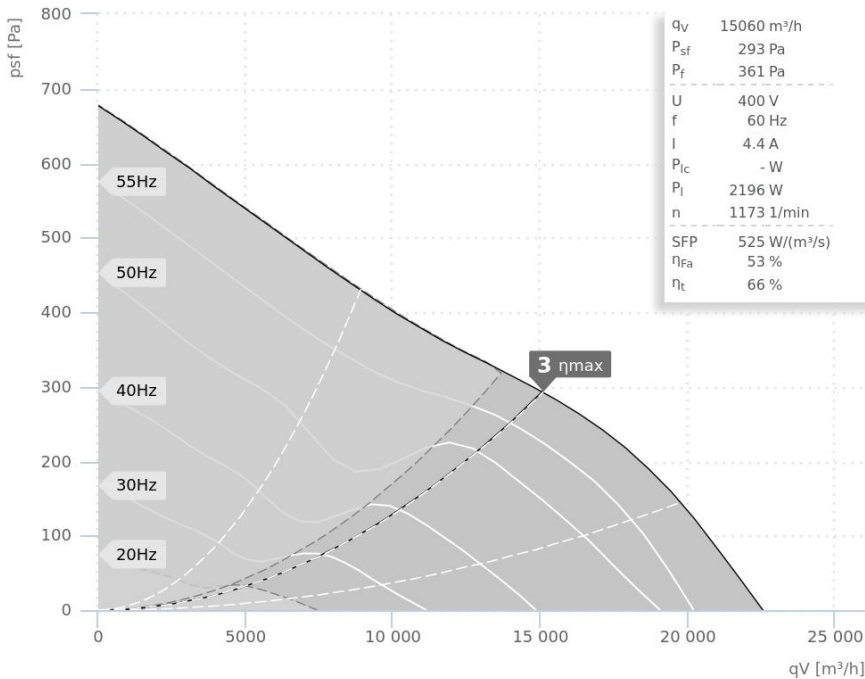
AL710D4F401

154717 01

VENTAS
 VENTILATORER

DATA SHEET

AL 710 D6 F4 01 | 154716



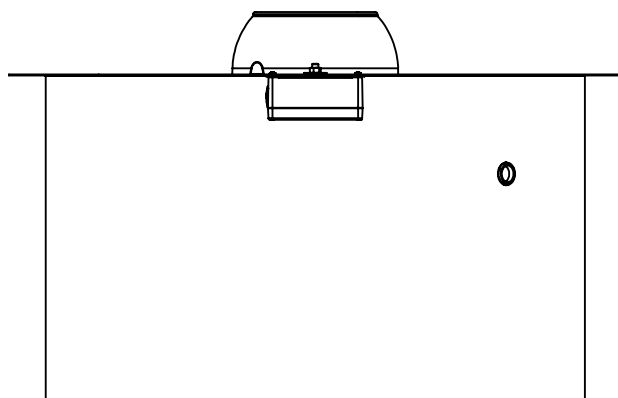
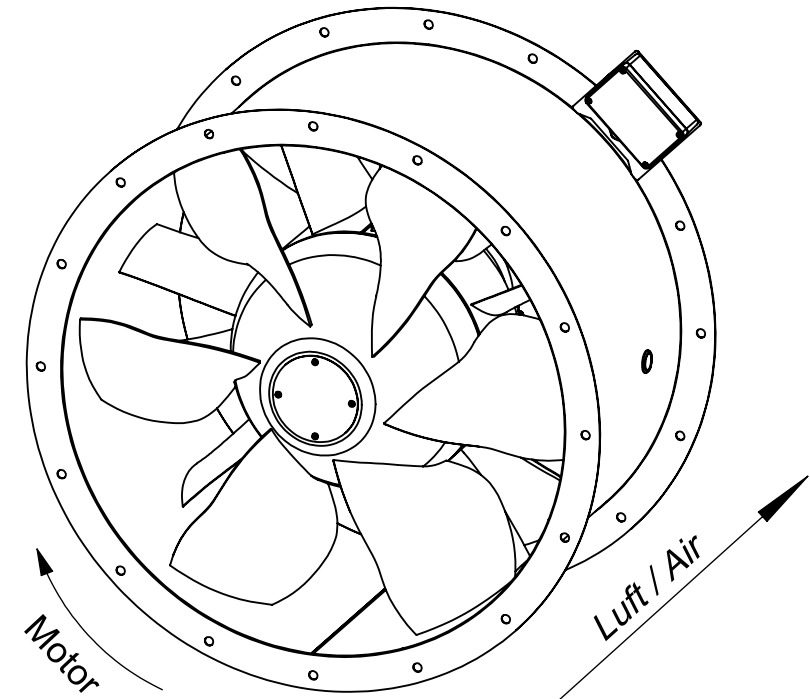
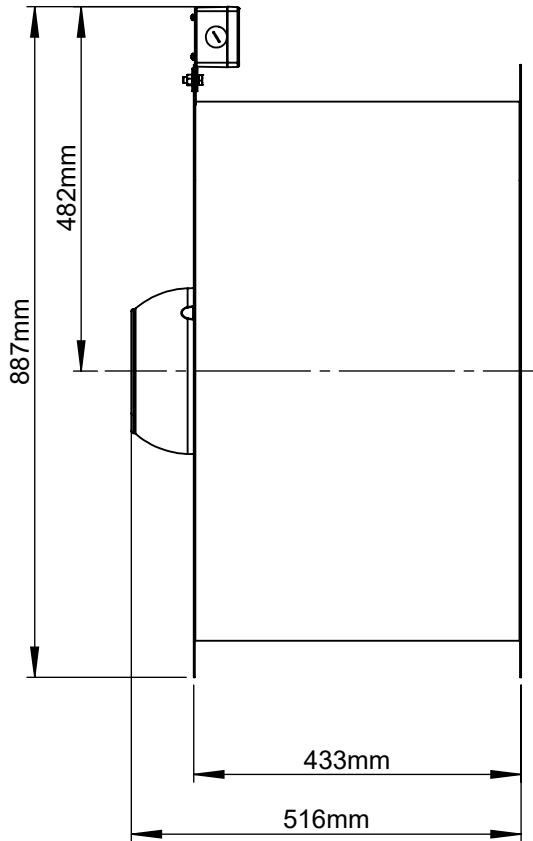
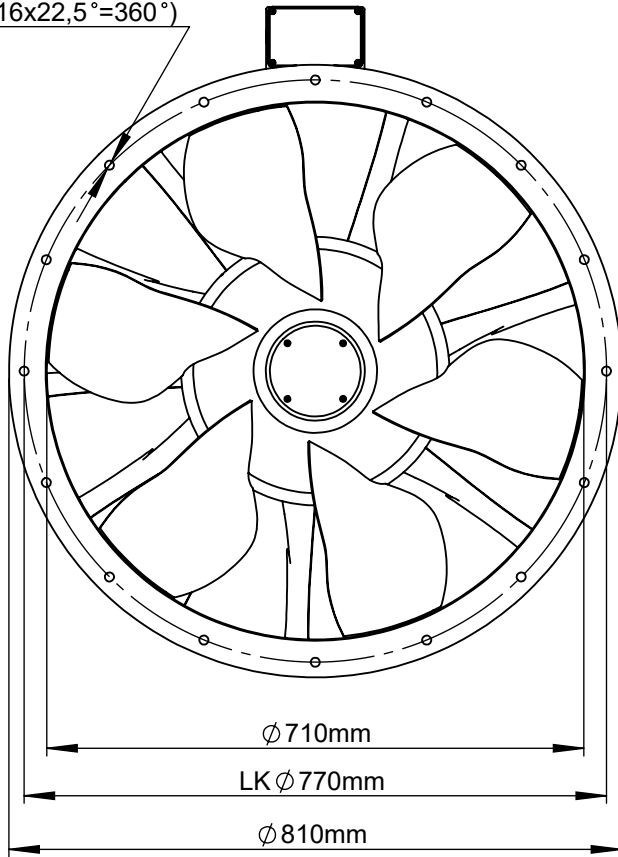
- Certified according to DIN EN 12101-3 (400 °C / 120 min.)
- Suitable for installation in the fire room
- Highest efficiency due to CFD-optimized 3D rotor and 3D stator blades
- Intelligently designed cone hubs
- Smoke extract motors of energy efficiency class IE3
- Exceeds the current ErP regulation by 15-20%
- Variable and stepless control by means of frequency converter
- Dual use for continuous operation up to 60 °C conveyor temperature
- Extensive, tested accessories available

Operating Point		1	2	3	4	5
Current I	A	4,0	4,4	4,5	4,2	3,8
Power consumption P _i	W	1864	2192	2201	1984	1681
Rotation speed n	1/min	1163	1172	1173	1179	1182
SWL inlet L _{WA5}	dB(A)	96	91	88	89	91
SWL outlet L _{WA6}	dB(A)	97	91	88	93	93
SWL housing break out L _{WA2}	dB(A)	77	74	73	76	78

Sound power (L _w) dB(A)		Medium Frequency Band								
		Σ	63	125	250	500	1k	2k	4k	8k
Inlet	L _{WA5}	88	66	74	81	84	83	79	75	70
Outlet	L _{WA6}	88	67	76	81	83	82	78	74	67
Housing radiation	L _{WA2}	73	67	64	64	67	66	60	54	48

AL 710 D6 F4 01 154716	
Voltage U _N	400 V 3~
Current I _{max}	4,7 A
Ambient temperature t _A	60 °C
Conveyed medium temperature t _M	60 °C
Speed Control	f
Motor protection	-
Insulation class motor	H
Weight	78,8 kg
Number of poles	6
IP motor	IP55
IP terminal box	-
IP complete unit	-
Min. operating temperature	-20 °C

Ø 12mm
(16x22,5°=360°)



ruck^{eu}
VENTILATOREN
ruck Ventilatoren
Max-Planck-Str. 5
D-97944 Boxberg

Protection Mark according to ISO16016
Created co.huegel 06.05.2020
Drawn co.huegel 06.05.2020
Released d.hancu 15.12.2021
Disabled

1:10 A4 mm

General tolerances
DIN ISO 2768-c

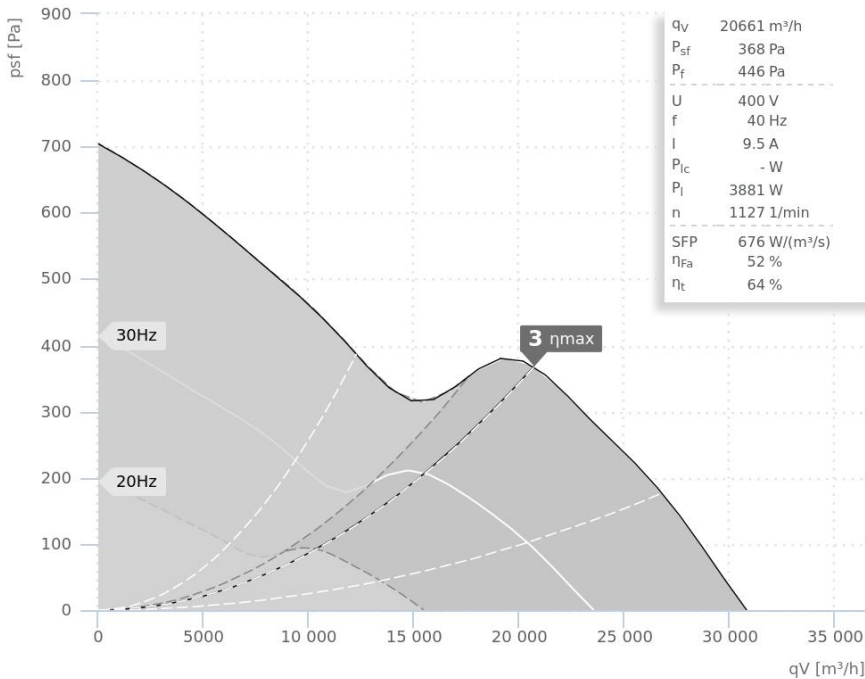
AL710D6F401

154716 01



DATA SHEET

AL 800 D4 F4 01 | 162507

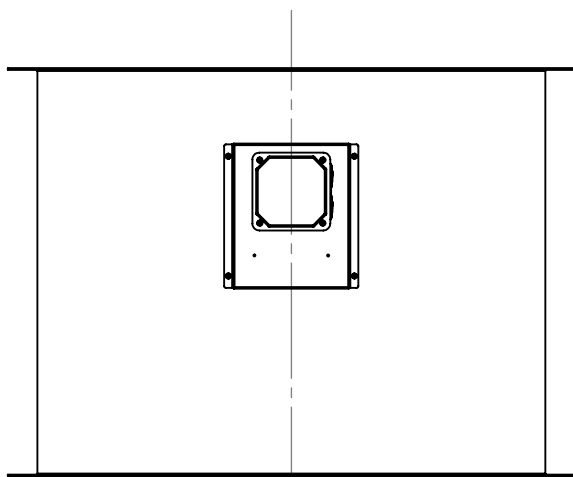
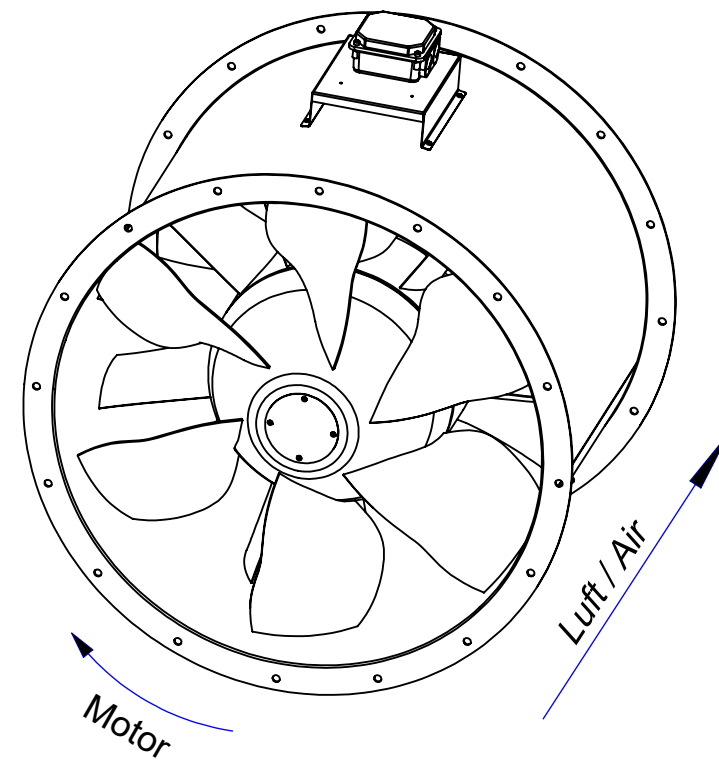
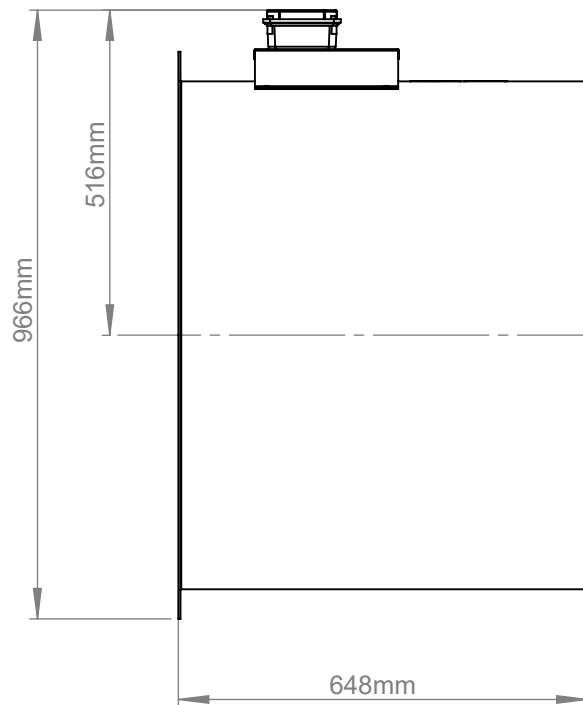
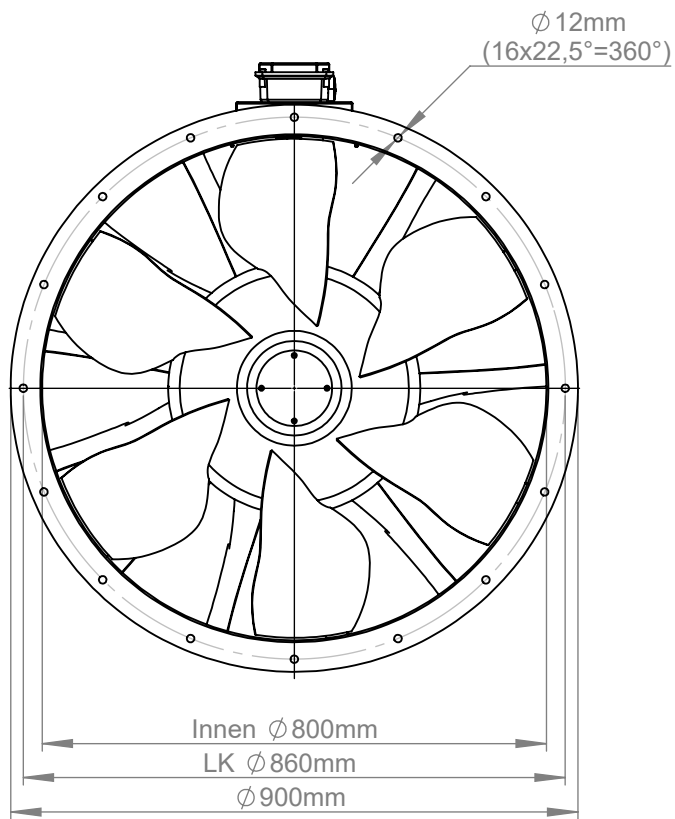


- Certified according to DIN EN 12101-3 (400 °C / 120 min.)
- Suitable for installation in the fire room
- Highest efficiency due to CFD-optimized 3D rotor and 3D stator blades
- Intelligently designed cone hubs
- Smoke extract motors of energy efficiency class IE3
- Exceeds the current ErP regulation by 15-20%
- Variable and stepless control by means of frequency converter
- Dual use for continuous operation up to 60 °C conveyor temperature
- Extensive, tested accessories available

Operating Point		1	2	3	4	5
Current I	A	11,9	9,1	9,2	8,5	7,6
Power consumption P _i	W	5027	3698	3790	3384	2919
Rotation speed n	1/min	1073	1134	1127	1140	1149
SWL inlet L _{WA5}	dB(A)	103	97	97	99	99
SWL outlet L _{WA6}	dB(A)	103	96	97	100	102
SWL housing break out L _{WA2}	dB(A)	84	80	81	83	84

Sound power (L _W) dB(A)		Medium Frequency Band								
		Σ	63	125	250	500	1k	2k	4k	8k
Inlet	L _{WA5}	98	76	83	91	93	92	88	83	77
Outlet	L _{WA6}	97	77	84	90	92	91	87	83	77
Housing radiation	L _{WA2}	81	76	73	73	74	73	69	64	55

AL 800 D4 F4 01 162507	
Voltage U _N	400 V 3~
Current I _{max}	9,8 A
Ambient temperature t _A	60 °C
Conveyed medium temperature t _M	60 °C
Speed Control	f
Motor protection	-
Insulation class motor	H
Weight	120,1 kg
Number of poles	4
IP motor	IP55
IP terminal box	-
IP complete unit	-
Min. operating temperature	-20 °C



ruck^{eu}
 VENTILATOREN
 ruck Ventilatoren
 Max-Planck-Str. 5
 D-97944 Boxberg



1:12 A4 mm

Protection Mark
 according to ISO16016

General tolerances
 DIN ISO 2768-c

AL800D4F401

Created d.hancu
 Drawn d.hancu
 Released d.hancu
 Disabled

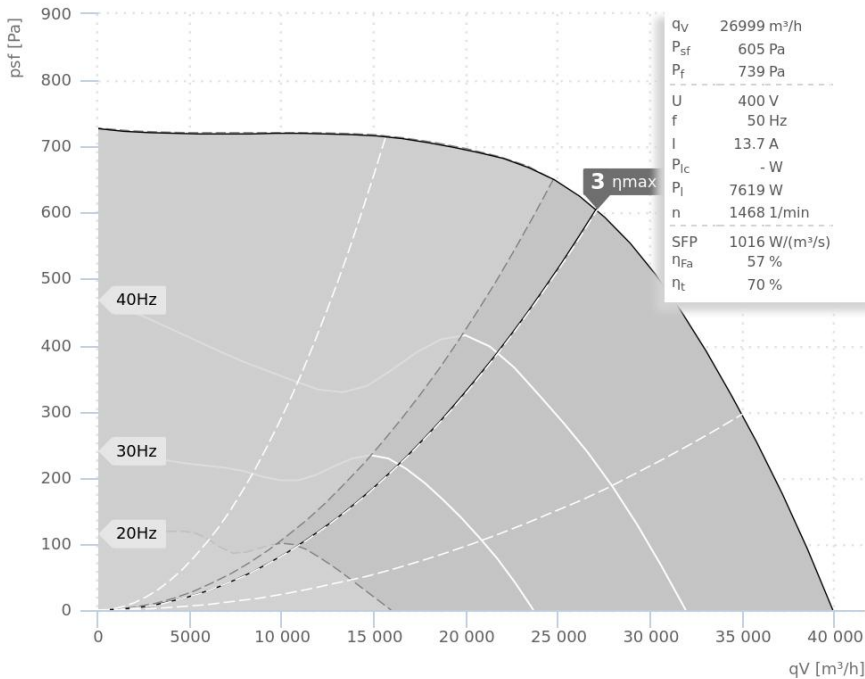
30.03.2022
 30.03.2022
 30.03.2022

162507 00

VENTAS
 VENTILATOREN

DATA SHEET

AL 800 D4 F4 02 | 162562

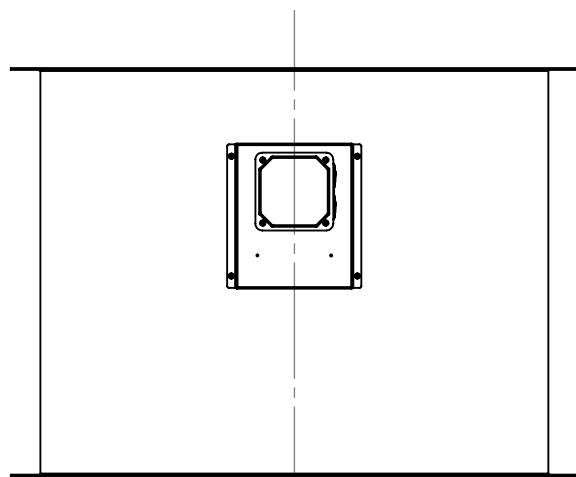
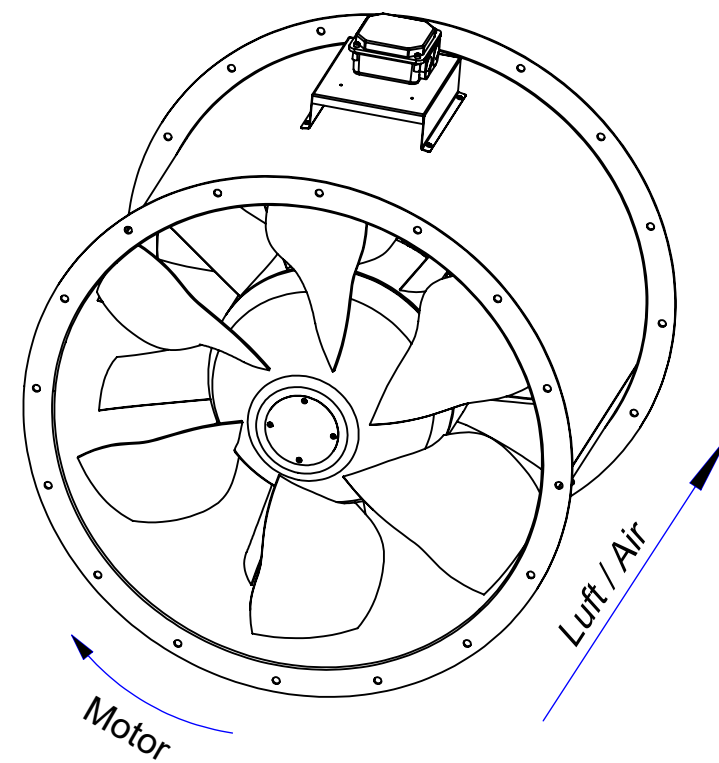
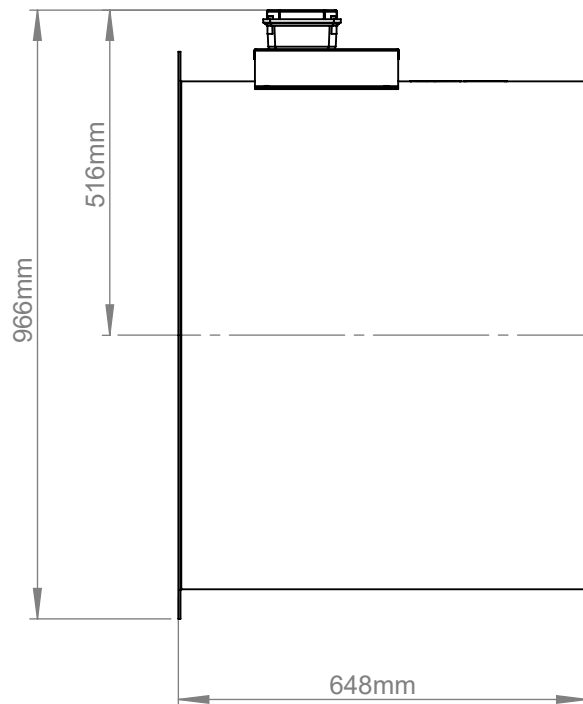
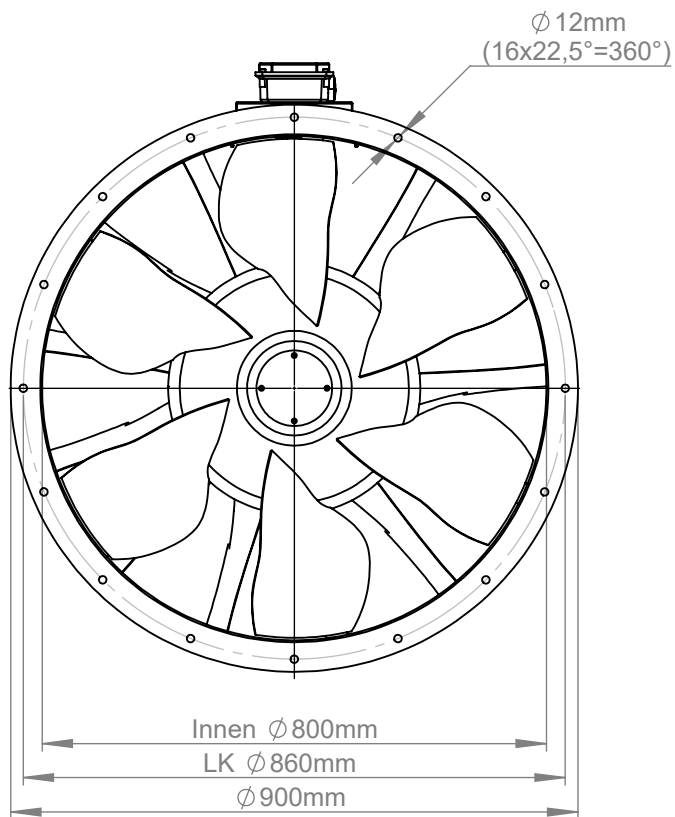


- Certified according to DIN EN 12101-3 (400 °C / 120 min.)
- Suitable for installation in the fire room
- Highest efficiency due to CFD-optimized 3D rotor and 3D stator blades
- Intelligently designed cone hubs
- Smoke extract motors of energy efficiency class IE3
- Exceeds the current ErP regulation by 15-20%
- Variable and stepless control by means of frequency converter
- Dual use for continuous operation up to 60 °C conveyor temperature
- Extensive, tested accessories available

Operating Point		1	2	3	4	5
Current I	A	12,4	13,6	13,7	12,8	11,3
Power consumption P _i	W	6582	7375	7642	6884	5864
Rotation speed n	1/min	1468	1479	1469	1477	1482
SWL inlet L _{WA5}	dB(A)	108	106	106	108	110
SWL outlet L _{WA6}	dB(A)	108	106	105	109	113
SWL housing break out L _{WA2}	dB(A)	89	87	88	90	93

Sound power (L _w) dB(A)		Medium Frequency Band								
		Σ	63	125	250	500	1k	2k	4k	8k
Inlet	L _{WA5}	106	80	90	102	99	98	95	89	83
Outlet	L _{WA6}	105	80	90	101	99	98	94	88	82
Housing radiation	L _{WA2}	88	78	82	82	81	80	75	70	60

AL 800 D4 F4 02 162562	
Voltage U _N	400 V 3~
Current I _{max}	14,5 A
Ambient temperature t _A	60 °C
Conveyed medium temperature t _M	60 °C
Speed Control	f
Motor protection	-
Insulation class motor	H
Weight	156,1 kg
Number of poles	-
IP motor	IP55
IP terminal box	-
IP complete unit	-
Min. operating temperature	-20 °C



ruck^{eu}
 VENTILATOREN
 ruck Ventilatoren
 Max-Planck-Str. 5
 D-97944 Boxberg



Protection Mark
 according to ISO16016

Created d.hancu
 Drawn d.hancu
 Released d.hancu
 Disabled

1:12 A4 mm

General tolerances
 DIN ISO 2768-c

AL800D4F402

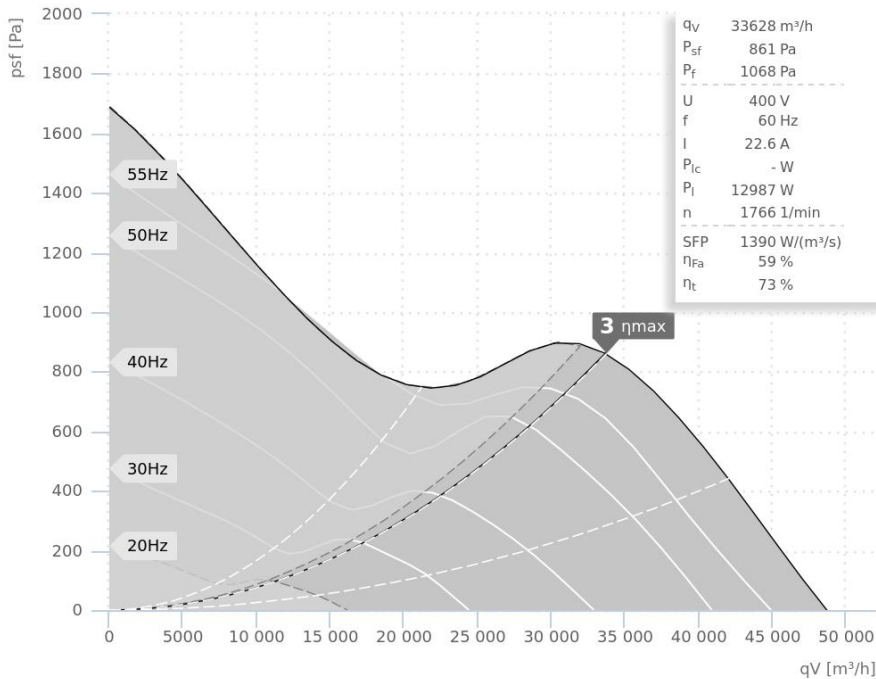
162562 00

VENTAS
 VENTILATORER

DATA SHEET

ruck.eu
VENTILATOREN

AL 800 D4 F4 03 | 160844

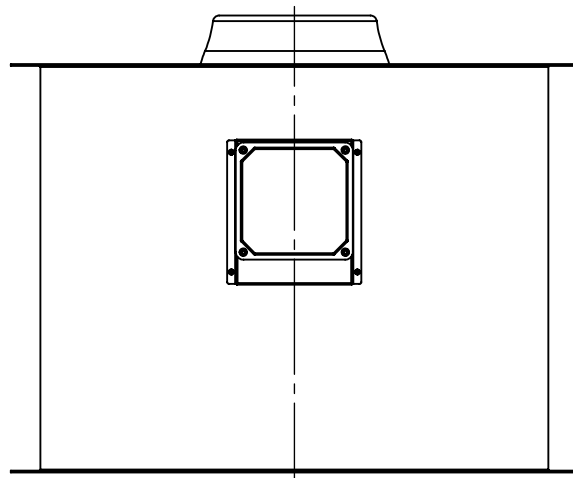
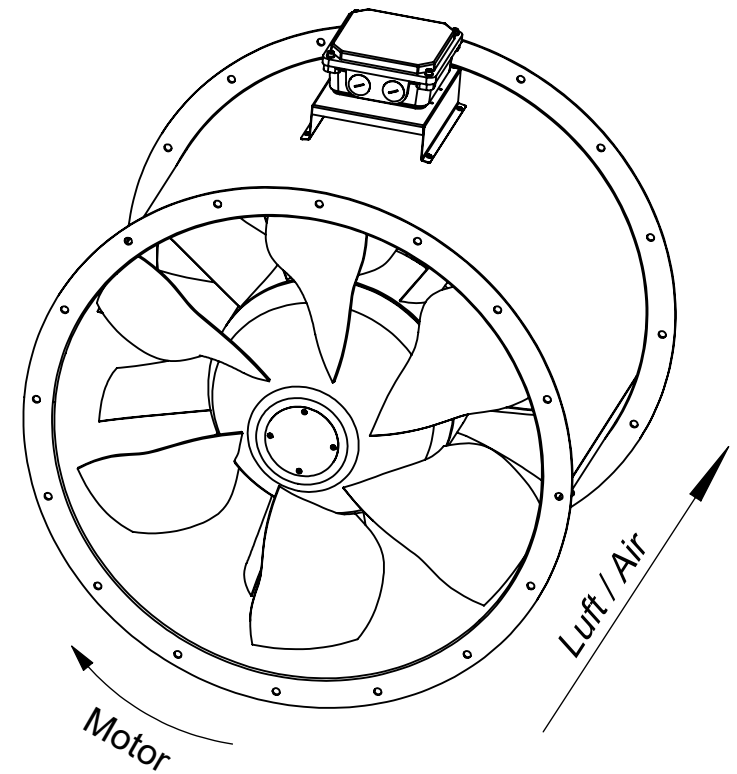
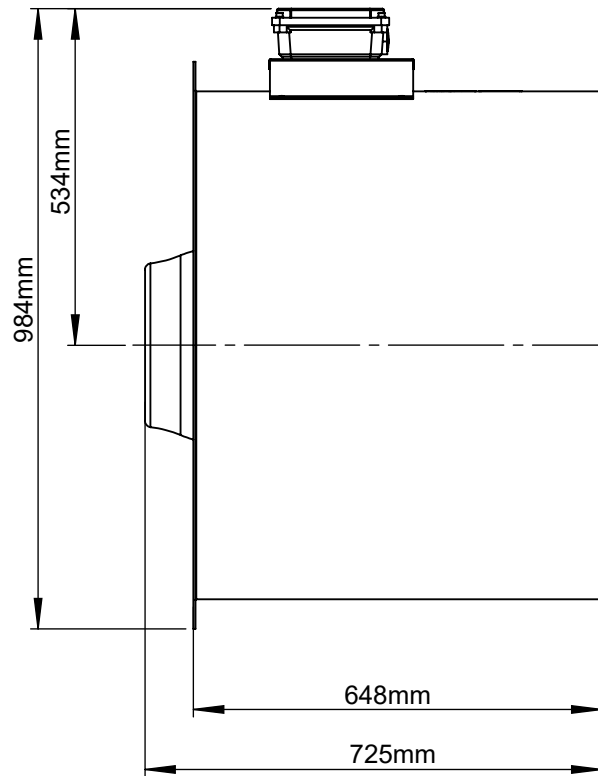
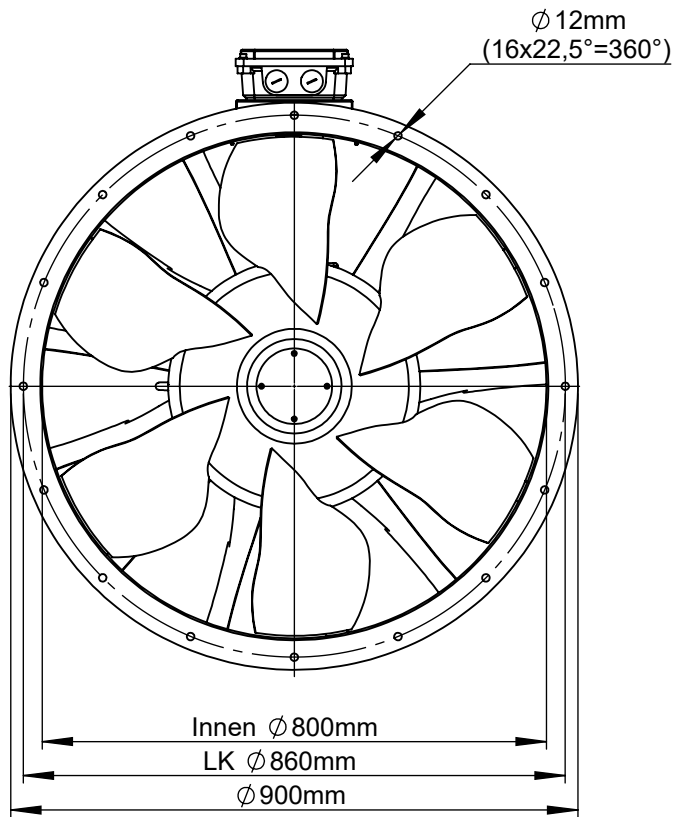


- Certified according to DIN EN 12101-3 (400 °C / 120 min.)
- Suitable for installation in the fire room
- Highest efficiency due to CFD-optimized 3D rotor and 3D stator blades
- Intelligently designed cone hubs
- Smoke extract motors of energy efficiency class IE3
- Exceeds the current ErP regulation by 15-20%
- Variable and stepless control by means of frequency converter
- Dual use for continuous operation up to 60 °C conveyor temperature
- Extensive, tested accessories available

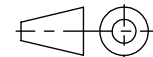
Operating Point		1	2	3	4	5
Current I	A	20,3	17,4	23,0	20,8	18,1
Power consumption P _i	W	11172	9552	13255	11785	9909
Rotation speed n	1/min	1710	1773	1762	1777	1776
SWL inlet L _{WA5}	dB(A)	115	108	107	111	111
SWL outlet L _{WA6}	dB(A)	115	108	107	111	112
SWL housing break out L _{WA2}	dB(A)	95	90	89	94	94

Sound power (L _W) dB(A)		Medium Frequency Band								
		Σ	63	125	250	500	1k	2k	4k	8k
Inlet	L _{WA5}	107	80	92	100	102	101	98	92	87
Outlet	L _{WA6}	107	80	92	100	102	101	97	92	86
Housing radiation	L _{WA2}	89	77	82	82	83	82	78	76	64

AL 800 D4 F4 03 160844	
Voltage U _N	400 V 3~
Current I _{max}	23,9 A
Ambient temperature t _A	60 °C
Conveyed medium temperature t _M	60 °C
Speed Control	f
Motor protection	-
Insulation class motor	H
Weight	189,1 kg
Number of poles	4
IP motor	IP55
IP terminal box	-
IP complete unit	-
Min. operating temperature	-20 °C



ruck^{eu}
 VENTILATOREN
 ruck Ventilatoren
 Max-Planck-Str. 5
 D-97944 Boxberg



1:12 A4 mm

Protection Mark
 according to ISO16016

General tolerances
 DIN ISO 2768-c

AL800D4F403

Created co.huegel
 Drawn co.huegel
 Released co.huegel
 Disabled

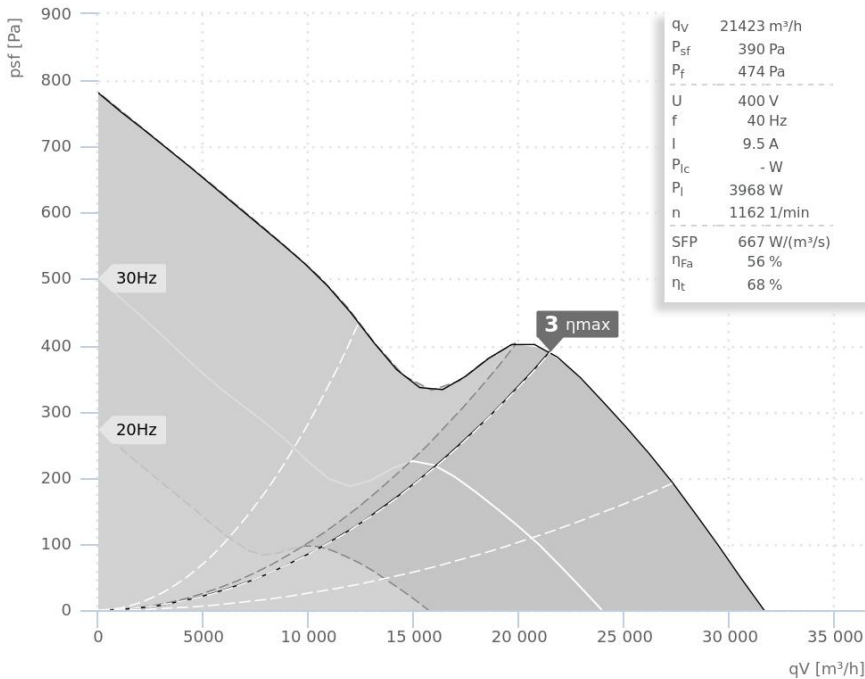
11.01.2022
 11.01.2022
 22.03.2022

160844 00

VENTAS
 VENTILATORER

DATA SHEET

AL 800 D4 F4 04 | 162523

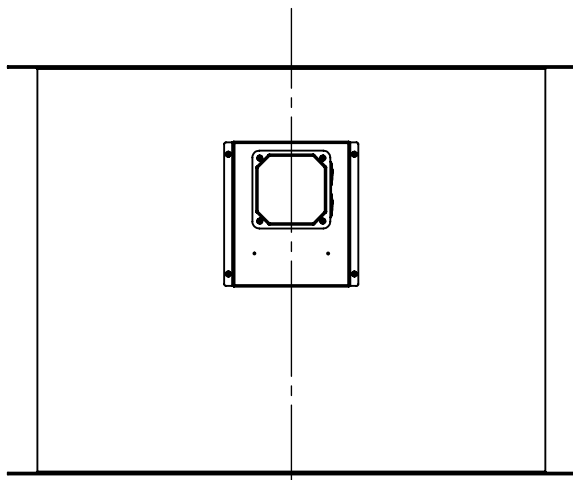
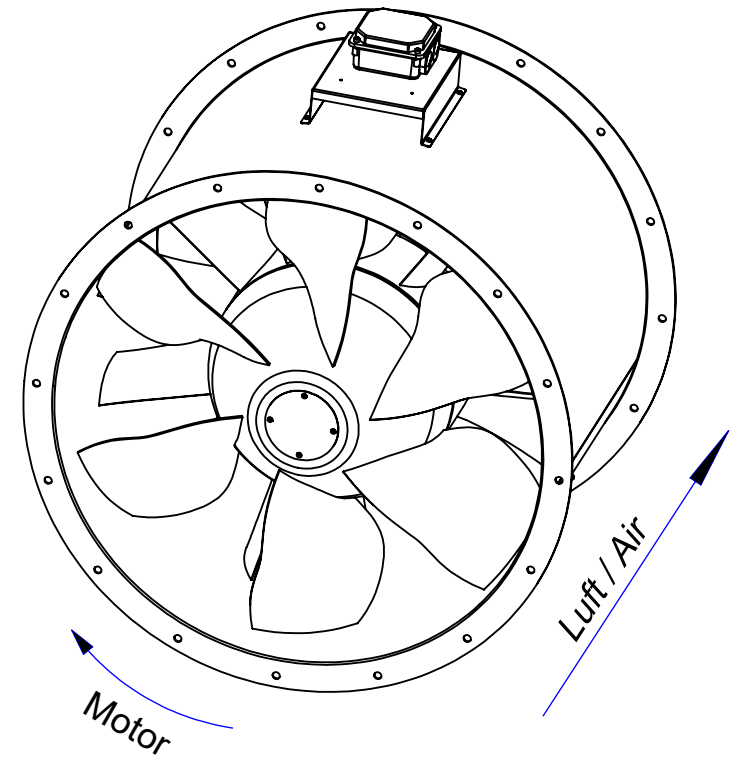
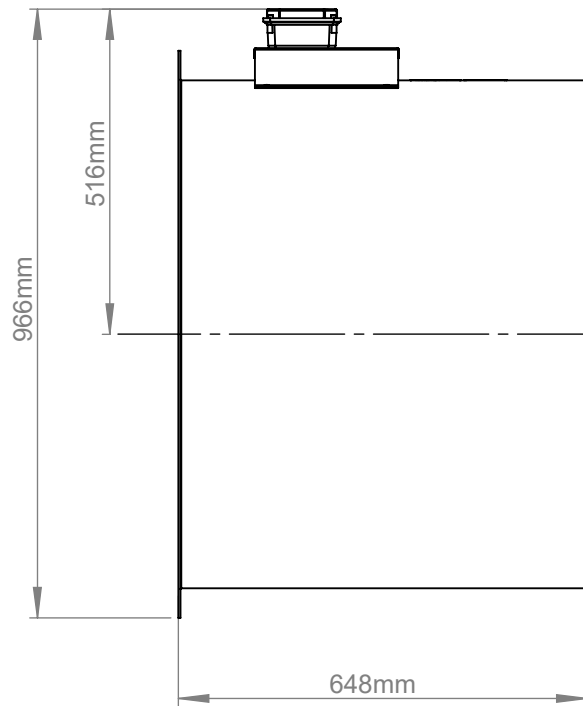
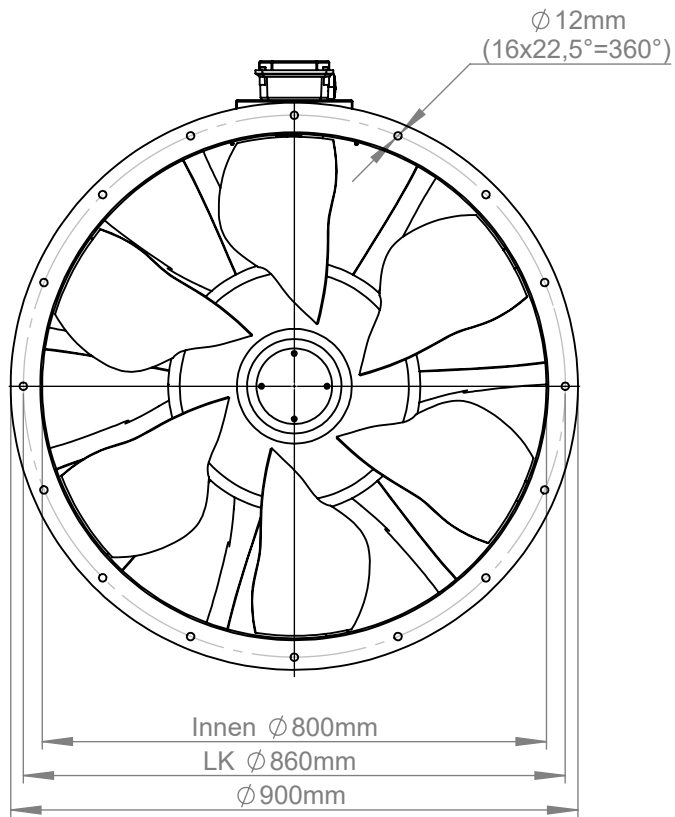


- Certified according to DIN EN 12101-3 (400 °C / 120 min.)
- Suitable for installation in the fire room
- Highest efficiency due to CFD-optimized 3D rotor and 3D stator blades
- Intelligently designed cone hubs
- Smoke extract motors of energy efficiency class IE3
- Exceeds the current ErP regulation by 15-20%
- Variable and stepless control by means of frequency converter
- Dual use for continuous operation up to 60 °C conveyor temperature
- Extensive, tested accessories available

Operating Point		1	2	3	4	5
Current I	A	10,7	9,8	9,4	8,5	7,5
Power consumption P _i	W	4468	4082	3913	3504	2981
Rotation speed n	1/min	1129	1169	1165	1169	1176
SWL inlet L _{WA5}	dB(A)	104	97	97	100	99
SWL outlet L _{WA6}	dB(A)	104	97	97	100	102
SWL housing break out L _{WA2}	dB(A)	85	81	81	83	84

Sound power (L _W) dB(A)		Medium Frequency Band								
		Σ	63	125	250	500	1k	2k	4k	8k
Inlet	L _{WA5}	97	76	83	91	92	91	88	83	77
Outlet	L _{WA6}	97	77	84	90	92	91	87	83	77
Housing radiation	L _{WA2}	81	76	73	72	74	73	68	64	55

AL 800 D4 F4 04 162523	
Voltage U _N	400 V 3~
Current I _{max}	9,9 A
Ambient temperature t _A	60 °C
Conveyed medium temperature t _M	60 °C
Speed Control	f
Motor protection	-
Insulation class motor	H
Weight	145,1 kg
Number of poles	4
IP motor	IP55
IP terminal box	-
IP complete unit	-
Min. operating temperature	-20 °C



ruck^{eu}
 VENTILATOREN
 ruck Ventilatoren
 Max-Planck-Str. 5
 D-97944 Boxberg



Protection Mark
 according to ISO16016
 Created d.hancu
 Drawn d.hancu
 Released d.hancu
 Disabled

1:12 A4 mm

General tolerances
 DIN ISO 2768-c

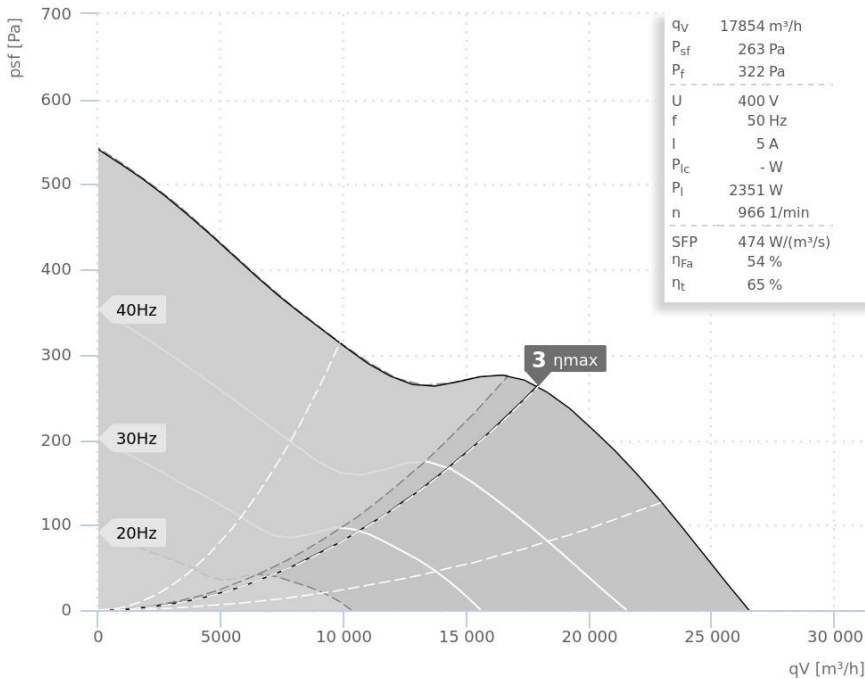
AL800D4F404

162523 00

VENTAS
 VENTILATOREN

DATA SHEET

AL 800 D6 F4 01 | 162465

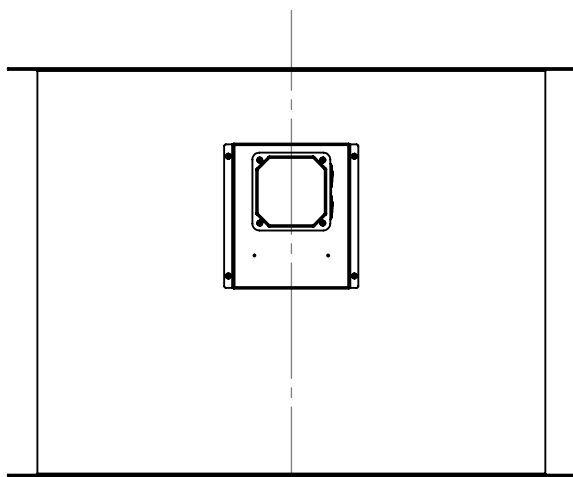
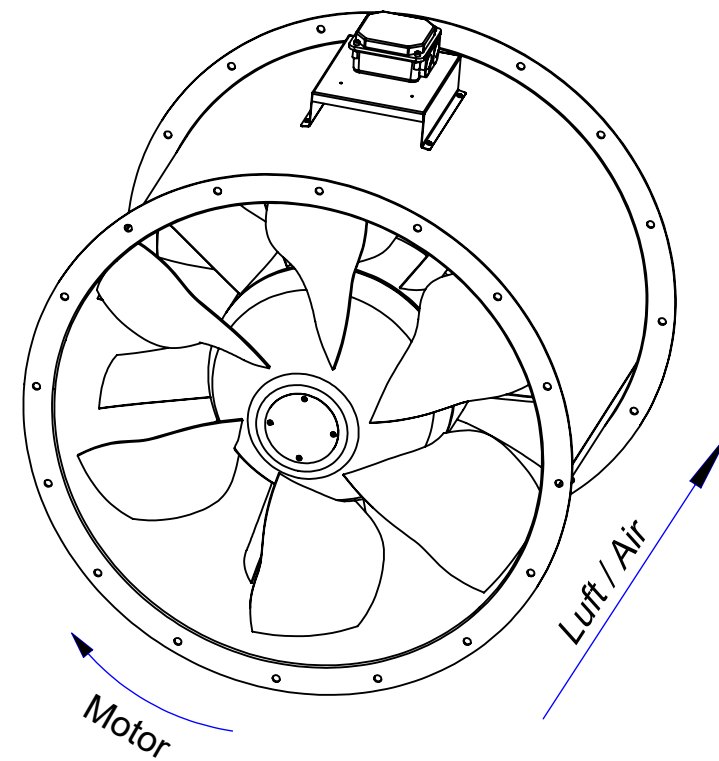
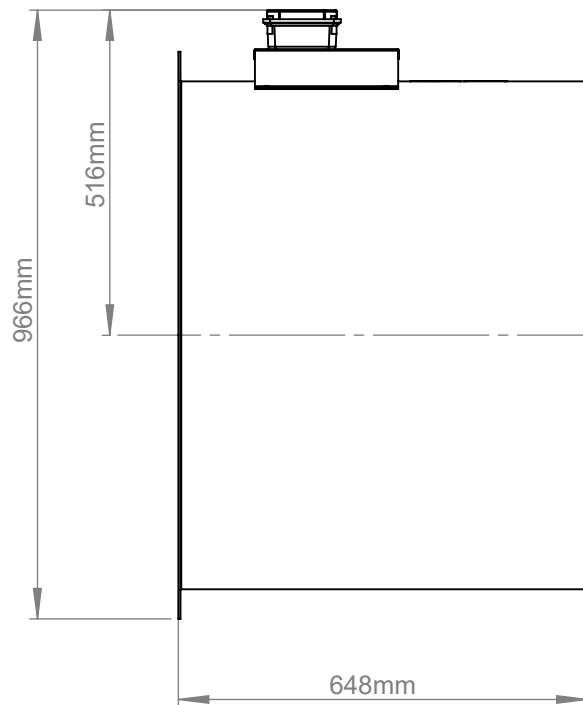
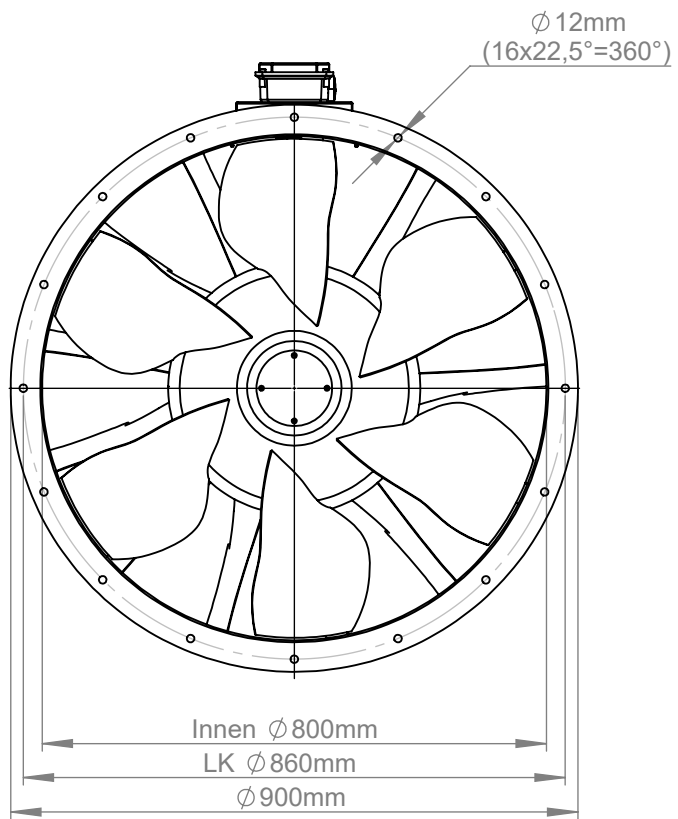


- Certified according to DIN EN 12101-3 (400 °C / 120 min.)
- Suitable for installation in the fire room
- Highest efficiency due to CFD-optimized 3D rotor and 3D stator blades
- Intelligently designed cone hubs
- Smoke extract motors of energy efficiency class IE3
- Exceeds the current ErP regulation by 15-20%
- Variable and stepless control by means of frequency converter
- Dual use for continuous operation up to 60 °C conveyor temperature
- Extensive, tested accessories available

Operating Point		1	2	3	4	5
Current I	A	6,1	4,8	5,0	4,7	4,4
Power consumption P _i	W	3110	2228	2276	2069	1791
Rotation speed n	1/min	929	970	970	974	978
SWL inlet L _{WA5}	dB(A)	99	93	93	94	95
SWL outlet L _{WA6}	dB(A)	99	92	92	98	97
SWL housing break out L _{WA2}	dB(A)	83	80	80	82	84

Sound power (L _W) dB(A)		Medium Frequency Band								
		Σ	63	125	250	500	1k	2k	4k	8k
Inlet	L _{WA5}	93	70	77	90	87	86	82	79	72
Outlet	L _{WA6}	93	68	79	86	88	86	82	78	71
Housing radiation	L _{WA2}	80	71	67	78	72	70	65	57	51

AL 800 D6 F4 01 162465	
Voltage U _N	400 V 3~
Current I _{max}	5,2 A
Ambient temperature t _A	60 °C
Conveyed medium temperature t _M	60 °C
Speed Control	f
Motor protection	-
Insulation class motor	H
Weight	117,1 kg
Number of poles	6
IP motor	IP55
IP terminal box	-
IP complete unit	-
Min. operating temperature	-20 °C




ruck^{eu}
 VENTILATOREN
 ruck Ventilatoren
 Max-Planck-Str. 5
 D-97944 Boxberg



1:12 A4 mm

Protection Mark
 according to ISO16016

General tolerances
 DIN ISO 2768-c

AL800D6F401

Created d.hancu
 Drawn d.hancu
 Released d.hancu
 Disabled

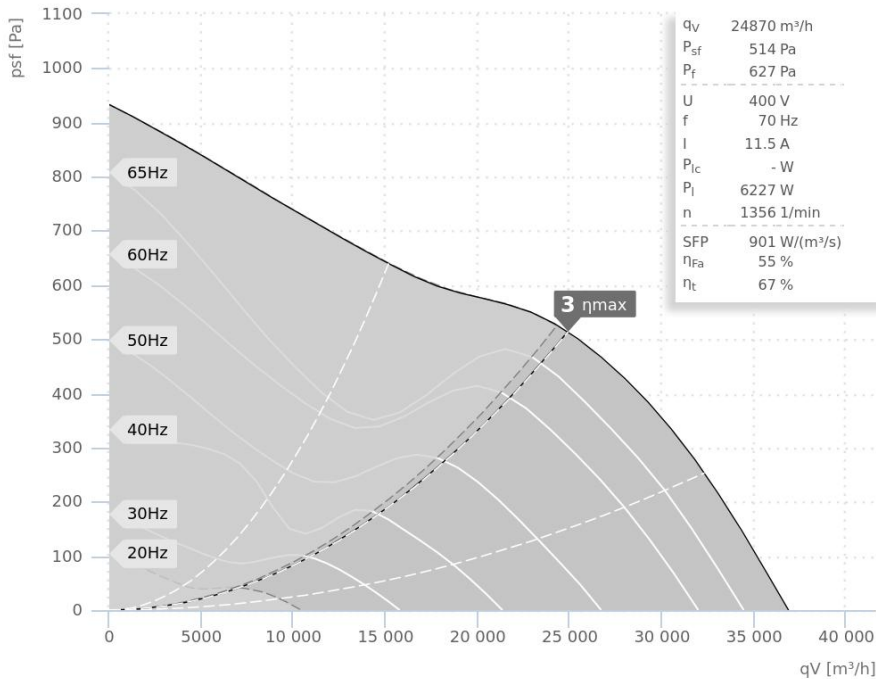
29.03.2022
 29.03.2022
 29.03.2022

162465 00


VENTAS
 VENTILATORER

DATA SHEET

AL 800 D6 F4 03 | 162541

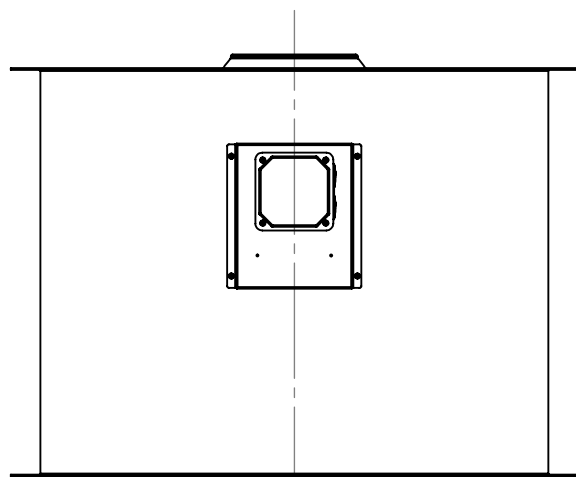
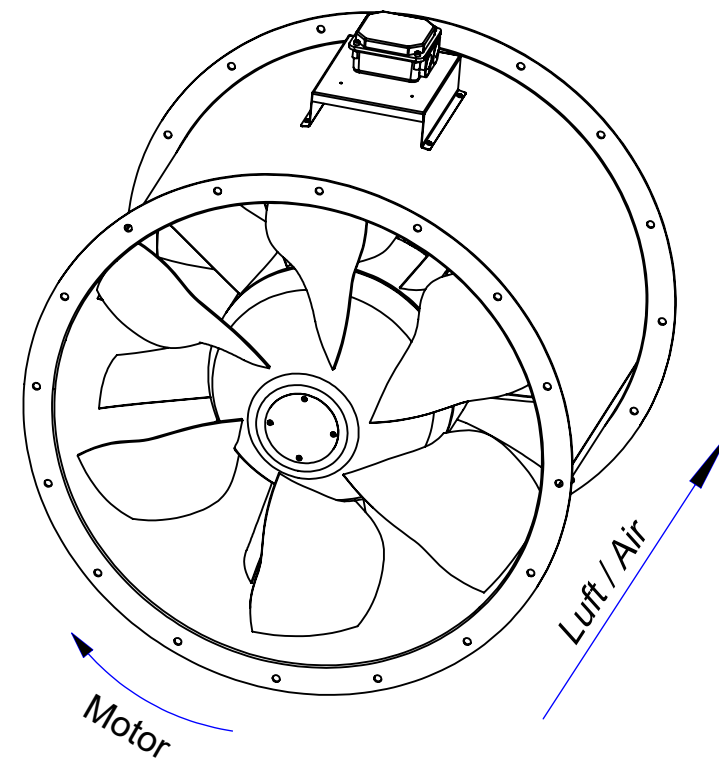
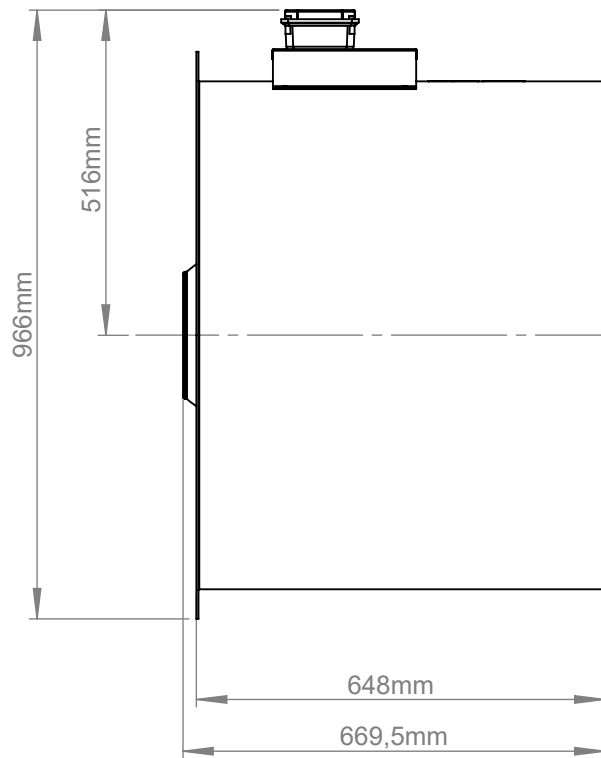
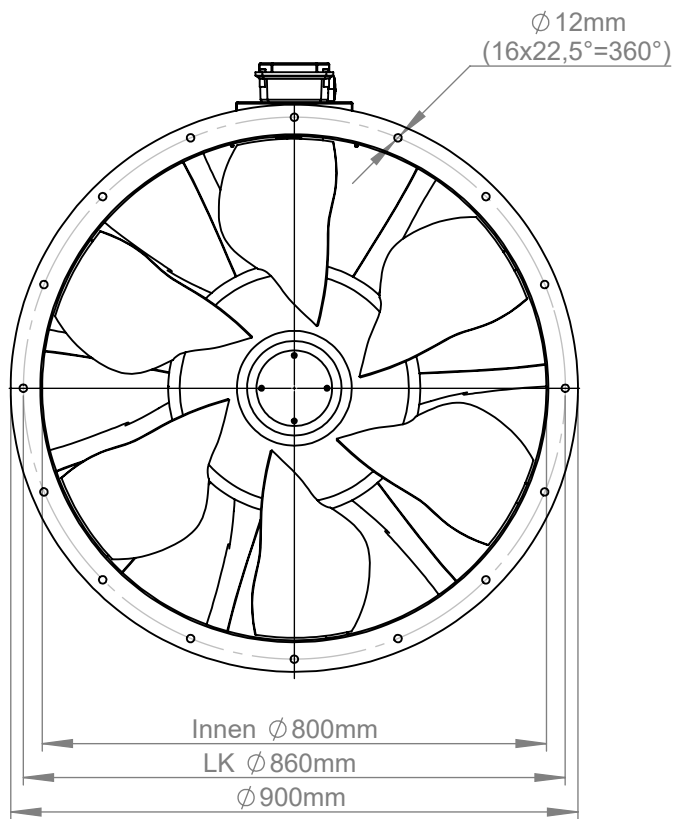


- Certified according to DIN EN 12101-3 (400 °C / 120 min.)
- Suitable for installation in the fire room
- Highest efficiency due to CFD-optimized 3D rotor and 3D stator blades
- Intelligently designed cone hubs
- Smoke extract motors of energy efficiency class IE3
- Exceeds the current ErP regulation by 15-20%
- Variable and stepless control by means of frequency converter
- Dual use for continuous operation up to 60 °C conveyor temperature
- Extensive, tested accessories available

Operating Point		1	2	3	4	5
Current I	A	10,0	11,1	11,5	10,5	9,2
Power consumption P _i	W	5187	5925	6210	5600	4765
Rotation speed n	1/min	1341	1368	1359	1362	1371
SWL inlet L _{WA5}	dB(A)	108	103	101	102	103
SWL outlet L _{WA6}	dB(A)	108	102	100	106	106
SWL housing break out L _{WA2}	dB(A)	88	86	85	87	90

Sound power (L _W) dB(A)		Medium Frequency Band								
		Σ	63	125	250	500	1k	2k	4k	8k
Inlet	L _{WA5}	101	79	87	93	96	95	91	87	82
Outlet	L _{WA6}	100	80	89	94	96	94	90	86	80
Housing radiation	L _{WA2}	85	79	76	76	80	78	72	66	60

AL 800 D6 F4 03 162541	
Voltage U _N	400 V 3~
Current I _{max}	12,1 A
Ambient temperature t _A	60 °C
Conveyed medium temperature t _M	60 °C
Speed Control	f
Motor protection	-
Insulation class motor	H
Weight	164,1 kg
Number of poles	6
IP motor	IP55
IP terminal box	-
IP complete unit	-
Min. operating temperature	-20 °C



ruck^{eu}
 VENTILATOREN
 ruck Ventilatoren
 Max-Planck-Str. 5
 D-97944 Boxberg



Protection Mark
 according to ISO 16016

Created d.hancu
 Drawn d.hancu
 Released d.hancu
 Disabled

1:12 A4 mm

General tolerances
 DIN ISO 2768-c

30.03.2022
 30.03.2022
 30.03.2022

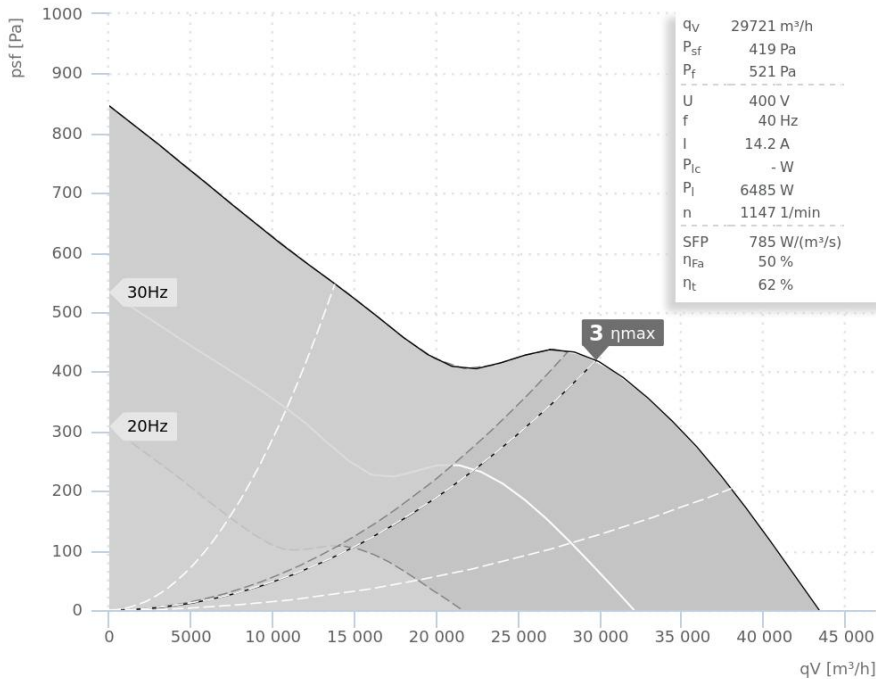
AL800D6F403

162541 00

VENTAS
 VENTILATOREN

DATA SHEET

AL 900 D4 F4 01 | 162685

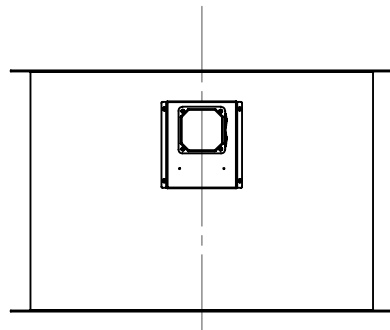
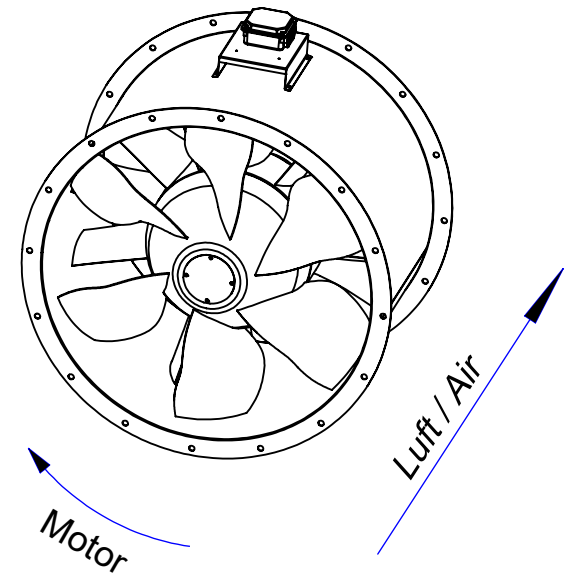
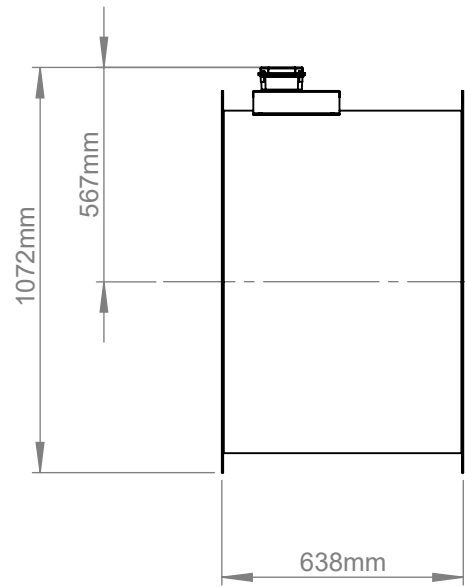
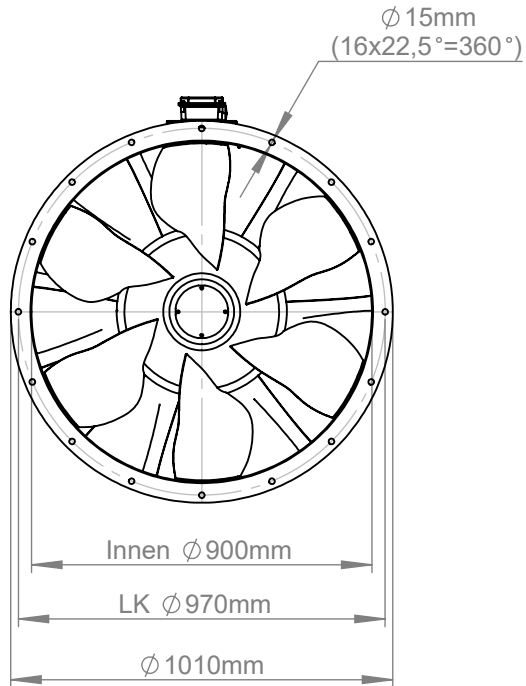


- Certified according to DIN EN 12101-3 (400 °C / 120 min.)
- Suitable for installation in the fire room
- Highest efficiency due to CFD-optimized 3D rotor and 3D stator blades
- Intelligently designed cone hubs
- Smoke extract motors of energy efficiency class IE3
- Exceeds the current ErP regulation by 15-20%
- Variable and stepless control by means of frequency converter
- Dual use for continuous operation up to 60 °C conveyor temperature
- Extensive, tested accessories available

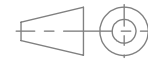
Operating Point		1	2	3	4	5
Current I	A	15,4	13,2	14,2	12,8	11,0
Power consumption P _i	W	5433	5669	6497	5723	4776
Rotation speed n	1/min	1117	1162	1146	1159	1167
SWL inlet L _{WA5}	dB(A)	104	99	100	102	102
SWL outlet L _{WA6}	dB(A)	104	99	100	102	104
SWL housing break out L _{WA2}	dB(A)	85	82	84	86	87

Sound power (L _W) dB(A)		Medium Frequency Band								
		Σ	63	125	250	500	1k	2k	4k	8k
Inlet	L _{WA5}	100	79	86	94	95	95	91	86	80
Outlet	L _{WA6}	100	80	86	93	95	94	90	85	80
Housing radiation	L _{WA2}	84	79	76	76	77	76	71	67	57

AL 900 D4 F4 01 162685	
Voltage U _N	400 V 3~
Current I _{max}	14,9 A
Ambient temperature t _A	60 °C
Conveyed medium temperature t _M	60 °C
Speed Control	f
Motor protection	-
Insulation class motor	H
Weight	158,2 kg
Number of poles	4
IP motor	IP55
IP terminal box	-
IP complete unit	-
Min. operating temperature	-20 °C



ruck^{eu}
 VENTILATOREN
 ruck Ventilatoren
 Max-Planck-Str. 5
 D-97944 Boxberg



1:12 A4 mm

Protection Mark
 according to ISO16016

General tolerances
 DIN ISO 2768-c

AL900D4F401

Created d.hancu
 Drawn d.hancu
 Released d.hancu
 Disabled

06.04.2022
 06.04.2022
 06.04.2022

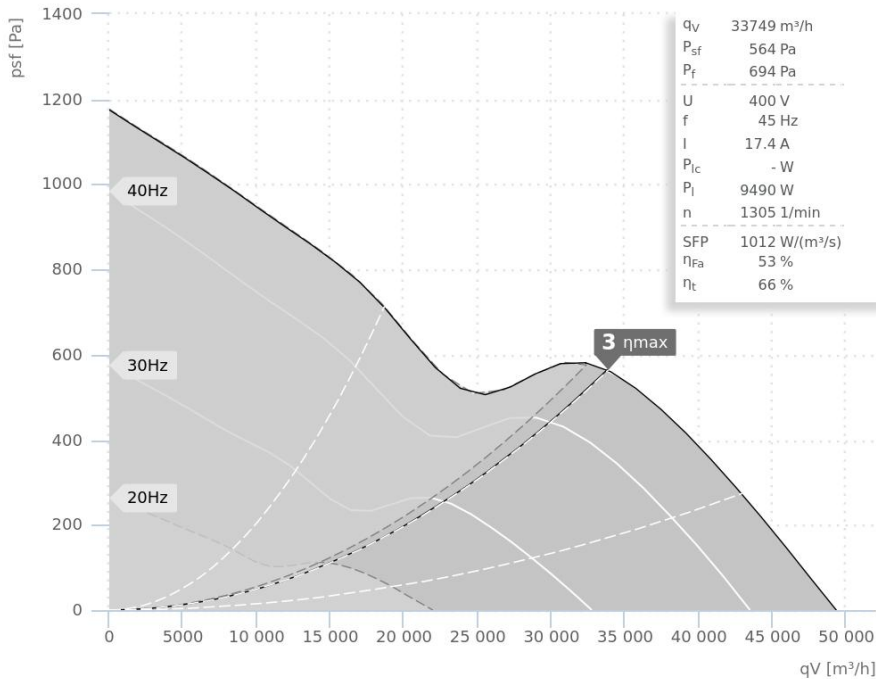
162685 00

VENTAS
 VENTILATOREN

DATA SHEET

ruck.eu
VENTILATOREN

AL 900 D4 F4 02 | 162697

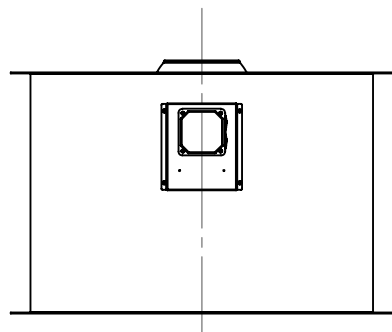
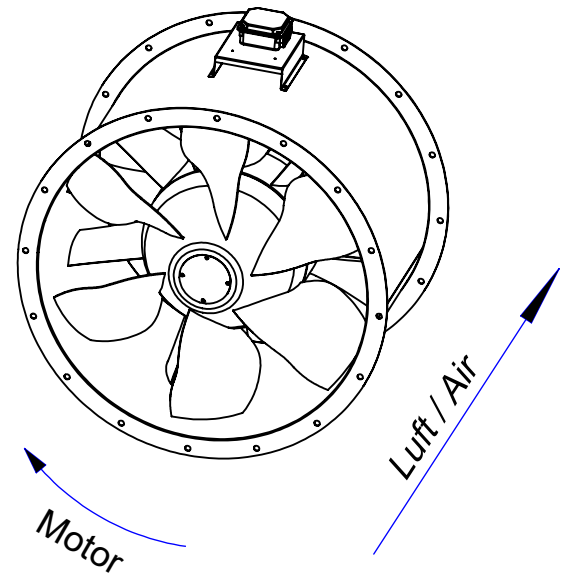
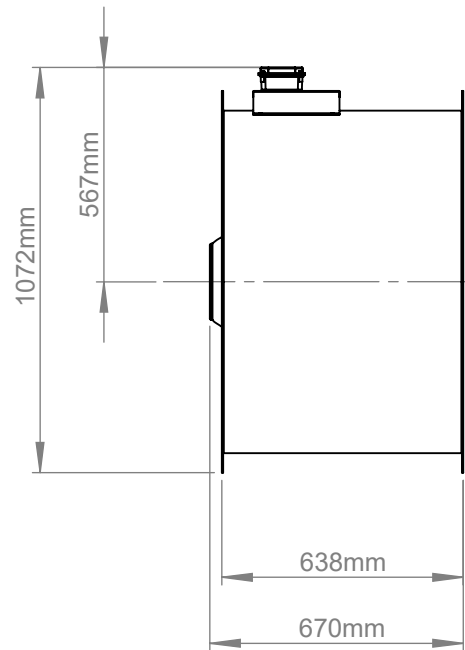
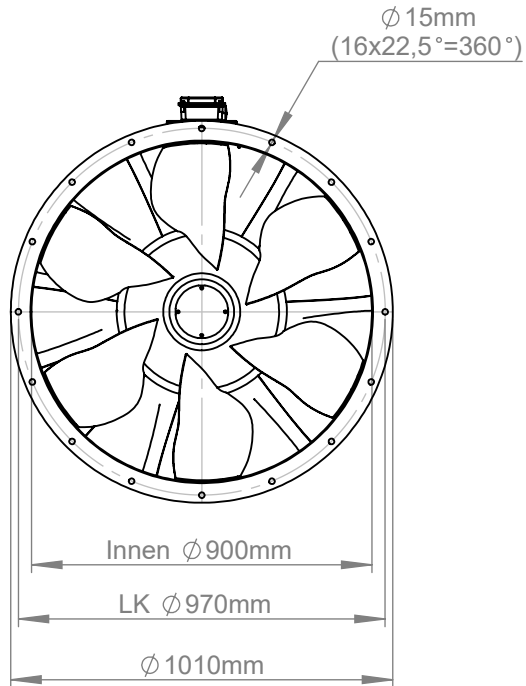


- Certified according to DIN EN 12101-3 (400 °C / 120 min.)
- Suitable for installation in the fire room
- Highest efficiency due to CFD-optimized 3D rotor and 3D stator blades
- Intelligently designed cone hubs
- Smoke extract motors of energy efficiency class IE3
- Exceeds the current ErP regulation by 15-20%
- Variable and stepless control by means of frequency converter
- Dual use for continuous operation up to 60 °C conveyor temperature
- Extensive, tested accessories available

Operating Point		1	2	3	4	5
Current I	A	20,8	17,8	17,6	15,7	13,7
Power consumption P _i	W	11655	9643	9680	8355	6974
Rotation speed n	1/min	1276	1304	1301	1321	1323
SWL inlet L _{WA5}	dB(A)	108	104	104	107	106
SWL outlet L _{WA6}	dB(A)	108	103	104	107	108
SWL housing break out L _{WA2}	dB(A)	89	87	87	90	90

Sound power (L _W) dB(A)		Medium Frequency Band								
		Σ	63	125	250	500	1k	2k	4k	8k
Inlet	L _{WA5}	104	81	89	99	98	97	93	89	82
Outlet	L _{WA6}	103	81	89	98	98	97	93	88	82
Housing radiation	L _{WA2}	87	80	80	80	80	79	74	70	60

AL 900 D4 F4 02 162697	
Voltage U _N	400 V 3~
Current I _{max}	18,3 A
Ambient temperature t _A	60 °C
Conveyed medium temperature t _M	60 °C
Speed Control	f
Motor protection	-
Insulation class motor	H
Weight	169,2 kg
Number of poles	4
IP motor	IP55
IP terminal box	-
IP complete unit	-
Min. operating temperature	-20 °C



ruck^{eu}
 VENTILATOREN
 ruck Ventilatoren
 Max-Planck-Str. 5
 D-97944 Boxberg



1:12 A4 mm

Protection Mark
 according to ISO16016

General tolerances
 DIN ISO 2768-c

AL900D4F402

Created d.hancu
 Drawn d.hancu
 Released d.hancu
 Disabled

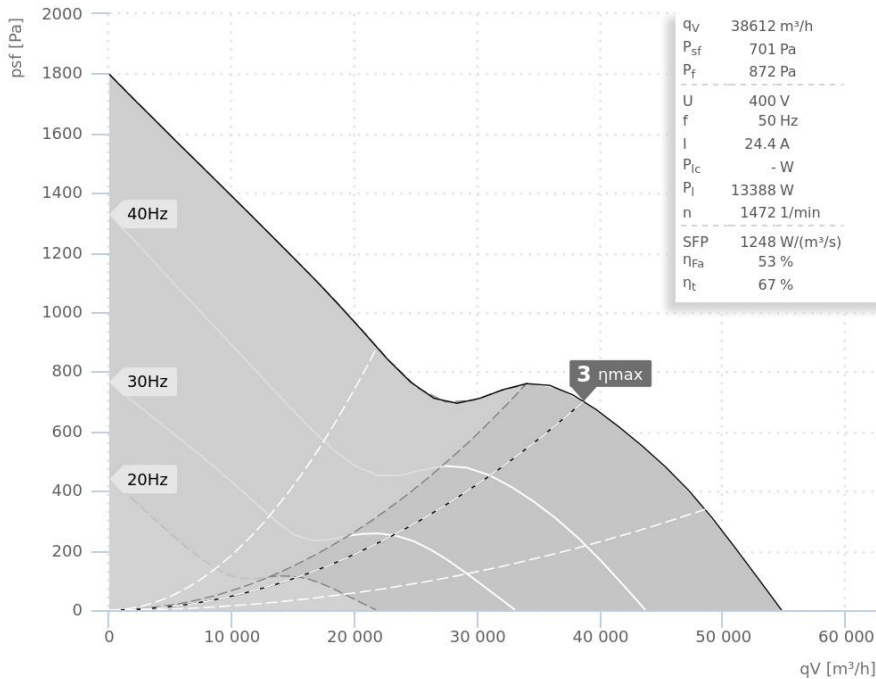
07.04.2022
 07.04.2022
 07.04.2022

162697 00

VENTAS
 VENTILATOREN

DATA SHEET

AL 900 D4 F4 03 | 162656

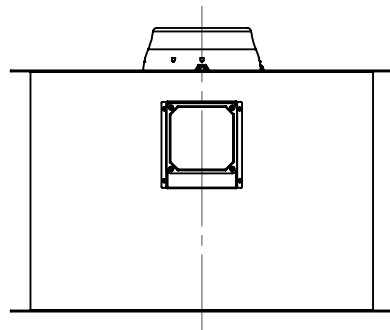
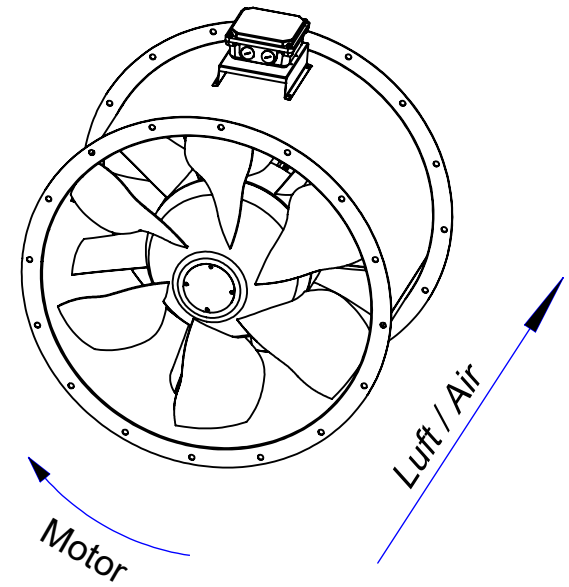
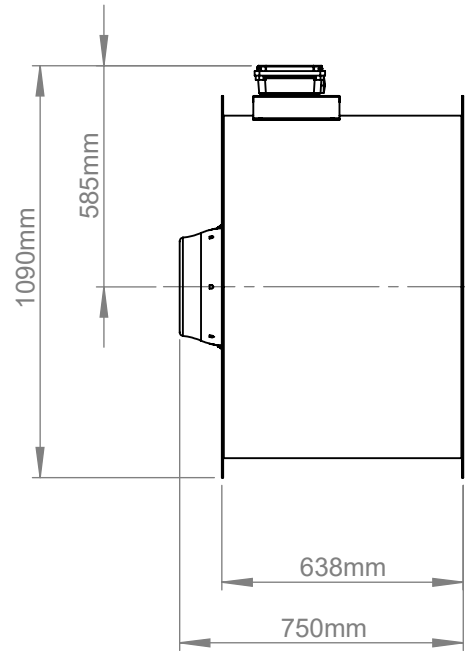
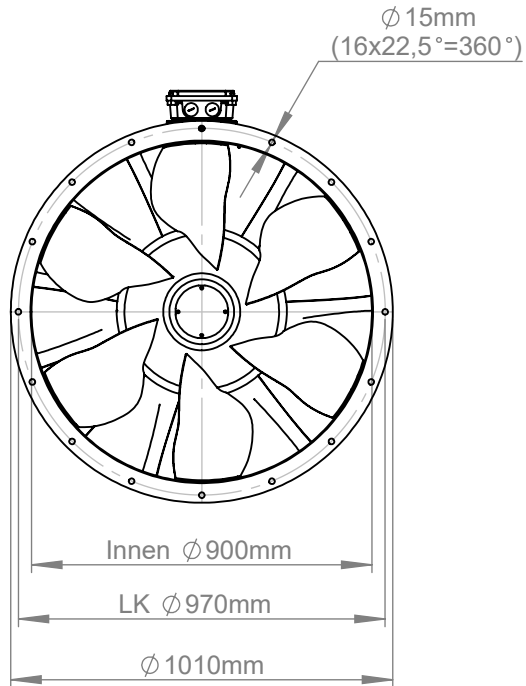


- Certified according to DIN EN 12101-3 (400 °C / 120 min.)
- Suitable for installation in the fire room
- Highest efficiency due to CFD-optimized 3D rotor and 3D stator blades
- Intelligently designed cone hubs
- Smoke extract motors of energy efficiency class IE3
- Exceeds the current ErP regulation by 15-20%
- Variable and stepless control by means of frequency converter
- Dual use for continuous operation up to 60 °C conveyor temperature
- Extensive, tested accessories available

Operating Point		1	2	3	4	5
Current I	A	24,1	23,1	24,2	21,8	19,8
Power consumption P _i	W	12576	12465	13503	11546	9833
Rotation speed n	1/min	1406	1471	1468	1479	1482
SWL inlet L _{WA5}	dB(A)	111	106	108	111	113
SWL outlet L _{WA6}	dB(A)	111	105	107	112	115
SWL housing break out L _{WA2}	dB(A)	92	88	90	94	96

Sound power (L _W) dB(A)		Medium Frequency Band								
		Σ	63	125	250	500	1k	2k	4k	8k
Inlet	L _{WA5}	109	85	93	106	103	102	98	92	86
Outlet	L _{WA6}	109	83	93	105	102	102	97	92	85
Housing radiation	L _{WA2}	92	82	86	86	85	84	79	73	63

AL 900 D4 F4 03 162656	
Voltage U _N	400 V 3~
Current I _{max}	25,2 A
Ambient temperature t _A	60 °C
Conveyed medium temperature t _M	60 °C
Speed Control	f
Motor protection	-
Insulation class motor	H
Weight	206,2 kg
Number of poles	4
IP motor	IP55
IP terminal box	-
IP complete unit	-
Min. operating temperature	-20 °C



ruck^{eu}
 VENTILATOREN
 ruck Ventilatoren
 Max-Planck-Str. 5
 D-97944 Boxberg



1:12 A4 mm

Protection Mark
 according to ISO16016

General tolerances
 DIN ISO 2768-c

AL900D4F403

Created d.hancu
 Drawn d.hancu
 Released d.hancu
 Disabled

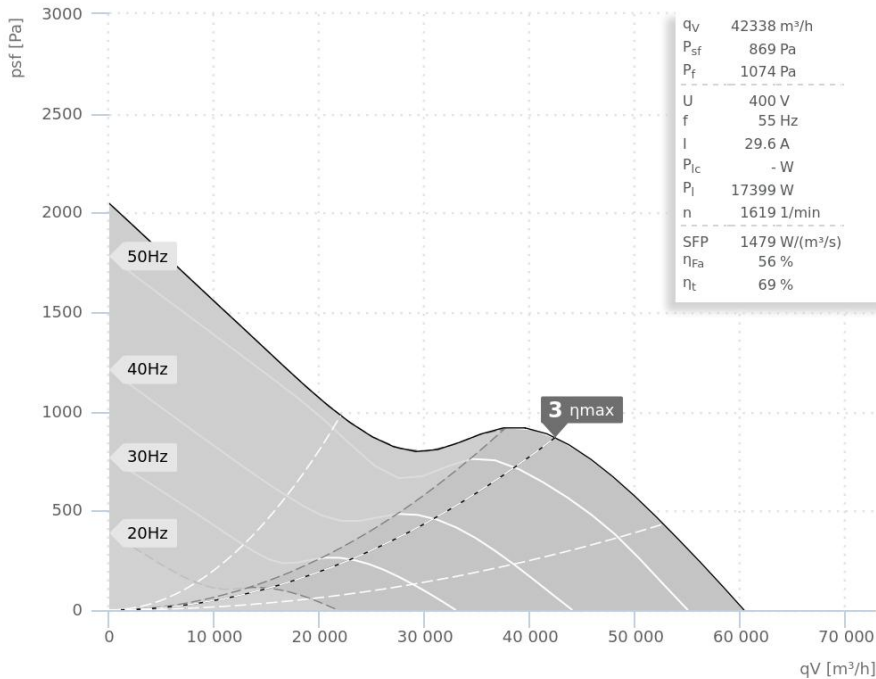
06.04.2022
 06.04.2022
 06.04.2022

162656 00

VENTAS
 VENTILATORER

DATA SHEET

AL 900 D4 F4 04 | 162679

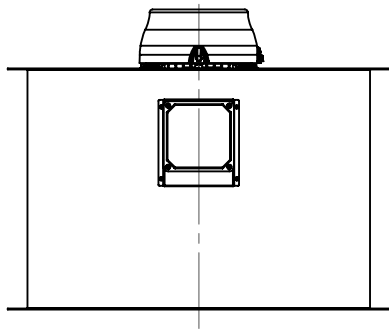
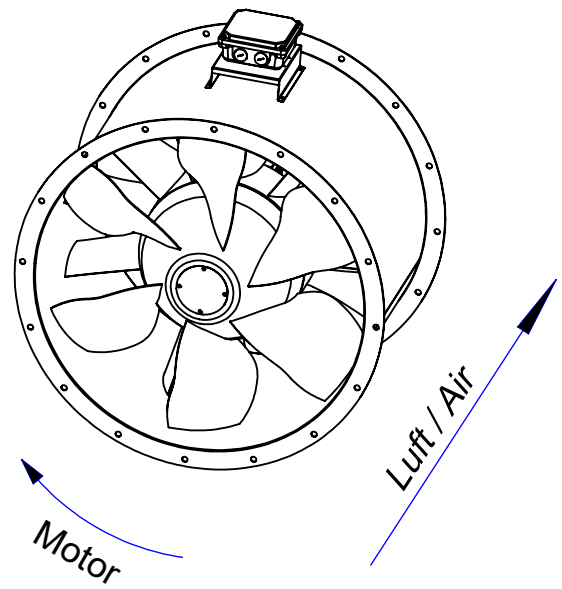
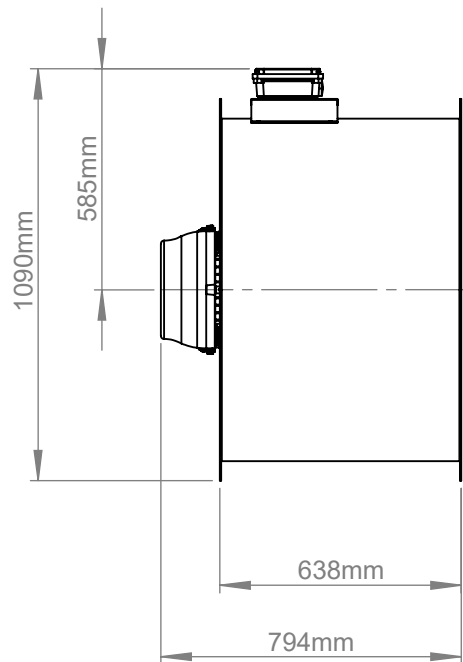
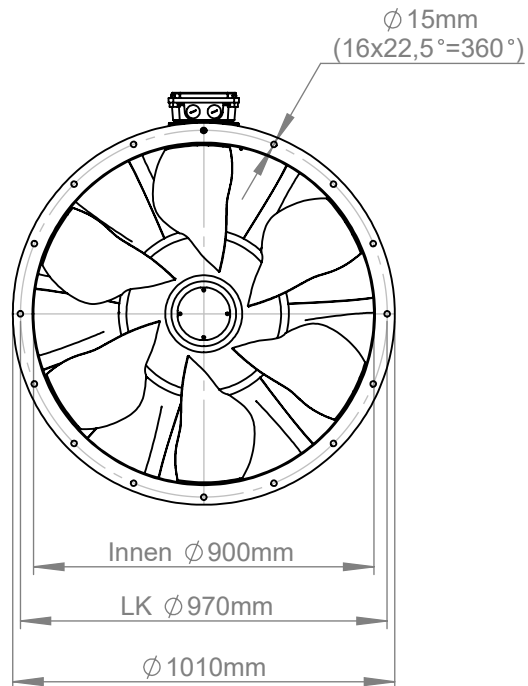


- Certified according to DIN EN 12101-3 (400 °C / 120 min.)
- Suitable for installation in the fire room
- Highest efficiency due to CFD-optimized 3D rotor and 3D stator blades
- Intelligently designed cone hubs
- Smoke extract motors of energy efficiency class IE3
- Exceeds the current ErP regulation by 15-20%
- Variable and stepless control by means of frequency converter
- Dual use for continuous operation up to 60 °C conveyor temperature
- Extensive, tested accessories available

Operating Point		1	2	3	4	5
Current I	A	27,9	26,9	31,0	26,3	22,6
Power consumption P _i	W	15919	15707	18312	15080	12643
Rotation speed n	1/min	1553	1661	1603	1628	1632
SWL inlet L _{WA5}	dB(A)	115	96	109	113	112
SWL outlet L _{WA6}	dB(A)	115	96	109	114	115
SWL housing break out L _{WA2}	dB(A)	94	73	90	95	95

Sound power (L _W) dB(A)		Medium Frequency Band								
		Σ	63	125	250	500	1k	2k	4k	8k
Inlet	L _{WA5}	112	85	97	105	108	107	103	97	90
Outlet	L _{WA6}	112	84	97	104	107	106	102	96	89
Housing radiation	L _{WA2}	93	83	87	86	87	86	81	75	65

AL 900 D4 F4 04 162679	
Voltage U _N	400 V 3~
Current I _{max}	31,0 A
Ambient temperature t _A	60 °C
Conveyed medium temperature t _M	60 °C
Speed Control	f
Motor protection	-
Insulation class motor	H
Weight	244,8 kg
Number of poles	4
IP motor	IP55
IP terminal box	-
IP complete unit	-
Min. operating temperature	-20 °C



ruck^{eu}
 VENTILATOREN
 ruck Ventilatoren
 Max-Planck-Str. 5
 D-97944 Boxberg



1:12 A4 mm

Protection Mark
 according to ISO16016

General tolerances
 DIN ISO 2768-c

AL900D4F404

Created d.hancu
 Drawn d.hancu
 Released d.hancu
 Disabled

06.04.2022
 06.04.2022
 06.04.2022

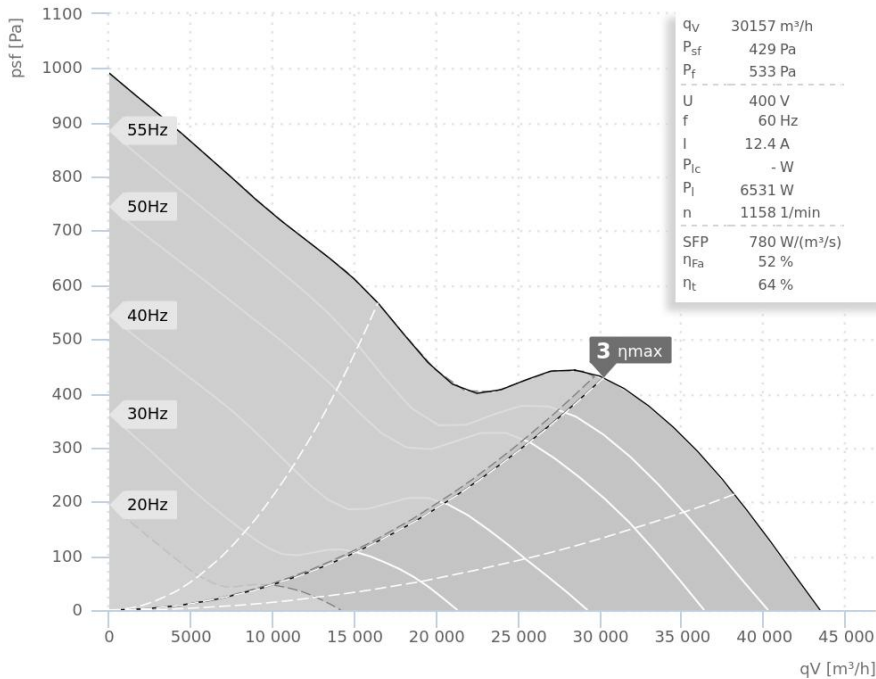
162679 00

VENTAS
 VENTILATOREN

DATA SHEET

ruck.eu
VENTILATOREN

AL 900 D6 F4 02 | 162691

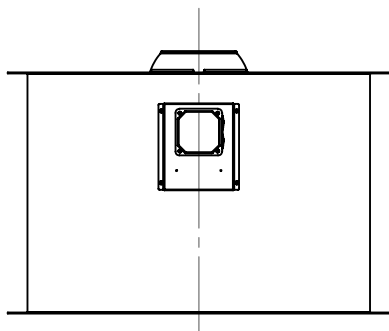
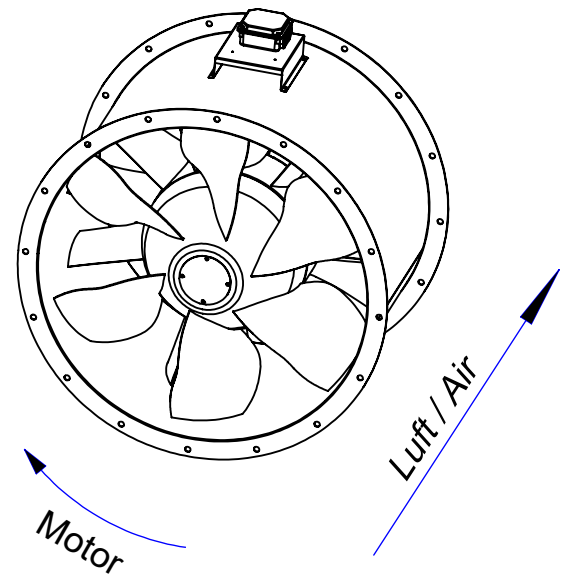
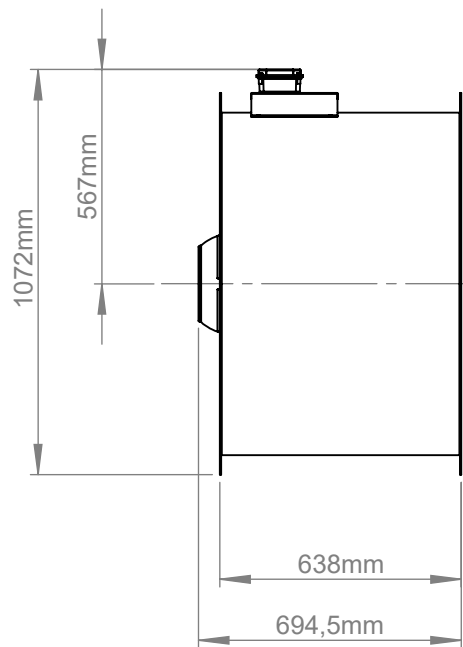
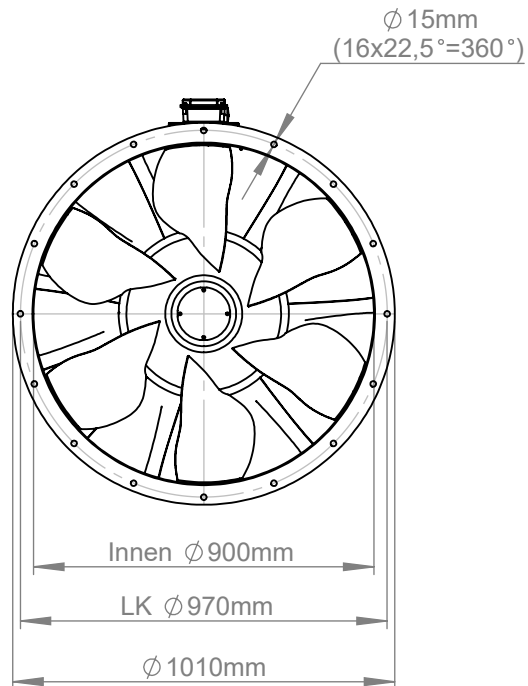


- Certified according to DIN EN 12101-3 (400 °C / 120 min.)
- Suitable for installation in the fire room
- Highest efficiency due to CFD-optimized 3D rotor and 3D stator blades
- Intelligently designed cone hubs
- Smoke extract motors of energy efficiency class IE3
- Exceeds the current ErP regulation by 15-20%
- Variable and stepless control by means of frequency converter
- Dual use for continuous operation up to 60 °C conveyor temperature
- Extensive, tested accessories available

Operating Point		1	2	3	4	5
Current I	A	13,2	12,3	12,5	11,3	9,8
Power consumption P _i	W	6908	6475	6604	5853	4865
Rotation speed n	1/min	1117	1160	1155	1169	1173
SWL inlet L _{WA5}	dB(A)	104	101	99	100	101
SWL outlet L _{WA6}	dB(A)	104	102	100	105	104
SWL housing break out L _{WA2}	dB(A)	84	83	83	86	89

Sound power (L _W) dB(A)		Medium Frequency Band								
		Σ	63	125	250	500	1k	2k	4k	8k
Inlet	L _{WA5}	99	78	85	92	95	94	90	86	80
Outlet	L _{WA6}	99	80	88	93	95	94	90	85	78
Housing radiation	L _{WA2}	84	78	75	76	78	77	71	64	58

AL 900 D6 F4 02 162691	
Voltage U _N	400 V 3~
Current I _{max}	13,1 A
Ambient temperature t _A	60 °C
Conveyed medium temperature t _M	60 °C
Speed Control	f
Motor protection	-
Insulation class motor	H
Weight	177,2 kg
Number of poles	6
IP motor	IP55
IP terminal box	-
IP complete unit	-
Min. operating temperature	-20 °C



ruck^{eu}
 VENTILATOREN
 ruck Ventilatoren
 Max-Planck-Str. 5
 D-97944 Boxberg



1:12 A4 mm

Protection Mark
 according to ISO16016

General tolerances
 DIN ISO 2768-c

AL900D6F402

Created d.hancu
 Drawn d.hancu
 Released d.hancu
 Disabled

07.04.2022
 07.04.2022
 07.04.2022

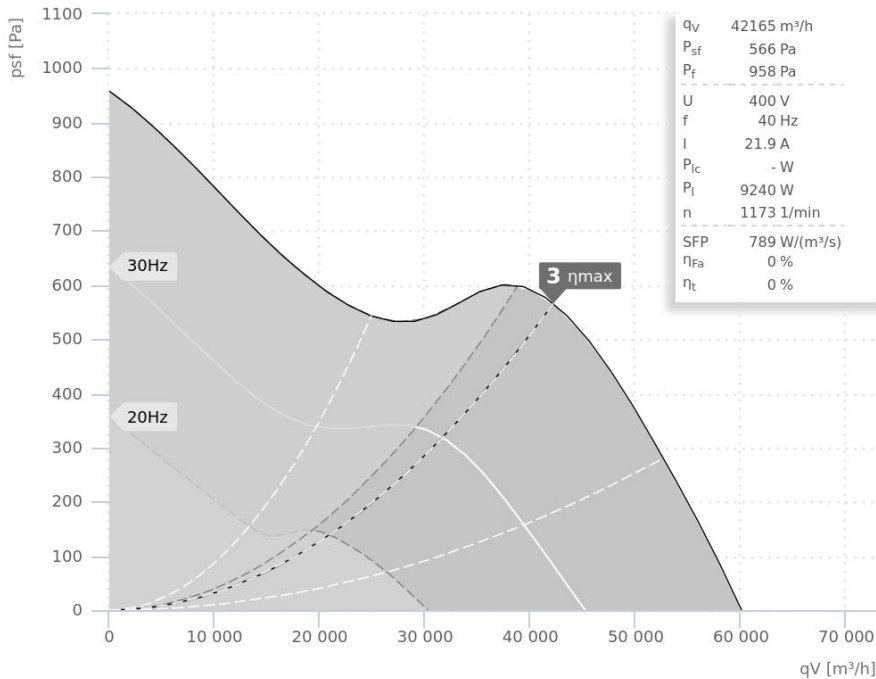
162691 00

VENTAS
 VENTILATOREN

DATA SHEET

ruck.eu
VENTILATOREN

AL 1000 D4 F4 01 | 162606

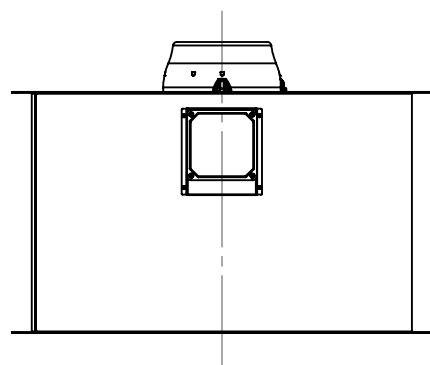
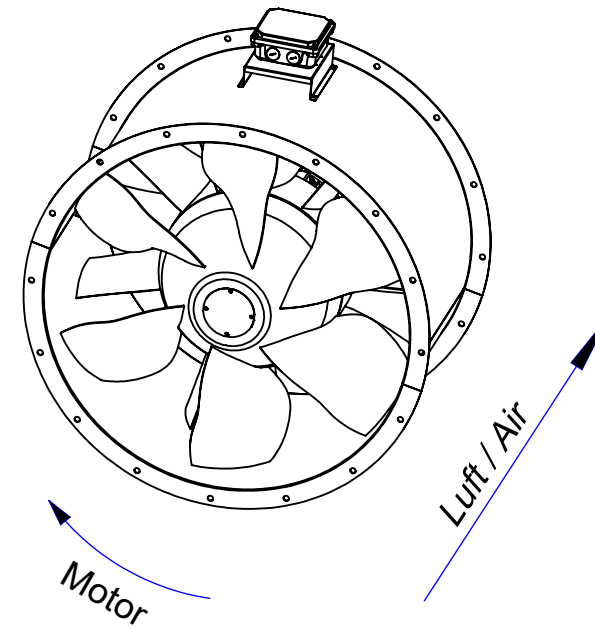
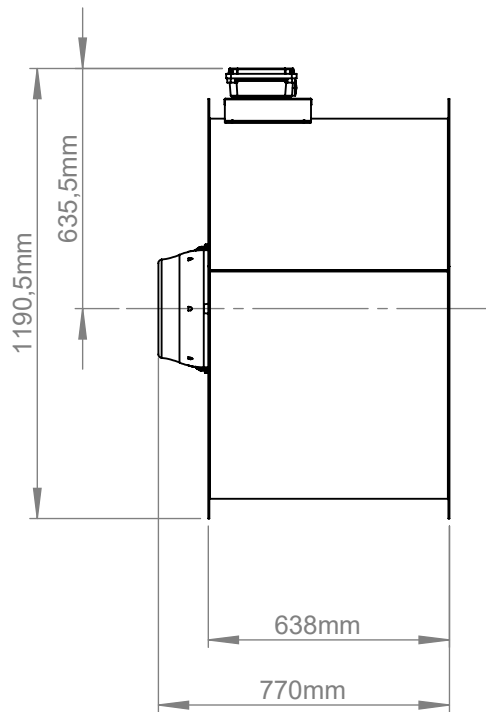
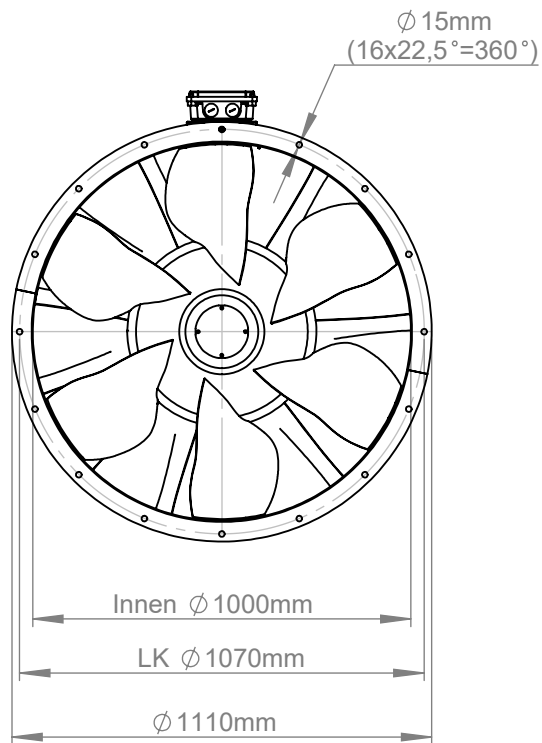


- Certified according to DIN EN 12101-3 (400 °C / 120 min.)
- If mounting feet are used, an additional RVS and TRA are mandatory
- Suitable for installation in the fire room
- Highest efficiency due to CFD-optimized 3D rotor and 3D stator blades
- Intelligently designed cone hubs
- Smoke extract motors of energy efficiency class IE3
- Exceeds the current ErP regulation by 15-20%
- Variable and stepless control by means of frequency converter
- Dual use for continuous operation up to 60 °C conveyor temperature
- Extensive, tested accessories available

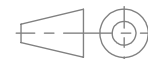
Operating Point		1	2	3	4	5
Current I	A	20,8	19,7	25,9	23,5	20,1
Power consumption P _i	W	8366	8103	11512	9951	8270
Rotation speed n	1/min	1118	1167	1166	1177	1182
SWL inlet L _{WA5}	dB(A)	104	103	102	104	104
SWL outlet L _{WA6}	dB(A)	104	103	101	104	106
SWL housing break out L _{WA2}	dB(A)	86	87	85	87	89

Sound power (L _W) dB(A)		Medium Frequency Band								
		Σ	63	125	250	500	1k	2k	4k	8k
Inlet	L _{WA5}	105	76	86	95	99	101	99	94	85
Outlet	L _{WA6}	105	75	85	95	99	101	99	94	85
Housing radiation	L _{WA2}	87	75	75	78	81	82	78	69	61

AL 1000 D4 F4 01 162606	
Voltage U _N	400 V 3~
Current I _{max}	26,8 A
Ambient temperature t _A	60 °C
Conveyed medium temperature t _M	60 °C
Speed Control	f
Motor protection	-
Insulation class motor	H
Weight	220,0 kg
Number of poles	4
IP motor	IP55
IP terminal box	-
IP complete unit	-
Min. operating temperature	-20 °C



ruck^{eu}
 VENTILATOREN
 ruck Ventilatoren
 Max-Planck-Str. 5
 D-97944 Boxberg



1:12 A4 mm

Protection Mark
 according to ISO16016

General tolerances
 DIN ISO 2768-c

Created d.hancu
 Drawn d.hancu
 Released d.hancu
 Disabled

01.04.2022
 01.04.2022
 01.04.2022

AL1000D4F401

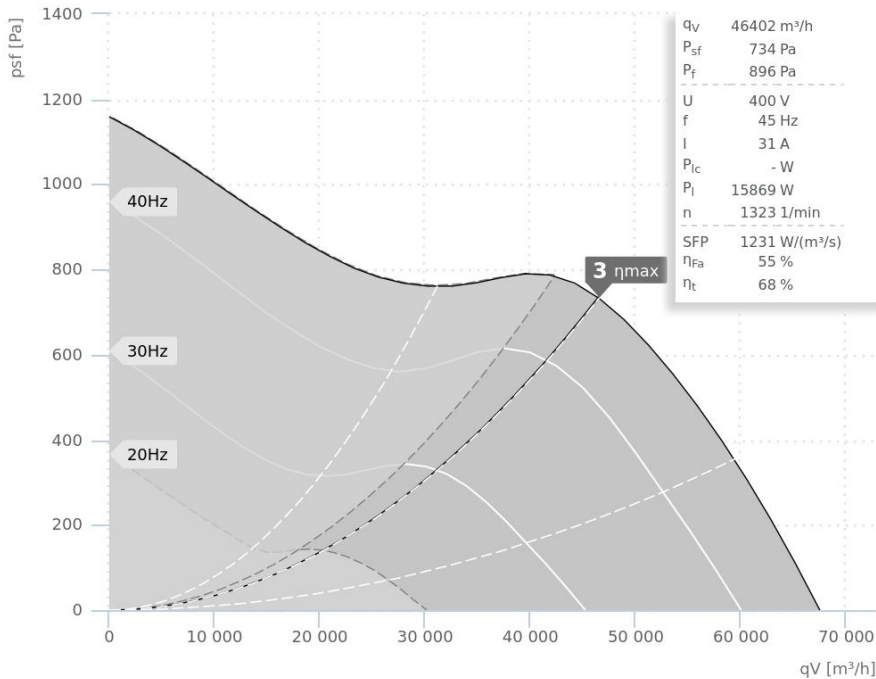
162606 00

VENTAS
 VENTILATORER

DATA SHEET

ruck.eu
VENTILATOREN

AL 1000 D4 F4 02 | 162634

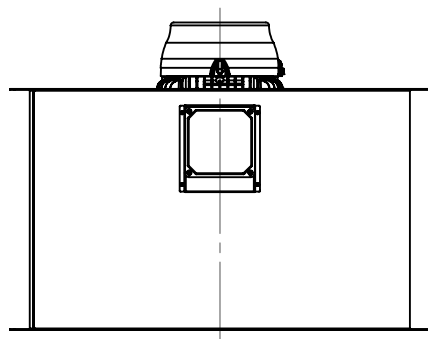
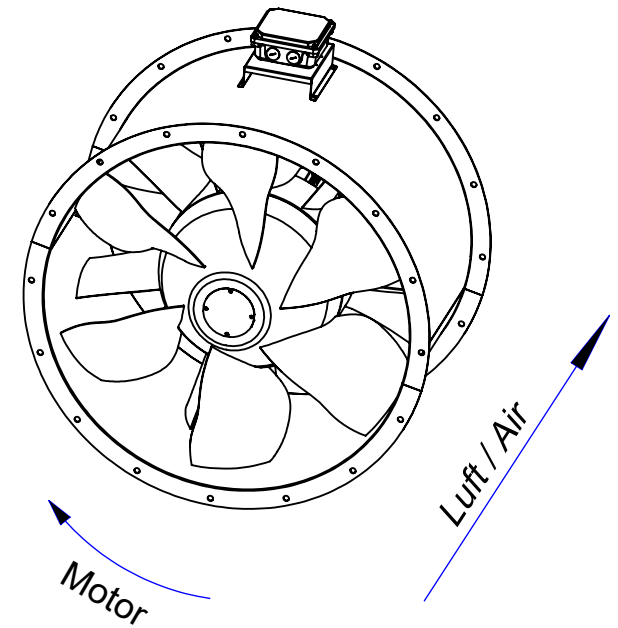
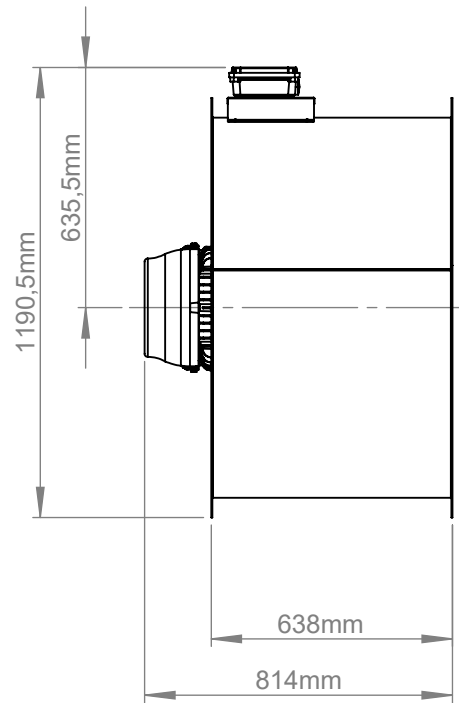
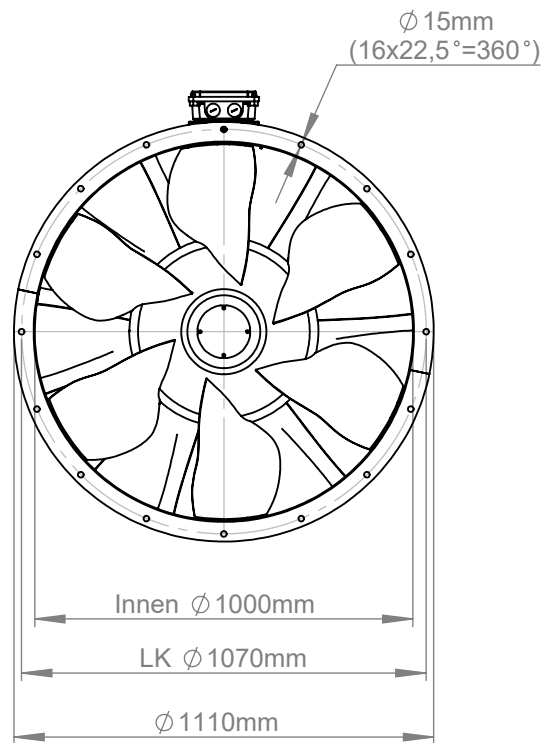


- Certified according to DIN EN 12101-3 (400 °C / 120 min.)
- If mounting feet are used, an additional RVS and TRA are mandatory
- Suitable for installation in the fire room
- Highest efficiency due to CFD-optimized 3D rotor and 3D stator blades
- Intelligently designed cone hubs
- Smoke extract motors of energy efficiency class IE3
- Exceeds the current ErP regulation by 15-20%
- Variable and stepless control by means of frequency converter
- Dual use for continuous operation up to 60 °C conveyor temperature
- Extensive, tested accessories available

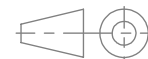
Operating Point		1	2	3	4	5
Current I	A	26,5	31,0	31,1	28,0	24,2
Power consumption P _i	W	13150	15792	15908	13945	11628
Rotation speed n	1/min	1310	1326	1320	1326	1332
SWL inlet L _{WA5}	dB(A)	107	107	106	107	108
SWL outlet L _{WA6}	dB(A)	107	107	106	108	109
SWL housing break out L _{WA2}	dB(A)	89	90	89	91	92

Sound power (L _W) dB(A)		Medium Frequency Band								
		Σ	63	125	250	500	1k	2k	4k	8k
Inlet	L _{WA5}	107	84	92	101	101	101	97	91	85
Outlet	L _{WA6}	106	84	92	101	100	100	96	90	84
Housing radiation	L _{WA2}	90	83	83	83	83	82	77	72	62

AL 1000 D4 F4 02 162634	
Voltage U _N	400 V 3~
Current I _{max}	32,8 A
Ambient temperature t _A	60 °C
Conveyed medium temperature t _M	60 °C
Speed Control	f
Motor protection	-
Insulation class motor	H
Weight	264,0 kg
Number of poles	4
IP motor	IP55
IP terminal box	-
IP complete unit	-
Min. operating temperature	-20 °C



ruck^{eu}
 VENTILATOREN
 ruck Ventilatoren
 Max-Planck-Str. 5
 D-97944 Boxberg



Protection Mark
 according to ISO16016
 Created d.hancu
 Drawn d.hancu
 Released d.hancu
 Disabled

1:12 A4 mm

General tolerances
 DIN ISO 2768-c

AL1000D4F402

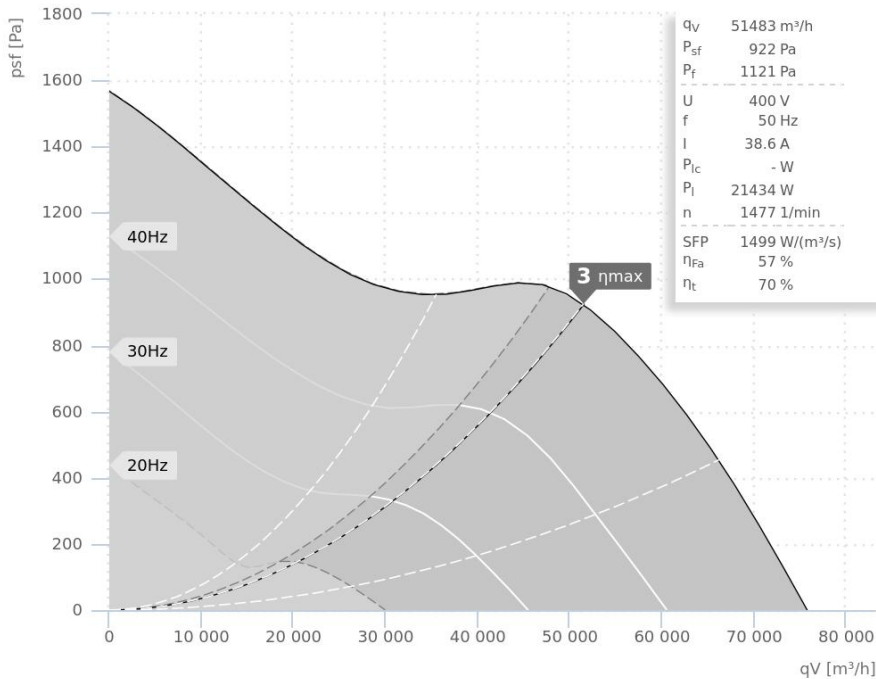
162634 00

VENTAS
 VENTILATORER

DATA SHEET

ruck.eu
VENTILATOREN

AL 1000 D4 F4 04 | 162645

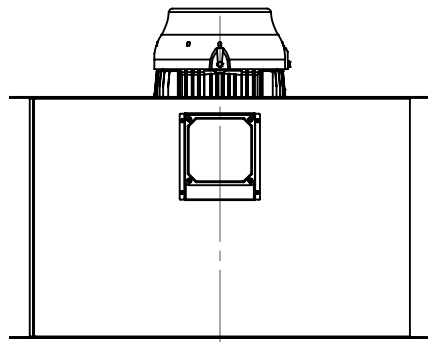
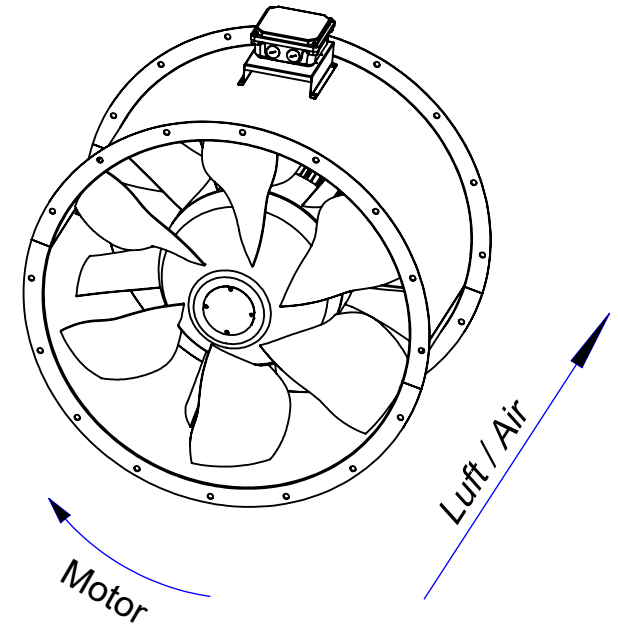
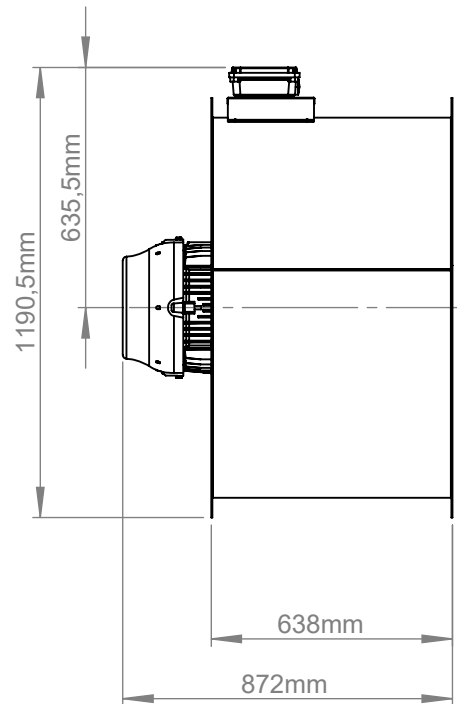
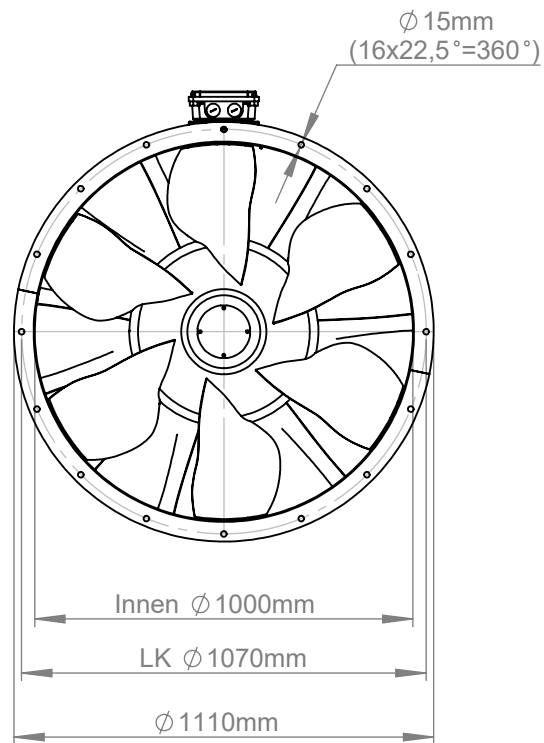


- Certified according to DIN EN 12101-3 (400 °C / 120 min.)
- If mounting feet are used, an additional RVS and TRA are mandatory
- Suitable for installation in the fire room
- Highest efficiency due to CFD-optimized 3D rotor and 3D stator blades
- Intelligently designed cone hubs
- Smoke extract motors of energy efficiency class IE3
- Exceeds the current ErP regulation by 15-20%
- Variable and stepless control by means of frequency converter
- Dual use for continuous operation up to 60 °C conveyor temperature
- Extensive, tested accessories available

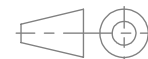
Operating Point		1	2	3	4	5
Current I	A	38,1	38,8	38,6	35,2	31,3
Power consumption P _i	W	20876	22006	21439	19369	16019
Rotation speed n	1/min	1454	1480	1474	1483	1488
SWL inlet L _{WA5}	dB(A)	111	112	109	113	115
SWL outlet L _{WA6}	dB(A)	111	111	109	114	117
SWL housing break out L _{WA2}	dB(A)	92	94	91	95	98

Sound power (L _W) dB(A)		Medium Frequency Band								
		Σ	63	125	250	500	1k	2k	4k	8k
Inlet	L _{WA5}	110	84	93	107	104	103	99	94	87
Outlet	L _{WA6}	110	83	94	106	103	103	99	93	87
Housing radiation	L _{WA2}	92	82	85	87	85	85	80	75	65

AL 1000 D4 F4 04 162645	
Voltage U _N	400 V 3~
Current I _{max}	41,1 A
Ambient temperature t _A	60 °C
Conveyed medium temperature t _M	60 °C
Speed Control	f
Motor protection	-
Insulation class motor	H
Weight	313,0 kg
Number of poles	4
IP motor	IP55
IP terminal box	-
IP complete unit	-
Min. operating temperature	-20 °C



ruck^{eu}
 VENTILATOREN
 ruck Ventilatoren
 Max-Planck-Str. 5
 D-97944 Boxberg



1:12 A4 mm

Protection Mark
 according to ISO16016

General tolerances
 DIN ISO 2768-c

AL1000D4F404

Created d.hancu
 Drawn d.hancu
 Released d.hancu
 Disabled

05.04.2022
 05.04.2022
 05.04.2022

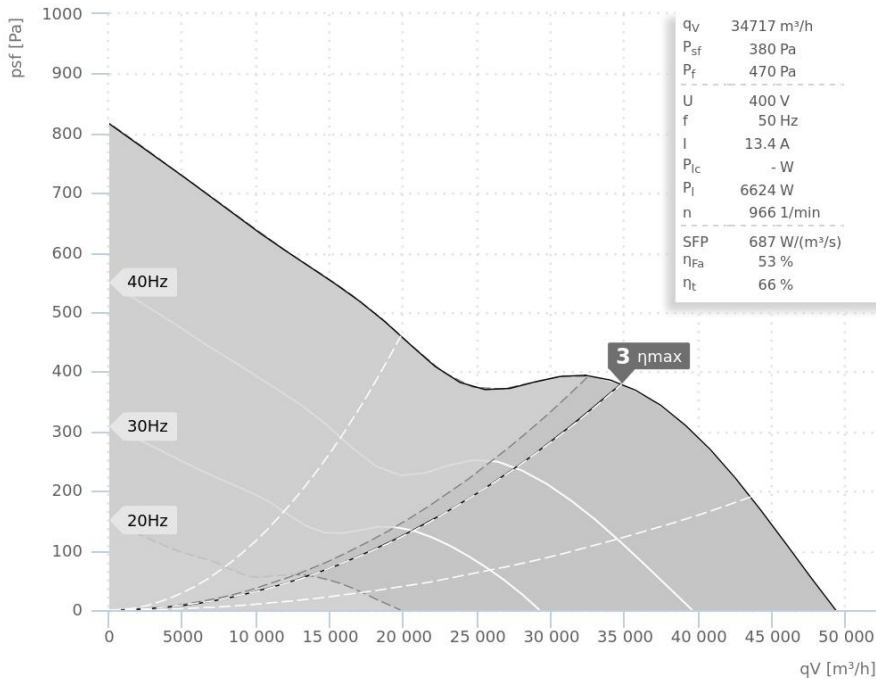
162645 00

VENTAS
 VENTILATORER

DATA SHEET

ruck.eu
VENTILATOREN

AL 1000 D6 F4 02 | 162650

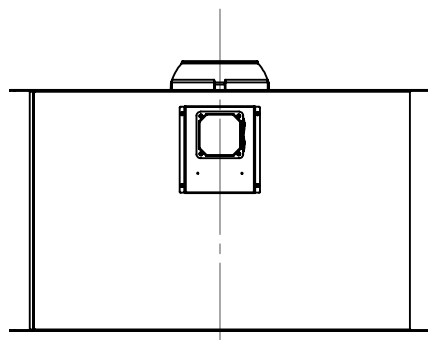
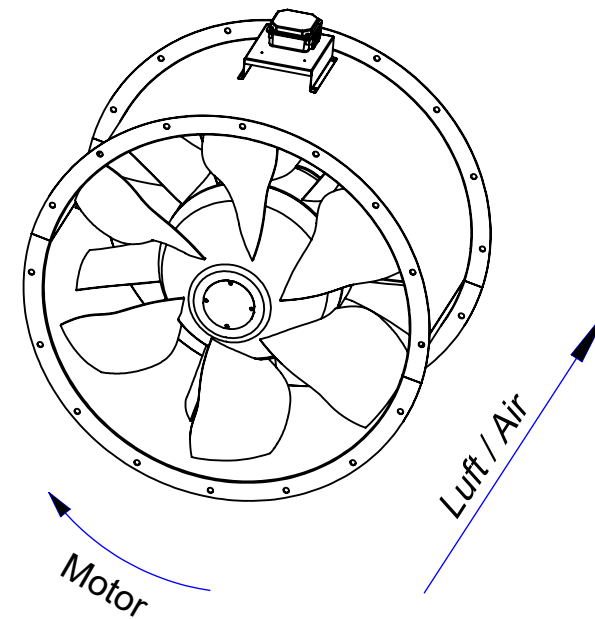
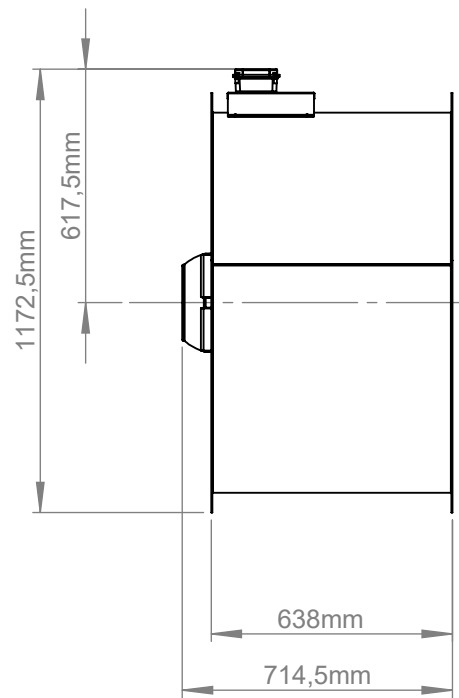
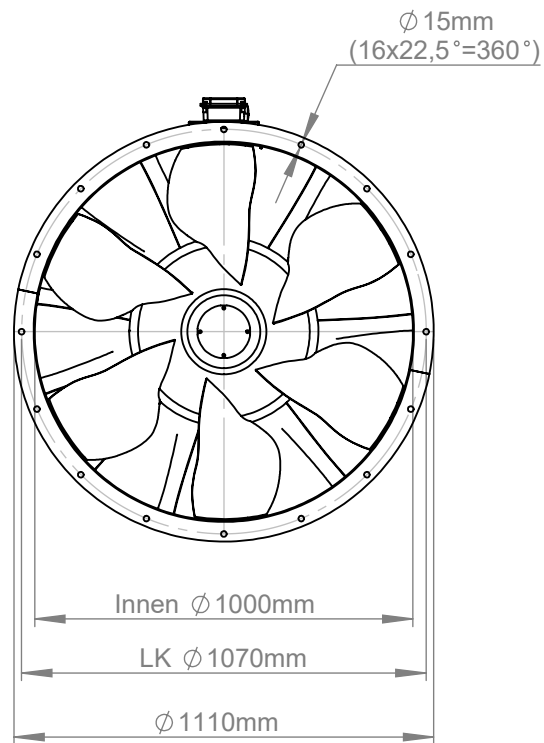


- Certified according to DIN EN 12101-3 (400 °C / 120 min.)
- If mounting feet are used, an additional RVS and TRA are mandatory
- Suitable for installation in the fire room
- Highest efficiency due to CFD-optimized 3D rotor and 3D stator blades
- Intelligently designed cone hubs
- Smoke extract motors of energy efficiency class IE3
- Exceeds the current ErP regulation by 15-20%
- Variable and stepless control by means of frequency converter
- Dual use for continuous operation up to 60 °C conveyor temperature
- Extensive, tested accessories available

Operating Point		1	2	3	4	5
Current I	A	13,6	12,1	13,9	12,4	10,9
Power consumption P _i	W	6801	5630	6773	5880	4830
Rotation speed n	1/min	954	971	969	978	978
SWL inlet L _{WA5}	dB(A)	101	99	98	99	99
SWL outlet L _{WA6}	dB(A)	101	97	97	102	102
SWL housing break out L _{WA2}	dB(A)	85	86	85	87	89

Sound power (L _W) dB(A)		Medium Frequency Band								
		Σ	63	125	250	500	1k	2k	4k	8k
Inlet	L _{WA5}	98	74	82	94	92	91	87	83	77
Outlet	L _{WA6}	96	77	85	90	91	90	86	82	75
Housing radiation	L _{WA2}	85	77	72	82	76	75	70	61	56

AL 1000 D6 F4 02 162650	
Voltage U _N	400 V 3~
Current I _{max}	14,4 A
Ambient temperature t _A	60 °C
Conveyed medium temperature t _M	60 °C
Speed Control	f
Motor protection	-
Insulation class motor	H
Weight	195,0 kg
Number of poles	6
IP motor	IP55
IP terminal box	-
IP complete unit	-
Min. operating temperature	-20 °C



ruck^{eu}
VENTILATOREN
ruck Ventilatoren
Max-Planck-Str. 5
D-97944 Boxberg



1:12 A4 mm

Protection Mark
according to ISO16016

General tolerances
DIN ISO 2768-c

Created d.hancu
Drawn d.hancu
Released d.hancu
Disabled

05.04.2022
05.04.2022
05.04.2022

AL1000D6F402

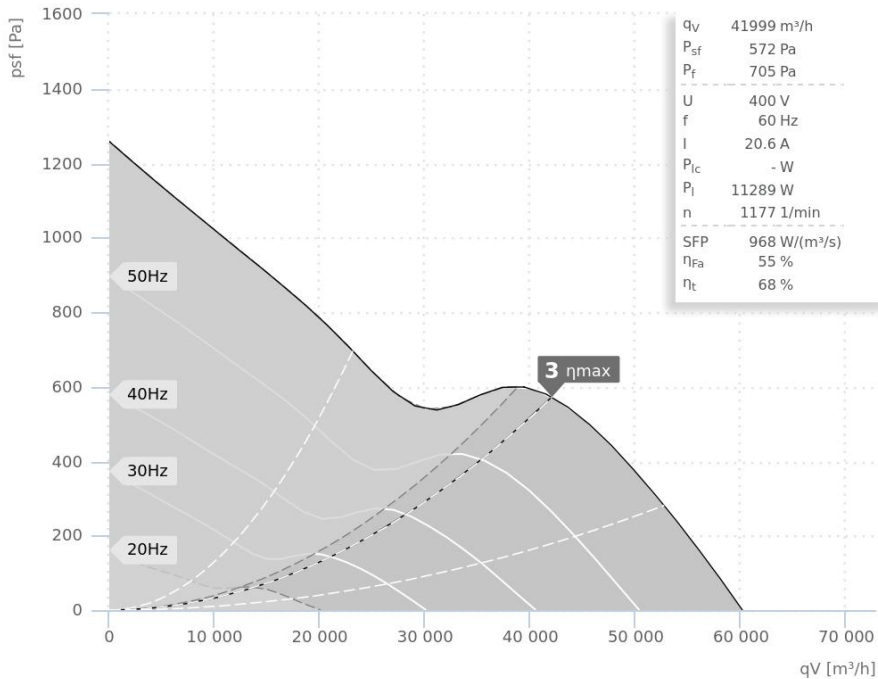
162650 00

VENTAS
VENTILATORER

DATA SHEET

ruck.eu
VENTILATOREN

AL 1000 D6 F4 03 | 162629

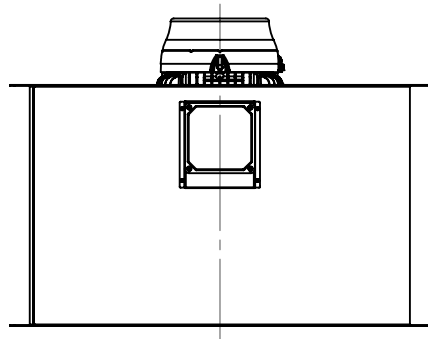
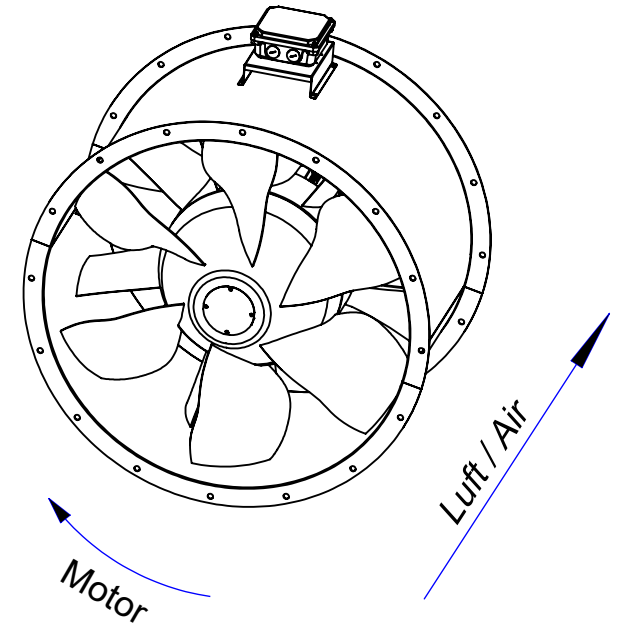
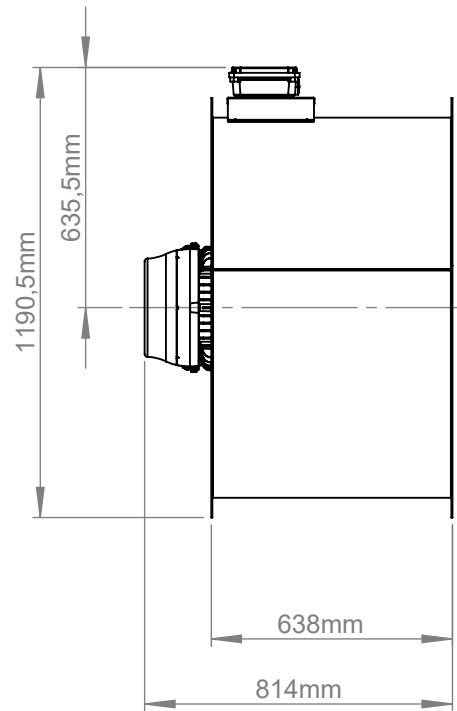
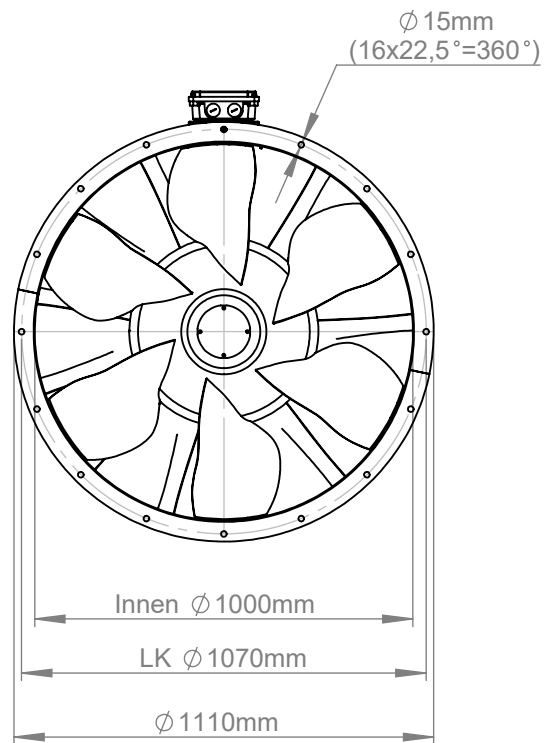


- Certified according to DIN EN 12101-3 (400 °C / 120 min.)
- If mounting feet are used, an additional RVS and TRA are mandatory
- Suitable for installation in the fire room
- Highest efficiency due to CFD-optimized 3D rotor and 3D stator blades
- Intelligently designed cone hubs
- Smoke extract motors of energy efficiency class IE3
- Exceeds the current ErP regulation by 15-20%
- Variable and stepless control by means of frequency converter
- Dual use for continuous operation up to 60 °C conveyor temperature
- Extensive, tested accessories available

Operating Point		1	2	3	4	5
Current I	A	25,4	21,8	20,8	18,4	16,1
Power consumption P _i	W	14067	11869	11427	9791	8143
Rotation speed n	1/min	1115	1182	1174	1184	1185
SWL inlet L _{WA5}	dB(A)	104	103	101	103	104
SWL outlet L _{WA6}	dB(A)	105	103	102	107	106
SWL housing break out L _{WA2}	dB(A)	85	85	85	89	91

Sound power (L _W) dB(A)		Medium Frequency Band								
		Σ	63	125	250	500	1k	2k	4k	8k
Inlet	L _{WA5}	101	80	87	94	97	96	92	88	82
Outlet	L _{WA6}	101	81	90	95	97	95	91	87	80
Housing radiation	L _{WA2}	87	81	77	77	81	79	73	66	60

AL 1000 D6 F4 03 162629	
Voltage U _N	400 V 3~
Current I _{max}	21,5 A
Ambient temperature t _A	60 °C
Conveyed medium temperature t _M	60 °C
Speed Control	f
Motor protection	-
Insulation class motor	H
Weight	265,0 kg
Number of poles	6
IP motor	IP55
IP terminal box	-
IP complete unit	-
Min. operating temperature	-20 °C



ruck^{eu}
 VENTILATOREN
 ruck Ventilatoren
 Max-Planck-Str. 5
 D-97944 Boxberg



Protection Mark
 according to ISO16016

Created d.hancu
 Drawn d.hancu
 Released d.hancu
 Disabled

1:12 A4 mm

General tolerances
 DIN ISO 2768-c

04.04.2022
 04.04.2022
 04.04.2022

AL1000D6F403

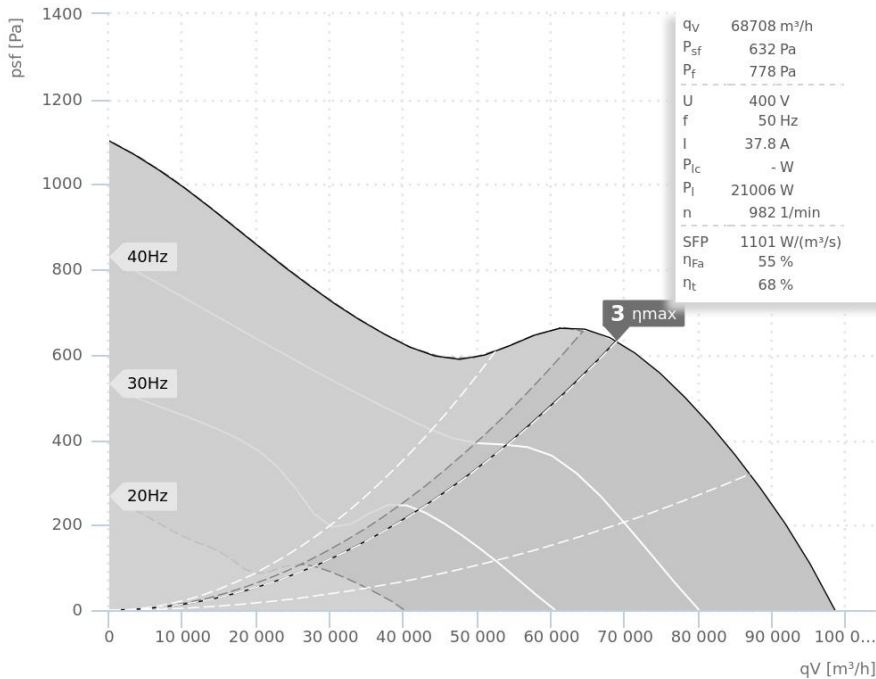
162629 00

VENTAS
 VENTILATORER

DATA SHEET

ruck.eu
VENTILATOREN

AL 1250 D6 F4 02 | 162576

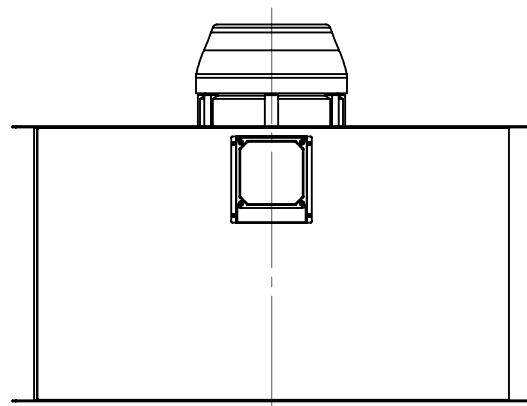
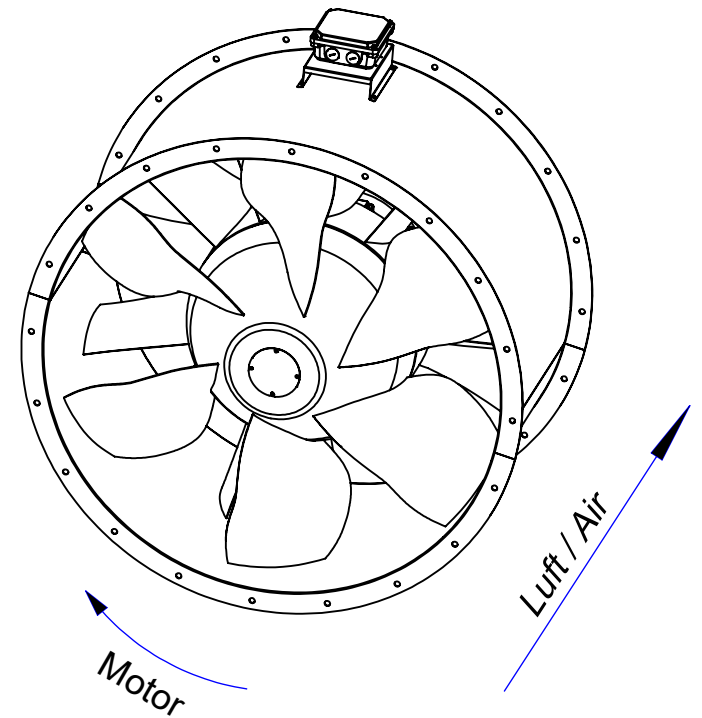
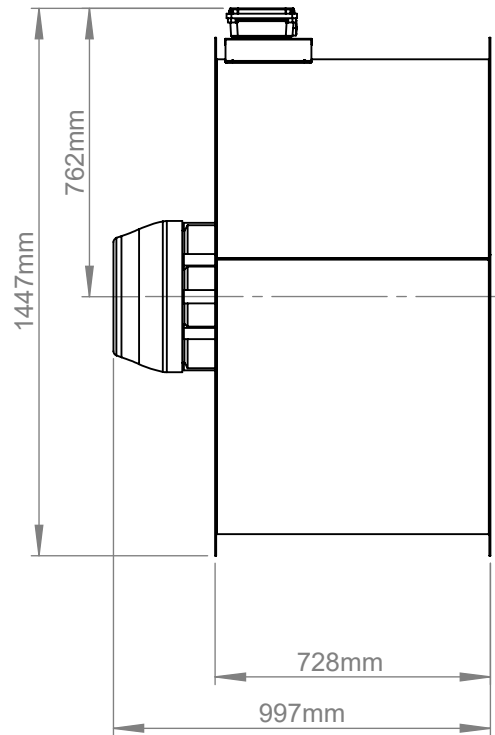
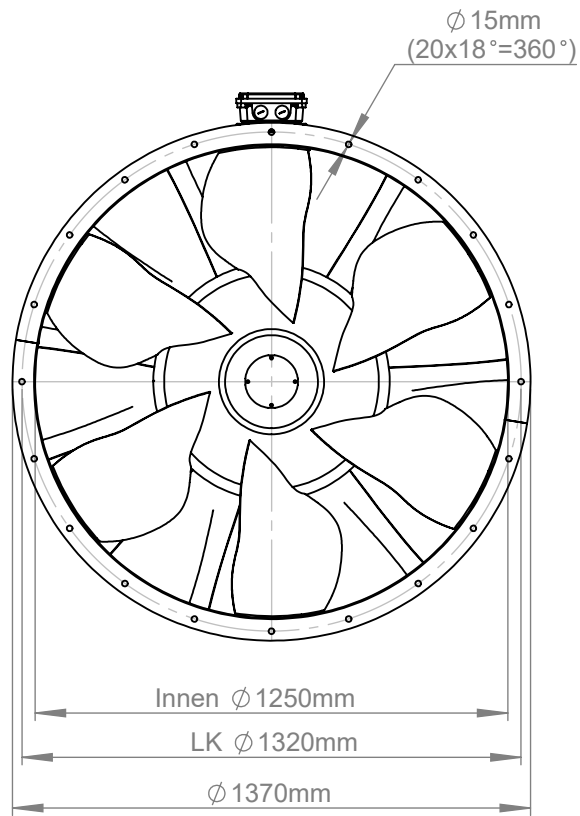


- Certified according to DIN EN 12101-3 (400 °C / 120 min.)
- If mounting feet are used, an additional RVS and TRA are mandatory
- Suitable for installation in the fire room
- Highest efficiency due to CFD-optimized 3D rotor and 3D stator blades
- Intelligently designed cone hubs
- Smoke extract motors of energy efficiency class IE3
- Exceeds the current ErP regulation by 15-20%
- Variable and stepless control by means of frequency converter
- Dual use for continuous operation up to 60 °C conveyor temperature
- Extensive, tested accessories available

Operating Point		1	2	3	4	5
Current I	A	37,4	39,2	37,7	34,7	30,9
Power consumption P_i	W	20929	21570	20857	18808	16093
Rotation speed n	1/min	974	981	985	986	987
SWL inlet L_{WA5}	dB(A)	108	110	109	110	111
SWL outlet L_{WA6}	dB(A)	108	109	109	113	113
SWL housing break out L_{WA2}	dB(A)	93	97	96	98	100

Sound power (L_W) dB(A)		Medium Frequency Band								
		Σ	63	125	250	500	1k	2k	4k	8k
Inlet	L_{WA5}	109	84	93	105	103	102	98	94	88
Outlet	L_{WA6}	108	86	95	102	103	102	97	93	86
Housing radiation	L_{WA2}	96	87	83	93	87	86	80	72	66

AL 1250 D6 F4 02 162576	
Voltage U_N	400 V 3~
Current I_{max}	40,5 A
Ambient temperature t_A	60 °C
Conveyed medium temperature t_M	60 °C
Speed Control	f
Motor protection	-
Insulation class motor	H
Weight	378,0 kg
Number of poles	6
IP motor	IP55
IP terminal box	-
IP complete unit	-
Min. operating temperature	-20 °C



ruck^{eu}
 VENTILATOREN
 ruck Ventilatoren
 Max-Planck-Str. 5
 D-97944 Boxberg



1:12 A4 mm

Protection Mark
according to ISO16016

General tolerances
DIN ISO 2768-c

AL1250D6F402

Created d.hancu
 Drawn d.hancu
 Released d.hancu
 Disabled

31.03.2022
 31.03.2022
 31.03.2022

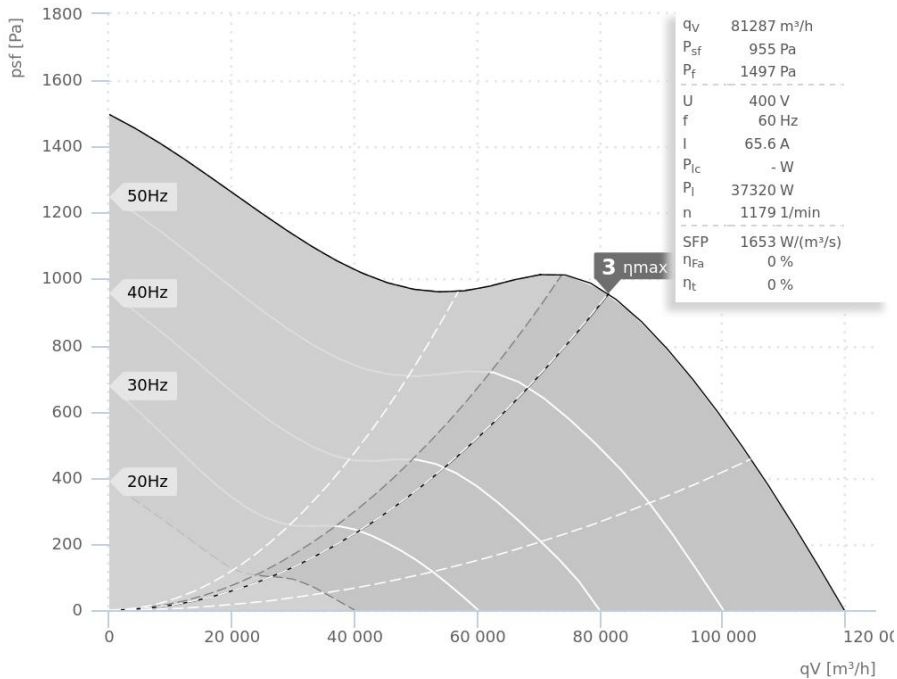
162576 00

VENTAS
 VENTILATORER

DATA SHEET

ruck.eu
VENTILATOREN

AL 1250 D6 F4 04 | 162590

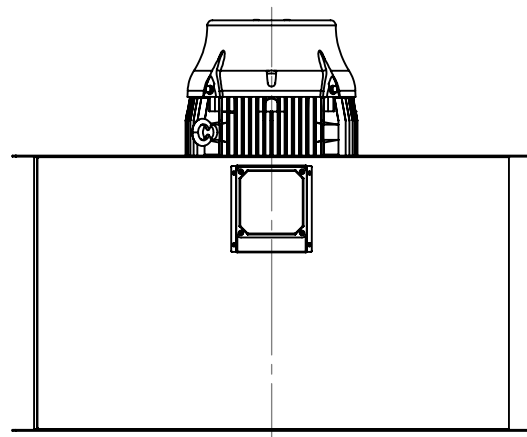
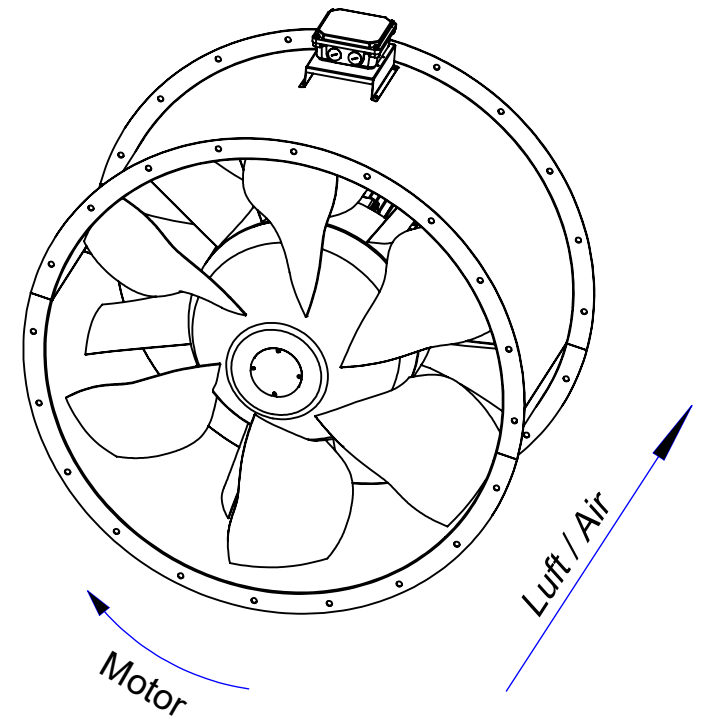
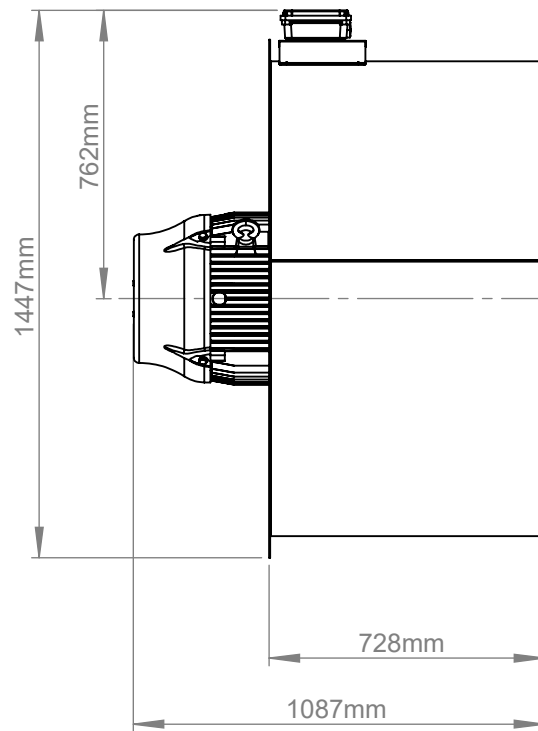
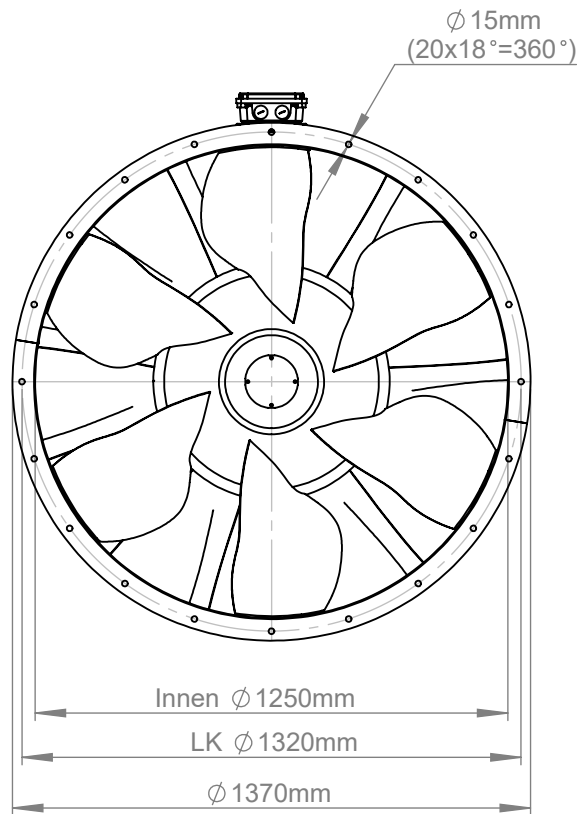


- Certified according to DIN EN 12101-3 (400 °C / 120 min.)
- If mounting feet are used, an additional RVS and TRA are mandatory
- Suitable for installation in the fire room
- Highest efficiency due to CFD-optimized 3D rotor and 3D stator blades
- Intelligently designed cone hubs
- Smoke extract motors of energy efficiency class IE3
- Exceeds the current ErP regulation by 15-20%
- Variable and stepless control by means of frequency converter
- Dual use for continuous operation up to 60 °C conveyor temperature
- Extensive, tested accessories available

Operating Point		1	2	3	4	5
Current I	A	55,1	65,4	64,8	57,6	48,6
Power consumption P _i	W	30570	37644	37048	32869	27600
Rotation speed n	1/min	1111	1179	1173	1184	1188
SWL inlet L _{WA5}	dB(A)	111	113	112	113	115
SWL outlet L _{WA6}	dB(A)	111	113	112	117	118
SWL housing break out L _{WA2}	dB(A)	93	96	96	99	102

Sound power (L _w) dB(A)		Medium Frequency Band								
		Σ	63	125	250	500	1k	2k	4k	8k
Inlet	L _{WA5}	112	82	93	101	106	108	105	101	92
Outlet	L _{WA6}	113	82	94	104	107	108	105	100	91
Housing radiation	L _{WA2}	92	80	80	83	87	87	83	74	68

AL 1250 D6 F4 04 162590	
Voltage U _N	400 V 3~
Current I _{max}	68,8 A
Ambient temperature t _A	60 °C
Conveyed medium temperature t _M	60 °C
Speed Control	f
Motor protection	-
Insulation class motor	H
Weight	550,0 kg
Number of poles	4
IP motor	IP55
IP terminal box	-
IP complete unit	-
Min. operating temperature	-20 °C




ruck^{eu}
 VENTILATOREN
 ruck Ventilatoren
 Max-Planck-Str. 5
 D-97944 Boxberg



1:12 A4 mm

Protection Mark
according to ISO16016

General tolerances
DIN ISO 2768-c

AL1250D6F404

Created d.hancu
 Drawn d.hancu
 Released d.hancu
 Disabled

01.04.2022
 01.04.2022
 01.04.2022

162590 00


VENTAS
 VENTILATORER