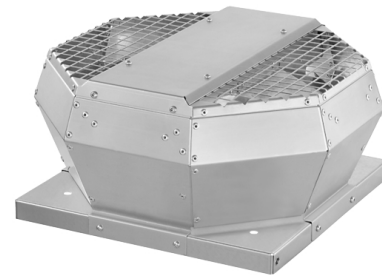
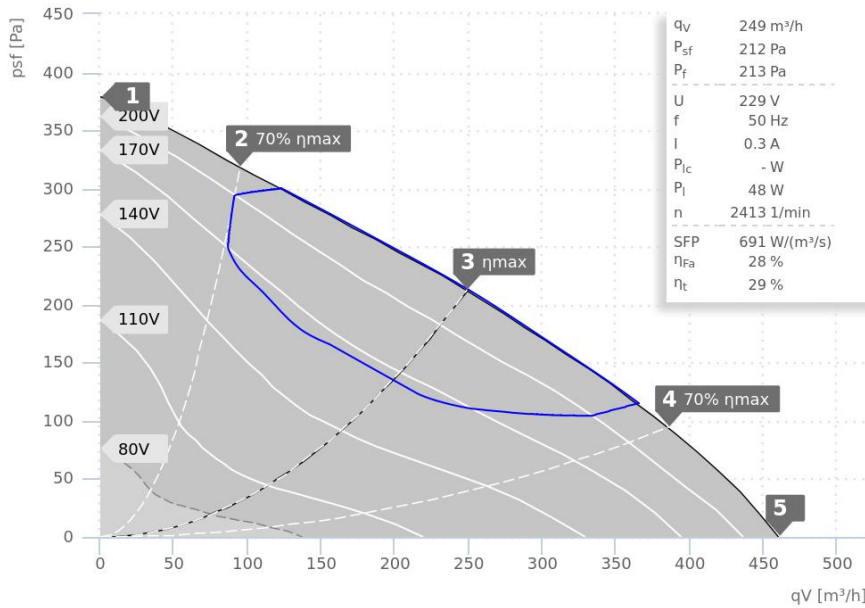


DATA SHEET

DVA 190 E2 40 | 134996



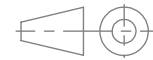
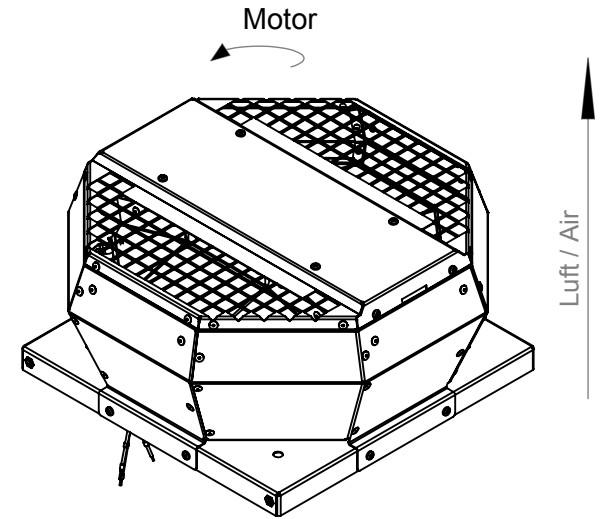
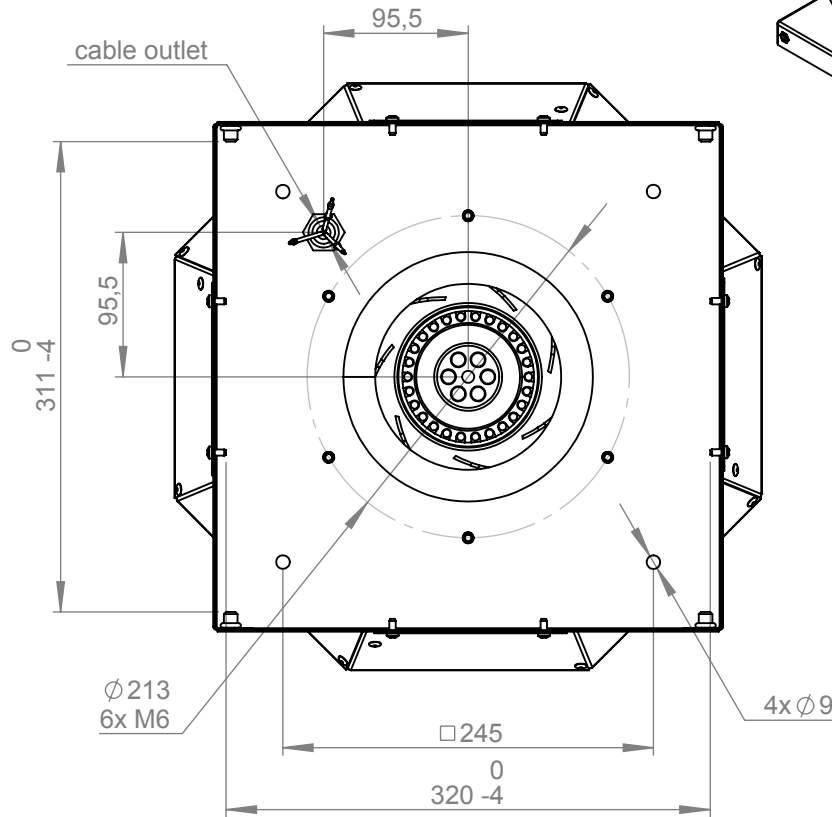
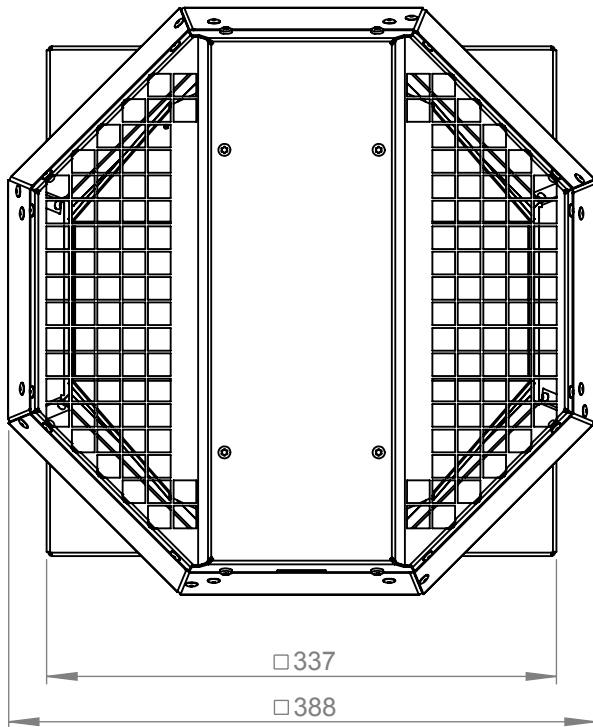
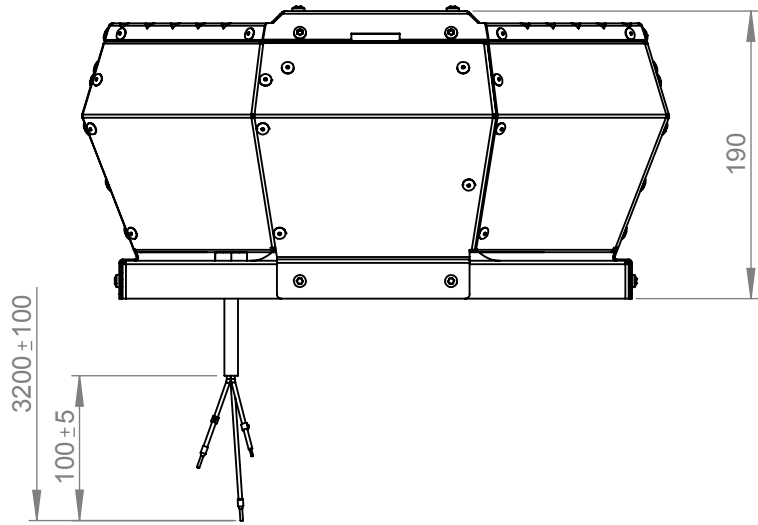
- Backward curved centrifugal fan
- Housing made of aluminium AlMg3
- Speed controllable
- Integrated thermostatic switch
- Maintenance-free ball bearings

— ErP compliant range

Operating Point		1	2	3	4	5
Current I	A	0,2	0,3	0,3	0,3	0,3
Power consumption P_1	W	34	41	48	46	44
Rotation speed n	1/min	2730	2594	2416	2491	2535
SWL inlet L_{WA5}	dB(A)	67	66	64	67	70
SWL outlet L_{WA6}	dB(A)	68	67	64	68	71
SWL housing break out L_{WA2}	dB(A)	-	-	-	-	-

Sound power (L_W) dB(A)		Medium Frequency Band								
		Σ	63	125	250	500	1k	2k	4k	8k
Inlet	L_{WA5}	64	36	43	49	56	59	58	55	45
Outlet	L_{WA6}	64	36	44	52	58	58	59	55	44
Housing radiation	L_{WA2}	-	-	-	-	-	-	-	-	-

DVA 190 E2 40 134996	
Voltage U_N	230 V 1~
Current I_{max}	0,3 A
Ambient temperature t_A	70 °C
Conveyed medium temperature t_M	70 °C
Speed Control	V
Motor protection	TMI
Insulation class motor	F
Weight	4,7 kg
Number of poles	2
IP motor	IP33
IP terminal box	IP44
IP complete unit	IPX4
Min. operating temperature	-25 °C



Protection Mark according to ISO 16016
 Created s.pop
 Drawn s.pop
 Released v.brand
 Disabled

1:5 A4 mm

General tolerances according to DIN ISO 2768-c

21.12.2015
 21.12.2015
 22.01.2020

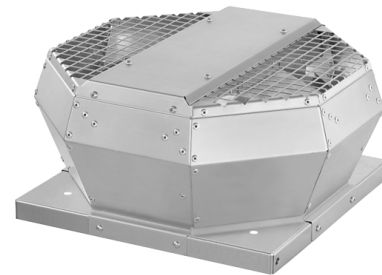
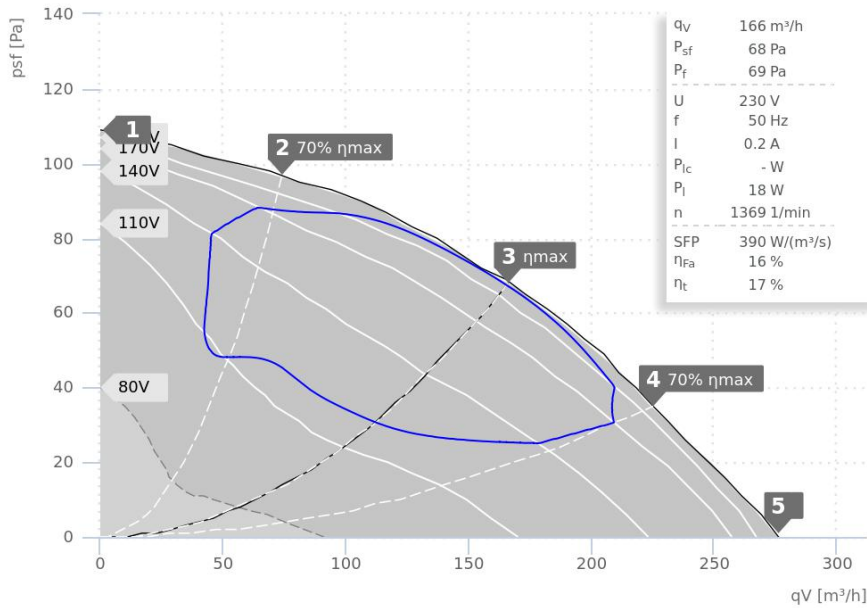
DVA190E240+

134996 00



DATA SHEET

DVA 190 E4 30 | 130537



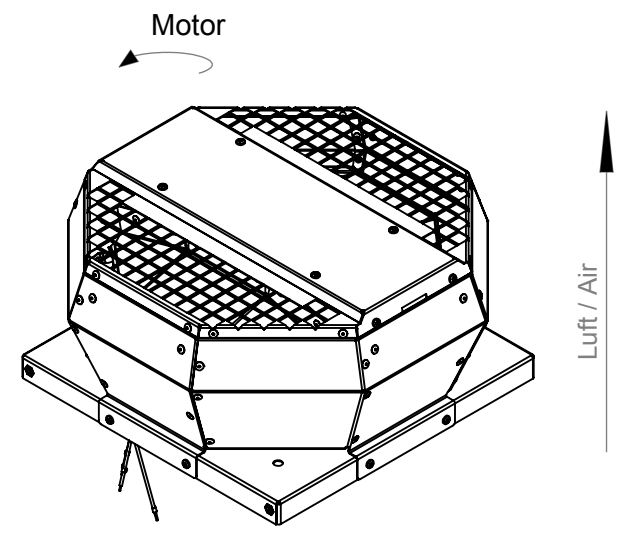
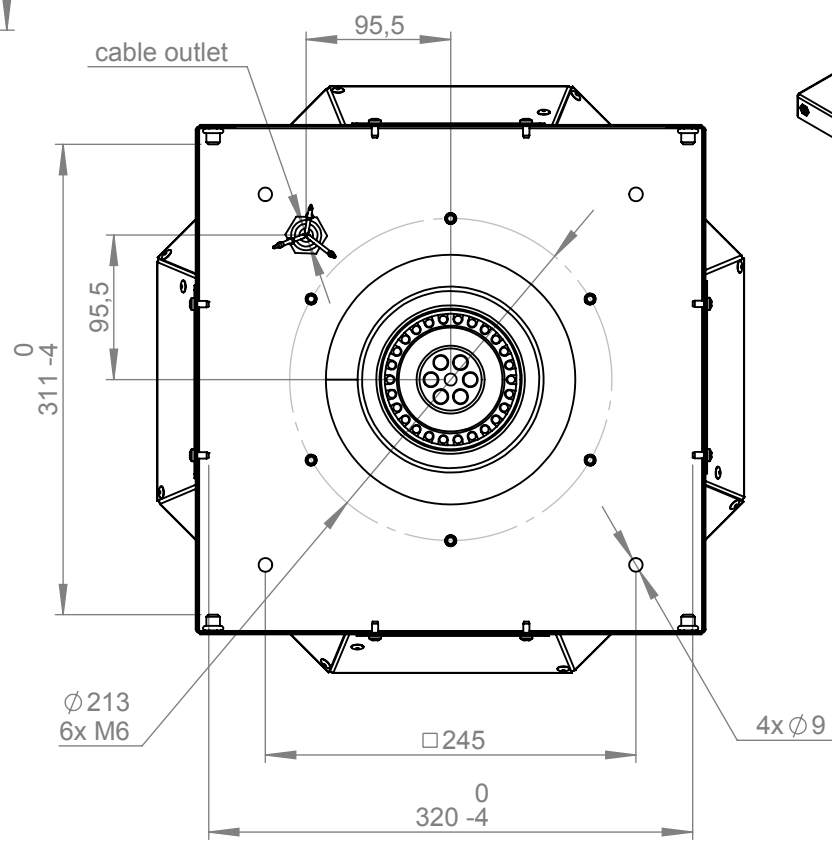
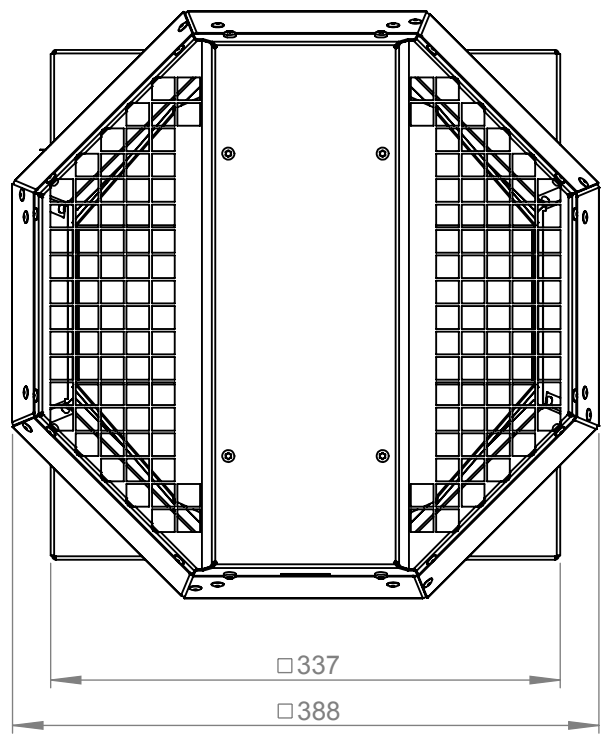
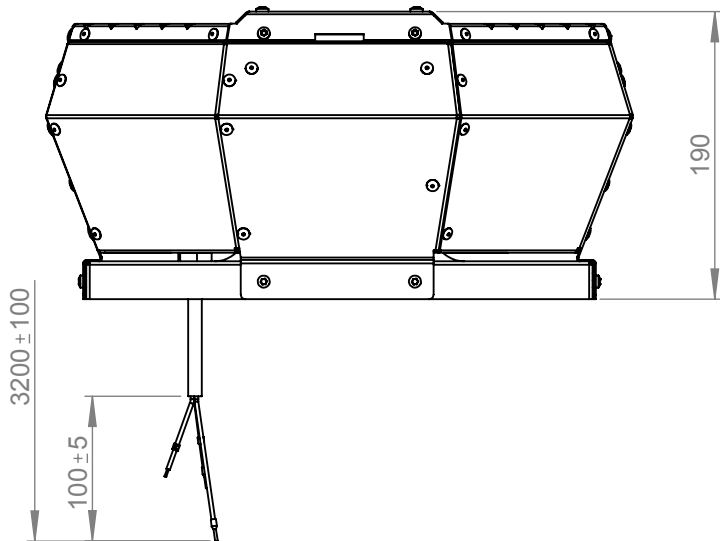
- Backward curved centrifugal fan
- Housing made of aluminium AlMg3
- Speed controllable
- Integrated thermostatic switch
- Maintenance-free ball bearings


— ErP compliant range

Operating Point		1	2	3	4	5
Current I	A	0,2	0,2	0,2	0,2	0,2
Power consumption P _i	W	16	17	18	18	17
Rotation speed n	1/min	1433	1391	1369	1375	1385
SWL inlet L _{WA5}	dB(A)	51	51	52	54	56
SWL outlet L _{WA6}	dB(A)	54	54	55	56	58
SWL housing break out L _{WA2}	dB(A)	-	-	-	-	-

Sound power (L _W) dB(A)		Medium Frequency Band								
		Σ	63	125	250	500	1k	2k	4k	8k
Inlet	L _{WA5}	52	21	32	35	44	46	49	39	22
Outlet	L _{WA6}	55	23	35	39	48	47	52	40	22
Housing radiation	L _{WA2}	-	-	-	-	-	-	-	-	-

DVA 190 E4 30 130537	
Voltage U _N	230 V 1~
Current I _{max}	0,2 A
Ambient temperature t _A	70 °C
Conveyed medium temperature t _M	70 °C
Speed Control	V
Motor protection	TAI
Insulation class motor	F
Weight	4,9 kg
Number of poles	4
IP motor	IP33
IP terminal box	IP44
IP complete unit	IPX4
Min. operating temperature	-25 °C



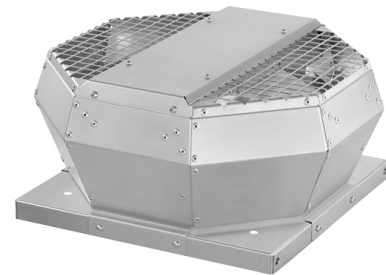
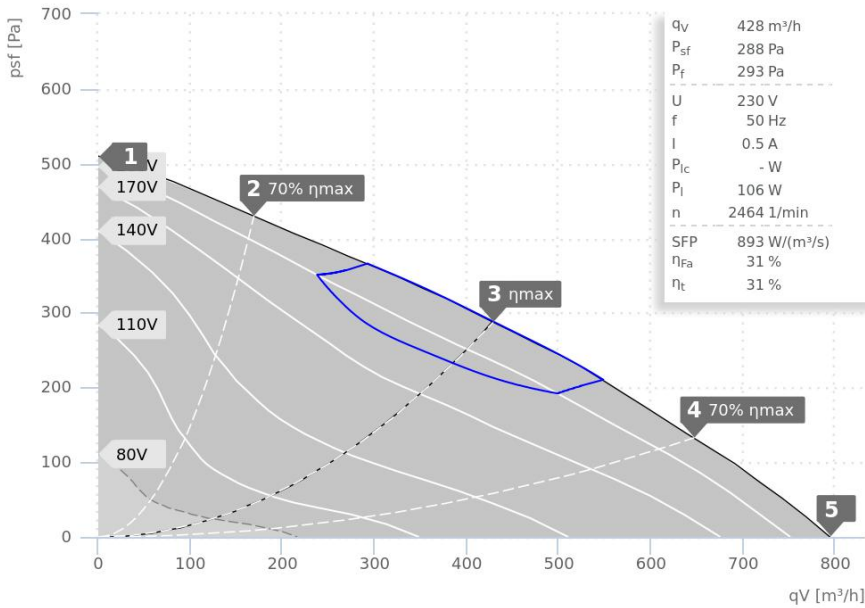

 1:5 A4 mm
 Protection Mark according to ISO16016
 General tolerances DIN ISO 2768-c
 Created d.hancu 08.07.2014
 Drawn d.hancu 08.07.2014
 Released v.brand 22.01.2020
 Disabled

DVA190E430+
130537 00



DATA SHEET

DVA 220 E2 30 | 131820



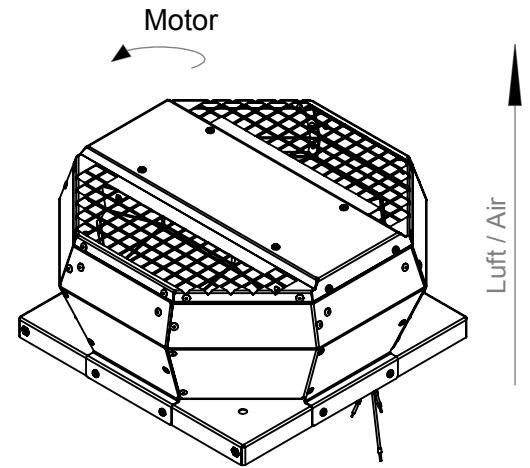
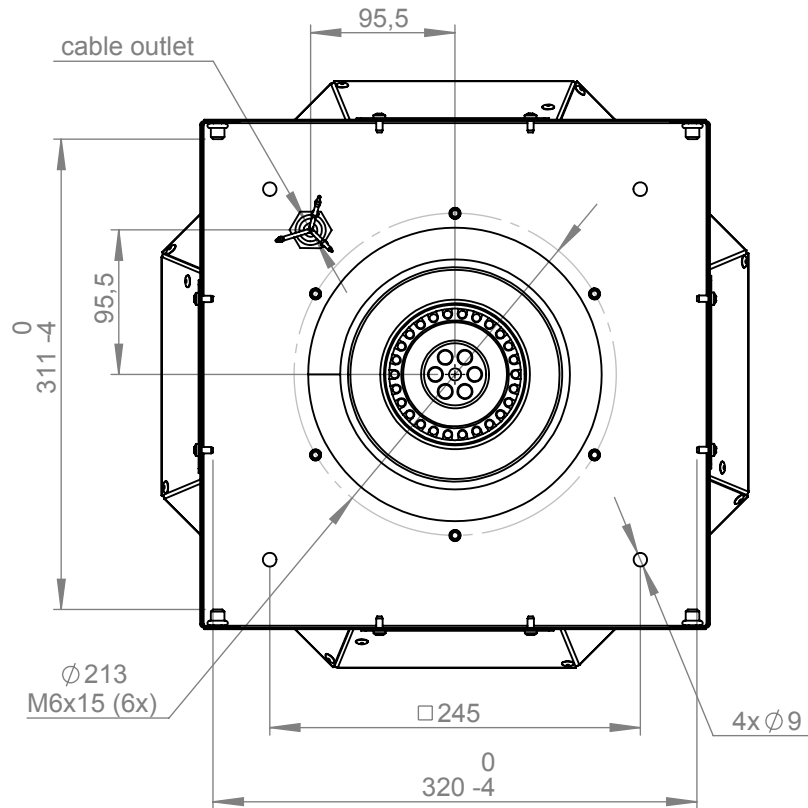
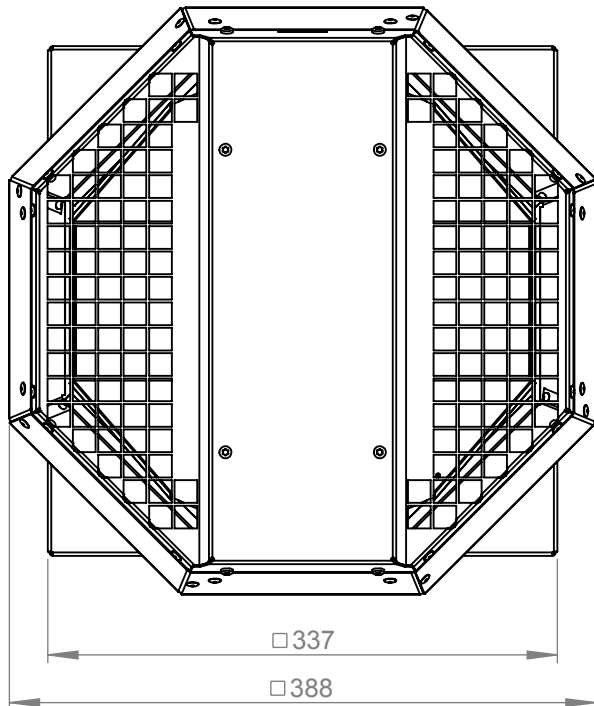
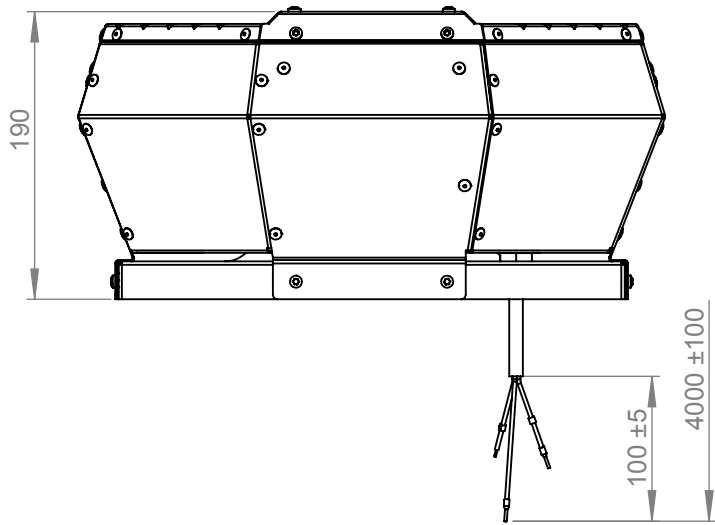
- Backward curved centrifugal fan
- Housing made of aluminium AlMg3
- Speed controllable
- Integrated thermostatic switch
- Maintenance-free ball bearings

— ErP compliant range

Operating Point		1	2	3	4	5
Current I	A	0,4	0,5	0,5	0,5	0,5
Power consumption P _i	W	76	91	106	104	100
Rotation speed n	1/min	2778	2614	2466	2493	2543
SWL inlet L _{WA5}	dB(A)	66	66	66	67	71
SWL outlet L _{WA6}	dB(A)	68	68	67	70	73
SWL housing break out L _{WA2}	dB(A)	-	-	-	-	-

Sound power (L _W) dB(A)		Medium Frequency Band								
		Σ	63	125	250	500	1k	2k	4k	8k
Inlet	L _{WA5}	66	35	46	54	61	61	58	57	53
Outlet	L _{WA6}	67	38	47	55	62	61	61	55	46
Housing radiation	L _{WA2}	-	-	-	-	-	-	-	-	-

DVA 220 E2 30 131820	
Voltage U _N	230 V 1~
Current I _{max}	0,6 A
Ambient temperature t _A	60 °C
Conveyed medium temperature t _M	60 °C
Speed Control	V
Motor protection	TAI
Insulation class motor	F
Weight	5,3 kg
Number of poles	2
IP motor	IP33
IP terminal box	IP44
IP complete unit	IPX4
Min. operating temperature	-25 °C



ruck^{eu}
VENTILATOREN
ruck Ventilatoren
Max-Planck-Str. 5
D-97944 Boxberg



Protection Mark
according to ISO 16016
Created I.benk
Drawn I.benk
Released v.brand
Disabled

1:5 A4 mm

General tolerances
DIN ISO 2768-c

16.12.2014
16.12.2014
24.01.2020

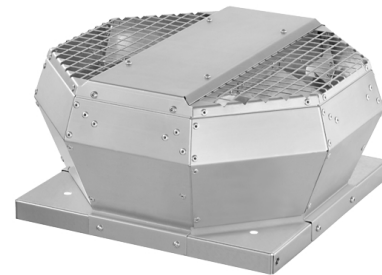
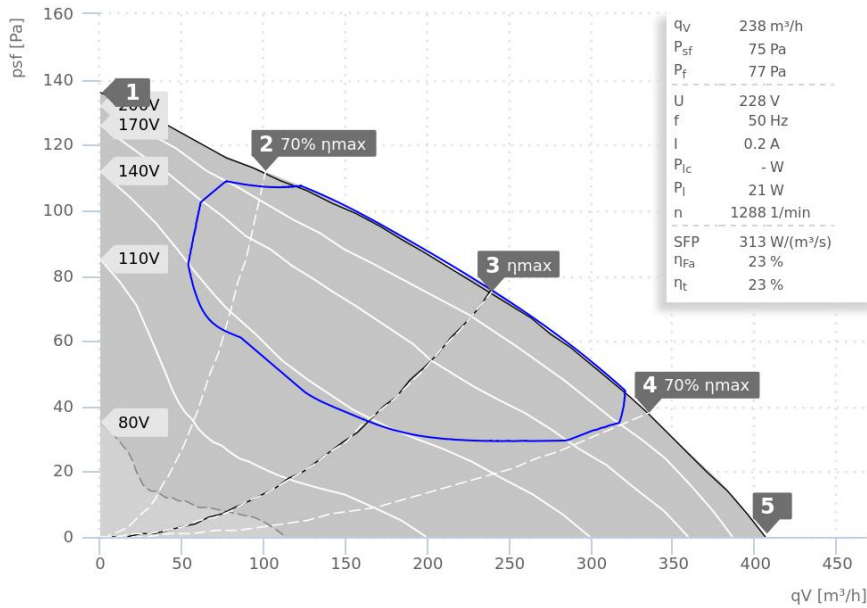
DVA220E230+

131820 00

VENTAS
VENTILATORER

DATA SHEET

DVA 220 E4 30 | 131783



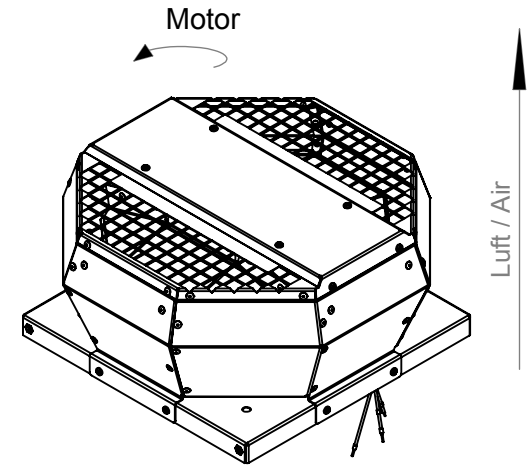
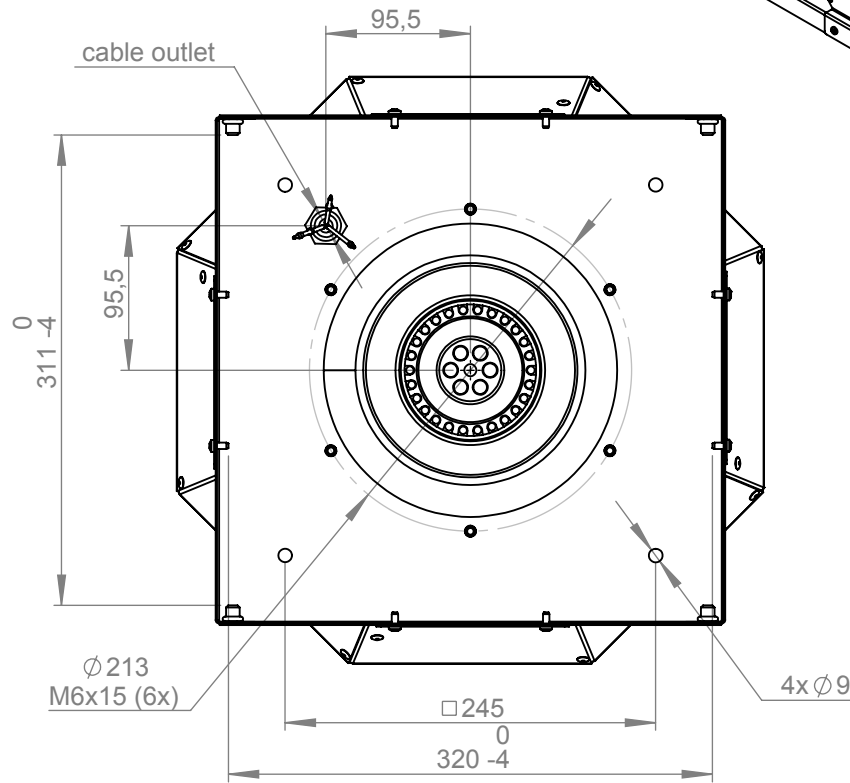
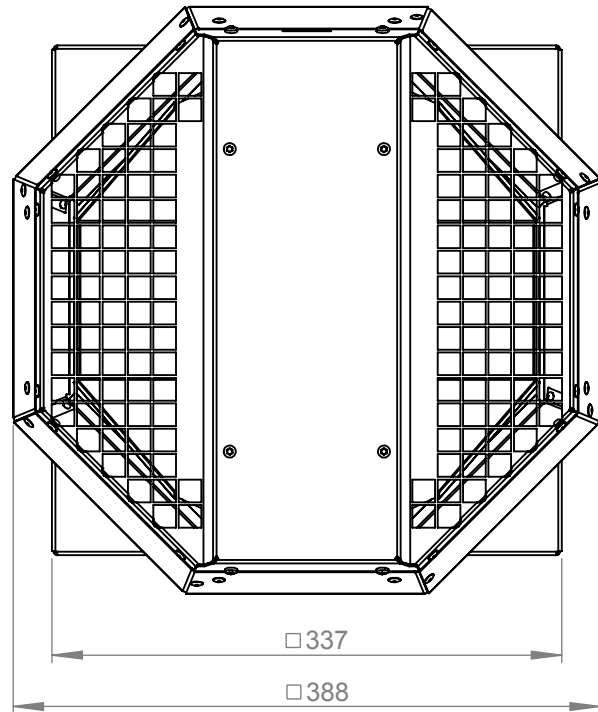
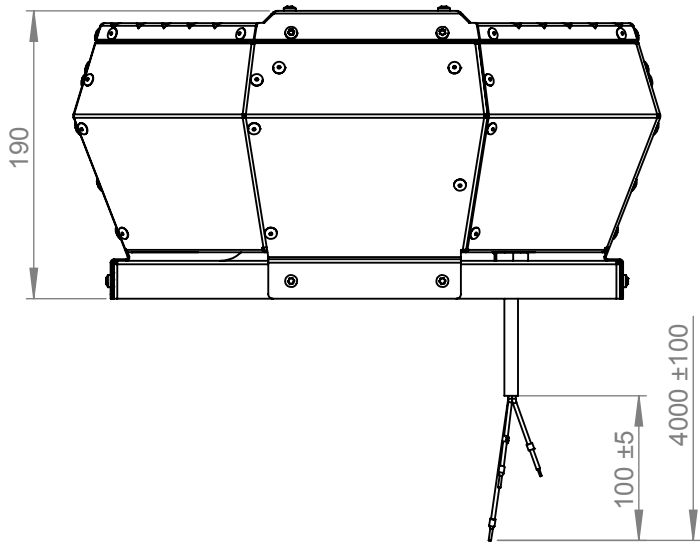
- Backward curved centrifugal fan
- Housing made of aluminium AlMg3
- Speed controllable
- Integrated thermostatic switch
- Maintenance-free ball bearings

— ErP compliant range

Operating Point		1	2	3	4	5
Current I	A	0,2	0,2	0,2	0,2	0,2
Power consumption P_1	W	17	19	21	20	20
Rotation speed n	1/min	1411	1342	1290	1310	1329
SWL inlet L_{WA5}	dB(A)	55	54	50	52	57
SWL outlet L_{WA6}	dB(A)	56	55	51	54	59
SWL housing break out L_{WA2}	dB(A)	-	-	-	-	-

Sound power (L_W) dB(A)		Medium Frequency Band								
		Σ	63	125	250	500	1k	2k	4k	8k
Inlet	L_{WA5}	50	26	36	40	46	46	40	31	18
Outlet	L_{WA6}	51	31	36	41	47	46	44	31	18
Housing radiation	L_{WA2}	-	-	-	-	-	-	-	-	-

DVA 220 E4 30 131783	
Voltage U_N	230 V 1~
Current I_{max}	0,2 A
Ambient temperature t_A	80 °C
Conveyed medium temperature t_M	80 °C
Speed Control	V
Motor protection	TAI
Insulation class motor	F
Weight	5,0 kg
Number of poles	4
IP motor	IP33
IP terminal box	IP44
IP complete unit	IPX4
Min. operating temperature	-25 °C



Protection Mark
according to ISO16016

Created I.benk
Drawn I.benk
Released v.brand
Disabled

1:5 A4 mm

General tolerances
DIN ISO 2768-c

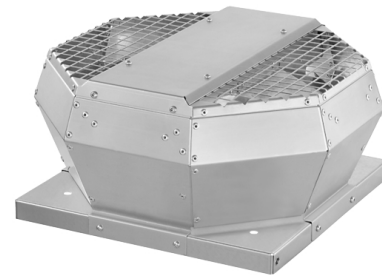
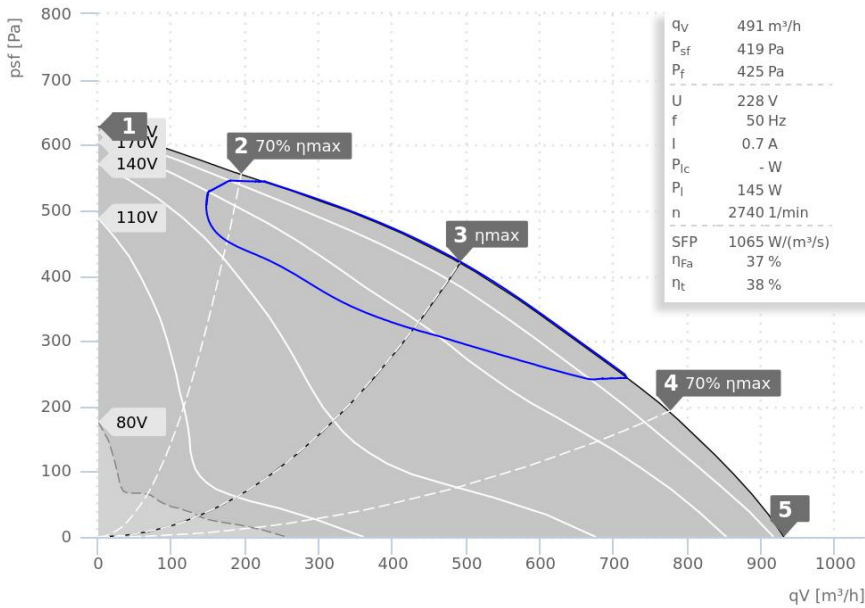
DVA220E430+

131783 00



DATA SHEET

DVA 225 E2 30 | 137244



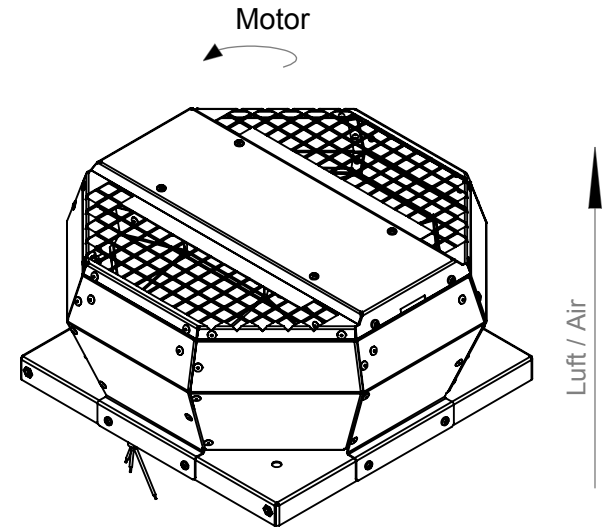
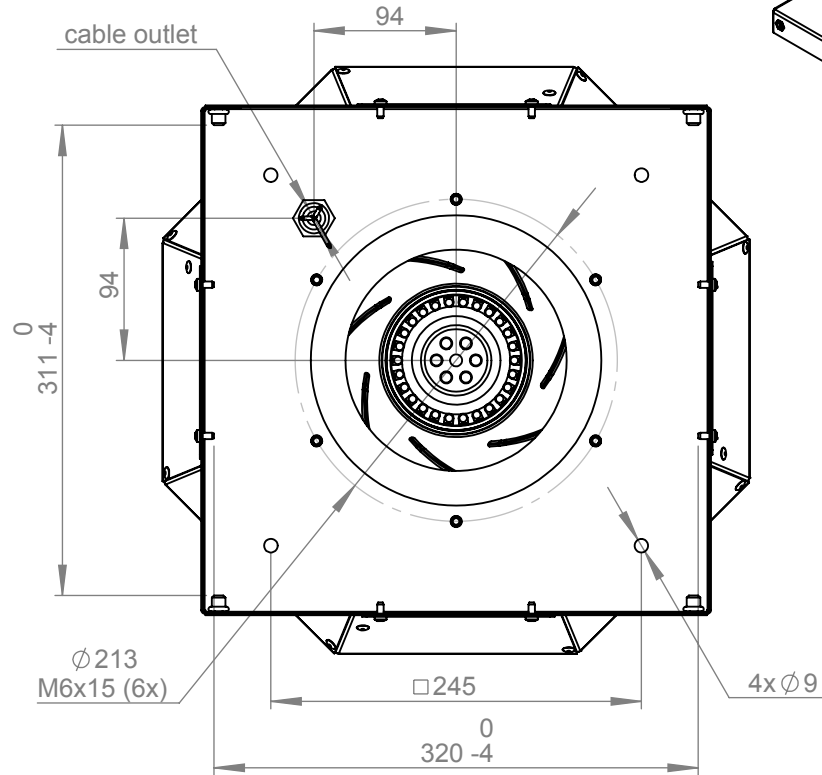
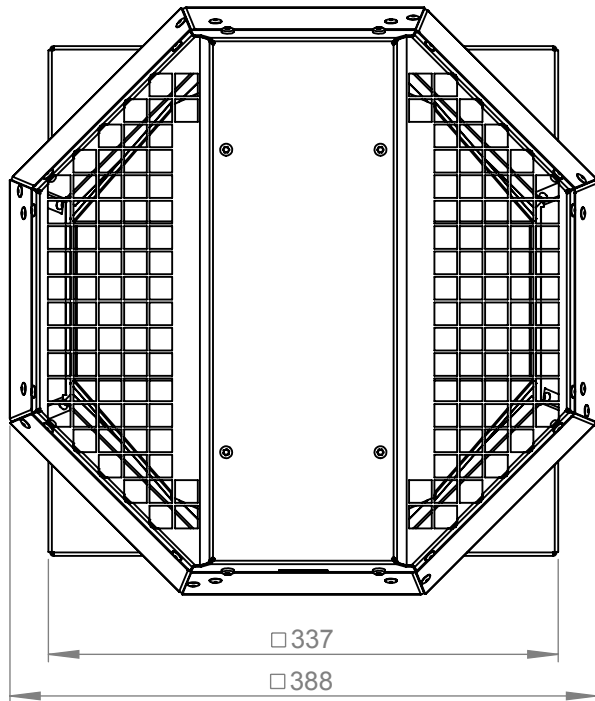
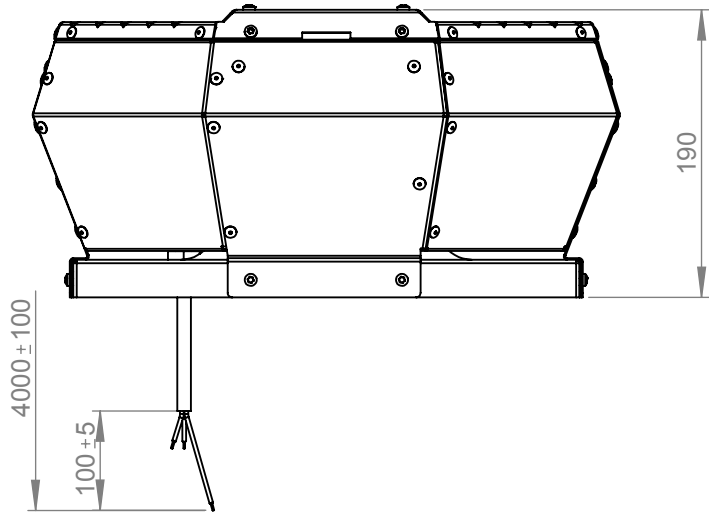
- Backward curved centrifugal fan
- Housing made of aluminium AlMg3
- Speed controllable
- Integrated thermostatic switch
- Maintenance-free ball bearings

— ErP compliant range

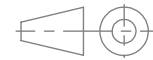
Operating Point		1	2	3	4	5
Current I	A	0,4	0,5	0,7	0,7	0,6
Power consumption P_i	W	84	111	146	150	138
Rotation speed n	1/min	2910	2840	2746	2739	2775
SWL inlet L_{WA5}	dB(A)	72	71	70	72	75
SWL outlet L_{WA6}	dB(A)	74	74	73	75	78
SWL housing break out L_{WA2}	dB(A)	-	-	-	-	-

Sound power (L_W) dB(A)		Medium Frequency Band								
		Σ	63	125	250	500	1k	2k	4k	8k
Inlet	L_{WA5}	69	46	56	59	63	65	61	60	53
Outlet	L_{WA6}	73	47	57	64	67	67	66	61	53
Housing radiation	L_{WA2}	-	-	-	-	-	-	-	-	-

DVA 225 E2 30 137244	
Voltage U_N	230 V 1~
Current I_{max}	0,9 A
Ambient temperature t_A	60 °C
Conveyed medium temperature t_M	60 °C
Speed Control	V
Motor protection	TMI
Insulation class motor	F
Weight	5,7 kg
Number of poles	2
IP motor	IP33
IP terminal box	-
IP complete unit	IPX4
Min. operating temperature	-25 °C



ruck^{eu}
VENTILATOREN
ruck Ventilatoren
Max-Planck-Str. 5
D-97944 Boxberg



Protection Mark
according to ISO 16016
Created I.benk
Drawn I.benk
Released v.brand
Disabled

1:5 A4 mm

General tolerances
DIN ISO 2768-c

30.06.2016
30.06.2016
23.01.2020

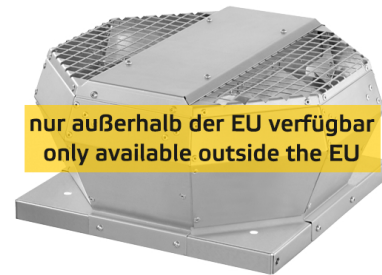
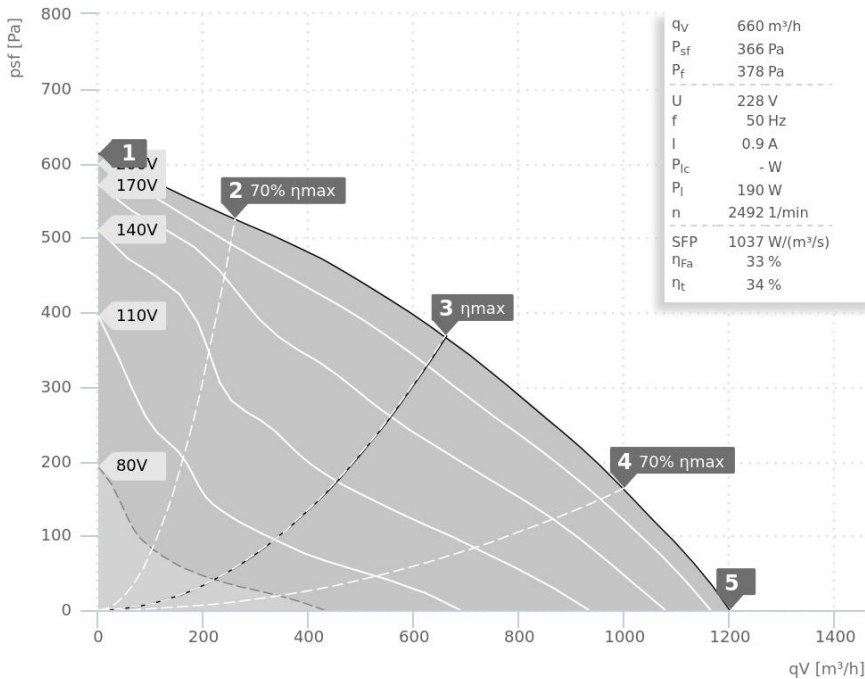
DVA225E230+

137244 00

VENTAS
VENTILATOREN

DATA SHEET

DVA 250 E2 13 | 136726



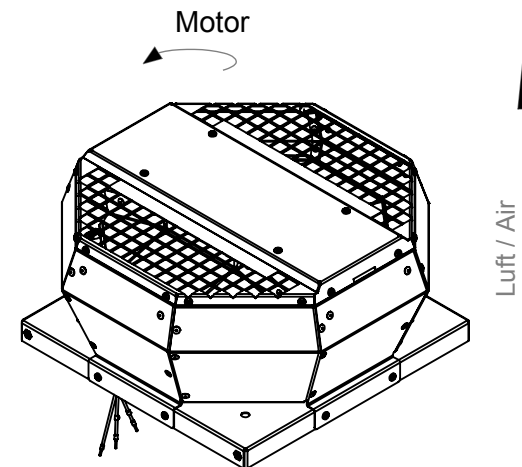
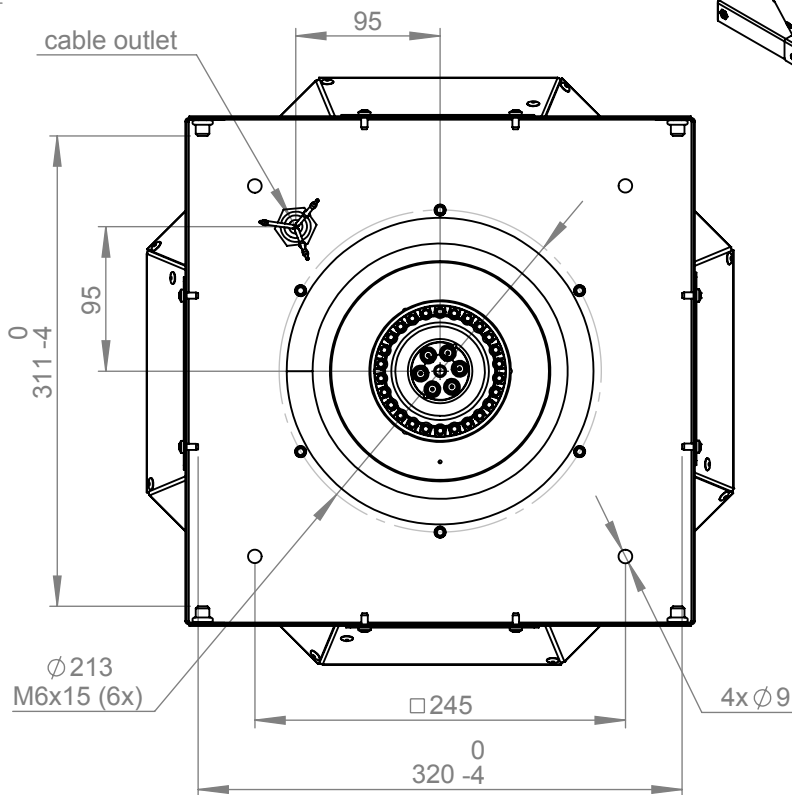
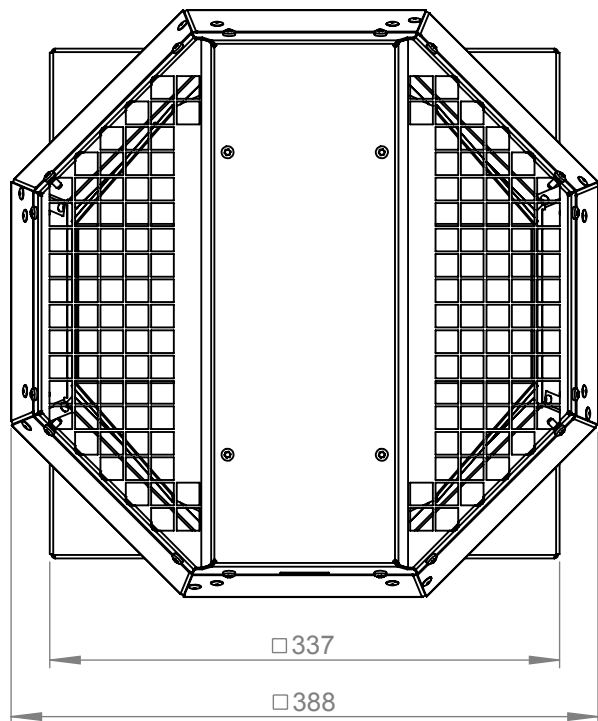
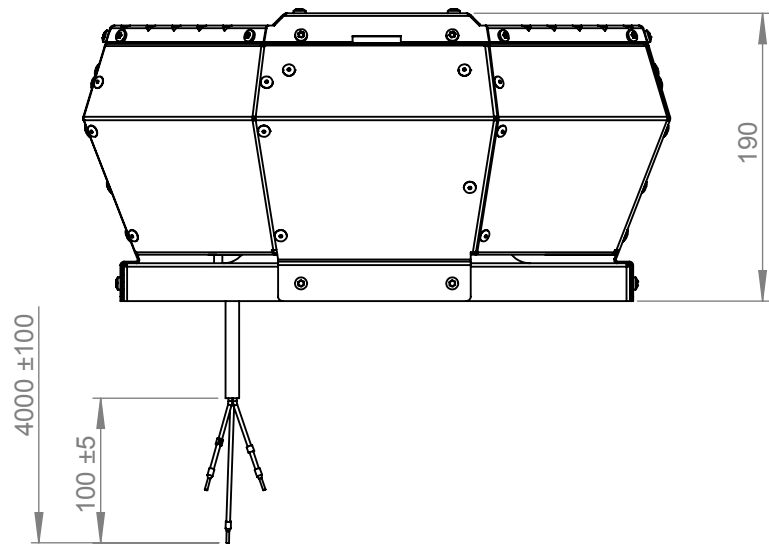
nur außerhalb der EU verfügbar
only available outside the EU

- Backward curved centrifugal fan
- Housing made of aluminium AlMg3
- Speed controllable
- Integrated thermostatic switch
- Maintenance-free ball bearings

Operating Point		1	2	3	4	5
Current I	A	0,7	0,7	0,9	0,8	0,8
Power consumption P _i	W	127	157	191	183	163
Rotation speed n	1/min	2792	2644	2499	2546	2631
SWL inlet L _{WA5}	dB(A)	77	74	71	75	77
SWL outlet L _{WA6}	dB(A)	78	76	73	76	79
SWL housing break out L _{WA2}	dB(A)	-	-	-	-	-

Sound power (L _W) dB(A)		Medium Frequency Band								
		Σ	63	125	250	500	1k	2k	4k	8k
Inlet	L _{WA5}	71	37	48	57	64	66	63	66	59
Outlet	L _{WA6}	73	37	49	64	66	67	68	66	58
Housing radiation	L _{WA2}	-	-	-	-	-	-	-	-	-

DVA 250 E2 13 136726	
Voltage U _N	230 V 1~
Current I _{max}	0,9 A
Ambient temperature t _A	45 °C
Conveyed medium temperature t _M	45 °C
Speed Control	V
Motor protection	TAI
Insulation class motor	F
Weight	6,2 kg
Number of poles	2
IP motor	IP33
IP terminal box	-
IP complete unit	IPX4
Min. operating temperature	-25 °C



Protection Mark according to ISO16016

Created s.pop
Drawn s.pop
Released v.brand
Disabled

1:5 A4 mm

General tolerances according to DIN ISO 2768-c

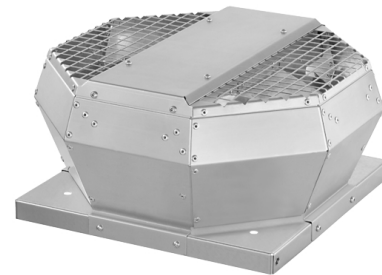
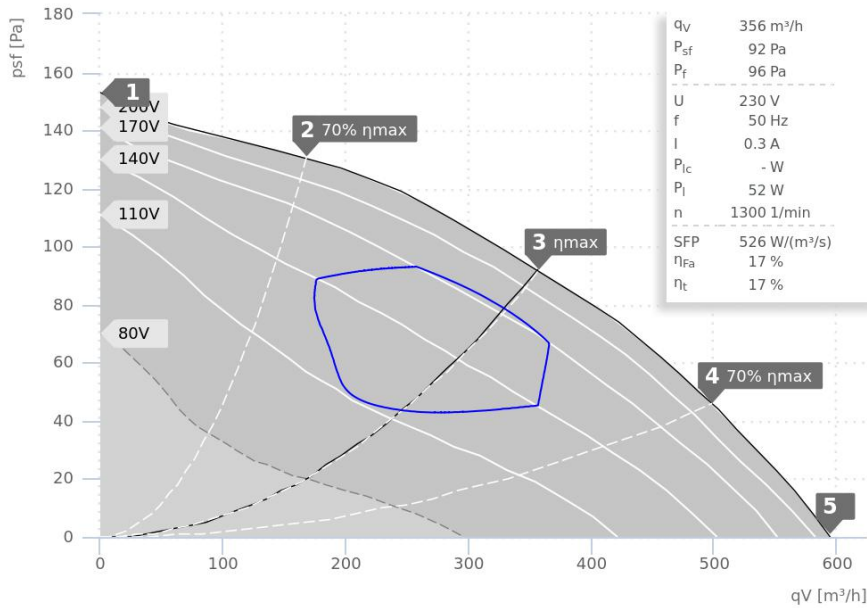
DVA250E213

136726 00



DATA SHEET

DVA 250 E4 30 | 130440



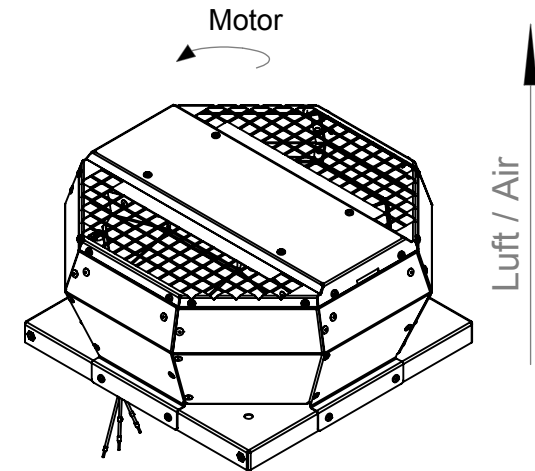
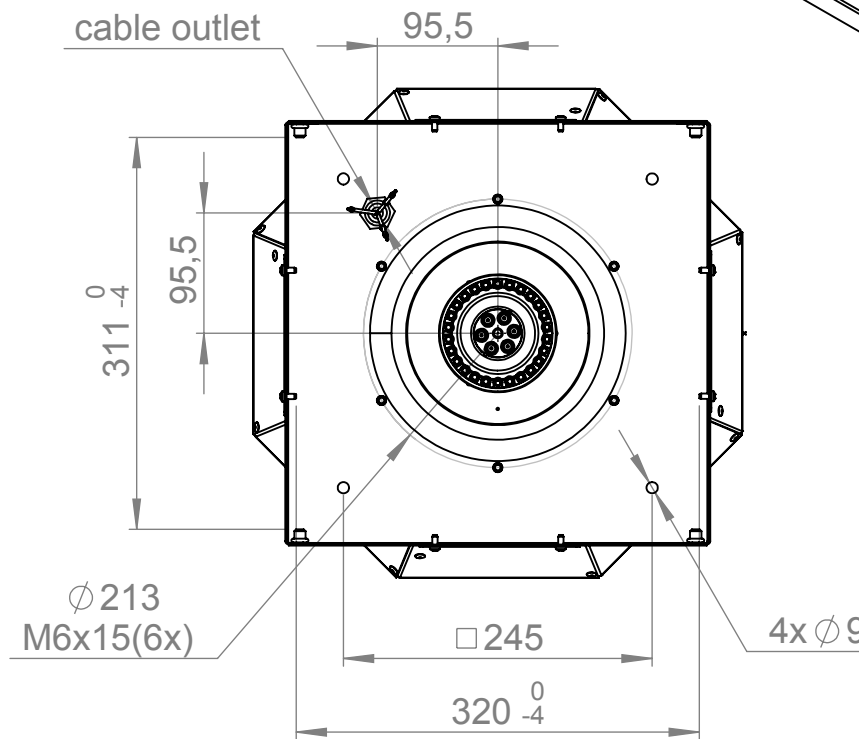
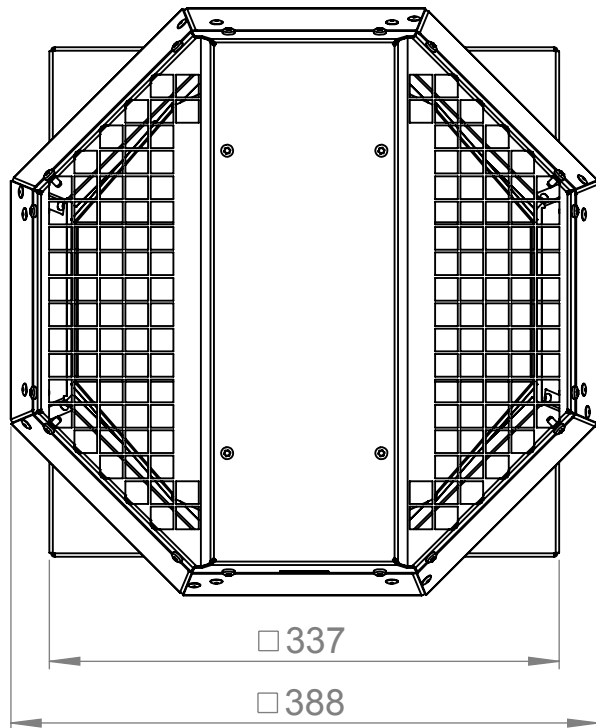
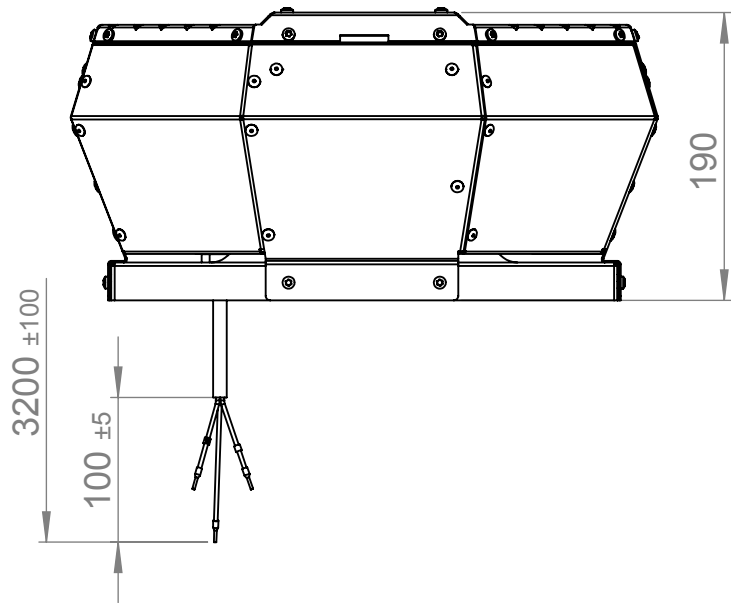
- Backward curved centrifugal fan
- Housing made of aluminium AlMg3
- Speed controllable
- Integrated thermostatic switch
- Maintenance-free ball bearings

— ErP compliant range

Operating Point		1	2	3	4	5
Current I	A	0,3	0,3	0,3	0,3	0,3
Power consumption P _i	W	46	50	52	51	49
Rotation speed n	1/min	1397	1336	1300	1316	1339
SWL inlet L _{WA5}	dB(A)	60	60	61	63	65
SWL outlet L _{WA6}	dB(A)	61	61	62	64	66
SWL housing break out L _{WA2}	dB(A)	-	-	-	-	-

Sound power (L _W) dB(A)		Medium Frequency Band								
		Σ	63	125	250	500	1k	2k	4k	8k
Inlet	L _{WA5}	61	25	38	45	51	55	58	48	35
Outlet	L _{WA6}	62	26	43	47	53	55	60	47	35
Housing radiation	L _{WA2}	-	-	-	-	-	-	-	-	-

DVA 250 E4 30 130440	
Voltage U _N	230 V 1~
Current I _{max}	0,3 A
Ambient temperature t _A	70 °C
Conveyed medium temperature t _M	70 °C
Speed Control	V
Motor protection	TAI
Insulation class motor	F
Weight	5,6 kg
Number of poles	4
IP motor	IP33
IP terminal box	-
IP complete unit	IPX4
Min. operating temperature	-25 °C



Protection Mark according to ISO16016
 Created d.hancu
 Drawn d.hancu
 Released v.brand
 Disabled

1:5 A4 mm

General tolerances according to DIN ISO 2768-c

26.06.2014
 26.06.2014
 22.01.2020

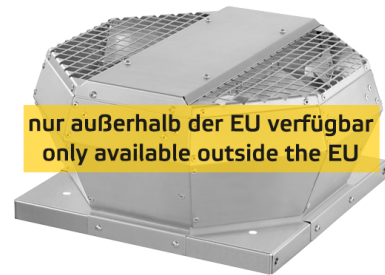
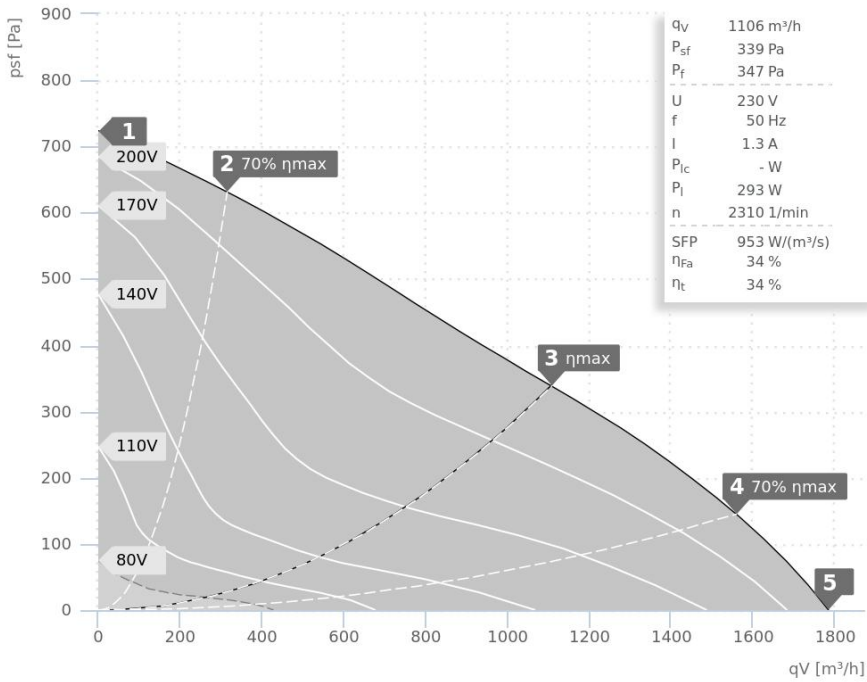
DVA250E430+

130440 00



DATA SHEET

DVA 280 E2 11 | 136731



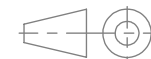
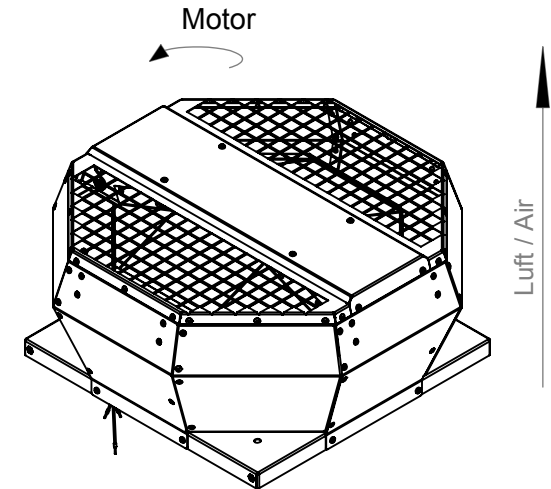
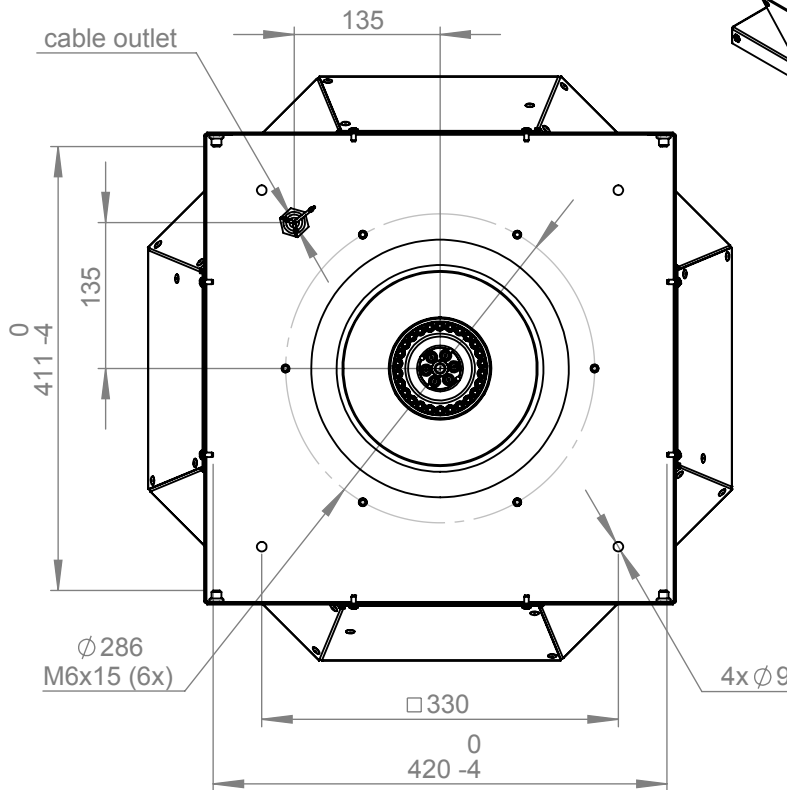
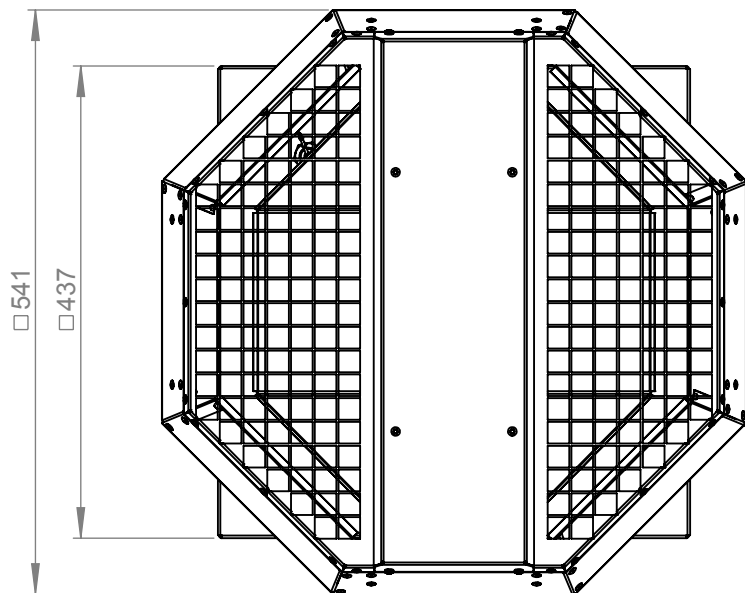
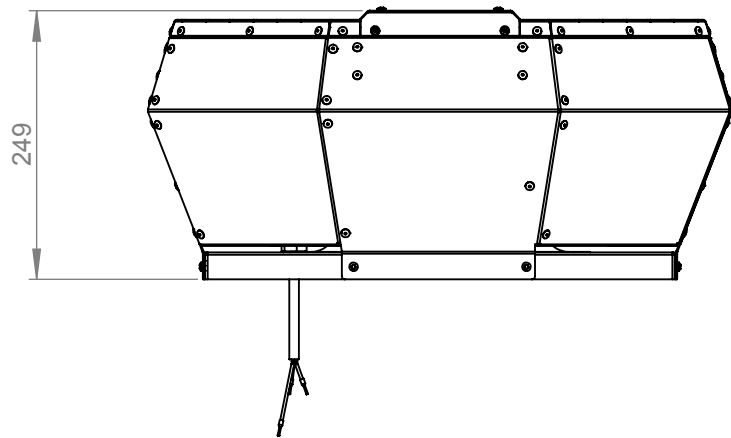
nur außerhalb der EU verfügbar
only available outside the EU

- Backward curved centrifugal fan
- Housing made of aluminium AlMg3
- Speed controllable
- Integrated thermostatic switch
- Maintenance-free ball bearings

Operating Point		1	2	3	4	5
Current I	A	0,8	1,0	1,3	1,1	1,0
Power consumption P _i	W	171	225	293	251	220
Rotation speed n	1/min	2743	2546	2312	2499	2604
SWL inlet L _{WA5}	dB(A)	79	80	71	75	78
SWL outlet L _{WA6}	dB(A)	79	80	73	76	79
SWL housing break out L _{WA2}	dB(A)	-	-	-	-	-

Sound power (L _W) dB(A)		Medium Frequency Band								
		Σ	63	125	250	500	1k	2k	4k	8k
Inlet	L _{WA5}	71	32	45	60	65	65	63	64	61
Outlet	L _{WA6}	73	34	50	65	65	66	66	64	61
Housing radiation	L _{WA2}	-	-	-	-	-	-	-	-	-

DVA 280 E2 11 136731	
Voltage U _N	230 V 1~
Current I _{max}	1,4 A
Ambient temperature t _A	40 °C
Conveyed medium temperature t _M	40 °C
Speed Control	V
Motor protection	TAI
Insulation class motor	F
Weight	16,3 kg
Number of poles	2
IP motor	IP33
IP terminal box	IP44
IP complete unit	IPX4
Min. operating temperature	-25 °C



1:7 A4 mm

Protection Mark
according to ISO16016

General tolerances
DIN ISO 2768-c

Created s.pop
Drawn s.pop
Released v.brand
Disabled

13.04.2016
13.04.2016
24.01.2020

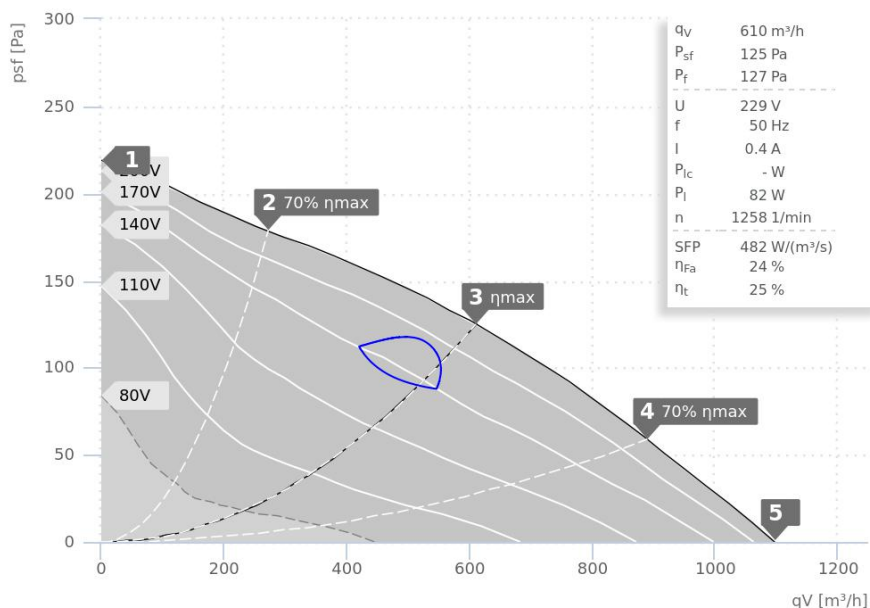
DVA280E211

136731 00



DATA SHEET

DVA 280 E4 30 | 130099



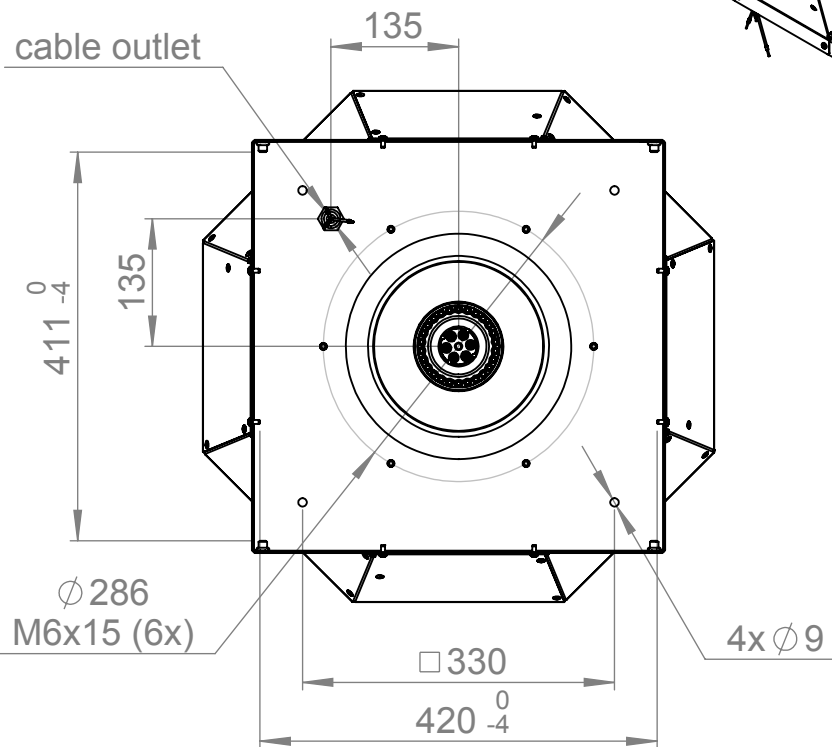
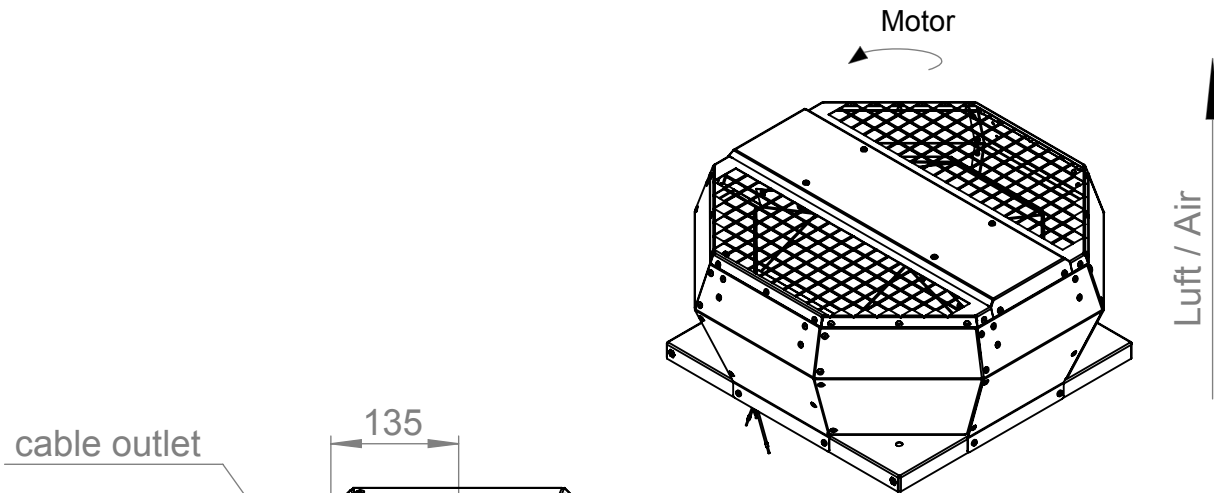
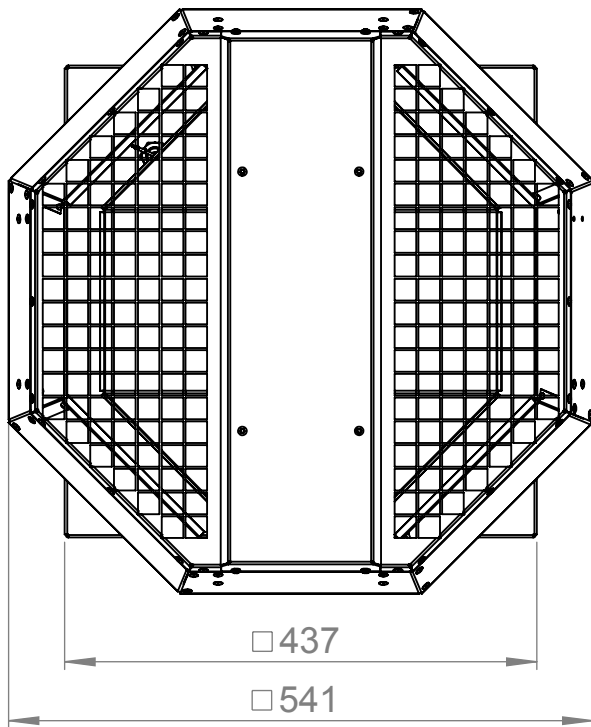
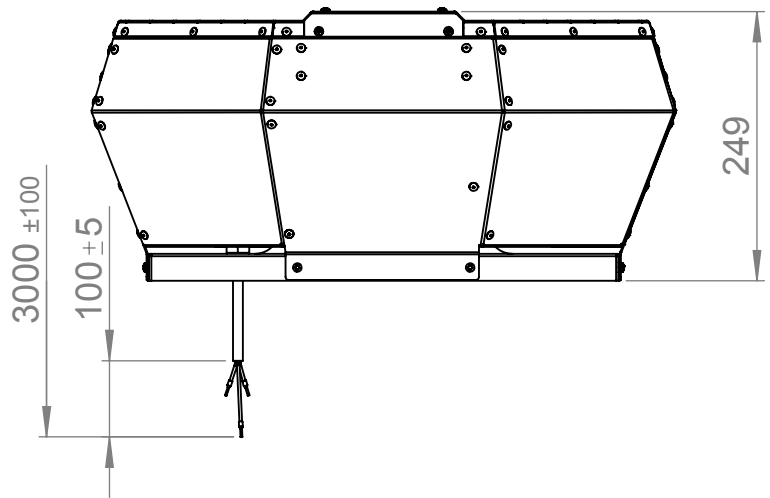
- Backward curved centrifugal fan
- Housing made of aluminium AlMg3
- Speed controllable
- Integrated thermostatic switch
- Maintenance-free ball bearings

— ErP compliant range

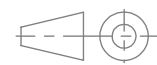
Operating Point		1	2	3	4	5
Current I	A	0,3	0,4	0,4	0,4	0,4
Power consumption P _I	W	67	76	82	80	75
Rotation speed n	1/min	1403	1319	1259	1285	1320
SWL inlet L _{WA5}	dB(A)	60	60	57	60	64
SWL outlet L _{WA6}	dB(A)	64	63	61	65	67
SWL housing break out L _{WA2}	dB(A)	-	-	-	-	-

Sound power (L _W) dB(A)		Medium Frequency Band								
		Σ	63	125	250	500	1k	2k	4k	8k
Inlet	L _{WA5}	57	33	43	48	52	50	49	48	37
Outlet	L _{WA6}	61	34	44	51	57	55	53	48	38
Housing radiation	L _{WA2}	-	-	-	-	-	-	-	-	-

DVA 280 E4 30 130099	
Voltage U _N	230 V 1~
Current I _{max}	0,4 A
Ambient temperature t _A	70 °C
Conveyed medium temperature t _M	70 °C
Speed Control	V
Motor protection	TAI
Insulation class motor	F
Weight	8,3 kg
Number of poles	4
IP motor	IP33
IP terminal box	IP44
IP complete unit	IPX4
Min. operating temperature	-25 °C



ruck^{eu}
VENTILATOREN
ruck Ventilatoren
Max-Planck-Str. 5
D-97944 Boxberg



Protection Mark
according to ISO16016
Created d.hancu
Drawn d.hancu
Released v.brand
Disabled

1:7 A4 mm

General tolerances
DIN ISO 2768-c

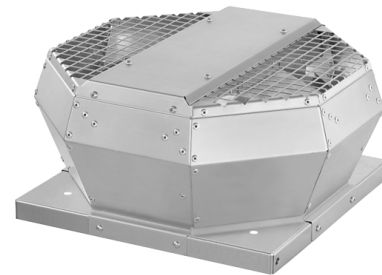
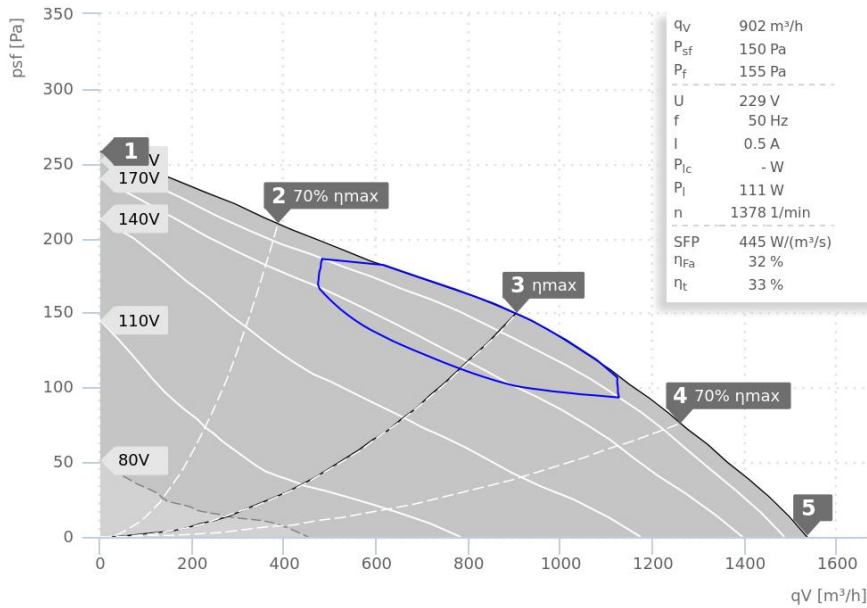
DVA280E430+

130099 00



DATA SHEET

DVA 315 E4 42 | 156430



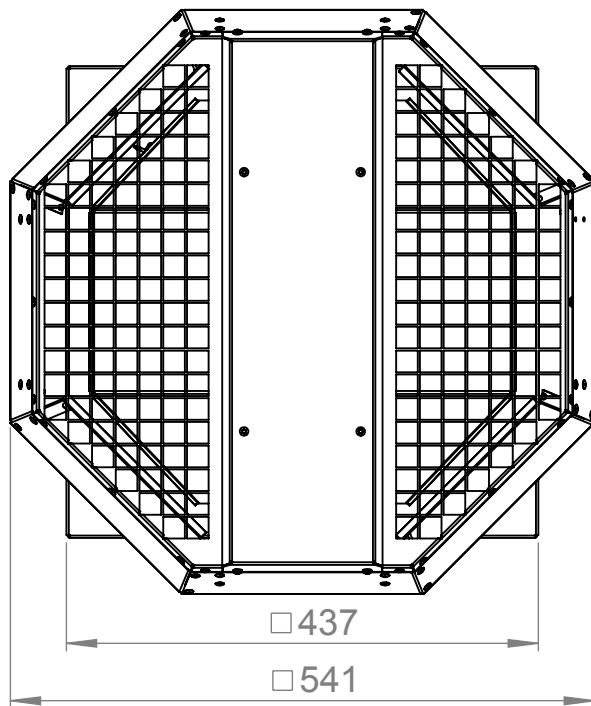
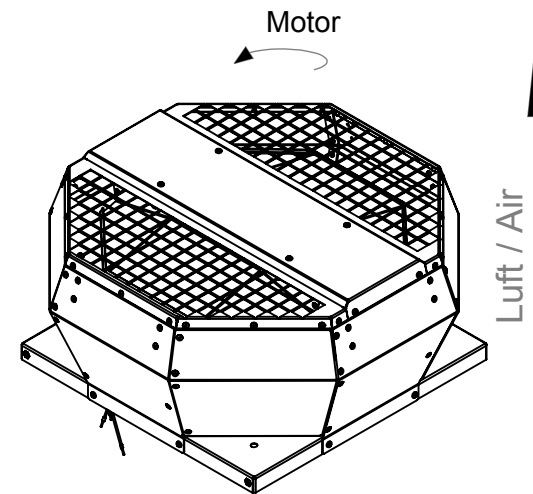
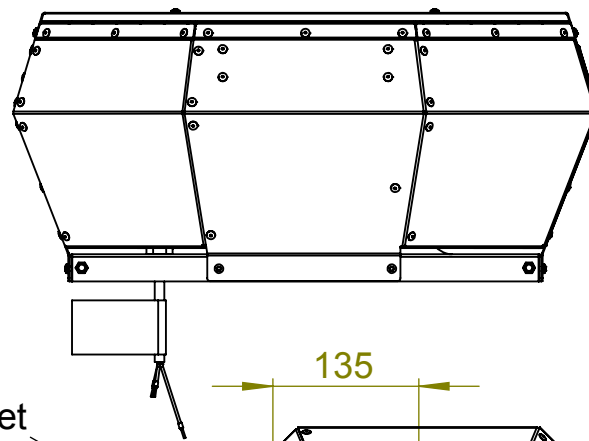
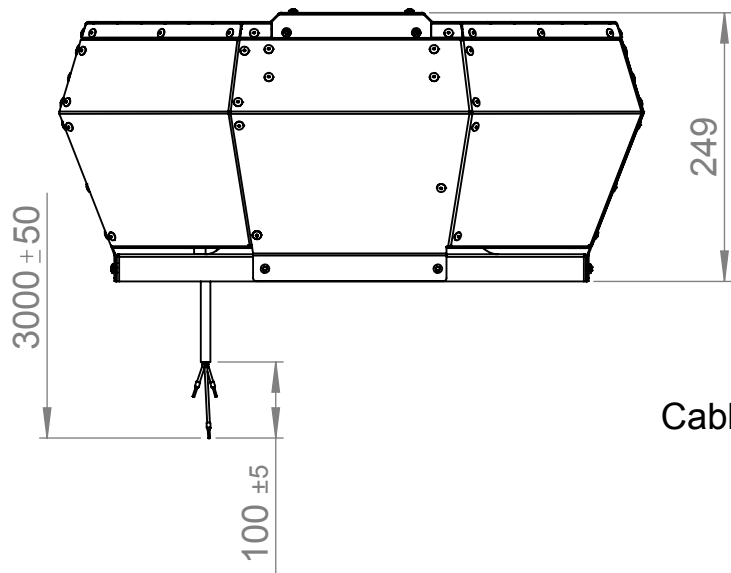
- Backward curved centrifugal fan
- Housing made of aluminium AlMg3
- Speed controllable
- Integrated thermostatic switch
- Maintenance-free ball bearings

— ErP compliant range

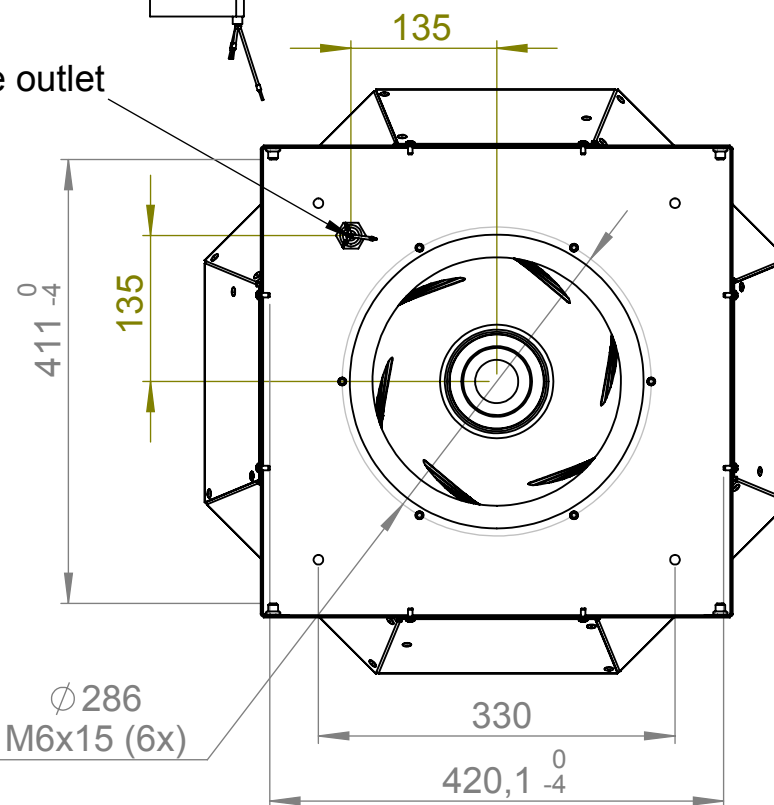
Operating Point		1	2	3	4	5
Current I	A	0,4	0,5	0,5	0,5	0,5
Power consumption P_1	W	83	97	112	113	105
Rotation speed n	1/min	1436	1407	1378	1380	1394
SWL inlet L_{WA5}	dB(A)	64	64	63	64	66
SWL outlet L_{WA6}	dB(A)	67	68	66	68	69
SWL housing break out L_{WA2}	dB(A)	-	-	-	-	-

Sound power (L_W) dB(A)		Medium Frequency Band								
		Σ	63	125	250	500	1k	2k	4k	8k
Inlet	L_{WA5}	63	43	51	54	58	58	57	48	36
Outlet	L_{WA6}	66	43	53	58	62	60	60	49	37
Housing radiation	L_{WA2}	-	-	-	-	-	-	-	-	-

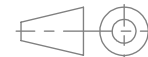
DVA 315 E4 42 156430	
Voltage U_N	230 V 1~
Current I_{max}	0,6 A
Ambient temperature t_A	70 °C
Conveyed medium temperature t_M	70 °C
Speed Control	V
Motor protection	TAI
Insulation class motor	B
Weight	8,7 kg
Number of poles	4
IP motor	IP44
IP terminal box	-
IP complete unit	-
Min. operating temperature	-25 °C



Cable outlet



ruck^{eu}
VENTILATOREN
ruck Ventilatoren
Max-Planck-Str. 5
D-97944 Boxberg



Protection Mark
according to ISO 16016

Created d.hancu
Drawn d.hancu
Released
Disabled

1:7 A4 mm

General tolerances
DIN ISO 2768-c

24.11.2020
24.11.2020

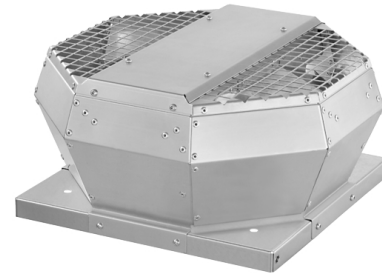
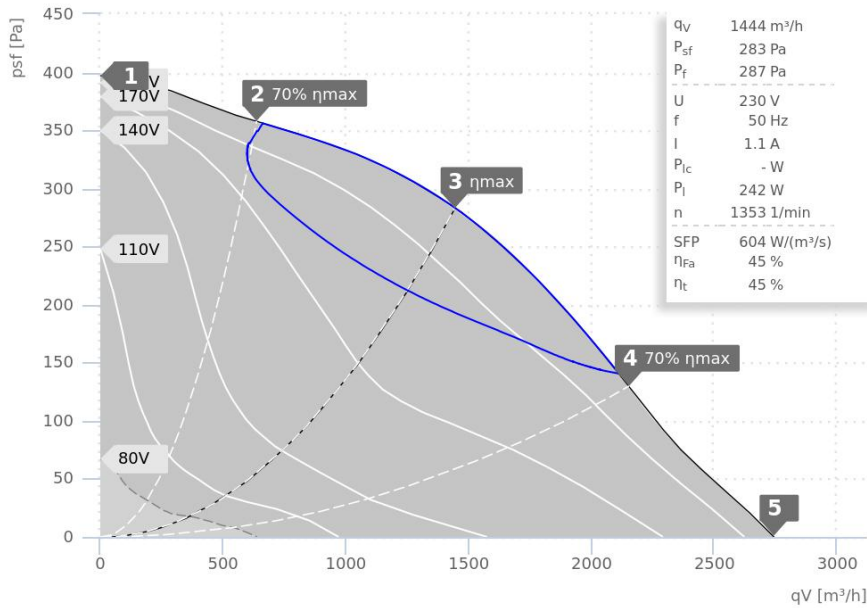
DVA315E442

156430 00

VENTAS
VENTILATORER

DATA SHEET

DVA 355 E4 30 | 131059



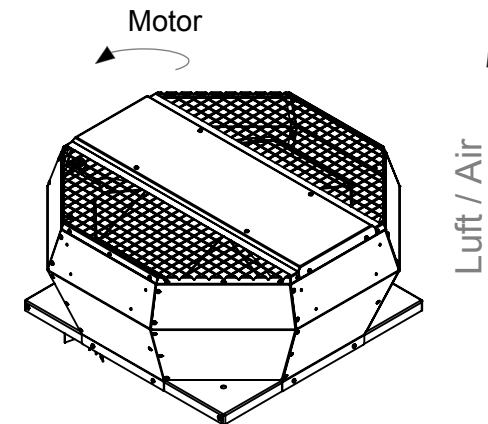
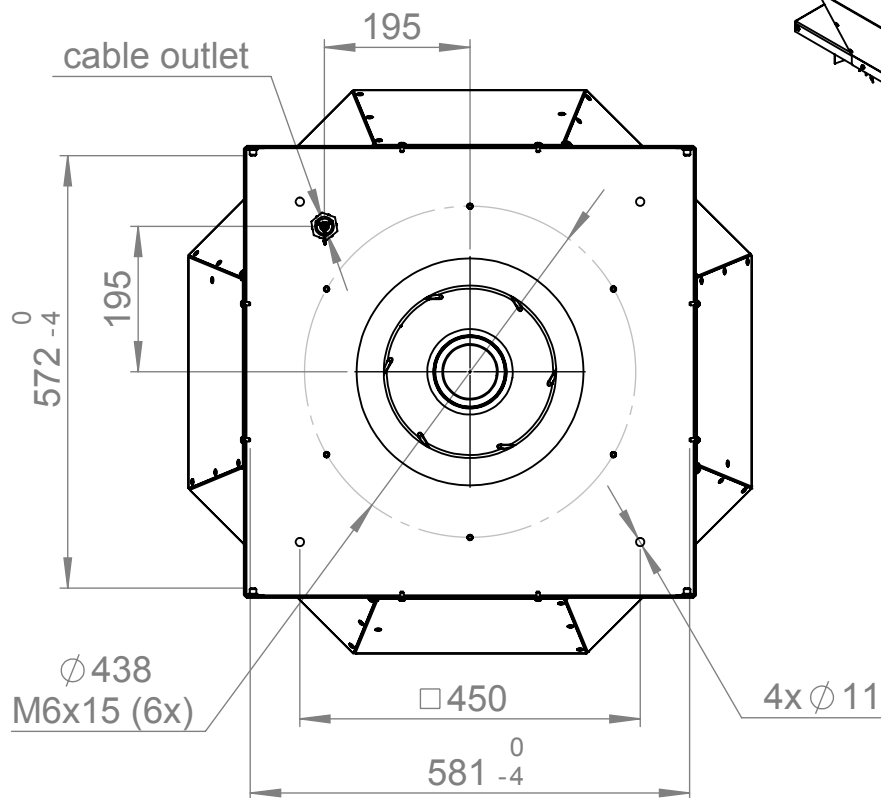
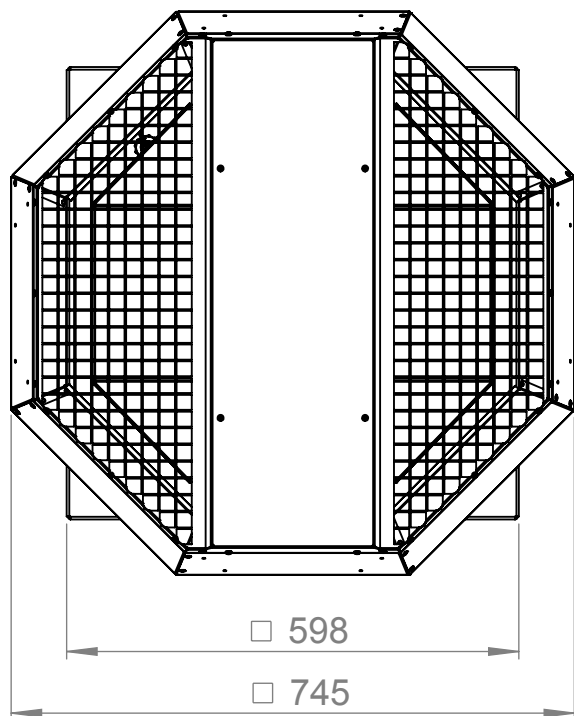
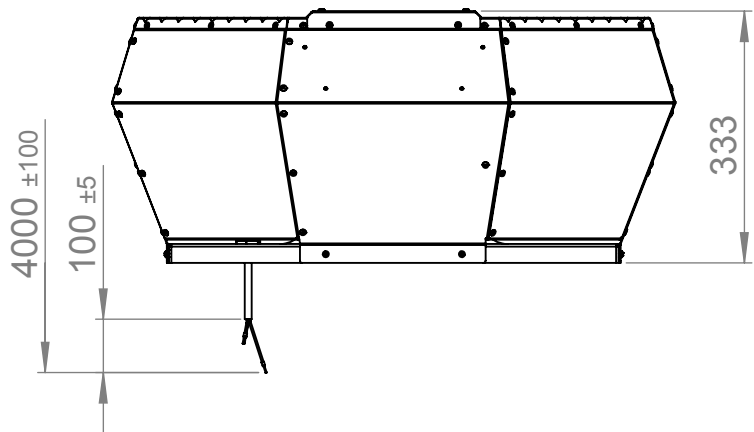
- Backward curved centrifugal fan
- Housing made of aluminium AlMg3
- Speed controllable
- Integrated thermostatic switch
- Maintenance-free ball bearings

— ErP compliant range

Operating Point		1	2	3	4	5
Current I	A	0,6	0,9	1,1	1,1	1,0
Power consumption P _i	W	131	196	242	235	213
Rotation speed n	1/min	1456	1407	1353	1366	1390
SWL inlet L _{WA5}	dB(A)	67	65	64	69	74
SWL outlet L _{WA6}	dB(A)	69	67	66	71	75
SWL housing break out L _{WA2}	dB(A)	-	-	-	-	-

Sound power (L _W) dB(A)		Medium Frequency Band								
		Σ	63	125	250	500	1k	2k	4k	8k
Inlet	L _{WA5}	64	30	48	52	57	57	61	54	44
Outlet	L _{WA6}	66	36	54	57	59	60	62	54	43
Housing radiation	L _{WA2}	-	-	-	-	-	-	-	-	-

DVA 355 E4 30 131059	
Voltage U _N	230 V 1~
Current I _{max}	1,3 A
Ambient temperature t _A	45 °C
Conveyed medium temperature t _M	45 °C
Speed Control	V
Motor protection	TAI
Insulation class motor	F
Weight	16,5 kg
Number of poles	4
IP motor	IP44
IP terminal box	IP44
IP complete unit	IPX4
Min. operating temperature	-25 °C



ruck Ventilatoren
Max-Planck-Str. 5
D-97944 Boxberg



Protection Mark
according to ISO16016

Created I.benk
Drawn I.benk
Released v.brand
Disabled

1:10 A4 mm

General tolerances
DIN ISO 2768-c

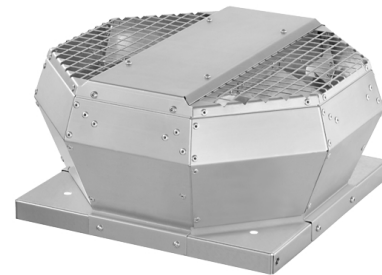
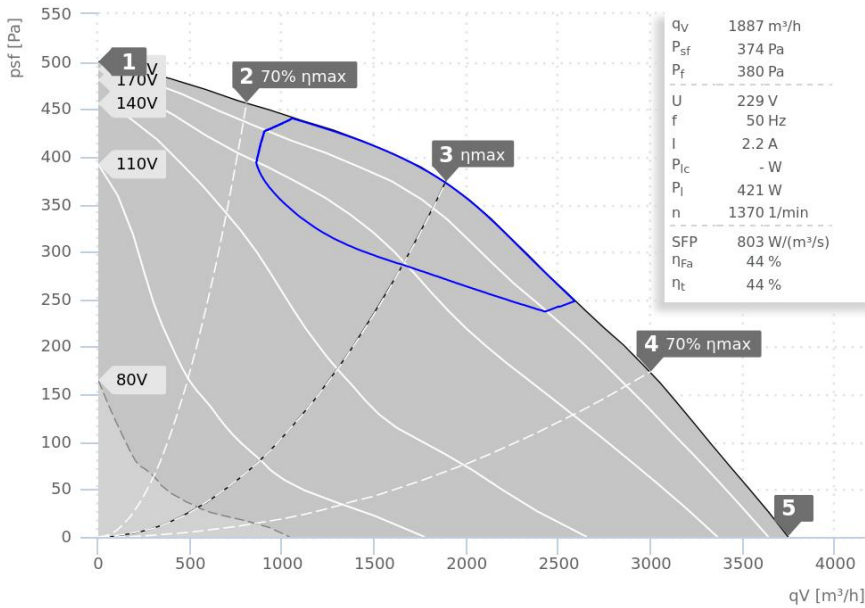
DVA355E430+

131059 00



DATA SHEET

DVA 400 E4 30 | 131062



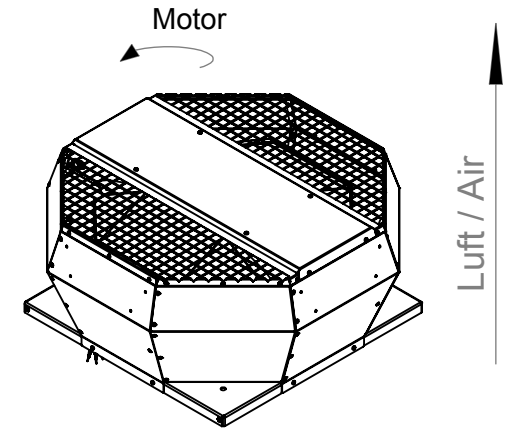
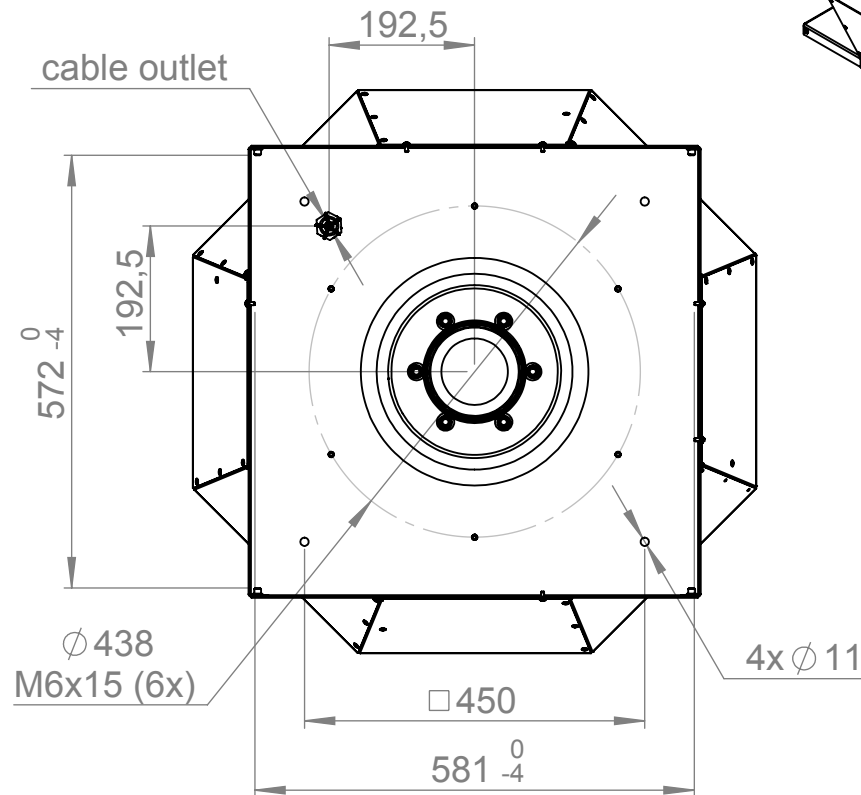
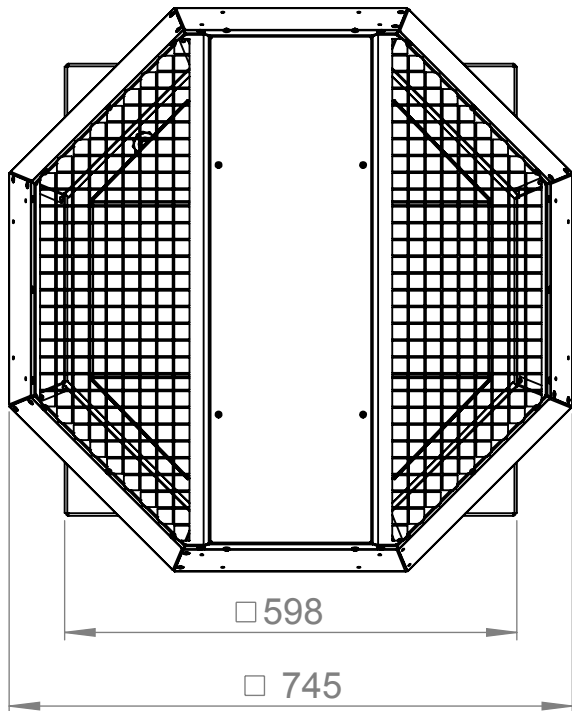
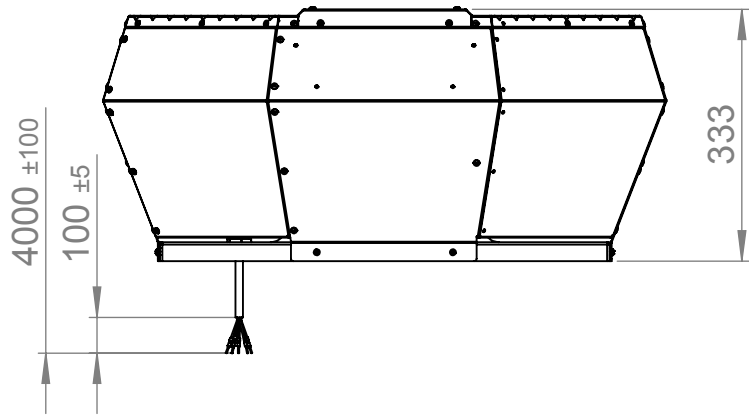
- Backward curved centrifugal fan
- Housing made of aluminium AlMg3
- Speed controllable
- Integrated thermostatic switch
- Maintenance-free ball bearings

— ErP compliant range

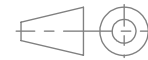
Operating Point		1	2	3	4	5
Current I	A	1,5	1,8	2,2	2,2	2,1
Power consumption P _i	W	222	321	420	442	404
Rotation speed n	1/min	1456	1416	1368	1365	1385
SWL inlet L _{WA5}	dB(A)	73	74	67	72	75
SWL outlet L _{WA6}	dB(A)	74	73	71	76	79
SWL housing break out L _{WA2}	dB(A)	-	-	-	-	-

Sound power (L _W) dB(A)		Medium Frequency Band								
		Σ	63	125	250	500	1k	2k	4k	8k
Inlet	L _{WA5}	67	37	56	57	61	60	62	57	46
Outlet	L _{WA6}	71	40	62	63	65	65	64	59	48
Housing radiation	L _{WA2}	-	-	-	-	-	-	-	-	-

DVA 400 E4 30 131062	
Voltage U _N	230 V 1~
Current I _{max}	2,6 A
Ambient temperature t _A	65 °C
Conveyed medium temperature t _M	65 °C
Speed Control	V
Motor protection	TAO
Insulation class motor	F
Weight	16,5 kg
Number of poles	4
IP motor	IP54
IP terminal box	IP44
IP complete unit	IPX4
Min. operating temperature	-25 °C



ruck^{eu}
VENTILATOREN
ruck Ventilatoren
Max-Planck-Str. 5
D-97944 Boxberg



Protection Mark
according to ISO 16016

Created I.benk
Drawn I.benk
Released v.brand
Disabled

1:10 A4 mm

General tolerances
DIN ISO 2768-c

04.12.2014
04.12.2014
23.01.2020

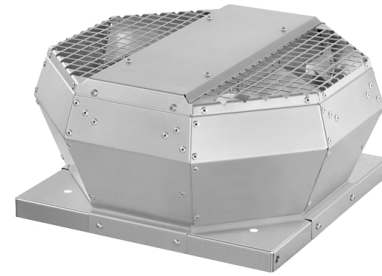
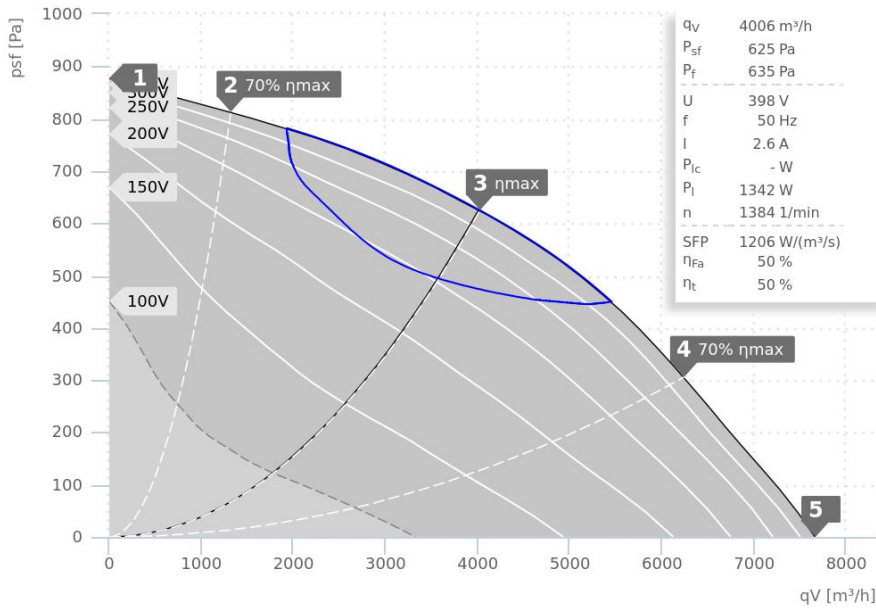
DVA400E430+

131062 00

VENTAS
VENTILATORER

DATA SHEET

DVA 500 D4 30 | 131068



SALE OUT

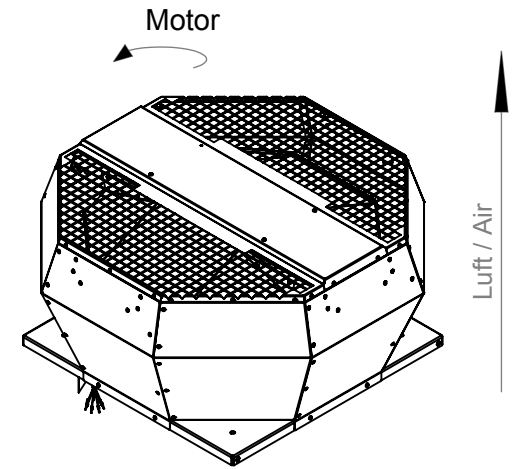
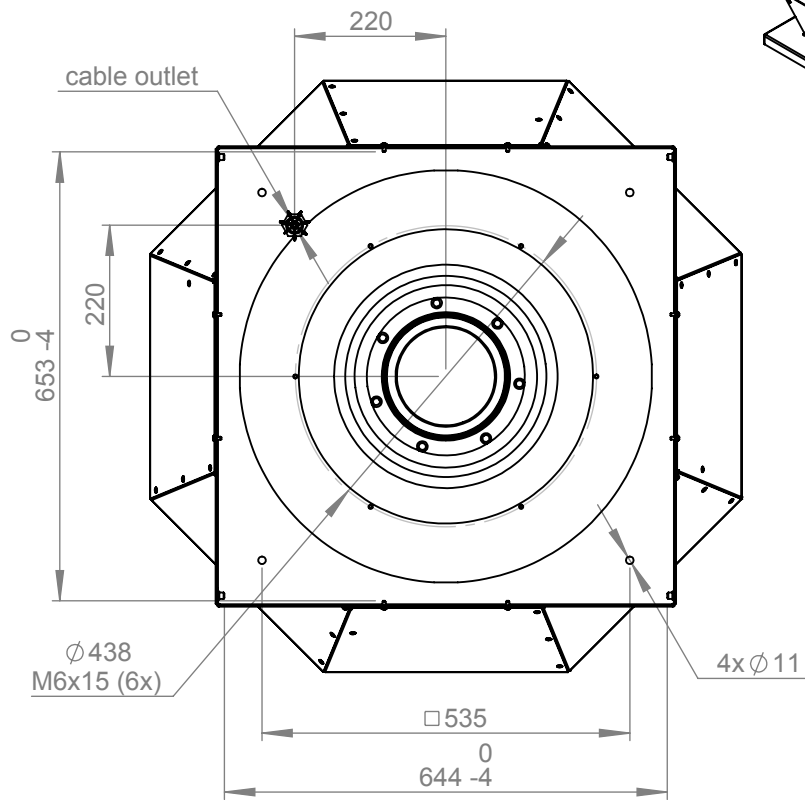
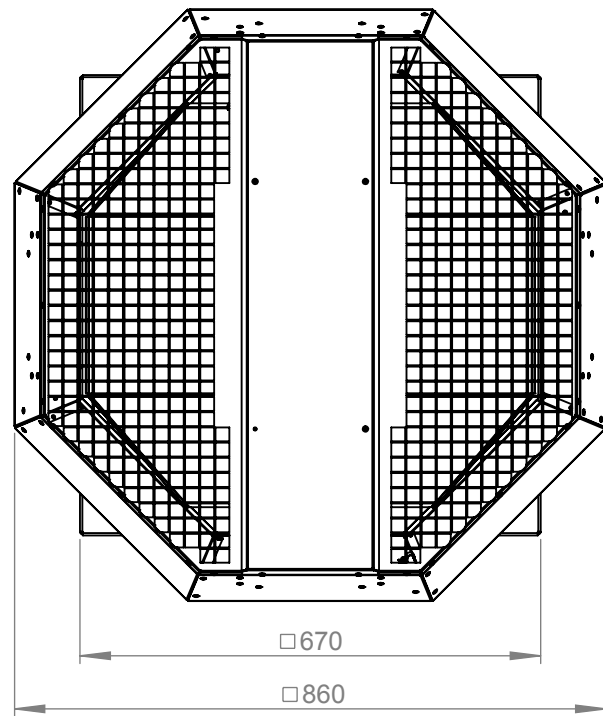
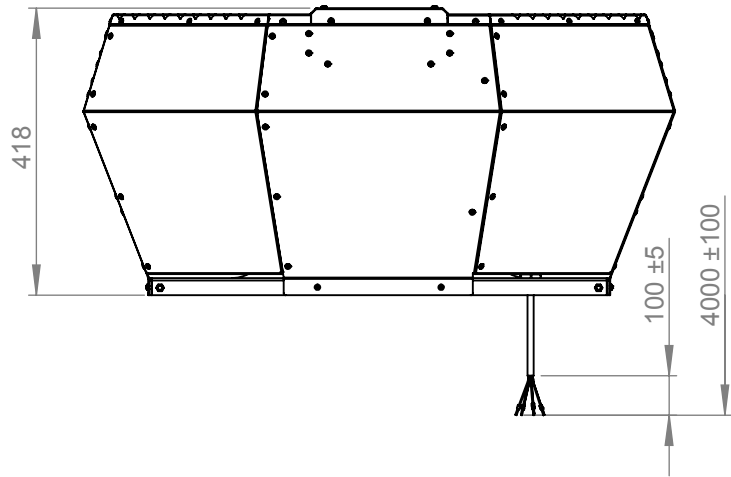
- Backward curved centrifugal fan
- Housing made of aluminium AlMg3
- Speed controllable
- Integrated thermostatic switch
- Maintenance-free ball bearings

— ErP compliant range

Operating Point		1	2	3	4	5
Current I	A	1,6	2,0	2,6	2,8	2,6
Power consumption P _i	W	465	820	1347	1447	1279
Rotation speed n	1/min	1462	1433	1385	1378	1393
SWL inlet L _{WA5}	dB(A)	82	82	80	85	88
SWL outlet L _{WA6}	dB(A)	81	80	79	83	86
SWL housing break out L _{WA2}	dB(A)	-	-	-	-	-

Sound power (L _W) dB(A)		Medium Frequency Band								
		Σ	63	125	250	500	1k	2k	4k	8k
Inlet	L _{WA5}	80	59	72	73	74	72	73	69	62
Outlet	L _{WA6}	79	53	69	72	74	73	71	67	60
Housing radiation	L _{WA2}	-	-	-	-	-	-	-	-	-

DVA 500 D4 30 131068	
Voltage U _N	400 V 3~
Current I _{max}	3,4 A
Ambient temperature t _A	55 °C
Conveyed medium temperature t _M	55 °C
Speed Control	V
Motor protection	TAO
Insulation class motor	F
Weight	34,0 kg
Number of poles	4
IP motor	IP54
IP terminal box	IP44
IP complete unit	IPX4
Min. operating temperature	-30 °C



ruck^{eu}
VENTILATOREN
ruck Ventilatoren
Max-Planck-Str. 5
D-97944 Boxberg

Protection Mark
according to ISO16016
Created I.benk
Drawn I.benk
Released v.brand
Disabled

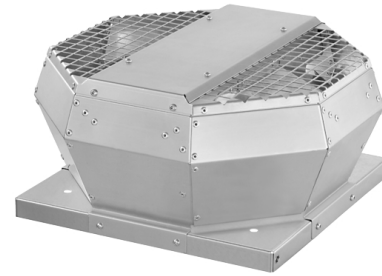
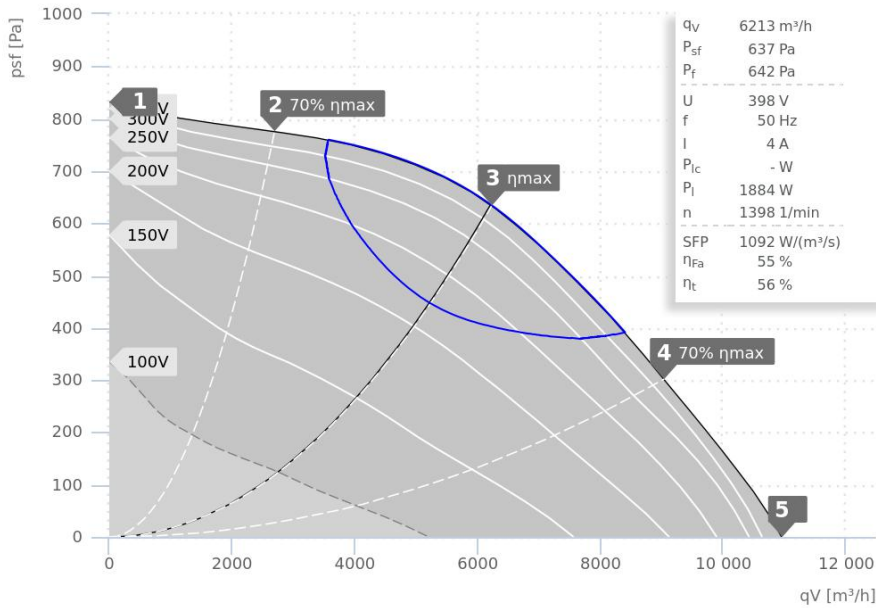
1:11 A4 mm
General tolerances
DIN ISO 2768-c
17.11.2014
17.11.2014
24.01.2020

DVA500D430+
131068 00



DATA SHEET

DVA 560 D4 30 | 131071



SALE OUT

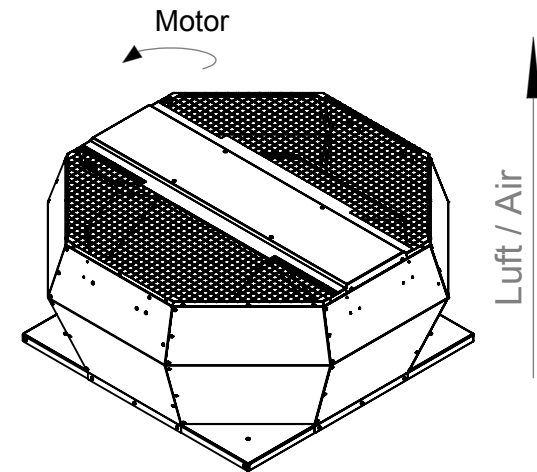
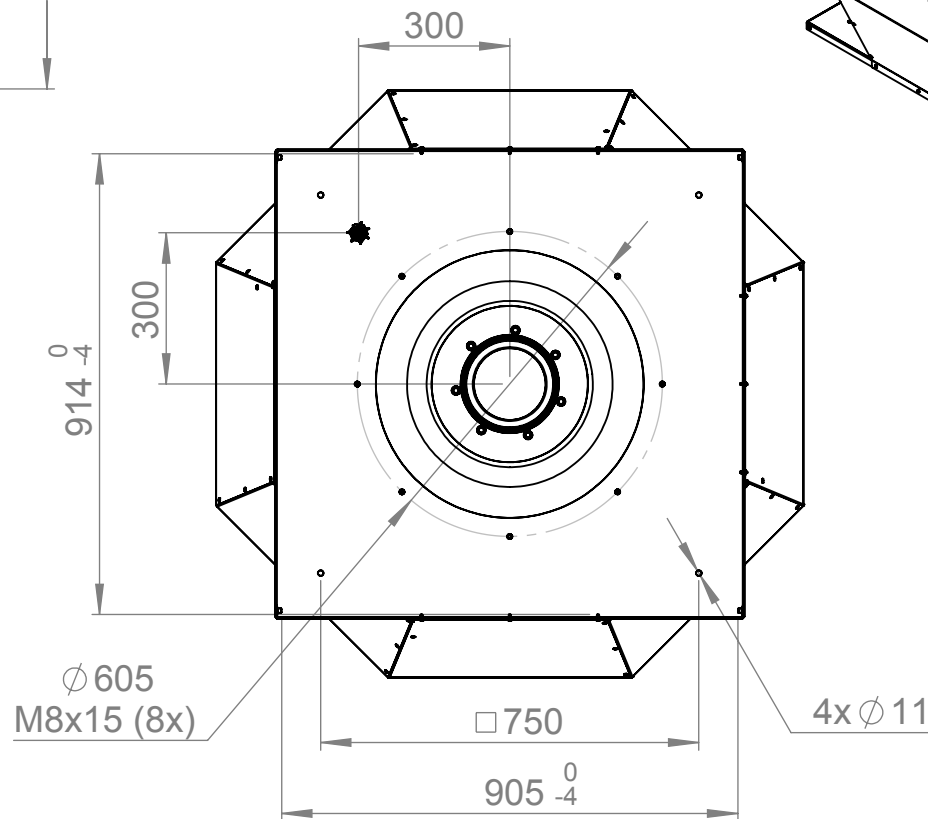
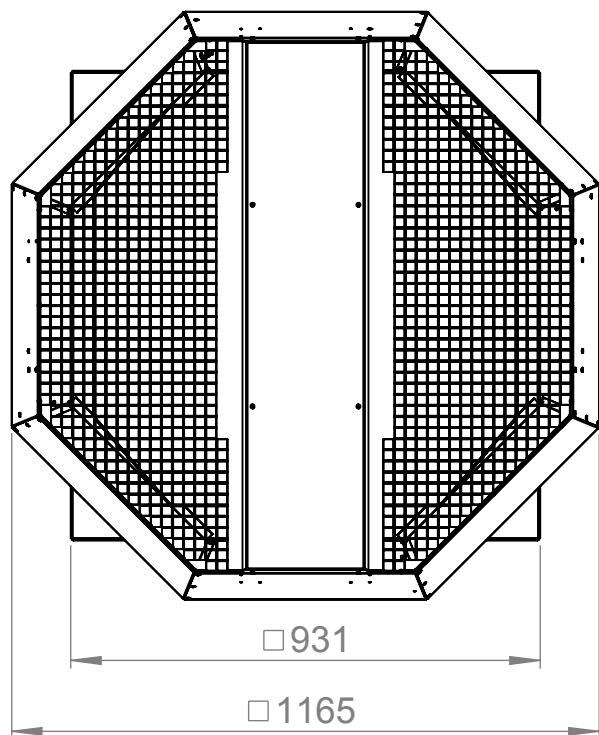
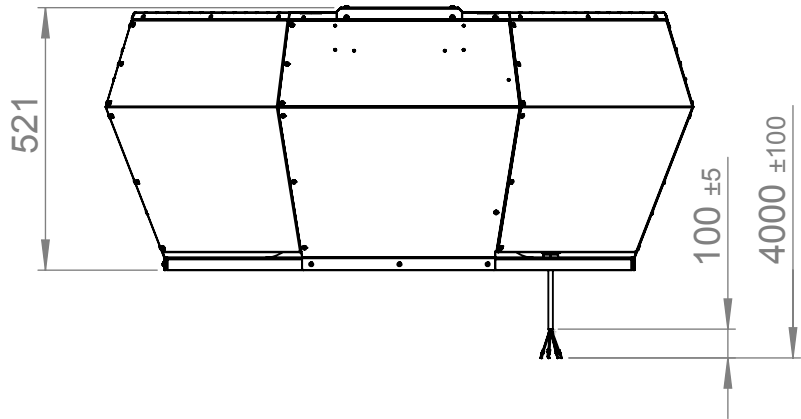
- Backward curved centrifugal fan
- Housing made of aluminium AlMg3
- Speed controllable
- Integrated thermostatic switch
- Maintenance-free ball bearings

— ErP compliant range

Operating Point		1	2	3	4	5
Current I	A	2,7	3,5	4,0	4,0	3,7
Power consumption P _i	W	864	1479	1890	1852	1581
Rotation speed n	1/min	1452	1421	1399	1402	1416
SWL inlet L _{WA5}	dB(A)	86	84	81	81	84
SWL outlet L _{WA6}	dB(A)	86	84	82	84	86
SWL housing break out L _{WA2}	dB(A)	-	-	-	-	-

Sound power (L _W) dB(A)		Medium Frequency Band								
		Σ	63	125	250	500	1k	2k	4k	8k
Inlet	L _{WA5}	81	58	71	72	75	75	74	71	65
Outlet	L _{WA6}	82	50	72	72	75	77	75	68	61
Housing radiation	L _{WA2}	-	-	-	-	-	-	-	-	-

DVA 560 D4 30 131071	
Voltage U _N	400 V 3~
Current I _{max}	4,8 A
Ambient temperature t _A	60 °C
Conveyed medium temperature t _M	60 °C
Speed Control	V
Motor protection	TAE
Insulation class motor	F
Weight	53,5 kg
Number of poles	4
IP motor	IP54
IP terminal box	IP44
IP complete unit	IPX4
Min. operating temperature	-30 °C



ruck^{eu}
VENTILATOREN
ruck Ventilatoren
Max-Planck-Str. 5
D-97944 Boxberg



Protection Mark
according to ISO 16016

Created I.benk
Drawn I.benk
Released v.brand
Disabled

1:15 A4 mm

General tolerances
DIN ISO 2768-c

DVA560D430+

131071 00

VENTAS
VENTILATORER