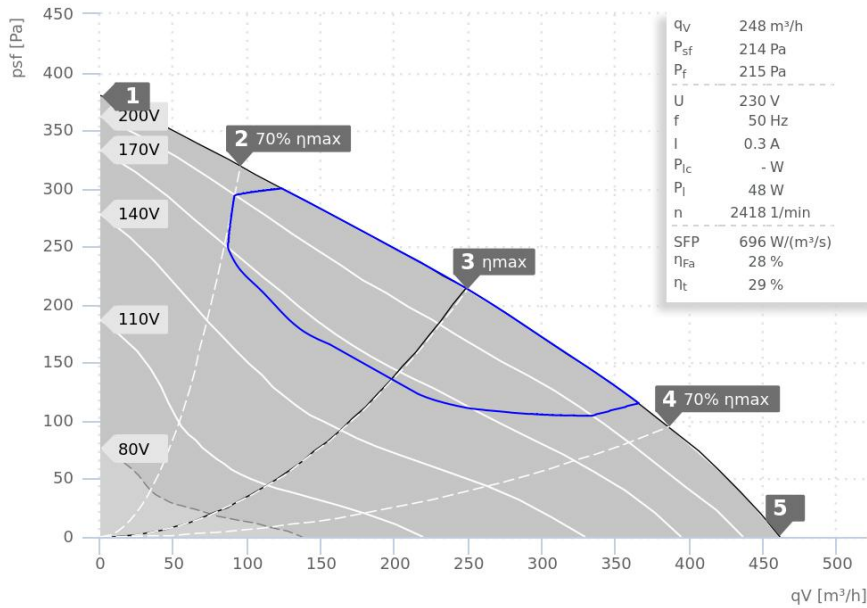


DATA SHEET

DVA 190 E2P 31 | 139345



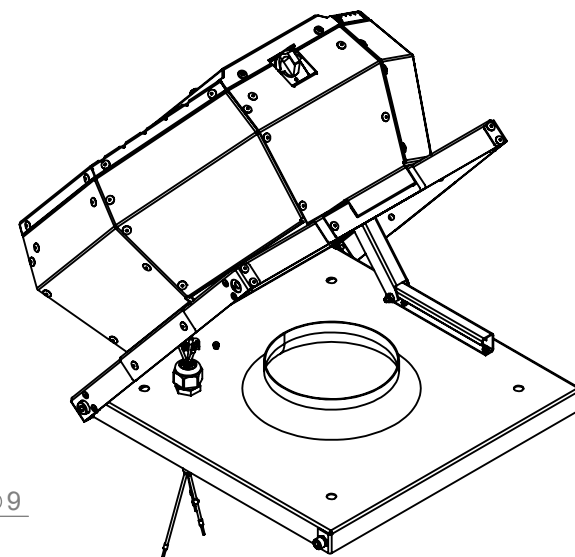
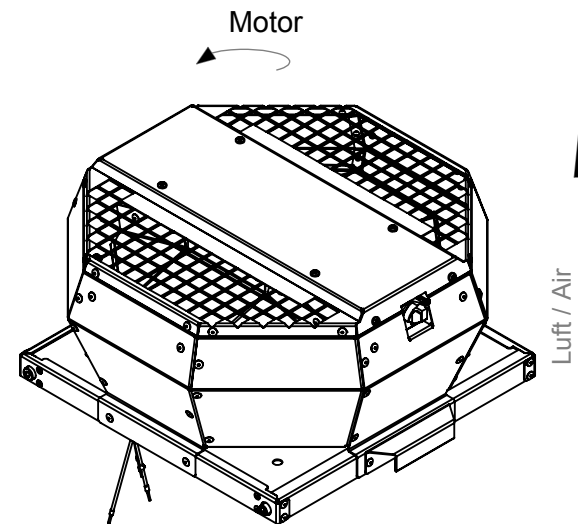
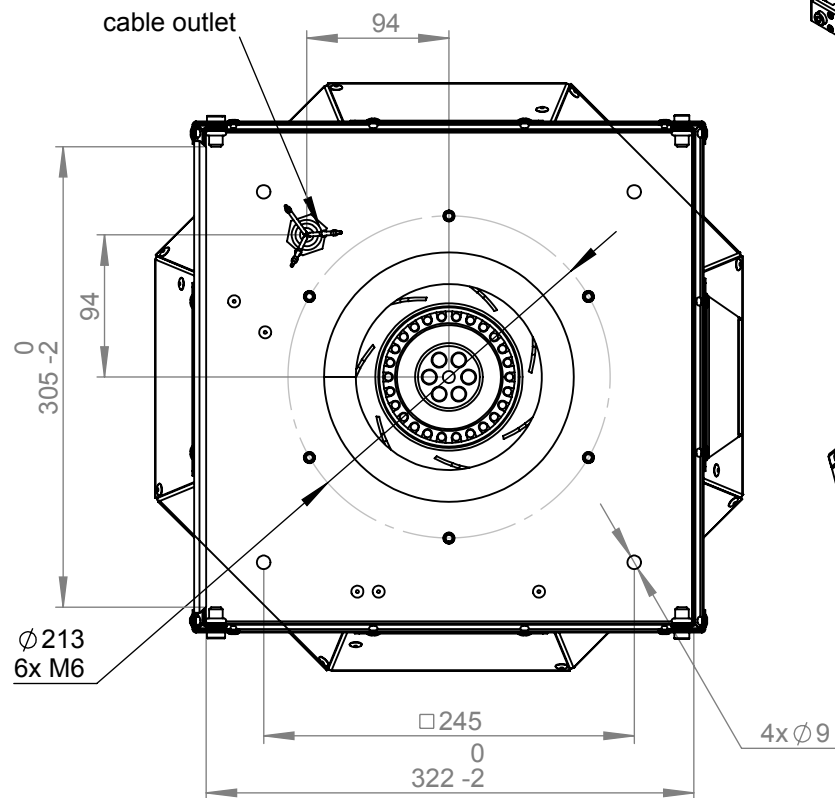
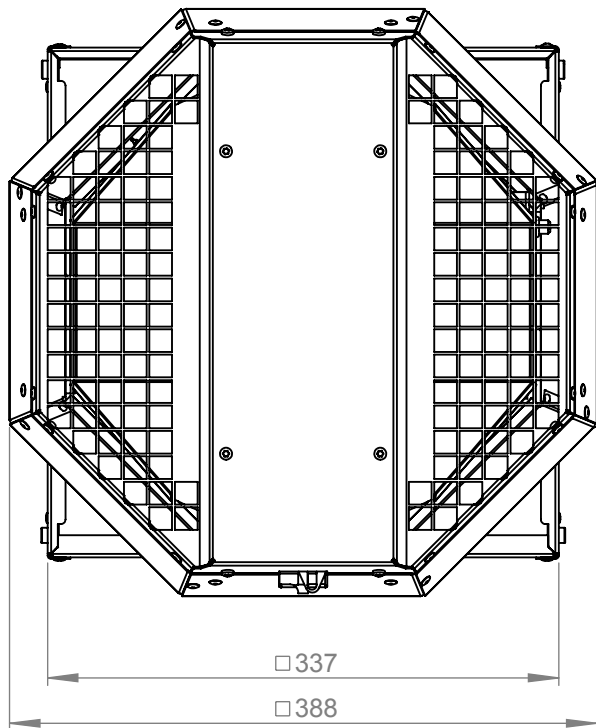
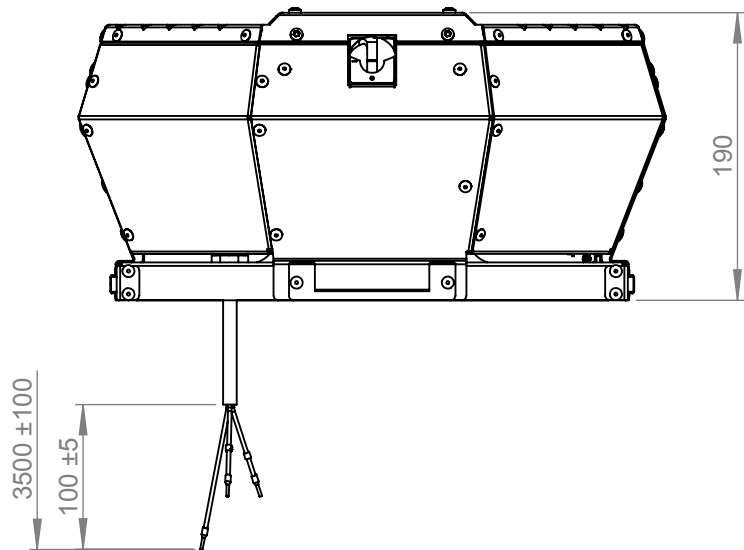
- Backward curved centrifugal fan
- Housing made of aluminium AlMg3
- Speed controllable
- Integrated thermostatic switch
- Swing out design
- With isolator switch

— ErP compliant range

Operating Point		1	2	3	4	5
Current I	A	0,2	0,3	0,3	0,3	0,3
Power consumption P _l	W	34	41	48	46	44
Rotation speed n	1/min	2730	2594	2416	2491	2535
SWL inlet L _{WA5}	dB(A)	67	66	64	67	70
SWL outlet L _{WA6}	dB(A)	68	67	64	68	71
SWL housing break out L _{WA2}	dB(A)	-	-	-	-	-

Sound power (L _w) dB(A)		Medium Frequency Band								
		Σ	63	125	250	500	1k	2k	4k	8k
Inlet	L _{WA5}	64	36	43	49	56	59	58	55	45
Outlet	L _{WA6}	64	37	44	52	58	58	59	55	44
Housing radiation	L _{WA2}	-	-	-	-	-	-	-	-	-

DVA 190 E2P 31 139345	
Voltage U _N	230 V 1~
Current I _{max}	0,3 A
Ambient temperature t _A	70 °C
Conveyed medium temperature t _M	70 °C
Speed Control	V
Motor protection	TMI
Insulation class motor	F
Weight	4,8 kg
Number of poles	2
IP motor	IP33
IP terminal box	IP44
IP complete unit	IPX4
Min. operating temperature	-25 °C



ruck Ventilatoren
Max-Planck-Str. 5
D-97944 Boxberg



Protection Mark
according to ISO16016

Created s.pop
Drawn s.pop
Released v.brand
Disabled

1:5 A4 mm

General tolerances
DIN ISO 2768-c

31.03.2017
31.03.2017
06.05.2020

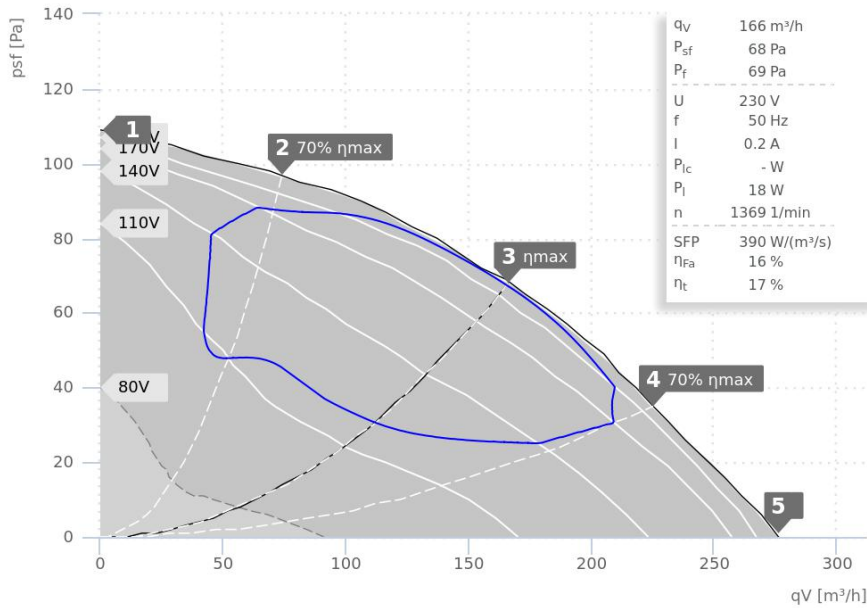
DVA190E2P31

139345 00



DATA SHEET

DVA 190 E4P 31 | 139342



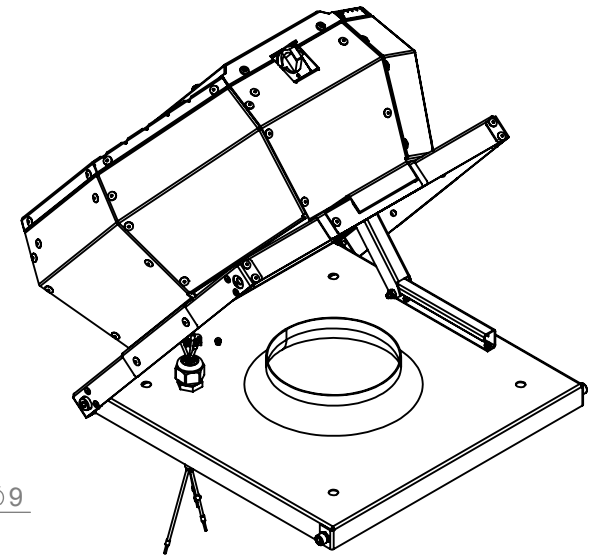
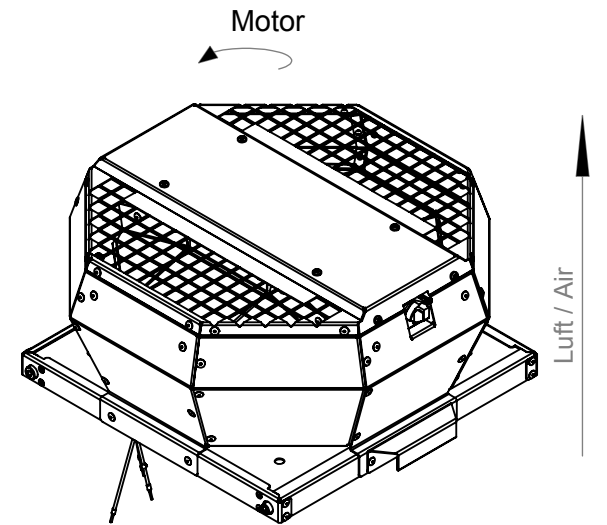
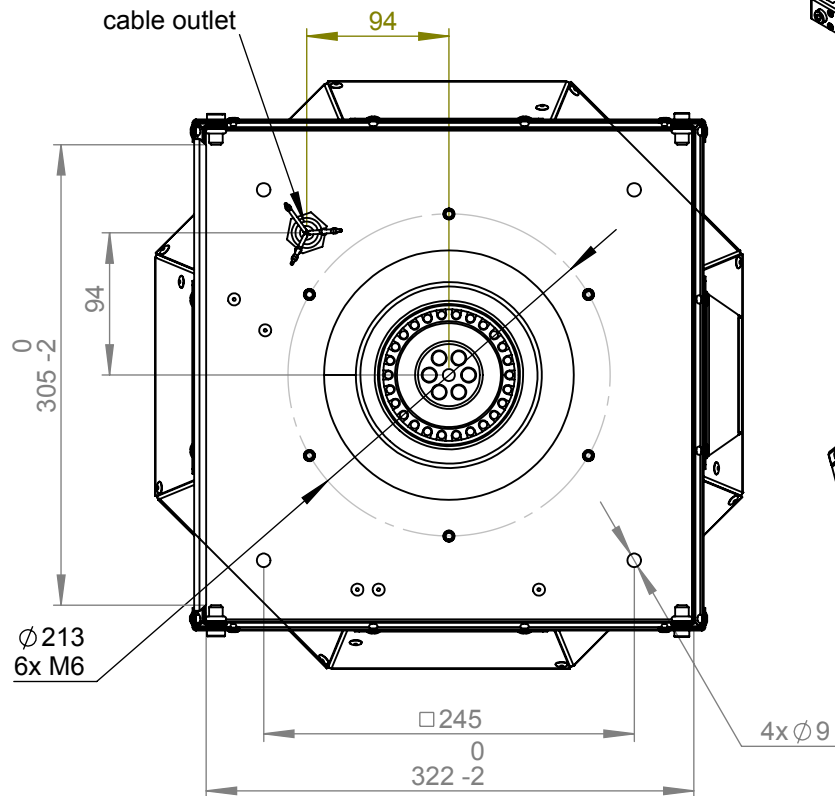
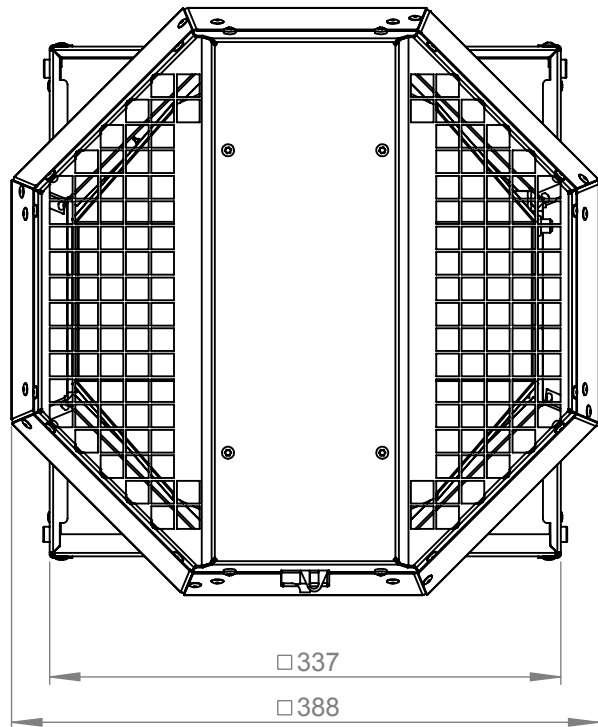
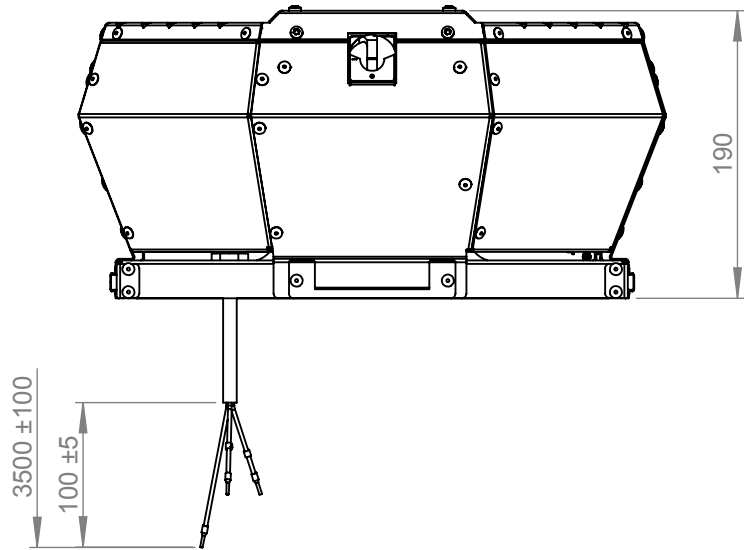
- Backward curved centrifugal fan
- Housing made of aluminium AlMg3
- Speed controllable
- Integrated thermostatic switch
- Swing out design
- With isolator switch

— ErP compliant range

Operating Point		1	2	3	4	5
Current I	A	0,2	0,2	0,2	0,2	0,2
Power consumption P _i	W	16	17	18	18	17
Rotation speed n	1/min	1433	1391	1369	1375	1385
SWL inlet L _{WA5}	dB(A)	51	51	52	54	56
SWL outlet L _{WA6}	dB(A)	54	54	55	56	58
SWL housing break out L _{WA2}	dB(A)	-	-	-	-	-

Sound power (L _W) dB(A)		Medium Frequency Band								
		Σ	63	125	250	500	1k	2k	4k	8k
Inlet	L _{WA5}	52	21	32	35	44	46	49	39	22
Outlet	L _{WA6}	55	23	35	39	48	47	52	40	22
Housing radiation	L _{WA2}	-	-	-	-	-	-	-	-	-

DVA 190 E4P 31 139342	
Voltage U _N	230 V 1~
Current I _{max}	0,2 A
Ambient temperature t _A	70 °C
Conveyed medium temperature t _M	70 °C
Speed Control	V
Motor protection	TAI
Insulation class motor	F
Weight	5,0 kg
Number of poles	4
IP motor	IP33
IP terminal box	IP44
IP complete unit	IPX4
Min. operating temperature	-25 °C



1:5 A4 mm



ruck Ventilatoren
Max-Planck-Str. 5
D-97944 Boxberg

Protection Mark
according to ISO16016

Drawn: s.pop
Created: s.pop
Changed:

General tolerances
DIN ISO 2768-c

31.03.2017
31.03.2017

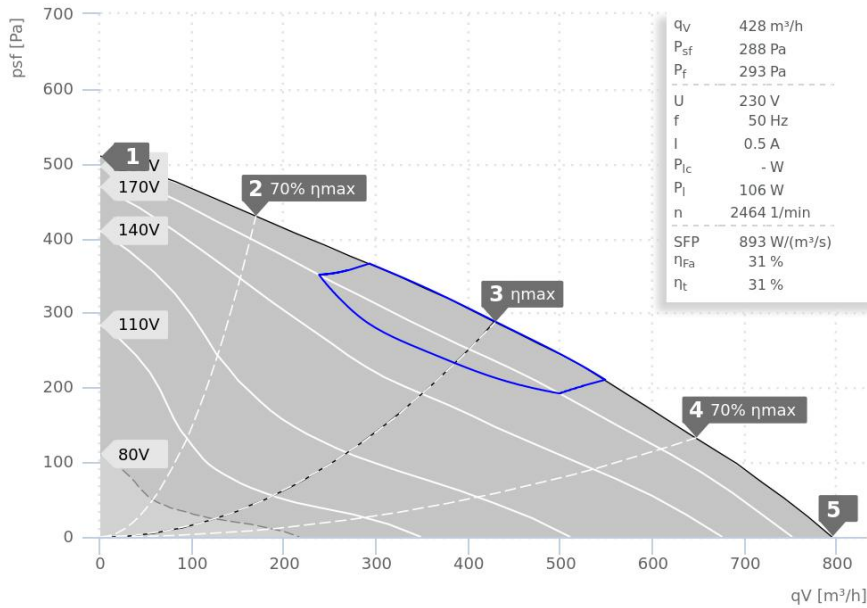
DVA190E4P31

139342 00



DATA SHEET

DVA 220 E2P 31 | 139339



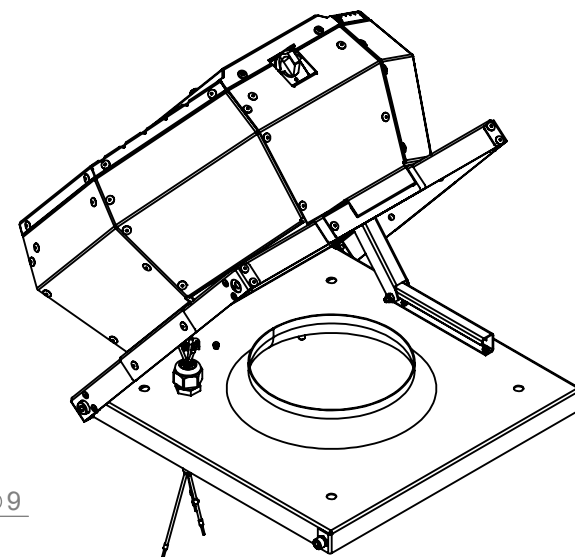
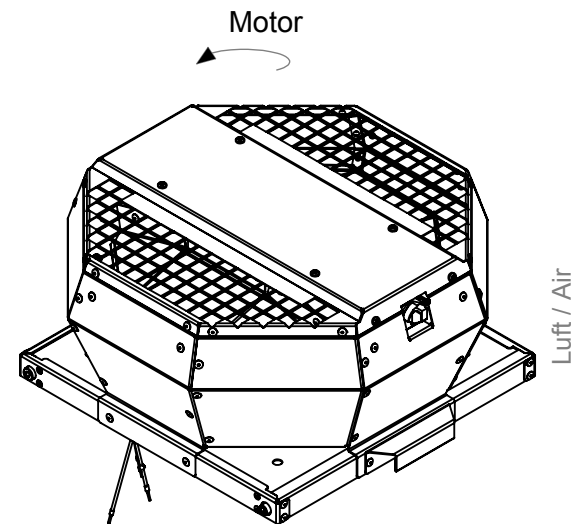
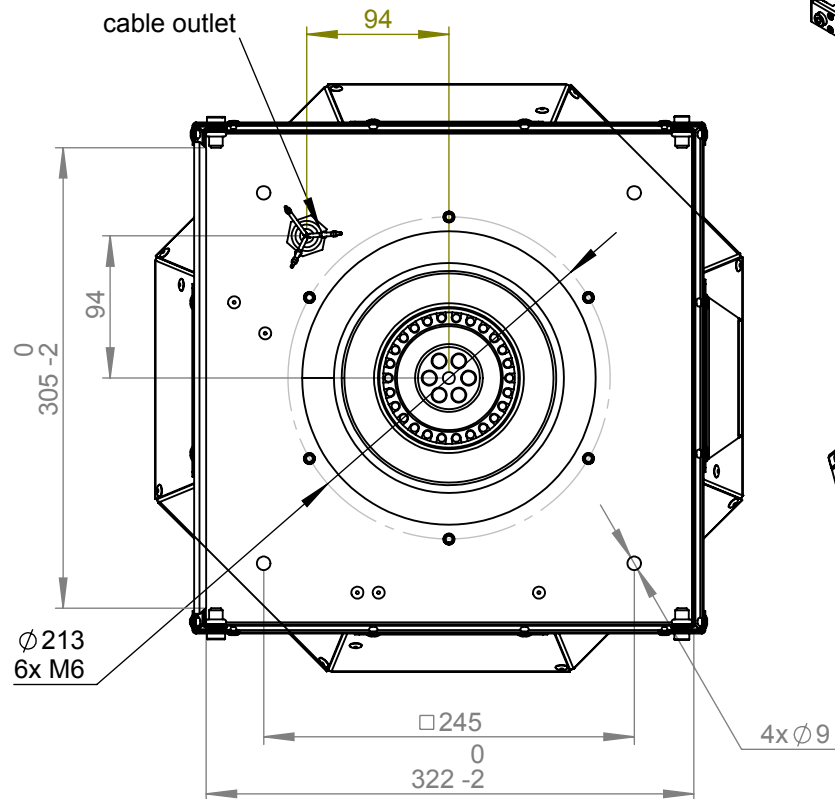
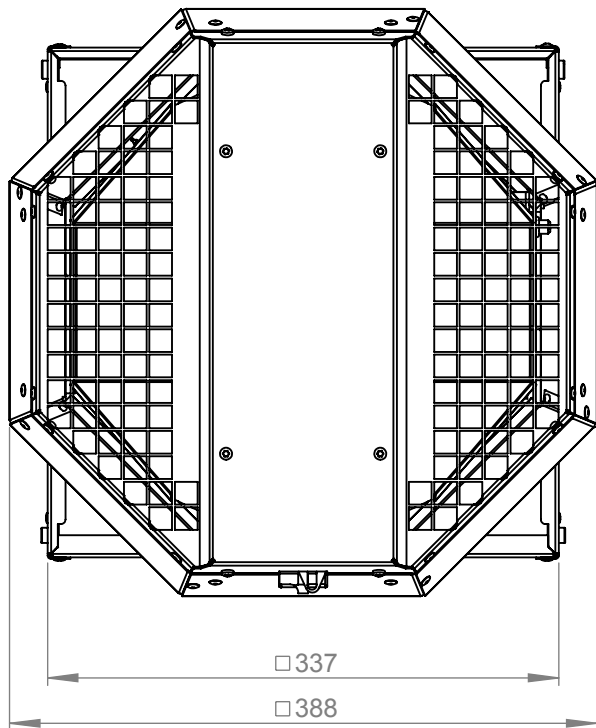
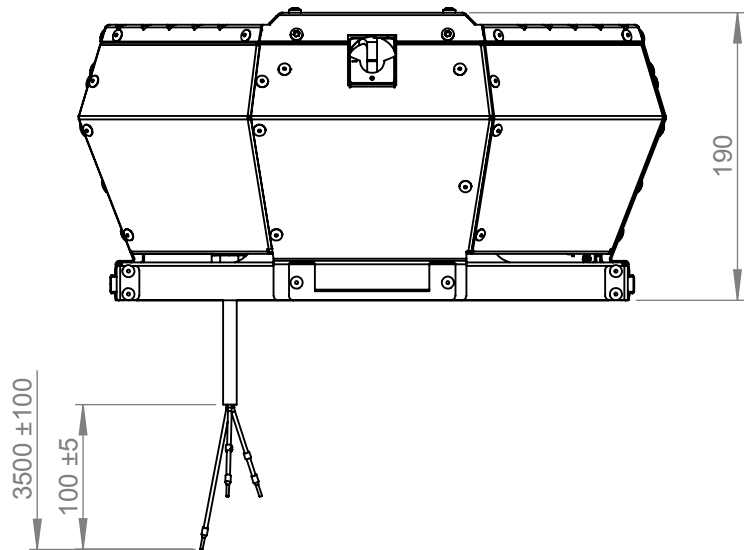
- Backward curved centrifugal fan
- Housing made of aluminium AlMg3
- Speed controllable
- Integrated thermostatic switch
- Swing out design
- With isolator switch

— ErP compliant range

Operating Point		1	2	3	4	5
Current I	A	0,4	0,5	0,5	0,5	0,5
Power consumption P_1	W	76	91	106	104	100
Rotation speed n	1/min	2778	2614	2466	2493	2543
SWL inlet L_{WA5}	dB(A)	66	66	66	67	71
SWL outlet L_{WA6}	dB(A)	68	68	67	70	73
SWL housing break out L_{WA2}	dB(A)	-	-	-	-	-

Sound power (L_W) dB(A)		Medium Frequency Band								
		Σ	63	125	250	500	1k	2k	4k	8k
Inlet	L_{WA5}	66	35	46	54	61	61	58	57	53
Outlet	L_{WA6}	67	38	47	55	62	61	61	55	46
Housing radiation	L_{WA2}	-	-	-	-	-	-	-	-	-

DVA 220 E2P 31 139339	
Voltage U_N	230 V 1~
Current I_{max}	0,6 A
Ambient temperature t_A	60 °C
Conveyed medium temperature t_M	60 °C
Speed Control	V
Motor protection	TAI
Insulation class motor	F
Weight	5,5 kg
Number of poles	2
IP motor	IP33
IP terminal box	IP44
IP complete unit	IPX4
Min. operating temperature	-25 °C



ruck Ventilatoren
Max-Planck-Str. 5
D-97944 Boxberg



1:5 A4 mm

Protection Mark
according to ISO16016

General tolerances
DIN ISO 2768-c

Drawn: s.pop
Created: s.pop
Changed:

31.03.2017
31.03.2017

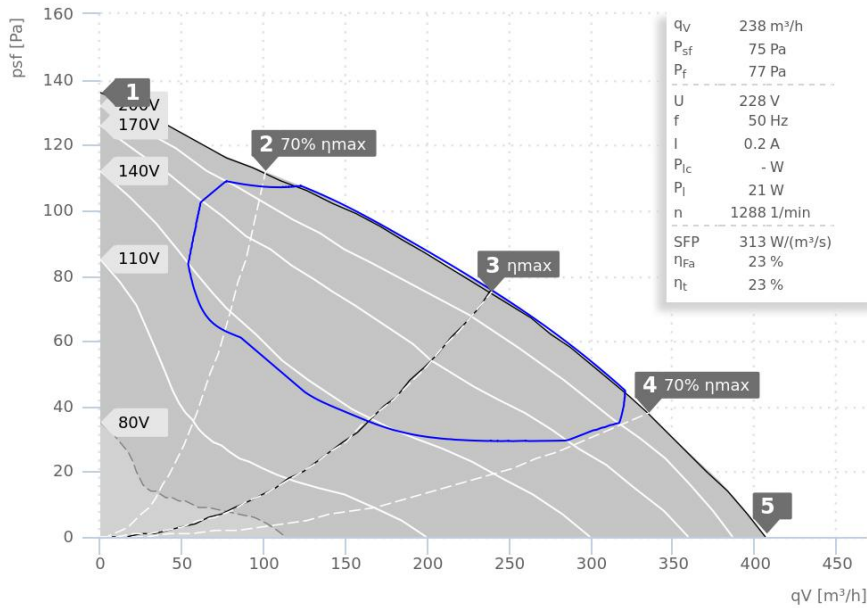
DVA220E2P31

139339 00



DATA SHEET

DVA 220 E4P 31 | 139334



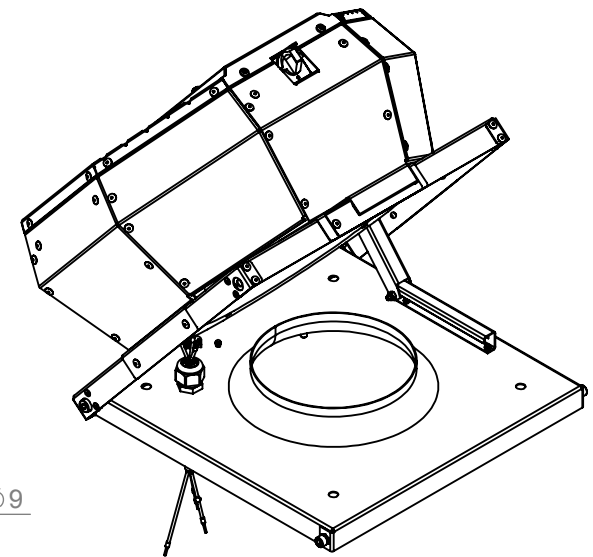
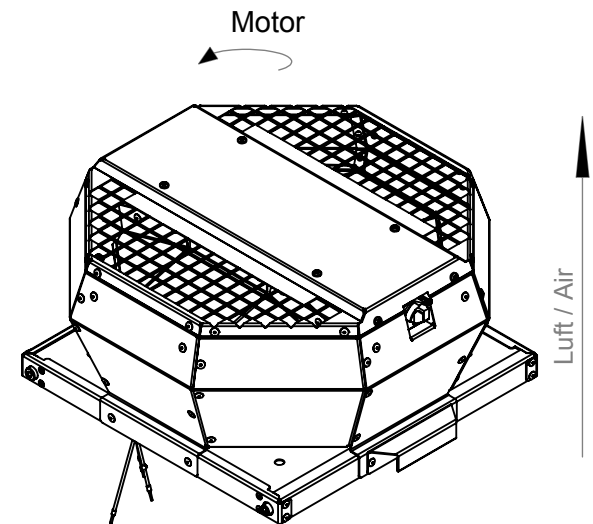
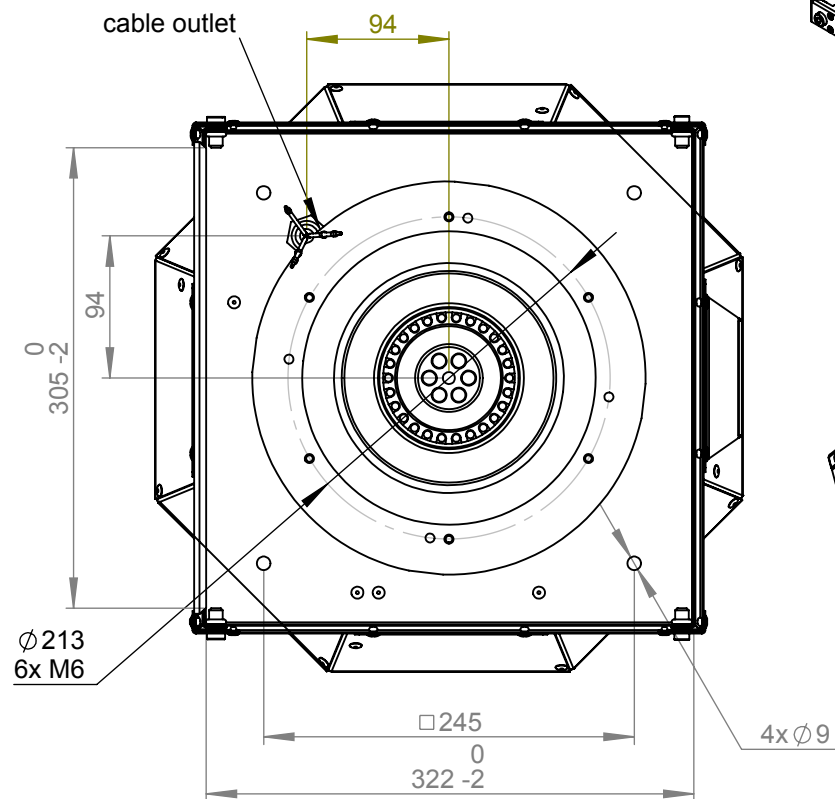
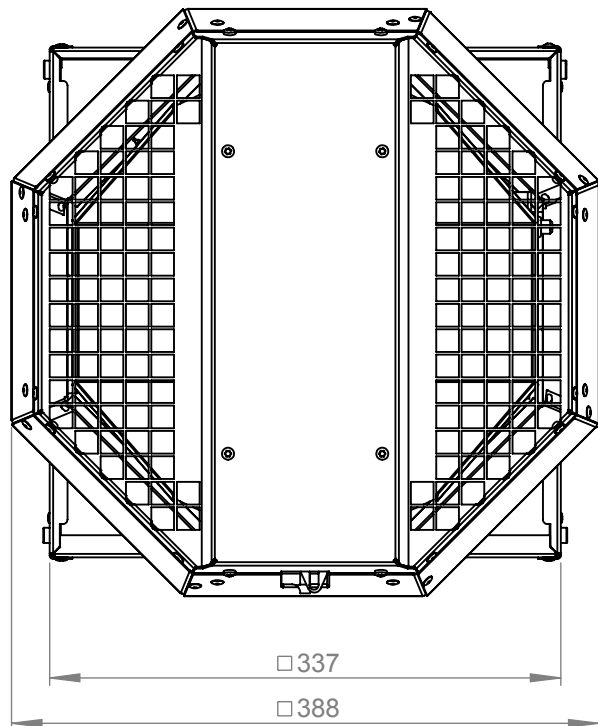
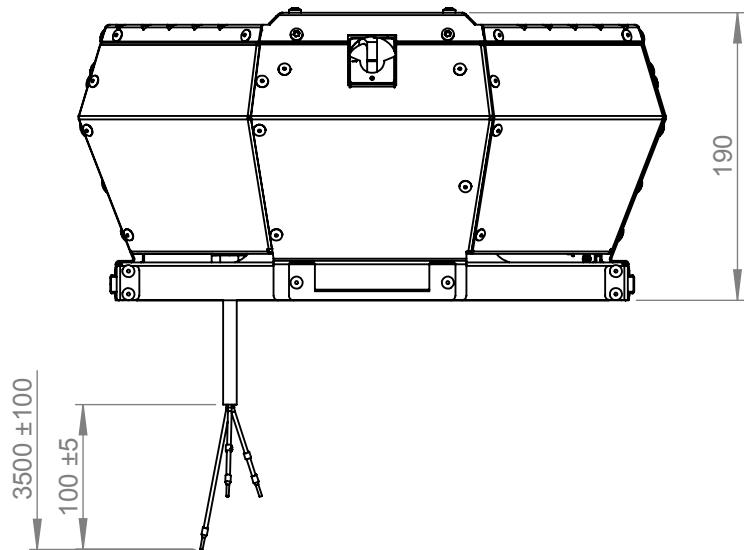
- Backward curved centrifugal fan
- Housing made of aluminium AlMg3
- Speed controllable
- Integrated thermostatic switch
- Swing out design
- With isolator switch

— ErP compliant range

Operating Point		1	2	3	4	5
Current I	A	0,2	0,2	0,2	0,2	0,2
Power consumption P _i	W	17	19	21	20	20
Rotation speed n	1/min	1411	1342	1290	1310	1329
SWL inlet L _{WA5}	dB(A)	55	54	50	52	57
SWL outlet L _{WA6}	dB(A)	56	55	51	54	59
SWL housing break out L _{WA2}	dB(A)	-	-	-	-	-

Sound power (L _W) dB(A)		Medium Frequency Band								
		Σ	63	125	250	500	1k	2k	4k	8k
Inlet	L _{WA5}	50	26	36	40	46	46	40	31	18
Outlet	L _{WA6}	51	31	36	41	47	46	44	31	18
Housing radiation	L _{WA2}	-	-	-	-	-	-	-	-	-

DVA 220 E4P 31 139334	
Voltage U _N	230 V 1~
Current I _{max}	0,2 A
Ambient temperature t _A	80 °C
Conveyed medium temperature t _M	80 °C
Speed Control	V
Motor protection	TAI
Insulation class motor	F
Weight	5,2 kg
Number of poles	4
IP motor	IP33
IP terminal box	-
IP complete unit	IPX4
Min. operating temperature	-25 °C



1:5 A4 mm



ruck Ventilatoren
Max-Planck-Str. 5
D-97944 Boxberg

Protection Mark
according to ISO16016

Drawn: s.pop
Created: s.pop
Changed:

General tolerances
DIN ISO 2768-c

31.03.2017
31.03.2017

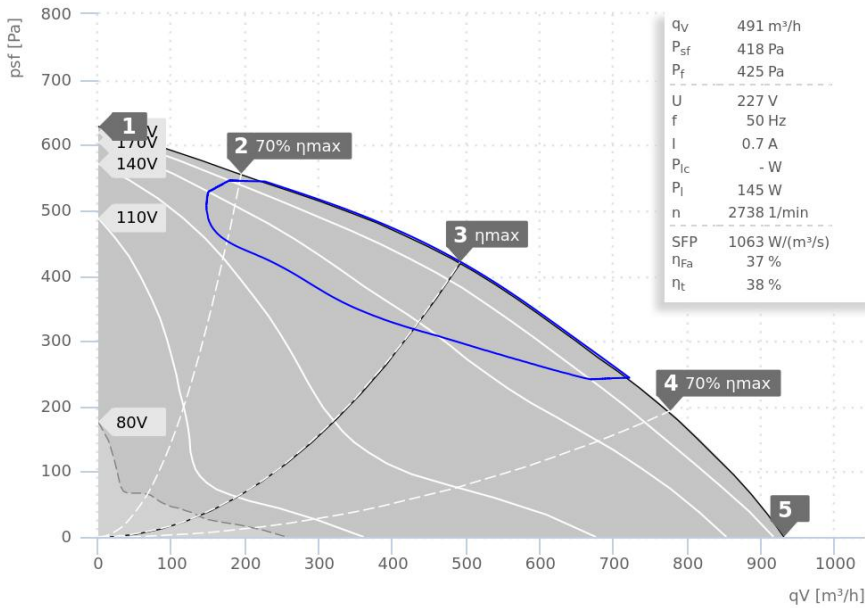
DVA220E4P31

139334 00



DATA SHEET

DVA 225 E2P 31 | 139332



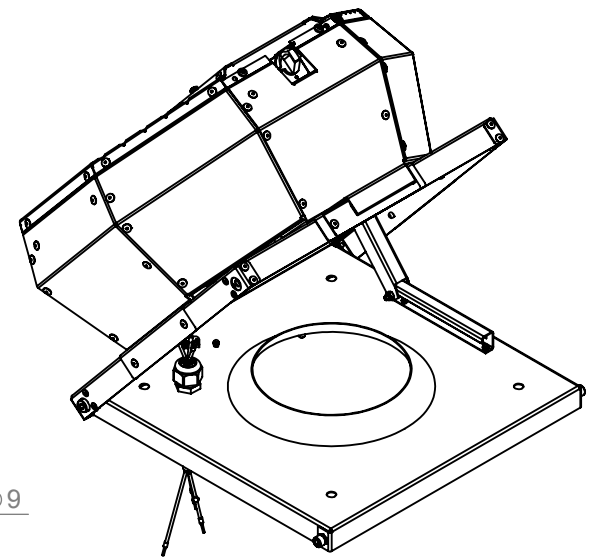
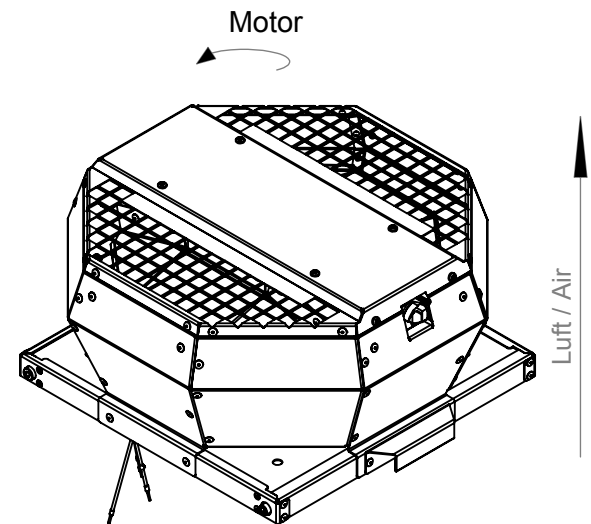
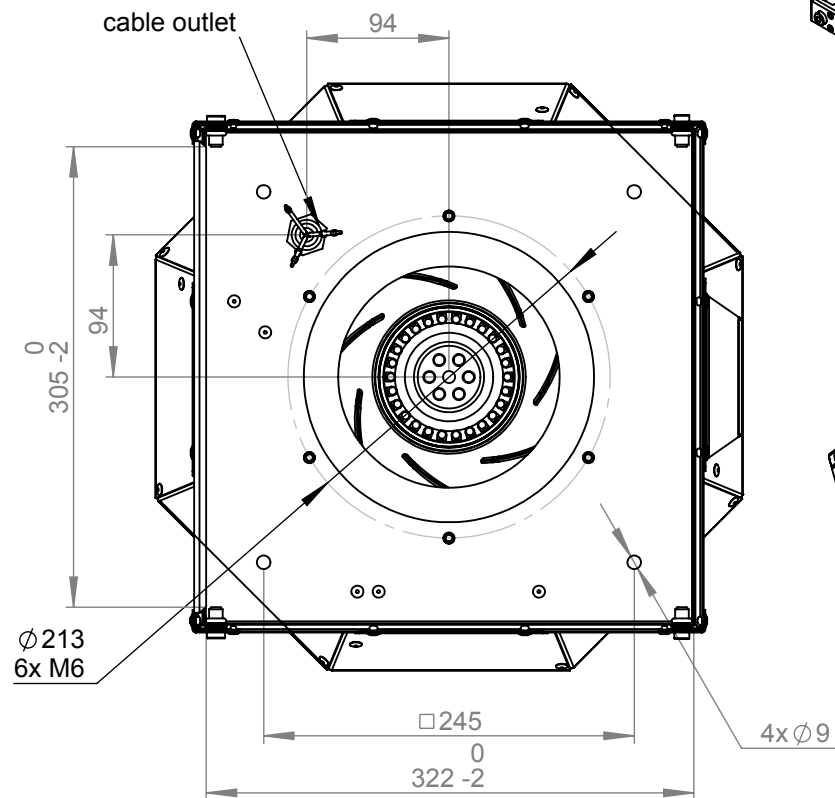
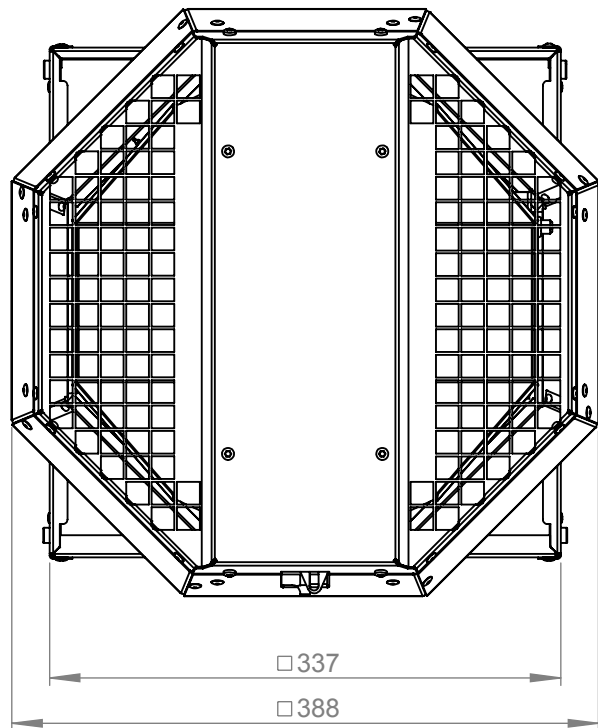
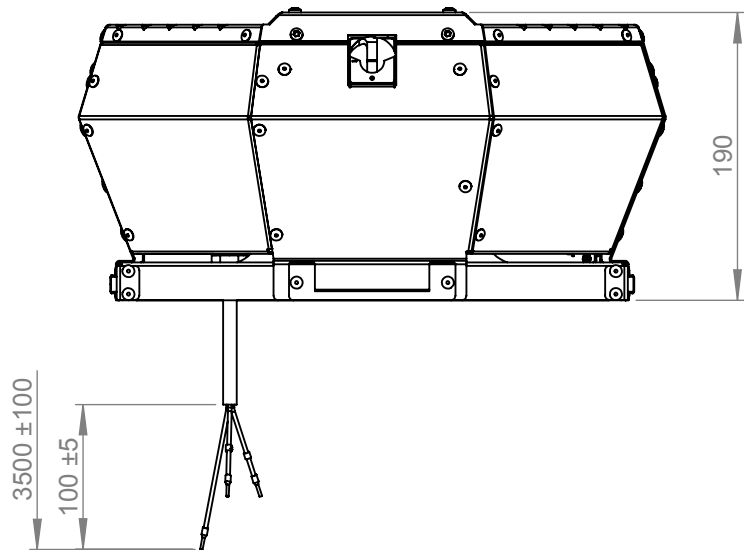
- Backward curved centrifugal fan
- Housing made of aluminium AlMg3
- Speed controllable
- Integrated thermostatic switch
- Swing out design
- With isolator switch

— ErP compliant range

Operating Point		1	2	3	4	5
Current I	A	0,4	0,5	0,7	0,7	0,6
Power consumption P_i	W	84	111	146	150	138
Rotation speed n	1/min	2910	2840	2746	2739	2775
SWL inlet L_{WA5}	dB(A)	72	71	70	72	75
SWL outlet L_{WA6}	dB(A)	74	74	73	75	78
SWL housing break out L_{WA2}	dB(A)	-	-	-	-	-

Sound power (L_W) dB(A)		Medium Frequency Band								
		Σ	63	125	250	500	1k	2k	4k	8k
Inlet	L_{WA5}	69	46	56	59	63	65	61	60	53
Outlet	L_{WA6}	73	47	57	64	67	67	66	61	53
Housing radiation	L_{WA2}	-	-	-	-	-	-	-	-	-

DVA 225 E2P 31 139332	
Voltage U_N	230 V 1~
Current I_{max}	0,9 A
Ambient temperature t_A	60 °C
Conveyed medium temperature t_M	60 °C
Speed Control	V
Motor protection	TMI
Insulation class motor	F
Weight	5,7 kg
Number of poles	2
IP motor	IP33
IP terminal box	-
IP complete unit	IPX4
Min. operating temperature	-25 °C



1:5 A4 mm

ruck^{EU}
VENTILATOREN

ruck Ventilatoren
Max-Planck-Str. 5
D-97944 Boxberg

Protection Mark
according to ISO16016

Drawn: s.pop
Created: s.pop
Changed:

General tolerances
DIN ISO 2768-c

31.03.2017
31.03.2017

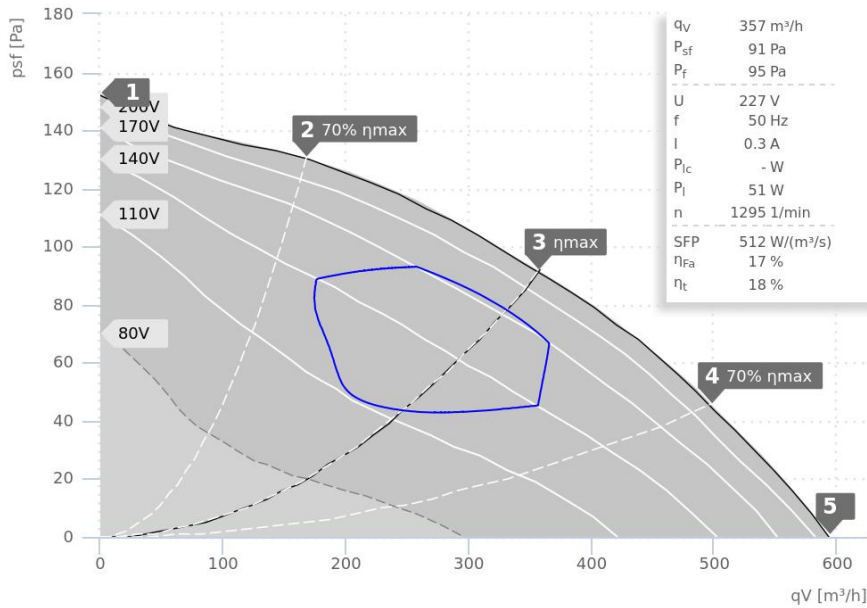
DVA225E2P31

139332 00

VENTAS
VENTILATOREN

DATA SHEET

DVA 250 E4P 31 | 139330



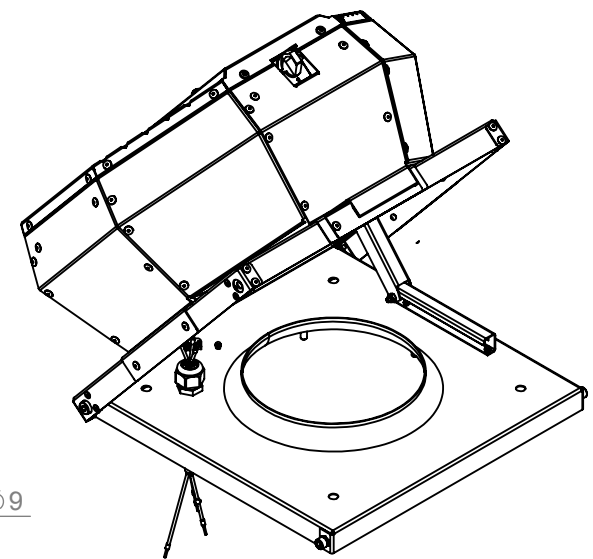
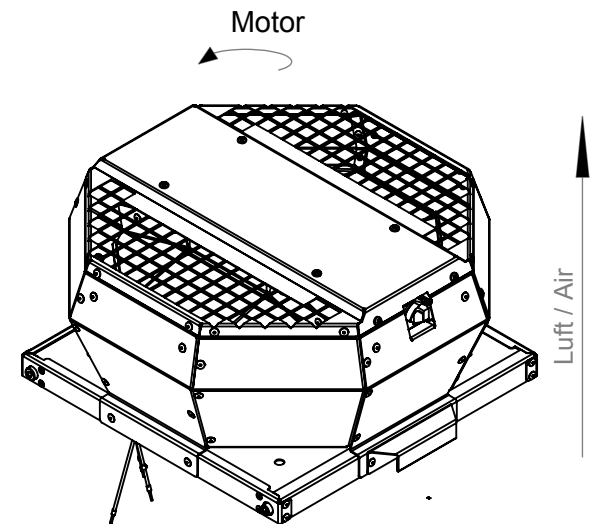
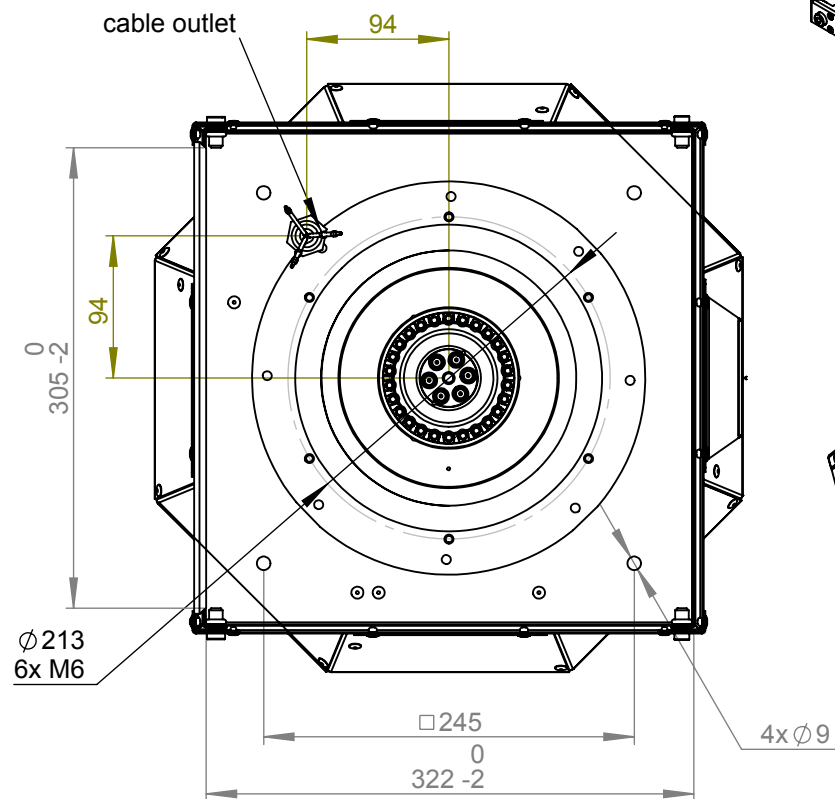
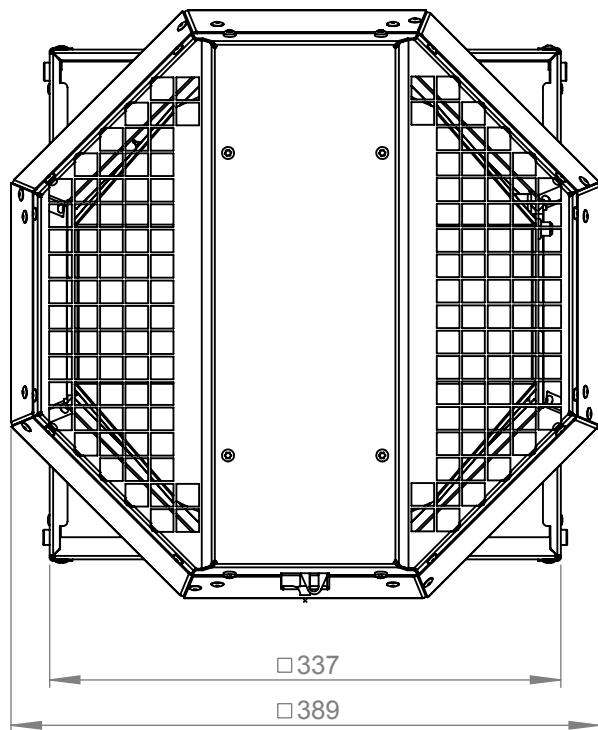
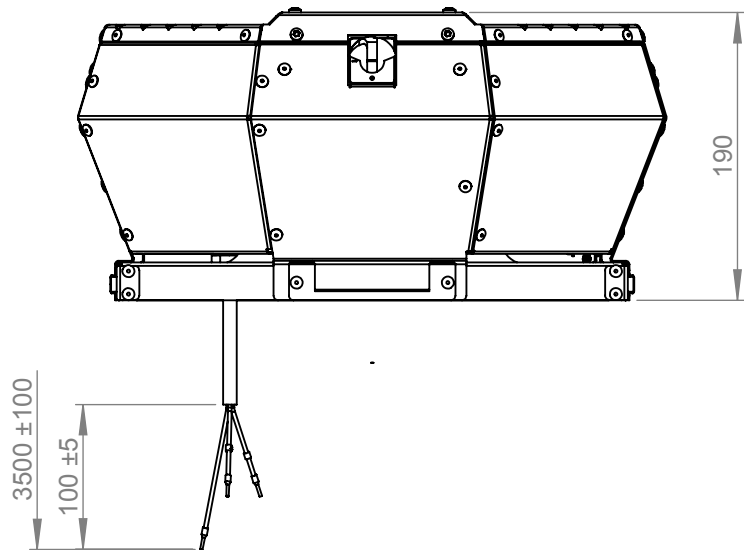
- Backward curved centrifugal fan
- Housing made of aluminium AlMg3
- Speed controllable
- Integrated thermostatic switch
- Swing out design
- With isolator switch

— ErP compliant range

Operating Point		1	2	3	4	5
Current I	A	0,3	0,3	0,3	0,3	0,3
Power consumption P ₁	W	46	50	52	51	49
Rotation speed n	1/min	1397	1336	1300	1316	1339
SWL inlet L _{WA5}	dB(A)	60	60	61	63	65
SWL outlet L _{WA6}	dB(A)	61	61	62	64	66
SWL housing break out L _{WA2}	dB(A)	-	-	-	-	-

Sound power (L _W) dB(A)		Medium Frequency Band								
		Σ	63	125	250	500	1k	2k	4k	8k
Inlet	L _{WA5}	61	24	38	45	51	55	58	48	35
Outlet	L _{WA6}	62	26	43	47	53	55	60	47	35
Housing radiation	L _{WA2}	-	-	-	-	-	-	-	-	-

DVA 250 E4P 31 139330	
Voltage U _N	230 V 1~
Current I _{max}	0,3 A
Ambient temperature t _A	70 °C
Conveyed medium temperature t _M	70 °C
Speed Control	V
Motor protection	TAI
Insulation class motor	F
Weight	5,8 kg
Number of poles	4
IP motor	IP33
IP terminal box	-
IP complete unit	IPX4
Min. operating temperature	-25 °C



ruck Ventilatoren
Max-Planck-Str. 5
D-97944 Boxberg



1:5 A4 mm

Protection Mark
according to ISO16016

General tolerances
DIN ISO 2768-c

Drawn: s.pop
Created: s.pop
Changed:

31.03.2017
31.03.2017

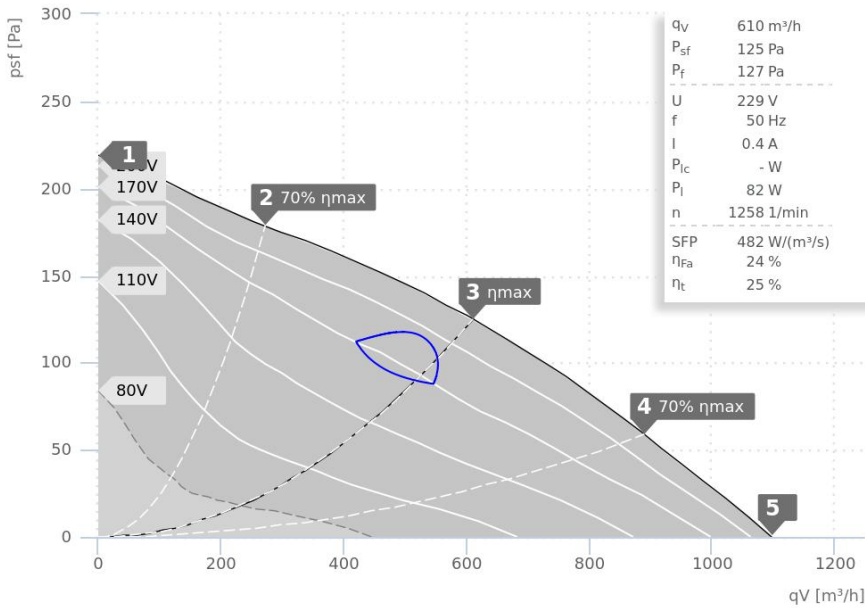
DVA250E4P31

139330 00



DATA SHEET

DVA 280 E4P 31 | 139321



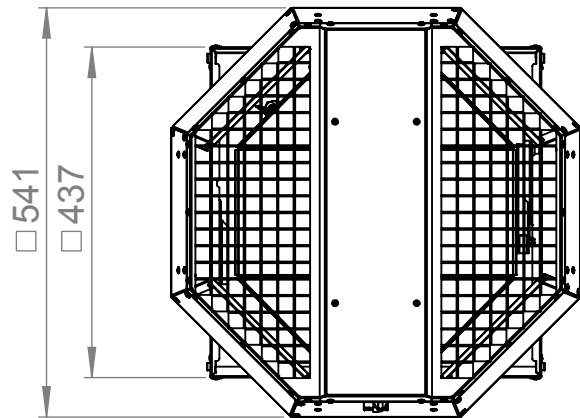
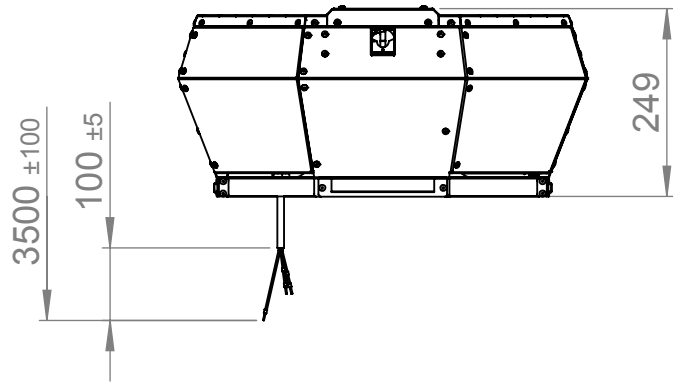
- Backward curved centrifugal fan
- Housing made of aluminium AlMg3
- Speed controllable
- Integrated thermostatic switch
- Swing out design
- With isolator switch

— ErP compliant range

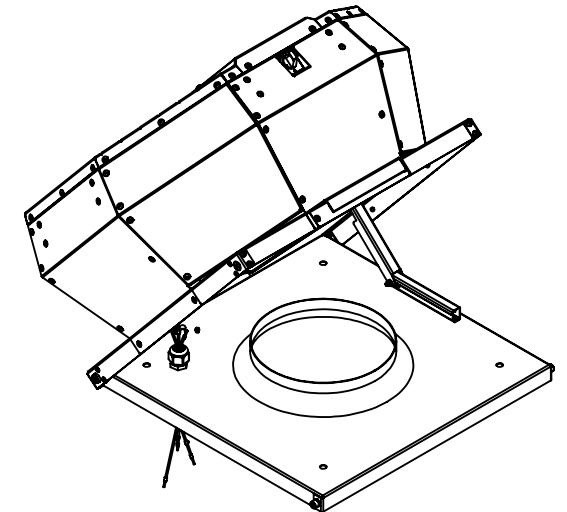
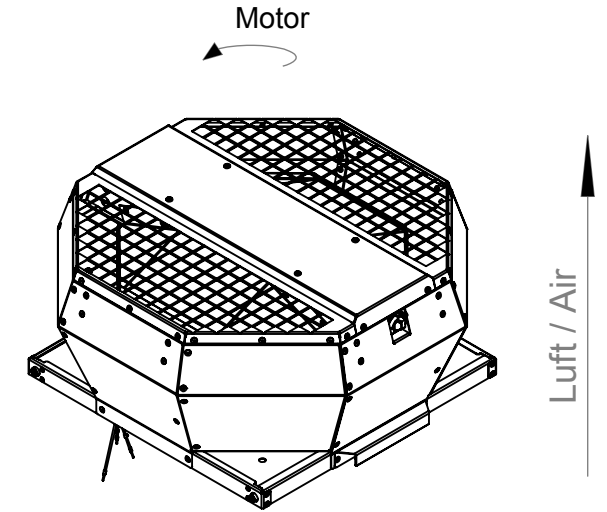
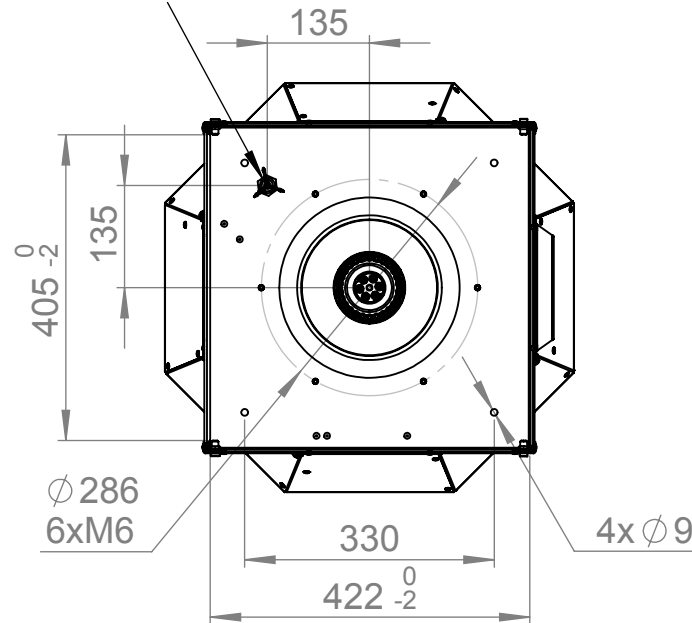
Operating Point		1	2	3	4	5
Current I	A	0,3	0,4	0,4	0,4	0,4
Power consumption P _i	W	67	76	82	80	75
Rotation speed n	1/min	1403	1319	1259	1285	1320
SWL inlet L _{WA5}	dB(A)	60	60	57	60	64
SWL outlet L _{WA6}	dB(A)	64	63	61	65	67
SWL housing break out L _{WA2}	dB(A)	-	-	-	-	-

Sound power (L _W) dB(A)		Medium Frequency Band								
		Σ	63	125	250	500	1k	2k	4k	8k
Inlet	L _{WA5}	57	33	43	48	52	50	49	48	37
Outlet	L _{WA6}	61	34	44	51	57	55	53	48	38
Housing radiation	L _{WA2}	-	-	-	-	-	-	-	-	-

DVA 280 E4P 31 139321	
Voltage U _N	230 V 1~
Current I _{max}	0,4 A
Ambient temperature t _A	70 °C
Conveyed medium temperature t _M	70 °C
Speed Control	V
Motor protection	TAI
Insulation class motor	F
Weight	8,4 kg
Number of poles	4
IP motor	IP33
IP terminal box	IP44
IP complete unit	IPX4
Min. operating temperature	-25 °C



Cable outlet



1:10 A4 mm

ruck^{EU}
VENTILATOREN

ruck Ventilatoren
Max-Planck-Str. 5
D-97944 Boxberg

Protection Mark
according to ISO16016

Drawn: s.pop
Created: s.pop
Changed:

General tolerances
DIN ISO 2768-c

30.03.2017
30.03.2017

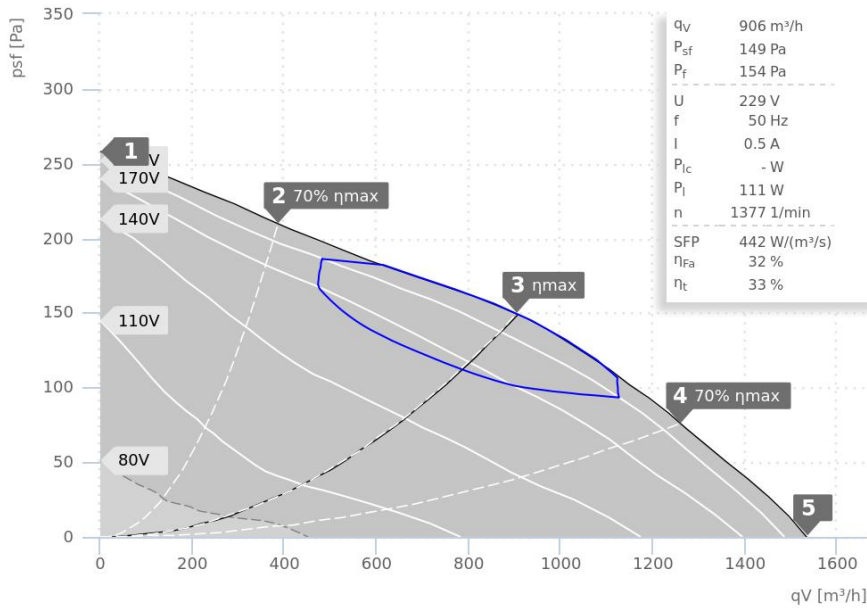
DVA280E4P31

139321 00

VENTAS
VENTILATORER

DATA SHEET

DVA 315 E4P 43 | 156456



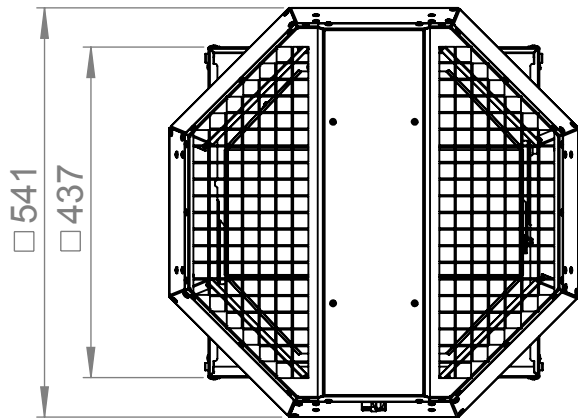
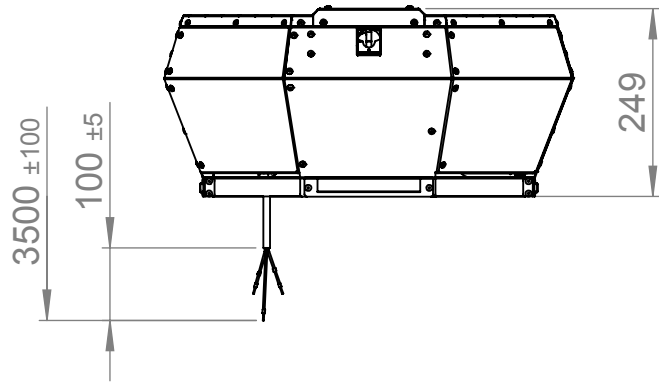
- Backward curved centrifugal fan
- Housing made of aluminium AlMg3
- Speed controllable
- Integrated thermostatic switch
- Swing out design
- With isolator switch

— ErP compliant range

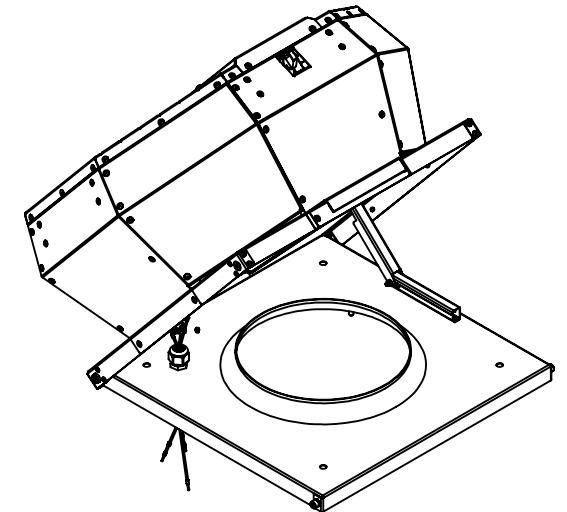
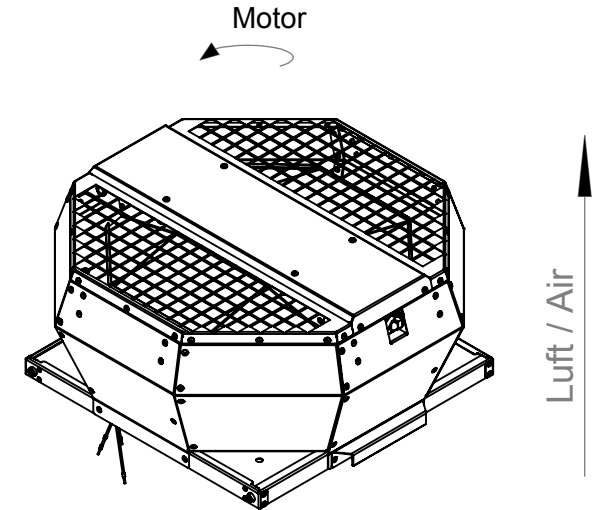
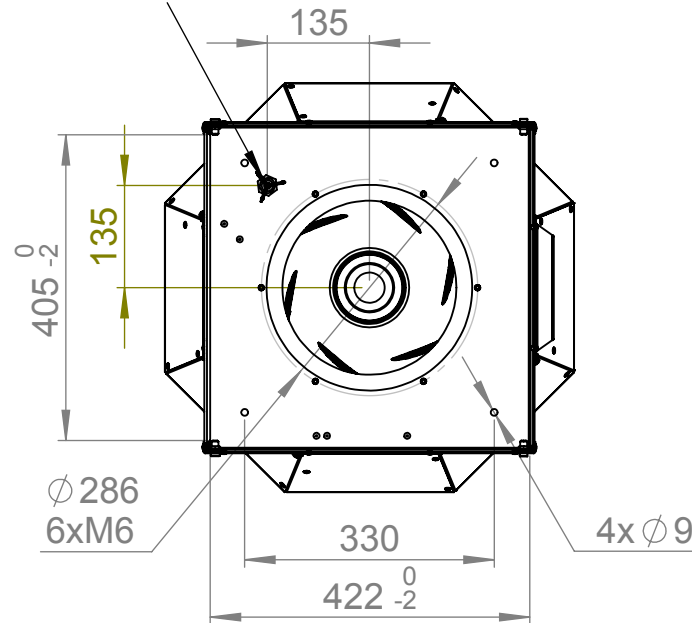
Operating Point		1	2	3	4	5
Current I	A	0,4	0,5	0,5	0,5	0,5
Power consumption P_1	W	83	97	112	113	105
Rotation speed n	1/min	1436	1407	1378	1380	1394
SWL inlet L_{WA5}	dB(A)	64	64	63	64	66
SWL outlet L_{WA6}	dB(A)	67	68	66	68	69
SWL housing break out L_{WA2}	dB(A)	-	-	-	-	-

Sound power (L_W) dB(A)		Medium Frequency Band								
		Σ	63	125	250	500	1k	2k	4k	8k
Inlet	L_{WA5}	63	43	51	54	57	58	57	48	36
Outlet	L_{WA6}	66	43	53	58	61	60	60	49	37
Housing radiation	L_{WA2}	-	-	-	-	-	-	-	-	-

DVA 315 E4P 43 156456	
Voltage U_N	230 V 1~
Current I_{max}	0,6 A
Ambient temperature t_A	70 °C
Conveyed medium temperature t_M	70 °C
Speed Control	V
Motor protection	TAI
Insulation class motor	B
Weight	10,0 kg
Number of poles	4
IP motor	IP44
IP terminal box	-
IP complete unit	-
Min. operating temperature	-25 °C

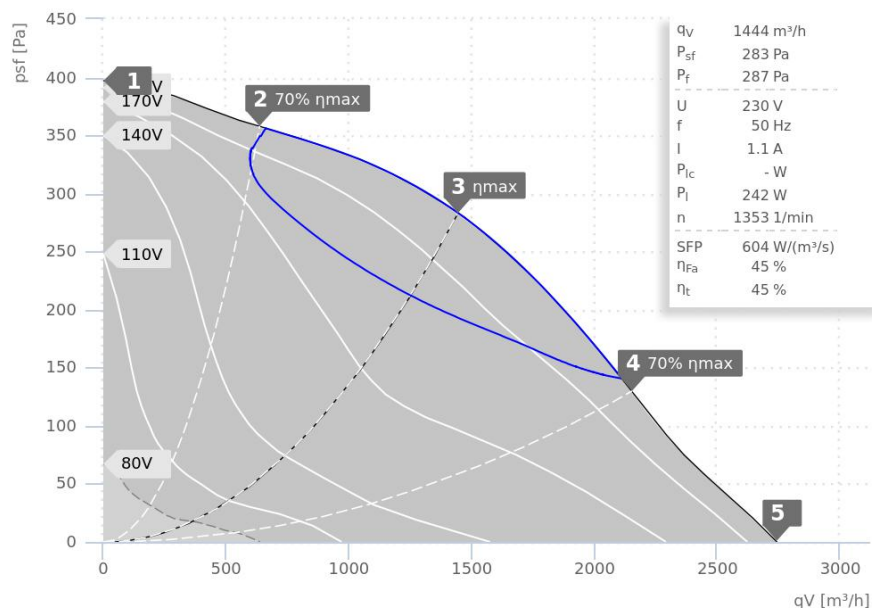


Cable outlet



DATA SHEET

DVA 355 E4P 31 | 139320



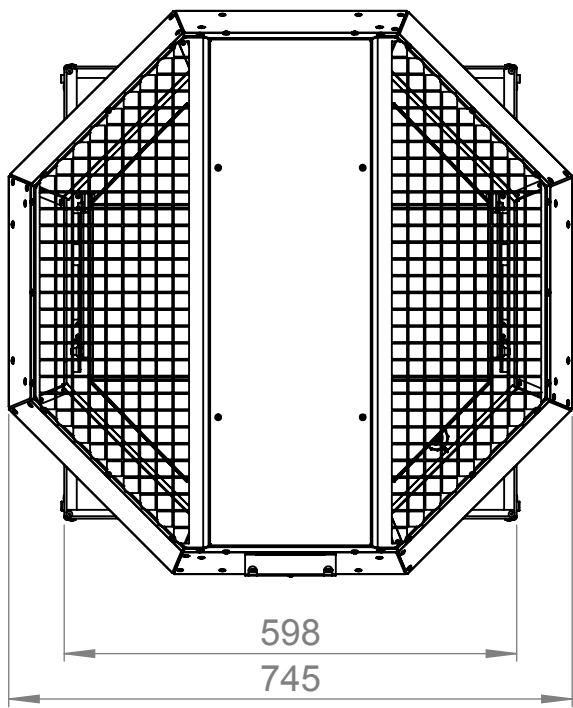
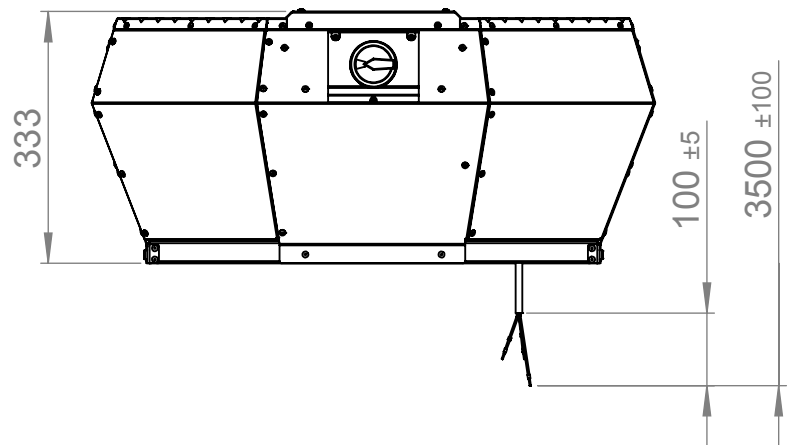
- Backward curved centrifugal fan
- Housing made of aluminium AlMg3
- Speed controllable
- Integrated thermostatic switch
- Swing out design
- With isolator switch

— ErP compliant range

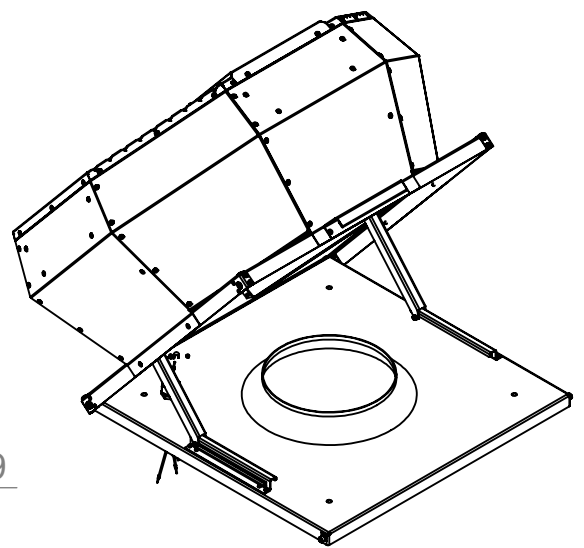
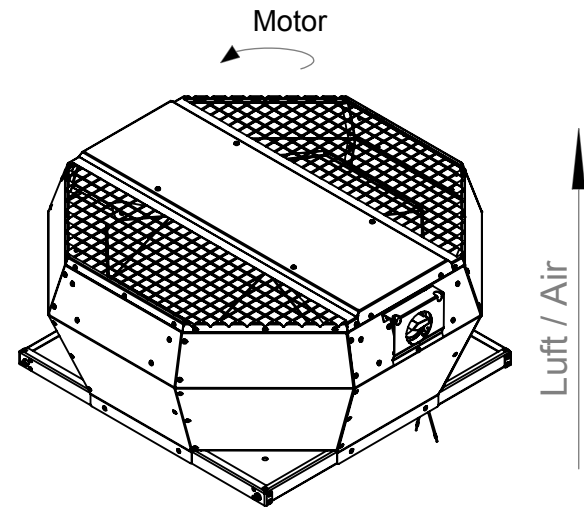
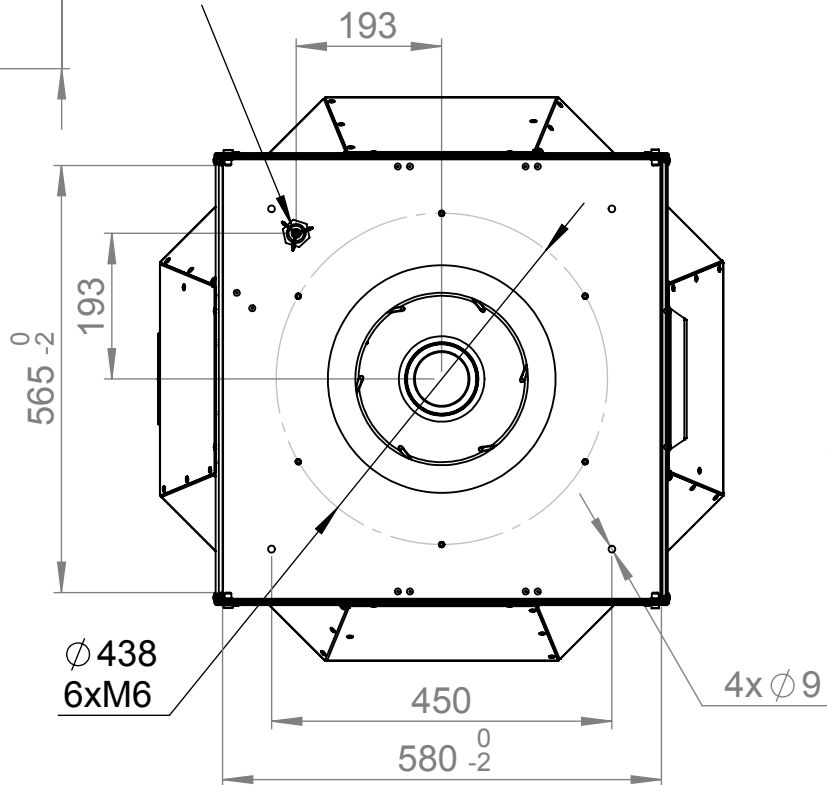
Operating Point		1	2	3	4	5
Current I	A	0,6	0,9	1,1	1,1	1,0
Power consumption P _i	W	131	196	242	235	213
Rotation speed n	1/min	1456	1407	1353	1366	1390
SWL inlet L _{WA5}	dB(A)	67	65	64	69	74
SWL outlet L _{WA6}	dB(A)	69	67	66	71	75
SWL housing break out L _{WA2}	dB(A)	-	-	-	-	-

Sound power (L _W) dB(A)		Medium Frequency Band								
		Σ	63	125	250	500	1k	2k	4k	8k
Inlet	L _{WA5}	64	30	48	52	57	57	61	54	44
Outlet	L _{WA6}	66	36	54	57	59	60	62	54	43
Housing radiation	L _{WA2}	-	-	-	-	-	-	-	-	-

DVA 355 E4P 31 139320	
Voltage U _N	230 V 1~
Current I _{max}	1,3 A
Ambient temperature t _A	45 °C
Conveyed medium temperature t _M	45 °C
Speed Control	V
Motor protection	TAI
Insulation class motor	F
Weight	16,5 kg
Number of poles	4
IP motor	IP44
IP terminal box	IP44
IP complete unit	IPX4
Min. operating temperature	-25 °C



Cable outlet



ruck Ventilatoren
Max-Planck-Str. 5
D-97944 Boxberg



1:10 A4 mm

Protection Mark
according to ISO16016

General tolerances
DIN ISO 2768-c

DVA355E4P31

Drawn: a.ganea
Created: a.ganea
Changed:

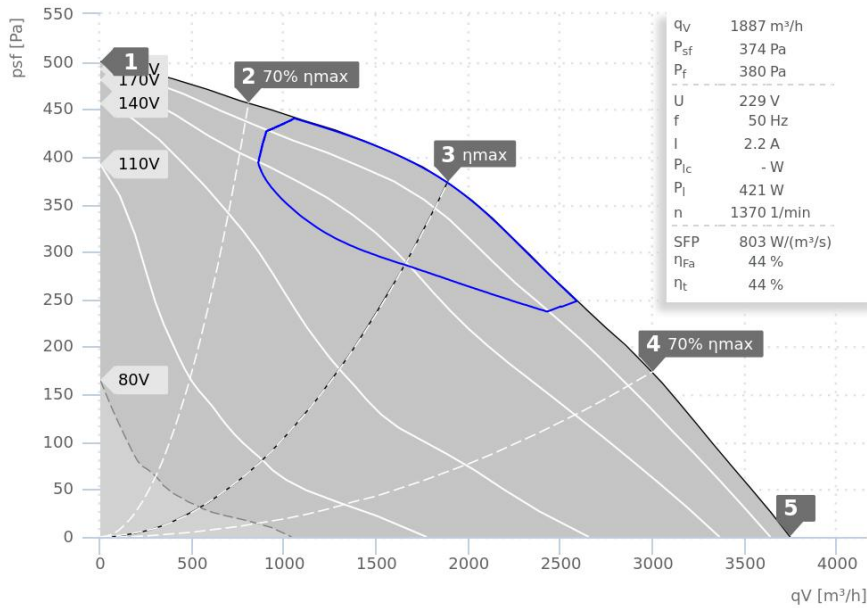
30.03.2017
30.03.2017

139320 00



DATA SHEET

DVA 400 E4P 31 | 139317



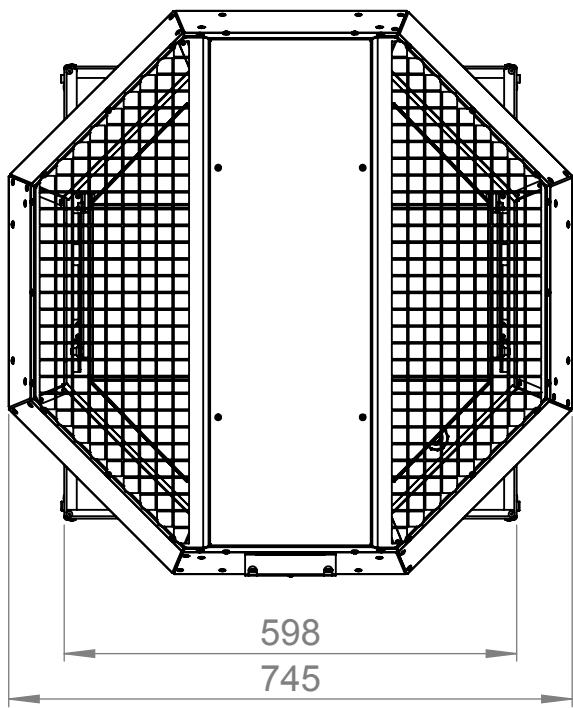
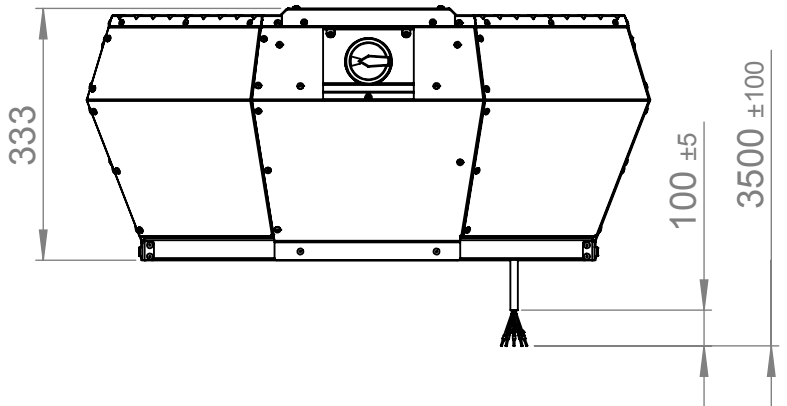
- Backward curved centrifugal fan
- Housing made of aluminium AlMg3
- Speed controllable
- Integrated thermostatic switch
- Swing out design
- With isolator switch

— ErP compliant range

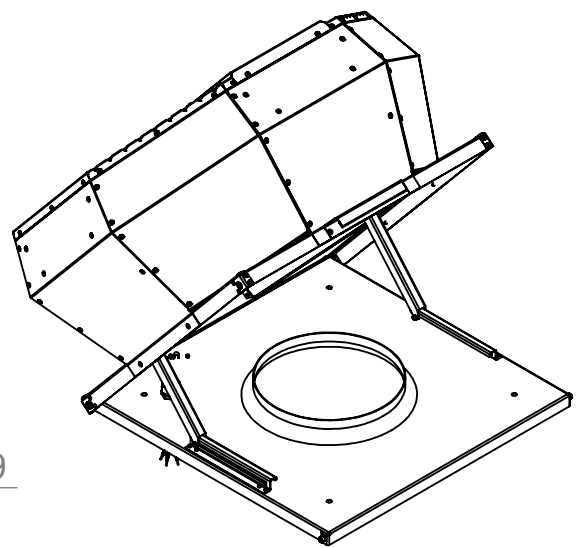
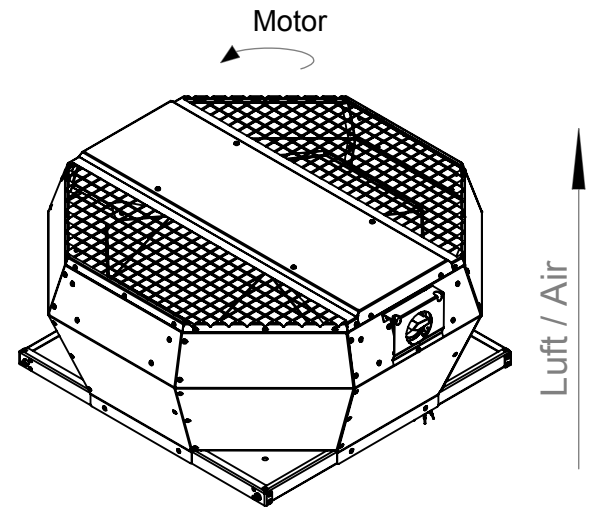
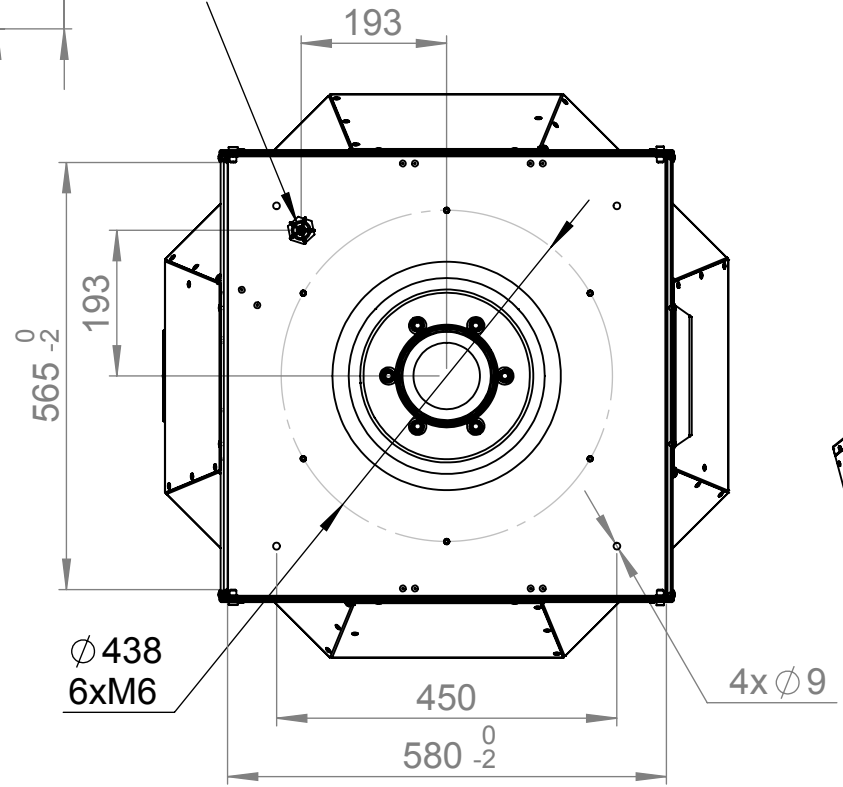
Operating Point		1	2	3	4	5
Current I	A	1,5	1,8	2,2	2,2	2,1
Power consumption P _i	W	222	321	420	442	404
Rotation speed n	1/min	1456	1416	1368	1365	1385
SWL inlet L _{WA5}	dB(A)	73	74	67	72	75
SWL outlet L _{WA6}	dB(A)	74	73	71	76	79
SWL housing break out L _{WA2}	dB(A)	-	-	-	-	-

Sound power (L _W) dB(A)		Medium Frequency Band								
		Σ	63	125	250	500	1k	2k	4k	8k
Inlet	L _{WA5}	67	37	56	57	61	60	62	57	46
Outlet	L _{WA6}	71	40	62	63	65	65	64	59	48
Housing radiation	L _{WA2}	-	-	-	-	-	-	-	-	-

DVA 400 E4P 31 139317	
Voltage U _N	230 V 1~
Current I _{max}	2,6 A
Ambient temperature t _A	65 °C
Conveyed medium temperature t _M	65 °C
Speed Control	V
Motor protection	TAO
Insulation class motor	F
Weight	19,5 kg
Number of poles	4
IP motor	IP54
IP terminal box	IP44
IP complete unit	IPX4
Min. operating temperature	-25 °C



Cable outlet



ruck Ventilatoren
Max-Planck-Str. 5
D-97944 Boxberg



1:10 A4 mm

Protection Mark
according to ISO16016

General tolerances
DIN ISO 2768-c

DVA400E4P31

Drawn: a.ganea
Created: a.ganea
Changed:

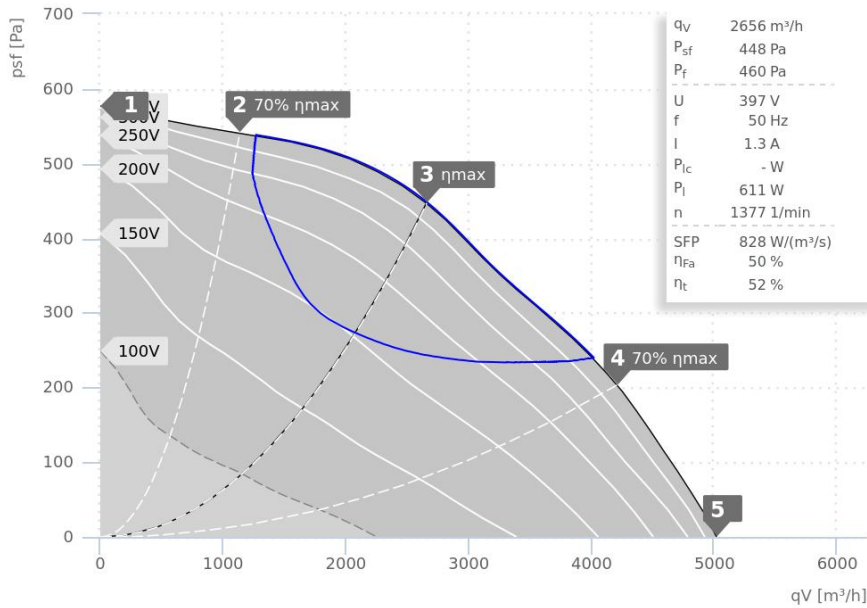
30.03.2017
30.03.2017

139317 00



DATA SHEET

DVA 450 D4P 31 | 139310



SALE OUT

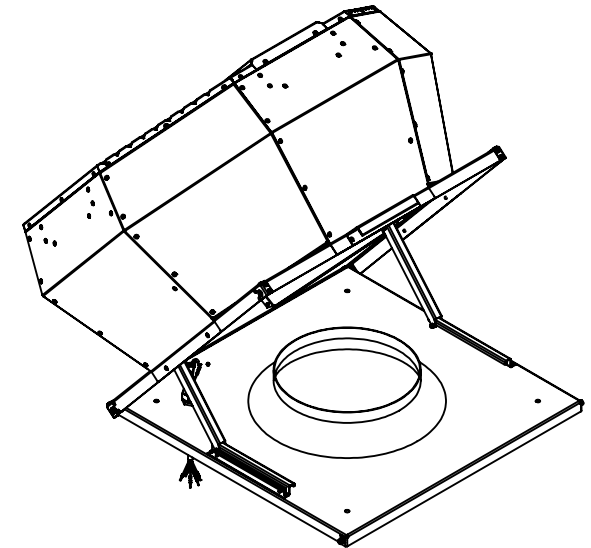
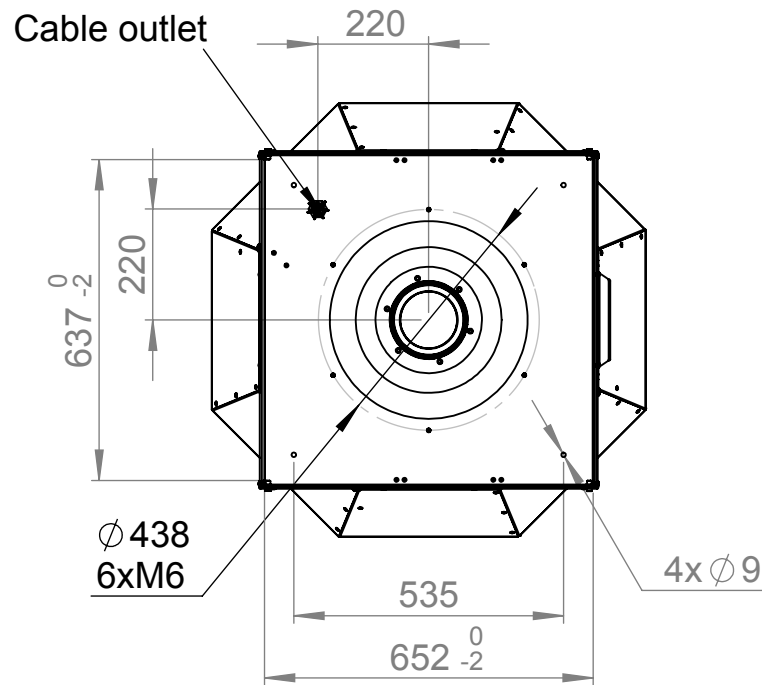
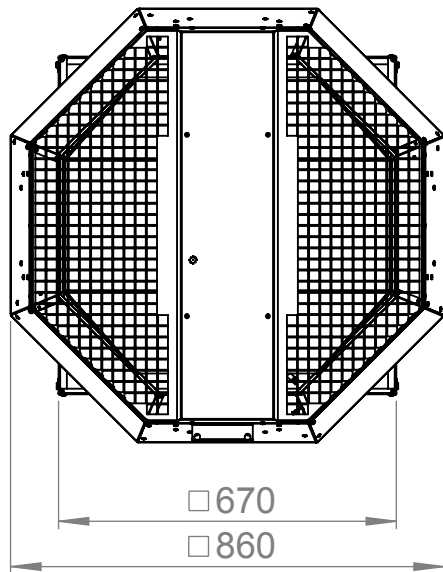
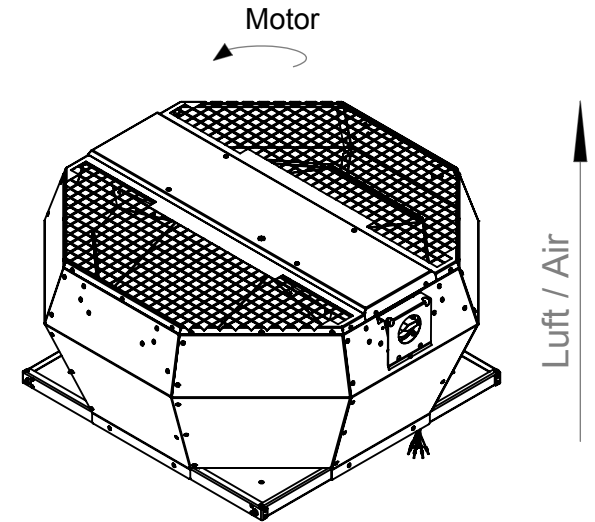
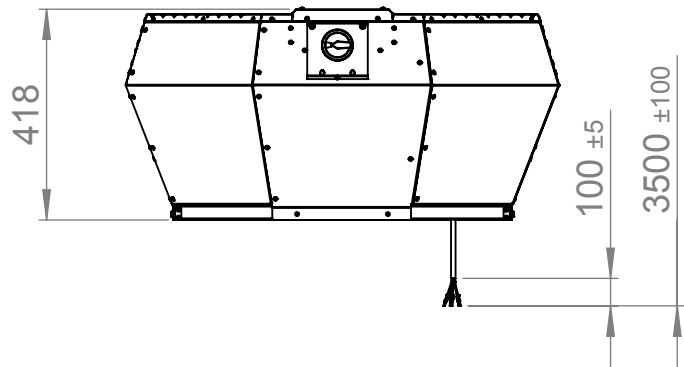
- Backward curved centrifugal fan
- Housing made of aluminium AlMg3
- Speed controllable
- Integrated thermostatic switch
- Swing out design
- With isolator switch

— ErP compliant range

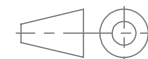
Operating Point		1	2	3	4	5
Current I	A	0,8	1,1	1,3	1,3	1,2
Power consumption P _i	W	245	458	613	630	521
Rotation speed n	1/min	1444	1411	1380	1379	1404
SWL inlet L _{WA5}	dB(A)	74	74	72	75	79
SWL outlet L _{WA6}	dB(A)	77	77	75	78	82
SWL housing break out L _{WA2}	dB(A)	-	-	-	-	-

Sound power (L _W) dB(A)		Medium Frequency Band								
		Σ	63	125	250	500	1k	2k	4k	8k
Inlet	L _{WA5}	72	44	57	62	67	65	64	60	52
Outlet	L _{WA6}	75	46	59	67	68	70	68	63	54
Housing radiation	L _{WA2}	-	-	-	-	-	-	-	-	-

DVA 450 D4P 31 139310	
Voltage U _N	400 V 3~
Current I _{max}	1,5 A
Ambient temperature t _A	60 °C
Conveyed medium temperature t _M	60 °C
Speed Control	V
Motor protection	TAO
Insulation class motor	F
Weight	27,8 kg
Number of poles	4
IP motor	IP54
IP terminal box	IP44
IP complete unit	IPX4
Min. operating temperature	-30 °C



ruck Ventilatoren
Max-Planck-Str. 5
D-97944 Boxberg



1:15 A4 mm

Protection Mark
according to ISO16016

General tolerances
DIN ISO 2768-c

DVA450D4P31

Drawn: a.ganea
Created: a.ganea
Changed:

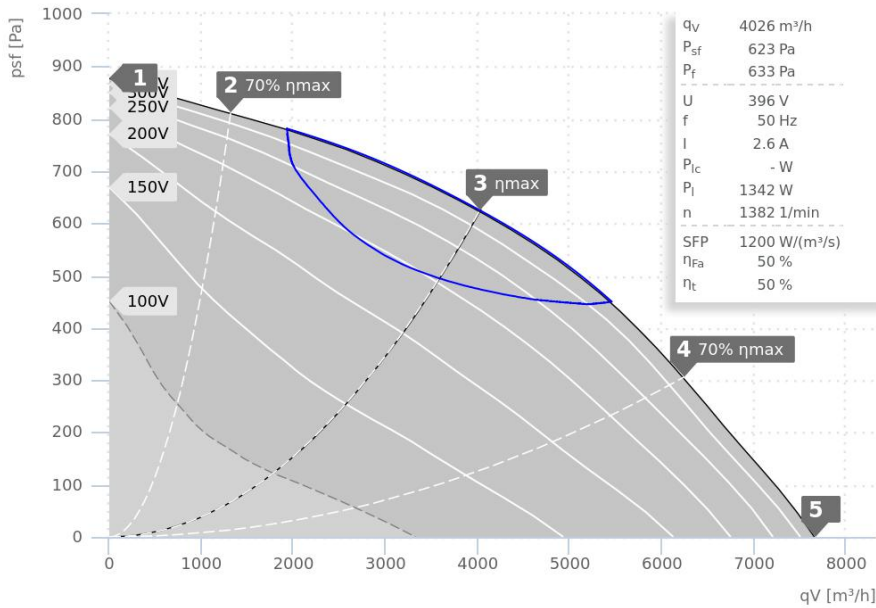
29.03.2017
29.03.2017

139310 00



DATA SHEET

DVA 500 D4P 31 | 139304



SALE OUT

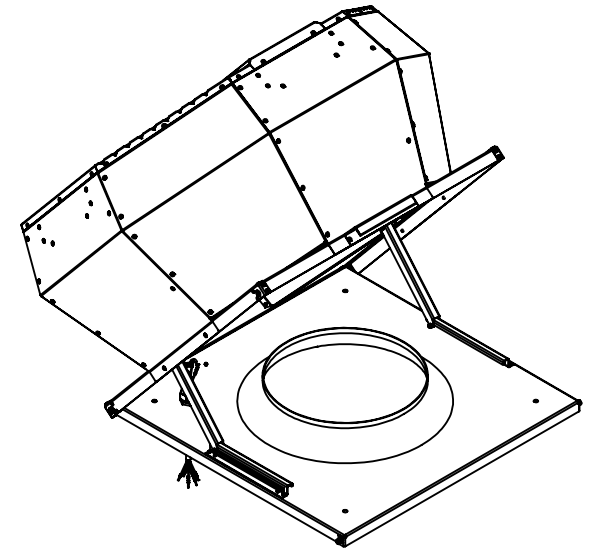
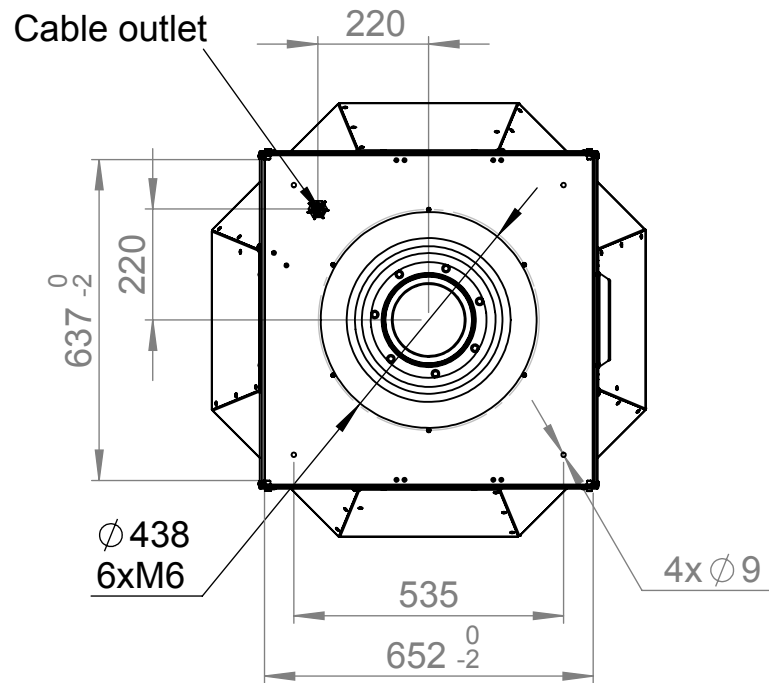
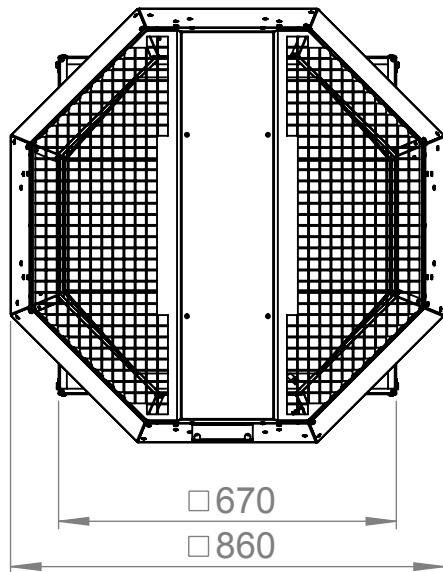
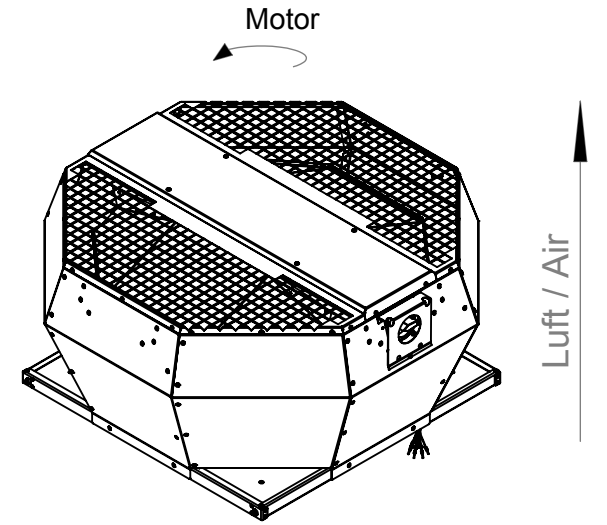
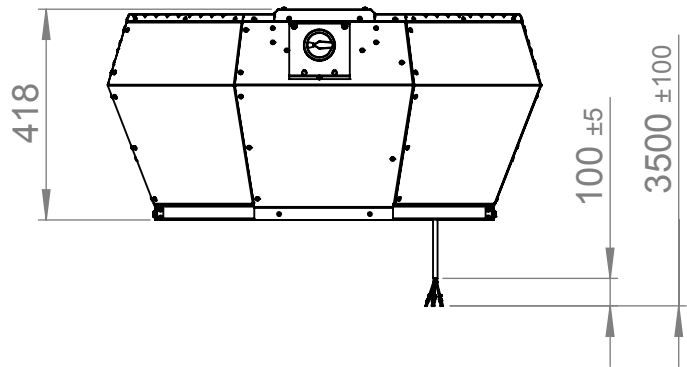
- Backward curved centrifugal fan
- Housing made of aluminium AlMg3
- Speed controllable
- Integrated thermostatic switch
- Swing out design
- With isolator switch

— ErP compliant range

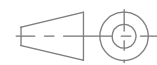
Operating Point		1	2	3	4	5
Current I	A	1,6	2,0	2,6	2,8	2,6
Power consumption P_1	W	465	820	1347	1447	1279
Rotation speed n	1/min	1462	1433	1385	1378	1393
SWL inlet L_{WA5}	dB(A)	82	82	80	85	88
SWL outlet L_{WA6}	dB(A)	81	80	79	83	86
SWL housing break out L_{WA2}	dB(A)	-	-	-	-	-

Sound power (L_W) dB(A)		Medium Frequency Band								
		Σ	63	125	250	500	1k	2k	4k	8k
Inlet	L_{WA5}	80	59	72	73	74	72	73	69	62
Outlet	L_{WA6}	79	53	69	72	74	73	71	66	59
Housing radiation	L_{WA2}	-	-	-	-	-	-	-	-	-

DVA 500 D4P 31 139304	
Voltage U_N	400 V 3~
Current I_{max}	3,4 A
Ambient temperature t_A	55 °C
Conveyed medium temperature t_M	55 °C
Speed Control	V
Motor protection	TAO
Insulation class motor	F
Weight	34,0 kg
Number of poles	4
IP motor	IP54
IP terminal box	IP44
IP complete unit	IPX4
Min. operating temperature	-30 °C



ruck Ventilatoren
Max-Planck-Str. 5
D-97944 Boxberg



1:15 A4 mm

Protection Mark
according to ISO16016

General tolerances
DIN ISO 2768-c

Drawn: a.ganea
Created: a.ganea
Changed: a.ganea

29.03.2017
29.03.2017
29.03.17

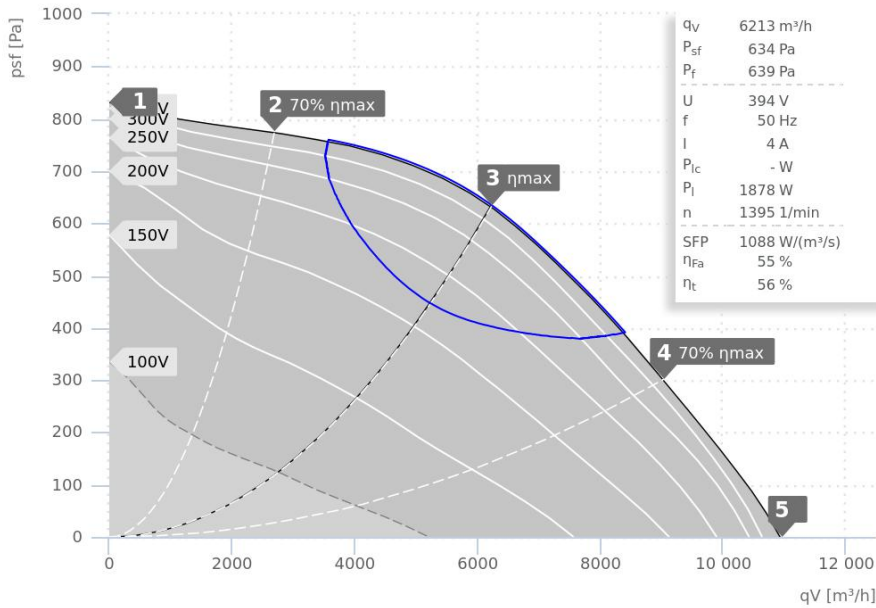
DVA500D4P31

139304 00



DATA SHEET

DVA 560 D4P 31 | 139300



SALE OUT

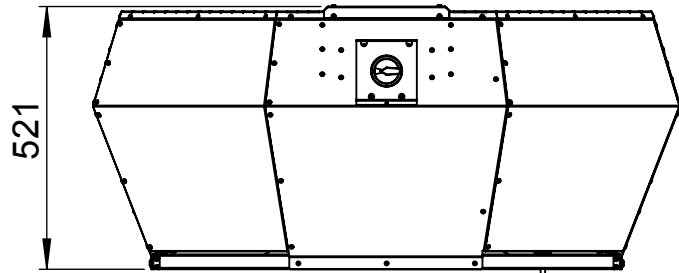
- Backward curved centrifugal fan
- Housing made of aluminium AlMg3
- Speed controllable
- Integrated thermostatic switch
- Swing out design
- With isolator switch

— ErP compliant range

Operating Point		1	2	3	4	5
Current I	A	2,7	3,5	4,0	4,0	3,7
Power consumption P _i	W	864	1455	1888	1852	1581
Rotation speed n	1/min	1452	1422	1399	1402	1416
SWL inlet L _{WA5}	dB(A)	86	84	81	81	84
SWL outlet L _{WA6}	dB(A)	86	84	82	84	86
SWL housing break out L _{WA2}	dB(A)	-	-	-	-	-

Sound power (L _W) dB(A)		Medium Frequency Band								
		Σ	63	125	250	500	1k	2k	4k	8k
Inlet	L _{WA5}	81	58	70	72	75	75	74	71	65
Outlet	L _{WA6}	82	50	72	72	74	77	75	68	61
Housing radiation	L _{WA2}	-	-	-	-	-	-	-	-	-

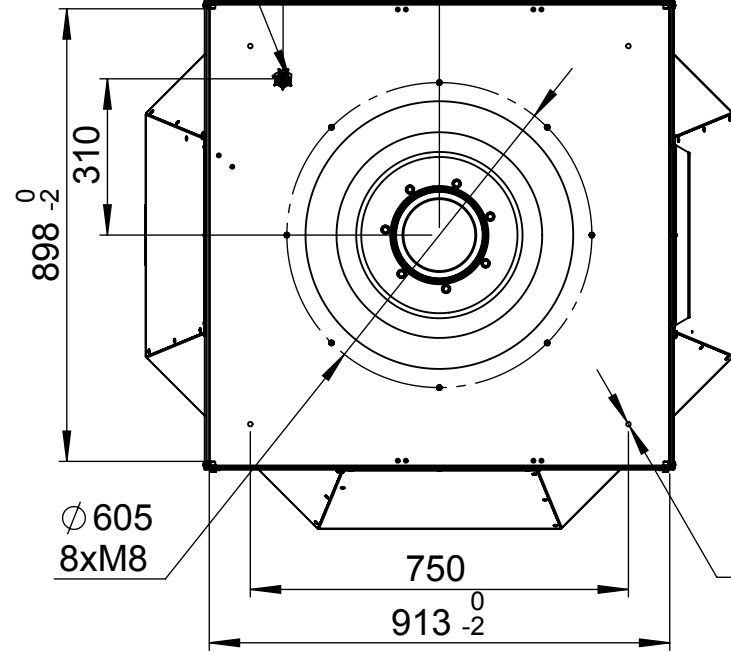
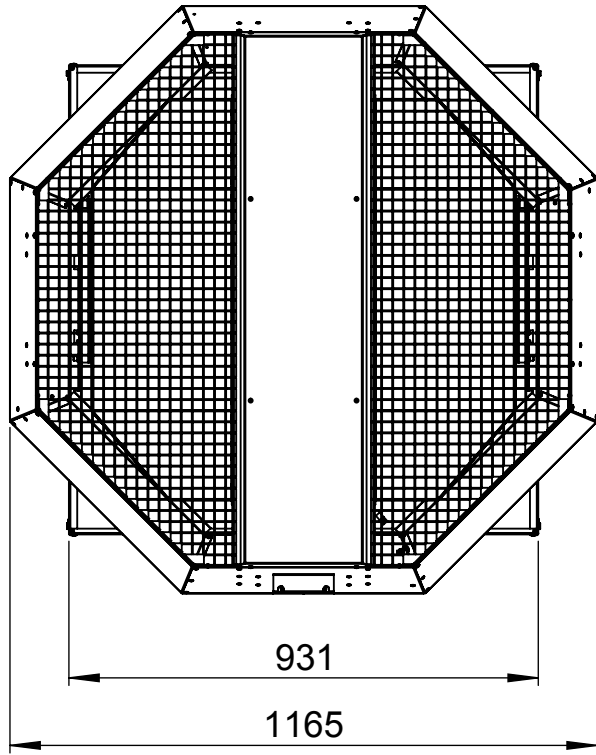
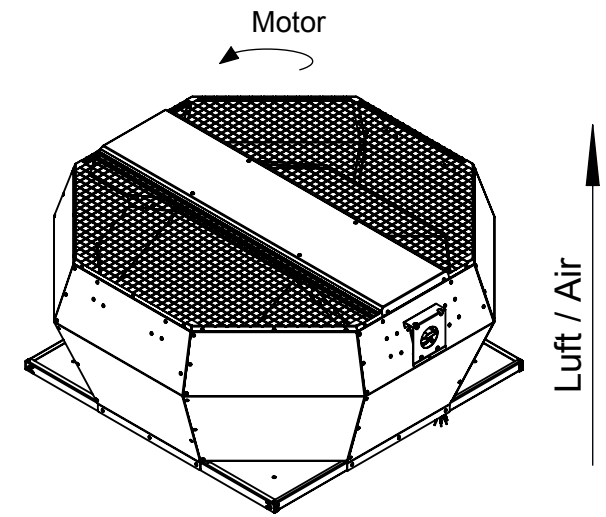
DVA 560 D4P 31 139300	
Voltage U _N	400 V 3~
Current I _{max}	4,8 A
Ambient temperature t _A	60 °C
Conveyed medium temperature t _M	60 °C
Speed Control	V
Motor protection	TAE
Insulation class motor	F
Weight	53,5 kg
Number of poles	4
IP motor	IP54
IP terminal box	IP44
IP complete unit	IPX4
Min. operating temperature	-30 °C



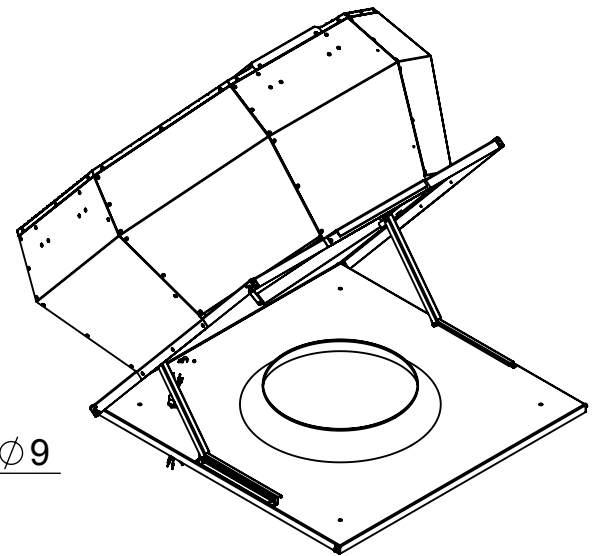
100 ±5
3500 ±100

Cable outlet

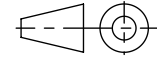
310



4x Ø9



ruck Ventilatoren
Max-Planck-Str. 5
D-97944 Boxberg



Protection Mark
according to ISO16016

Drawn: a.ganea
Created: a.ganea
Changed: a.mezei

1:15 A4 mm

General tolerances
DIN ISO 2768-c

DVA560D4P31

139300 00

