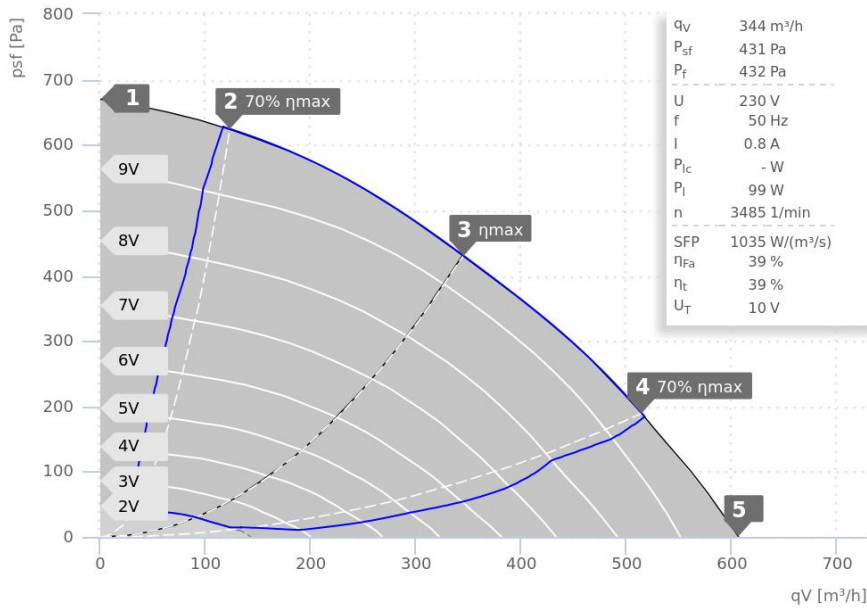


# DATA SHEET

## DVA 190 EC 30 | 131285



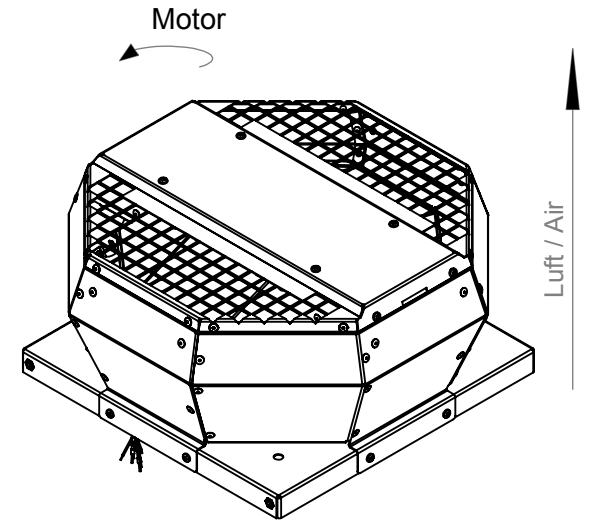
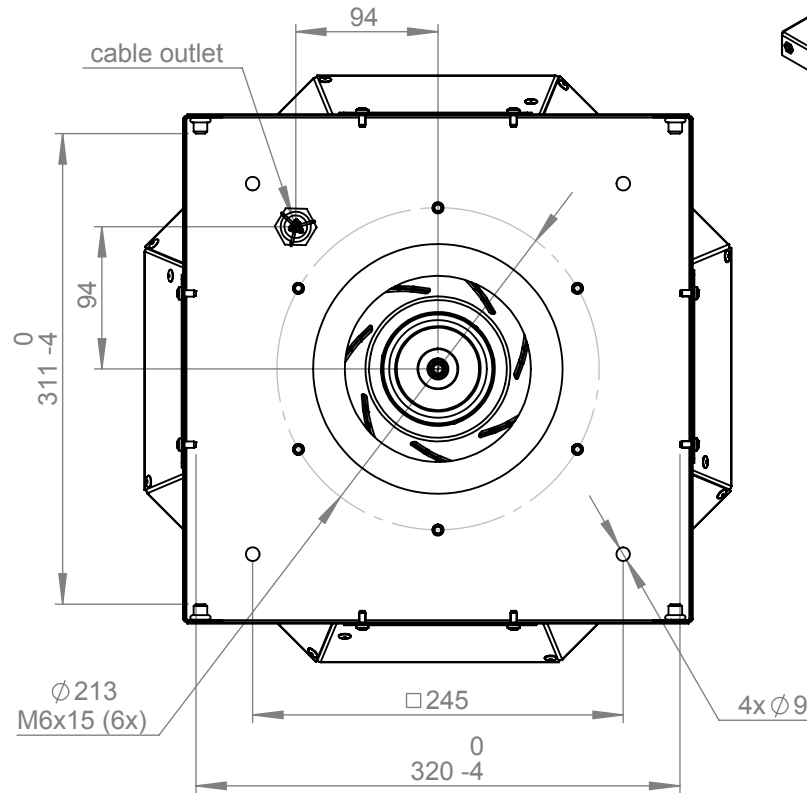
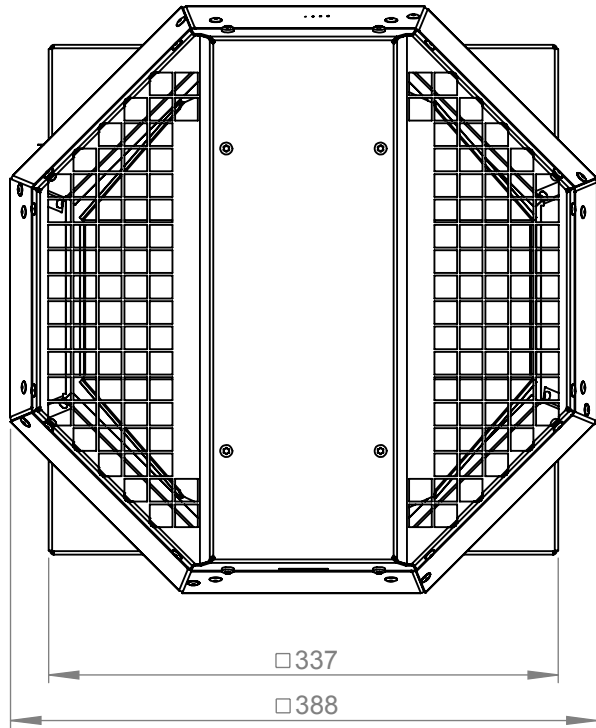
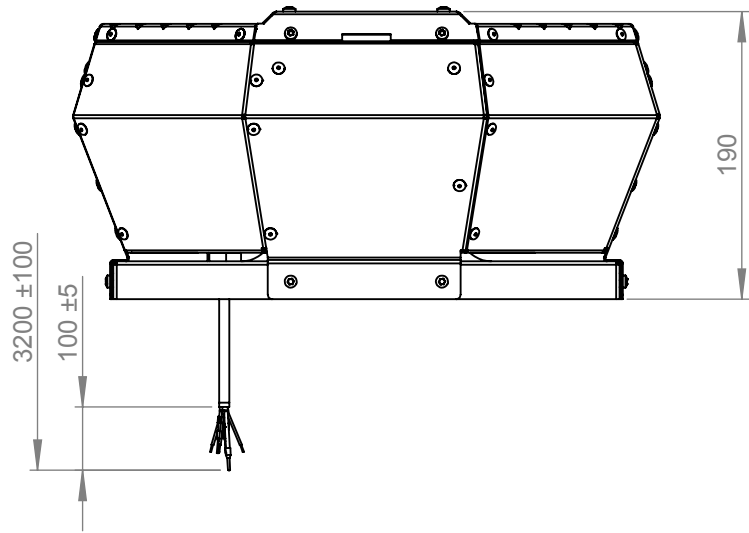
- Backward curved centrifugal fan
- EC motor
- Integrated electronic
- Internal electronic temperature monitoring
- Housing made of aluminium AIMg3

— ErP compliant range

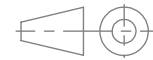
Operating Point		1	2	3	4	5
Current I	A	0,5	0,6	0,8	0,7	0,6
Power consumption P <sub>i</sub>	W	52	77	99	92	80
Rotation speed n	1/min	3626	3615	3487	3566	3615
SWL inlet L <sub>WA5</sub>	dB(A)	76	75	75	77	78
SWL outlet L <sub>WA6</sub>	dB(A)	77	77	76	78	79
SWL housing break out L <sub>WA2</sub>	dB(A)	-	-	-	-	-

Sound power (L <sub>W</sub> ) dB(A)		Medium Frequency Band								
		Σ	63	125	250	500	1k	2k	4k	8k
Inlet	L <sub>WA5</sub>	75	41	54	59	67	70	69	68	58
Outlet	L <sub>WA6</sub>	75	42	55	62	69	70	71	66	57
Housing radiation	L <sub>WA2</sub>	-	-	-	-	-	-	-	-	-

DVA 190 EC 30   131285	
Voltage U <sub>N</sub>	230 V 1~
Current I <sub>max</sub>	0,8 A
Ambient temperature t <sub>A</sub>	60 °C
Conveyed medium temperature t <sub>M</sub>	60 °C
Speed Control	0-10V
Motor protection	TEC
Insulation class motor	F
Weight	4,5 kg
Number of poles	-
IP motor	IP54
IP terminal box	IP44
IP complete unit	IPX4
Min. operating temperature	-30 °C



**ruck**<sup>eu</sup>  
VENTILATOREN  
ruck Ventilatoren  
Max-Planck-Str. 5  
D-97944 Boxberg



Protection Mark  
according to ISO 16016  
Created I.benk  
Drawn I.benk  
Released v.brand  
Disabled

1:5 A4 mm

General tolerances  
DIN ISO 2768-c

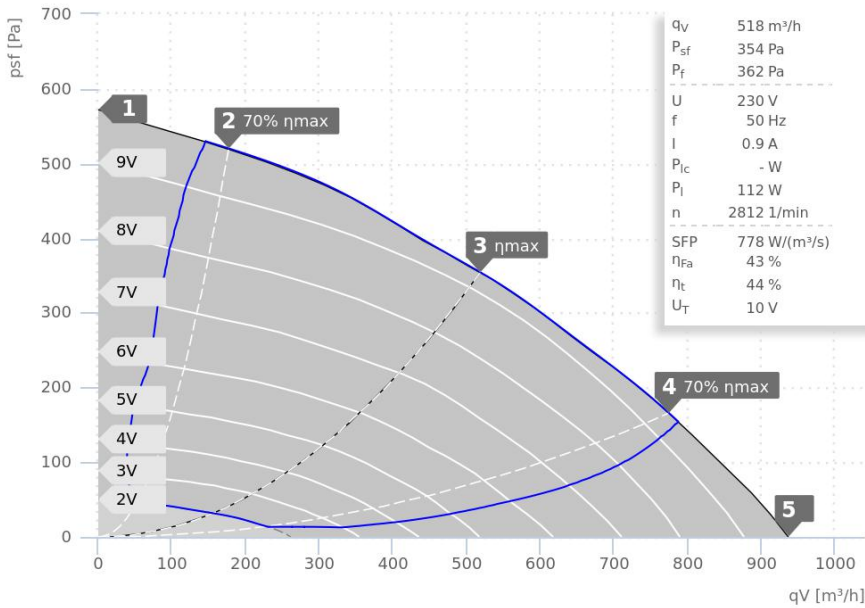
**DVA190EC30+**

**131285 00**

**VENTAS**  
VENTILATORER

# DATA SHEET

## DVA 220 EC 30 | 131288



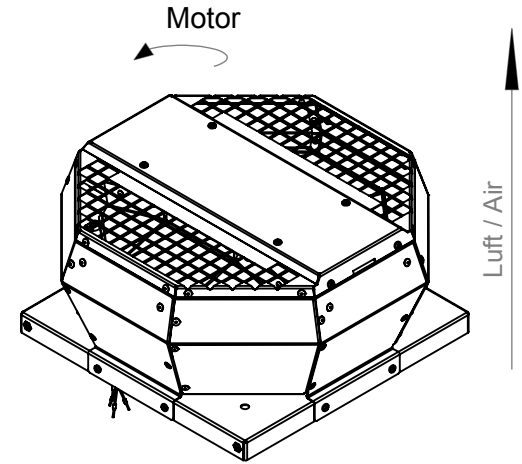
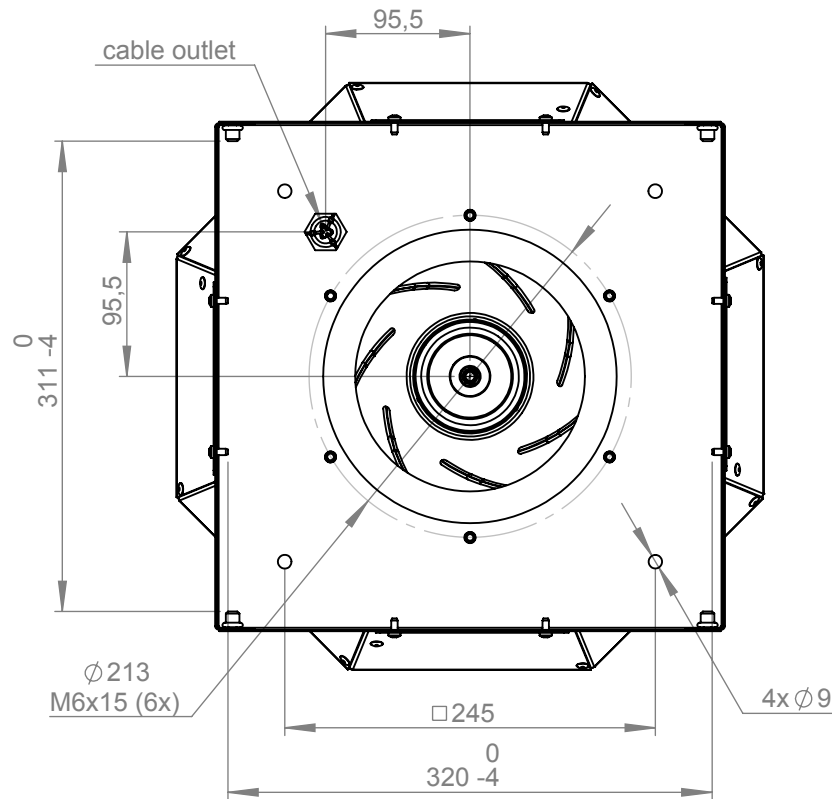
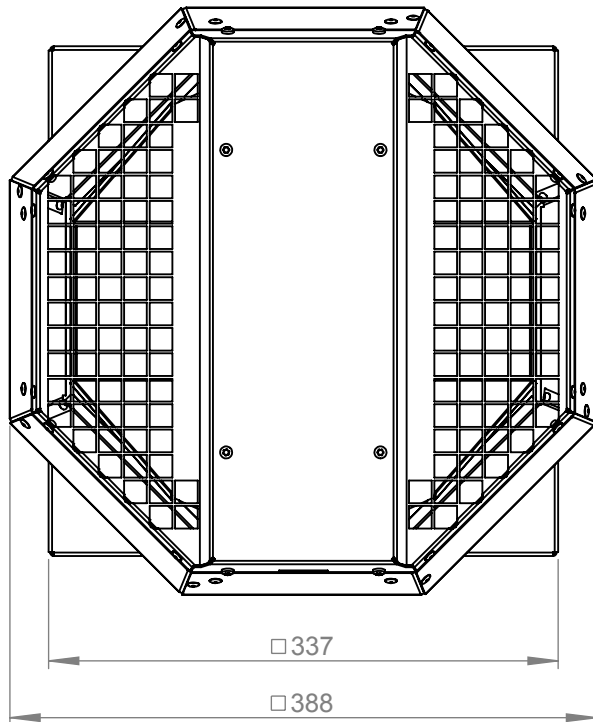
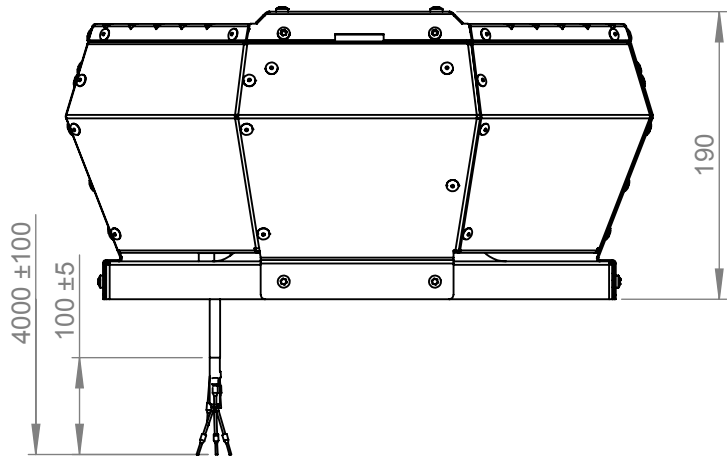
- Backward curved centrifugal fan
- EC motor
- Integrated electronic
- Internal electronic temperature monitoring
- Housing made of aluminium AIMg3

— ErP compliant range

Operating Point		1	2	3	4	5
Current $I$	A	0,4	0,7	0,9	0,8	0,8
Power consumption $P_1$	W	50	82	112	110	98
Rotation speed $n$	1/min	2934	2935	2814	2860	2917
SWL inlet $L_{WA5}$	dB(A)	74	72	69	69	73
SWL outlet $L_{WA6}$	dB(A)	75	74	70	72	76
SWL housing break out $L_{WA2}$	dB(A)	-	-	-	-	-

Sound power ( $L_W$ ) dB(A)		Medium Frequency Band								
		$\Sigma$	63	125	250	500	1k	2k	4k	8k
Inlet	$L_{WA5}$	69	42	52	58	63	63	60	61	50
Outlet	$L_{WA6}$	70	42	53	60	65	65	64	59	49
Housing radiation	$L_{WA2}$	-	-	-	-	-	-	-	-	-

DVA 220 EC 30   131288	
Voltage $U_N$	230 V 1~
Current $I_{max}$	0,9 A
Ambient temperature $t_A$	60 °C
Conveyed medium temperature $t_M$	60 °C
Speed Control	0-10V
Motor protection	TEC
Insulation class motor	F
Weight	4,9 kg
Number of poles	-
IP motor	IP54
IP terminal box	IP44
IP complete unit	IPX4
Min. operating temperature	-30 °C



Protection Mark  
according to ISO16016  
Created I.benk  
Drawn I.benk  
Released v.brand  
Disabled

1:5 A4 mm

General tolerances  
DIN ISO 2768-c

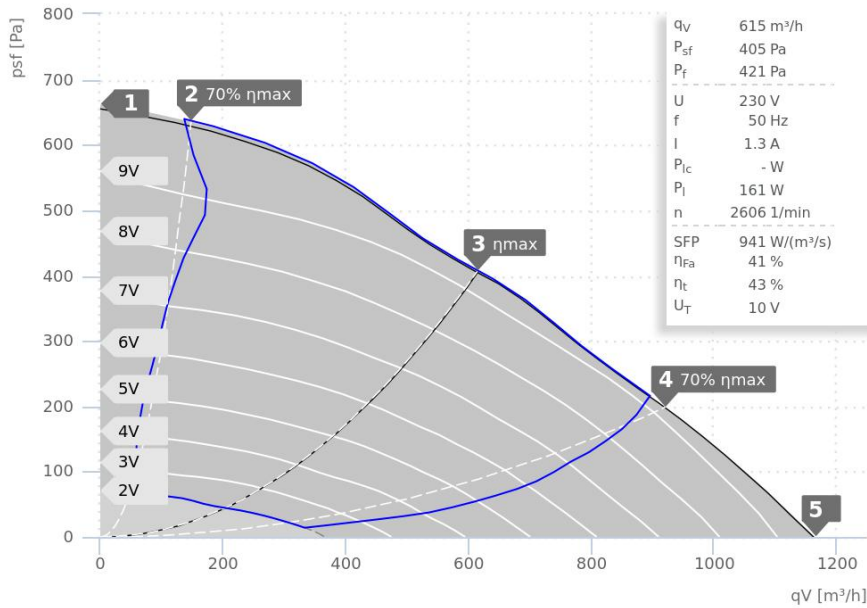
**DVA220EC30+**

**131288 00**



# DATA SHEET

## DVA 250 EC 40 | 149218



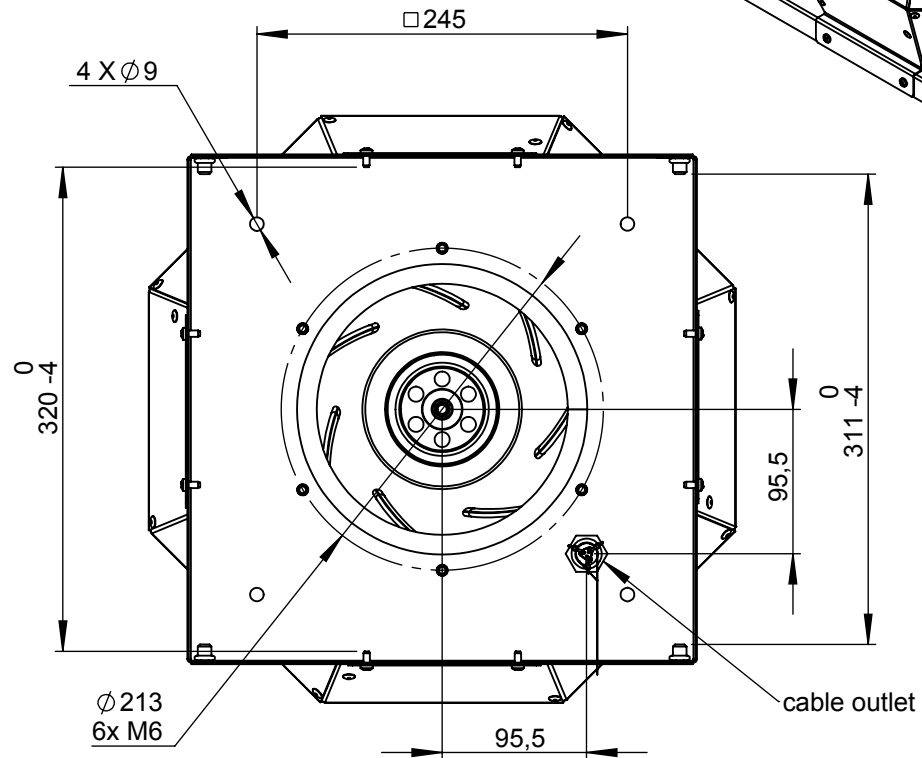
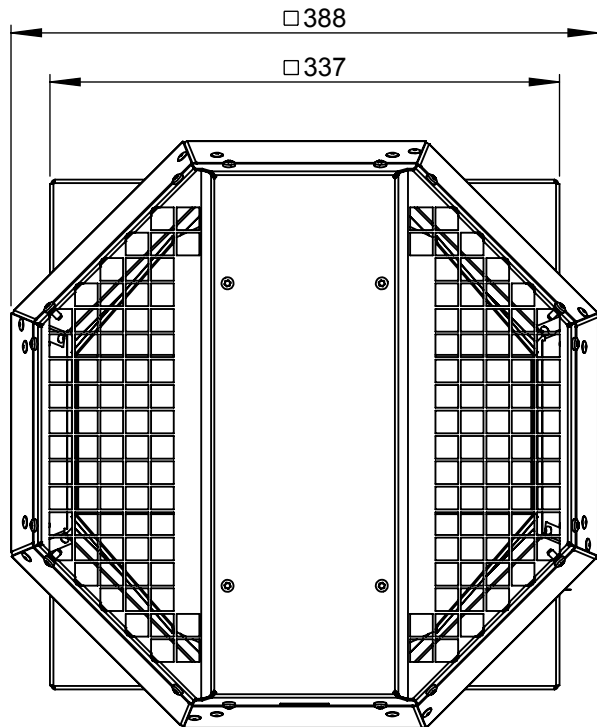
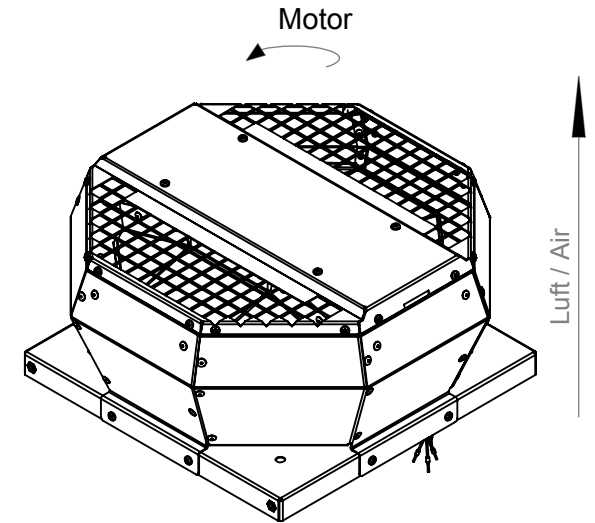
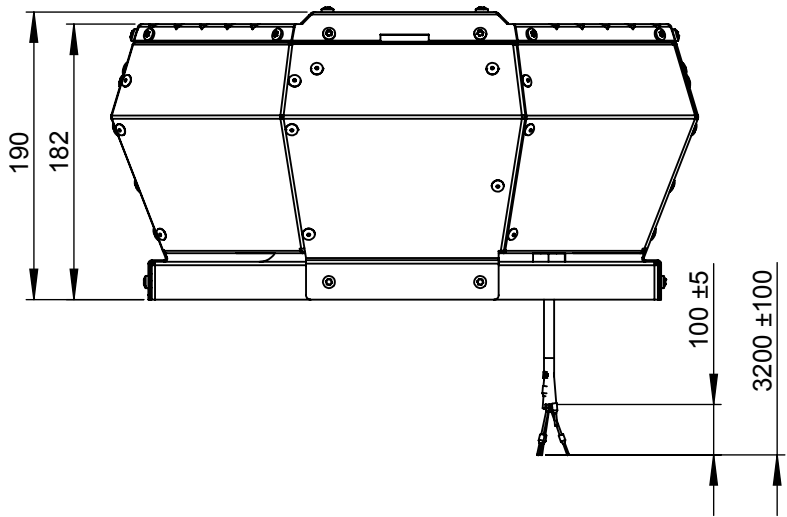
- Backward curved centrifugal fan
- EC motor
- Integrated electronic
- Internal electronic temperature monitoring
- Housing made of aluminium AIMg3

— ErP compliant range

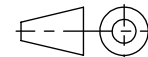
Operating Point		1	2	3	4	5
Current $I$	A	0,6	0,8	1,3	1,3	1,2
Power consumption $P_i$	W	70	85	162	166	154
Rotation speed $n$	1/min	2797	2795	2611	2598	2667
SWL inlet $L_{WA5}$	dB(A)	74	73	71	73	76
SWL outlet $L_{WA6}$	dB(A)	75	76	74	76	79
SWL housing break out $L_{WA2}$	dB(A)	-	-	-	-	-

Sound power ( $L_W$ ) dB(A)		Medium Frequency Band								
		$\Sigma$	63	125	250	500	1k	2k	4k	8k
Inlet	$L_{WA5}$	71	40	54	60	64	66	65	64	53
Outlet	$L_{WA6}$	74	41	54	65	68	68	69	65	53
Housing radiation	$L_{WA2}$	-	-	-	-	-	-	-	-	-

DVA 250 EC 40   149218	
Voltage $U_N$	230 V 1~
Current $I_{max}$	1,4 A
Ambient temperature $t_A$	60 °C
Conveyed medium temperature $t_M$	60 °C
Speed Control	0-10V
Motor protection	TEC
Insulation class motor	F
Weight	5,7 kg
Number of poles	-
IP motor	IP54
IP terminal box	IP54
IP complete unit	IPX4
Min. operating temperature	-30 °C



**ruck**<sup>eu</sup>  
VENTILATOREN  
ruck Ventilatoren  
Max-Planck-Str. 5  
D-97944 Boxberg



1:5 A4 mm

Protection Mark  
according to ISO16016

General tolerances  
DIN ISO 2768-c

Created d.ursu  
Drawn d.ursu  
Released d.ursu  
Disabled

19.10.2018  
19.10.2018  
19.10.2018

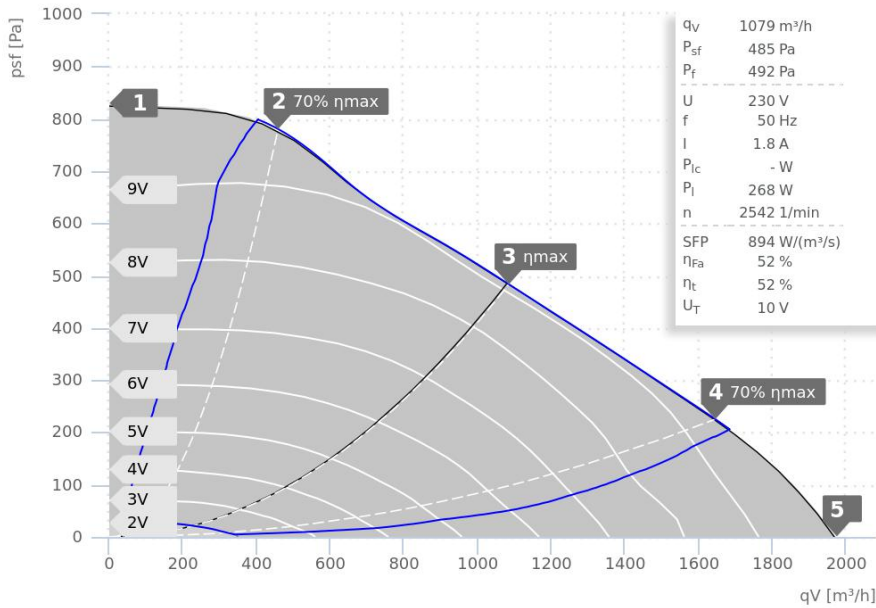
**DVA250EC40**

**149218 00**

**VENTAS**  
VENTILATORER

# DATA SHEET

## DVA 280 EC 30 | 131297



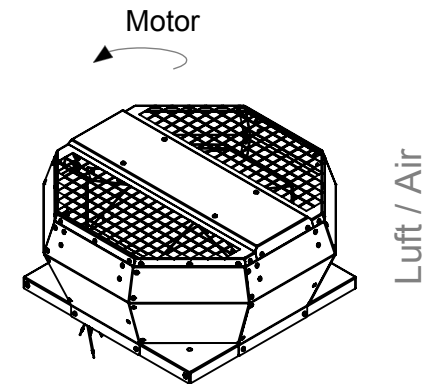
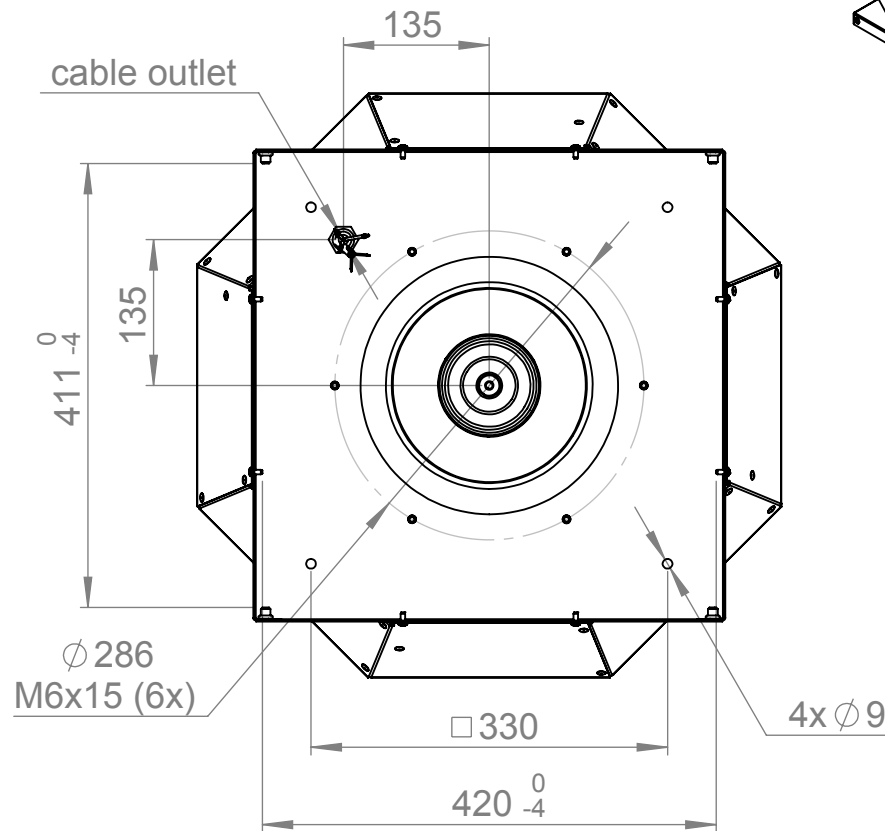
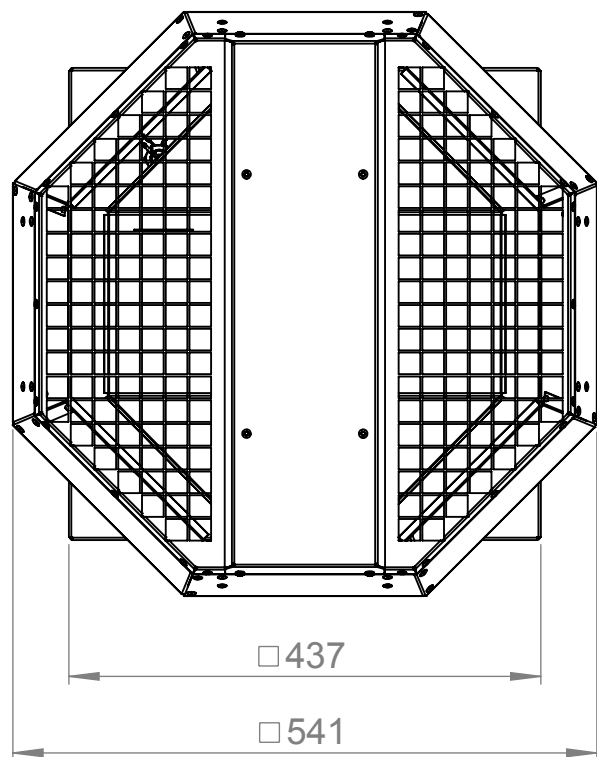
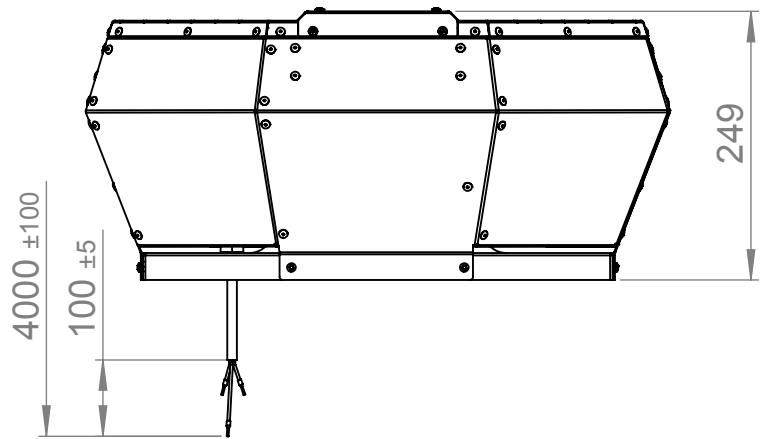
- Backward curved centrifugal fan
- EC motor
- Integrated electronic
- Internal electronic temperature monitoring
- Housing made of aluminium AIMg3

— ErP compliant range

Operating Point		1	2	3	4	5
Current $I$	A	1,0	1,8	1,8	1,8	1,6
Power consumption $P_1$	W	141	262	268	268	242
Rotation speed $n$	1/min	2908	2842	2543	2753	2915
SWL inlet $L_{WA5}$	dB(A)	82	84	78	85	86
SWL outlet $L_{WA6}$	dB(A)	82	84	78	86	83
SWL housing break out $L_{WA2}$	dB(A)	-	-	-	-	-

Sound power ( $L_W$ ) dB(A)		Medium Frequency Band								
		$\Sigma$	63	125	250	500	1k	2k	4k	8k
Inlet	$L_{WA5}$	78	34	46	62	67	68	68	73	74
Outlet	$L_{WA6}$	78	39	51	63	68	77	69	67	64
Housing radiation	$L_{WA2}$	-	-	-	-	-	-	-	-	-

DVA 280 EC 30   131297	
Voltage $U_N$	230 V 1~
Current $I_{max}$	1,9 A
Ambient temperature $t_A$	55 °C
Conveyed medium temperature $t_M$	55 °C
Speed Control	0-10V
Motor protection	TEC
Insulation class motor	F
Weight	8,0 kg
Number of poles	-
IP motor	IP33
IP terminal box	IP44
IP complete unit	IPX4
Min. operating temperature	-30 °C



Protection Mark  
according to ISO 16016

Created a.mezei  
Drawn a.mezei  
Released v.brand  
Disabled

1:7 A4 mm

General tolerances  
DIN ISO 2768-c

**DVA280EC30+**

**131297 00**

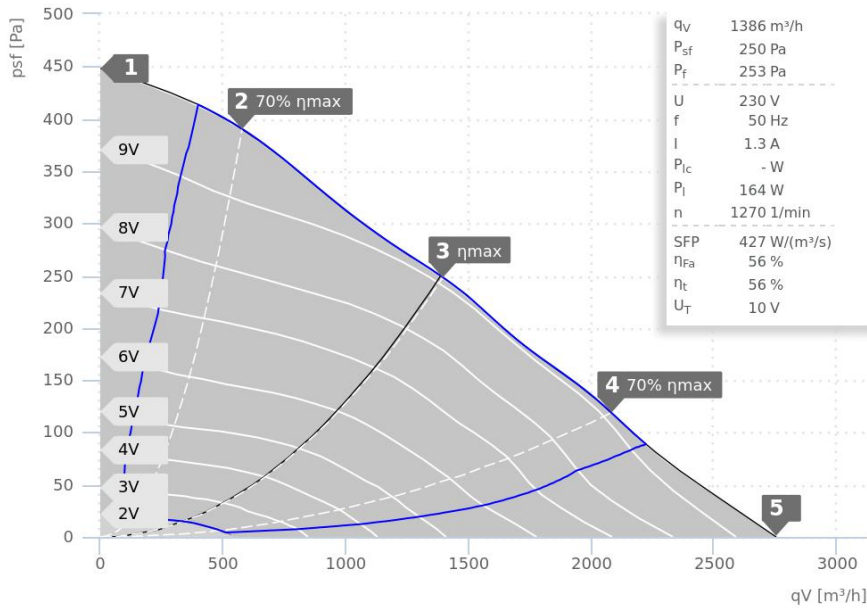




# DATA SHEET

**ruck**.eu  
VENTILATOREN

DVA 355 EC 30 | 131322



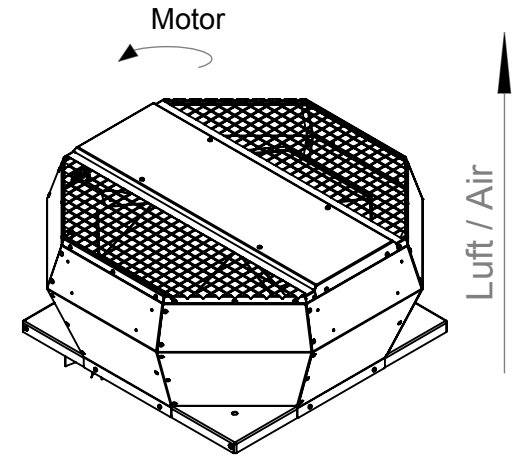
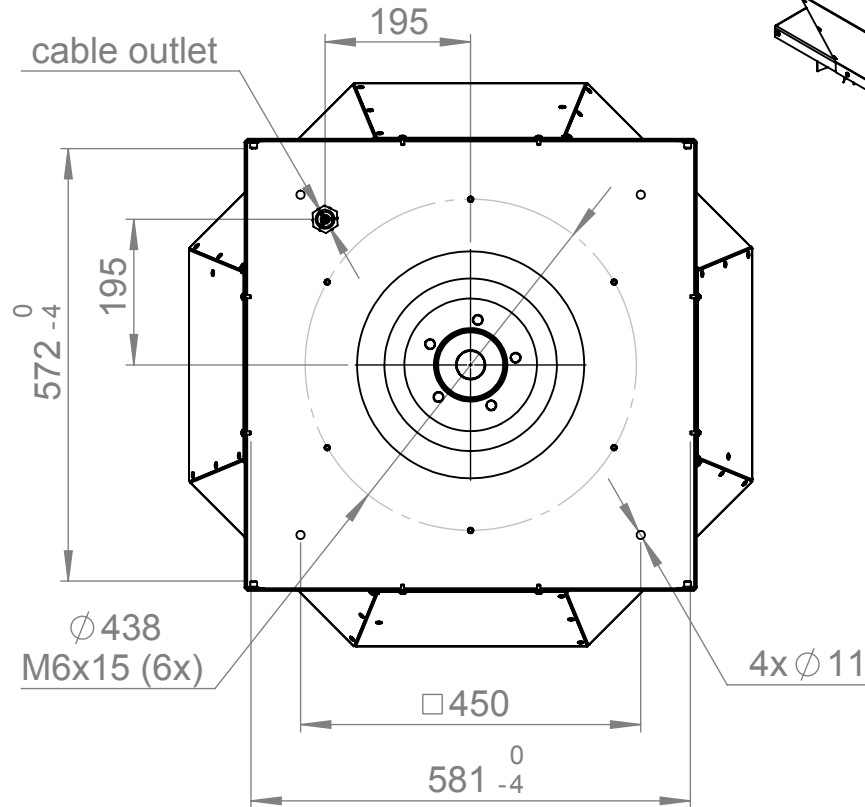
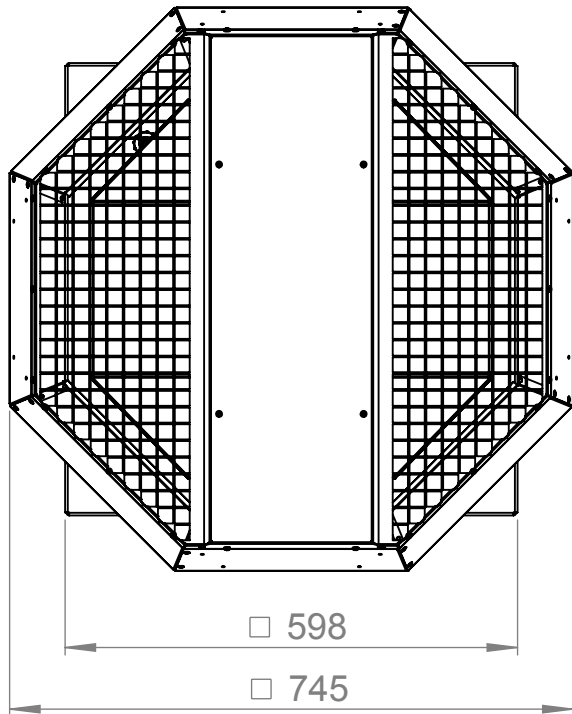
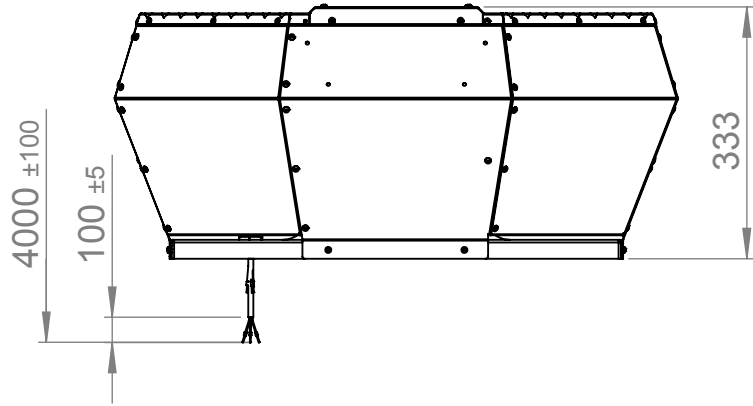
- Backward curved centrifugal fan
- EC motor
- Integrated electronic
- Internal electronic temperature monitoring
- Housing made of aluminium AIMg3

— ErP compliant range

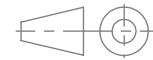
Operating Point		1	2	3	4	5
Current I	A	0,9	1,2	1,3	1,3	1,3
Power consumption $P_i$	W	106	154	164	165	164
Rotation speed n	1/min	1542	1464	1270	1302	1383
SWL inlet $L_{WA5}$	dB(A)	70	69	67	70	75
SWL outlet $L_{WA6}$	dB(A)	72	70	68	72	76
SWL housing break out $L_{WA2}$	dB(A)	-	-	-	-	-

Sound power ( $L_W$ ) dB(A)		Medium Frequency Band								
		$\Sigma$	63	125	250	500	1k	2k	4k	8k
Inlet	$L_{WA5}$	67	32	47	52	58	59	65	53	44
Outlet	$L_{WA6}$	68	33	48	55	58	62	65	52	43
Housing radiation	$L_{WA2}$	-	-	-	-	-	-	-	-	-

DVA 355 EC 30   131322	
Voltage $U_N$	230 V 1~
Current $I_{max}$	1,4 A
Ambient temperature $t_A$	60 °C
Conveyed medium temperature $t_M$	60 °C
Speed Control	0-10V
Motor protection	TEC
Insulation class motor	B
Weight	14,7 kg
Number of poles	-
IP motor	IP54
IP terminal box	IP44
IP complete unit	IPX4
Min. operating temperature	-25 °C



ruck Ventilatoren  
Max-Planck-Str. 5  
D-97944 Boxberg



Protection Mark  
according to ISO16016

Created I.benk  
Drawn I.benk  
Released v.brand  
Disabled

1:10 A4 mm

General tolerances  
DIN ISO 2768-c

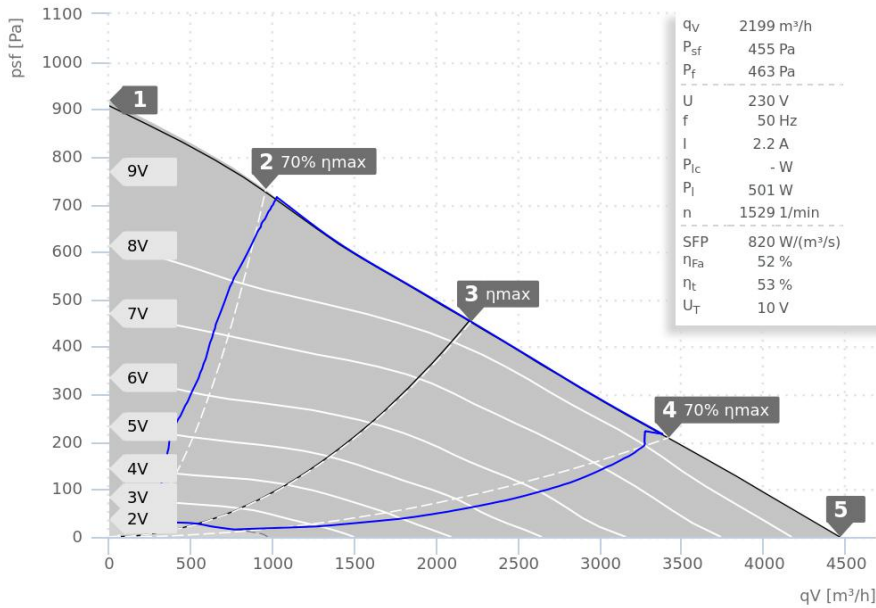
**DVA355EC30+**

**131322 00**



# DATA SHEET

## DVA 400 EC 30 | 131328



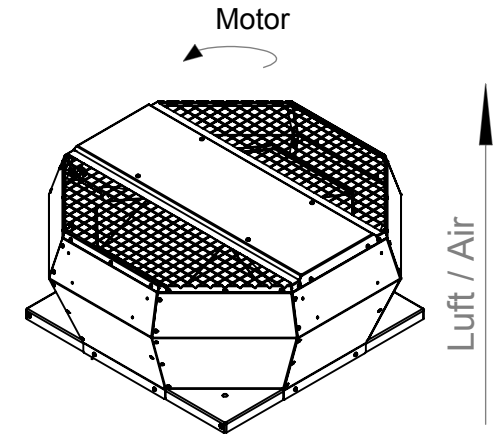
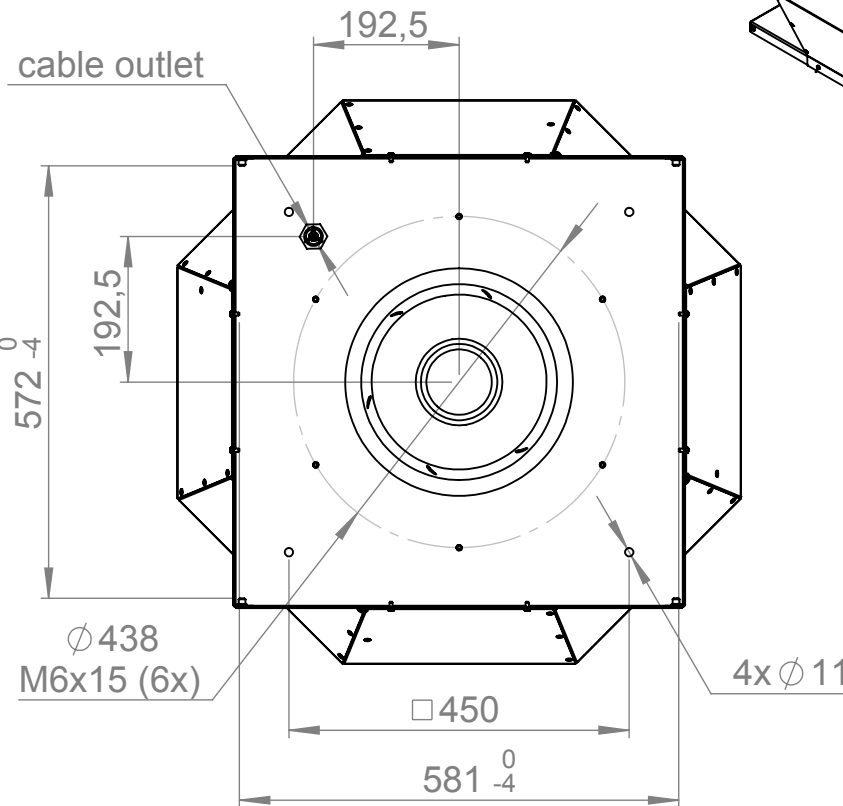
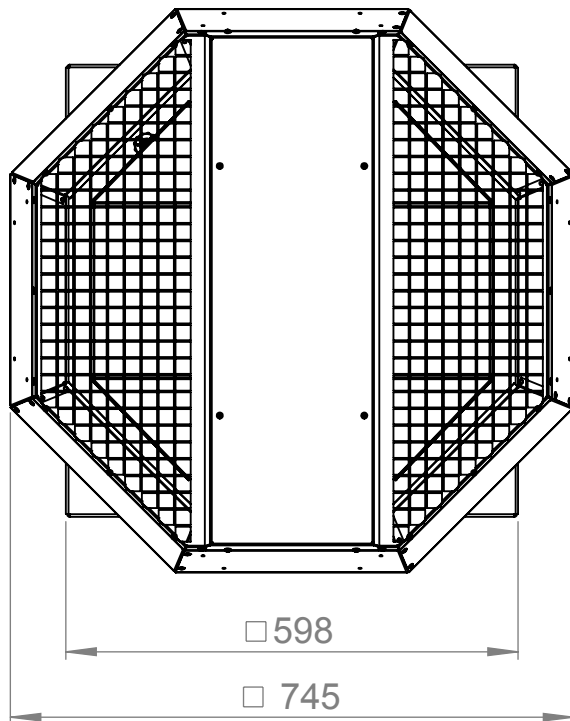
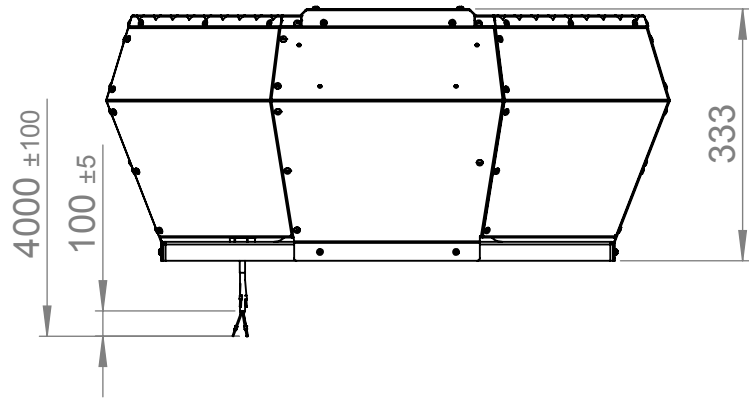
- Backward curved centrifugal fan
- EC motor
- Integrated electronic
- Internal electronic temperature monitoring
- Housing made of aluminium AIMg3

— ErP compliant range

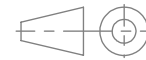
Operating Point		1	2	3	4	5
Current I	A	1,5	2,2	2,2	2,2	2,2
Power consumption P <sub>i</sub>	W	342	509	501	501	503
Rotation speed n	1/min	1978	1806	1528	1505	1579
SWL inlet L <sub>WA5</sub>	dB(A)	79	77	69	73	77
SWL outlet L <sub>WA6</sub>	dB(A)	82	79	73	77	82
SWL housing break out L <sub>WA2</sub>	dB(A)	-	-	-	-	-

Sound power (L <sub>W</sub> ) dB(A)		Medium Frequency Band								
		Σ	63	125	250	500	1k	2k	4k	8k
Inlet	L <sub>WA5</sub>	69	40	56	60	62	62	64	62	51
Outlet	L <sub>WA6</sub>	73	43	61	66	66	67	66	62	51
Housing radiation	L <sub>WA2</sub>	-	-	-	-	-	-	-	-	-

DVA 400 EC 30   131328	
Voltage U <sub>N</sub>	230 V 1~
Current I <sub>max</sub>	2,3 A
Ambient temperature t <sub>A</sub>	50 °C
Conveyed medium temperature t <sub>M</sub>	50 °C
Speed Control	0-10V
Motor protection	TEC
Insulation class motor	F
Weight	18,8 kg
Number of poles	-
IP motor	IP54
IP terminal box	IP44
IP complete unit	IPX4
Min. operating temperature	-25 °C



**ruck**<sup>eu</sup>  
VENTILATOREN  
ruck Ventilatoren  
Max-Planck-Str. 5  
D-97944 Boxberg



Protection Mark  
according to ISO 16016  
Created I.benk  
Drawn I.benk  
Released v.brand  
Disabled

1:10 A4 mm

General tolerances  
DIN ISO 2768-c  
04.12.2014  
04.12.2014  
26.01.2020

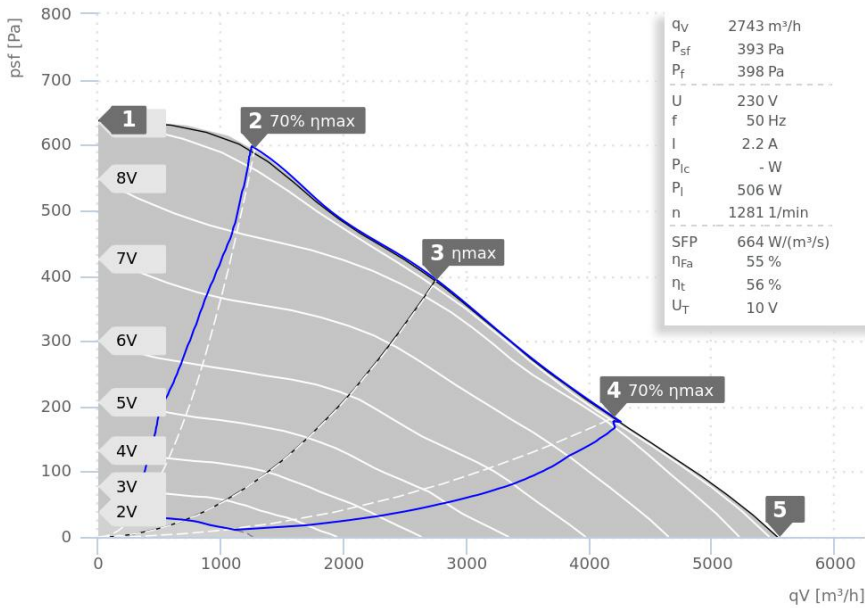
**DVA400EC30+**

**131328 00**



# DATA SHEET

## DVA 450 EC 30 | 131332



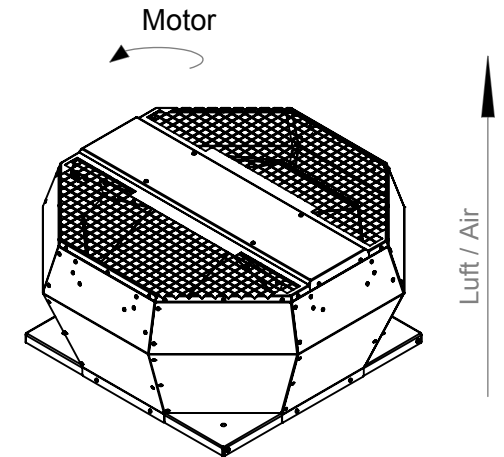
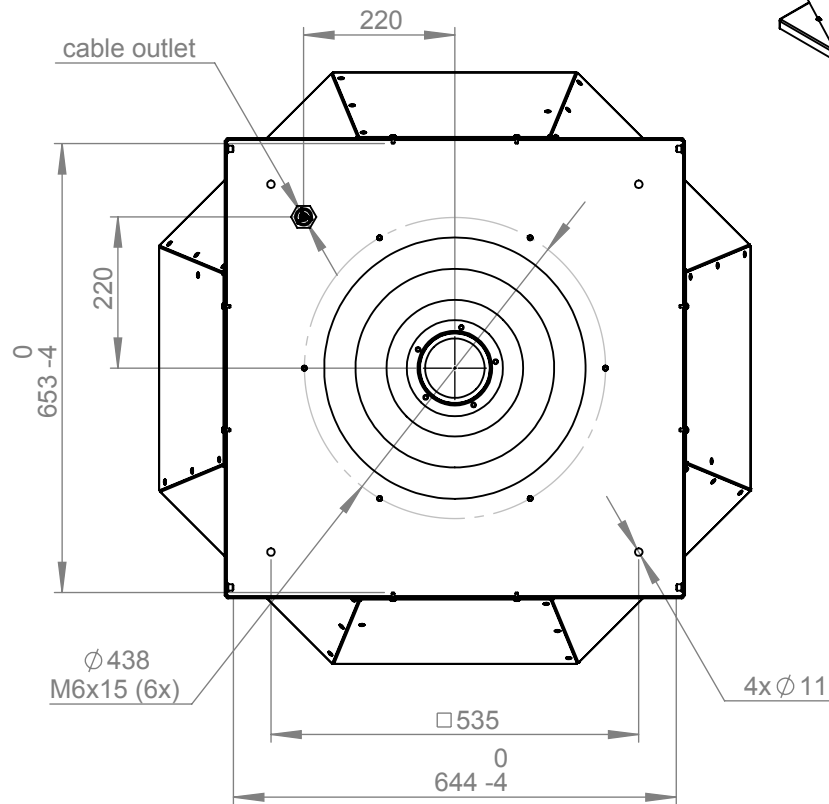
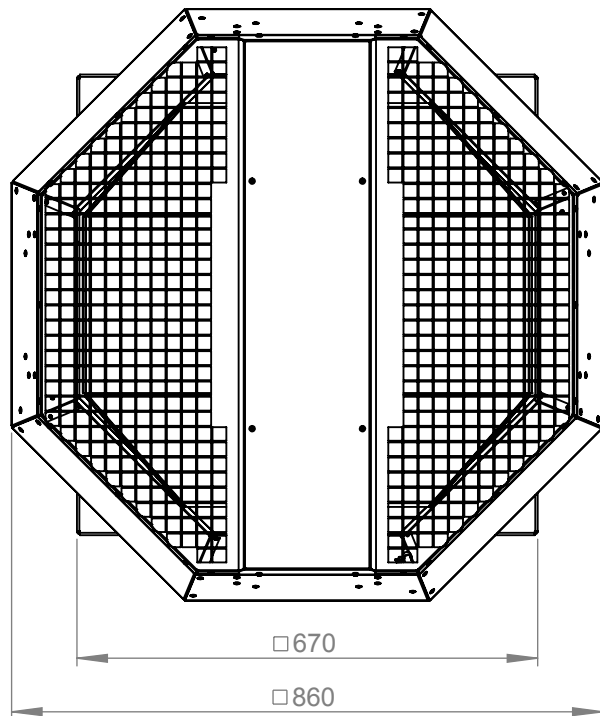
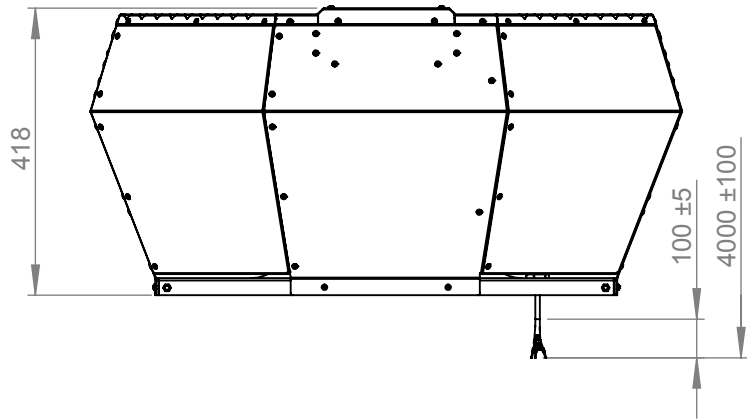
- Backward curved centrifugal fan
- EC motor
- Integrated electronic
- Internal electronic temperature monitoring
- Housing made of aluminium AIMg3

— ErP compliant range

Operating Point		1	2	3	4	5
Current $I$	A	1,3	2,3	2,2	2,2	2,2
Power consumption $P_1$	W	277	524	507	507	508
Rotation speed $n$	1/min	1514	1466	1280	1265	1350
SWL inlet $L_{WA5}$	dB(A)	77	77	72	70	77
SWL outlet $L_{WA6}$	dB(A)	80	79	73	75	81
SWL housing break out $L_{WA2}$	dB(A)	-	-	-	-	-

Sound power ( $L_W$ ) dB(A)		Medium Frequency Band								
		$\Sigma$	63	125	250	500	1k	2k	4k	8k
Inlet	$L_{WA5}$	72	44	59	64	68	64	63	58	50
Outlet	$L_{WA6}$	73	44	60	66	67	68	65	60	51
Housing radiation	$L_{WA2}$	-	-	-	-	-	-	-	-	-

DVA 450 EC 30   131332	
Voltage $U_N$	230 V 1~
Current $I_{max}$	2,3 A
Ambient temperature $t_A$	50 °C
Conveyed medium temperature $t_M$	50 °C
Speed Control	0-10V
Motor protection	TEC
Insulation class motor	F
Weight	21,3 kg
Number of poles	-
IP motor	IP54
IP terminal box	IP44
IP complete unit	IPX4
Min. operating temperature	-25 °C



ruck Ventilatoren  
Max-Planck-Str. 5  
D-97944 Boxberg



Protection Mark  
according to ISO16016

Created m.szabo  
Drawn m.szabo  
Released v.brand  
Disabled

1:11 A4 mm

General tolerances  
DIN ISO 2768-c

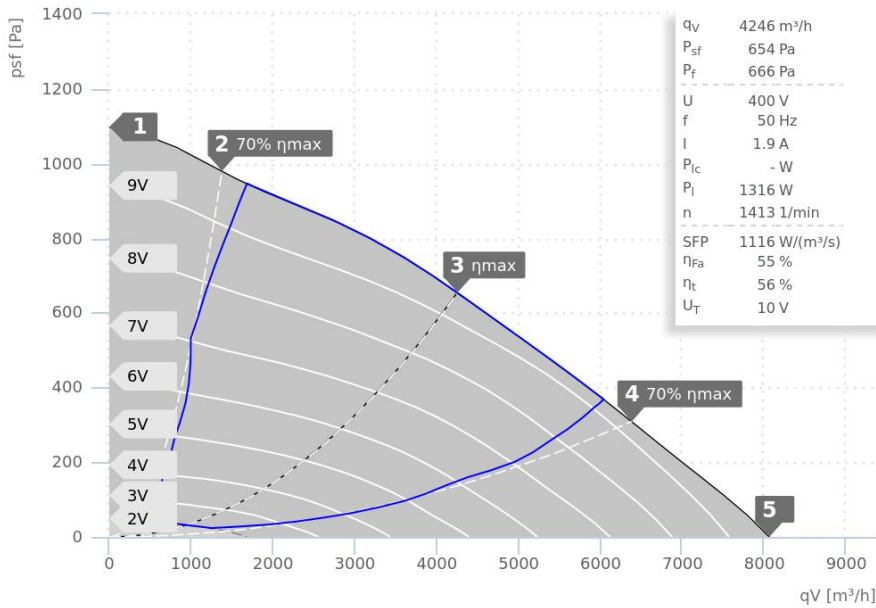
**DVA450EC30+**

**131332 00**



# DATA SHEET

## DVA 500 EC 30 | 131335



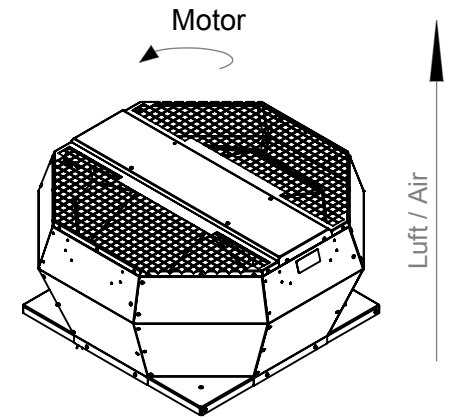
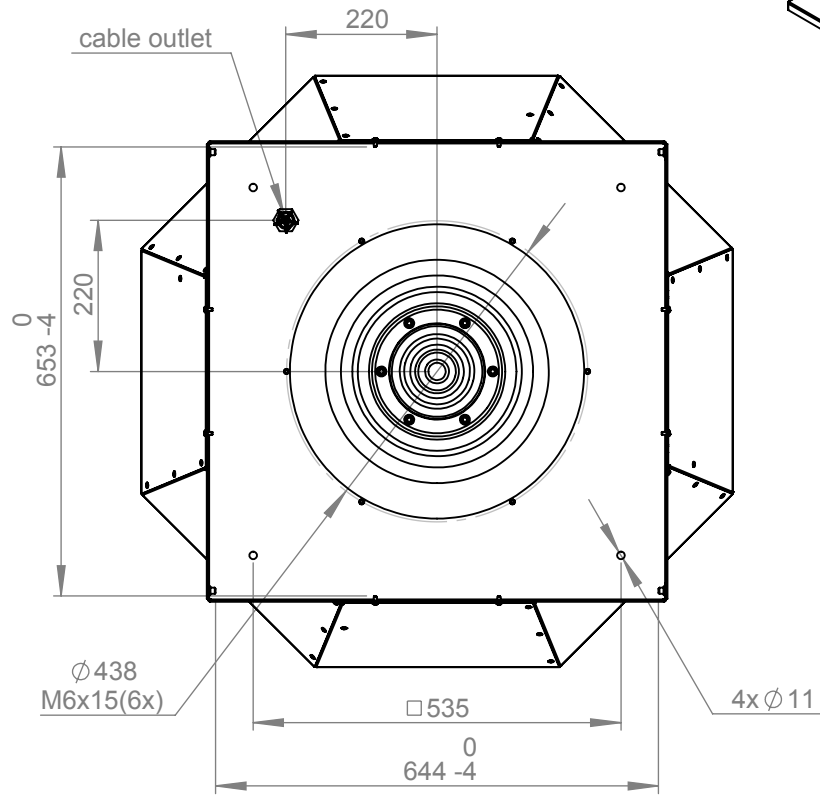
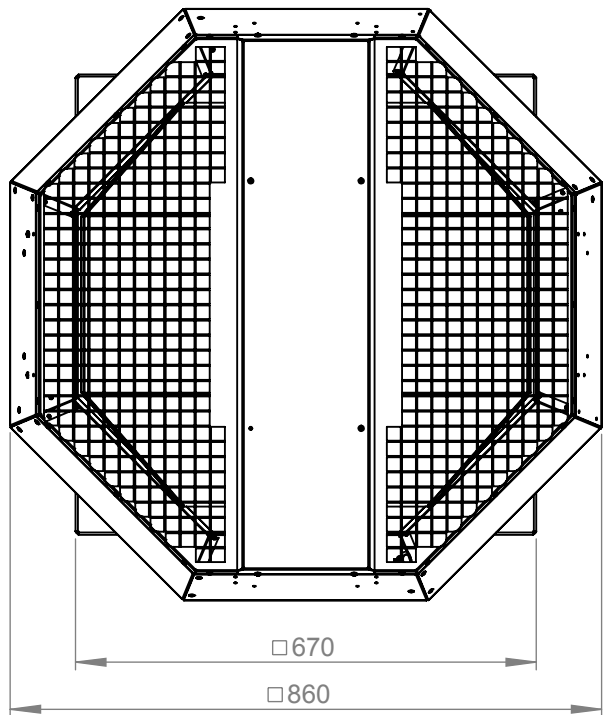
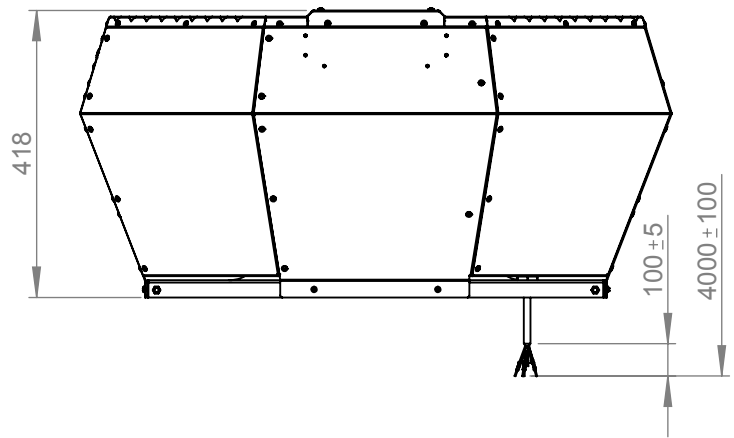
- Backward curved centrifugal fan
- EC motor
- Integrated electronic
- Internal electronic temperature monitoring
- Housing made of aluminium AIMg3

— ErP compliant range

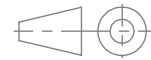
Operating Point		1	2	3	4	5
Current I	A	0,9	1,4	1,9	1,9	1,9
Power consumption P <sub>i</sub>	W	586	913	1316	1324	1330
Rotation speed n	1/min	1628	1567	1413	1390	1462
SWL inlet L <sub>WA5</sub>	dB(A)	80	79	74	77	81
SWL outlet L <sub>WA6</sub>	dB(A)	84	83	79	82	87
SWL housing break out L <sub>WA2</sub>	dB(A)	-	-	-	-	-

Sound power (L <sub>W</sub> ) dB(A)		Medium Frequency Band								
		Σ	63	125	250	500	1k	2k	4k	8k
Inlet	L <sub>WA5</sub>	74	47	64	67	67	67	66	64	58
Outlet	L <sub>WA6</sub>	79	52	69	71	74	74	71	67	60
Housing radiation	L <sub>WA2</sub>	-	-	-	-	-	-	-	-	-

DVA 500 EC 30   131335	
Voltage U <sub>N</sub>	400 V 3~
Current I <sub>max</sub>	2,1 A
Ambient temperature t <sub>A</sub>	50 °C
Conveyed medium temperature t <sub>M</sub>	50 °C
Speed Control	0-10V
Motor protection	TEC
Insulation class motor	F
Weight	30,5 kg
Number of poles	-
IP motor	IP54
IP terminal box	IP44
IP complete unit	IPX4
Min. operating temperature	-25 °C



ruck Ventilatoren  
Max-Planck-Str. 5  
D-97944 Boxberg



Protection Mark  
according to ISO16016

Created I.benk  
Drawn I.benk  
Released v.brand  
Disabled

1:11 A4 mm

General tolerances  
DIN ISO 2768-c

**DVA500EC30+**

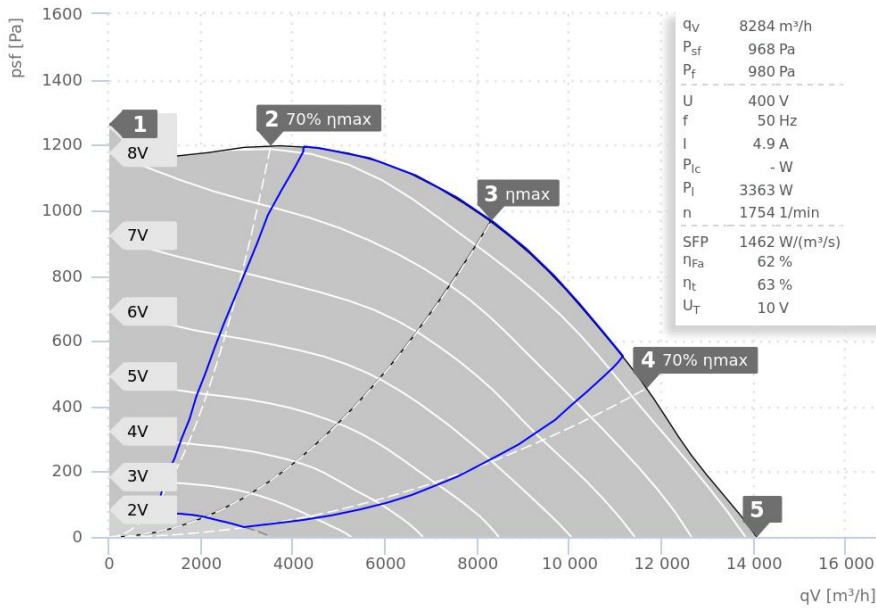
**131335 00**





# DATA SHEET

## DVA 560 EC 30 | 131340



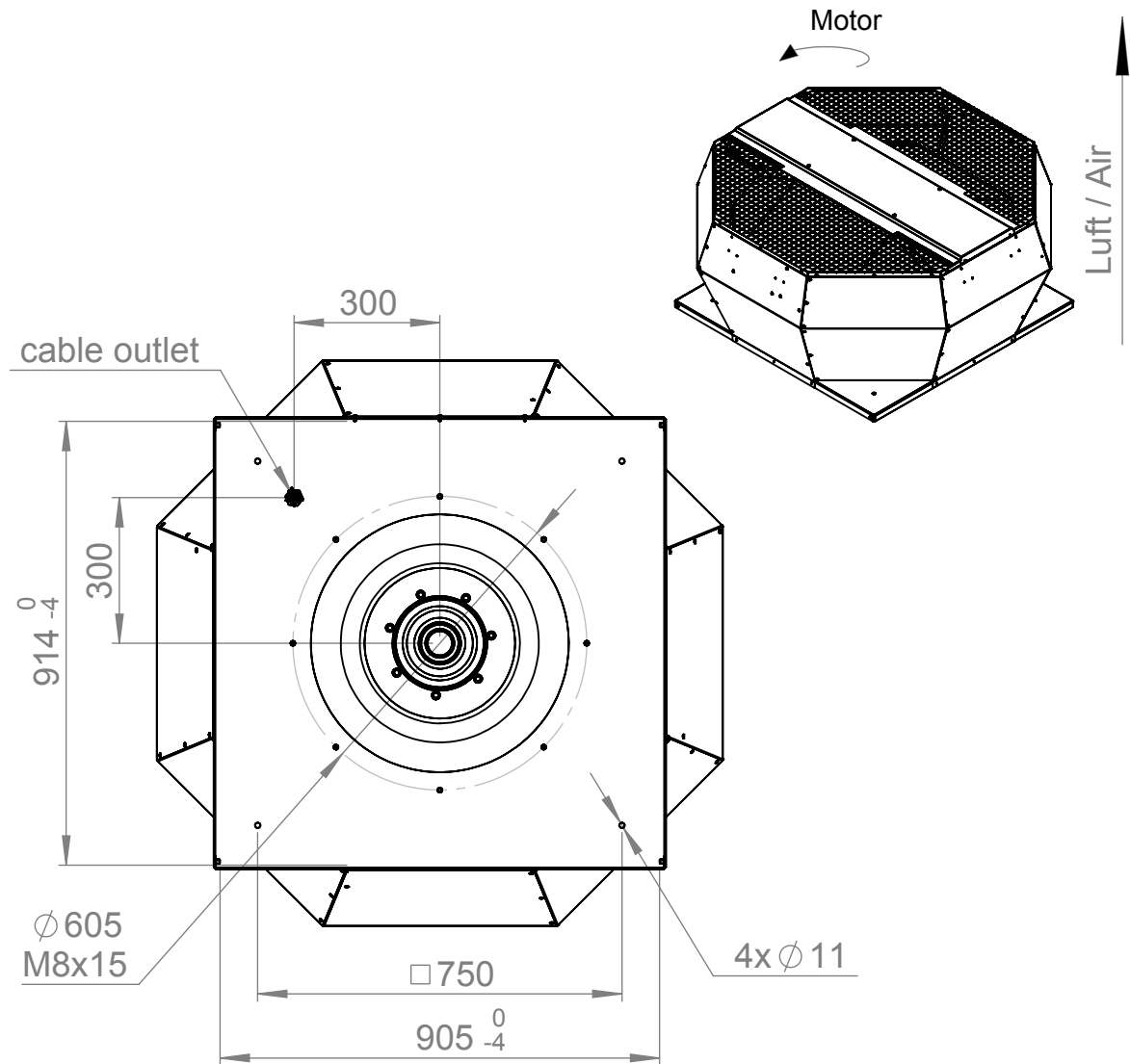
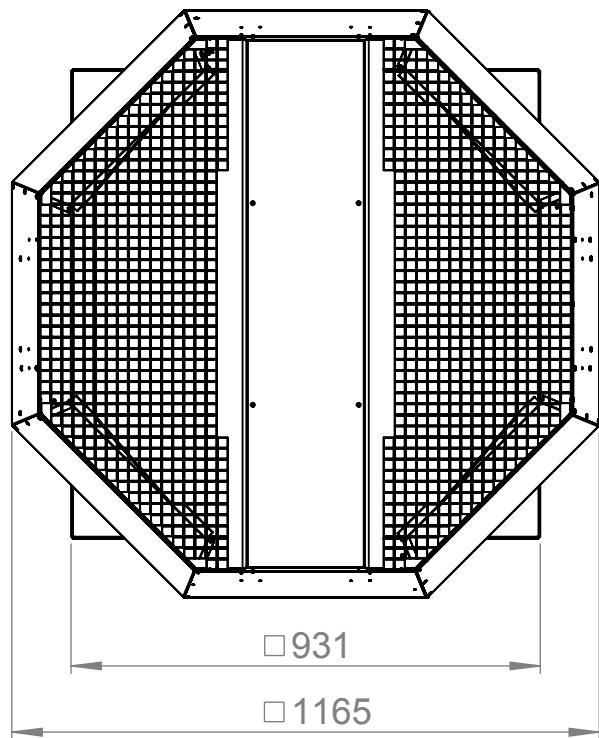
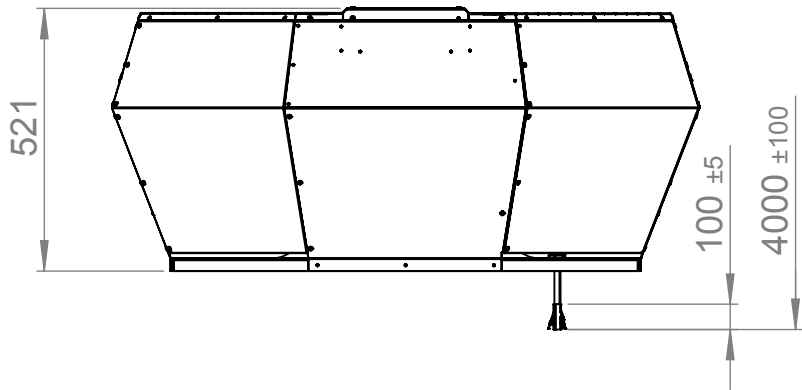
- Backward curved centrifugal fan
- EC motor
- Integrated electronic
- Internal electronic temperature monitoring
- Housing made of aluminium AIMg3

— ErP compliant range

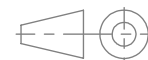
Operating Point		1	2	3	4	5
Current $I$	A	1,8	3,7	4,9	4,7	4,0
Power consumption $P_1$	W	1179	2509	3379	3211	2815
Rotation speed $n$	1/min	1789	1781	1757	1747	1784
SWL inlet $L_{WA5}$	dB(A)	87	87	85	87	90
SWL outlet $L_{WA6}$	dB(A)	90	89	87	89	92
SWL housing break out $L_{WA2}$	dB(A)	-	-	-	-	-

Sound power ( $L_W$ ) dB(A)		Medium Frequency Band								
		$\Sigma$	63	125	250	500	1k	2k	4k	8k
Inlet	$L_{WA5}$	85	49	77	80	80	79	75	70	64
Outlet	$L_{WA6}$	87	56	76	79	80	82	78	72	65
Housing radiation	$L_{WA2}$	-	-	-	-	-	-	-	-	-

DVA 560 EC 30   131340	
Voltage $U_N$	400 V 3~
Current $I_{max}$	5,2 A
Ambient temperature $t_A$	60 °C
Conveyed medium temperature $t_M$	60 °C
Speed Control	0-10V
Motor protection	TEC
Insulation class motor	F
Weight	48,9 kg
Number of poles	-
IP motor	IP55
IP terminal box	-
IP complete unit	-
Min. operating temperature	-30 °C



ruck Ventilatoren  
Max-Planck-Str. 5  
D-97944 Boxberg



Protection Mark  
according to ISO16016

Created I.benk  
Drawn I.benk  
Released v.brand  
Disabled

1:15 A4 mm

General tolerances  
DIN ISO 2768-c

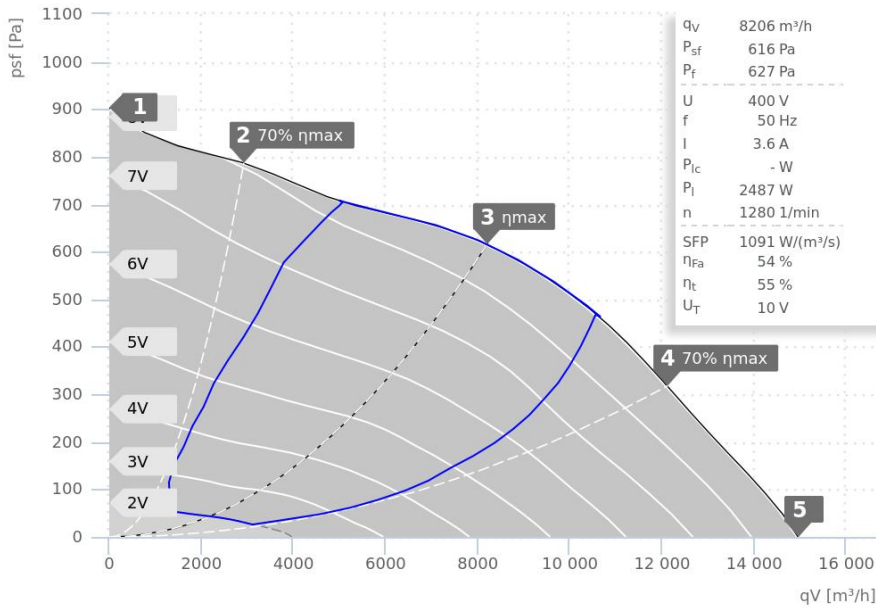
**DVA560EC30+**

**131340 00**



# DATA SHEET

## DVA 630 EC 40 | 157267



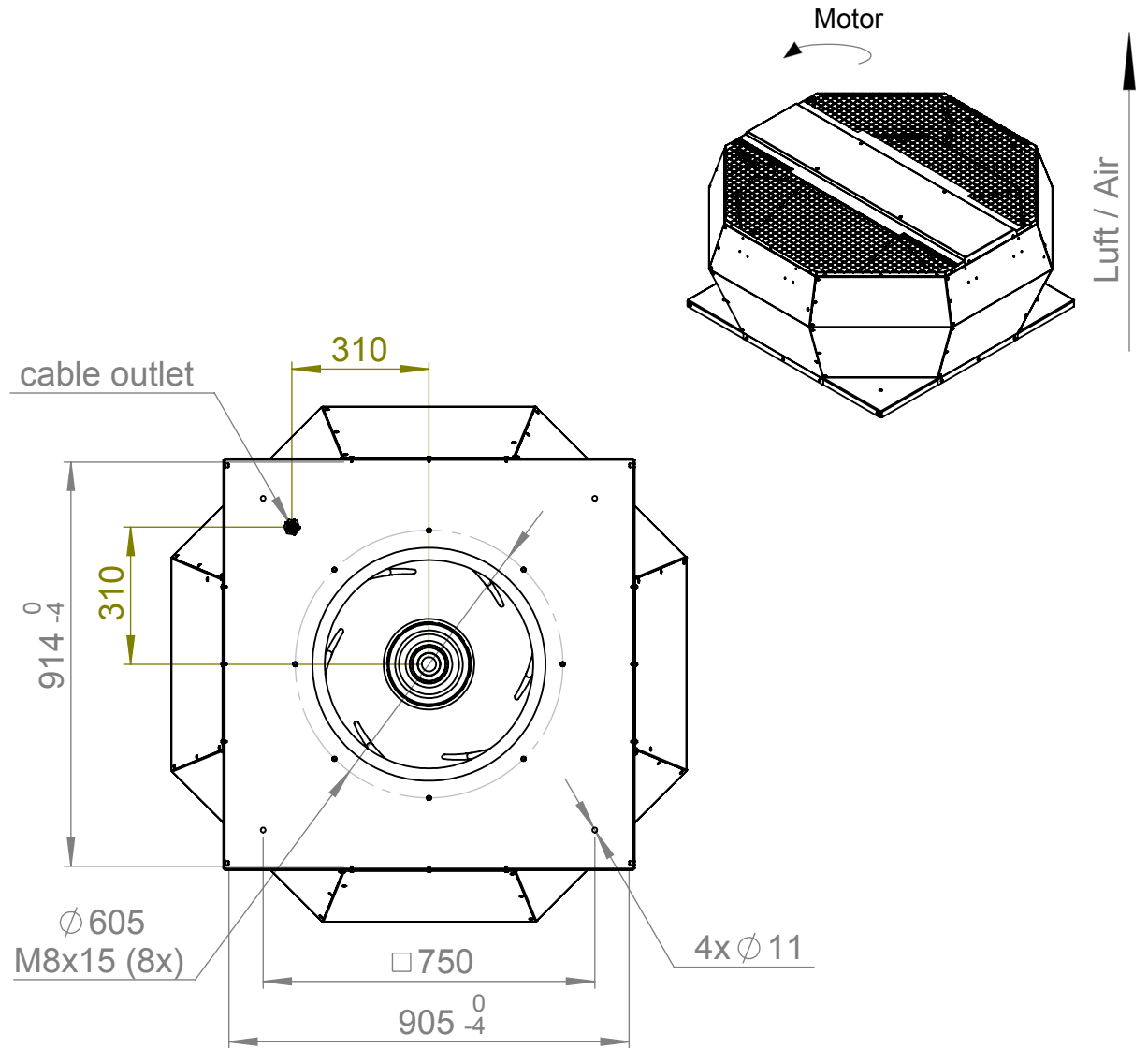
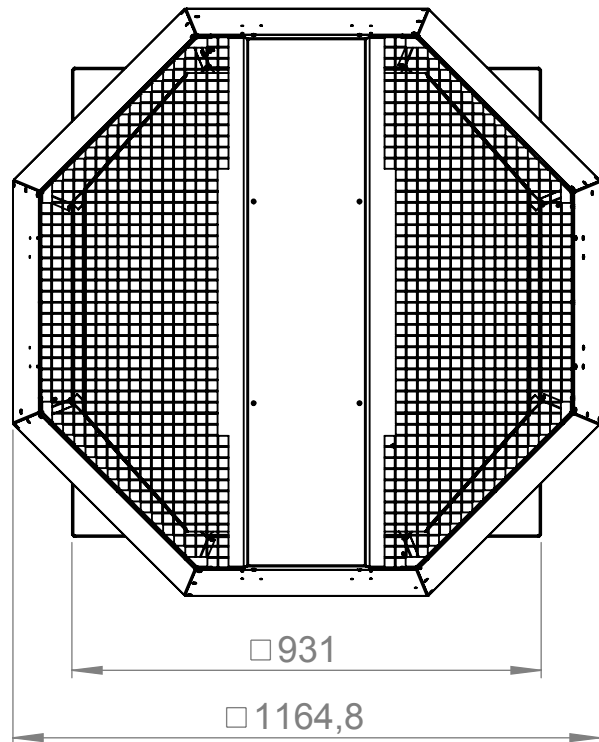
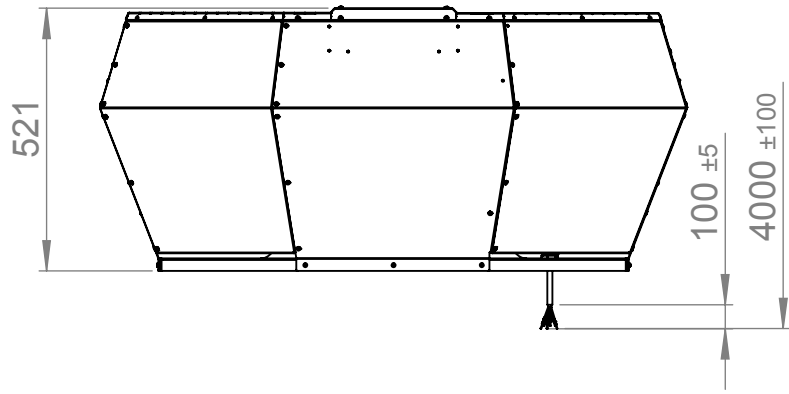
- Backward curved centrifugal fan
- EC motor
- Integrated electronic
- Internal electronic temperature monitoring
- Housing made of aluminium AIMg3

— ErP compliant range

Operating Point		1	2	3	4	5
Current I	A	1,6	2,4	3,6	3,9	3,8
Power consumption P <sub>l</sub>	W	1034	1632	2483	2695	2582
Rotation speed n	1/min	1298	1288	1281	1272	1279
SWL inlet L <sub>WA5</sub>	dB(A)	81	83	83	81	82
SWL outlet L <sub>WA6</sub>	dB(A)	86	86	84	85	87
SWL housing break out L <sub>WA2</sub>	dB(A)	-	-	-	-	-

Sound power (L <sub>W</sub> ) dB(A)		Medium Frequency Band								
		Σ	63	125	250	500	1k	2k	4k	8k
Inlet	L <sub>WA5</sub>	83	58	73	78	77	75	73	68	62
Outlet	L <sub>WA6</sub>	84	61	74	79	79	78	75	70	62
Housing radiation	L <sub>WA2</sub>	-	-	-	-	-	-	-	-	-

DVA 630 EC 40   157267	
Voltage U <sub>N</sub>	400 V 3~
Current I <sub>max</sub>	4,1 A
Ambient temperature t <sub>A</sub>	40 °C
Conveyed medium temperature t <sub>M</sub>	40 °C
Speed Control	0-10V
Motor protection	TEC
Insulation class motor	F
Weight	50,3 kg
Number of poles	-
IP motor	IP55
IP terminal box	-
IP complete unit	-
Min. operating temperature	-25 °C



**ruck**<sup>eu</sup>  
VENTILATOREN  
ruck Ventilatoren  
Max-Planck-Str. 5  
D-97944 Boxberg



Protection Mark  
according to ISO 16016

Created d.hancu  
Drawn d.hancu  
Released d.hancu  
Disabled

1:15 A4 mm

General tolerances  
DIN ISO 2768-c

**DVA630EC40**

**157267 00**

**VENTAS**  
VENTILATORER