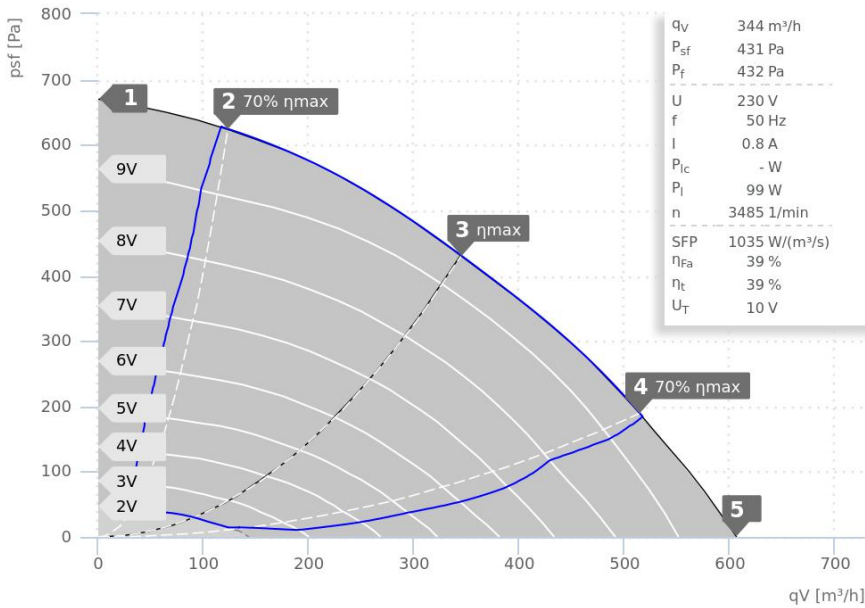


# DATA SHEET

DVA 190 EC CP 31 | 146926



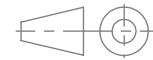
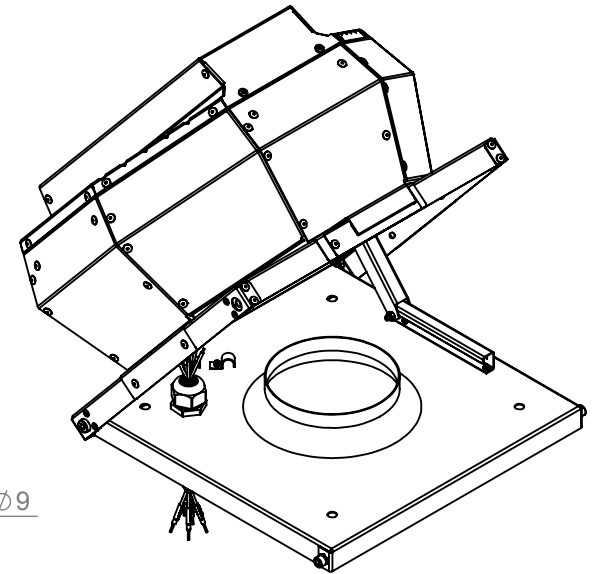
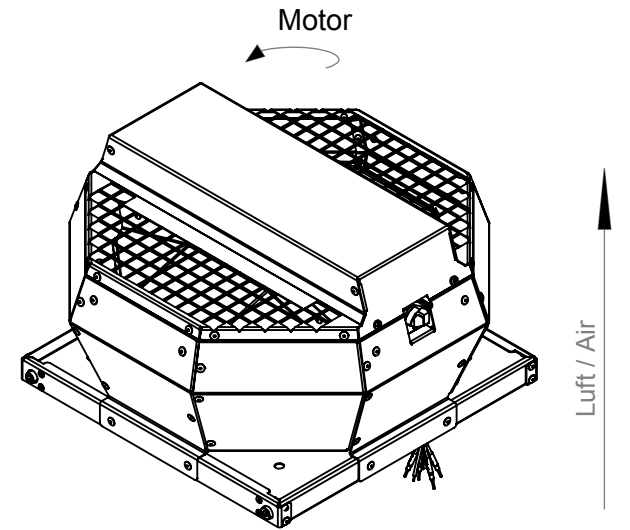
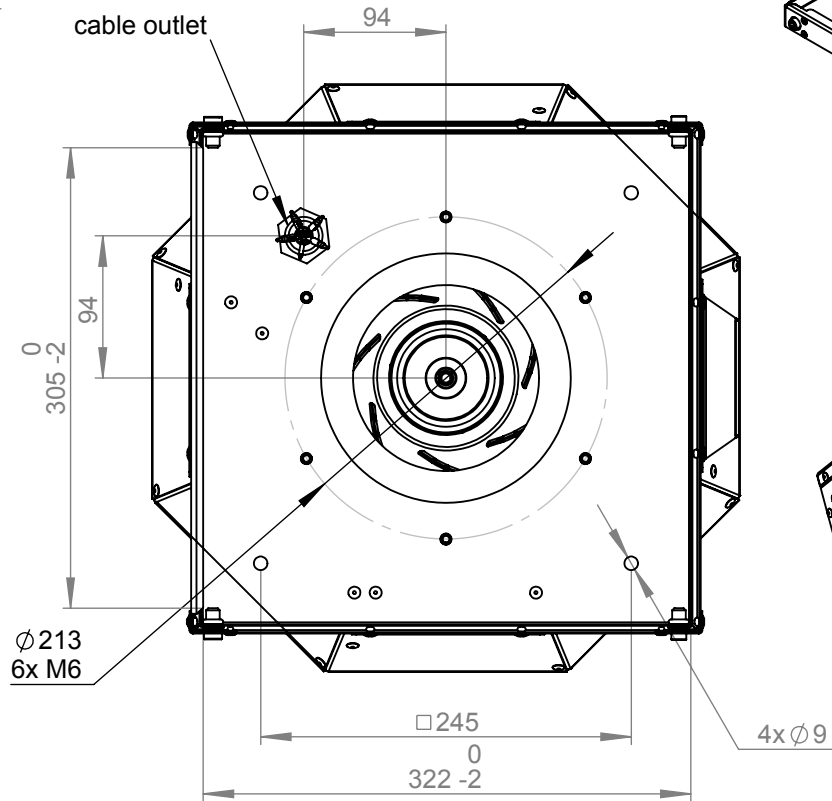
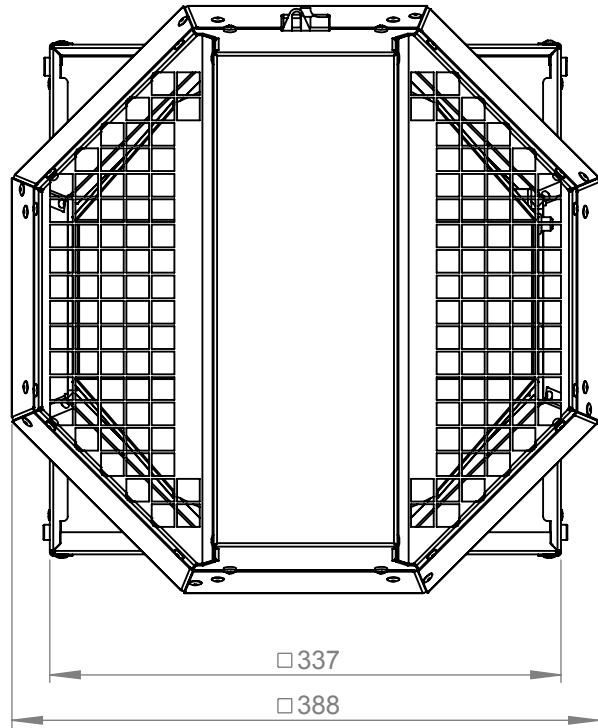
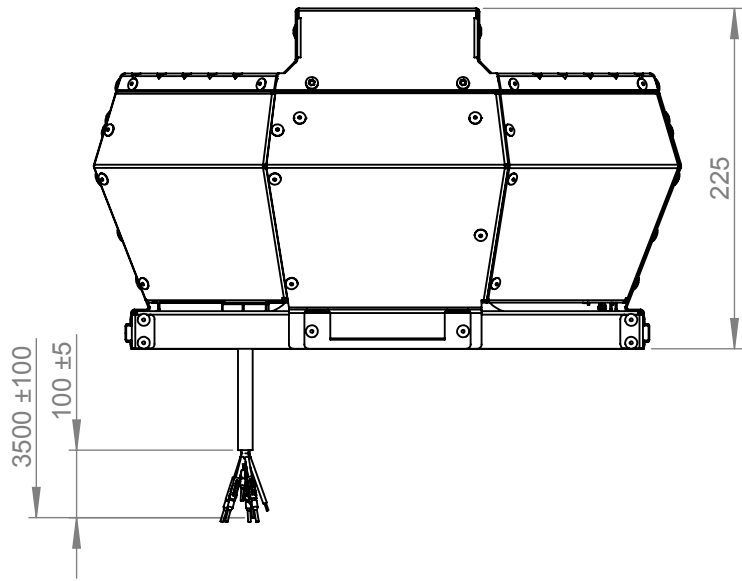
- Backward curved centrifugal fan
- EC motor
- Integrated electronic
- Internal electronic temperature monitoring
- Housing made of aluminium AIMg3
- Integrated main switch
- With constant pressure control
- Swing out design

— ErP compliant range

Operating Point		1	2	3	4	5
Current I	A	0,5	0,6	0,8	0,7	0,6
Power consumption P <sub>i</sub>	W	52	77	99	92	80
Rotation speed n	1/min	3626	3615	3487	3566	3615
SWL inlet L <sub>WA5</sub>	dB(A)	76	75	75	77	78
SWL outlet L <sub>WA6</sub>	dB(A)	77	77	76	78	79
SWL housing break out L <sub>WA2</sub>	dB(A)	-	-	-	-	-

Sound power (L <sub>W</sub> ) dB(A)		Medium Frequency Band								
		Σ	63	125	250	500	1k	2k	4k	8k
Inlet	L <sub>WA5</sub>	75	41	54	59	67	70	69	68	58
Outlet	L <sub>WA6</sub>	75	42	55	62	69	70	71	66	57
Housing radiation	L <sub>WA2</sub>	-	-	-	-	-	-	-	-	-

DVA 190 EC CP 31   146926	
Voltage U <sub>N</sub>	230 V 1~
Current I <sub>max</sub>	0,8 A
Ambient temperature t <sub>A</sub>	60 °C
Conveyed medium temperature t <sub>M</sub>	60 °C
Speed Control	0-10V
Motor protection	TEC
Insulation class motor	F
Weight	4,8 kg
Number of poles	-
IP motor	IP54
IP terminal box	IP44
IP complete unit	IPX4
Min. operating temperature	-30 °C



1:5 A4 mm

Protection Mark according to ISO16016

General tolerances DIN ISO 2768-c

Created s.pop  
 Drawn s.pop  
 Released s.pop  
 Disabled

09.07.2018  
 09.07.2018  
 09.07.2018

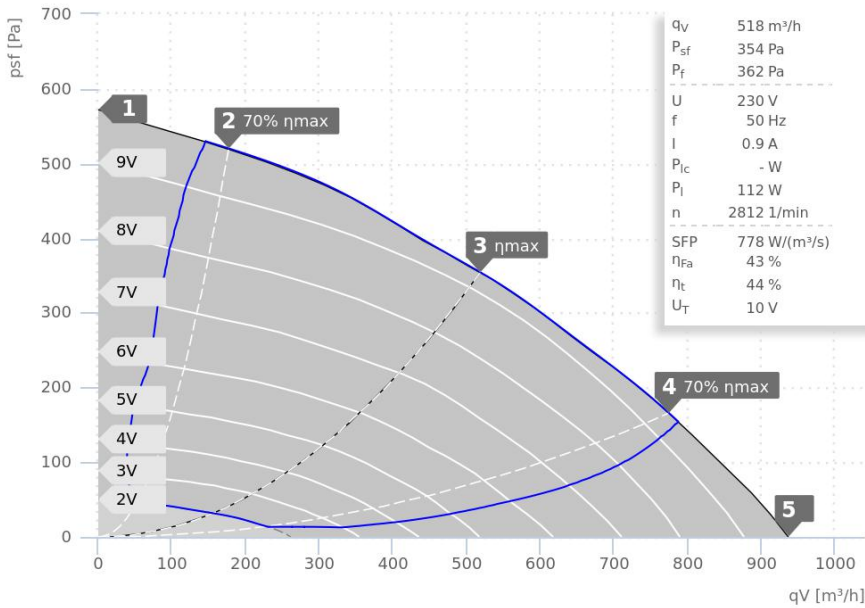
DVA190ECCP31

146926 00



# DATA SHEET

## DVA 220 EC CP 31 | 146928



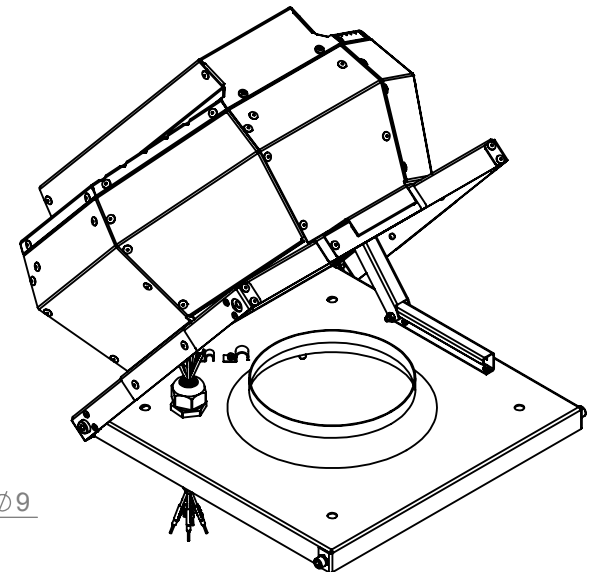
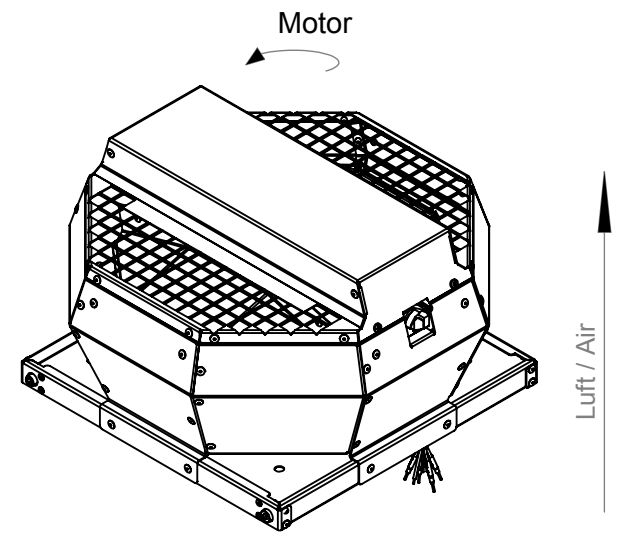
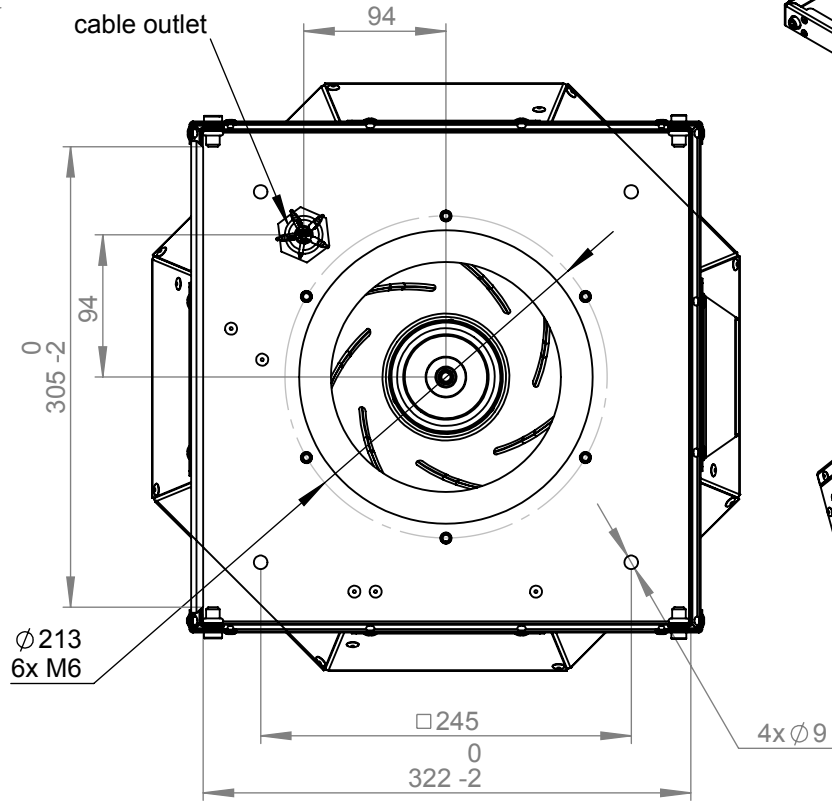
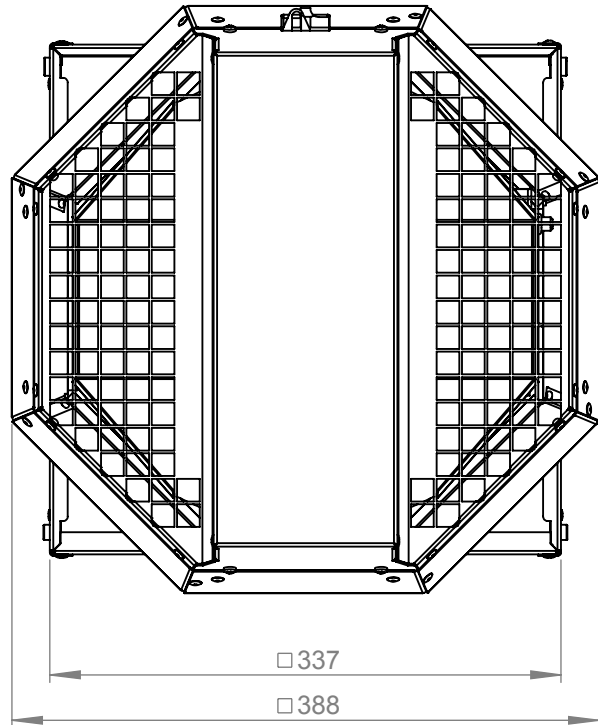
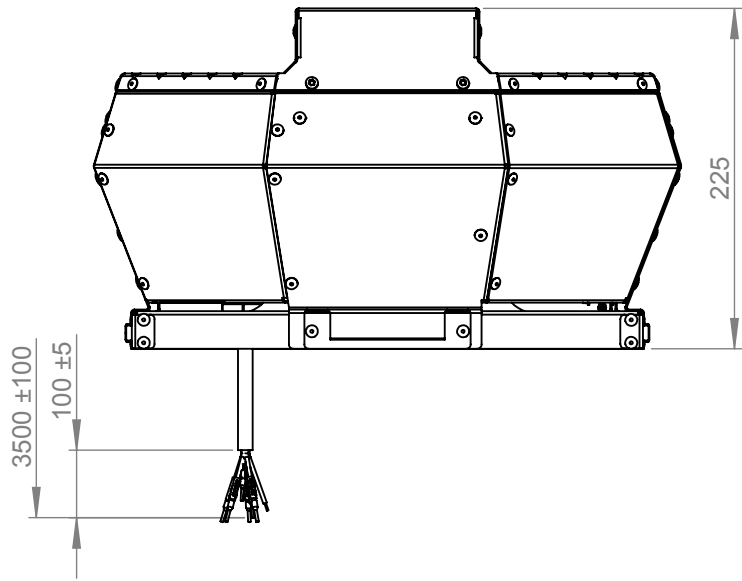
- Backward curved centrifugal fan
- EC motor
- Integrated electronic
- Internal electronic temperature monitoring
- Housing made of aluminium AIMg3
- Integrated main switch
- With constant pressure control
- Swing out design

— ErP compliant range

Operating Point		1	2	3	4	5
Current $I$	A	0,4	0,7	0,9	0,8	0,8
Power consumption $P_i$	W	50	82	112	110	98
Rotation speed $n$	1/min	2934	2935	2814	2860	2917
SWL inlet $L_{WA5}$	dB(A)	74	72	69	69	73
SWL outlet $L_{WA6}$	dB(A)	75	74	70	72	76
SWL housing break out $L_{WA2}$	dB(A)	-	-	-	-	-

Sound power ( $L_W$ ) dB(A)		Medium Frequency Band								
		$\Sigma$	63	125	250	500	1k	2k	4k	8k
Inlet	$L_{WA5}$	69	42	52	58	63	63	60	61	50
Outlet	$L_{WA6}$	70	42	53	60	65	65	64	59	49
Housing radiation	$L_{WA2}$	-	-	-	-	-	-	-	-	-

DVA 220 EC CP 31   146928	
Voltage $U_N$	230 V 1~
Current $I_{max}$	0,9 A
Ambient temperature $t_A$	60 °C
Conveyed medium temperature $t_M$	60 °C
Speed Control	0-10V
Motor protection	TEC
Insulation class motor	F
Weight	5,3 kg
Number of poles	-
IP motor	IP54
IP terminal box	IP44
IP complete unit	IPX4
Min. operating temperature	-30 °C



**ruck**<sup>eu</sup>  
VENTILATOREN  
ruck Ventilatoren  
Max-Planck-Str. 5  
D-97944 Boxberg

Protection Mark according to ISO16016  
Created s.pop 09.07.2018  
Drawn s.pop 09.07.2018  
Released s.pop 09.07.2018  
Disabled

1:5 A4 mm

General tolerances according to DIN ISO 2768-c

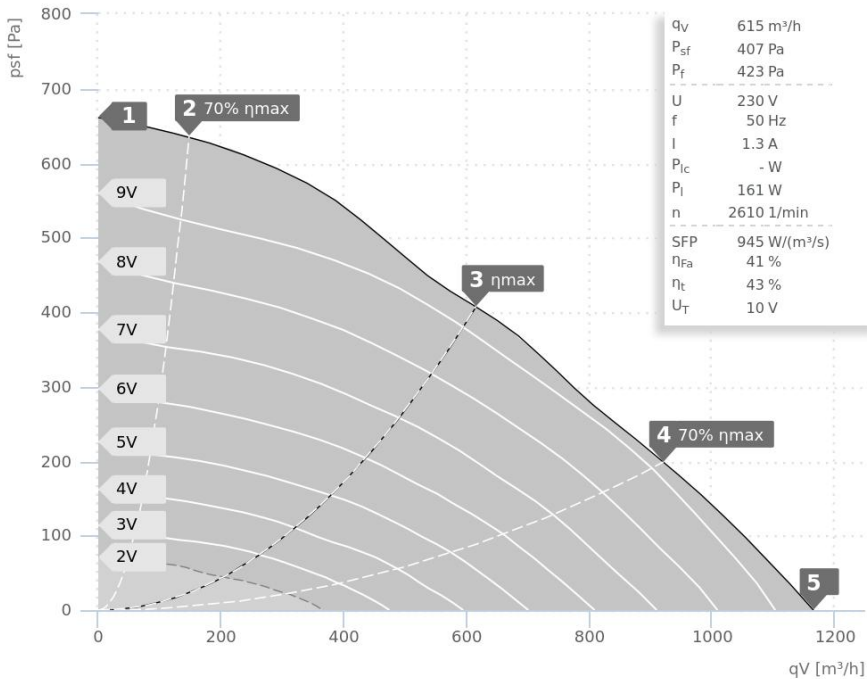
**DVA220ECCP31**

**146928 00**



# DATA SHEET

## DVA 250 EC CP 41 | 149212

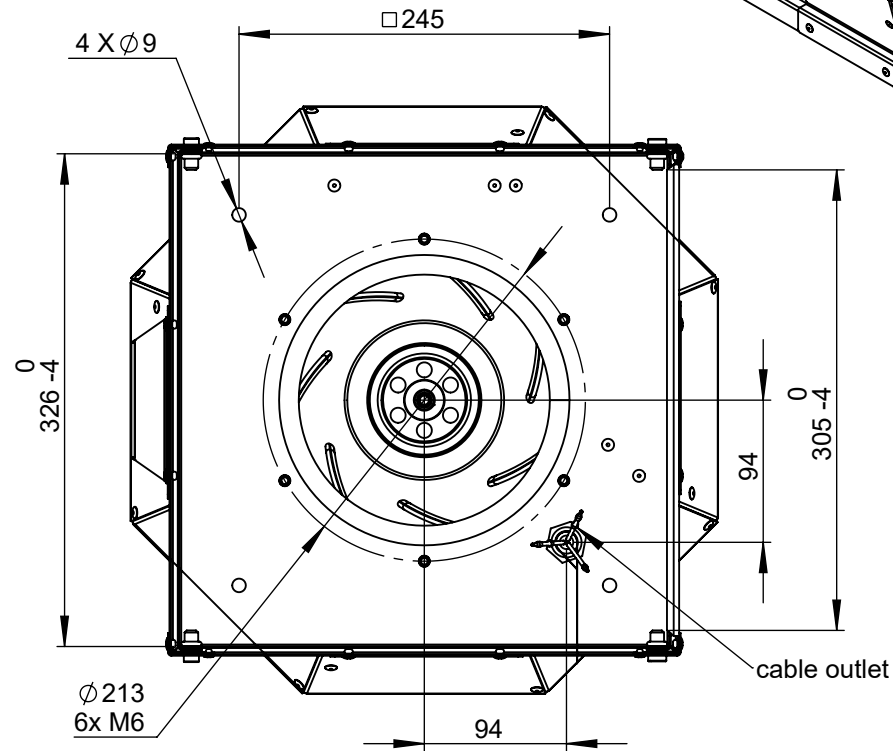
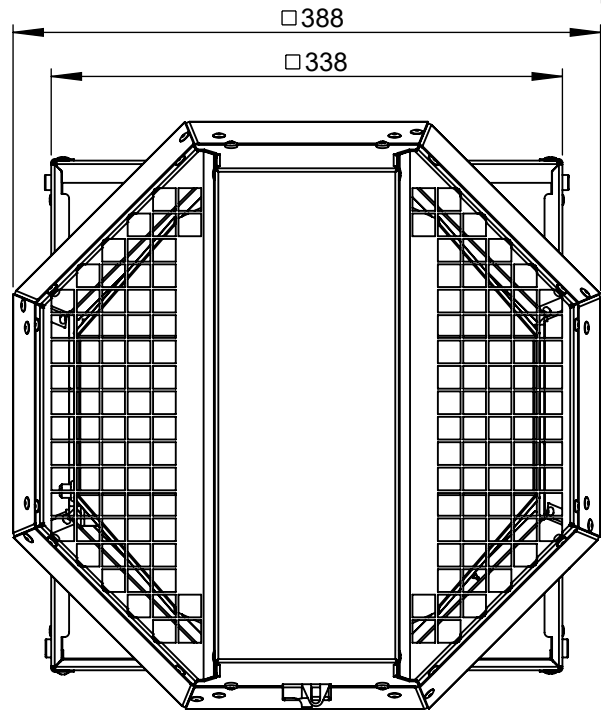
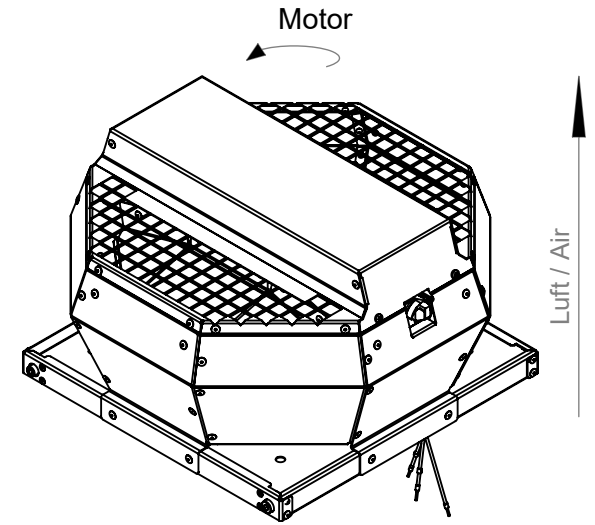
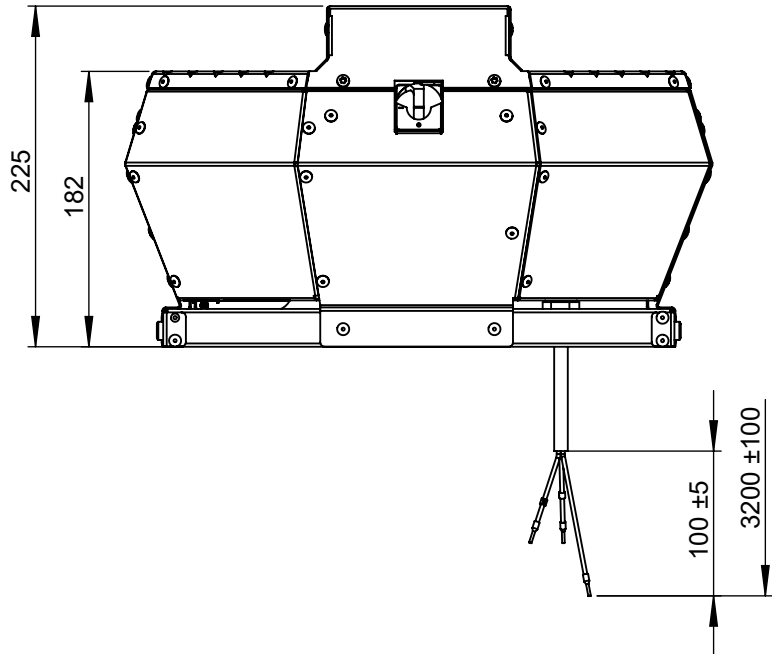


- Backward curved centrifugal fan
- EC motor
- Integrated electronic
- Internal electronic temperature monitoring
- Housing made of aluminium AIMg3
- Integrated main switch
- With constant pressure control
- Swing out design

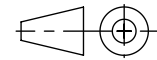
Operating Point		1	2	3	4	5
Current I	A	0,6	0,8	1,3	1,3	1,2
Power consumption P <sub>i</sub>	W	70	85	162	166	154
Rotation speed n	1/min	2797	2795	2611	2598	2667
SWL inlet L <sub>WA5</sub>	dB(A)	74	73	71	73	76
SWL outlet L <sub>WA6</sub>	dB(A)	75	76	74	76	79
SWL housing break out L <sub>WA2</sub>	dB(A)	-	-	-	-	-

Sound power (L <sub>W</sub> ) dB(A)		Medium Frequency Band								
		Σ	63	125	250	500	1k	2k	4k	8k
Inlet	L <sub>WA5</sub>	71	40	55	60	64	66	65	64	53
Outlet	L <sub>WA6</sub>	74	41	54	65	68	68	69	65	53
Housing radiation	L <sub>WA2</sub>	-	-	-	-	-	-	-	-	-

DVA 250 EC CP 41   149212	
Voltage U <sub>N</sub>	230 V 1~
Current I <sub>max</sub>	1,4 A
Ambient temperature t <sub>A</sub>	60 °C
Conveyed medium temperature t <sub>M</sub>	60 °C
Speed Control	0-10V
Motor protection	TEC
Insulation class motor	F
Weight	6,5 kg
Number of poles	-
IP motor	IP54
IP terminal box	IP54
IP complete unit	IPX4
Min. operating temperature	-30 °C



**ruck**<sup>eu</sup>  
VENTILATOREN  
ruck Ventilatoren  
Max-Planck-Str. 5  
D-97944 Boxberg



Protection Mark  
according to ISO 16016  
Created d.ursu  
Drawn d.ursu  
Released d.ursu  
Disabled

1:5 A4 mm

General tolerances  
DIN ISO 2768-c  
19.10.2018  
19.10.2018  
09.11.2021

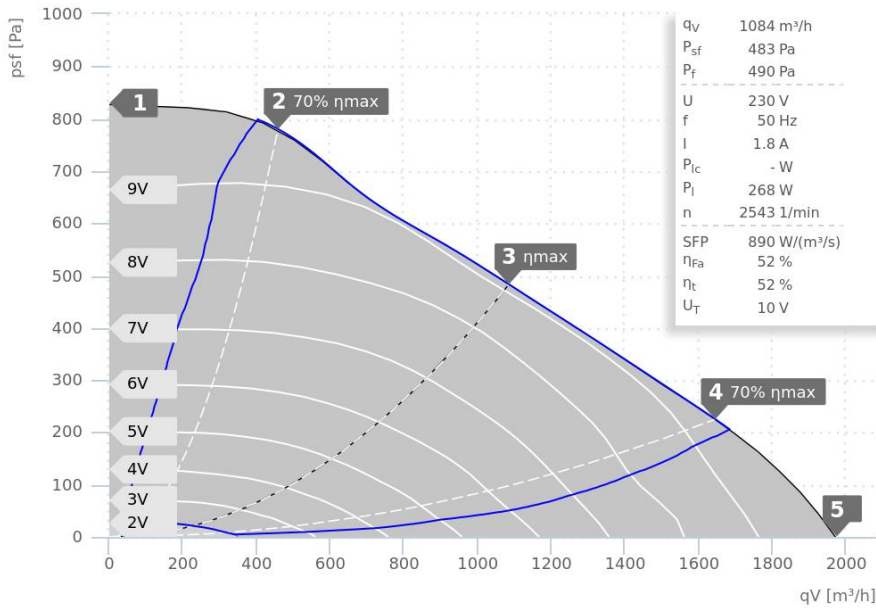
**DVA250ECCP41**

**149212 00**



# DATA SHEET

## DVA 280 EC CP 31 | 146960



- Backward curved centrifugal fan
- EC motor
- Integrated electronic
- Internal electronic temperature monitoring
- Housing made of aluminium AIMg3
- Integrated main switch
- With constant pressure control
- Swing out design

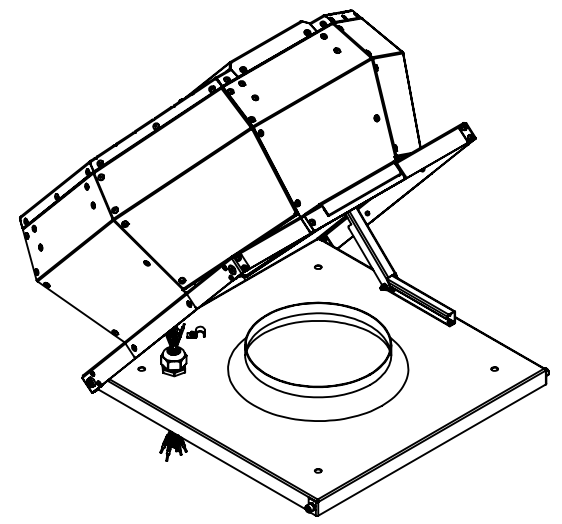
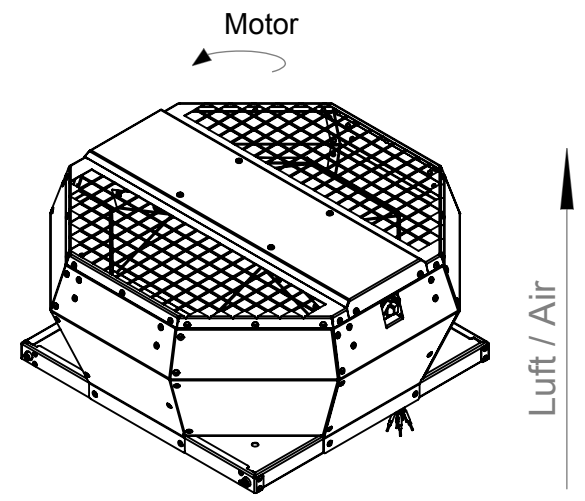
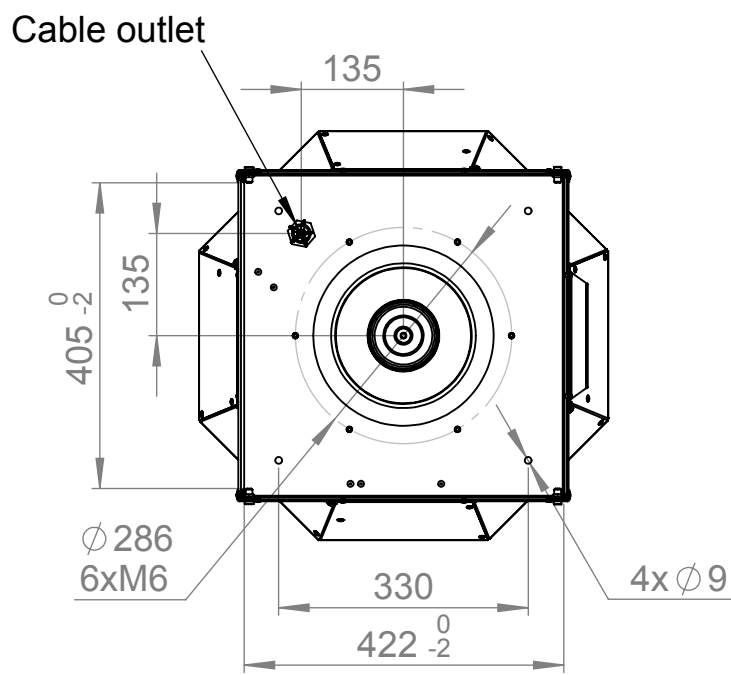
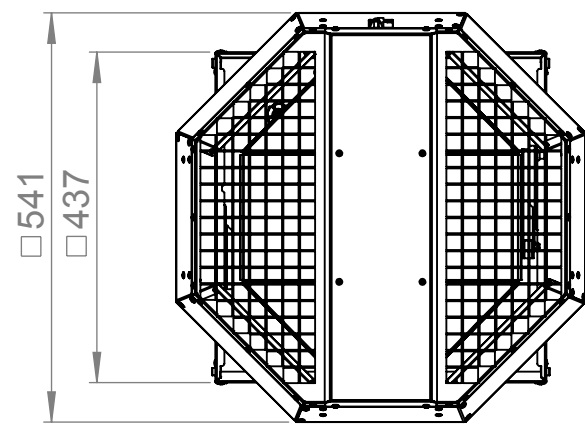
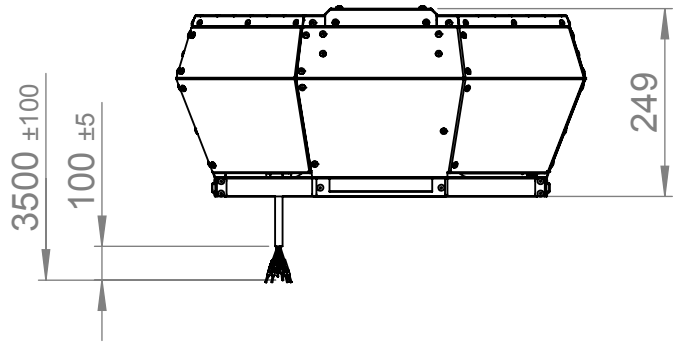
— ErP compliant range

Operating Point		1	2	3	4	5
Current $I$	A	1,0	1,8	1,8	1,8	1,6
Power consumption $P_1$	W	141	262	268	268	242
Rotation speed $n$	1/min	2908	2842	2543	2753	2915
SWL inlet $L_{WA5}$	dB(A)	82	84	78	85	86
SWL outlet $L_{WA6}$	dB(A)	82	84	78	86	83
SWL housing break out $L_{WA2}$	dB(A)	-	-	-	-	-

Sound power ( $L_W$ ) dB(A)		Medium Frequency Band								
		$\Sigma$	63	125	250	500	1k	2k	4k	8k
Inlet	$L_{WA5}$	78	34	46	62	67	68	68	73	74
Outlet	$L_{WA6}$	78	40	51	63	68	77	69	67	64
Housing radiation	$L_{WA2}$	-	-	-	-	-	-	-	-	-

DVA 280 EC CP 31   146960	
Voltage $U_N$	230 V 1~
Current $I_{max}$	1,9 A
Ambient temperature $t_A$	55 °C
Conveyed medium temperature $t_M$	55 °C
Speed Control	0-10V
Motor protection	TEC
Insulation class motor	F
Weight	8,3 kg
Number of poles	-
IP motor	IP33
IP terminal box	IP44
IP complete unit	IPX4
Min. operating temperature	-30 °C





**ruck**<sup>eu</sup>  
VENTILATOREN  
ruck Ventilatoren  
Max-Planck-Str. 5  
D-97944 Boxberg

Protection Mark  
according to ISO16016  
Created s.pop  
Drawn s.pop  
Released s.pop  
Disabled

1:10 A4 mm  
General tolerances  
DIN ISO 2768-c  
10.07.2018  
10.07.2018  
10.07.2018

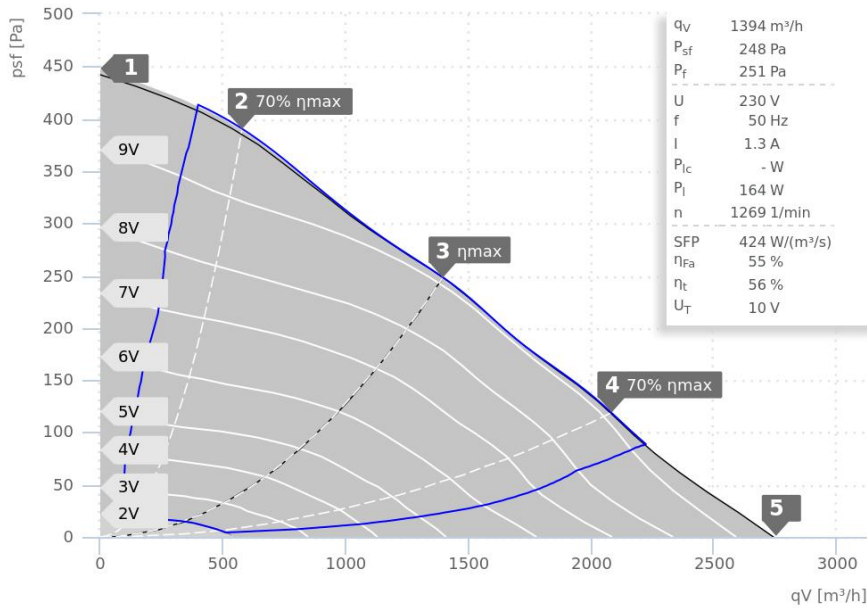
**DVA280ECCP31**  
**146960 00**





# DATA SHEET

## DVA 355 EC CP 31 | 146966



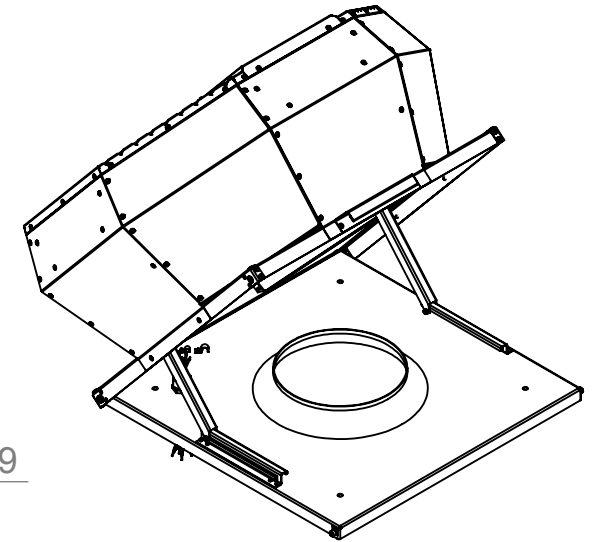
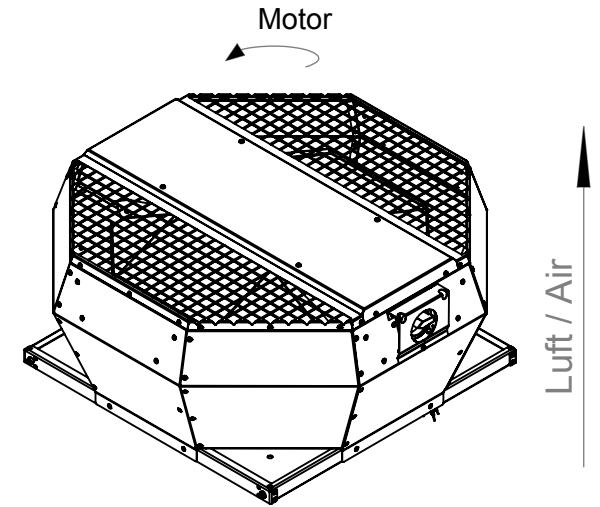
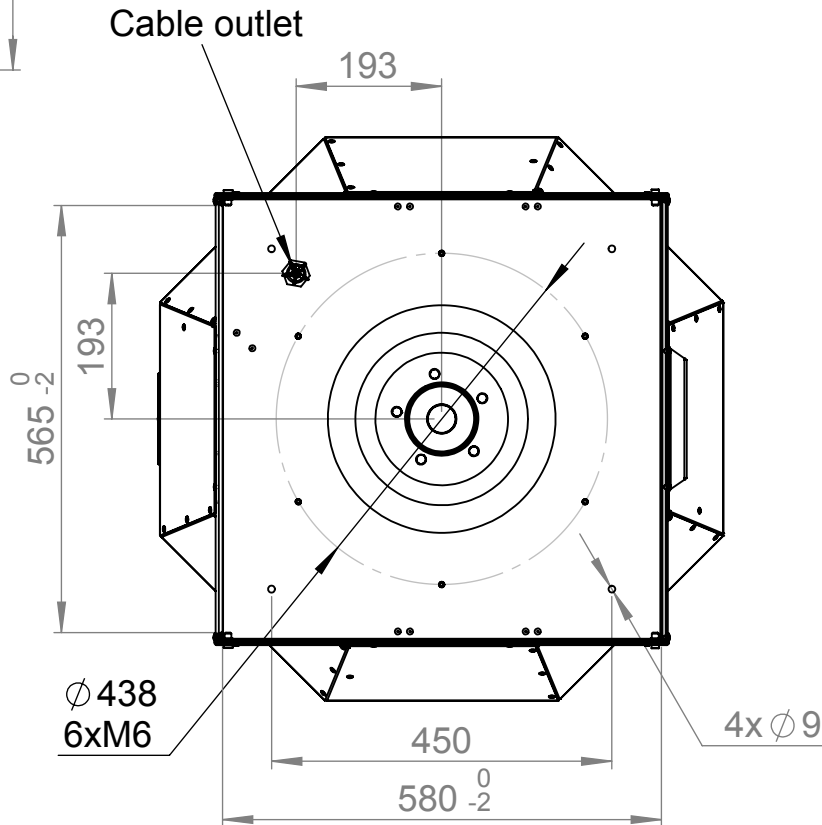
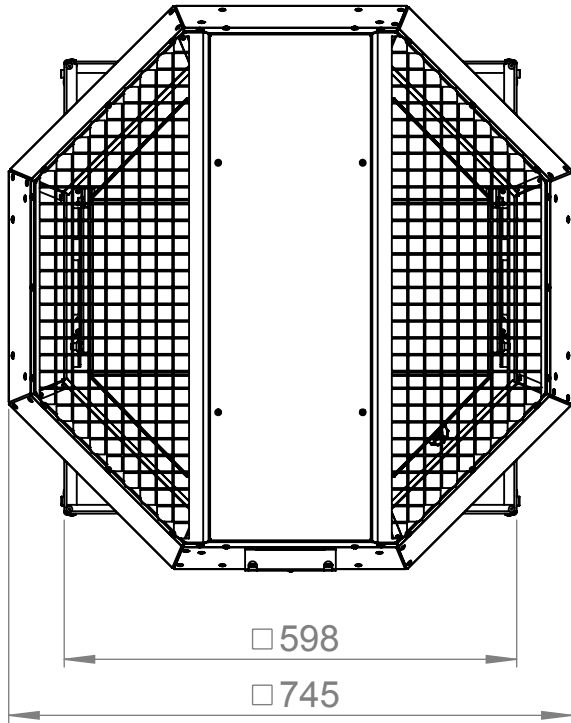
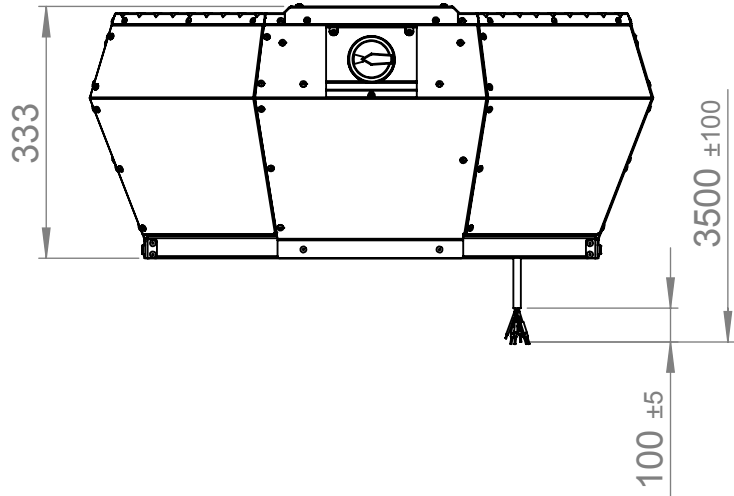
- Backward curved centrifugal fan
- EC motor
- Integrated electronic
- Internal electronic temperature monitoring
- Housing made of aluminium AIMg3
- Integrated main switch
- With constant pressure control
- Swing out design

— ErP compliant range

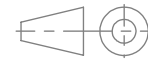
Operating Point		1	2	3	4	5
Current I	A	0,9	1,2	1,3	1,3	1,3
Power consumption P <sub>i</sub>	W	106	154	164	165	164
Rotation speed n	1/min	1542	1464	1270	1302	1383
SWL inlet L <sub>WA5</sub>	dB(A)	70	69	67	70	75
SWL outlet L <sub>WA6</sub>	dB(A)	72	70	68	72	76
SWL housing break out L <sub>WA2</sub>	dB(A)	-	-	-	-	-

Sound power (L <sub>W</sub> ) dB(A)		Medium Frequency Band								
		Σ	63	125	250	500	1k	2k	4k	8k
Inlet	L <sub>WA5</sub>	67	32	46	52	58	59	65	53	44
Outlet	L <sub>WA6</sub>	68	33	48	55	58	62	65	52	43
Housing radiation	L <sub>WA2</sub>	-	-	-	-	-	-	-	-	-

DVA 355 EC CP 31   146966	
Voltage U <sub>N</sub>	230 V 1~
Current I <sub>max</sub>	1,4 A
Ambient temperature t <sub>A</sub>	60 °C
Conveyed medium temperature t <sub>M</sub>	60 °C
Speed Control	0-10V
Motor protection	TEC
Insulation class motor	B
Weight	15,5 kg
Number of poles	-
IP motor	IP54
IP terminal box	IP44
IP complete unit	IPX4
Min. operating temperature	-25 °C



**ruck**<sup>eu</sup>  
VENTILATOREN  
ruck Ventilatoren  
Max-Planck-Str. 5  
D-97944 Boxberg



Protection Mark  
according to ISO 16016

Created s.pop  
Drawn s.pop  
Released s.pop  
Disabled

1:10 A4 mm

General tolerances  
DIN ISO 2768-c

10.07.2018  
10.07.2018  
10.07.2018

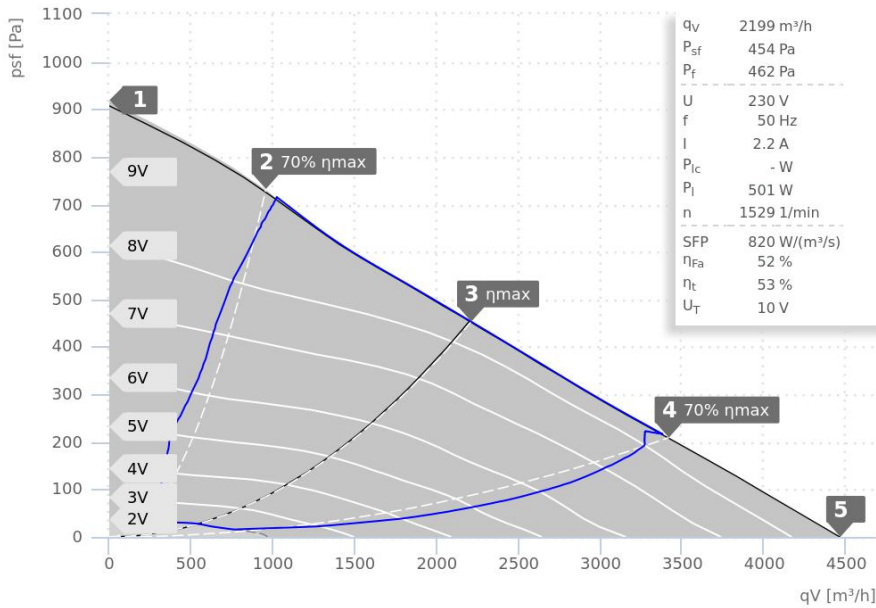
**DVA355ECCP31**

**146966 00**

**VENTAS**  
VENTILATORER

# DATA SHEET

## DVA 400 EC CP 31 | 146975



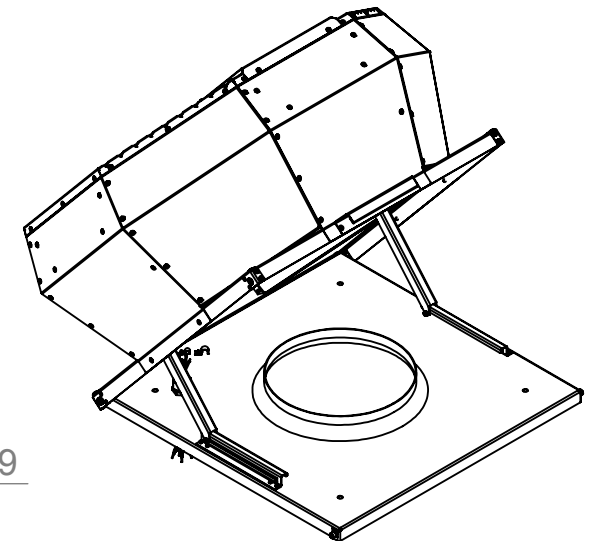
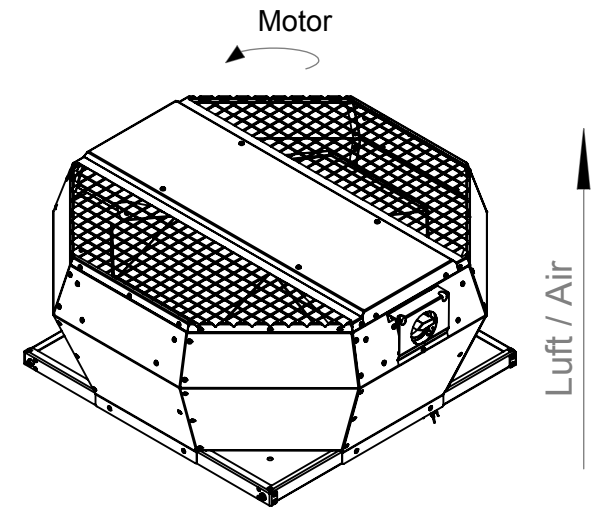
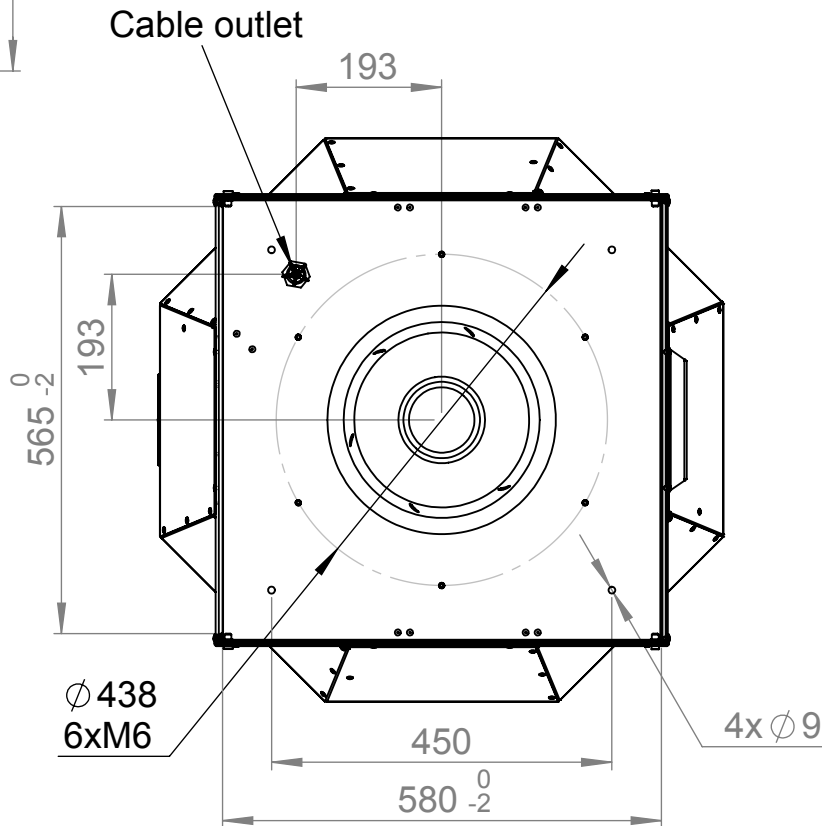
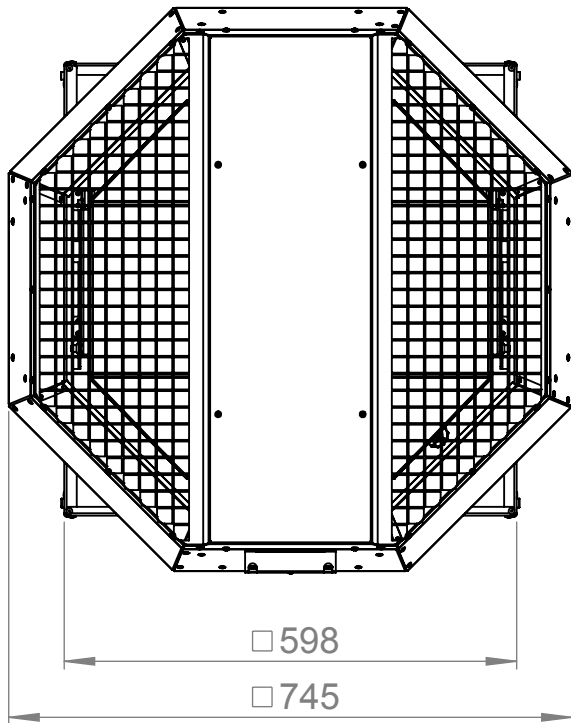
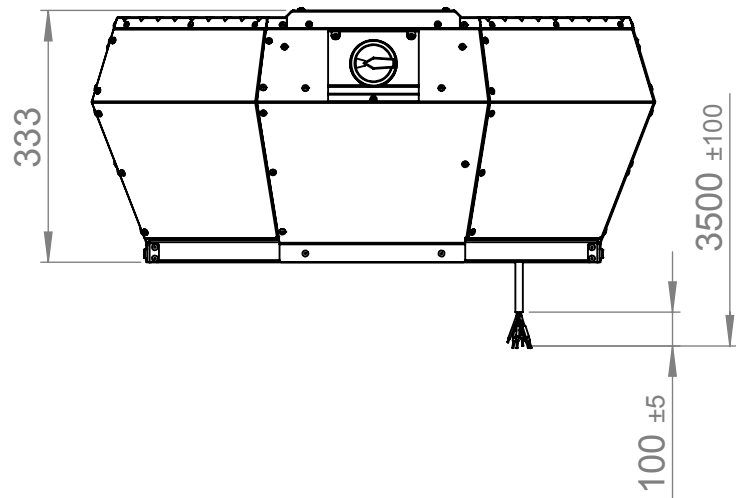
- Backward curved centrifugal fan
- EC motor
- Integrated electronic
- Internal electronic temperature monitoring
- Housing made of aluminium AIMg3
- Integrated main switch
- With constant pressure control
- Swing out design

— ErP compliant range

Operating Point		1	2	3	4	5
Current I	A	1,5	2,2	2,2	2,2	2,2
Power consumption P <sub>i</sub>	W	342	509	501	501	503
Rotation speed n	1/min	1978	1806	1528	1505	1579
SWL inlet L <sub>WA5</sub>	dB(A)	79	77	69	73	77
SWL outlet L <sub>WA6</sub>	dB(A)	82	79	73	77	82
SWL housing break out L <sub>WA2</sub>	dB(A)	-	-	-	-	-

Sound power (L <sub>W</sub> ) dB(A)		Medium Frequency Band								
		Σ	63	125	250	500	1k	2k	4k	8k
Inlet	L <sub>WA5</sub>	69	40	56	60	62	62	64	62	51
Outlet	L <sub>WA6</sub>	73	42	61	66	66	67	66	62	51
Housing radiation	L <sub>WA2</sub>	-	-	-	-	-	-	-	-	-

DVA 400 EC CP 31   146975	
Voltage U <sub>N</sub>	230 V 1~
Current I <sub>max</sub>	2,3 A
Ambient temperature t <sub>A</sub>	50 °C
Conveyed medium temperature t <sub>M</sub>	50 °C
Speed Control	0-10V
Motor protection	TEC
Insulation class motor	F
Weight	19,5 kg
Number of poles	-
IP motor	IP54
IP terminal box	IP44
IP complete unit	IPX4
Min. operating temperature	-25 °C



**ruck**<sup>eu</sup>  
VENTILATOREN  
ruck Ventilatoren  
Max-Planck-Str. 5  
D-97944 Boxberg



Protection Mark  
according to ISO 16016

Created s.pop  
Drawn s.pop  
Released s.pop  
Disabled

1:10 A4 mm

General tolerances  
DIN ISO 2768-c

**DVA400ECCP31**

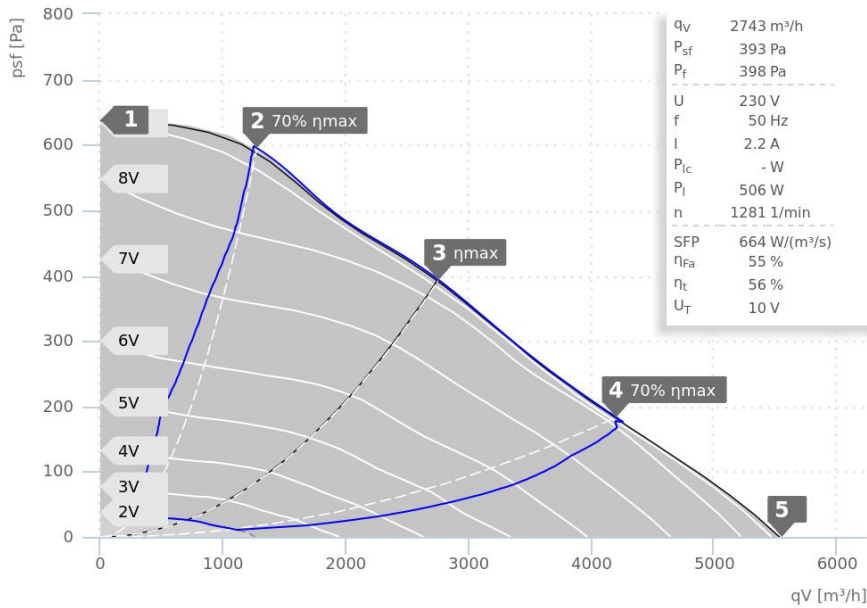
**146975 00**



# DATA SHEET

**ruck**.eu  
VENTILATOREN

DVA 450 EC CP 31 | 146988



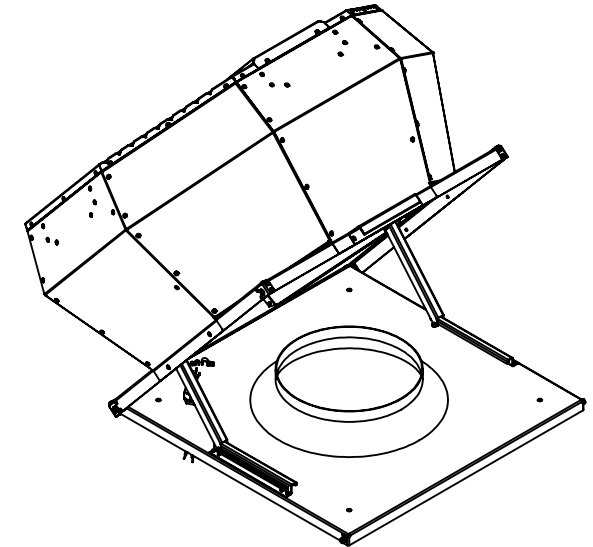
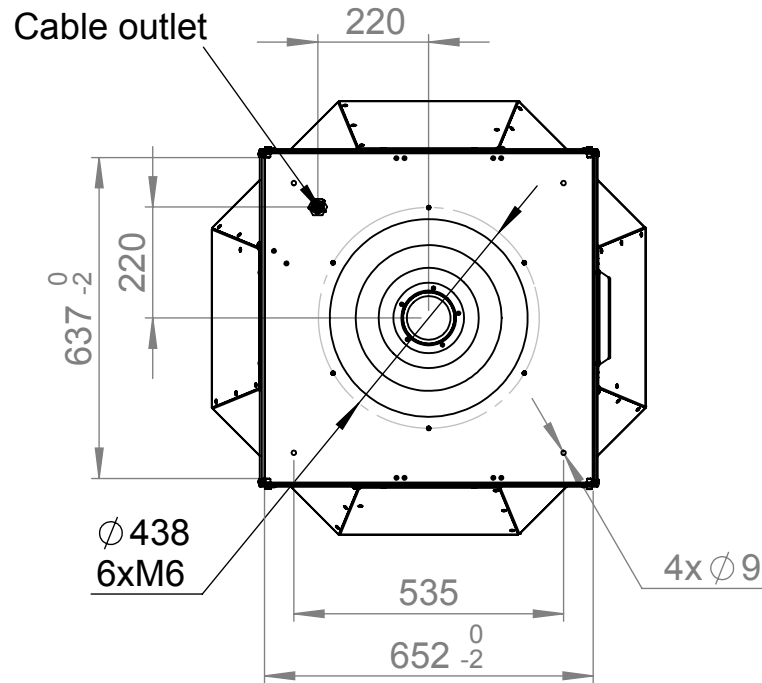
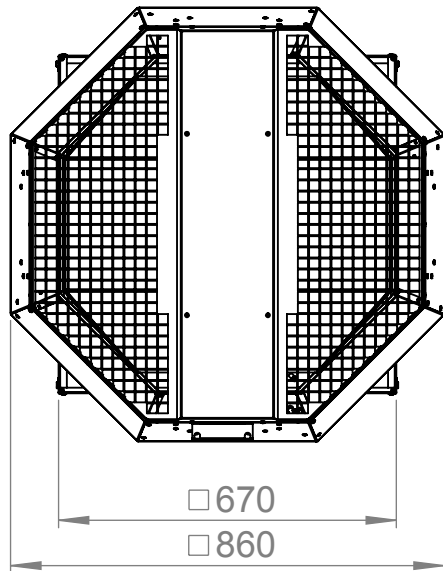
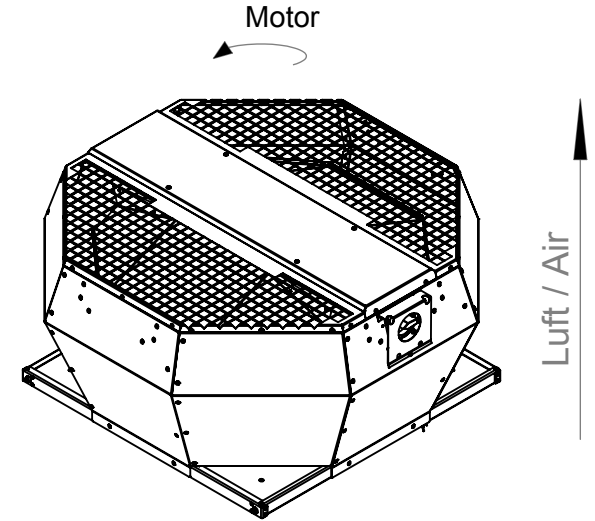
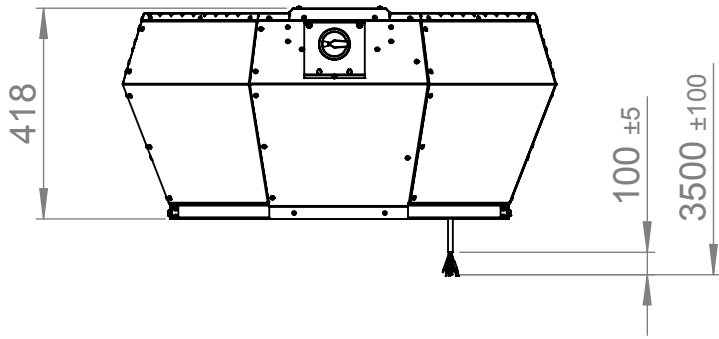
- Backward curved centrifugal fan
- EC motor
- Integrated electronic
- Internal electronic temperature monitoring
- Housing made of aluminium AIMg3
- Integrated main switch
- With constant pressure control
- Swing out design

— ErP compliant range

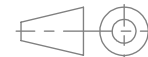
Operating Point		1	2	3	4	5
Current $I$	A	1,3	2,3	2,2	2,2	2,2
Power consumption $P_1$	W	277	524	507	507	508
Rotation speed $n$	1/min	1514	1466	1280	1265	1350
SWL inlet $L_{WA5}$	dB(A)	77	77	72	70	77
SWL outlet $L_{WA6}$	dB(A)	80	79	73	75	81
SWL housing break out $L_{WA2}$	dB(A)	-	-	-	-	-

Sound power ( $L_W$ ) dB(A)		Medium Frequency Band								
		$\Sigma$	63	125	250	500	1k	2k	4k	8k
Inlet	$L_{WA5}$	72	44	59	64	68	64	63	58	50
Outlet	$L_{WA6}$	73	44	60	66	67	68	65	60	51
Housing radiation	$L_{WA2}$	-	-	-	-	-	-	-	-	-

DVA 450 EC CP 31   146988	
Voltage $U_N$	230 V 1~
Current $I_{max}$	2,3 A
Ambient temperature $t_A$	50 °C
Conveyed medium temperature $t_M$	50 °C
Speed Control	0-10V
Motor protection	TEC
Insulation class motor	F
Weight	22,1 kg
Number of poles	-
IP motor	IP54
IP terminal box	IP44
IP complete unit	IPX4
Min. operating temperature	-25 °C



**ruck**<sup>eu</sup>  
VENTILATOREN  
ruck Ventilatoren  
Max-Planck-Str. 5  
D-97944 Boxberg



Protection Mark  
according to ISO 16016

Created s.pop  
Drawn s.pop  
Released s.pop  
Disabled

1:15 A4 mm

General tolerances  
DIN ISO 2768-c

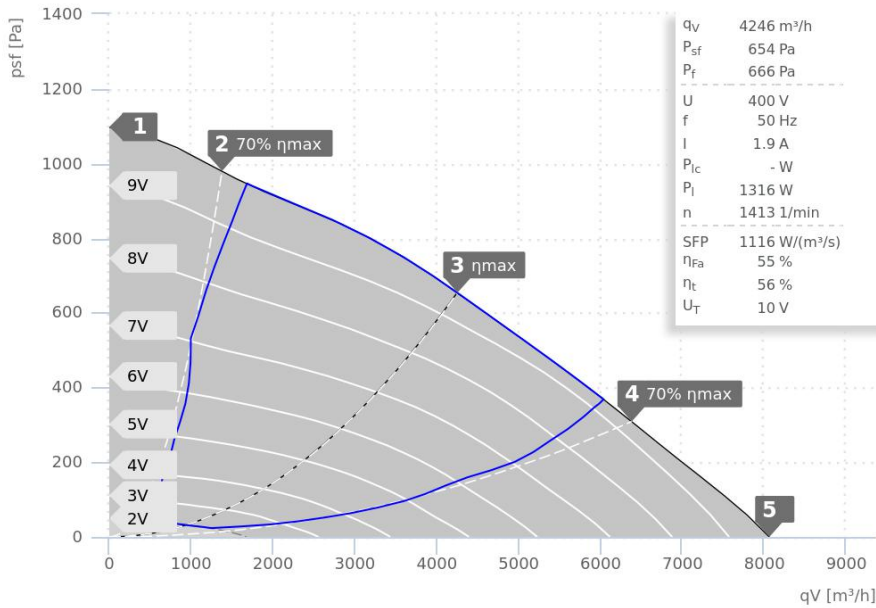
**DVA450ECCP31**

**146988 00**

**VENTAS**  
VENTILATORER

# DATA SHEET

## DVA 500 EC CP 31 | 146999



- Backward curved centrifugal fan
- EC motor
- Integrated electronic
- Internal electronic temperature monitoring
- Housing made of aluminium AIMg3
- Integrated main switch
- With constant pressure control
- Swing out design

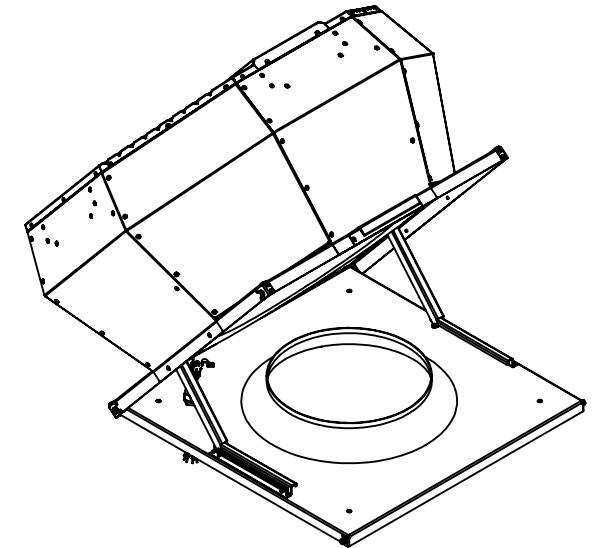
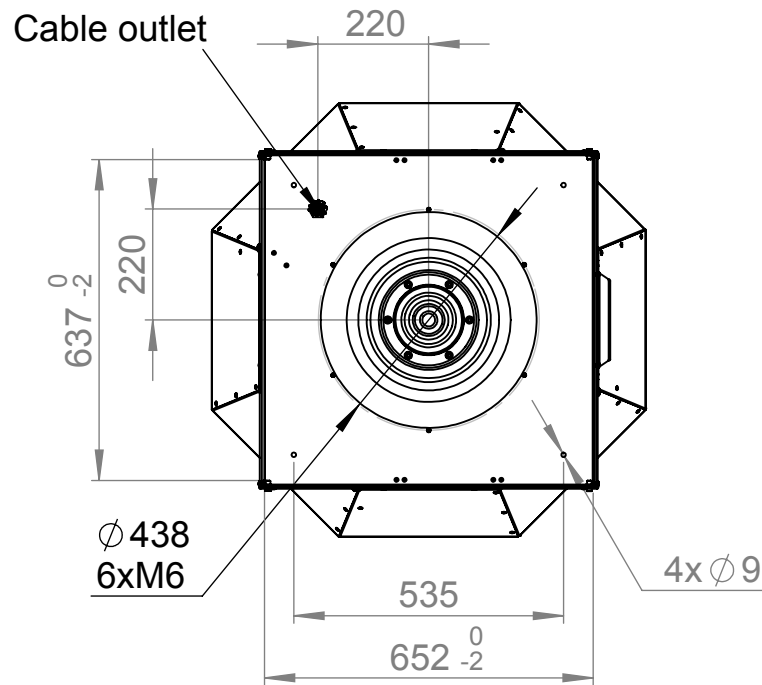
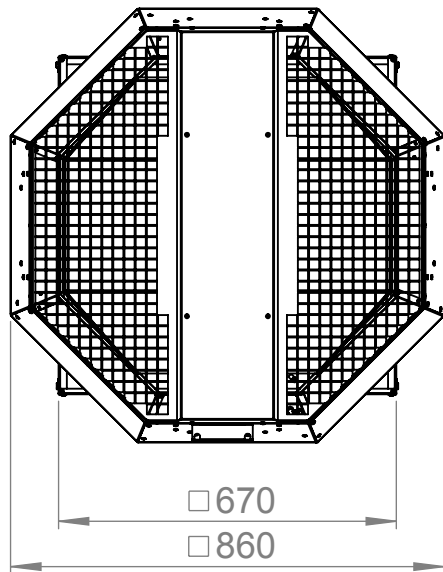
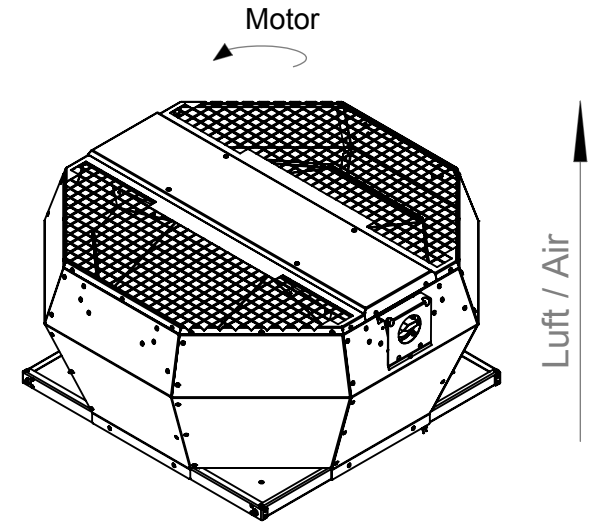
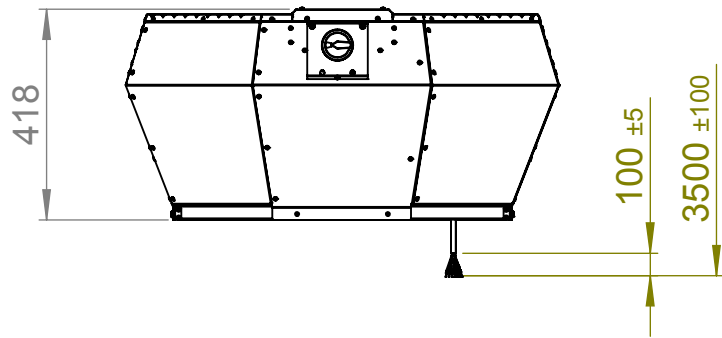
— ErP compliant range

Operating Point		1	2	3	4	5
Current I	A	0,9	1,4	1,9	1,9	1,9
Power consumption P <sub>i</sub>	W	586	913	1316	1324	1330
Rotation speed n	1/min	1628	1567	1413	1390	1462
SWL inlet L <sub>WA5</sub>	dB(A)	80	79	74	77	81
SWL outlet L <sub>WA6</sub>	dB(A)	84	83	79	82	87
SWL housing break out L <sub>WA2</sub>	dB(A)	-	-	-	-	-

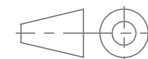
Sound power (L <sub>W</sub> ) dB(A)		Medium Frequency Band								
		Σ	63	125	250	500	1k	2k	4k	8k
Inlet	L <sub>WA5</sub>	74	47	64	67	67	67	66	64	58
Outlet	L <sub>WA6</sub>	79	52	69	71	74	74	71	67	60
Housing radiation	L <sub>WA2</sub>	-	-	-	-	-	-	-	-	-

DVA 500 EC CP 31   146999	
Voltage U <sub>N</sub>	400 V 3-N
Current I <sub>max</sub>	2,1 A
Ambient temperature t <sub>A</sub>	50 °C
Conveyed medium temperature t <sub>M</sub>	50 °C
Speed Control	0-10V
Motor protection	TEC
Insulation class motor	F
Weight	30,5 kg
Number of poles	-
IP motor	IP54
IP terminal box	IP44
IP complete unit	IPX4
Min. operating temperature	-25 °C





**ruck**  
VENTILATOREN  
ruck Ventilatoren  
Max-Planck-Str. 5  
D-97944 Boxberg



Protection Mark  
according to ISO 16016

Created s.pop  
Drawn s.pop  
Released s.pop  
Disabled

1:15 A4 mm

General tolerances  
DIN ISO 2768-c

10.07.2018  
10.07.2018  
10.07.2018

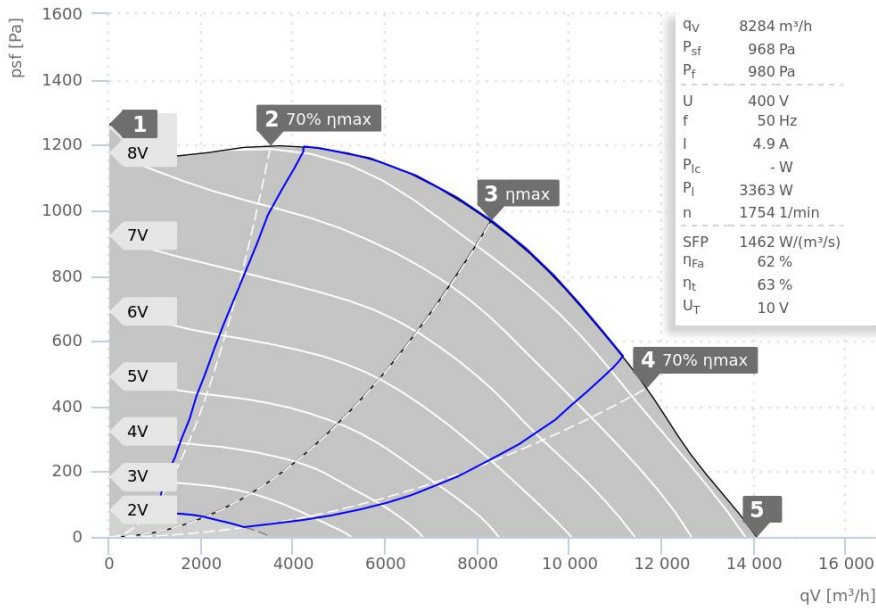
**DVA500ECCP31**

**146999 00**

**VENTAS**  
VENTILATORER

# DATA SHEET

## DVA 560 EC CP 31 | 147002



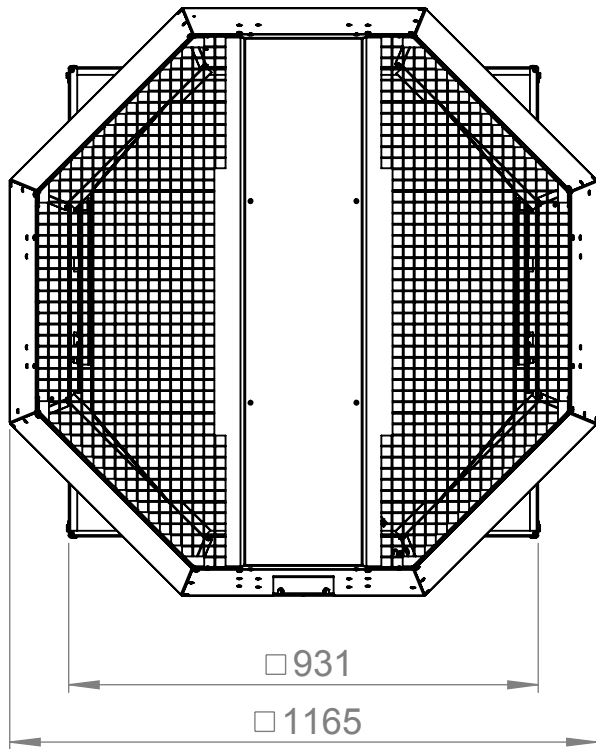
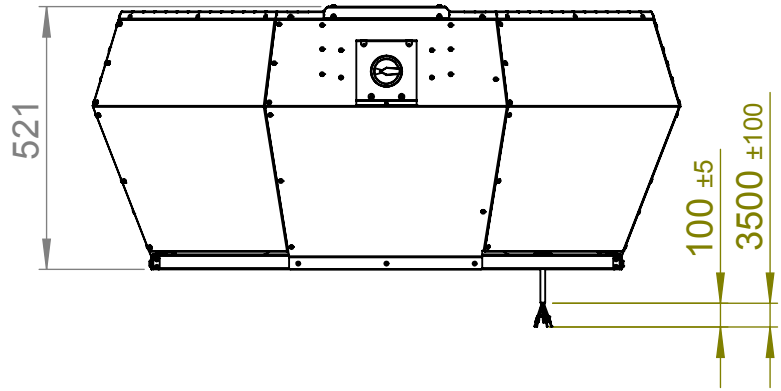
- Backward curved centrifugal fan
- EC motor
- Integrated electronic
- Internal electronic temperature monitoring
- Housing made of aluminium AIMg3
- Integrated main switch
- With constant pressure control
- Swing out design

— ErP compliant range

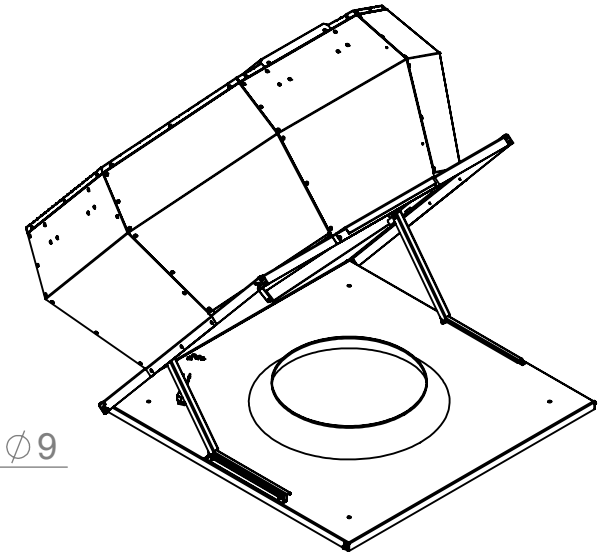
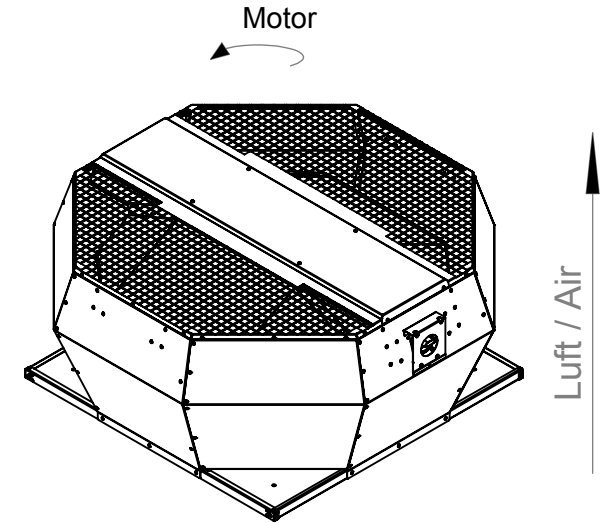
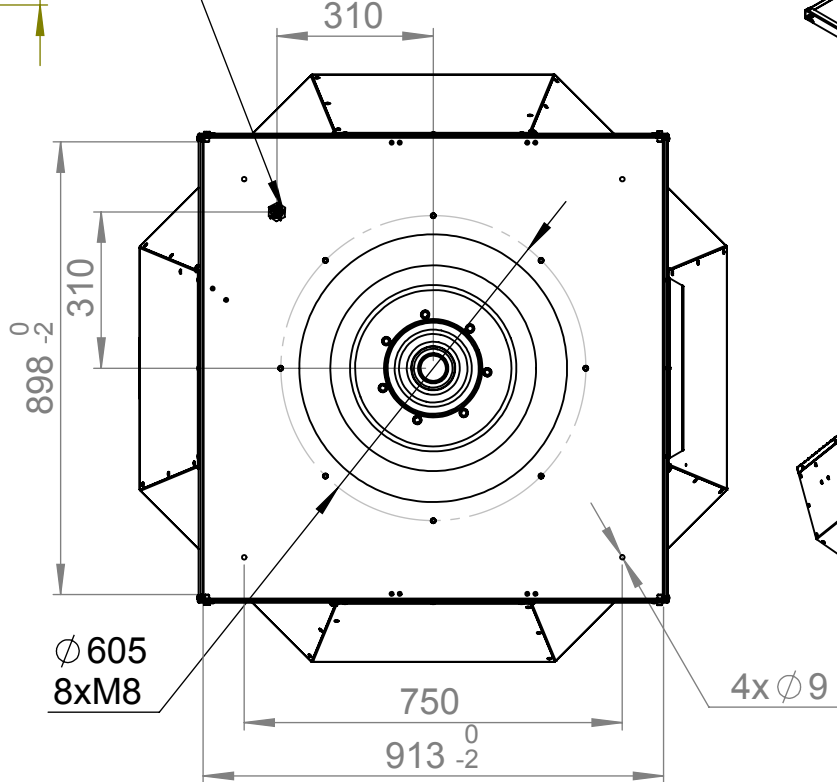
Operating Point		1	2	3	4	5
Current $I$	A	1,8	3,7	4,9	4,7	4,0
Power consumption $P_1$	W	1179	2509	3379	3211	2815
Rotation speed $n$	1/min	1789	1781	1757	1747	1784
SWL inlet $L_{WA5}$	dB(A)	87	87	85	87	90
SWL outlet $L_{WA6}$	dB(A)	90	89	87	89	92
SWL housing break out $L_{WA2}$	dB(A)	-	-	-	-	-

Sound power ( $L_W$ ) dB(A)		Medium Frequency Band								
		$\Sigma$	63	125	250	500	1k	2k	4k	8k
Inlet	$L_{WA5}$	85	49	77	80	80	79	75	70	64
Outlet	$L_{WA6}$	87	56	76	79	80	82	78	72	65
Housing radiation	$L_{WA2}$	-	-	-	-	-	-	-	-	-

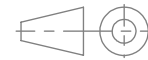
DVA 560 EC CP 31   147002	
Voltage $U_N$	400 V 3-N
Current $I_{max}$	5,2 A
Ambient temperature $t_A$	60 °C
Conveyed medium temperature $t_M$	60 °C
Speed Control	0-10V
Motor protection	TEC
Insulation class motor	F
Weight	50,8 kg
Number of poles	-
IP motor	IP55
IP terminal box	-
IP complete unit	-
Min. operating temperature	-30 °C



Cable outlet



**ruck**<sup>eu</sup>  
VENTILATOREN  
ruck Ventilatoren  
Max-Planck-Str. 5  
D-97944 Boxberg



Protection Mark  
according to ISO 16016

Created s.pop  
Drawn s.pop  
Released s.pop  
Disabled

1:15 A4 mm

General tolerances  
DIN ISO 2768-c

11.07.2018  
11.07.2018  
11.07.2018

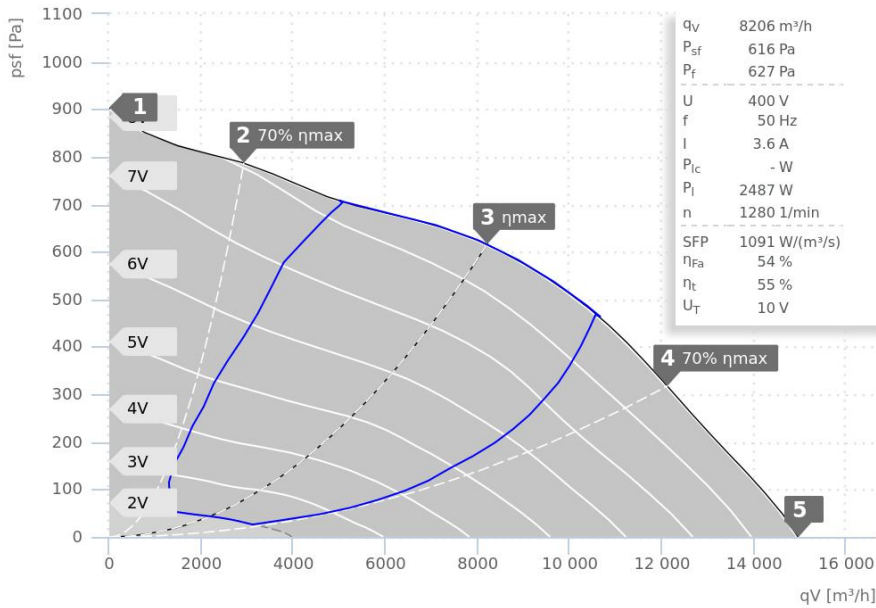
**DVA560ECCP31**

**147002 00**

**VENTAS**  
VENTILATORER

# DATA SHEET

## DVA 630 EC CP 41 | 157377



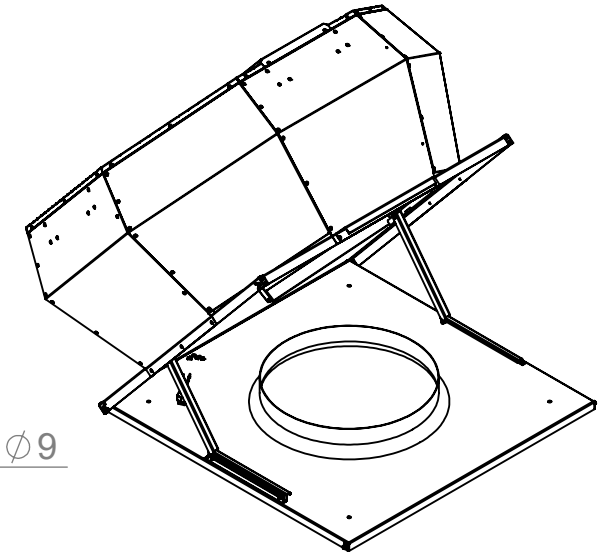
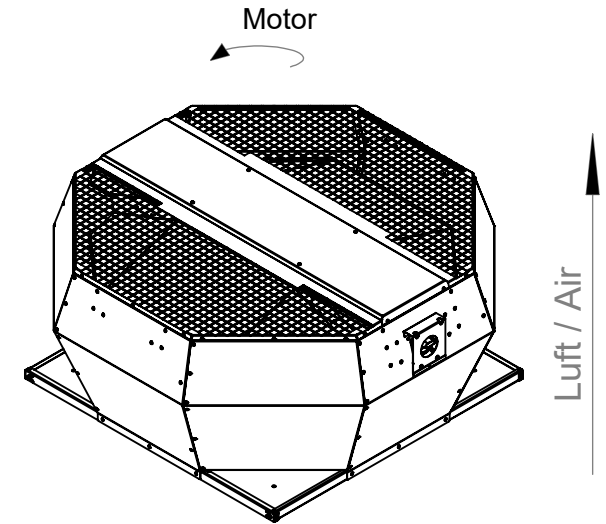
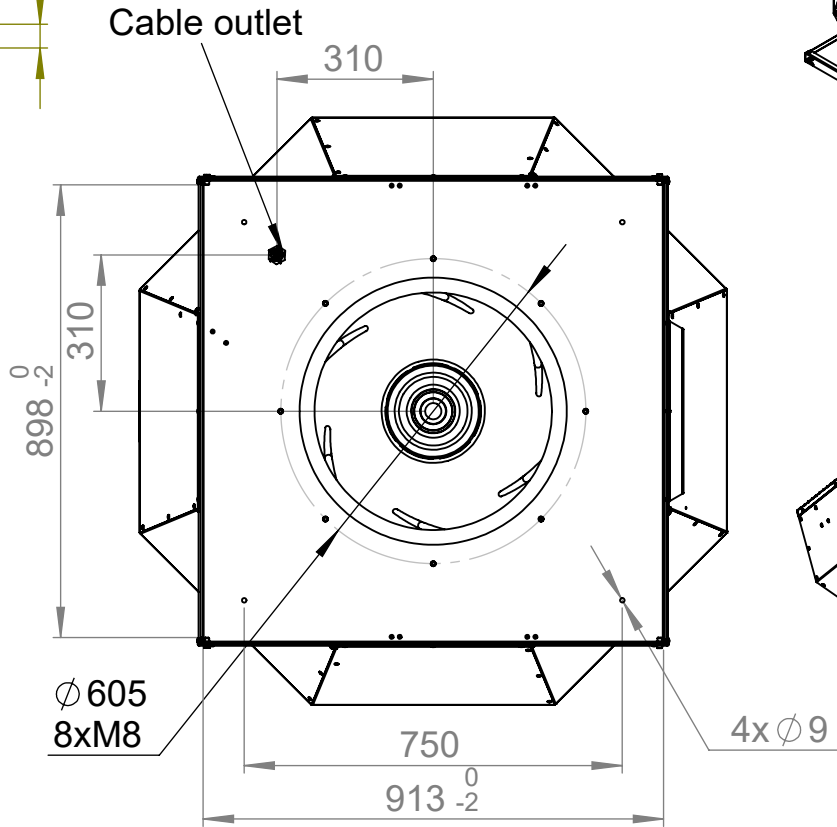
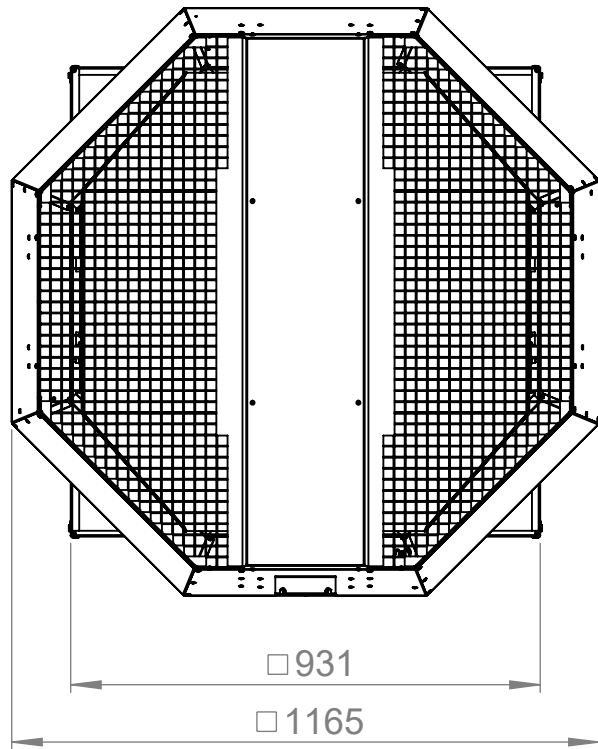
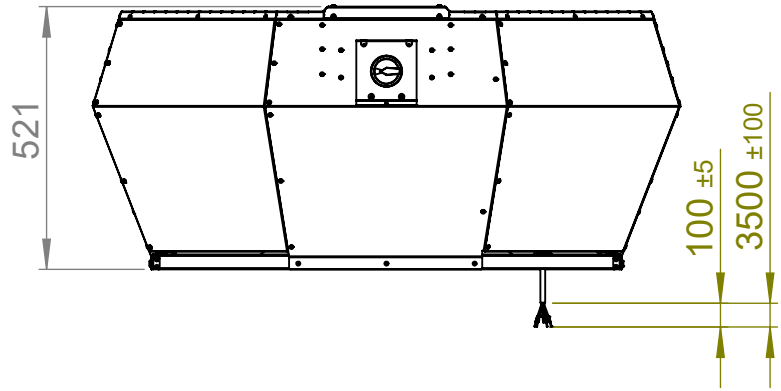
- Backward curved centrifugal fan
- EC motor
- Integrated electronic
- Internal electronic temperature monitoring
- Housing made of aluminium AIMg3
- Integrated main switch
- With constant pressure control
- Swing out design

— ErP compliant range

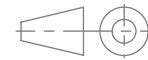
Operating Point		1	2	3	4	5
Current $I$	A	1,6	2,4	3,6	3,9	3,8
Power consumption $P_1$	W	1034	1632	2483	2695	2582
Rotation speed $n$	1/min	1298	1288	1281	1272	1279
SWL inlet $L_{WA5}$	dB(A)	81	83	83	81	82
SWL outlet $L_{WA6}$	dB(A)	86	86	84	85	87
SWL housing break out $L_{WA2}$	dB(A)	-	-	-	-	-

Sound power ( $L_W$ ) dB(A)		Medium Frequency Band								
		$\Sigma$	63	125	250	500	1k	2k	4k	8k
Inlet	$L_{WA5}$	83	58	73	78	77	75	73	68	62
Outlet	$L_{WA6}$	84	61	74	79	79	78	75	70	62
Housing radiation	$L_{WA2}$	-	-	-	-	-	-	-	-	-

DVA 630 EC CP 41   157377	
Voltage $U_N$	400 V 3-N
Current $I_{max}$	4,1 A
Ambient temperature $t_A$	40 °C
Conveyed medium temperature $t_M$	40 °C
Speed Control	0-10V
Motor protection	TEC
Insulation class motor	F
Weight	50,3 kg
Number of poles	-
IP motor	IP55
IP terminal box	-
IP complete unit	-
Min. operating temperature	-25 °C



**ruck**<sup>eu</sup>  
VENTILATOREN  
ruck Ventilatoren  
Max-Planck-Str. 5  
D-97944 Boxberg



Protection Mark  
according to ISO16016

Created d.hancu  
Drawn d.hancu  
Released d.hancu  
Disabled

1:15 A4 mm

General tolerances  
DIN ISO 2768-c

17.03.2021  
17.03.2021  
18.03.2021

**DVA630ECCP41**

**157377 00**

**VENTAS**  
VENTILATORER