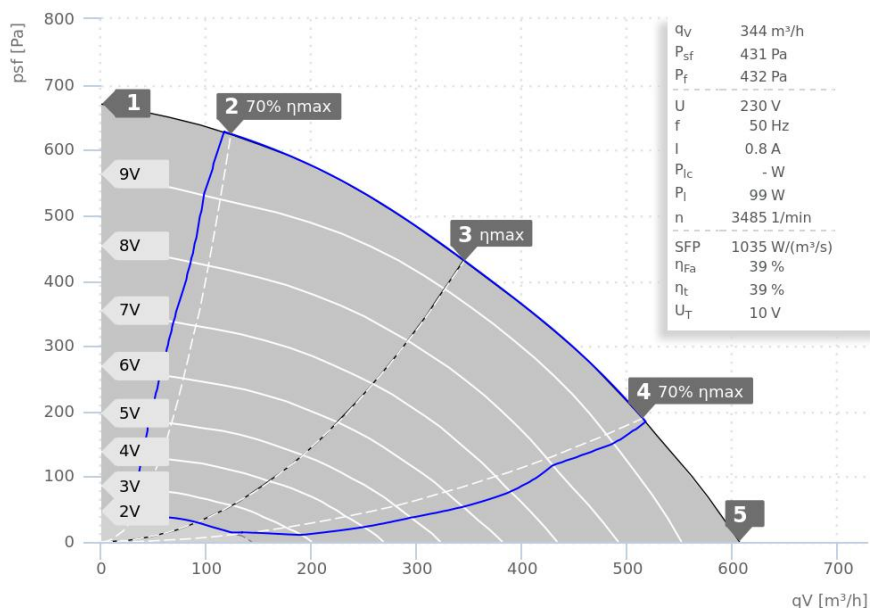


DATA SHEET

DVA 190 ECP 31 | 139098

ruck.eu
VENTILATOREN



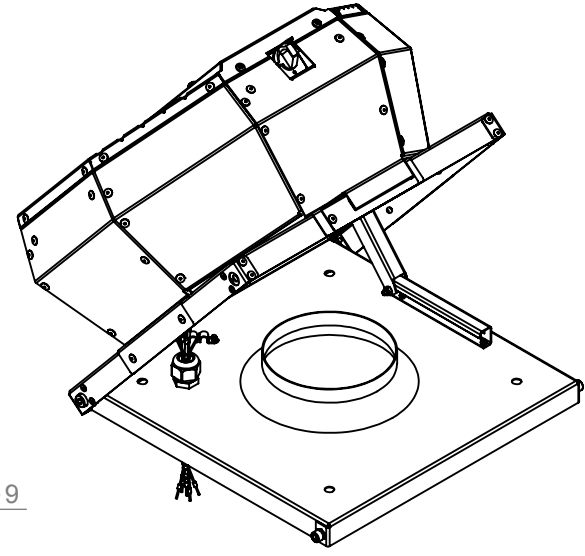
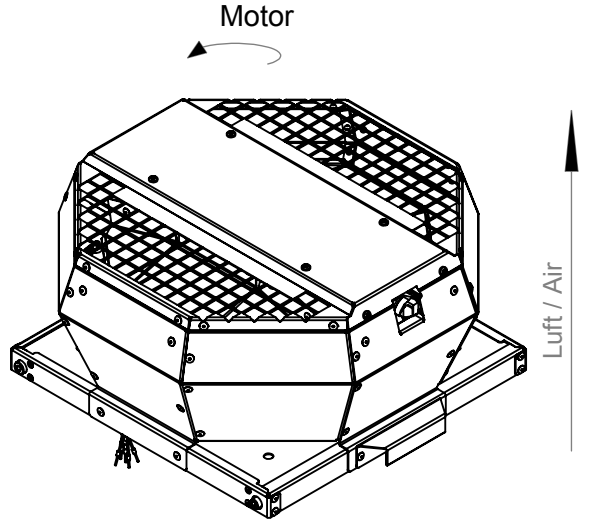
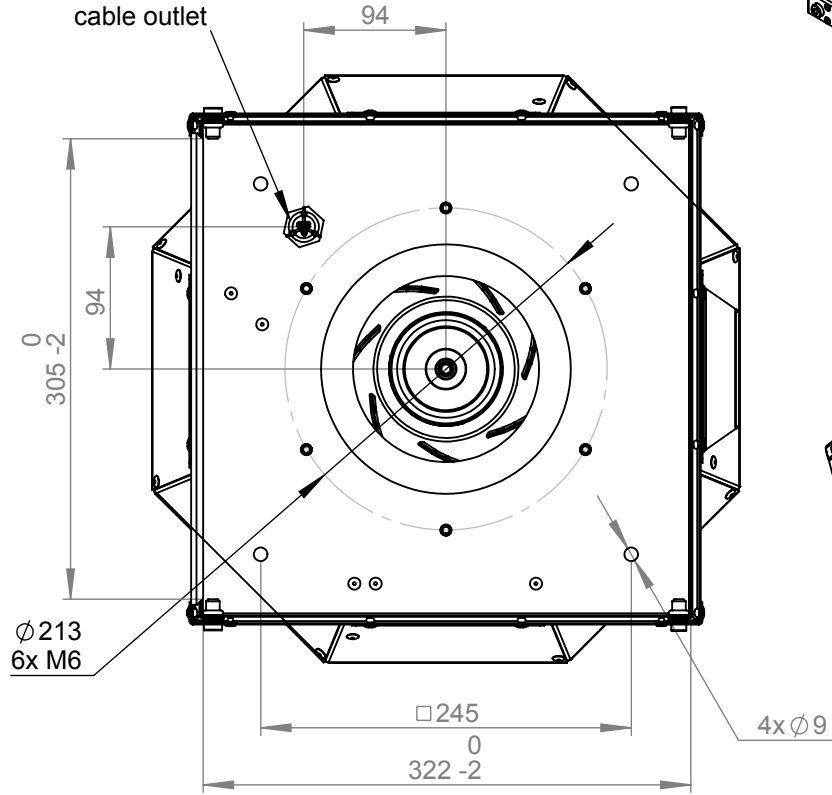
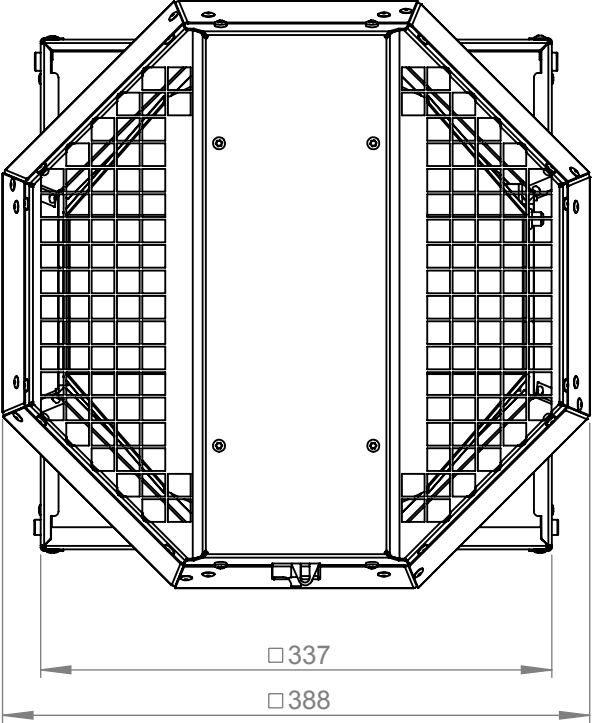
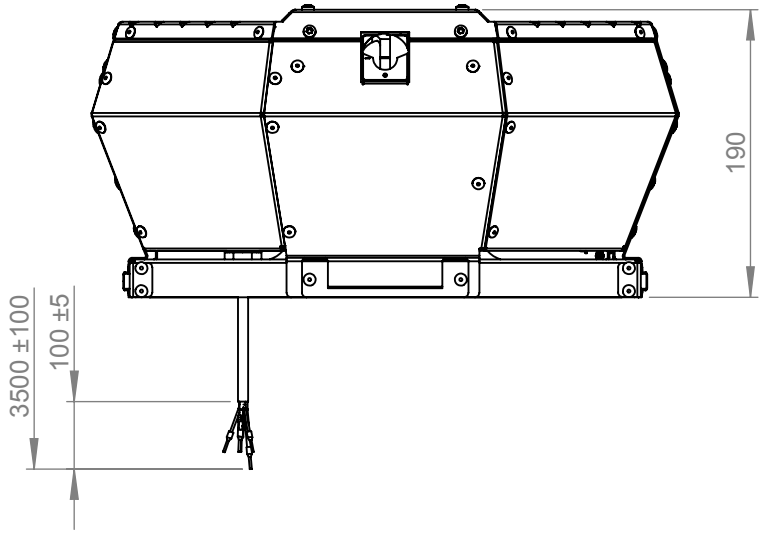
- Backward curved centrifugal fan
- EC motor
- Integrated electronic
- Internal electronic temperature monitoring
- Housing made of aluminium AIMg3
- Swing out design
- With isolator switch

— ErP compliant range

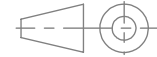
Operating Point		1	2	3	4	5
Current I	A	0,5	0,6	0,8	0,7	0,6
Power consumption P_1	W	52	77	99	92	80
Rotation speed n	1/min	3626	3615	3487	3566	3615
SWL inlet L_{WA5}	dB(A)	76	75	75	77	78
SWL outlet L_{WA6}	dB(A)	77	77	76	78	79
SWL housing break out L_{WA2}	dB(A)	-	-	-	-	-

Sound power (L_W) dB(A)		Medium Frequency Band								
		Σ	63	125	250	500	1k	2k	4k	8k
Inlet	L_{WA5}	75	41	54	59	67	70	69	68	58
Outlet	L_{WA6}	75	42	55	62	69	70	71	66	57
Housing radiation	L_{WA2}	-	-	-	-	-	-	-	-	-

DVA 190 ECP 31 139098	
Voltage U_N	230 V 1~
Current I_{max}	0,8 A
Ambient temperature t_A	60 °C
Conveyed medium temperature t_M	60 °C
Speed Control	0-10V
Motor protection	TEC
Insulation class motor	F
Weight	4,7 kg
Number of poles	-
IP motor	IP54
IP terminal box	IP44
IP complete unit	IPX4
Min. operating temperature	-30 °C



ruck Ventilatoren
Max-Planck-Str. 5
D-97944 Boxberg



1:5 A4 mm

Protection Mark
according to ISO16016

General tolerances
DIN ISO 2768-c

Drawn: s.pop
Created: s.pop
Changed:

07.03.2017
07.03.2017

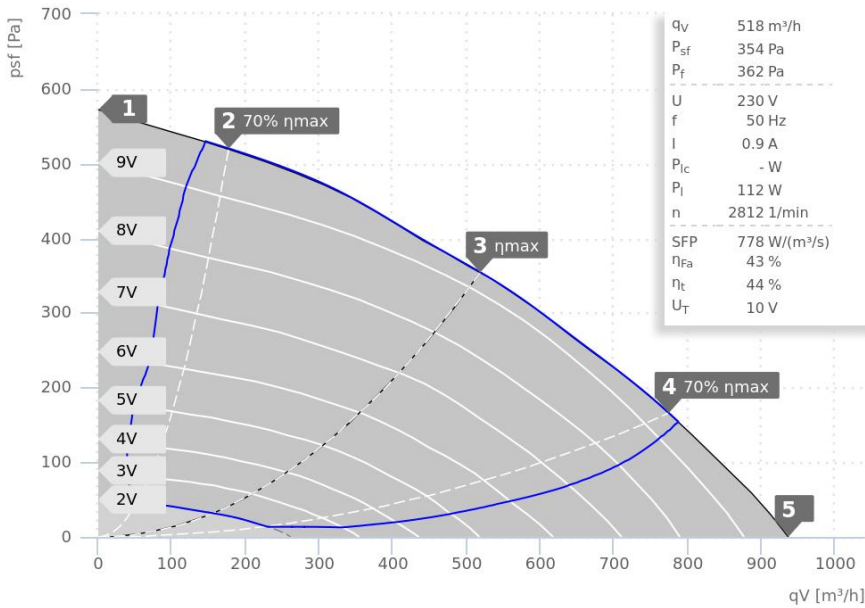
DVA190ECP31

139098 00



DATA SHEET

DVA 220 ECP 31 | 139158



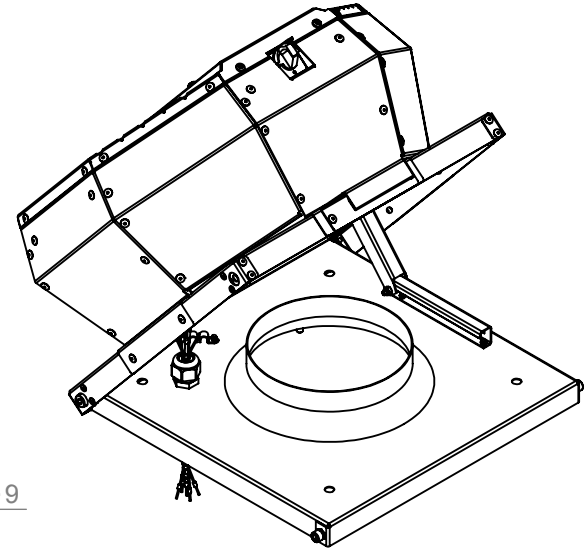
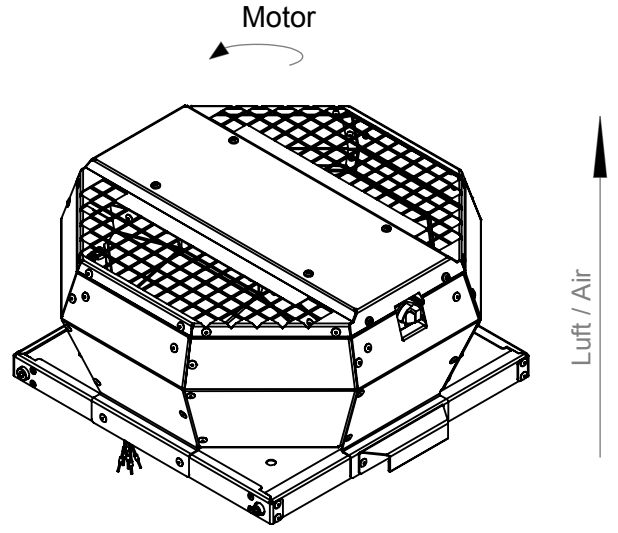
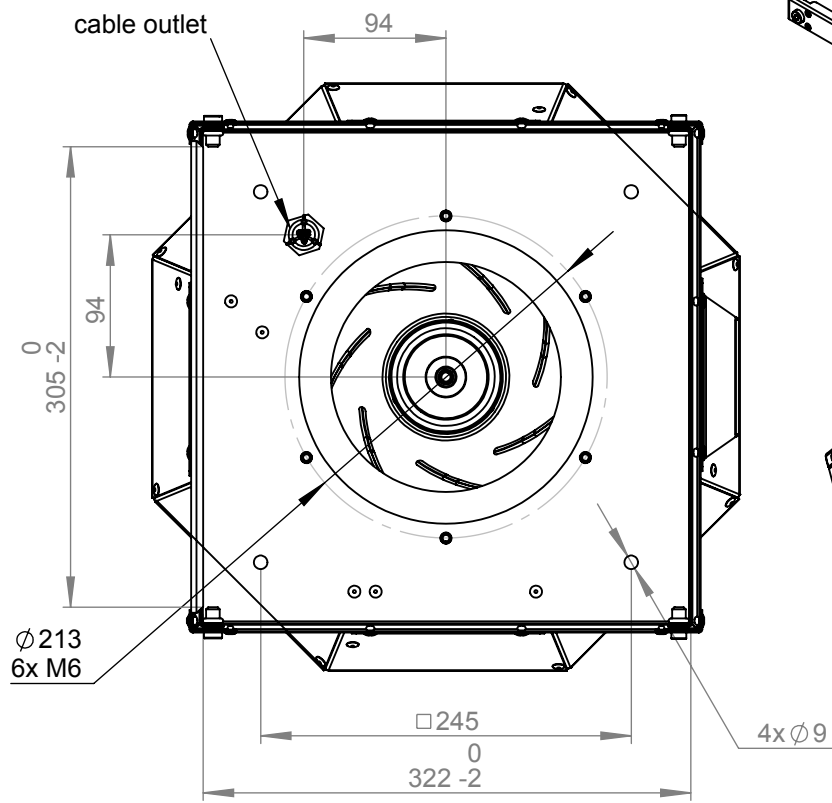
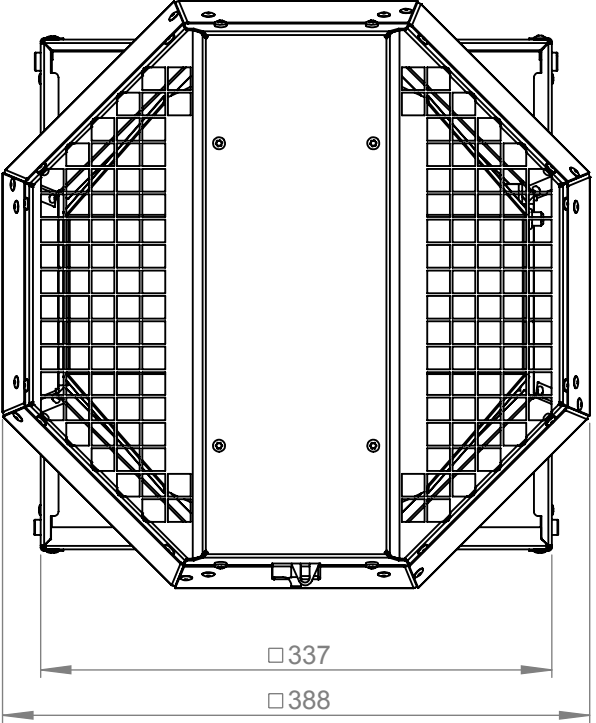
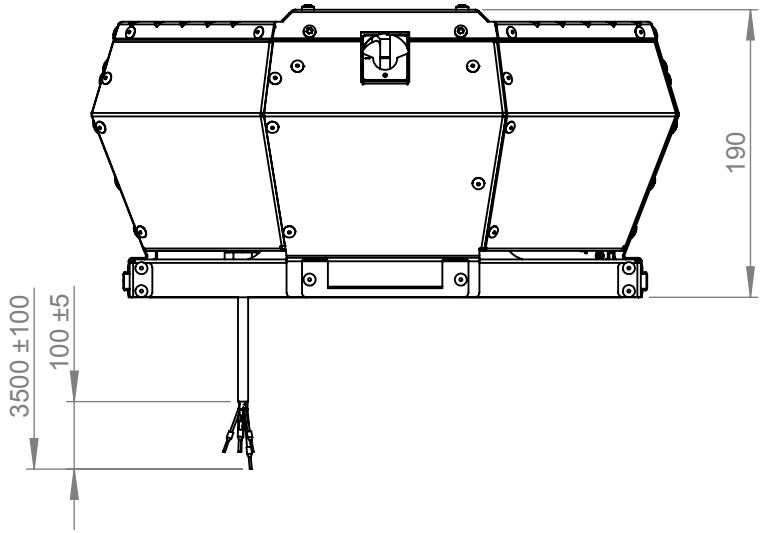
- Backward curved centrifugal fan
- EC motor
- Integrated electronic
- Internal electronic temperature monitoring
- Housing made of aluminium AIMg3
- Swing out design
- With isolator switch

— ErP compliant range

Operating Point		1	2	3	4	5
Current I	A	0,4	0,7	0,9	0,8	0,8
Power consumption P_1	W	50	82	112	110	98
Rotation speed n	1/min	2934	2935	2814	2860	2917
SWL inlet L_{WA5}	dB(A)	74	72	69	69	73
SWL outlet L_{WA6}	dB(A)	75	74	70	72	76
SWL housing break out L_{WA2}	dB(A)	-	-	-	-	-

Sound power (L_W) dB(A)		Medium Frequency Band								
		Σ	63	125	250	500	1k	2k	4k	8k
Inlet	L_{WA5}	69	42	52	58	63	63	60	61	50
Outlet	L_{WA6}	70	42	53	60	65	65	64	59	49
Housing radiation	L_{WA2}	-	-	-	-	-	-	-	-	-

DVA 220 ECP 31 139158	
Voltage U_N	230 V 1~
Current I_{max}	0,9 A
Ambient temperature t_A	60 °C
Conveyed medium temperature t_M	60 °C
Speed Control	0-10V
Motor protection	TEC
Insulation class motor	F
Weight	5,1 kg
Number of poles	-
IP motor	IP54
IP terminal box	IP44
IP complete unit	IPX4
Min. operating temperature	-30 °C



ruck Ventilatoren
Max-Planck-Str. 5
D-97944 Boxberg



1:5 A4 mm

Protection Mark
according to ISO16016

General tolerances
DIN ISO 2768-c

Drawn: s.pop
Created: s.pop
Changed:

17.03.2017
17.03.2017

DVA220ECP31

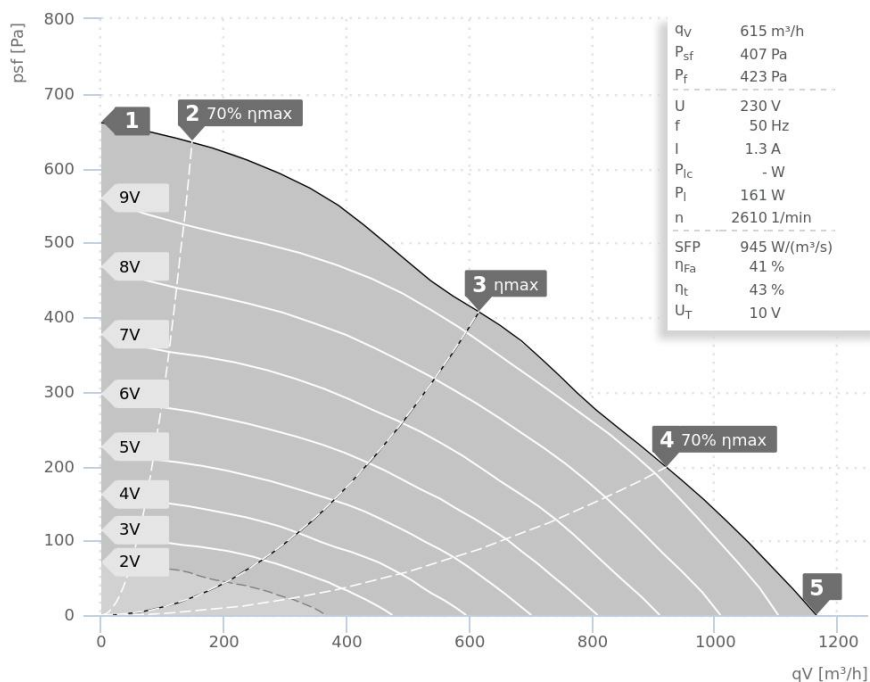
139158 00



DATA SHEET

DVA 250 ECP 41 | 149202

ruck.eu
VENTILATOREN

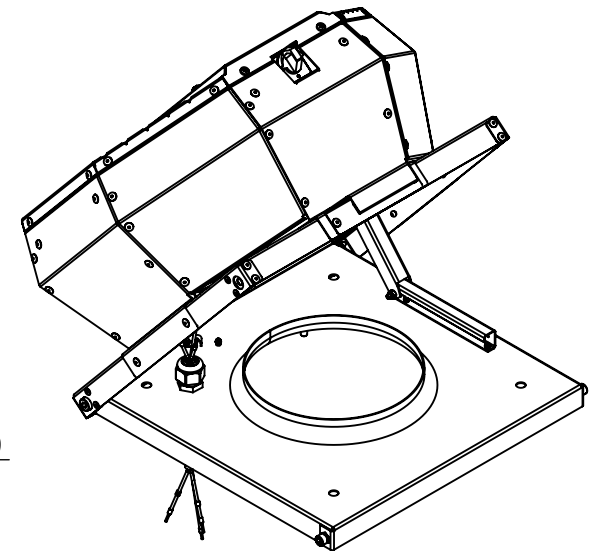
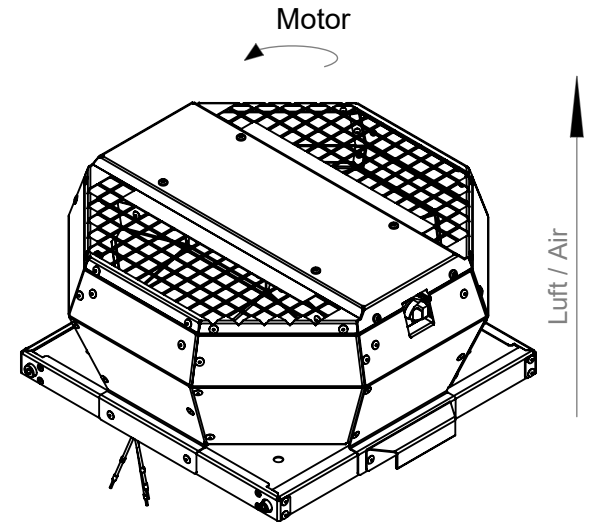
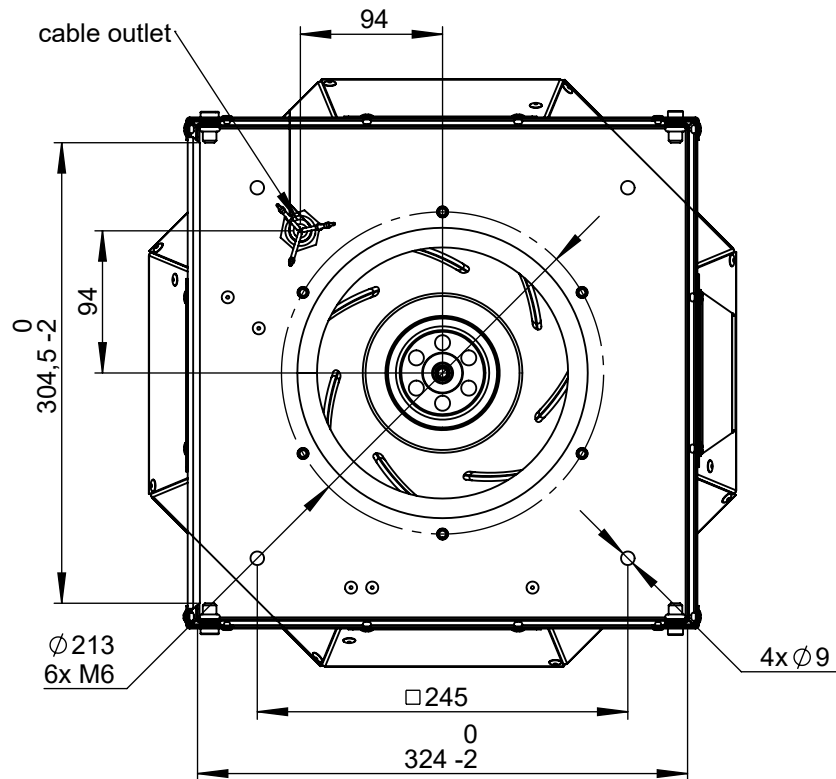
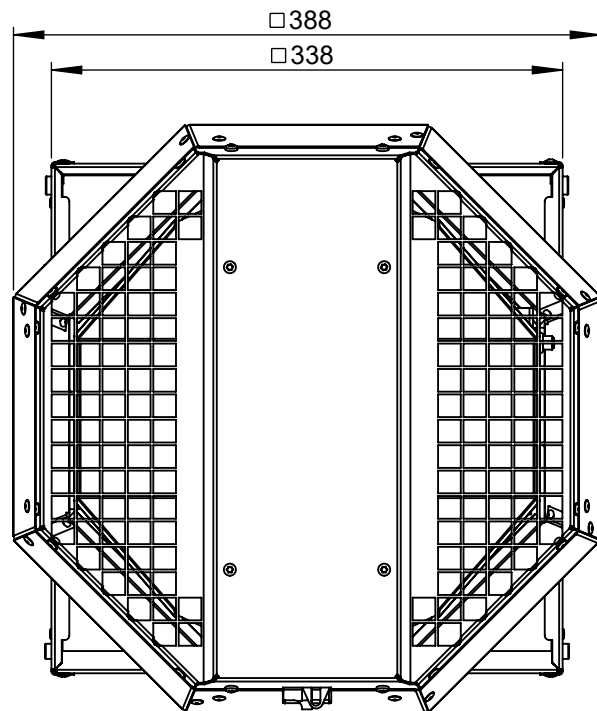
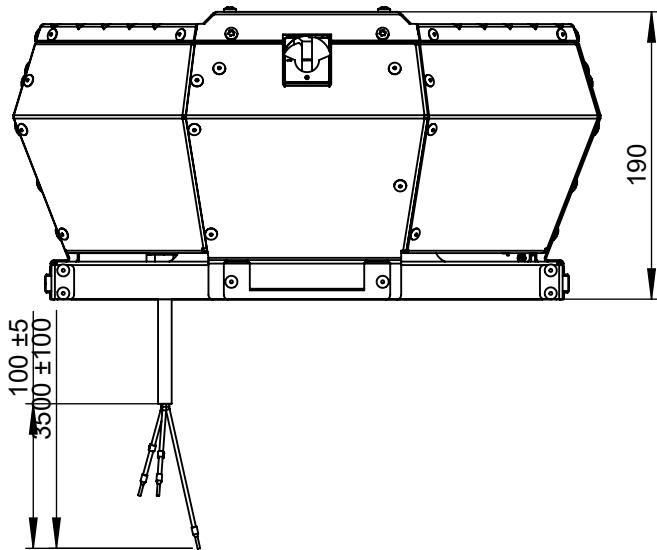


- Backward curved centrifugal fan
- EC motor
- Integrated electronic
- Internal electronic temperature monitoring
- Housing made of aluminium AIMg3
- Swing out design
- With isolator switch

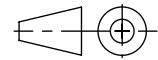
Operating Point		1	2	3	4	5
Current I	A	0,6	0,8	1,3	1,3	1,2
Power consumption P_i	W	70	85	162	166	154
Rotation speed n	1/min	2797	2795	2611	2598	2667
SWL inlet L_{WA5}	dB(A)	74	73	71	73	76
SWL outlet L_{WA6}	dB(A)	75	76	74	76	79
SWL housing break out L_{WA2}	dB(A)	-	-	-	-	-

Sound power (L_W) dB(A)		Medium Frequency Band								
		Σ	63	125	250	500	1k	2k	4k	8k
Inlet	L_{WA5}	71	40	55	60	64	66	65	64	53
Outlet	L_{WA6}	74	41	54	65	68	68	69	65	53
Housing radiation	L_{WA2}	-	-	-	-	-	-	-	-	-

DVA 250 ECP 41 149202	
Voltage U_N	230 V 1~
Current I_{max}	1,4 A
Ambient temperature t_A	60 °C
Conveyed medium temperature t_M	60 °C
Speed Control	0-10V
Motor protection	TEC
Insulation class motor	F
Weight	6,1 kg
Number of poles	-
IP motor	IP54
IP terminal box	IP54
IP complete unit	IPX4
Min. operating temperature	-30 °C



ruck^{eu}
VENTILATOREN
ruck Ventilatoren
Max-Planck-Str. 5
D-97944 Boxberg



Protection Mark
according to ISO 16016

Created d.ursu
Drawn d.ursu
Released d.ursu
Disabled

1:5 A4 mm

General tolerances
DIN ISO 2768-c

19.10.2018
19.10.2018
09.11.2021

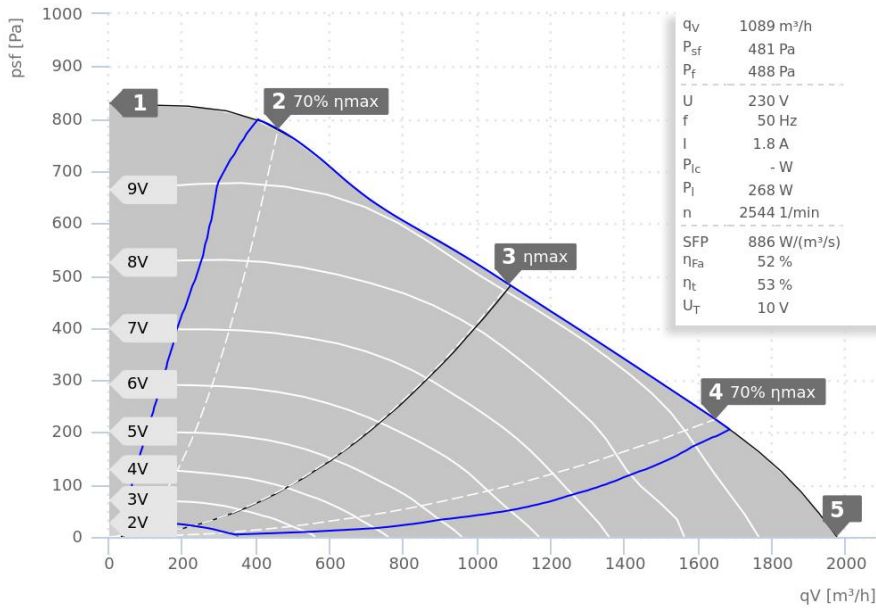
DVA250ECP41

149202 00

VENTAS
VENTILATOREN

DATA SHEET

DVA 280 ECP 31 | 139179



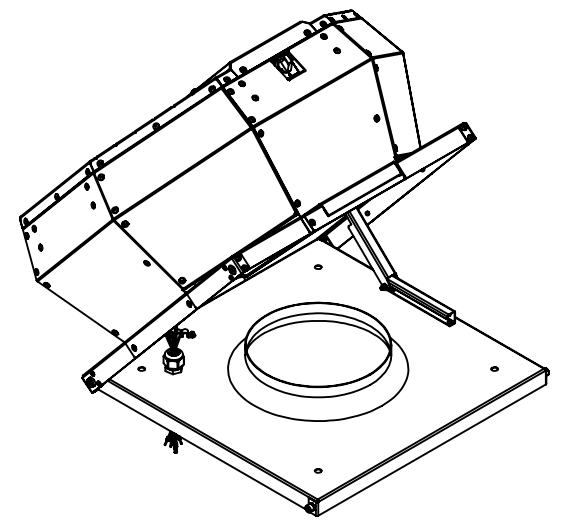
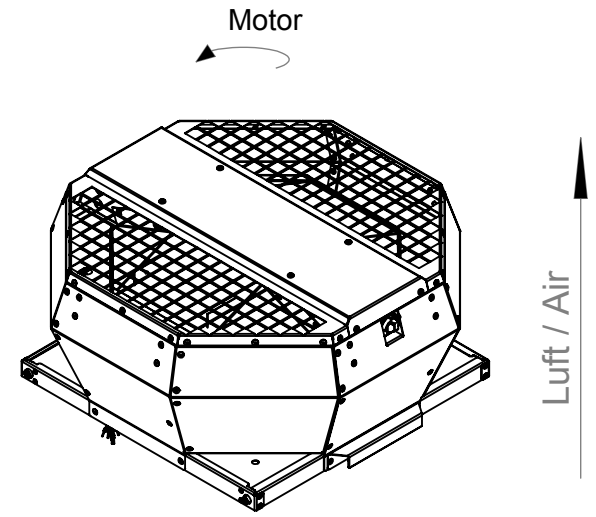
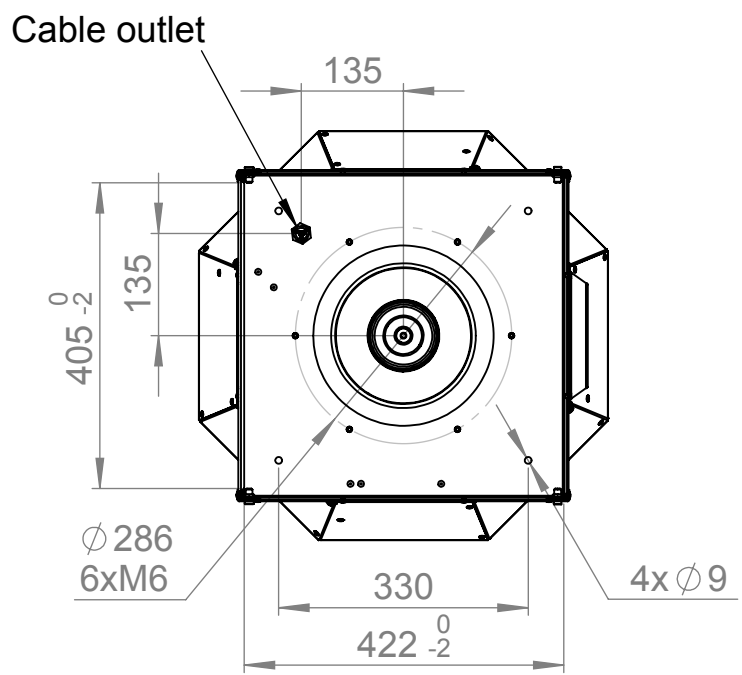
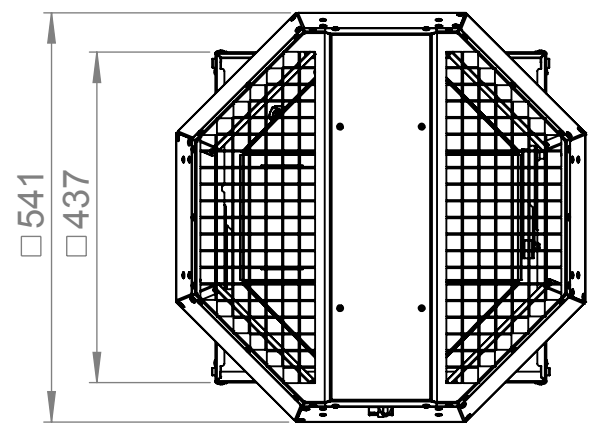
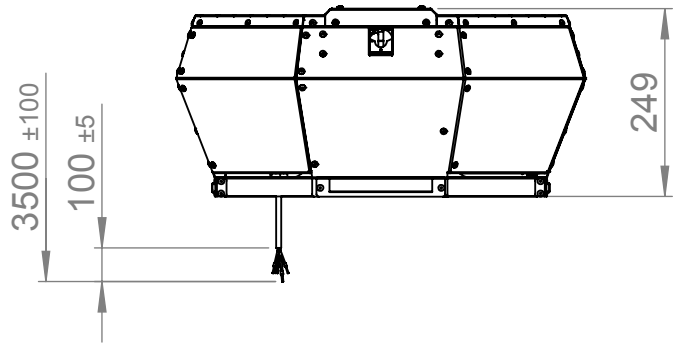
- Backward curved centrifugal fan
- EC motor
- Integrated electronic
- Internal electronic temperature monitoring
- Housing made of aluminium AIMg3
- Swing out design
- With isolator switch

— ErP compliant range

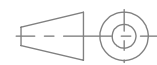
Operating Point		1	2	3	4	5
Current I	A	1,0	1,8	1,8	1,8	1,6
Power consumption P_1	W	141	262	268	268	242
Rotation speed n	1/min	2908	2842	2543	2753	2915
SWL inlet L_{WA5}	dB(A)	82	84	78	85	86
SWL outlet L_{WA6}	dB(A)	82	84	78	86	83
SWL housing break out L_{WA2}	dB(A)	-	-	-	-	-

Sound power (L_W) dB(A)		Medium Frequency Band								
		Σ	63	125	250	500	1k	2k	4k	8k
Inlet	L_{WA5}	78	34	46	62	67	68	68	73	74
Outlet	L_{WA6}	78	40	51	63	68	77	69	67	64
Housing radiation	L_{WA2}	-	-	-	-	-	-	-	-	-

DVA 280 ECP 31 139179	
Voltage U_N	230 V 1~
Current I_{max}	1,9 A
Ambient temperature t_A	55 °C
Conveyed medium temperature t_M	55 °C
Speed Control	0-10V
Motor protection	TEC
Insulation class motor	F
Weight	8,3 kg
Number of poles	-
IP motor	IP33
IP terminal box	IP44
IP complete unit	IPX4
Min. operating temperature	-30 °C



ruck^{EU}
VENTILATOREN
ruck Ventilatoren
Max-Planck-Str. 5
D-97944 Boxberg



1:10 A4 mm

Protection Mark
according to ISO16016

General tolerances
DIN ISO 2768-c

Drawn: s.pop
Created: s.pop
Changed:

20.03.2017
20.03.2017

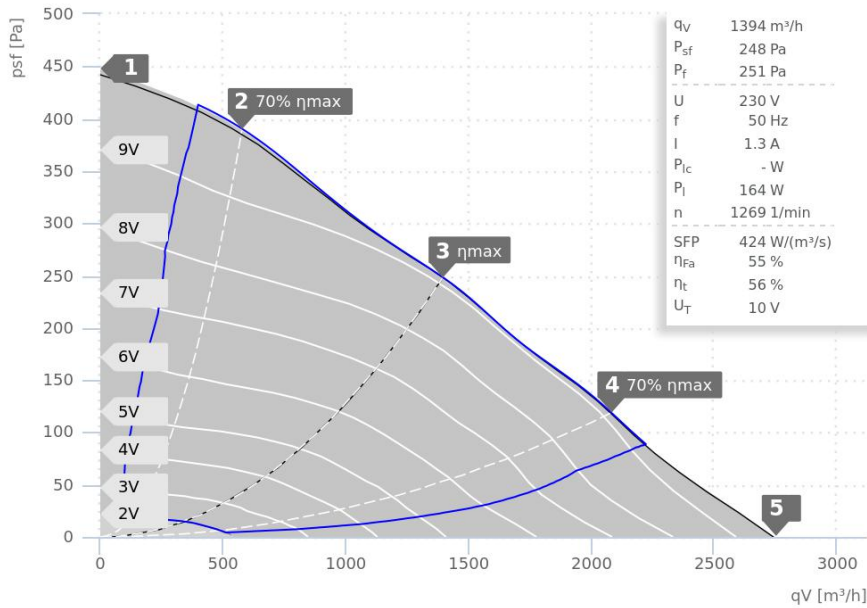
DVA280ECP31

139179 00



DATA SHEET

DVA 355 ECP 31 | 139203



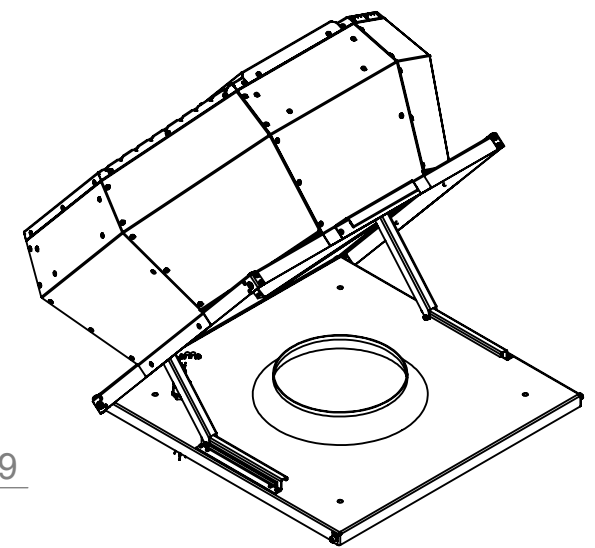
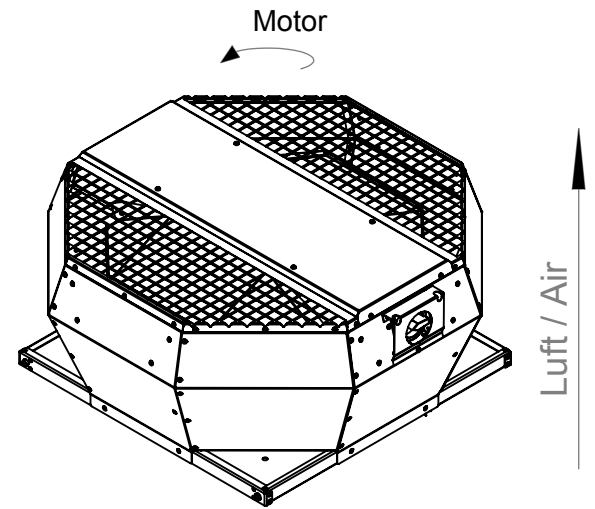
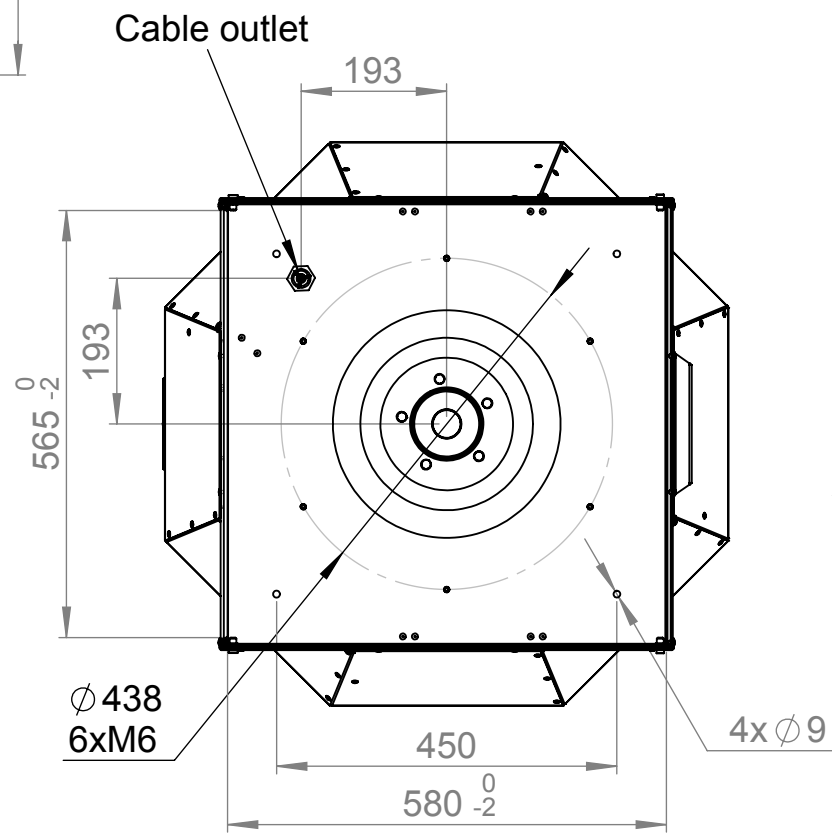
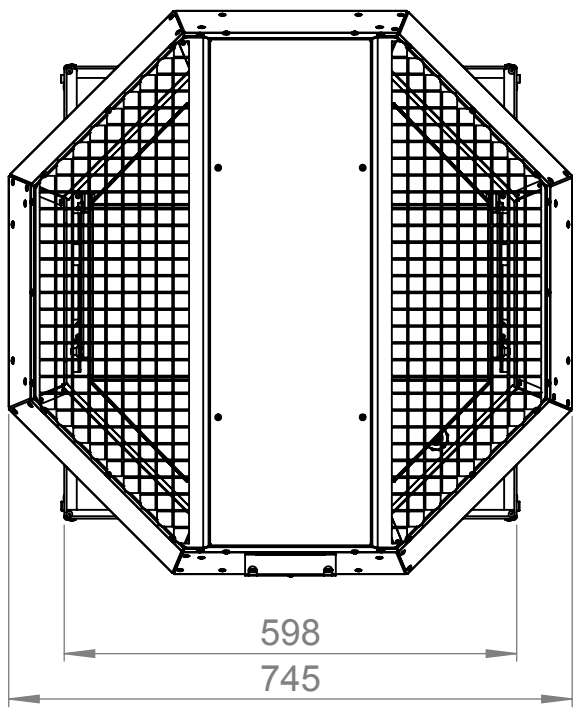
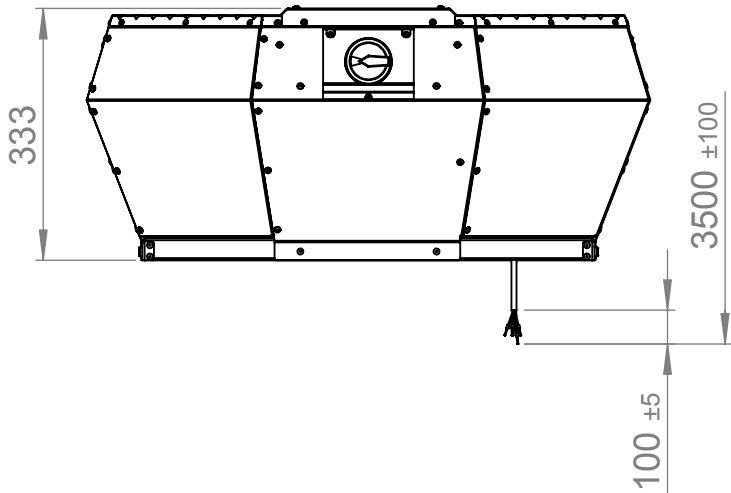
- Backward curved centrifugal fan
- EC motor
- Integrated electronic
- Internal electronic temperature monitoring
- Housing made of aluminium AIMg3
- Swing out design
- With isolator switch

— ErP compliant range

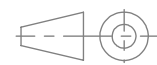
Operating Point		1	2	3	4	5
Current I	A	0,9	1,2	1,3	1,3	1,3
Power consumption P_1	W	106	154	164	165	164
Rotation speed n	1/min	1542	1464	1270	1302	1383
SWL inlet L_{WA5}	dB(A)	70	69	67	70	75
SWL outlet L_{WA6}	dB(A)	72	70	68	72	76
SWL housing break out L_{WA2}	dB(A)	-	-	-	-	-

Sound power (L_W) dB(A)		Medium Frequency Band								
		Σ	63	125	250	500	1k	2k	4k	8k
Inlet	L_{WA5}	67	32	46	52	58	59	65	53	44
Outlet	L_{WA6}	68	33	48	55	58	62	65	52	43
Housing radiation	L_{WA2}	-	-	-	-	-	-	-	-	-

DVA 355 ECP 31 139203	
Voltage U_N	230 V 1~
Current I_{max}	1,4 A
Ambient temperature t_A	60 °C
Conveyed medium temperature t_M	60 °C
Speed Control	0-10V
Motor protection	TEC
Insulation class motor	B
Weight	15,4 kg
Number of poles	-
IP motor	IP54
IP terminal box	IP44
IP complete unit	IPX4
Min. operating temperature	-25 °C



ruck Ventilatoren
Max-Planck-Str. 5
D-97944 Boxberg



1:10 A4 mm

Protection Mark
according to ISO16016

General tolerances
DIN ISO 2768-c

DVA355ECP31

Drawn: s.pop
Created: s.pop
Changed:

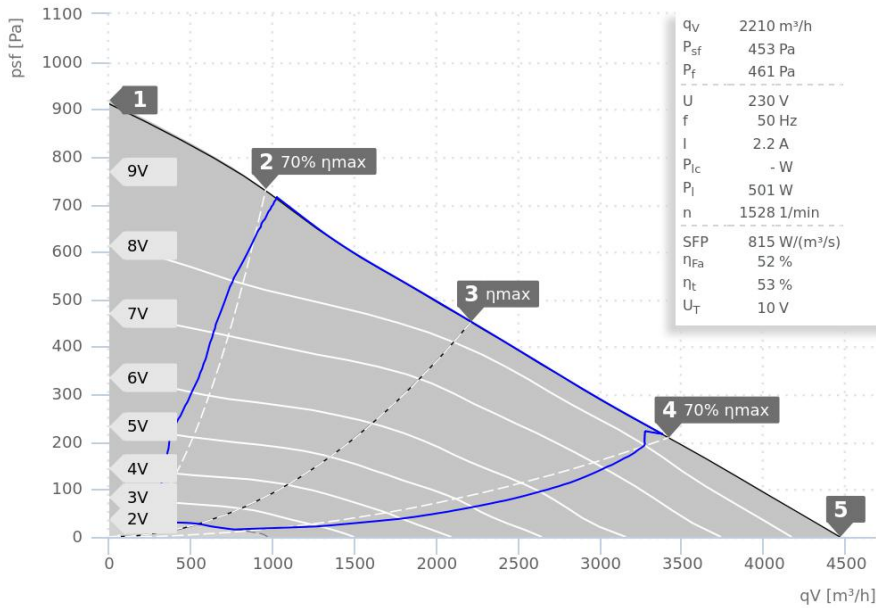
21.03.2017
21.03.2017

139203 00



DATA SHEET

DVA 400 ECP 31 | 139212



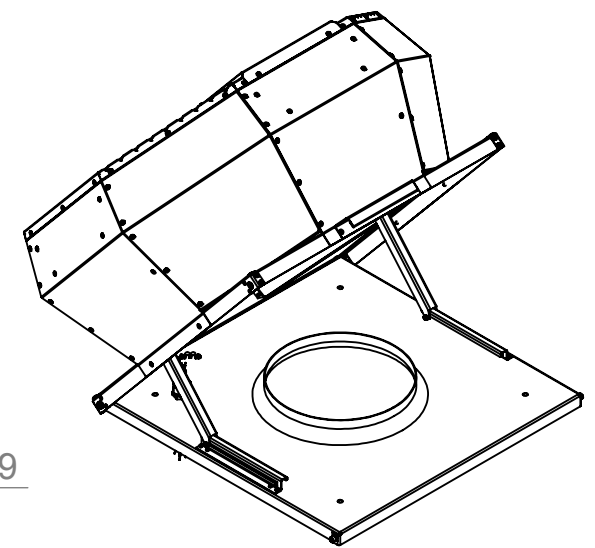
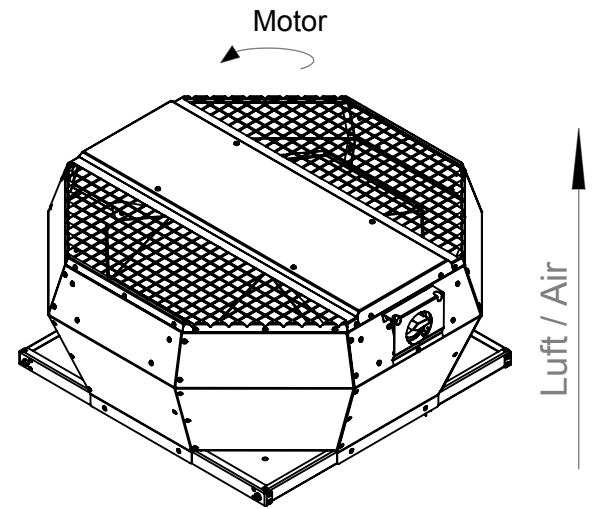
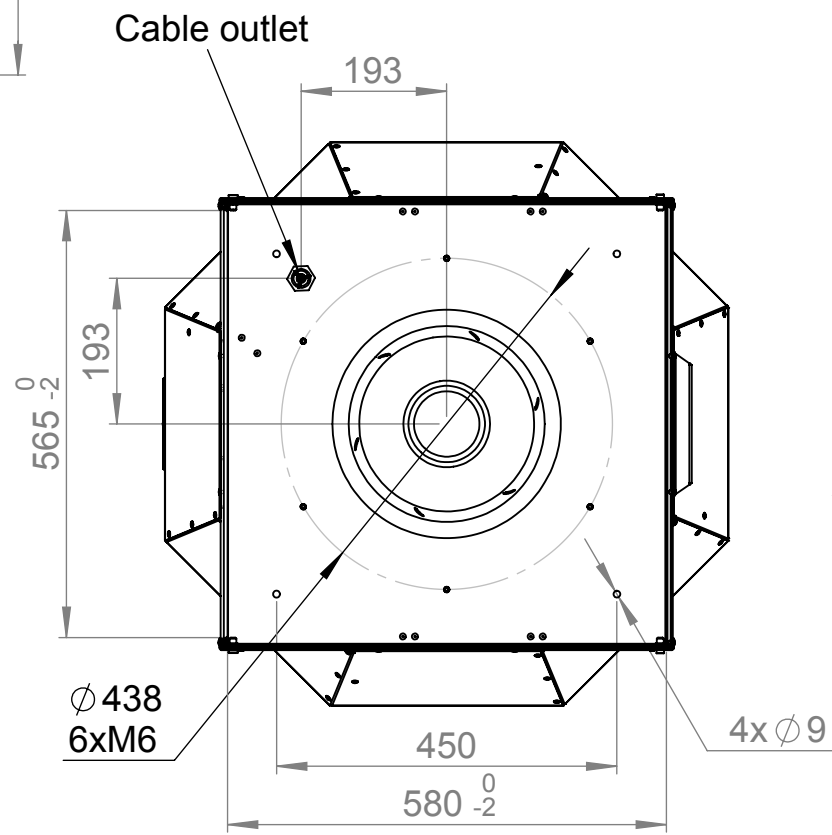
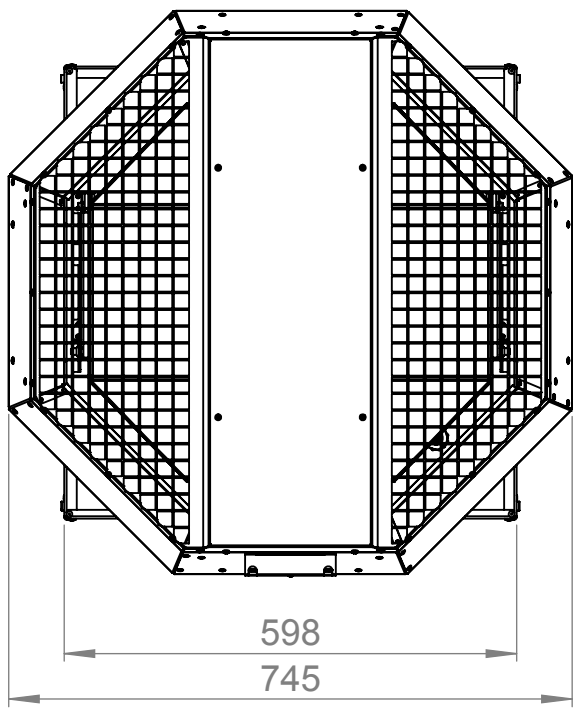
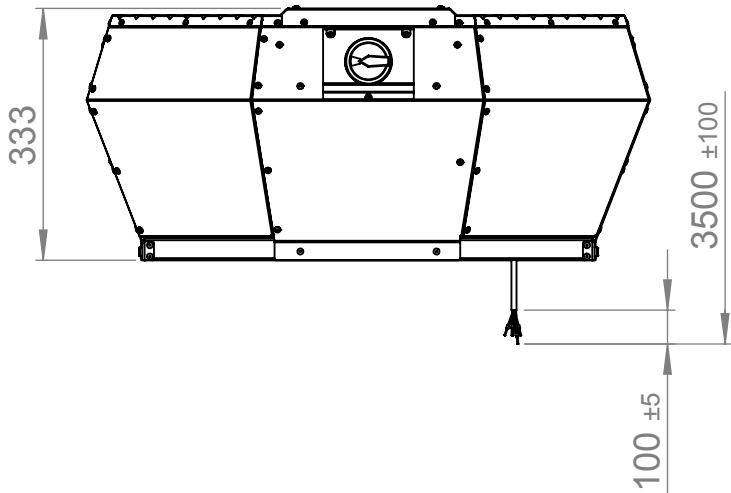
- Backward curved centrifugal fan
- EC motor
- Integrated electronic
- Internal electronic temperature monitoring
- Housing made of aluminium AIMg3
- Swing out design
- With isolator switch

— ErP compliant range

Operating Point		1	2	3	4	5
Current I	A	1,5	2,2	2,2	2,2	2,2
Power consumption P_1	W	342	509	501	501	503
Rotation speed n	1/min	1978	1806	1528	1505	1579
SWL inlet L_{WA5}	dB(A)	79	77	69	73	77
SWL outlet L_{WA6}	dB(A)	82	79	73	77	82
SWL housing break out L_{WA2}	dB(A)	-	-	-	-	-

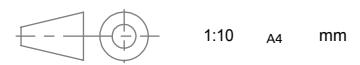
Sound power (L_W) dB(A)		Medium Frequency Band								
		Σ	63	125	250	500	1k	2k	4k	8k
Inlet	L_{WA5}	69	40	56	60	62	62	64	62	51
Outlet	L_{WA6}	73	42	61	66	66	67	66	62	51
Housing radiation	L_{WA2}	-	-	-	-	-	-	-	-	-

DVA 400 ECP 31 139212	
Voltage U_N	230 V 1~
Current I_{max}	2,3 A
Ambient temperature t_A	50 °C
Conveyed medium temperature t_M	50 °C
Speed Control	0-10V
Motor protection	TEC
Insulation class motor	F
Weight	19,4 kg
Number of poles	-
IP motor	IP54
IP terminal box	IP44
IP complete unit	IPX4
Min. operating temperature	-25 °C



ruck^{EU}
VENTILATOREN

ruck Ventilatoren
Max-Planck-Str. 5
D-97944 Boxberg



Protection Mark
according to ISO16016

General tolerances
DIN ISO 2768-c

Drawn: s.pop
Created: s.pop
Changed:

21.03.2017
21.03.2017

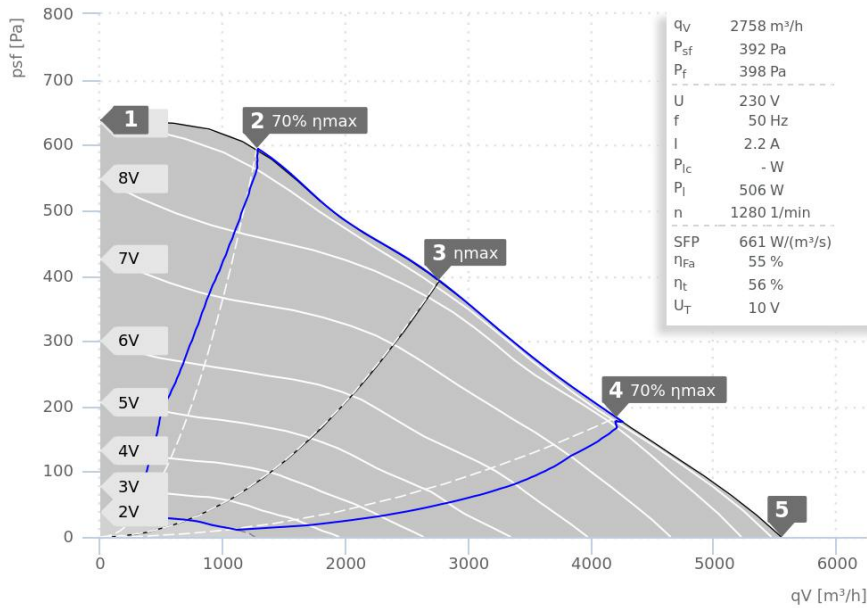
DVA400ECP31

139212 00



DATA SHEET

DVA 450 ECP 31 | 139223



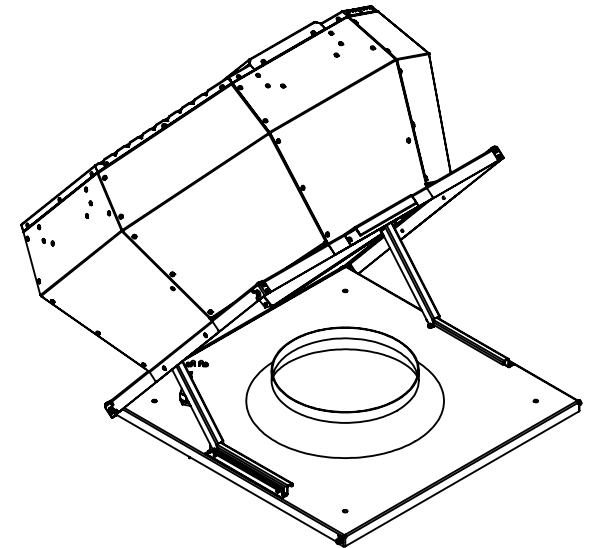
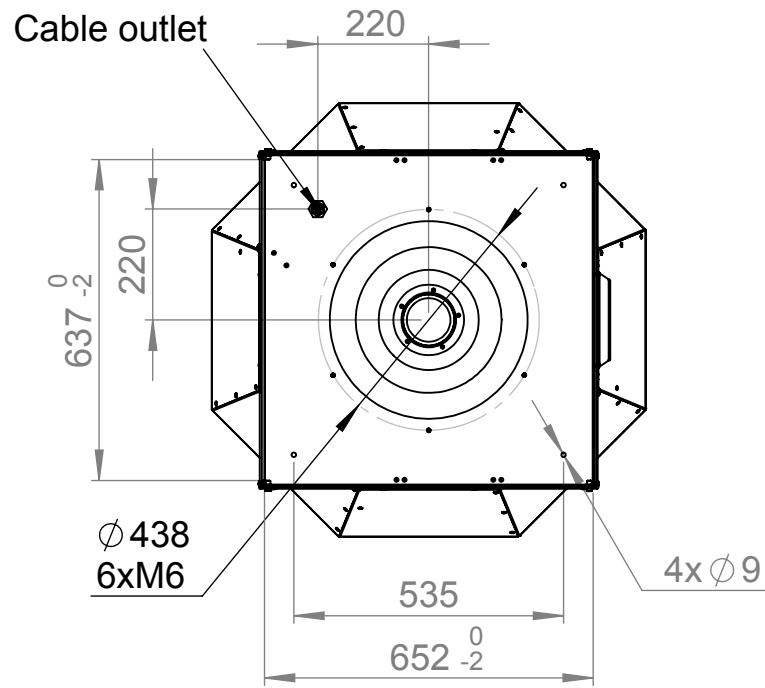
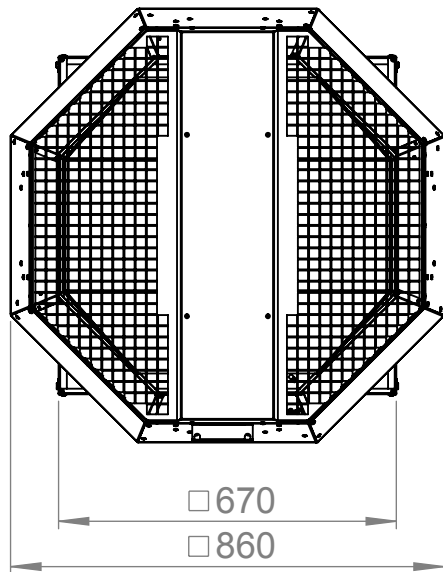
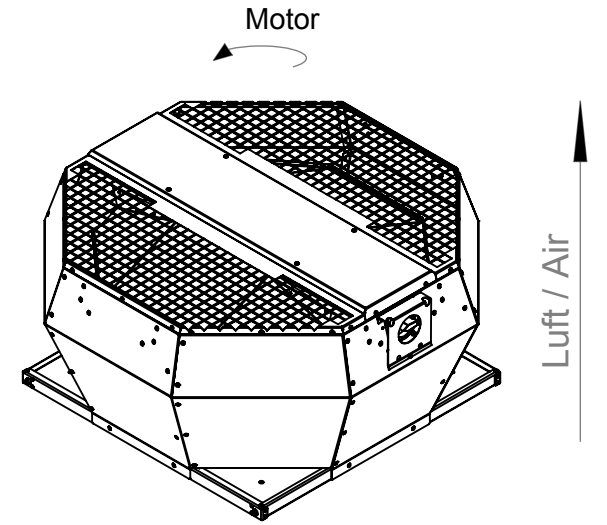
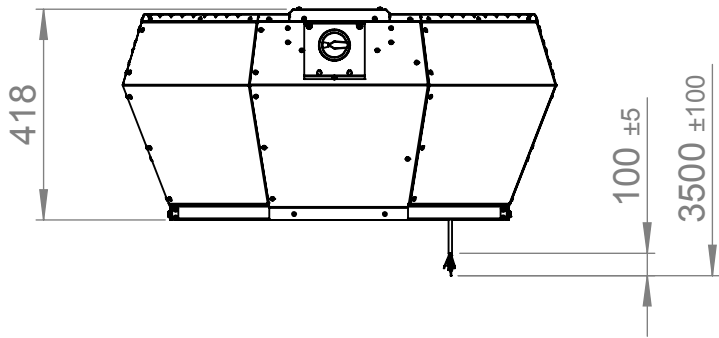
- Backward curved centrifugal fan
- EC motor
- Integrated electronic
- Internal electronic temperature monitoring
- Housing made of aluminium AIMg3
- Swing out design
- With isolator switch

— ErP compliant range

Operating Point		1	2	3	4	5
Current I	A	1,3	2,3	2,2	2,2	2,2
Power consumption P_1	W	277	524	507	507	508
Rotation speed n	1/min	1514	1466	1280	1265	1350
SWL inlet L_{WA5}	dB(A)	77	77	72	70	77
SWL outlet L_{WA6}	dB(A)	80	79	73	75	81
SWL housing break out L_{WA2}	dB(A)	-	-	-	-	-

Sound power (L_W) dB(A)		Medium Frequency Band								
		Σ	63	125	250	500	1k	2k	4k	8k
Inlet	L_{WA5}	72	44	59	64	68	64	63	58	50
Outlet	L_{WA6}	73	43	60	66	66	67	65	59	51
Housing radiation	L_{WA2}	-	-	-	-	-	-	-	-	-

DVA 450 ECP 31 139223	
Voltage U_N	230 V 1~
Current I_{max}	2,3 A
Ambient temperature t_A	50 °C
Conveyed medium temperature t_M	50 °C
Speed Control	0-10V
Motor protection	TEC
Insulation class motor	F
Weight	22,0 kg
Number of poles	-
IP motor	IP54
IP terminal box	IP44
IP complete unit	IPX4
Min. operating temperature	-25 °C



ruck^{EU}
VENTILATOREN
ruck Ventilatoren
Max-Planck-Str. 5
D-97944 Boxberg



1:15 A4 mm

Protection Mark
according to ISO16016

General tolerances
DIN ISO 2768-c

DVA450ECP31

Drawn: s.pop
Created: s.pop
Changed:

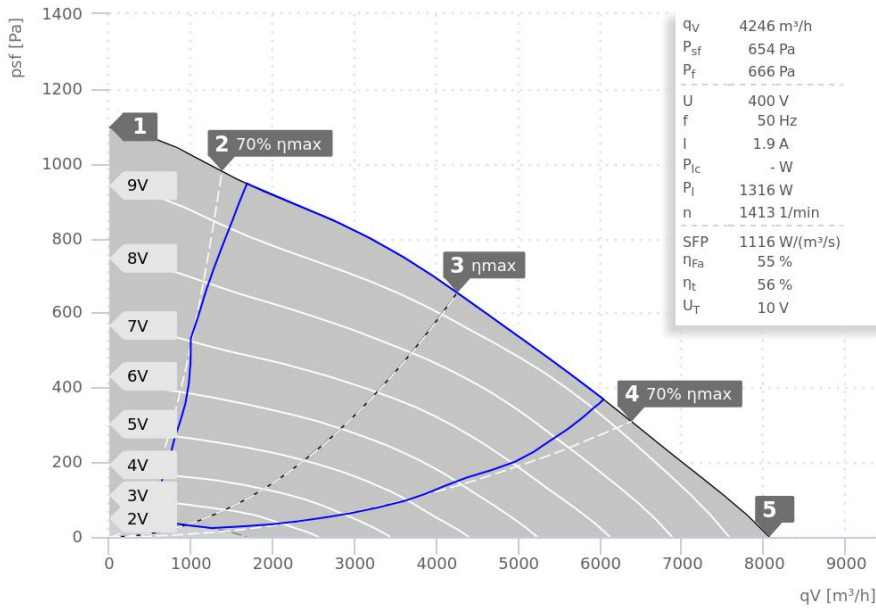
21.03.2017
21.03.2017

139223 00



DATA SHEET

DVA 500 ECP 31 | 139228



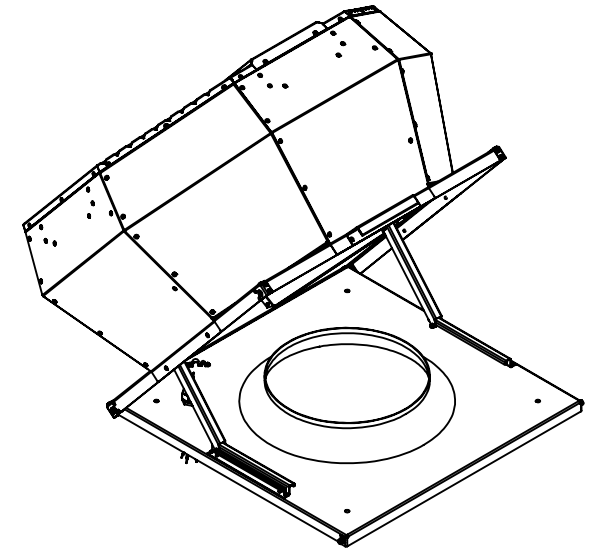
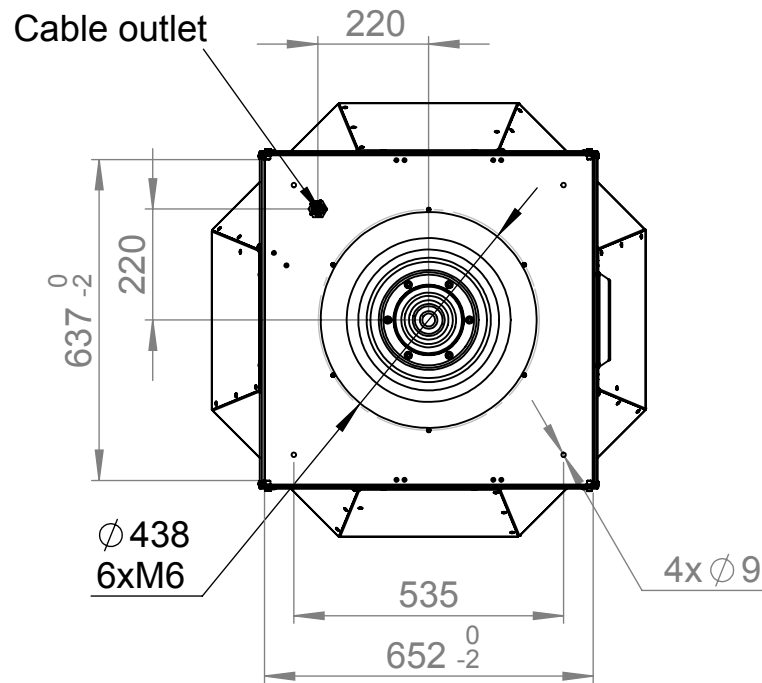
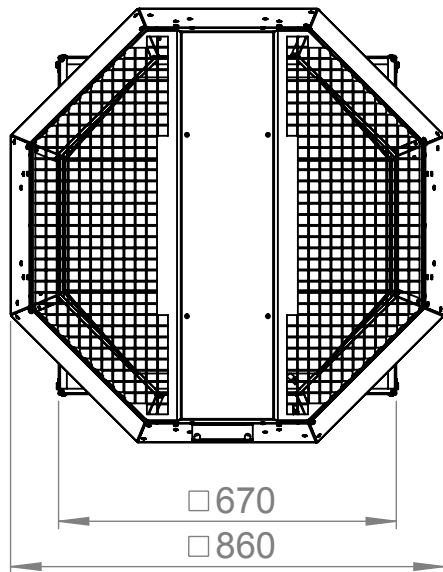
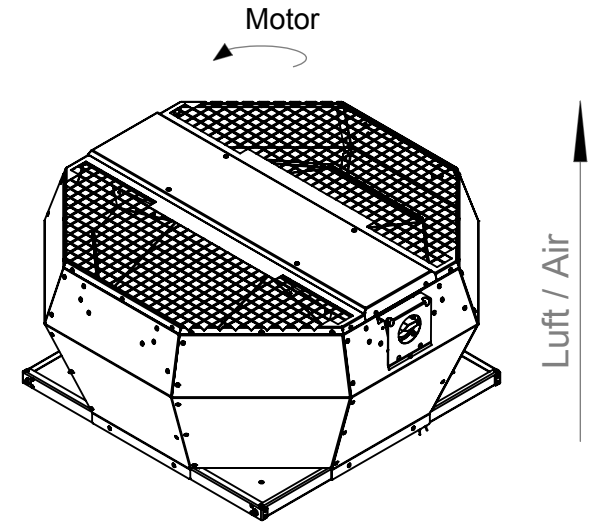
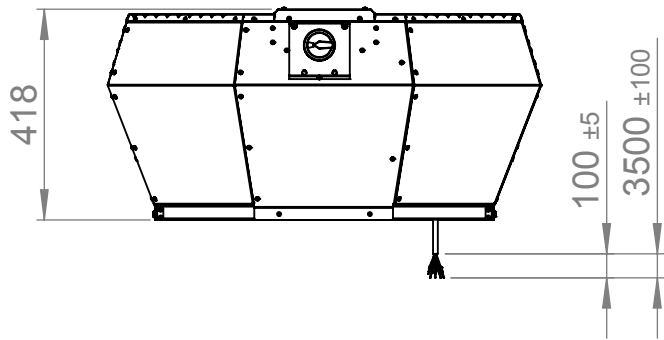
- Backward curved centrifugal fan
- EC motor
- Integrated electronic
- Internal electronic temperature monitoring
- Housing made of aluminium AIMg3
- Swing out design
- With isolator switch

— ErP compliant range

Operating Point		1	2	3	4	5
Current I	A	0,9	1,4	1,9	1,9	1,9
Power consumption P _i	W	586	913	1316	1324	1330
Rotation speed n	1/min	1628	1567	1413	1390	1462
SWL inlet L _{WA5}	dB(A)	80	79	74	77	81
SWL outlet L _{WA6}	dB(A)	84	83	79	82	87
SWL housing break out L _{WA2}	dB(A)	-	-	-	-	-

Sound power (L _W) dB(A)		Medium Frequency Band								
		Σ	63	125	250	500	1k	2k	4k	8k
Inlet	L _{WA5}	74	47	64	67	67	67	66	64	58
Outlet	L _{WA6}	79	52	69	71	74	74	71	67	60
Housing radiation	L _{WA2}	-	-	-	-	-	-	-	-	-

DVA 500 ECP 31 139228	
Voltage U _N	400 V 3~
Current I _{max}	2,1 A
Ambient temperature t _A	50 °C
Conveyed medium temperature t _M	50 °C
Speed Control	0-10V
Motor protection	TEC
Insulation class motor	F
Weight	30,5 kg
Number of poles	-
IP motor	IP54
IP terminal box	IP44
IP complete unit	IPX4
Min. operating temperature	-25 °C



ruck Ventilatoren
Max-Planck-Str. 5
D-97944 Boxberg



1:15 A4 mm

Protection Mark
according to ISO16016

General tolerances
DIN ISO 2768-c

DVA500ECP31

Drawn: s.pop
Created: s.pop
Changed:

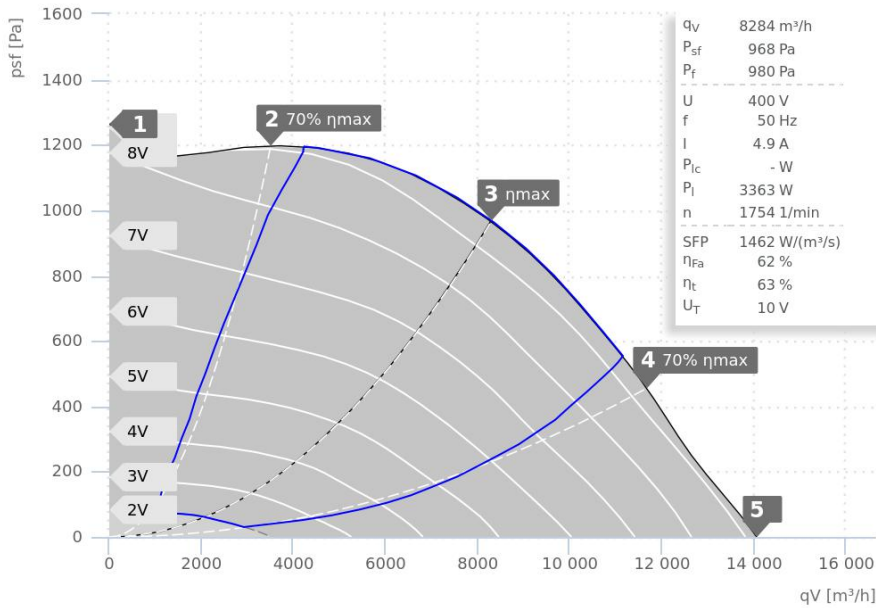
22.03.2017
22.03.2017

139228 00



DATA SHEET

DVA 560 ECP 31 | 139239



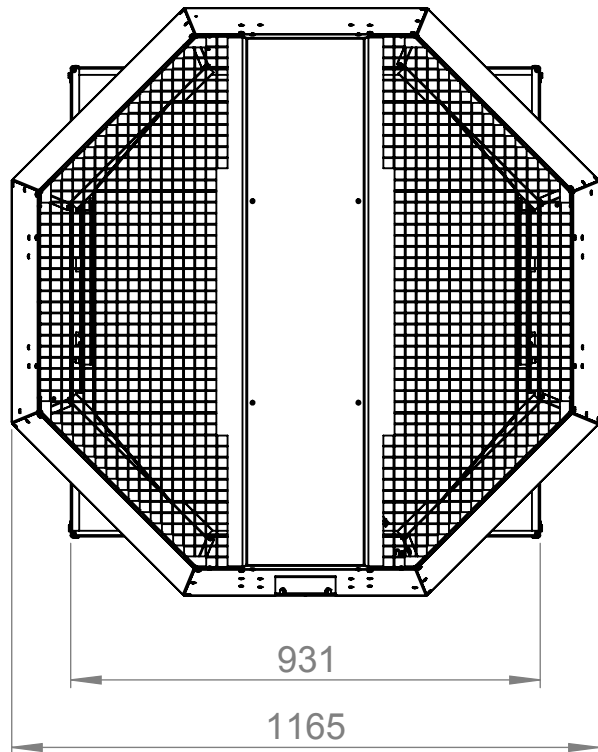
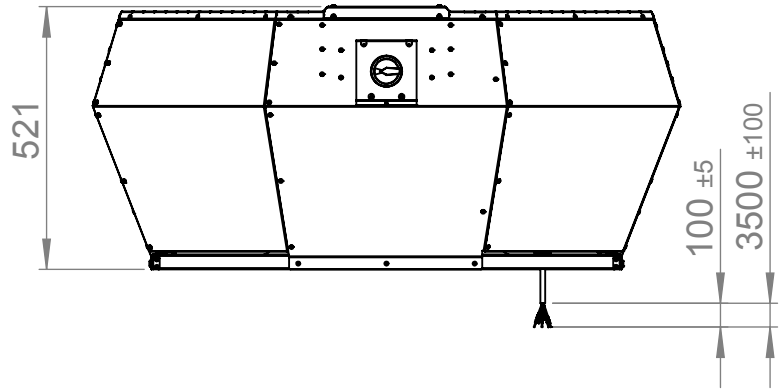
- Backward curved centrifugal fan
- EC motor
- Integrated electronic
- Internal electronic temperature monitoring
- Housing made of aluminium AIMg3
- Swing out design
- With isolator switch

— ErP compliant range

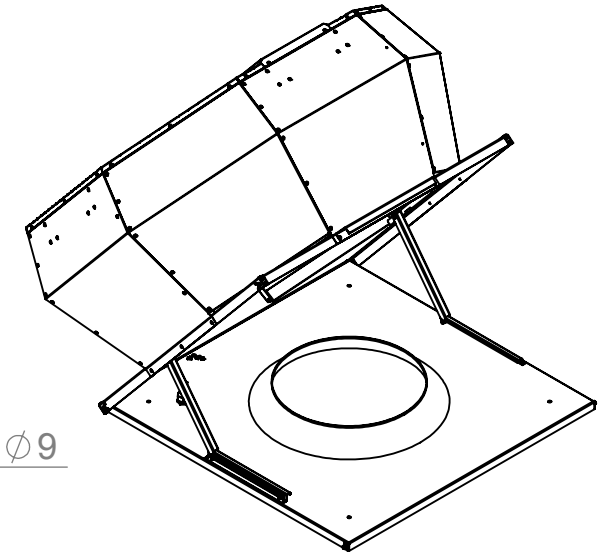
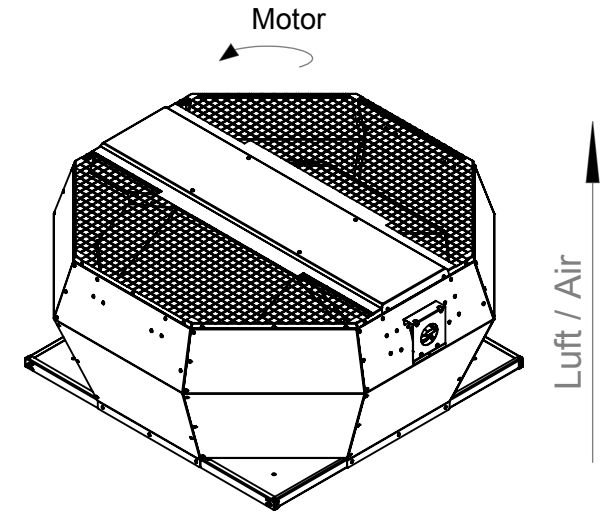
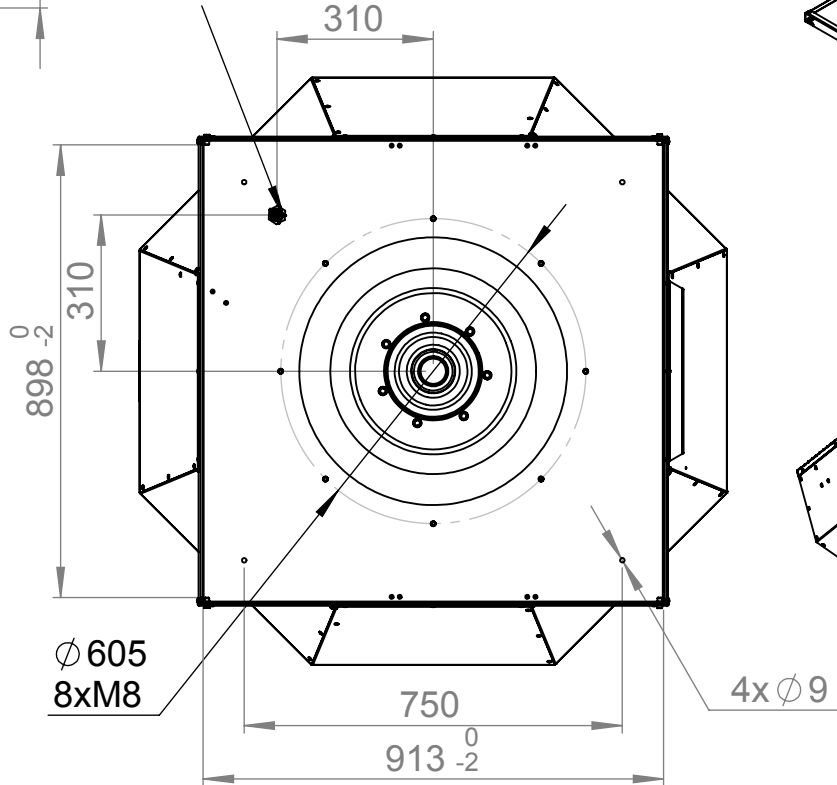
Operating Point		1	2	3	4	5
Current I	A	1,8	3,7	4,9	4,7	4,0
Power consumption P_1	W	1179	2509	3379	3211	2815
Rotation speed n	1/min	1789	1781	1757	1747	1784
SWL inlet L_{WA5}	dB(A)	87	87	85	87	90
SWL outlet L_{WA6}	dB(A)	90	89	87	89	92
SWL housing break out L_{WA2}	dB(A)	-	-	-	-	-

Sound power (L_W) dB(A)		Medium Frequency Band								
		Σ	63	125	250	500	1k	2k	4k	8k
Inlet	L_{WA5}	85	49	77	80	80	79	75	70	64
Outlet	L_{WA6}	87	56	76	79	80	82	78	72	65
Housing radiation	L_{WA2}	-	-	-	-	-	-	-	-	-

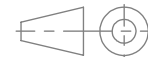
DVA 560 ECP 31 139239	
Voltage U_N	400 V 3~
Current I_{max}	5,2 A
Ambient temperature t_A	60 °C
Conveyed medium temperature t_M	60 °C
Speed Control	0-10V
Motor protection	TEC
Insulation class motor	F
Weight	49,9 kg
Number of poles	-
IP motor	IP55
IP terminal box	-
IP complete unit	-
Min. operating temperature	-30 °C



Cable outlet



ruck Ventilatoren
Max-Planck-Str. 5
D-97944 Boxberg



Protection Mark
according to ISO16016

Drawn: s.pop
Created: s.pop
Changed:

1:15 A4 mm

General tolerances
DIN ISO 2768-c

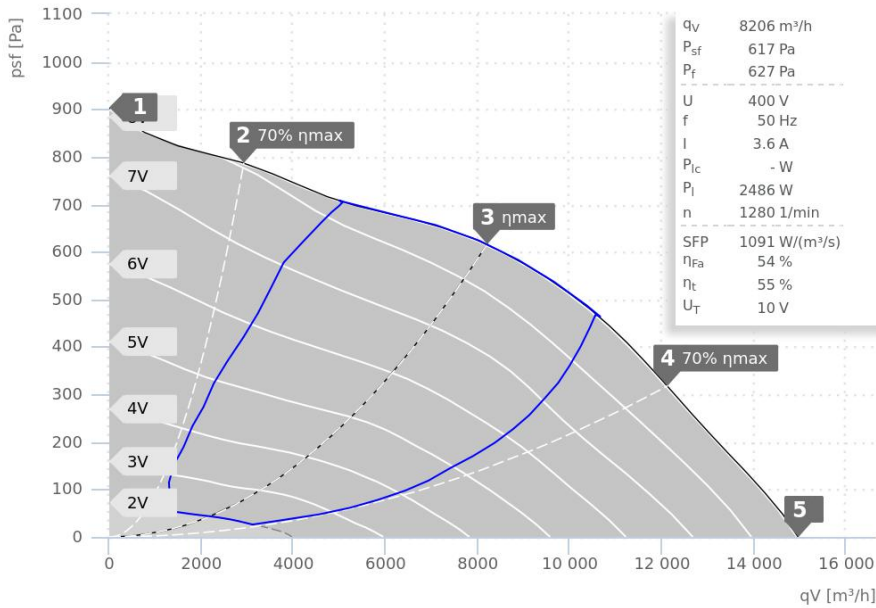
DVA560ECP31

139239 00



DATA SHEET

DVA 630 ECP 41 | 157287



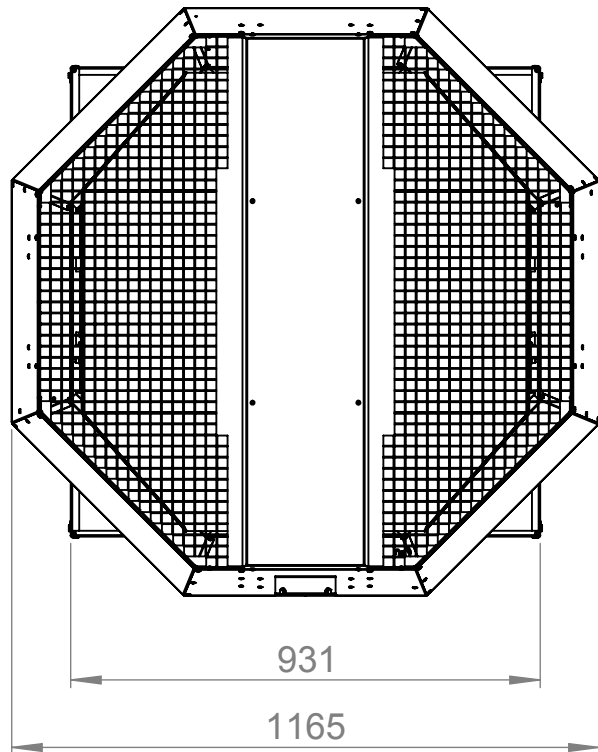
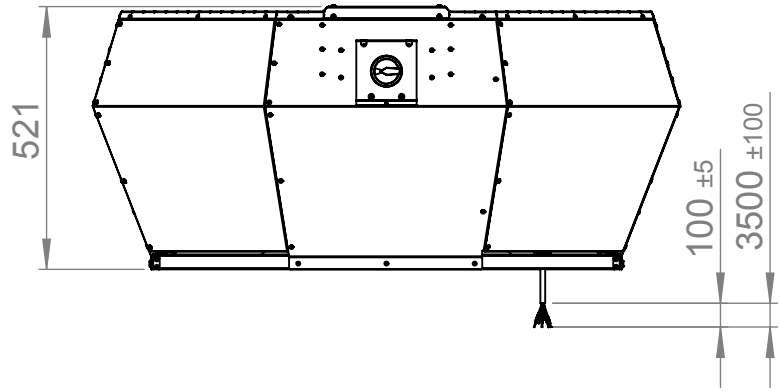
- Backward curved centrifugal fan
- EC motor
- Integrated electronic
- Internal electronic temperature monitoring
- Housing made of aluminium AIMg3
- Swing out design
- With isolator switch

— ErP compliant range

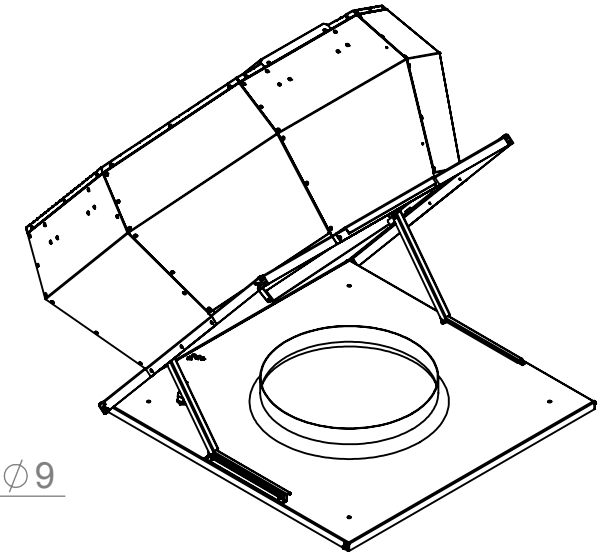
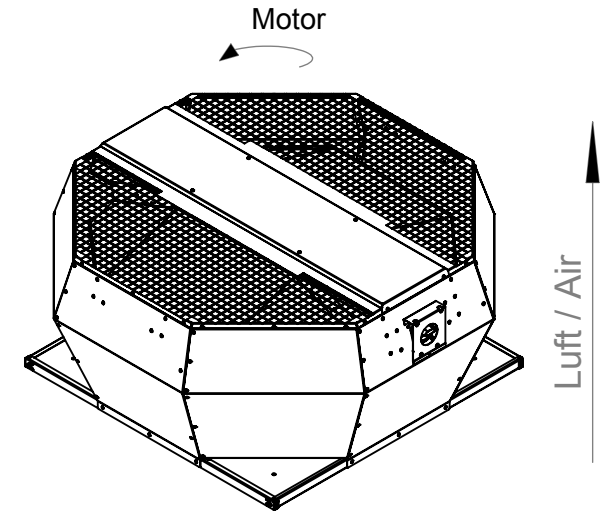
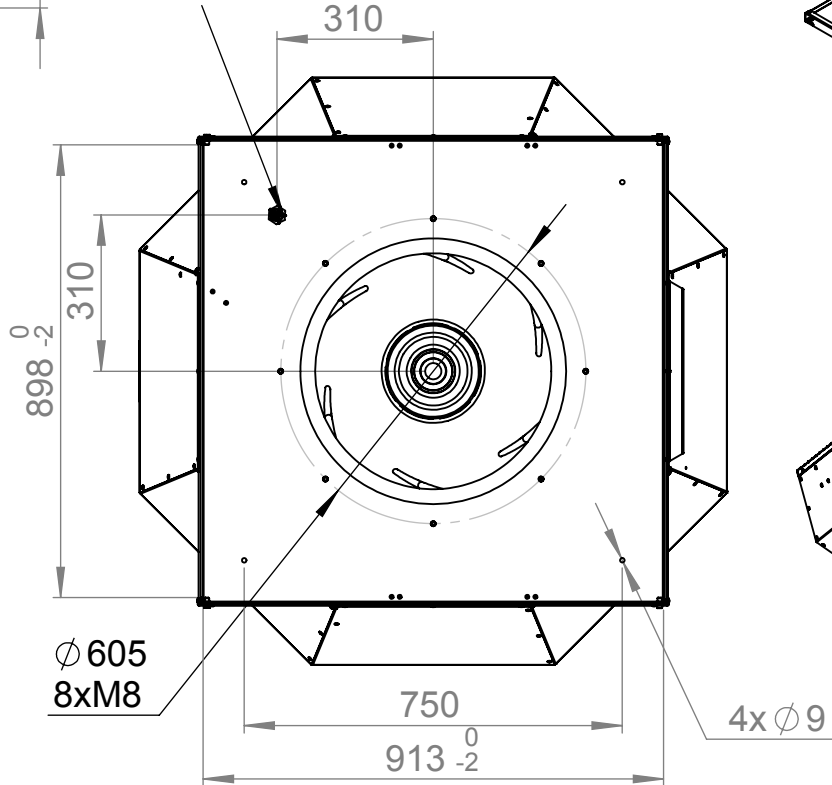
Operating Point		1	2	3	4	5
Current I	A	1,6	2,4	3,6	3,9	3,8
Power consumption P _i	W	1034	1632	2483	2695	2582
Rotation speed n	1/min	1298	1288	1281	1272	1279
SWL inlet L _{WA5}	dB(A)	81	83	83	81	82
SWL outlet L _{WA6}	dB(A)	86	86	84	85	87
SWL housing break out L _{WA2}	dB(A)	-	-	-	-	-

Sound power (L _W) dB(A)		Medium Frequency Band								
		Σ	63	125	250	500	1k	2k	4k	8k
Inlet	L _{WA5}	83	58	73	78	77	75	73	68	62
Outlet	L _{WA6}	85	61	74	79	79	78	75	70	62
Housing radiation	L _{WA2}	-	-	-	-	-	-	-	-	-

DVA 630 ECP 41 157287	
Voltage U _N	400 V 3~
Current I _{max}	4,1 A
Ambient temperature t _A	40 °C
Conveyed medium temperature t _M	40 °C
Speed Control	0-10V
Motor protection	TEC
Insulation class motor	F
Weight	50,3 kg
Number of poles	-
IP motor	IP55
IP terminal box	-
IP complete unit	-
Min. operating temperature	-25 °C



Cable outlet



ruck^{eu}
VENTILATOREN
ruck Ventilatoren
Max-Planck-Str. 5
D-97944 Boxberg



Protection Mark
according to ISO16016

Created d.hancu
Drawn d.hancu
Released d.hancu
Disabled

1:15 A4 mm

General tolerances
DIN ISO 2768-c

DVA630ECP40

157287 00

VENTAS
VENTILATORER