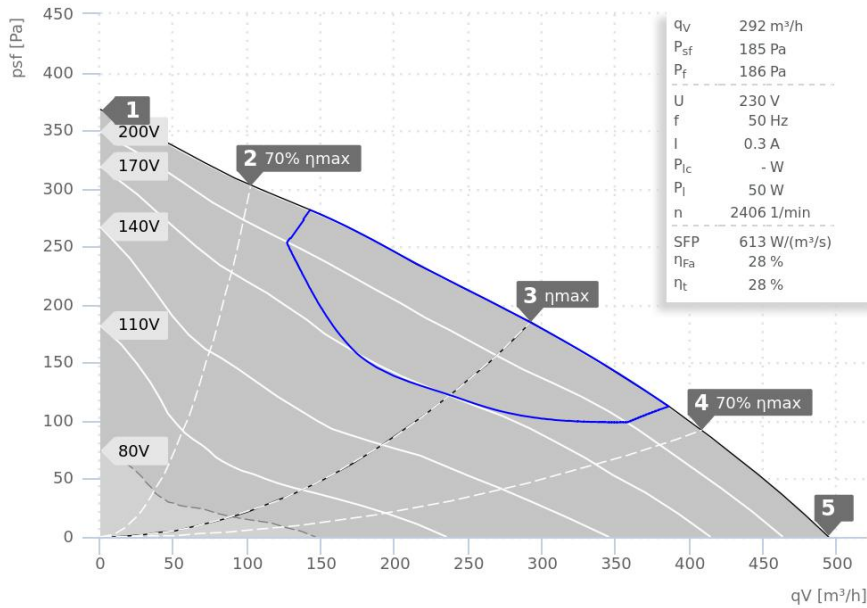


DATA SHEET

DHA 190 E2 40 | 134993



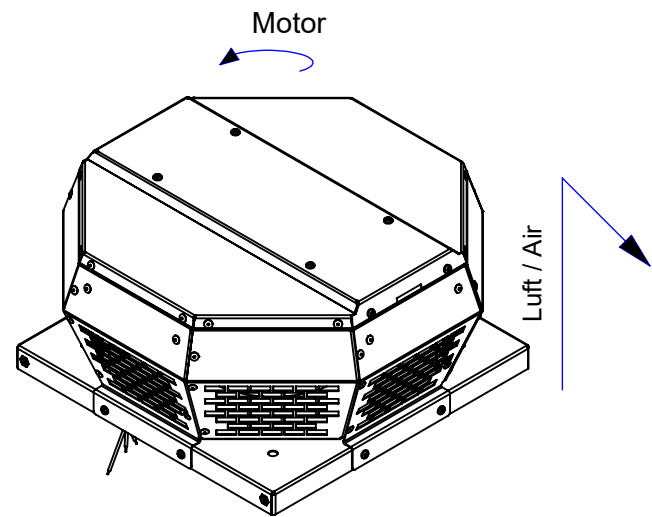
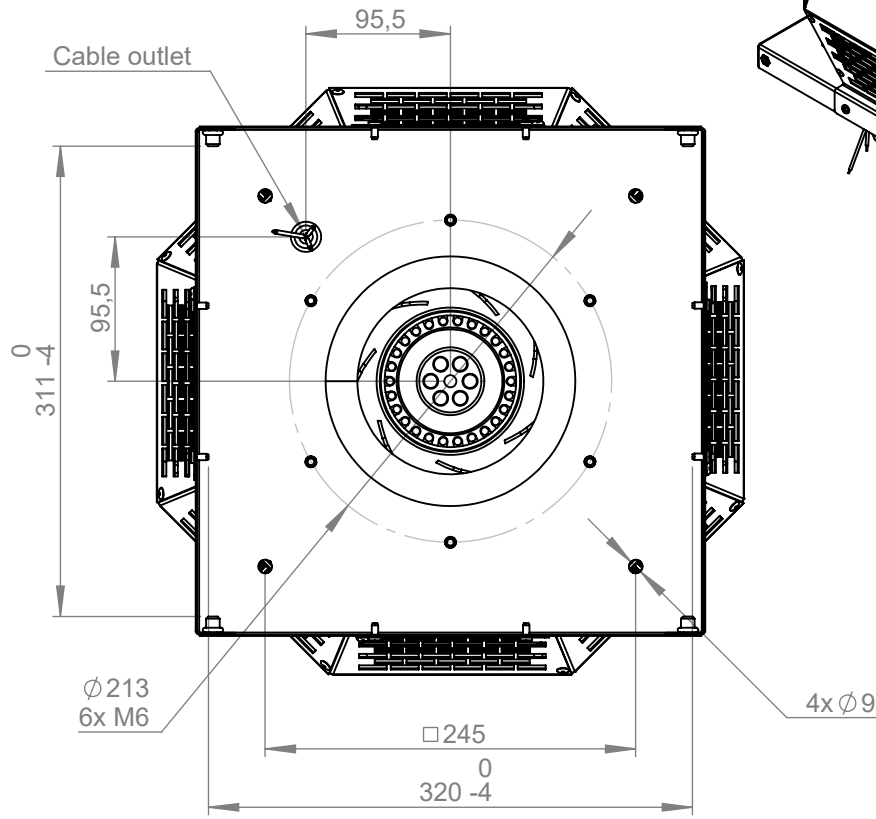
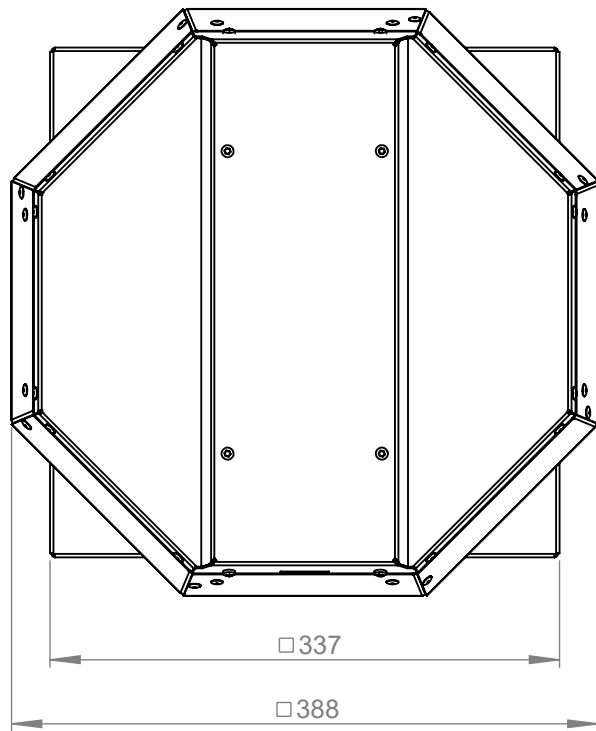
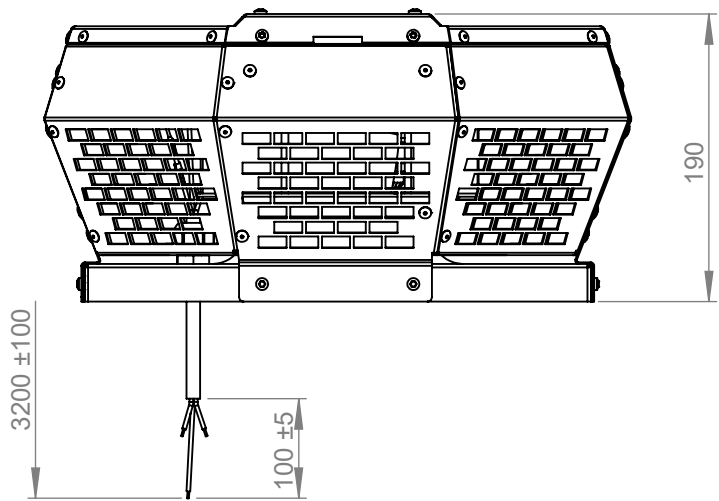
- Backward curved centrifugal fan
- Housing made of aluminium AlMg3
- Speed controllable
- Integrated thermostatic switch
- Maintenance-free ball bearings


— ErP compliant range

Operating Point		1	2	3	4	5
Current I	A	0,2	0,3	0,3	0,3	0,3
Power consumption P _i	W	36	43	50	48	45
Rotation speed n	1/min	2721	2553	2406	2453	2510
SWL inlet L _{WA5}	dB(A)	68	66	63	68	70
SWL outlet L _{WA6}	dB(A)	70	69	66	71	73
SWL housing break out L _{WA2}	dB(A)	-	-	-	-	-

Sound power (L _W) dB(A)		Medium Frequency Band								
		Σ	63	125	250	500	1k	2k	4k	8k
Inlet	L _{WA5}	63	34	43	50	56	59	58	55	46
Outlet	L _{WA6}	66	36	44	53	59	60	61	57	47
Housing radiation	L _{WA2}	-	-	-	-	-	-	-	-	-

DHA 190 E2 40 134993	
Voltage U _N	230 V 1~
Current I _{max}	0,3 A
Ambient temperature t _A	70 °C
Conveyed medium temperature t _M	70 °C
Speed Control	V
Motor protection	TMI
Insulation class motor	F
Weight	4,7 kg
Number of poles	2
IP motor	IP33
IP terminal box	IP44
IP complete unit	IPX4
Min. operating temperature	-25 °C



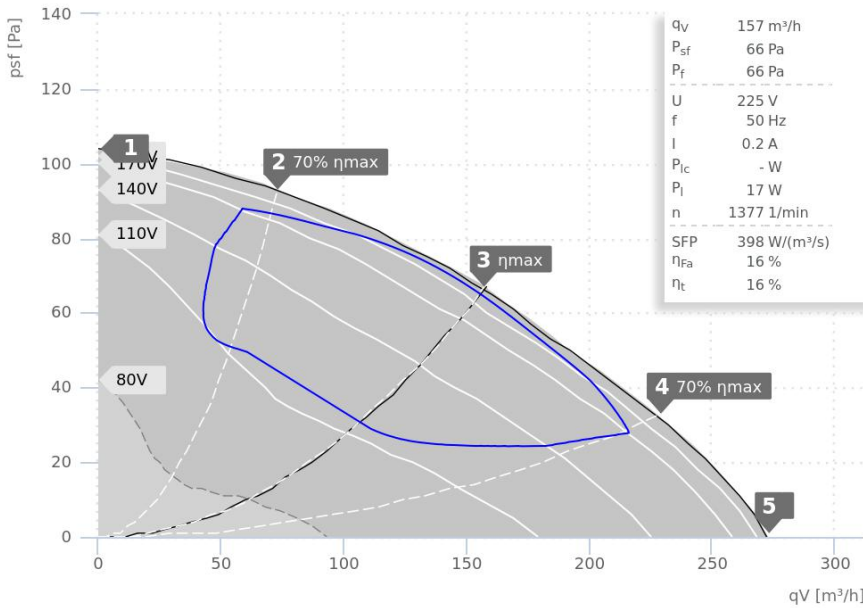

 1:5 A4 mm
 Protection Mark according to ISO16016
 General tolerances according to DIN ISO 2768-c
 Created s.pop 21.12.2015
 Drawn s.pop 21.12.2015
 Released v.brand 07.01.2020
 Disabled

DHA190E240+
134993 00



DATA SHEET

DHA 190 E4 30 | 130455



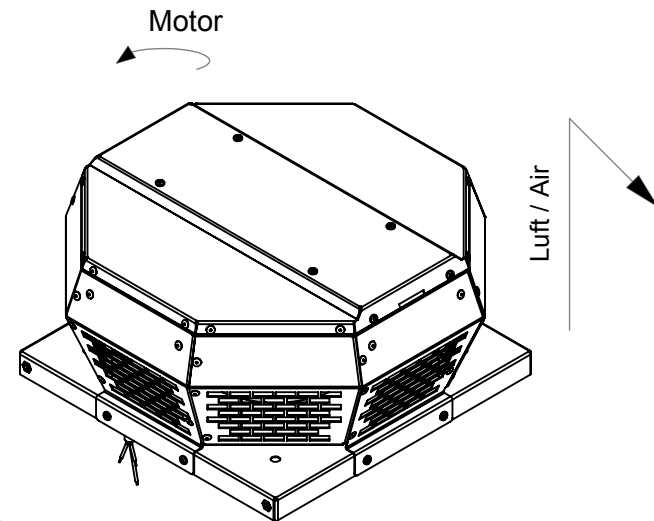
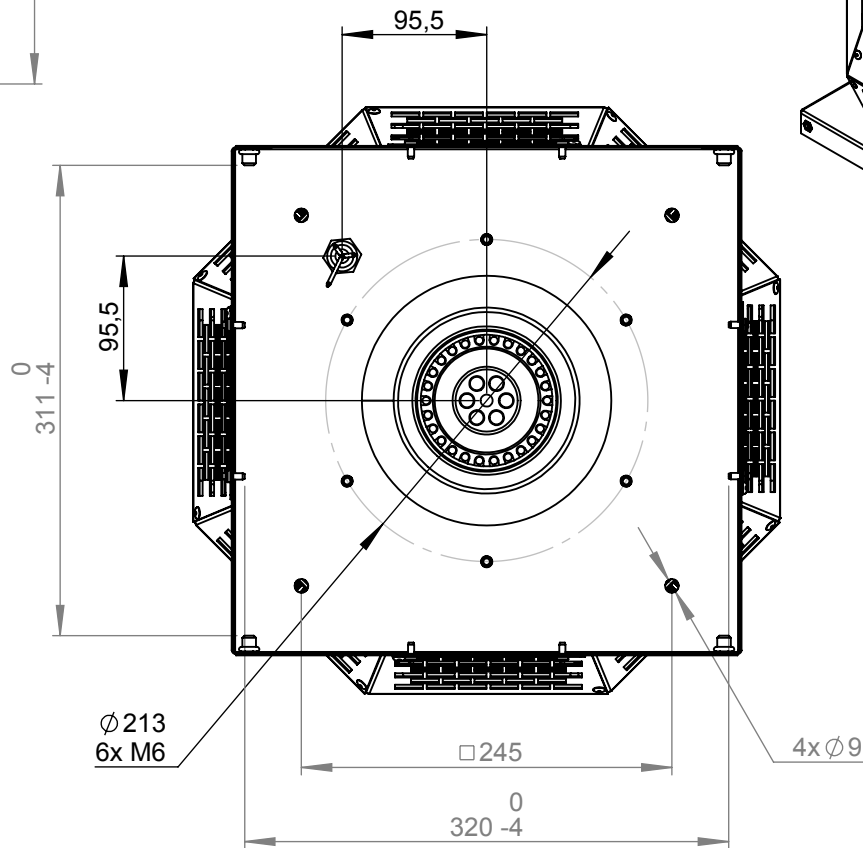
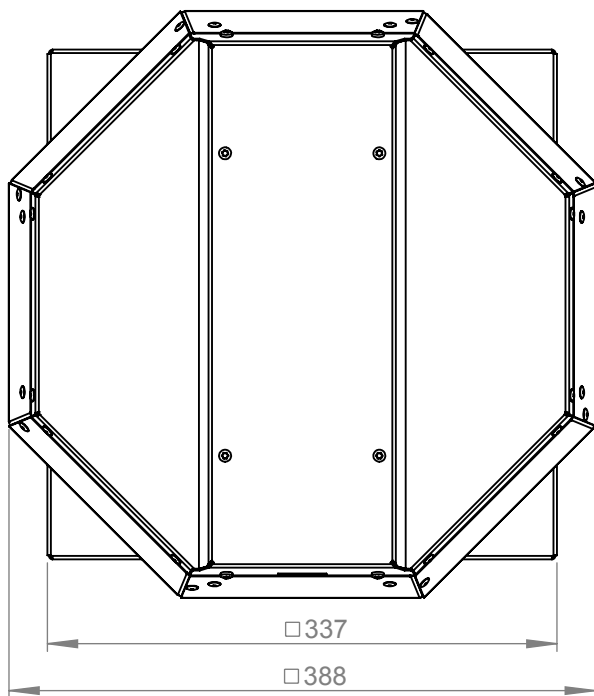
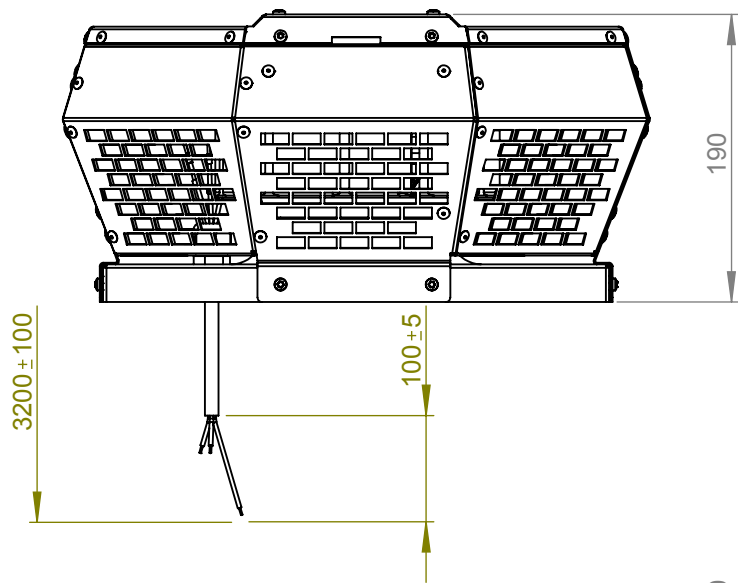
- Backward curved centrifugal fan
- Housing made of aluminium AlMg3
- Speed controllable
- Integrated thermostatic switch
- Maintenance-free ball bearings

— ErP compliant range

Operating Point		1	2	3	4	5
Current I	A	0,2	0,2	0,2	0,2	0,2
Power consumption P _i	W	16	16	18	18	17
Rotation speed n	1/min	1436	1403	1383	1384	1397
SWL inlet L _{WA5}	dB(A)	53	52	51	55	58
SWL outlet L _{WA6}	dB(A)	55	55	54	57	61
SWL housing break out L _{WA2}	dB(A)	-	-	-	-	-

Sound power (L _W) dB(A)		Medium Frequency Band								
		Σ	63	125	250	500	1k	2k	4k	8k
Inlet	L _{WA5}	51	27	34	39	44	46	46	31	19
Outlet	L _{WA6}	54	26	36	40	47	48	49	34	23
Housing radiation	L _{WA2}	-	-	-	-	-	-	-	-	-

DHA 190 E4 30 130455	
Voltage U _N	230 V 1~
Current I _{max}	0,2 A
Ambient temperature t _A	70 °C
Conveyed medium temperature t _M	70 °C
Speed Control	V
Motor protection	TAI
Insulation class motor	F
Weight	4,5 kg
Number of poles	4
IP motor	IP33
IP terminal box	IP44
IP complete unit	IPX4
Min. operating temperature	-25 °C



ruck Ventilatoren
Max-Planck-Str. 5
D-97944 Boxberg



Protection Mark
according to ISO16016

Created a.andreescu
Drawn a.andreescu
Released v.brand
Disabled

1:5 A4 mm

General tolerances
DIN ISO 2768-c

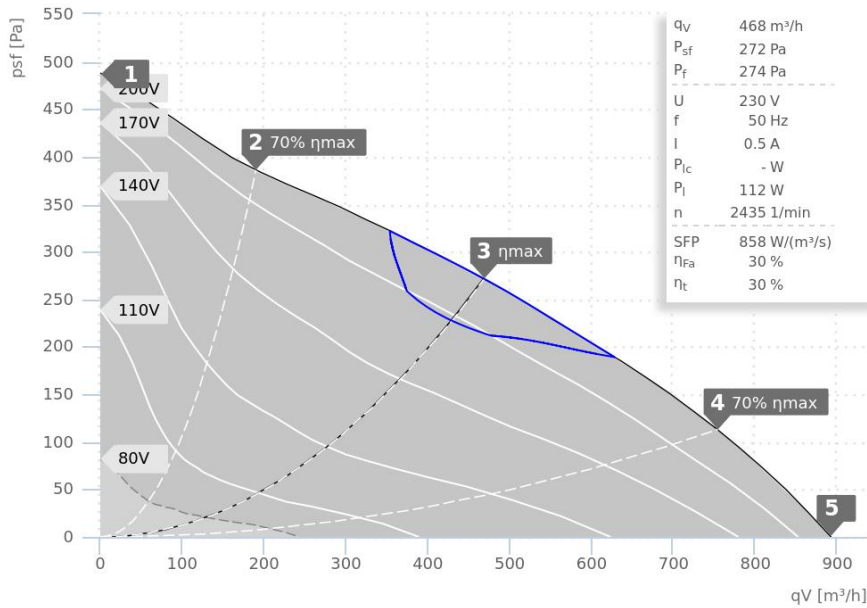
DHA190E430+

130455 00



DATA SHEET

DHA 220 E2 30 | 131826



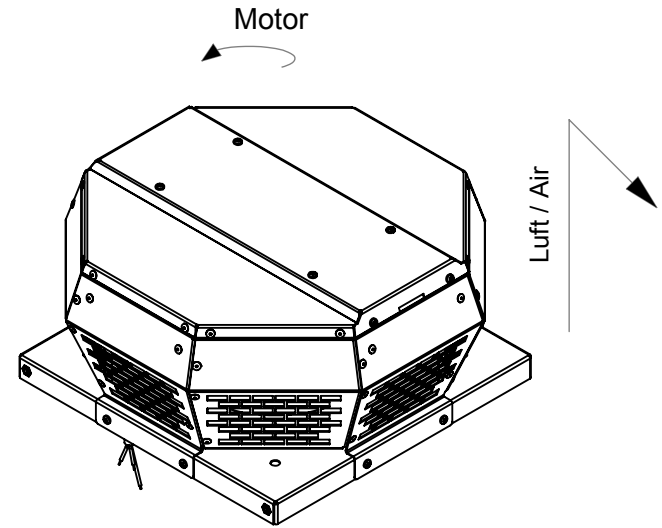
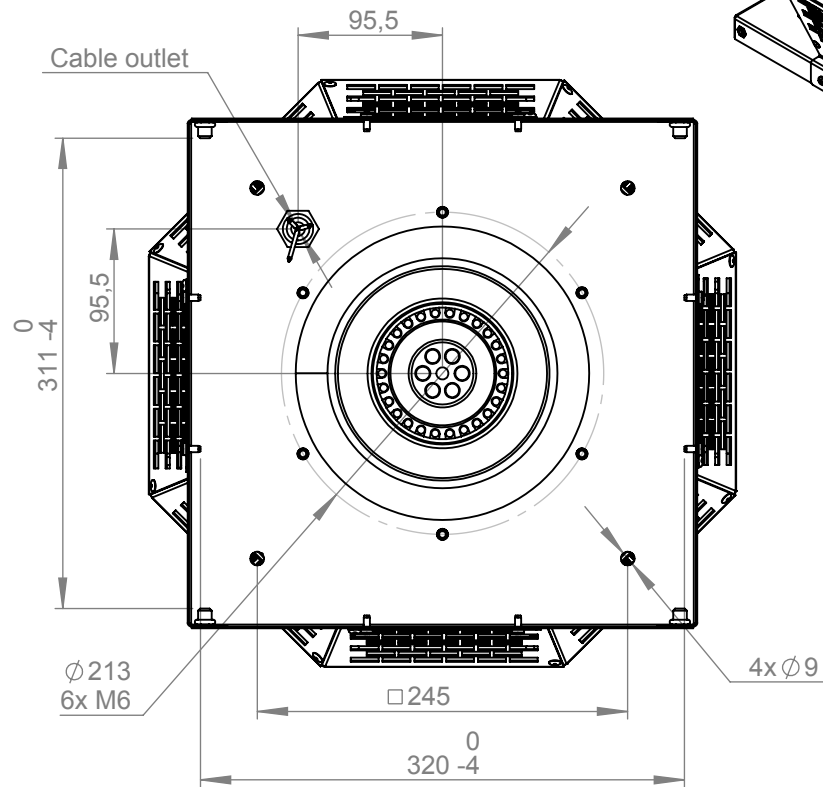
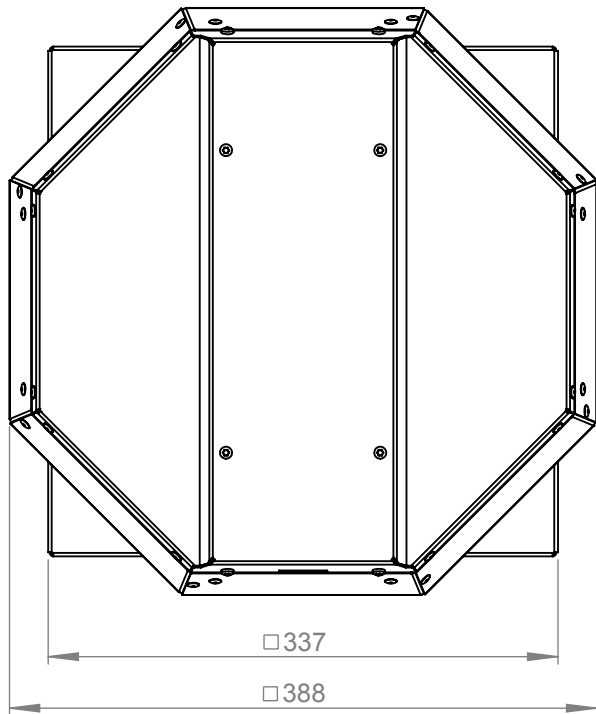
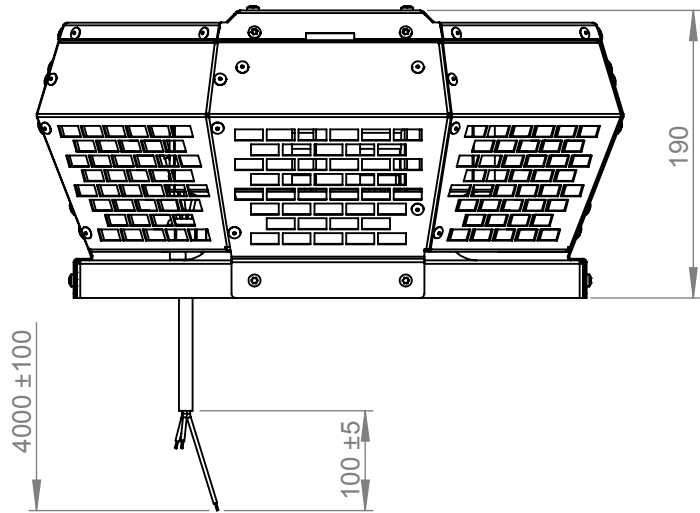
- Backward curved centrifugal fan
- Housing made of aluminium AlMg3
- Speed controllable
- Integrated thermostatic switch
- Maintenance-free ball bearings

— ErP compliant range

Operating Point		1	2	3	4	5
Current I	A	0,4	0,5	0,5	0,5	0,5
Power consumption P _i	W	78	96	112	105	96
Rotation speed n	1/min	2761	2576	2435	2521	2598
SWL inlet L _{WA5}	dB(A)	65	66	67	69	72
SWL outlet L _{WA6}	dB(A)	70	71	71	74	76
SWL housing break out L _{WA2}	dB(A)	-	-	-	-	-

Sound power (L _W) dB(A)		Medium Frequency Band								
		Σ	63	125	250	500	1k	2k	4k	8k
Inlet	L _{WA5}	67	31	44	54	61	62	60	58	54
Outlet	L _{WA6}	71	34	47	57	64	66	67	61	53
Housing radiation	L _{WA2}	-	-	-	-	-	-	-	-	-

DHA 220 E2 30 131826	
Voltage U _N	230 V 1~
Current I _{max}	0,6 A
Ambient temperature t _A	60 °C
Conveyed medium temperature t _M	60 °C
Speed Control	V
Motor protection	TAI
Insulation class motor	F
Weight	4,9 kg
Number of poles	2
IP motor	IP33
IP terminal box	IP44
IP complete unit	IPX4
Min. operating temperature	-25 °C



Protection Mark
according to ISO 16016

Created I.benk
Drawn I.benk
Released v.brand
Disabled

1:5 A4 mm

General tolerances
DIN ISO 2768-c

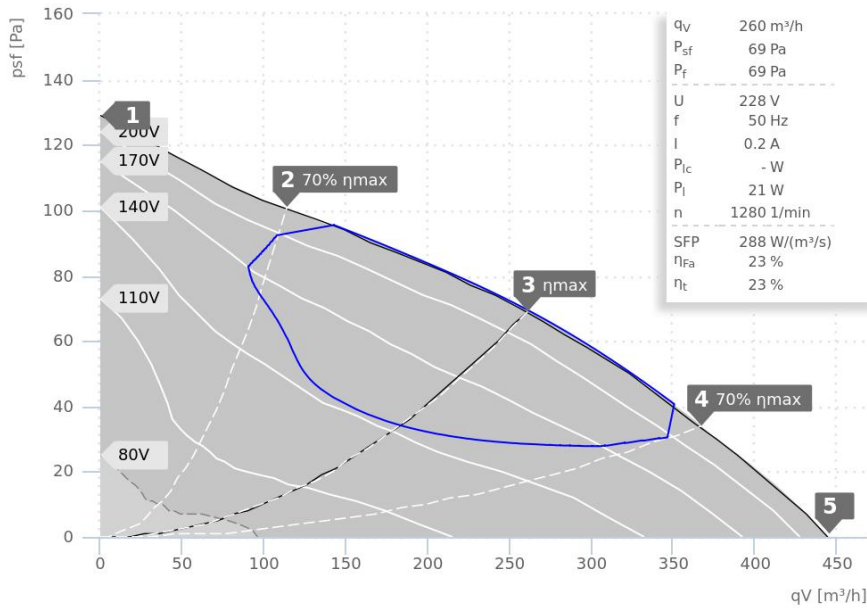
DHA220E230+

131826 00



DATA SHEET

DHA 220 E4 30 | 131789



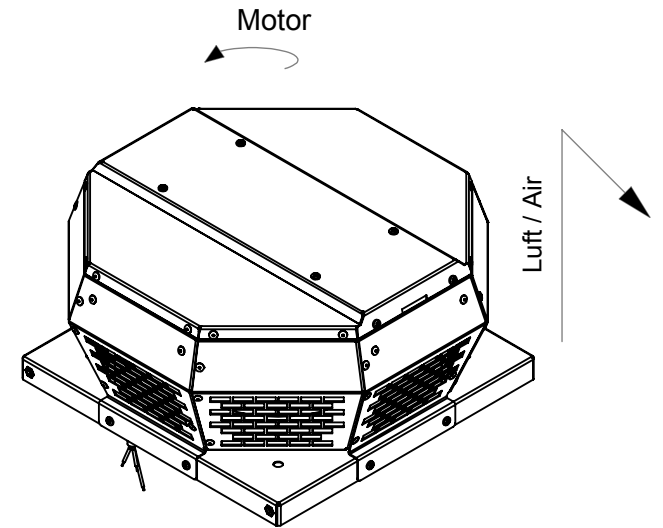
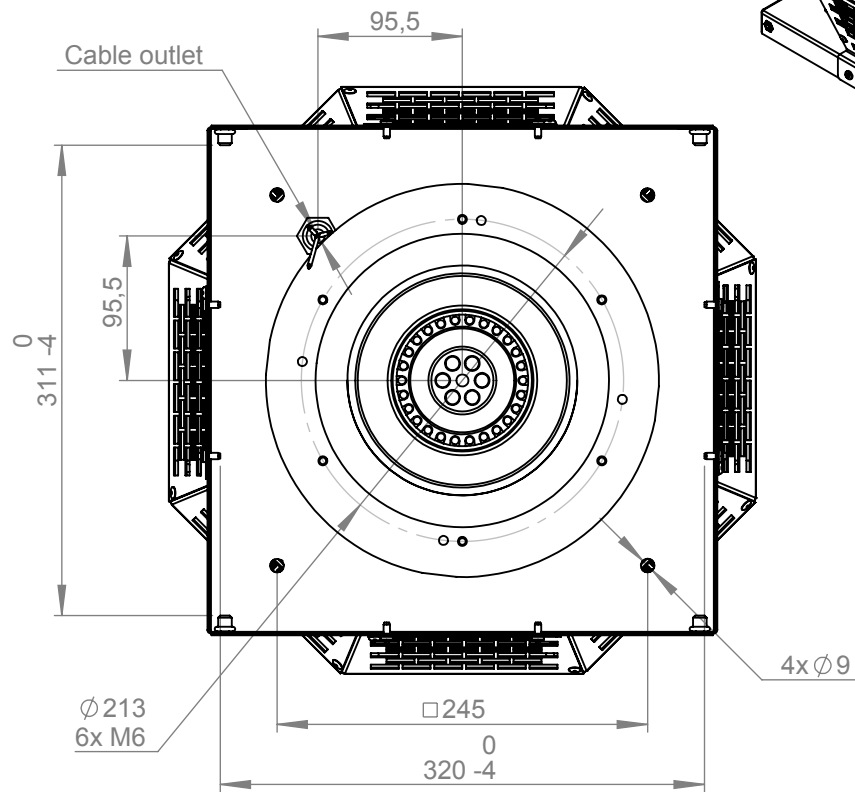
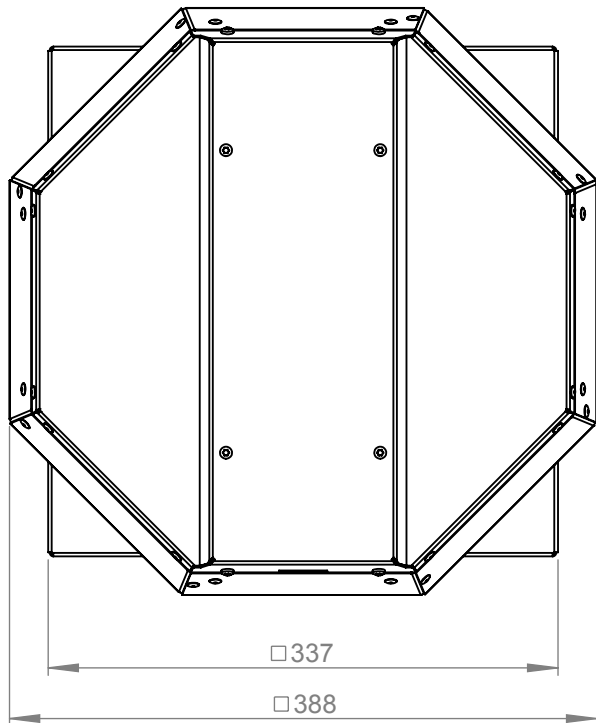
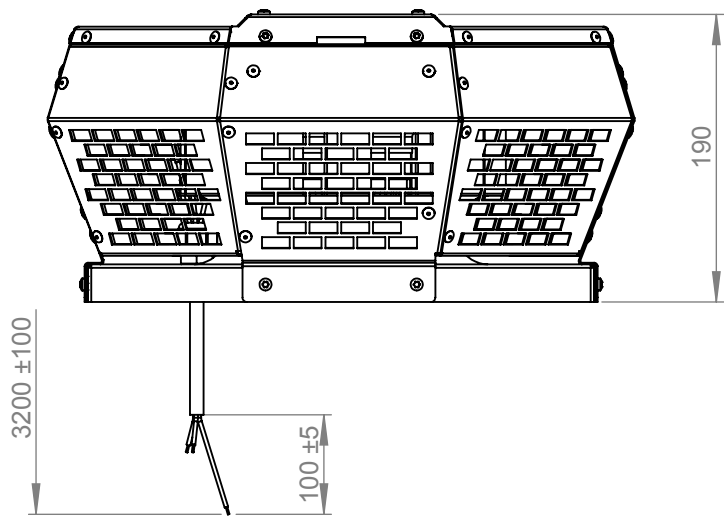
- Backward curved centrifugal fan
- Housing made of aluminium AlMg3
- Speed controllable
- Integrated thermostatic switch
- Maintenance-free ball bearings

— ErP compliant range

Operating Point		1	2	3	4	5
Current I	A	0,2	0,2	0,2	0,2	0,2
Power consumption P _i	W	17	19	21	20	19
Rotation speed n	1/min	1401	1327	1281	1311	1338
SWL inlet L _{WA5}	dB(A)	56	55	50	55	60
SWL outlet L _{WA6}	dB(A)	59	57	54	60	62
SWL housing break out L _{WA2}	dB(A)	-	-	-	-	-

Sound power (L _W) dB(A)		Medium Frequency Band								
		Σ	63	125	250	500	1k	2k	4k	8k
Inlet	L _{WA5}	50	23	34	40	45	45	43	32	19
Outlet	L _{WA6}	54	21	37	42	48	49	50	37	26
Housing radiation	L _{WA2}	-	-	-	-	-	-	-	-	-

DHA 220 E4 30 131789	
Voltage U _N	230 V 1~
Current I _{max}	0,2 A
Ambient temperature t _A	80 °C
Conveyed medium temperature t _M	80 °C
Speed Control	V
Motor protection	TAI
Insulation class motor	F
Weight	5,0 kg
Number of poles	4
IP motor	IP33
IP terminal box	IP44
IP complete unit	IPX4
Min. operating temperature	-25 °C



ruck^{eu}
VENTILATOREN
ruck Ventilatoren
Max-Planck-Str. 5
D-97944 Boxberg



Protection Mark
according to ISO 16016
Created I.benk
Drawn I.benk
Released v.brand
Disabled

1:5 A4 mm

General tolerances
DIN ISO 2768-c

16.12.2014
16.12.2014
07.01.2020

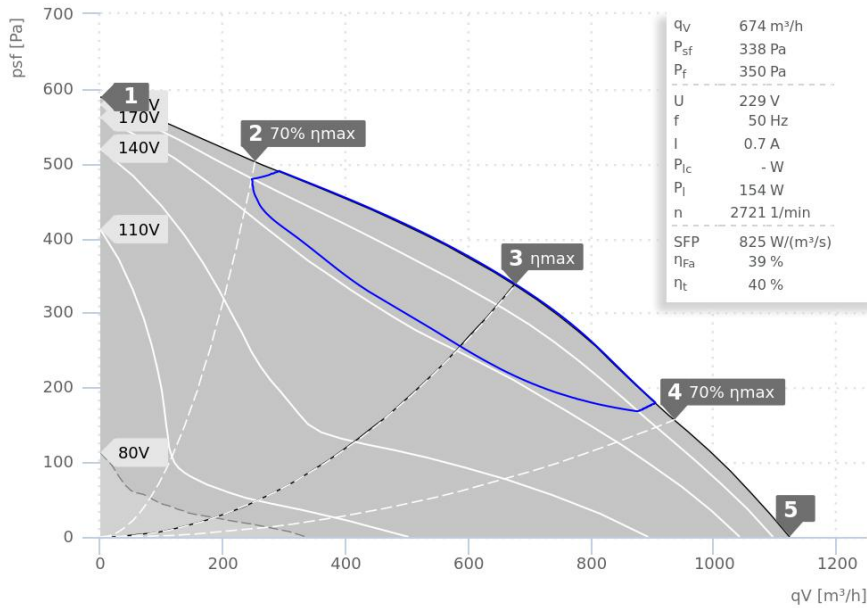
DHA220E430+

131789 00

VENTAS
VENTILATORER

DATA SHEET

DHA 225 E2 30 | 137246



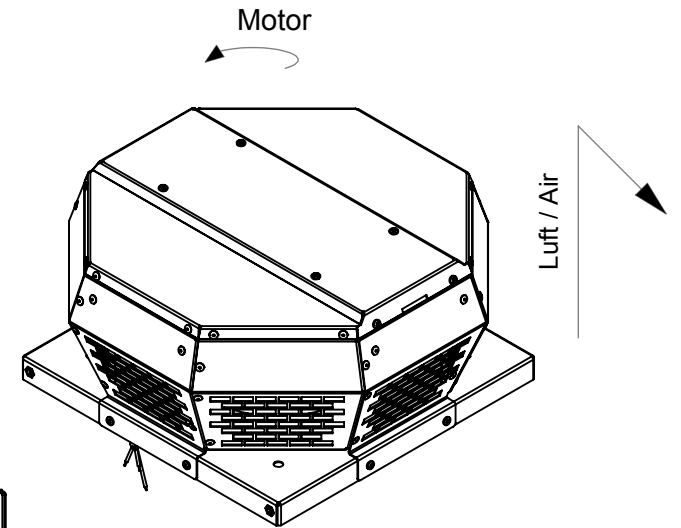
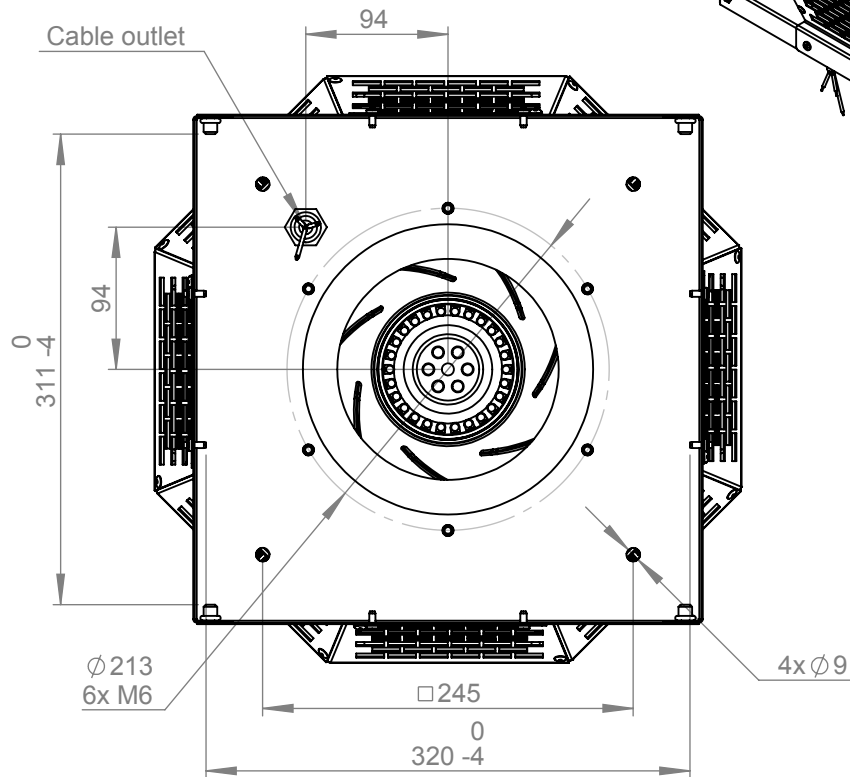
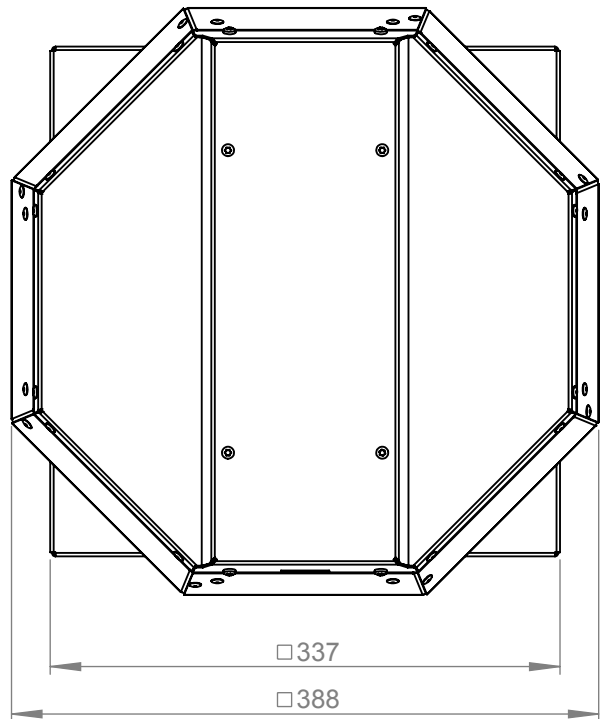
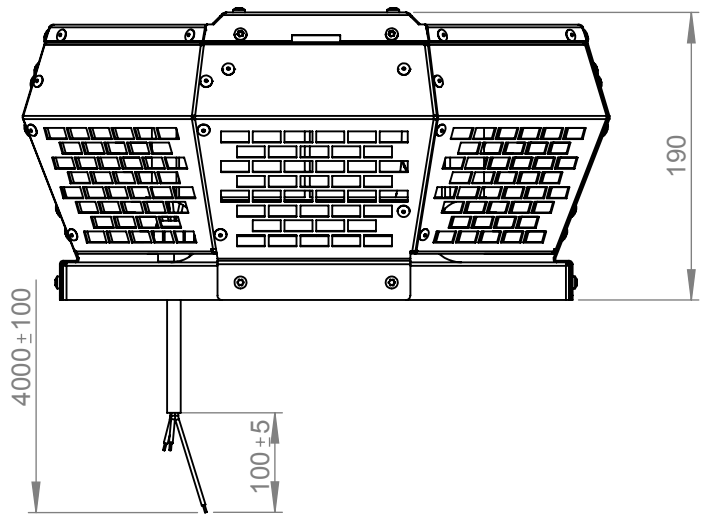
- Backward curved centrifugal fan
- Housing made of aluminium AlMg3
- Speed controllable
- Integrated thermostatic switch
- Maintenance-free ball bearings

— ErP compliant range

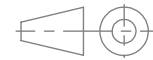
Operating Point		1	2	3	4	5
Current I	A	0,4	0,6	0,7	0,6	0,6
Power consumption P _i	W	90	125	155	141	125
Rotation speed n	1/min	2894	2800	2725	2770	2809
SWL inlet L _{WA5}	dB(A)	74	74	72	76	79
SWL outlet L _{WA6}	dB(A)	78	78	76	79	82
SWL housing break out L _{WA2}	dB(A)	-	-	-	-	-

Sound power (L _W) dB(A)		Medium Frequency Band								
		Σ	63	125	250	500	1k	2k	4k	8k
Inlet	L _{WA5}	72	44	56	61	64	66	64	66	61
Outlet	L _{WA6}	76	44	57	65	68	70	70	68	61
Housing radiation	L _{WA2}	-	-	-	-	-	-	-	-	-

DHA 225 E2 30 137246	
Voltage U _N	230 V 1~
Current I _{max}	0,9 A
Ambient temperature t _A	60 °C
Conveyed medium temperature t _M	60 °C
Speed Control	V
Motor protection	TMI
Insulation class motor	F
Weight	5,7 kg
Number of poles	2
IP motor	IP33
IP terminal box	-
IP complete unit	IPX4
Min. operating temperature	-25 °C



ruck^{eu}
VENTILATOREN
ruck Ventilatoren
Max-Planck-Str. 5
D-97944 Boxberg



Protection Mark
according to ISO 16016

Created I.benk
Drawn I.benk
Released v.brand
Disabled

1:5 A4 mm

General tolerances
DIN ISO 2768-c

30.06.2016
30.06.2016
07.01.2020

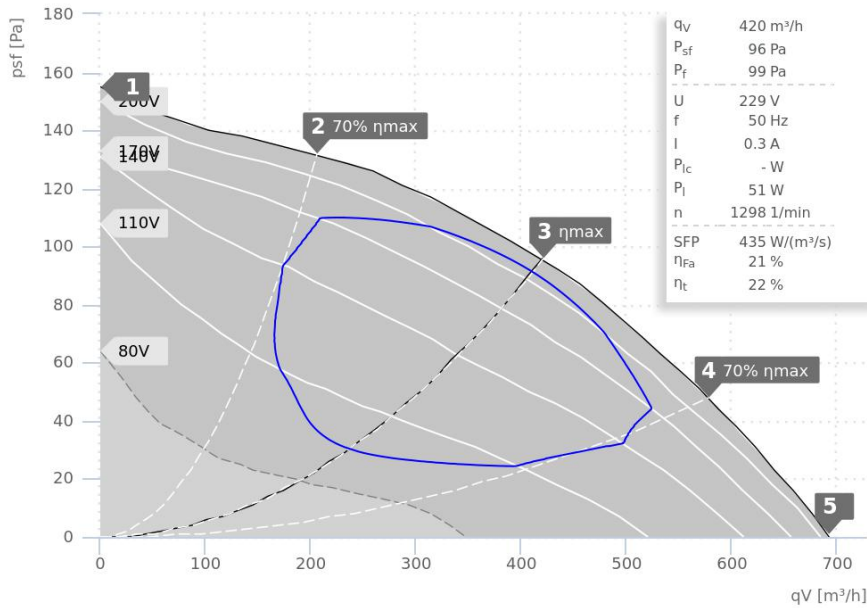
DHA225E230+

137246 00

VENTAS
VENTILATOREN

DATA SHEET

DHA 250 E4 30 | 130450



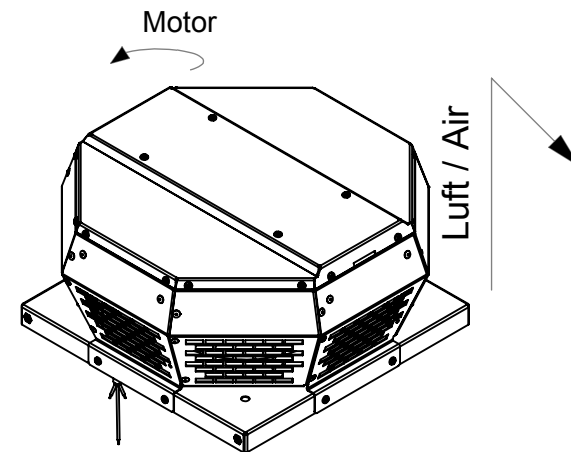
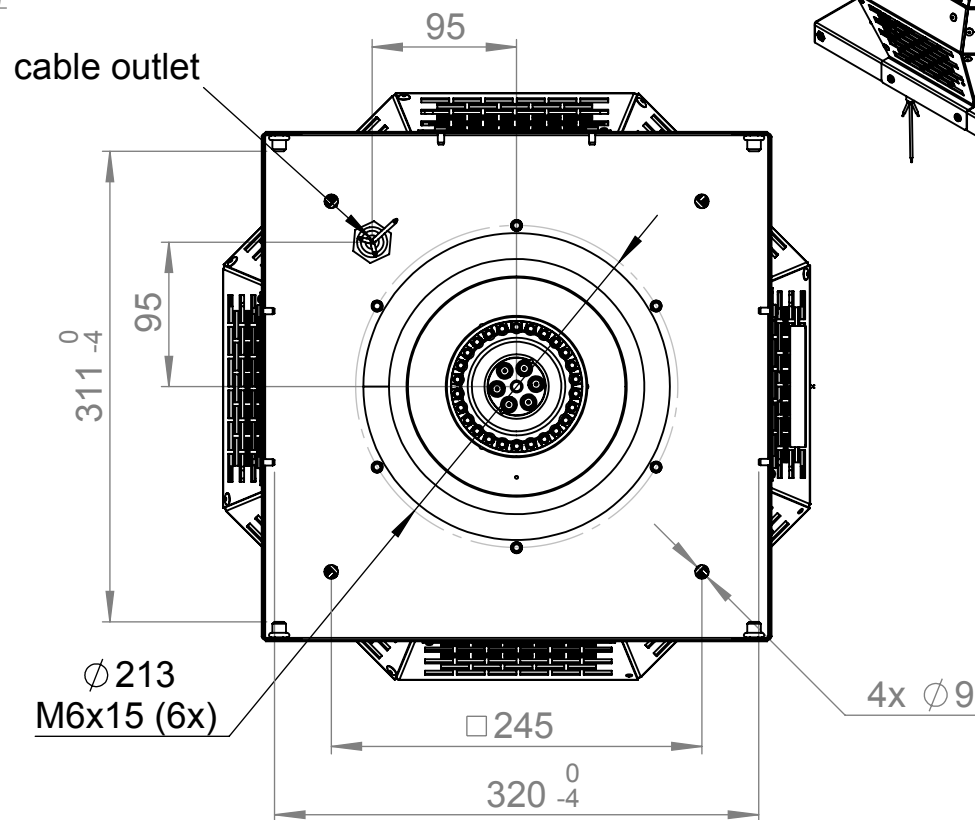
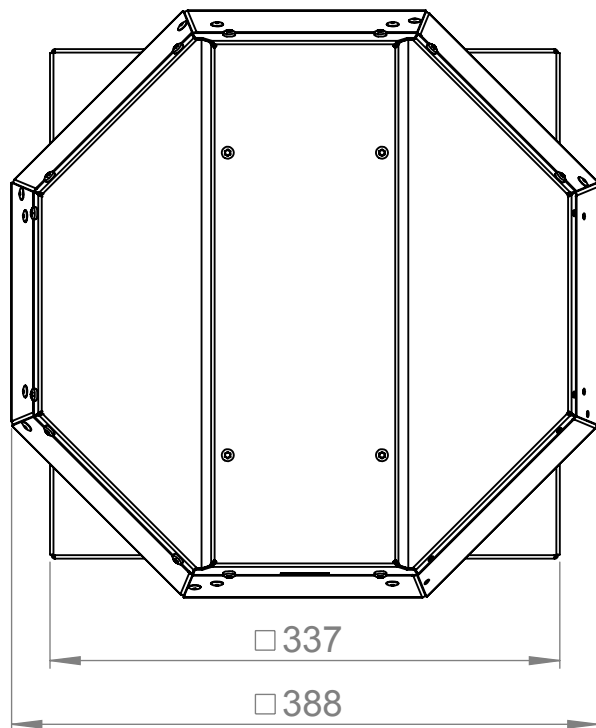
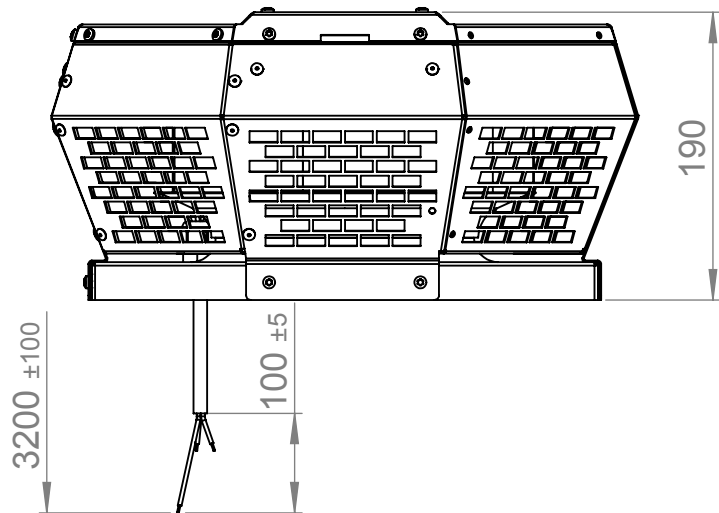
- Backward curved centrifugal fan
- Housing made of aluminium AlMg3
- Speed controllable
- Integrated thermostatic switch
- Maintenance-free ball bearings

— ErP compliant range

Operating Point		1	2	3	4	5
Current I	A	0,3	0,3	0,3	0,3	0,3
Power consumption P _i	W	45	50	51	49	47
Rotation speed n	1/min	1394	1322	1299	1332	1365
SWL inlet L _{WA5}	dB(A)	61	61	62	64	66
SWL outlet L _{WA6}	dB(A)	63	64	65	67	68
SWL housing break out L _{WA2}	dB(A)	-	-	-	-	-

Sound power (L _W) dB(A)		Medium Frequency Band								
		Σ	63	125	250	500	1k	2k	4k	8k
Inlet	L _{WA5}	62	26	39	46	51	54	60	52	38
Outlet	L _{WA6}	65	27	42	49	55	57	62	55	40
Housing radiation	L _{WA2}	-	-	-	-	-	-	-	-	-

DHA 250 E4 30 130450	
Voltage U _N	230 V 1~
Current I _{max}	0,3 A
Ambient temperature t _A	70 °C
Conveyed medium temperature t _M	70 °C
Speed Control	V
Motor protection	TAI
Insulation class motor	F
Weight	5,4 kg
Number of poles	4
IP motor	IP33
IP terminal box	-
IP complete unit	IPX4
Min. operating temperature	-25 °C



ruck Ventilatoren
Max-Planck-Str. 5
D-97944 Boxberg



Protection Mark
according to ISO16016

Created d.hancu
Drawn d.hancu
Released v.brand
Disabled

1:5 A4 mm

General tolerances
DIN ISO 2768-c

27.06.2014
27.06.2014
15.07.2019

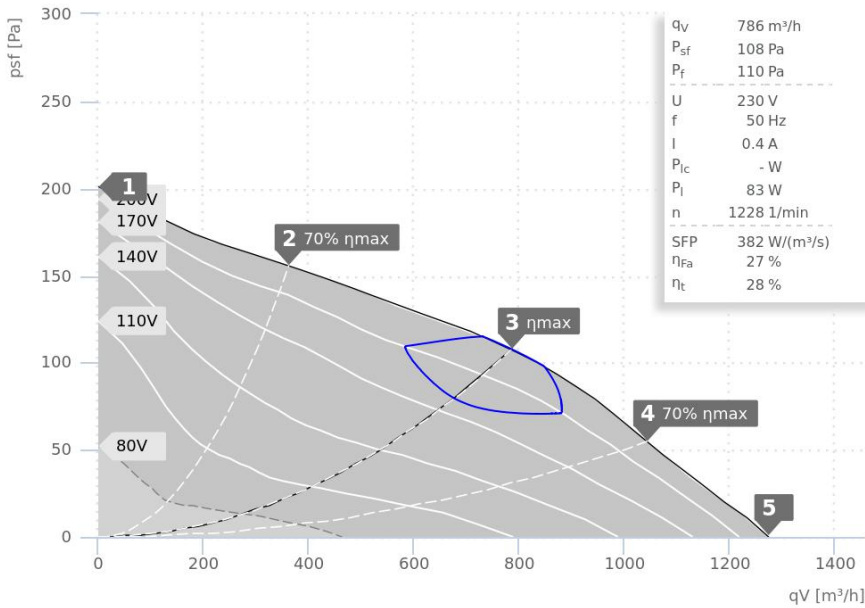
DHA250E430+

130450 00



DATA SHEET

DHA 280 E4 30 | 130101



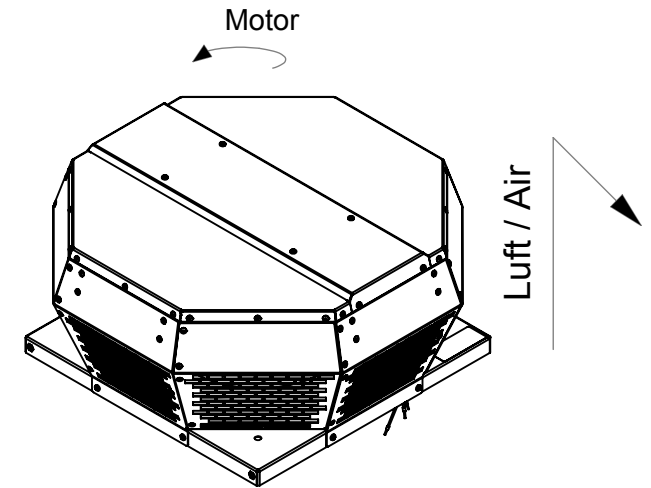
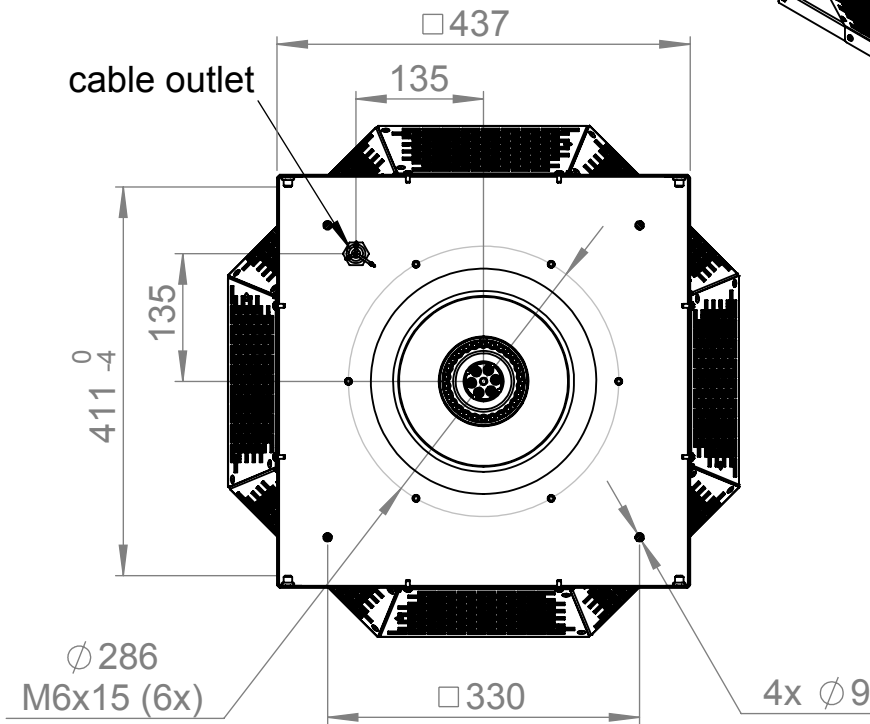
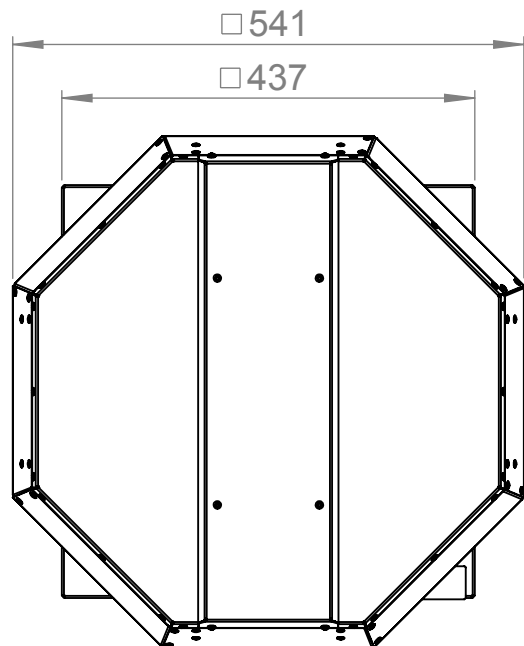
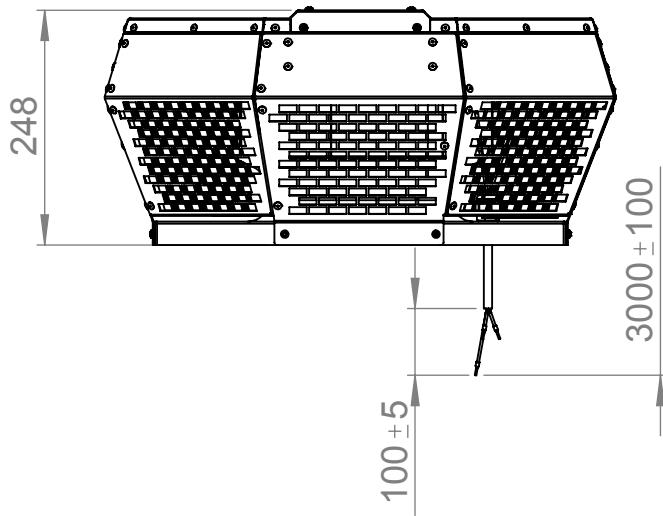
- Backward curved centrifugal fan
- Housing made of aluminium AlMg3
- Speed controllable
- Integrated thermostatic switch
- Maintenance-free ball bearings

— ErP compliant range

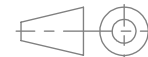
Operating Point		1	2	3	4	5
Current I	A	0,4	0,4	0,4	0,4	0,4
Power consumption P _i	W	68	80	85	80	75
Rotation speed n	1/min	1392	1274	1228	1285	1327
SWL inlet L _{WA5}	dB(A)	61	60	59	64	68
SWL outlet L _{WA6}	dB(A)	67	66	65	68	71
SWL housing break out L _{WA2}	dB(A)	-	-	-	-	-

Sound power (L _W) dB(A)		Medium Frequency Band								
		Σ	63	125	250	500	1k	2k	4k	8k
Inlet	L _{WA5}	60	33	46	50	54	52	52	52	44
Outlet	L _{WA6}	65	32	46	55	59	60	59	55	46
Housing radiation	L _{WA2}	-	-	-	-	-	-	-	-	-

DHA 280 E4 30 130101	
Voltage U _N	230 V 1~
Current I _{max}	0,4 A
Ambient temperature t _A	70 °C
Conveyed medium temperature t _M	70 °C
Speed Control	V
Motor protection	TAI
Insulation class motor	F
Weight	7,9 kg
Number of poles	4
IP motor	IP33
IP terminal box	IP44
IP complete unit	IPX4
Min. operating temperature	-25 °C



ruck Ventilatoren
Max-Planck-Str. 5
D-97944 Boxberg



Protection Mark
according to ISO16016

Created d.hancu
Drawn d.hancu
Released v.brand
Disabled

1:8 A4 mm

General tolerances
DIN ISO 2768-c

28.04.2014
28.04.2014
15.07.2019

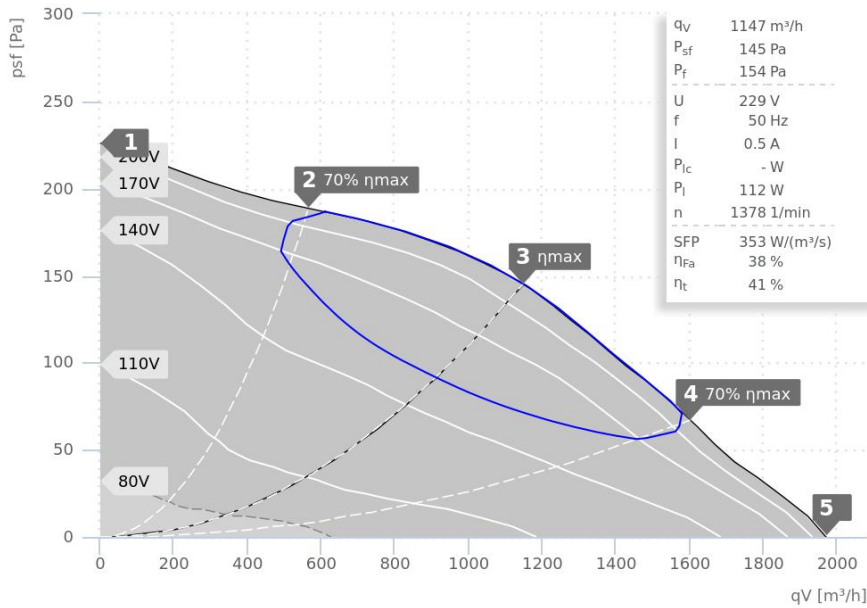
DHA280E430+

130101 00



DATA SHEET

DHA 315 E4 42 | 156469



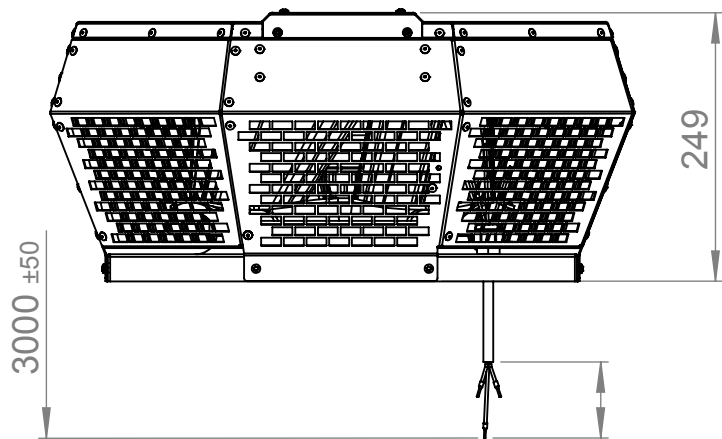
- Backward curved centrifugal fan
- Housing made of aluminium AlMg3
- Speed controllable
- Integrated thermostatic switch
- Maintenance-free ball bearings

— ErP compliant range

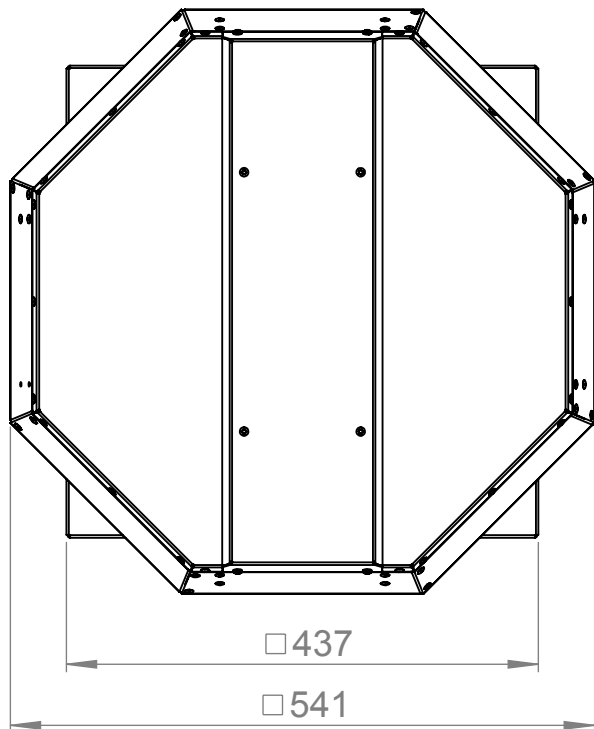
Operating Point		1	2	3	4	5
Current I	A	0,4	0,5	0,5	0,5	0,5
Power consumption P ₁	W	90	104	113	103	94
Rotation speed n	1/min	1423	1398	1380	1401	1420
SWL inlet L _{WA5}	dB(A)	64	63	64	65	69
SWL outlet L _{WA6}	dB(A)	70	68	67	69	73
SWL housing break out L _{WA2}	dB(A)	-	-	-	-	-

Sound power (L _W) dB(A)		Medium Frequency Band								
		Σ	63	125	250	500	1k	2k	4k	8k
Inlet	L _{WA5}	64	41	51	52	57	57	60	51	36
Outlet	L _{WA6}	67	41	52	55	59	62	64	53	39
Housing radiation	L _{WA2}	-	-	-	-	-	-	-	-	-

DHA 315 E4 42 156469	
Voltage U _N	230 V 1~
Current I _{max}	0,6 A
Ambient temperature t _A	60 °C
Conveyed medium temperature t _M	60 °C
Speed Control	V
Motor protection	TAI
Insulation class motor	B
Weight	8,5 kg
Number of poles	4
IP motor	IP44
IP terminal box	-
IP complete unit	-
Min. operating temperature	-25 °C

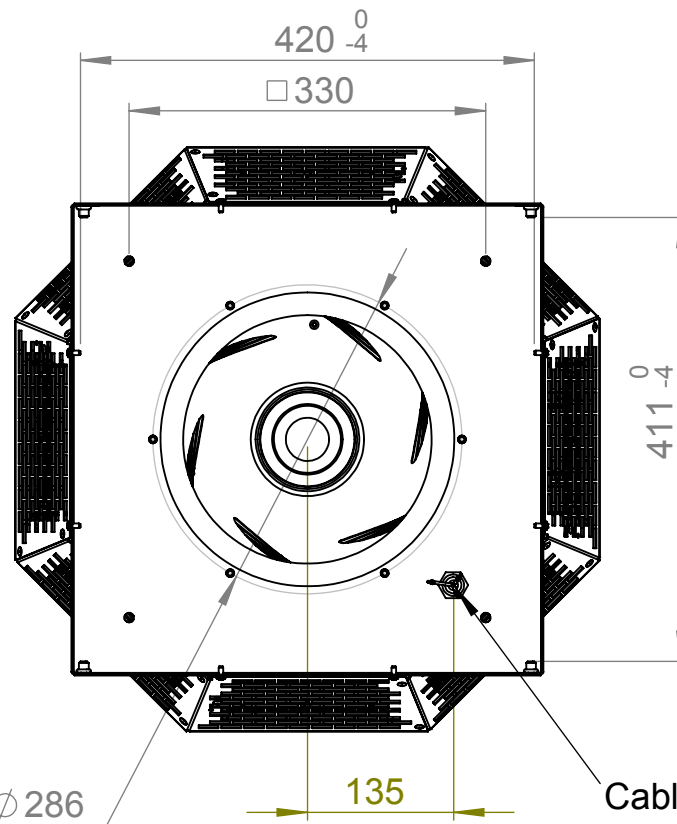


100 ±5



□437

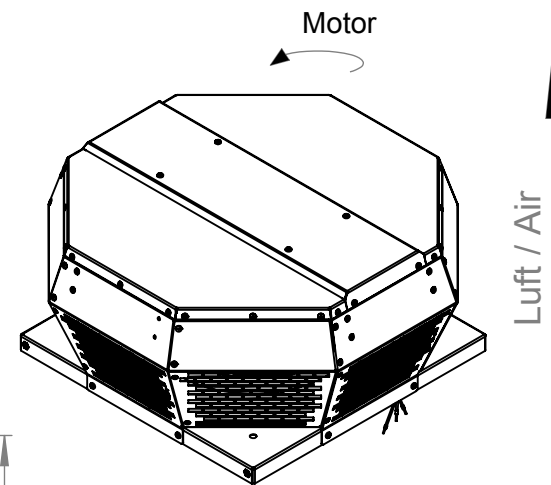
□541



LK Ø286

135

Cable outlet



Motor

Luft / Air



ruck Ventilatoren
Max-Planck-Str. 5
D-97944 Boxberg



Protection Mark
according to ISO 16016

Created d.hancu
Drawn d.hancu
Released
Disabled

1:7 A4 mm

General tolerances
DIN ISO 2768-c

04.12.2020
04.12.2020

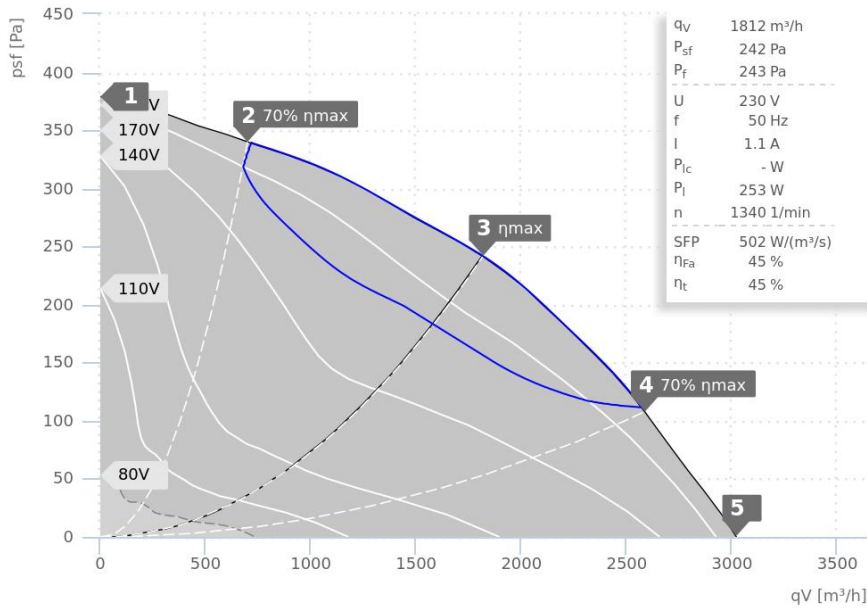
DHA315E442

156469 00



DATA SHEET

DHA 355 E4 30 | 131089



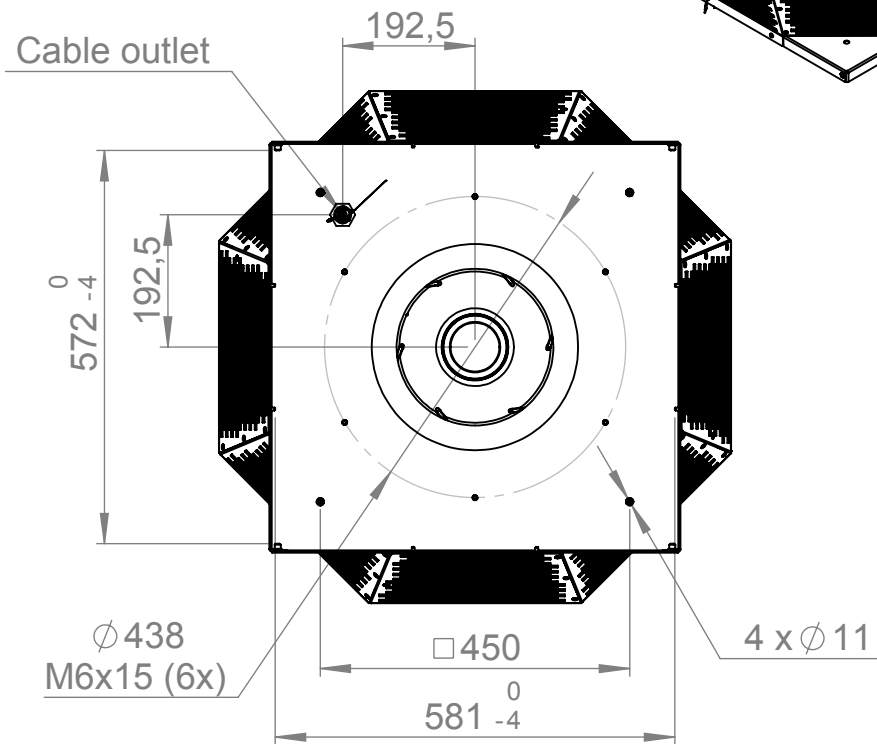
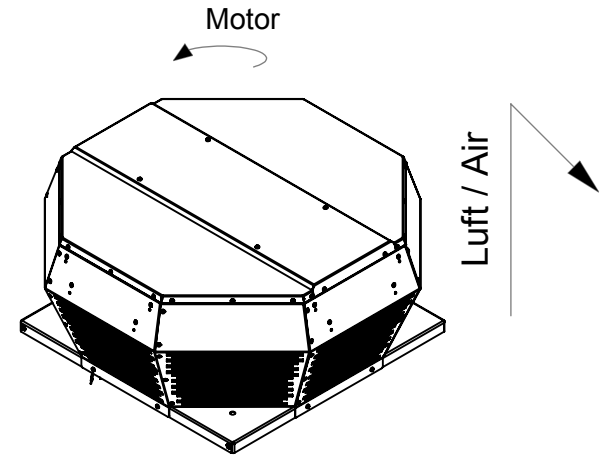
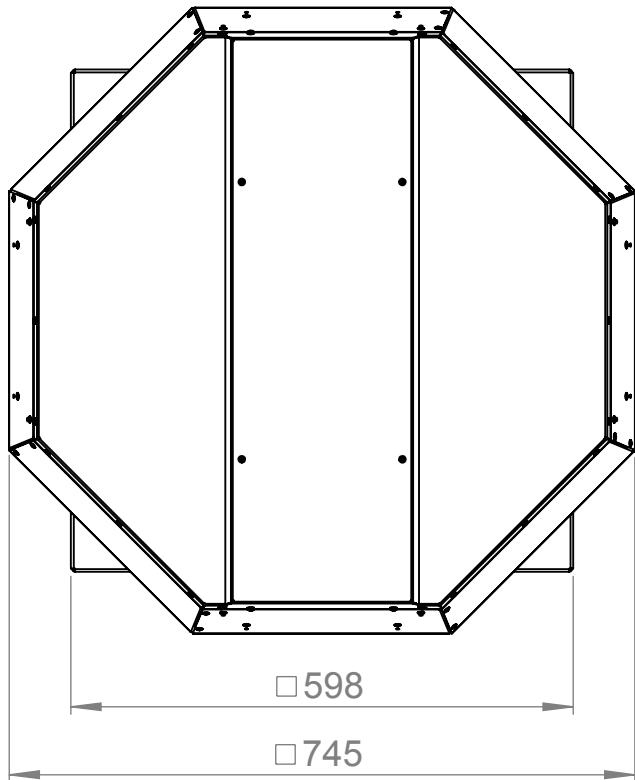
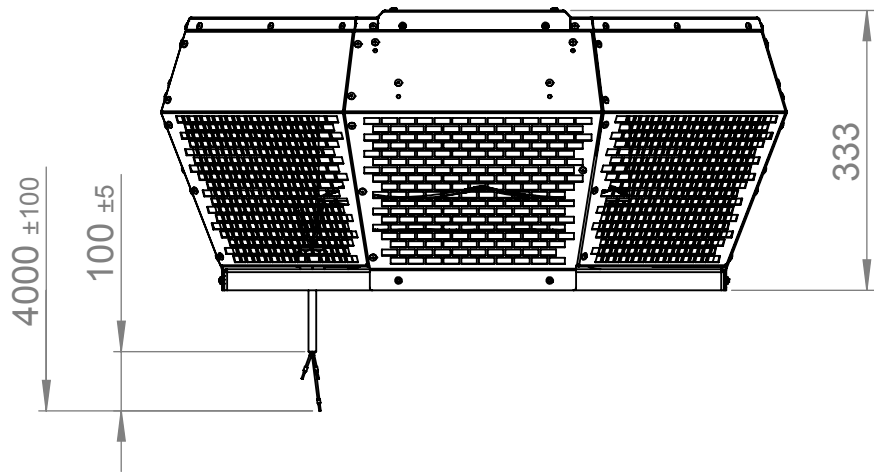
- Backward curved centrifugal fan
- Housing made of aluminium AlMg3
- Speed controllable
- Integrated thermostatic switch
- Maintenance-free ball bearings

— ErP compliant range

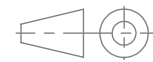
Operating Point		1	2	3	4	5
Current I	A	0,7	0,9	1,1	1,0	0,9
Power consumption P _l	W	135	199	253	225	197
Rotation speed n	1/min	1453	1398	1340	1375	1403
SWL inlet L _{WA5}	dB(A)	69	68	70	74	75
SWL outlet L _{WA6}	dB(A)	74	72	73	78	79
SWL housing break out L _{WA2}	dB(A)	-	-	-	-	-

Sound power (L _W) dB(A)		Medium Frequency Band								
		Σ	63	125	250	500	1k	2k	4k	8k
Inlet	L _{WA5}	70	34	53	54	58	59	68	58	46
Outlet	L _{WA6}	73	35	53	60	64	66	71	61	51
Housing radiation	L _{WA2}	-	-	-	-	-	-	-	-	-

DHA 355 E4 30 131089	
Voltage U _N	230 V 1~
Current I _{max}	1,3 A
Ambient temperature t _A	40 °C
Conveyed medium temperature t _M	40 °C
Speed Control	V
Motor protection	TAI
Insulation class motor	F
Weight	16,5 kg
Number of poles	4
IP motor	IP44
IP terminal box	IP44
IP complete unit	IPX4
Min. operating temperature	-25 °C



ruck^{eu}
VENTILATOREN
ruck Ventilatoren
Max-Planck-Str. 5
D-97944 Boxberg



Protection Mark
according to ISO 16016

Created I.benk
Drawn I.benk
Released v.brand
Disabled

1:9 A4 mm

General tolerances
DIN ISO 2768-c

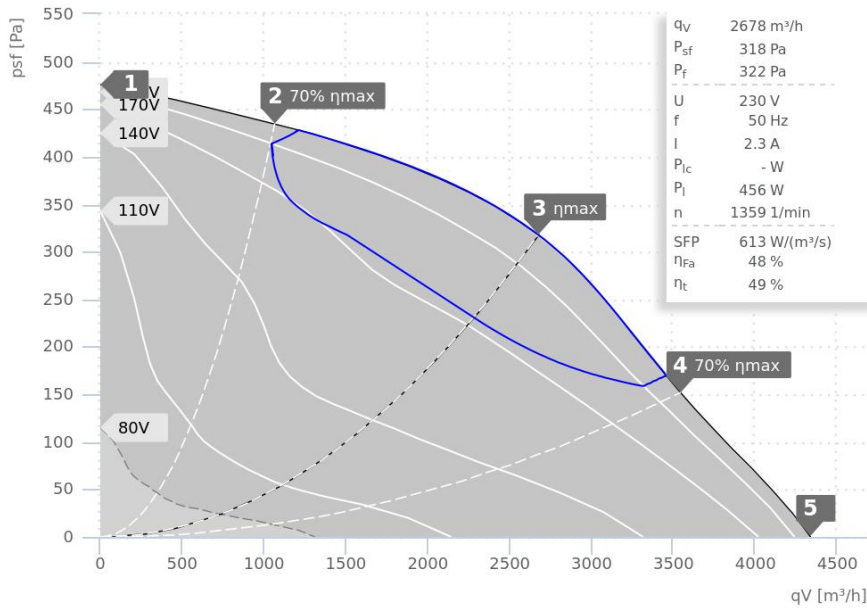
DHA355E430+

131089 00

VENTAS
VENTILATORER

DATA SHEET

DHA 400 E4 30 | 131092



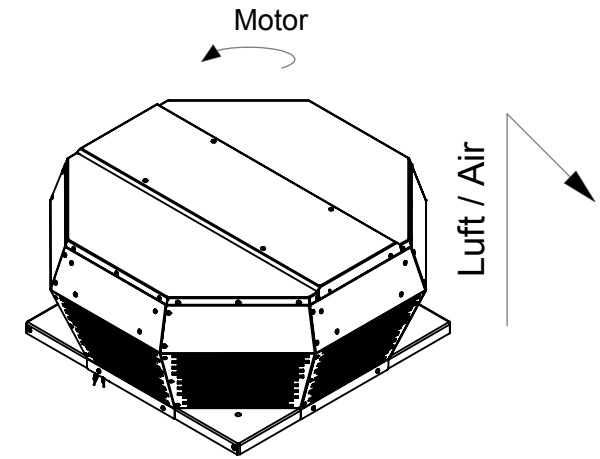
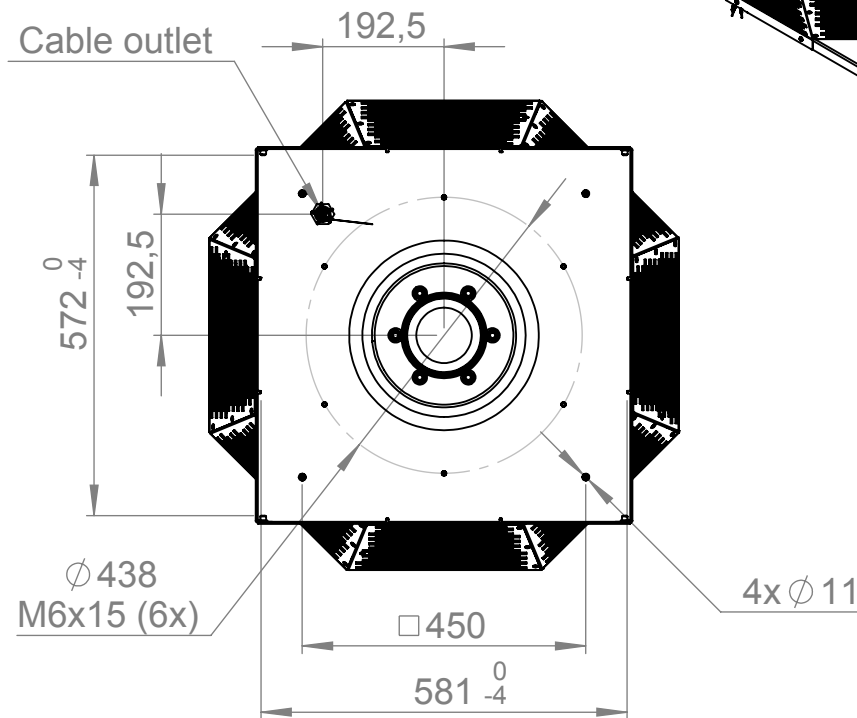
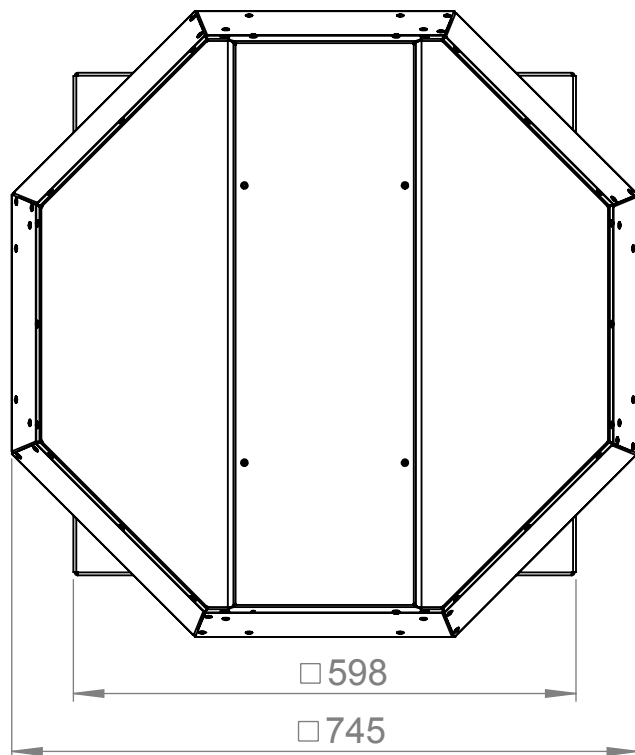
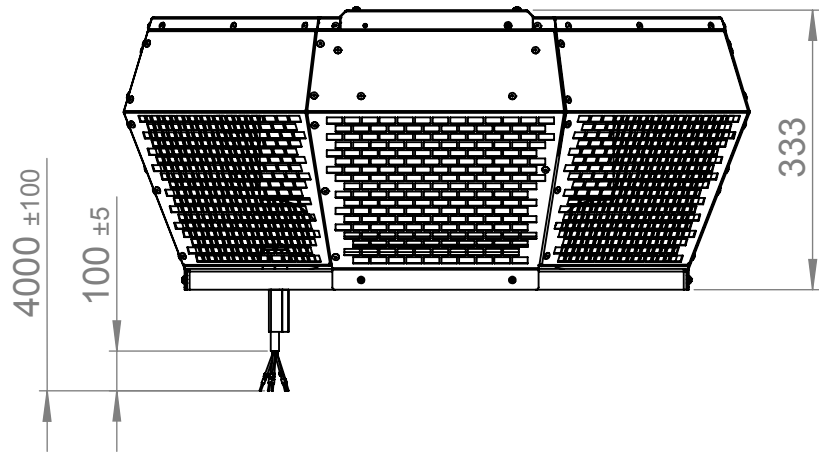
- Backward curved centrifugal fan
- Housing made of aluminium AlMg3
- Speed controllable
- Integrated thermostatic switch
- Maintenance-free ball bearings

— ErP compliant range

Operating Point		1	2	3	4	5
Current I	A	1,5	1,9	2,3	2,1	1,9
Power consumption P _i	W	235	363	456	409	366
Rotation speed n	1/min	1451	1399	1359	1382	1402
SWL inlet L _{WA5}	dB(A)	72	68	70	74	77
SWL outlet L _{WA6}	dB(A)	78	74	75	78	81
SWL housing break out L _{WA2}	dB(A)	-	-	-	-	-

Sound power (L _W) dB(A)		Medium Frequency Band								
		Σ	63	125	250	500	1k	2k	4k	8k
Inlet	L _{WA5}	70	41	59	59	63	61	66	62	50
Outlet	L _{WA6}	75	41	62	64	68	68	69	67	53
Housing radiation	L _{WA2}	-	-	-	-	-	-	-	-	-

DHA 400 E4 30 131092	
Voltage U _N	230 V 1~
Current I _{max}	2,7 A
Ambient temperature t _A	65 °C
Conveyed medium temperature t _M	65 °C
Speed Control	V
Motor protection	TAE
Insulation class motor	F
Weight	19,5 kg
Number of poles	4
IP motor	IP54
IP terminal box	IP44
IP complete unit	IPX4
Min. operating temperature	-25 °C



ruck^{eu}
VENTILATOREN
ruck Ventilatoren
Max-Planck-Str. 5
D-97944 Boxberg



Protection Mark
according to ISO 16016

Created I.benk
Drawn I.benk
Released v.brand
Disabled

1:9 A4 mm

General tolerances
DIN ISO 2768-c

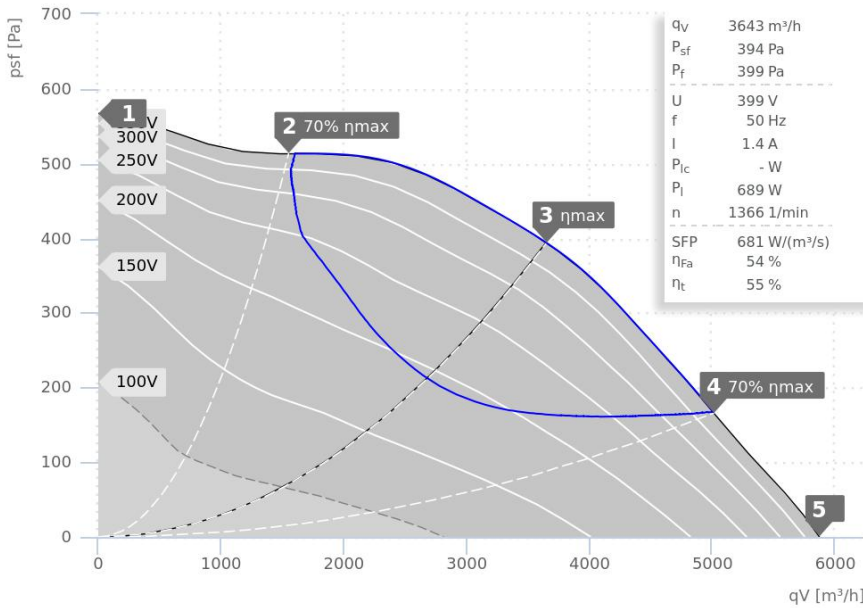
DHA400E430+

131092 00

VENTAS
VENTILATORER

DATA SHEET

DHA 450 D4 30 | 131095



Currently not available

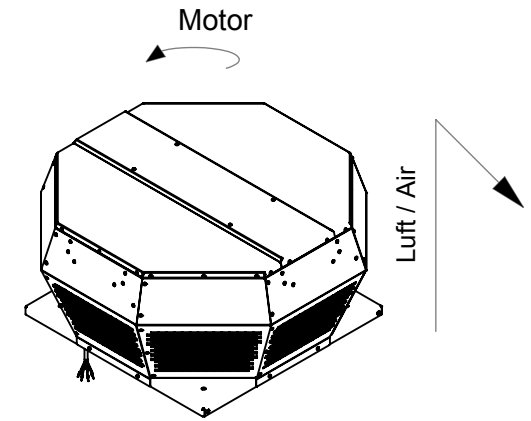
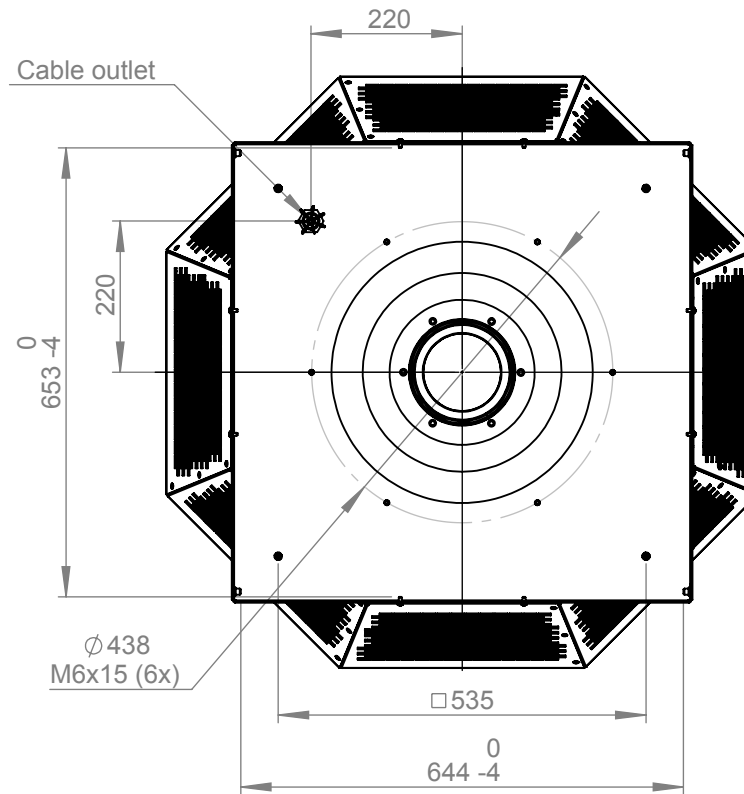
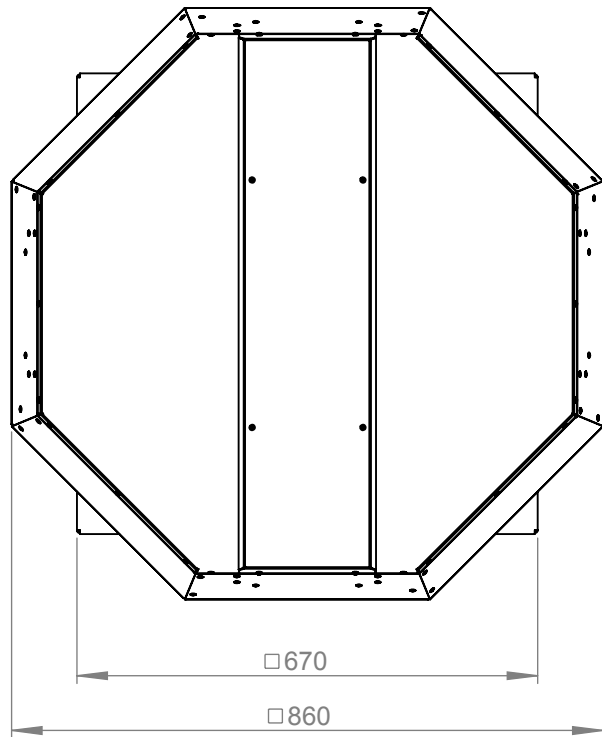
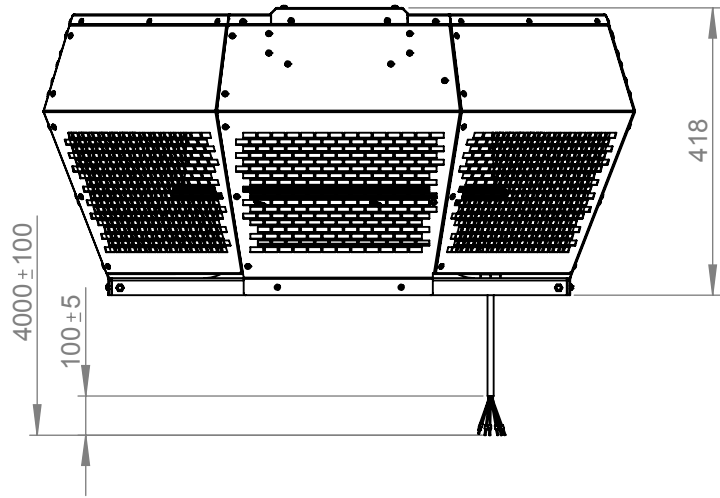
- Backward curved centrifugal fan
- Housing made of aluminium AlMg3
- Speed controllable
- Integrated thermostatic switch
- Maintenance-free ball bearings

— ErP compliant range

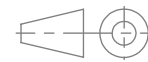
Operating Point		1	2	3	4	5
Current I	A	1,0	1,3	1,4	1,3	1,2
Power consumption P _i	W	312	563	690	562	497
Rotation speed n	1/min	1447	1392	1366	1395	1410
SWL inlet L _{WA5}	dB(A)	77	77	73	78	79
SWL outlet L _{WA6}	dB(A)	82	82	78	83	84
SWL housing break out L _{WA2}	dB(A)	-	-	-	-	-

Sound power (L _W) dB(A)		Medium Frequency Band								
		Σ	63	125	250	500	1k	2k	4k	8k
Inlet	L _{WA5}	73	42	59	62	68	66	66	61	55
Outlet	L _{WA6}	78	44	63	68	71	74	71	65	58
Housing radiation	L _{WA2}	-	-	-	-	-	-	-	-	-

DHA 450 D4 30 131095	
Voltage U _N	400 V 3~
Current I _{max}	1,5 A
Ambient temperature t _A	60 °C
Conveyed medium temperature t _M	60 °C
Speed Control	V
Motor protection	TAO
Insulation class motor	F
Weight	29,7 kg
Number of poles	4
IP motor	IP54
IP terminal box	IP44
IP complete unit	IPX4
Min. operating temperature	-30 °C



ruck^{eu}
VENTILATOREN
ruck Ventilatoren
Max-Planck-Str. 5
D-97944 Boxberg



Protection Mark
according to ISO 16016

Created m.szabo
Drawn m.szabo
Released v.brand
Disabled

1:11 A4 mm

General tolerances
DIN ISO 2768-c

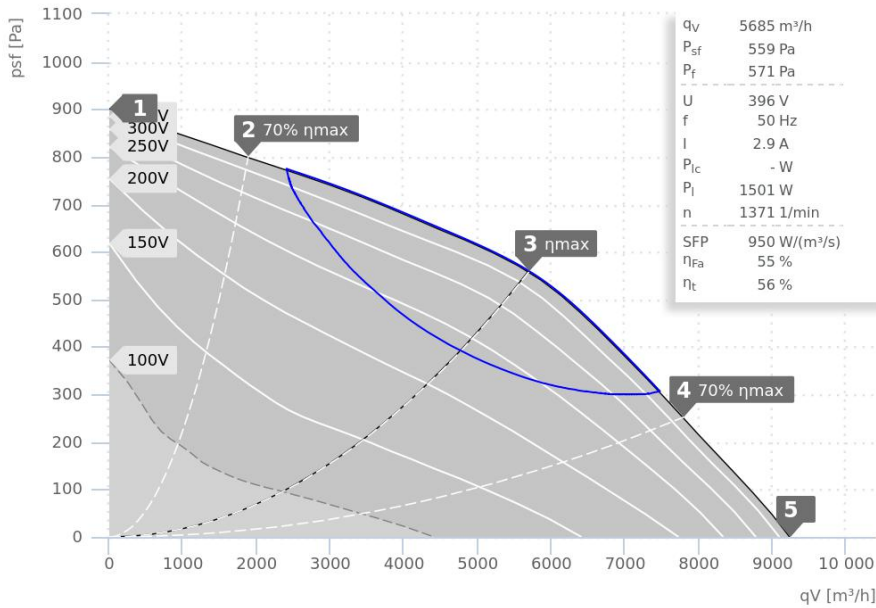
DHA450D430+

131095 00

VENTAS
VENTILATORER

DATA SHEET

DHA 500 D4 30 | 131101



SALE OUT

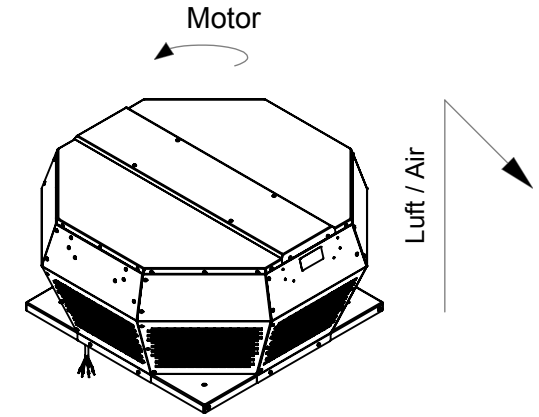
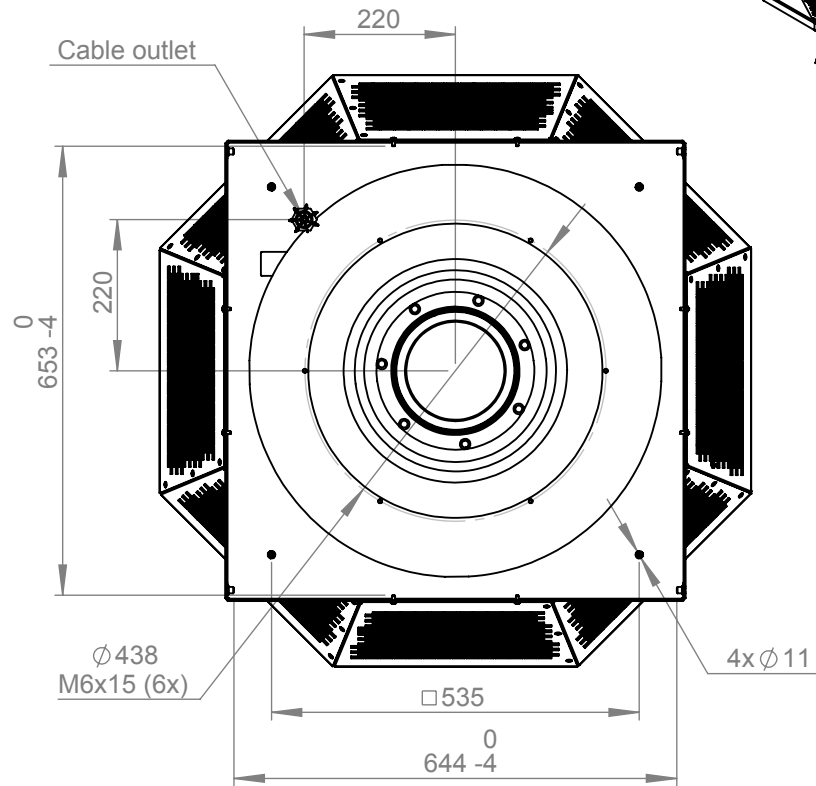
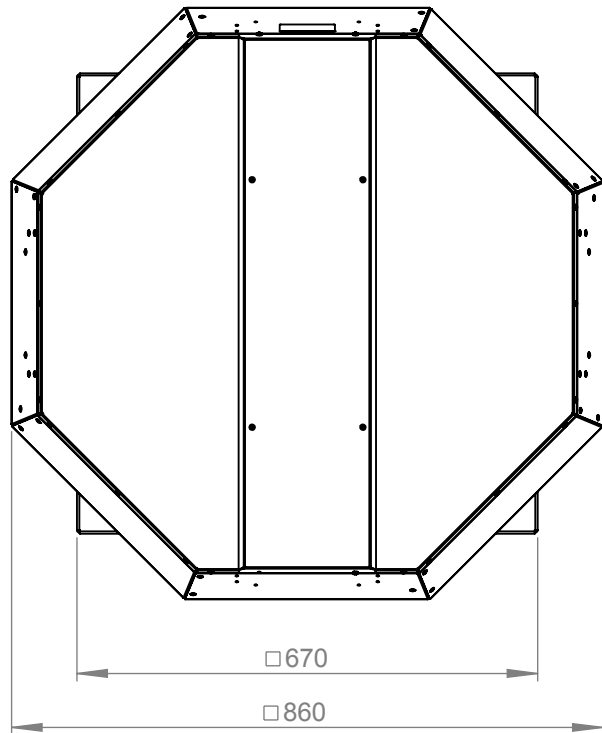
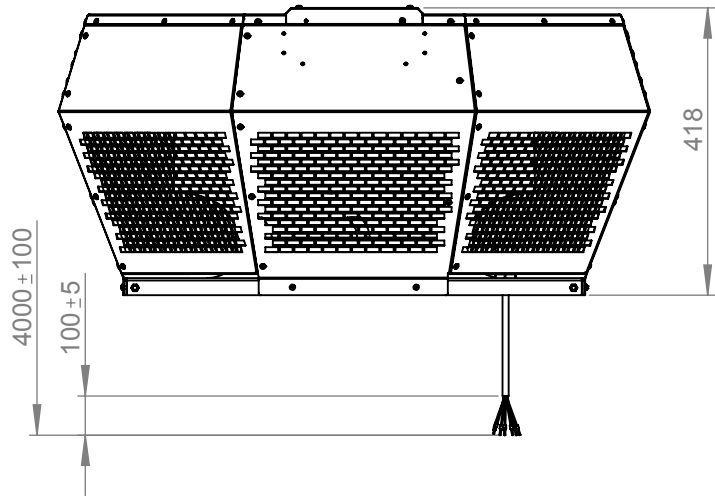
- Backward curved centrifugal fan
- Housing made of aluminium AlMg3
- Speed controllable
- Integrated thermostatic switch
- Maintenance-free ball bearings

— ErP compliant range

Operating Point		1	2	3	4	5
Current I	A	1,8	2,3	2,9	2,6	2,3
Power consumption P _l	W	611	1037	1505	1310	1061
Rotation speed n	1/min	1453	1414	1375	1394	1417
SWL inlet L _{WA5}	dB(A)	79	77	76	80	83
SWL outlet L _{WA6}	dB(A)	84	83	83	86	88
SWL housing break out L _{WA2}	dB(A)	-	-	-	-	-

Sound power (L _W) dB(A)		Medium Frequency Band								
		Σ	63	125	250	500	1k	2k	4k	8k
Inlet	L _{WA5}	76	44	67	70	69	70	67	65	61
Outlet	L _{WA6}	82	48	72	75	78	76	73	68	64
Housing radiation	L _{WA2}	-	-	-	-	-	-	-	-	-

DHA 500 D4 30 131101	
Voltage U _N	400 V 3~
Current I _{max}	3,5 A
Ambient temperature t _A	55 °C
Conveyed medium temperature t _M	55 °C
Speed Control	V
Motor protection	TAE
Insulation class motor	F
Weight	42,0 kg
Number of poles	4
IP motor	IP54
IP terminal box	IP44
IP complete unit	IPX4
Min. operating temperature	-30 °C



ruck^{eu}
VENTILATOREN
ruck Ventilatoren
Max-Planck-Str. 5
D-97944 Boxberg



Protection Mark
according to ISO 16016

Created I.benk
Drawn I.benk
Released v.brand
Disabled

1:11 A4 mm

General tolerances
DIN ISO 2768-c

18.11.2014
18.11.2014
07.01.2020

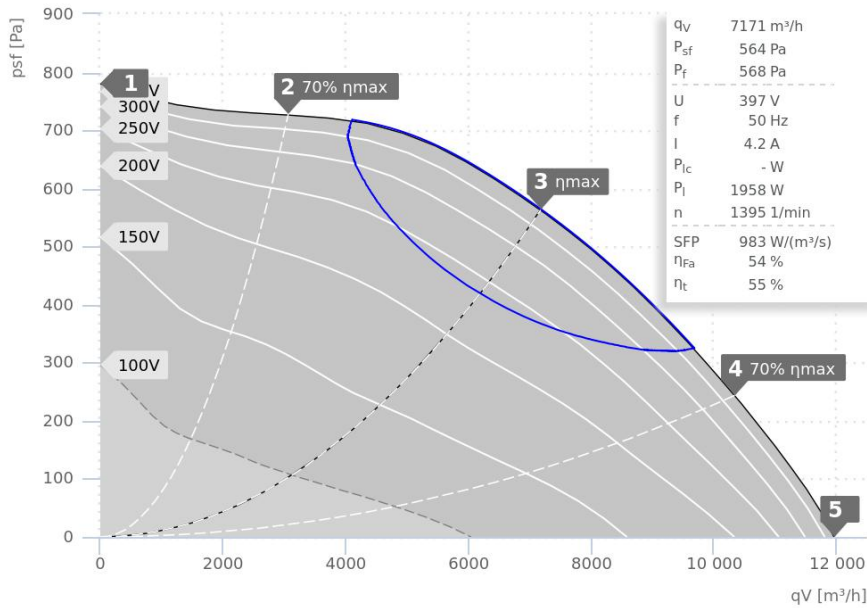
DHA500D430+

131101 00

VENTAS
VENTILATORER

DATA SHEET

DHA 560 D4 30 | 131104



SALE OUT

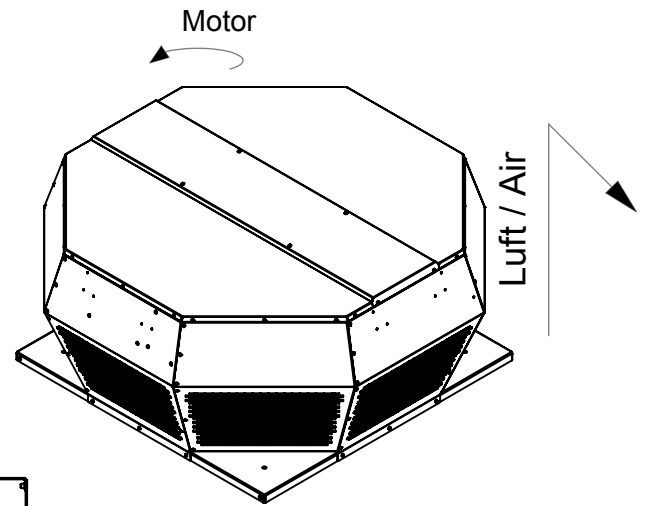
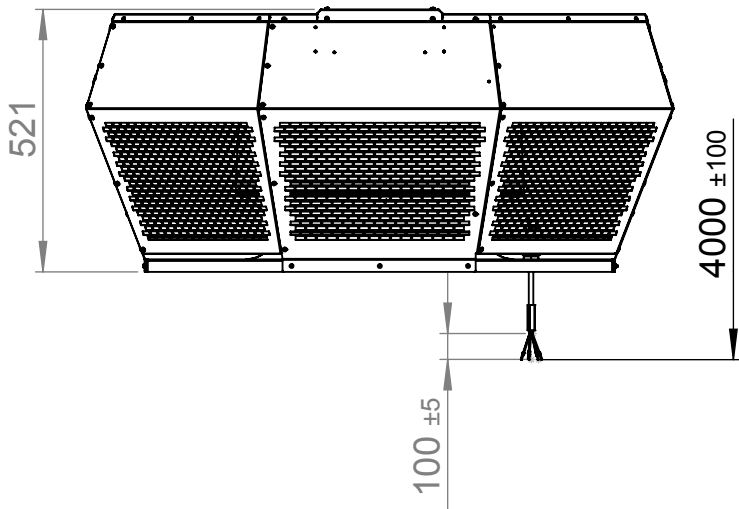
- Backward curved centrifugal fan
- Housing made of aluminium AlMg3
- Speed controllable
- Integrated thermostatic switch
- Maintenance-free ball bearings

— ErP compliant range

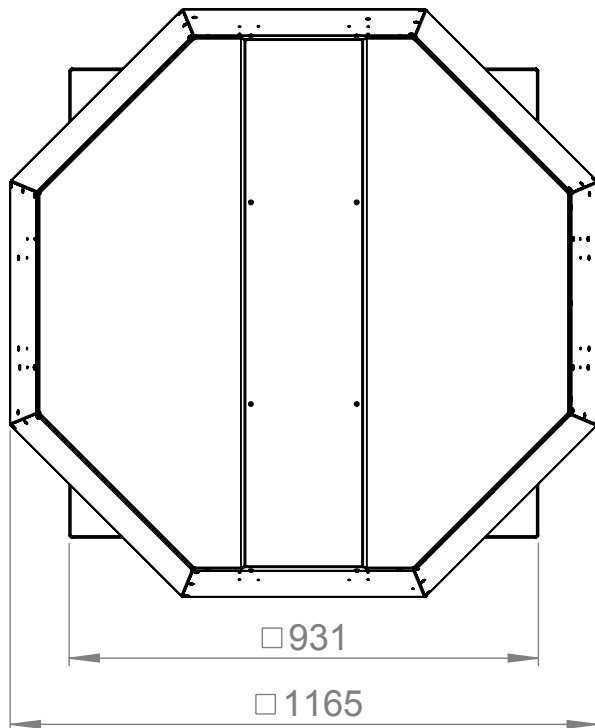
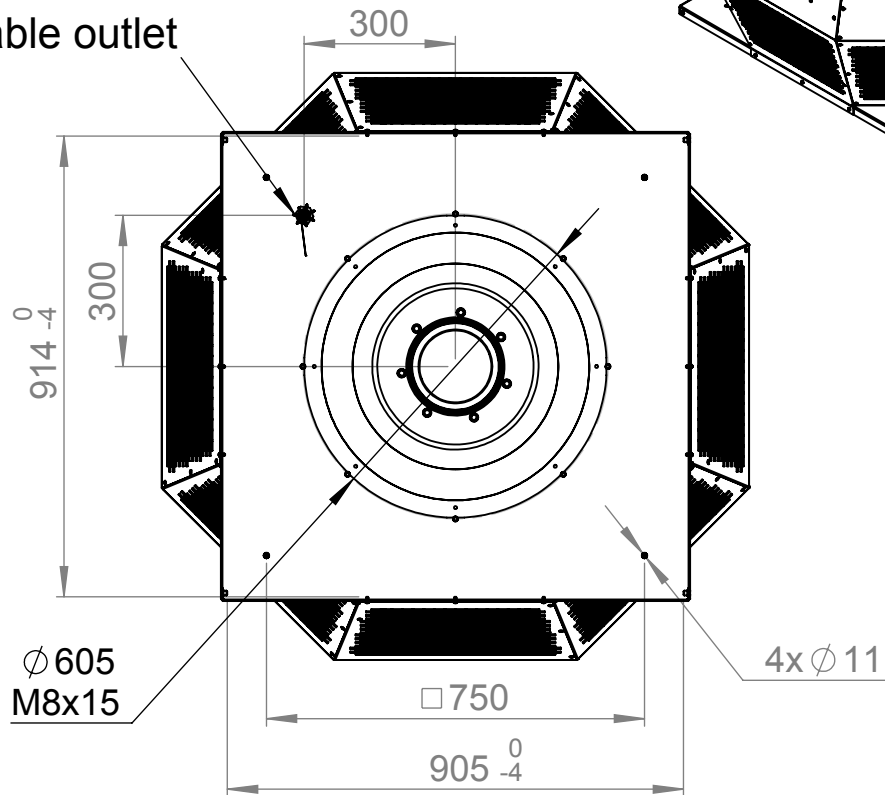
Operating Point		1	2	3	4	5
Current I	A	2,7	3,7	4,2	3,9	3,6
Power consumption P _i	W	934	1564	1965	1723	1447
Rotation speed n	1/min	1440	1417	1398	1414	1428
SWL inlet L _{WA5}	dB(A)	85	81	81	81	84
SWL outlet L _{WA6}	dB(A)	88	87	86	89	91
SWL housing break out L _{WA2}	dB(A)	-	-	-	-	-

Sound power (L _W) dB(A)		Medium Frequency Band								
		Σ	63	125	250	500	1k	2k	4k	8k
Inlet	L _{WA5}	81	59	71	74	75	75	74	71	65
Outlet	L _{WA6}	86	53	77	79	79	81	77	70	65
Housing radiation	L _{WA2}	-	-	-	-	-	-	-	-	-

DHA 560 D4 30 131104	
Voltage U _N	400 V 3~
Current I _{max}	4,8 A
Ambient temperature t _A	60 °C
Conveyed medium temperature t _M	60 °C
Speed Control	V
Motor protection	TAE
Insulation class motor	F
Weight	51,0 kg
Number of poles	4
IP motor	IP54
IP terminal box	IP44
IP complete unit	IPX4
Min. operating temperature	-30 °C

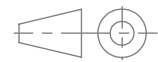


cable outlet



Ø 605
M8x15

ruck^{eu}
VENTILATOREN
ruck Ventilatoren
Max-Planck-Str. 5
D-97944 Boxberg



Protection Mark
according to ISO 16016

Created I.benk
Drawn I.benk
Released v.brand
Disabled

1:15 A4 mm

General tolerances
DIN ISO 2768-c

26.11.2014
26.11.2014
15.07.2019

DHA560D430+

131104 00

VENTAS
VENTILATORER