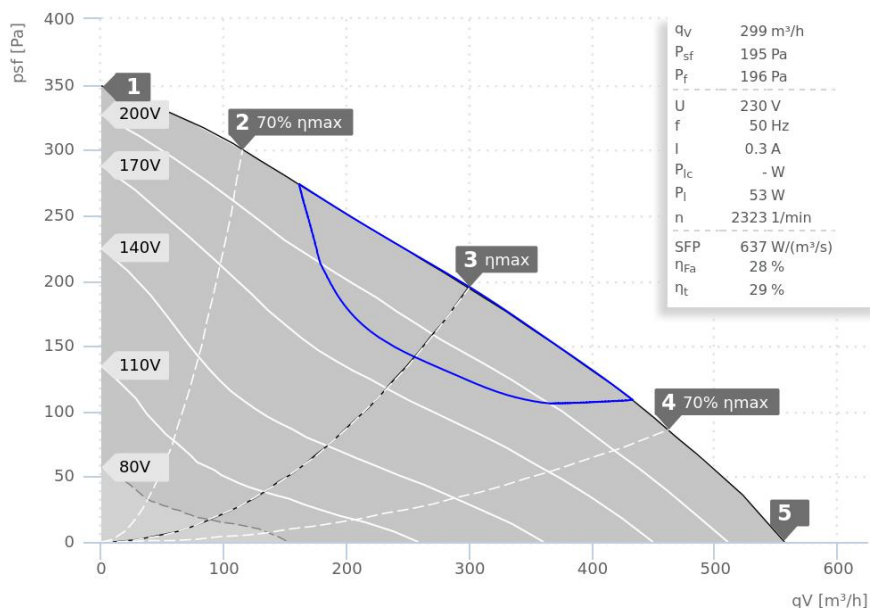


DATA SHEET

DHA 190 E2 50 | 134988



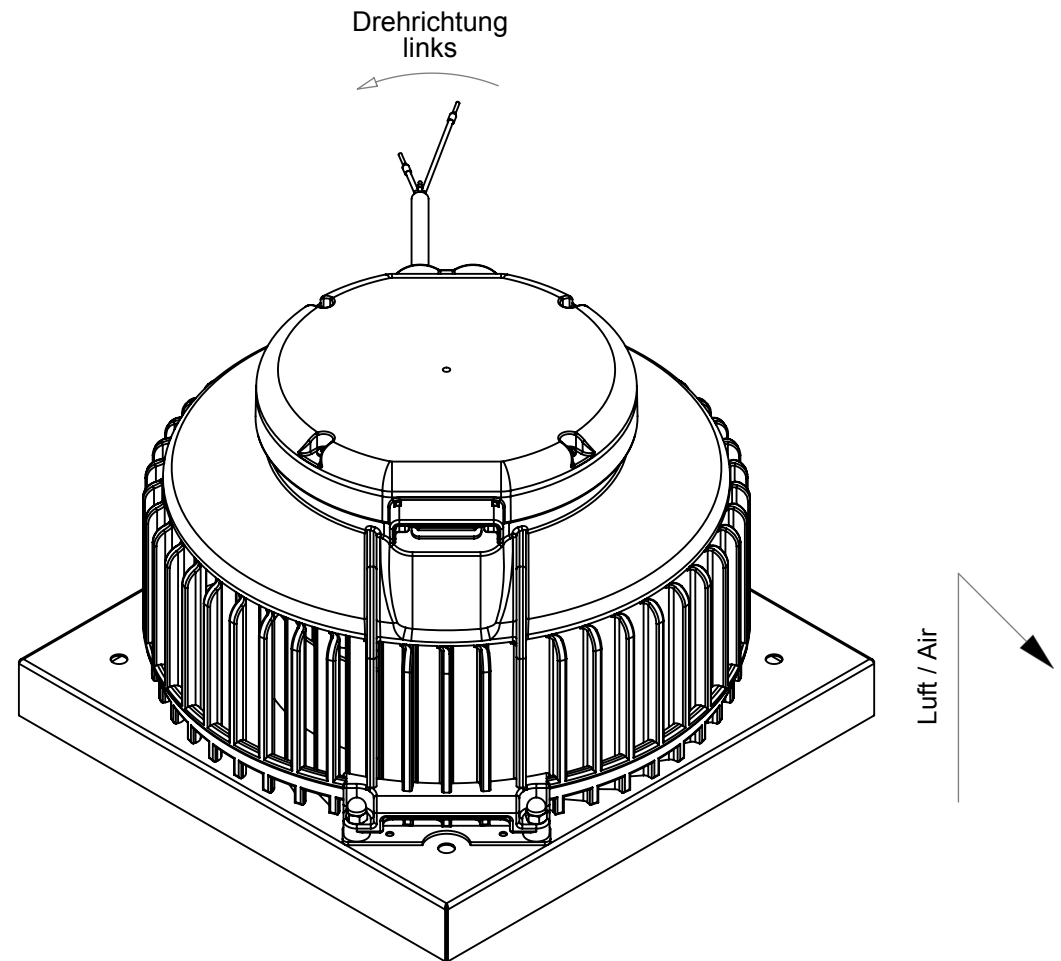
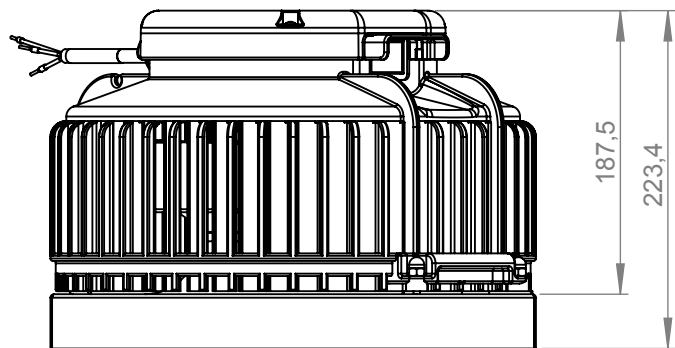
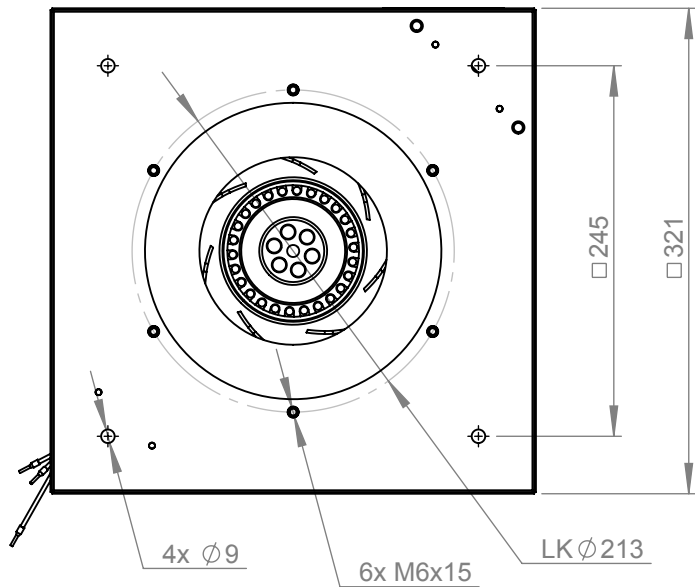
- Backward curved centrifugal fan
- Weather resistant plastic ASA, RAL 7012
- Swing-out fan unit
- Speed controllable
- Integrated thermostatic switch
- Maintenance-free ball bearings

— ErP compliant range

Operating Point		1	2	3	4	5
Current I	A	0,3	0,3	0,3	0,3	0,3
Power consumption P_i	W	39	46	53	51	47
Rotation speed n	1/min	2655	2498	2324	2376	2463
SWL inlet L_{WA5}	dB(A)	70	68	65	67	69
SWL outlet L_{WA6}	dB(A)	73	72	68	70	72
SWL housing break out L_{WA2}	dB(A)	-	-	-	-	-

Sound power (L_W) dB(A)		Medium Frequency Band								
		Σ	63	125	250	500	1k	2k	4k	8k
Inlet	L_{WA5}	65	30	44	54	57	60	60	57	50
Outlet	L_{WA6}	68	33	46	56	60	62	64	60	52
Housing radiation	L_{WA2}	-	-	-	-	-	-	-	-	-

DHA 190 E2 50 134988	
Voltage U_N	230 V 1~
Current I_{max}	0,3 A
Ambient temperature t_A	70 °C
Conveyed medium temperature t_M	70 °C
Speed Control	V
Motor protection	TMI
Insulation class motor	F
Weight	4,7 kg
Number of poles	2
IP motor	IP33
IP terminal box	IP44
IP complete unit	IPX4
Min. operating temperature	-25 °C



ruck Ventilatoren
Max-Planck-Str. 5
D-97944 Boxberg



1:5 A4 mm

Protection Mark
according to ISO16016

General tolerances
DIN ISO 2768-c

DHA190E250+

Drawn: h.ragowski
Created: v.brand
Changed: h.ragowski

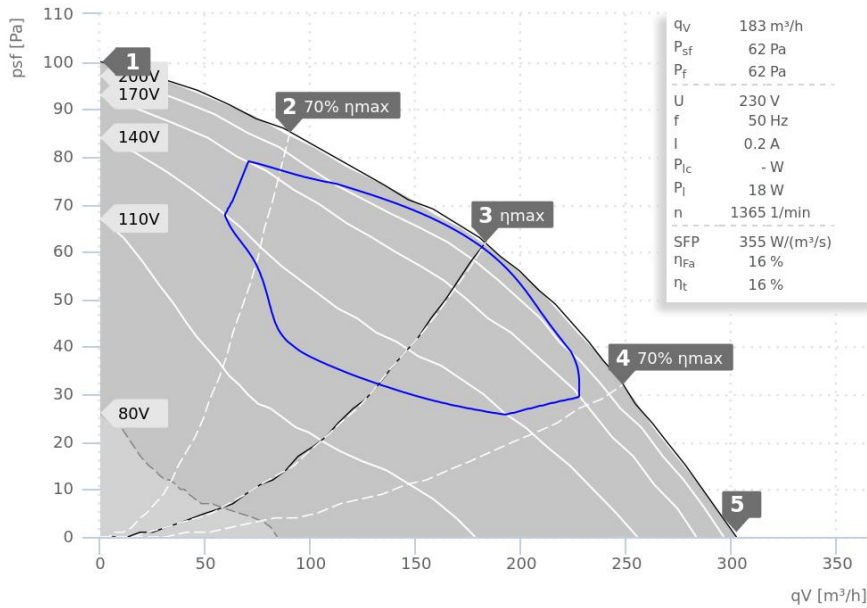
21.04.17
27.10.15
21.04.17

134988 01



DATA SHEET

DHA 190 E4 01 | 128515



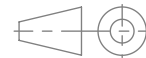
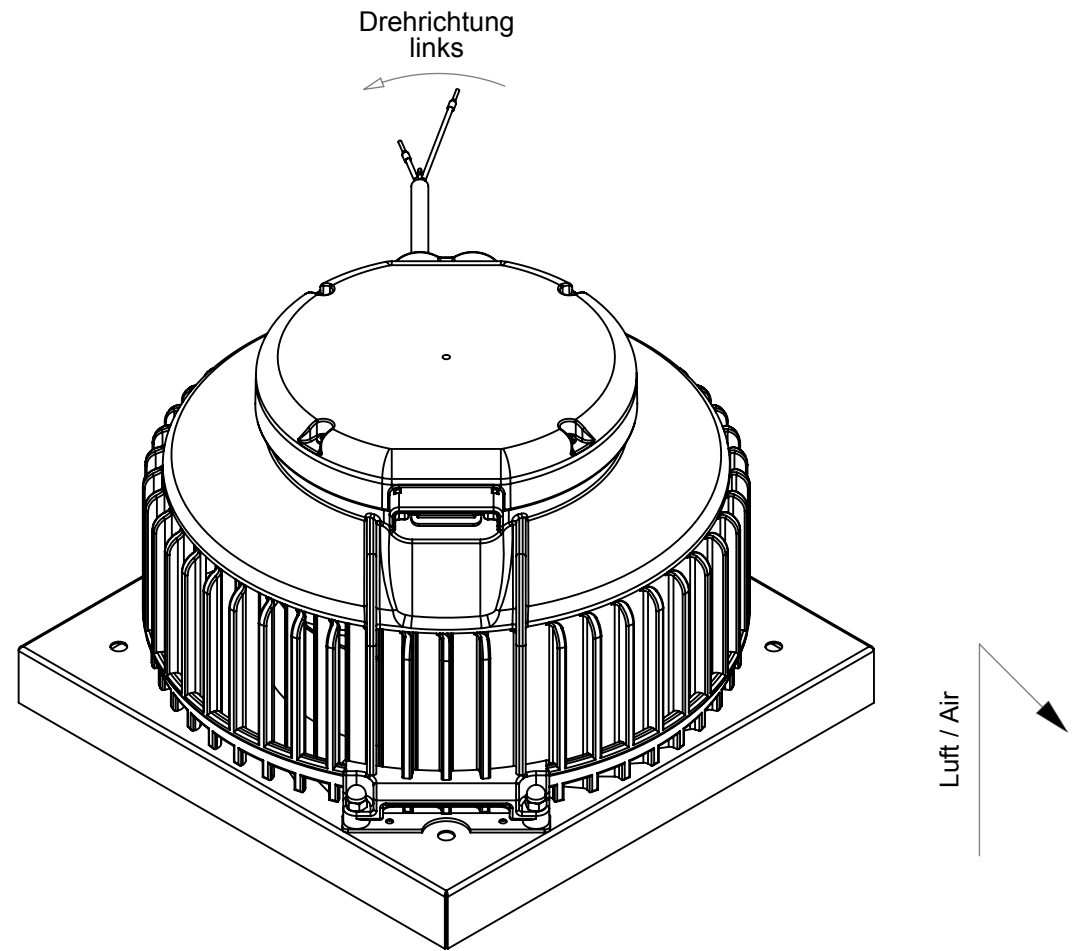
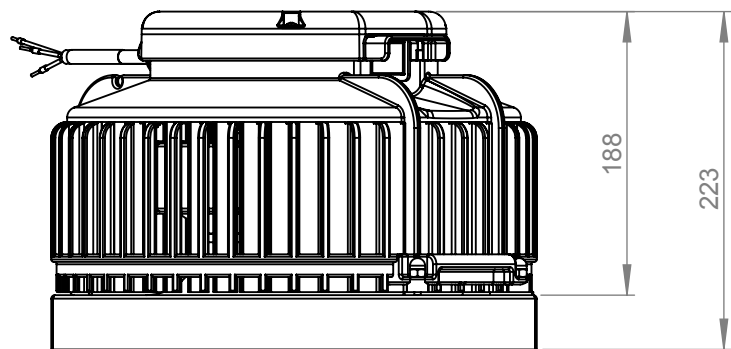
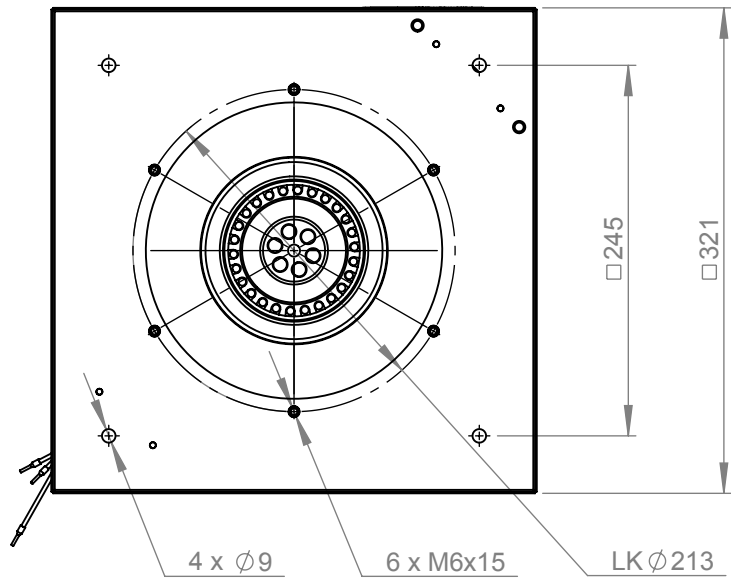
- Backward curved centrifugal fan
- Weather resistant plastic ASA, RAL 7012
- Swing-out fan unit
- Speed controllable
- Integrated thermostatic switch
- Maintenance-free ball bearings

— ErP compliant range

Operating Point		1	2	3	4	5
Current I	A	0,2	0,2	0,2	0,2	0,2
Power consumption P _i	W	16	17	18	18	17
Rotation speed n	1/min	1424	1388	1365	1376	1390
SWL inlet L _{WA5}	dB(A)	56	54	52	53	55
SWL outlet L _{WA6}	dB(A)	59	57	56	57	59
SWL housing break out L _{WA2}	dB(A)	-	-	-	-	-

Sound power (L _W) dB(A)		Medium Frequency Band								
		Σ	63	125	250	500	1k	2k	4k	8k
Inlet	L _{WA5}	52	19	36	41	46	47	47	42	31
Outlet	L _{WA6}	56	24	36	41	47	51	52	45	34
Housing radiation	L _{WA2}	-	-	-	-	-	-	-	-	-

DHA 190 E4 01 128515	
Voltage U _N	230 V 1~
Current I _{max}	0,2 A
Ambient temperature t _A	80 °C
Conveyed medium temperature t _M	80 °C
Speed Control	V
Motor protection	TAI
Insulation class motor	F
Weight	4,5 kg
Number of poles	4
IP motor	IP33
IP terminal box	-
IP complete unit	IPX4
Min. operating temperature	-25 °C



1:5 A4 mm

ruck^{EU}
VENTILATOREN

ruck Ventilatoren
Max-Planck-Str. 5
D-97944 Boxberg

Protection Mark
according to ISO16016

Drawn: h.ragowski
Created: h.sachsenheimer
Changed: h.ragowski

General tolerances
DIN ISO 2768-c

20.04.17
11.09.13
20.04.17

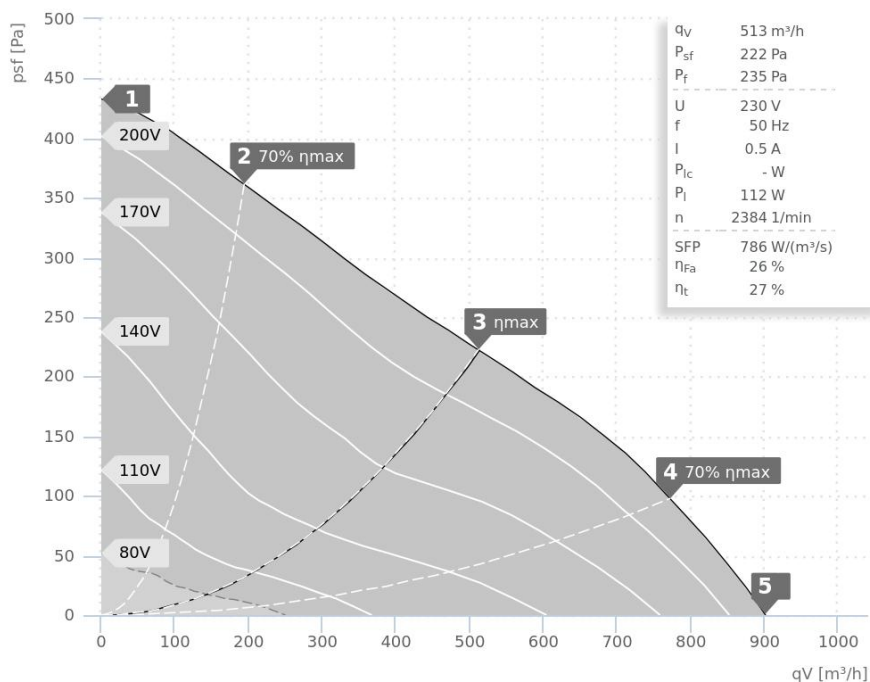
DHA190E401+

128515 02

VENTAS
VENTILATORER

DATA SHEET

DHA 220 E2 01 | 123012

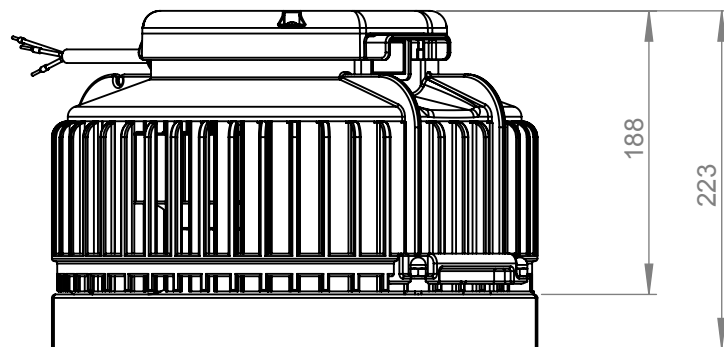
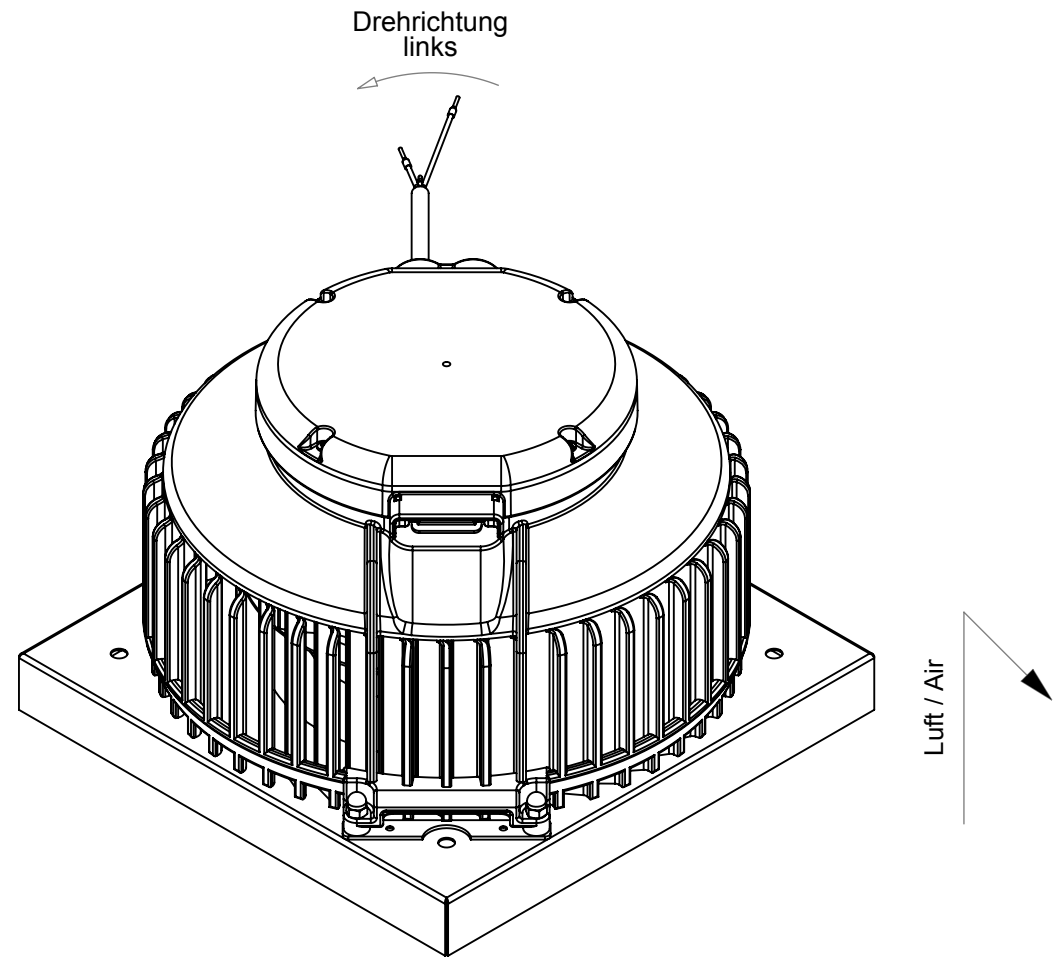
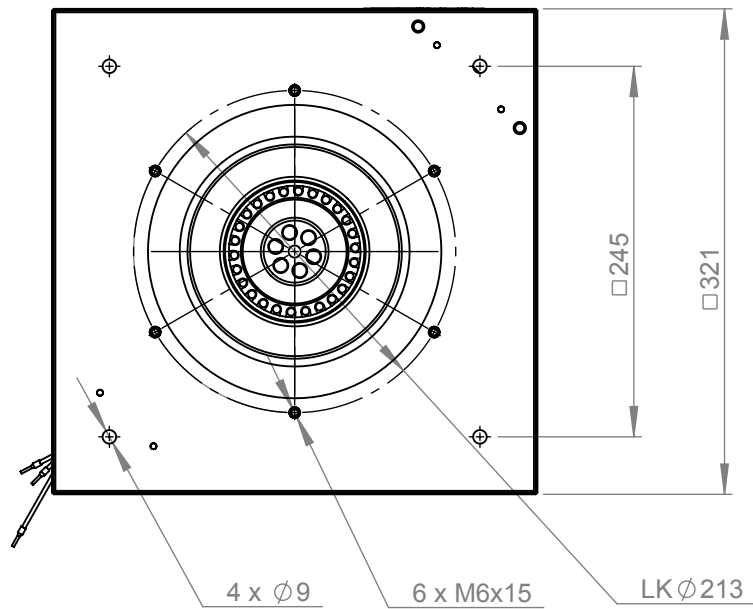


- Backward curved centrifugal fan
- Weather resistant plastic ASA, RAL 7012
- Swing-out fan unit
- Speed controllable
- Integrated thermostatic switch
- Maintenance-free ball bearings

Operating Point		1	2	3	4	5
Current I	A	0,4	0,4	0,5	0,5	0,4
Power consumption P _i	W	90	100	112	104	96
Rotation speed n	1/min	2630	2524	2385	2485	2575
SWL inlet L _{WA5}	dB(A)	73	72	71	70	71
SWL outlet L _{WA6}	dB(A)	79	78	77	76	77
SWL housing break out L _{WA2}	dB(A)	-	-	-	-	-

Sound power (L _W) dB(A)		Medium Frequency Band								
		Σ	63	125	250	500	1k	2k	4k	8k
Inlet	L _{WA5}	71	33	47	59	62	67	66	61	52
Outlet	L _{WA6}	77	66	48	60	67	73	73	64	55
Housing radiation	L _{WA2}	-	-	-	-	-	-	-	-	-

DHA 220 E2 01 123012	
Voltage U _N	230 V 1~
Current I _{max}	0,5 A
Ambient temperature t _A	45 °C
Conveyed medium temperature t _M	45 °C
Speed Control	V
Motor protection	TAI
Insulation class motor	F
Weight	5,0 kg
Number of poles	2
IP motor	IP33
IP terminal box	IP44
IP complete unit	IPX4
Min. operating temperature	-25 °C



ruck Ventilatoren
Max-Planck-Str. 5
D-97944 Boxberg



Protection Mark
according to ISO16016

Drawn: h.ragowski
Created: h.ragowski
Changed: h.ragowski

1:5 A4 mm

General tolerances
DIN ISO 2768-c

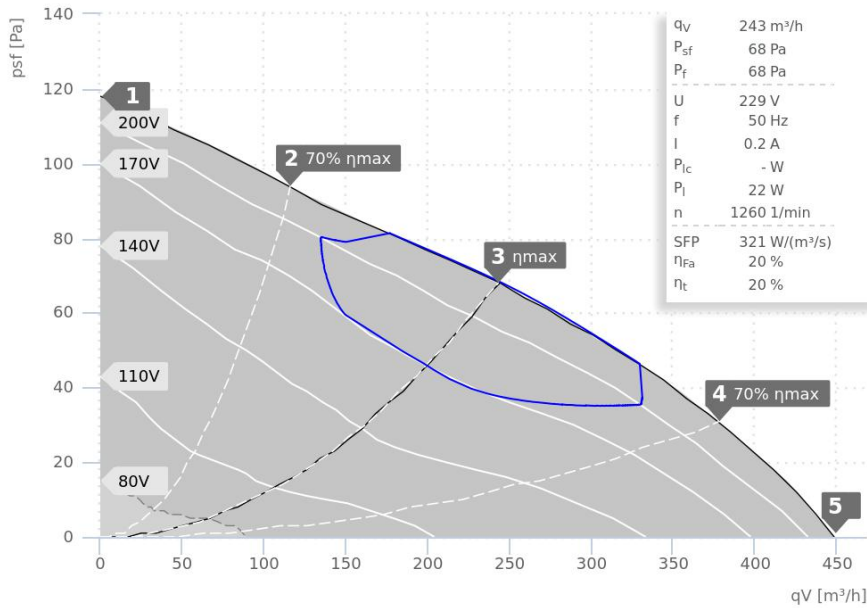
DHA220E201+

123012 04



DATA SHEET

DHA 220 E4 01 | 128521



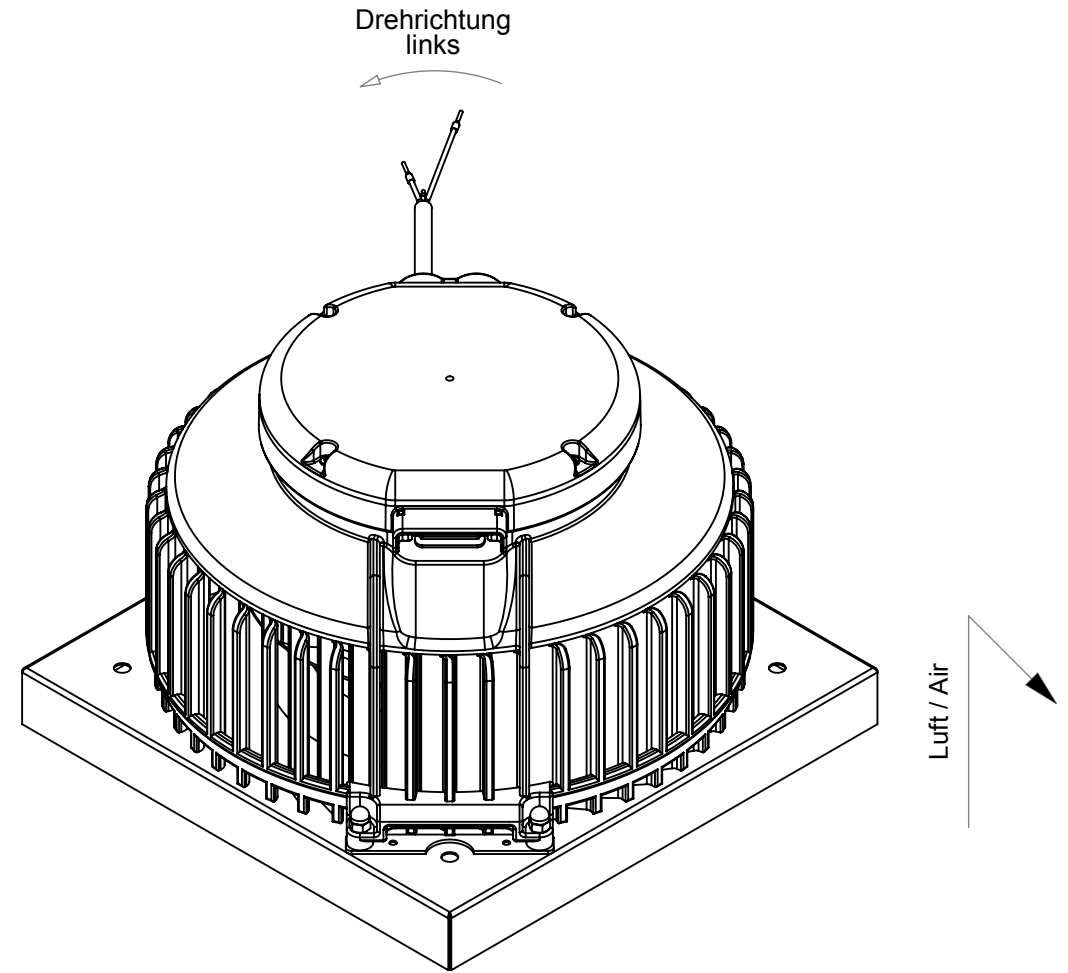
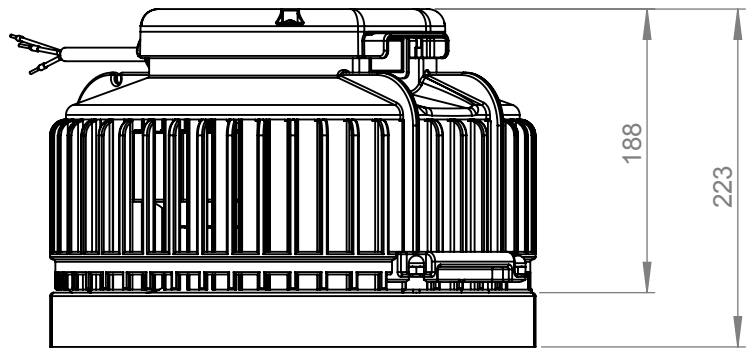
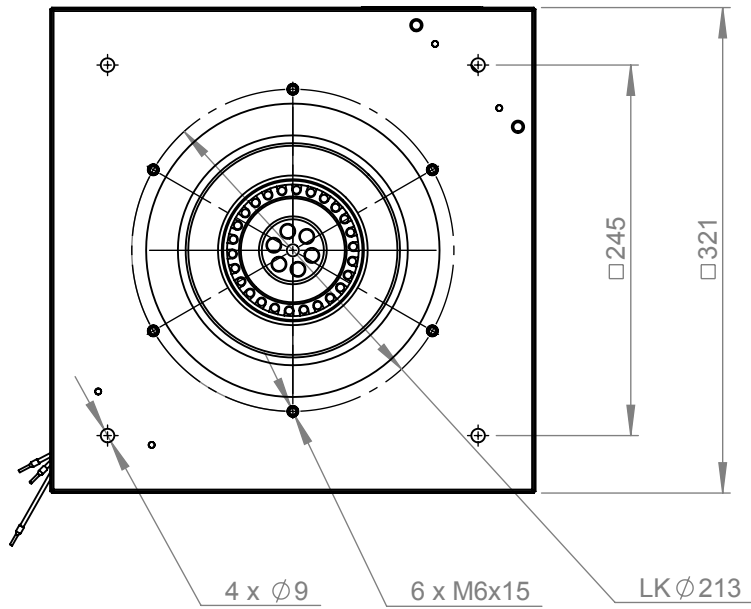
- Backward curved centrifugal fan
- Weather resistant plastic ASA, RAL 7012
- Swing-out fan unit
- Speed controllable
- Integrated thermostatic switch
- Maintenance-free ball bearings

— ErP compliant range

Operating Point		1	2	3	4	5
Current I	A	0,2	0,2	0,2	0,2	0,2
Power consumption P _i	W	19	21	22	21	20
Rotation speed n	1/min	1360	1306	1260	1296	1327
SWL inlet L _{WA5}	dB(A)	59	59	56	54	56
SWL outlet L _{WA6}	dB(A)	63	62	60	59	61
SWL housing break out L _{WA2}	dB(A)	-	-	-	-	-


Sound power (L _w) dB(A)		Medium Frequency Band								
		Σ	63	125	250	500	1k	2k	4k	8k
Inlet	L _{WA5}	56	26	41	45	51	51	47	40	29
Outlet	L _{WA6}	60	25	42	46	53	57	54	43	32
Housing radiation	L _{WA2}	-	-	-	-	-	-	-	-	-

DHA 220 E4 01 128521	
Voltage U _N	230 V 1~
Current I _{max}	0,2 A
Ambient temperature t _A	80 °C
Conveyed medium temperature t _M	80 °C
Speed Control	V
Motor protection	TAI
Insulation class motor	F
Weight	5,0 kg
Number of poles	4
IP motor	IP33
IP terminal box	-
IP complete unit	IPX4
Min. operating temperature	-25 °C



ruck^{EU}
VENTILATOREN

ruck Ventilatoren
Max-Planck-Str. 5
D-97944 Boxberg

 1:5 A4 mm

Protection Mark according to ISO16016
General tolerances according to DIN ISO 2768-c

Drawn: h.ragowski 19.04.17
Created: h.sachsenheimer 11.09.13
Changed: h.ragowski 19.04.17

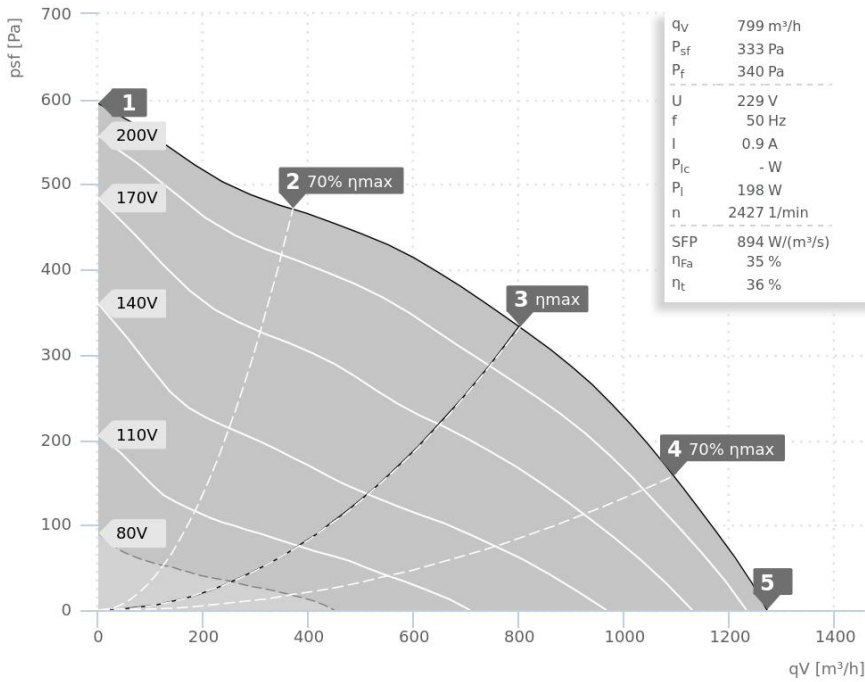
DHA220E401+

128521 02

VENTAS
VENTILATORER

DATA SHEET

DHA 250 E2 02 | 132784



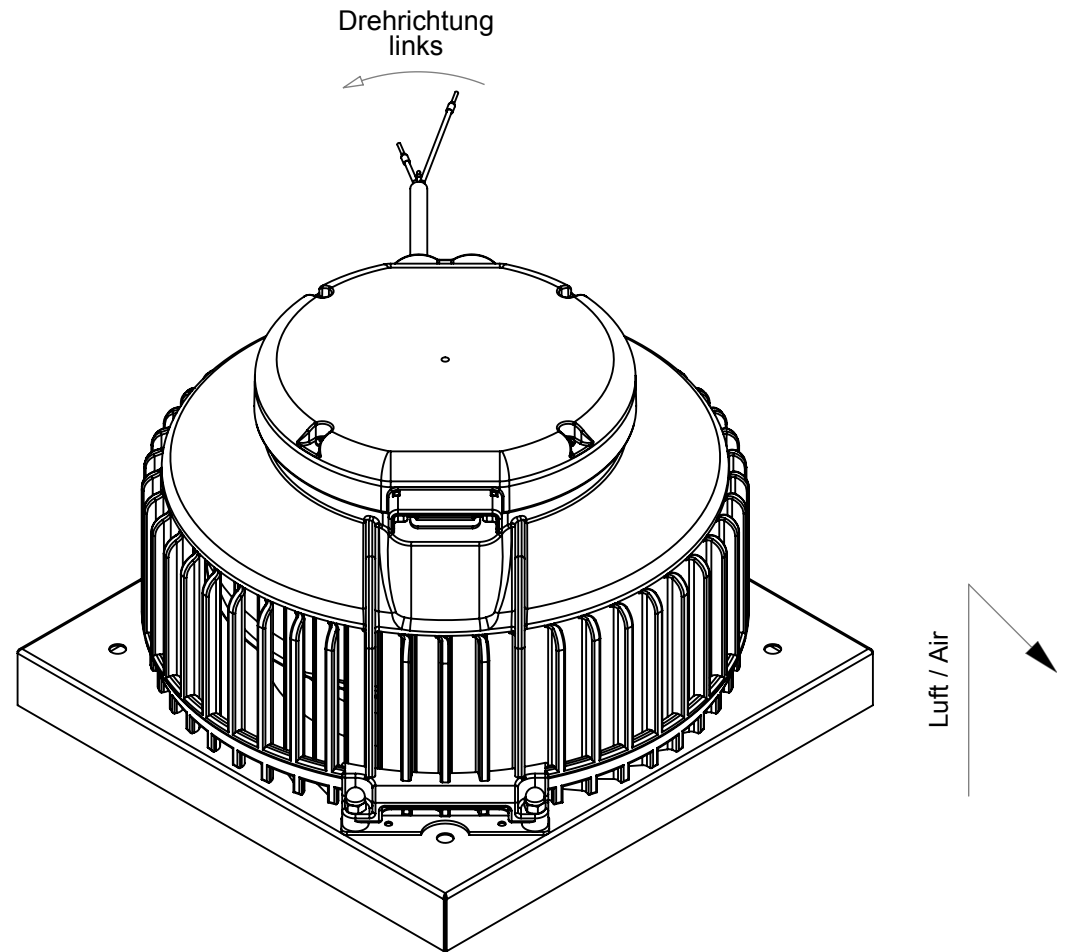
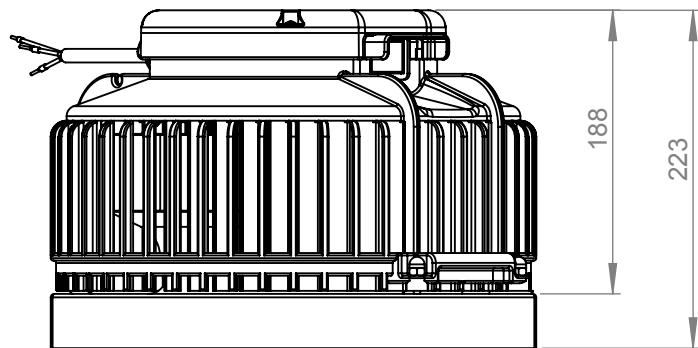
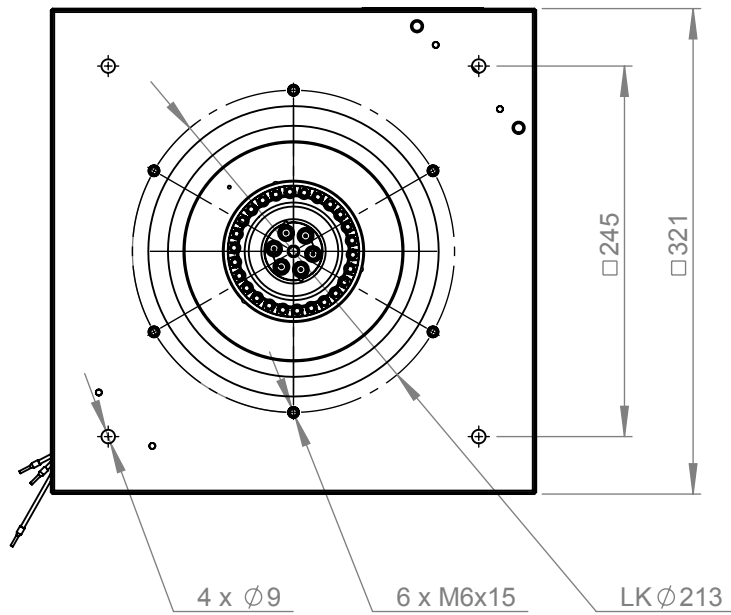
nur außerhalb der EU verfügbar
only available outside the EU

- Backward curved centrifugal fan
- Weather resistant plastic ASA, RAL 7012
- Swing-out fan unit
- Speed controllable
- Integrated thermostatic switch
- Maintenance-free ball bearings

Operating Point		1	2	3	4	5
Current I	A	0,7	0,8	0,9	0,8	0,8
Power consumption P _i	W	159	188	199	181	161
Rotation speed n	1/min	2621	2472	2430	2525	2617
SWL inlet L _{WA5}	dB(A)	80	77	75	78	79
SWL outlet L _{WA6}	dB(A)	86	82	79	82	84
SWL housing break out L _{WA2}	dB(A)	-	-	-	-	-

Sound power (L _W) dB(A)		Medium Frequency Band								
		Σ	63	125	250	500	1k	2k	4k	8k
Inlet	L _{WA5}	75	33	48	59	68	68	67	69	65
Outlet	L _{WA6}	79	35	48	64	71	74	74	72	68
Housing radiation	L _{WA2}	-	-	-	-	-	-	-	-	-

DHA 250 E2 02 132784	
Voltage U _N	230 V 1~
Current I _{max}	1,0 A
Ambient temperature t _A	50 °C
Conveyed medium temperature t _M	50 °C
Speed Control	V
Motor protection	TAI
Insulation class motor	F
Weight	6,0 kg
Number of poles	2
IP motor	IP33
IP terminal box	IP44
IP complete unit	IPX4
Min. operating temperature	-25 °C



1:5 A4 mm

ruck^{EU}
VENTILATOREN

ruck Ventilatoren
Max-Planck-Str. 5
D-97944 Boxberg

Protection Mark
according to ISO16016

Drawn: h.ragowski
Created: m.deissler
Changed: h.ragowski

General tolerances
DIN ISO 2768-c

19.04.17
27.04.15
19.04.17

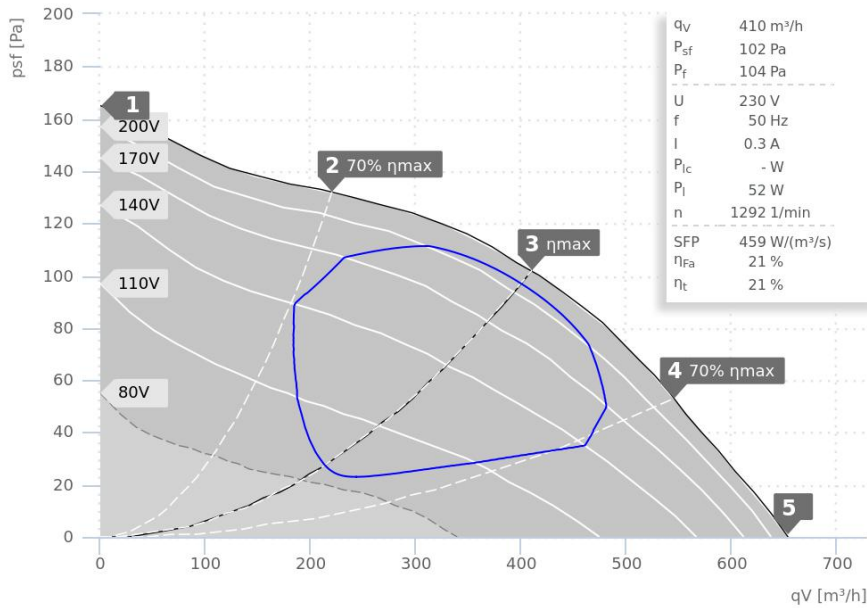
DHA250E202

132784 01

VENTAS
VENTILATOREN

DATA SHEET

DHA 250 E4 02 | 129982



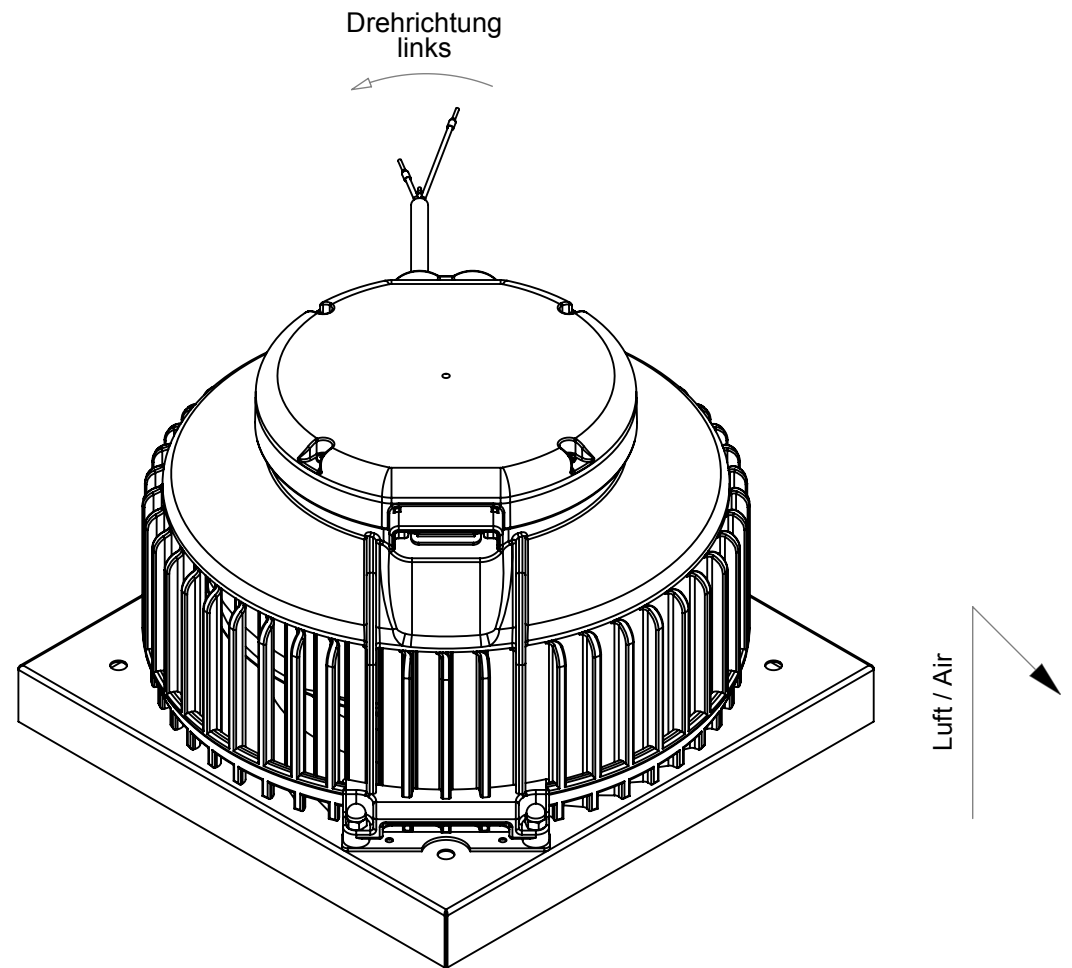
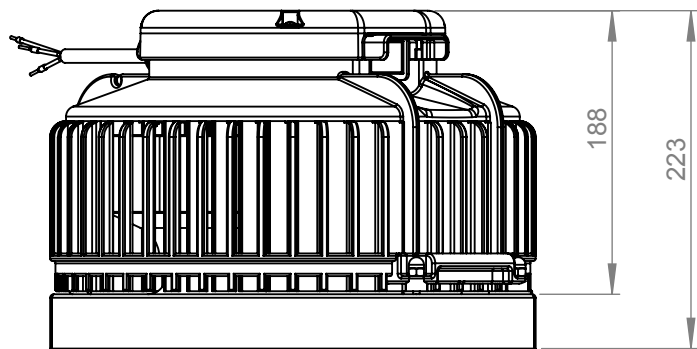
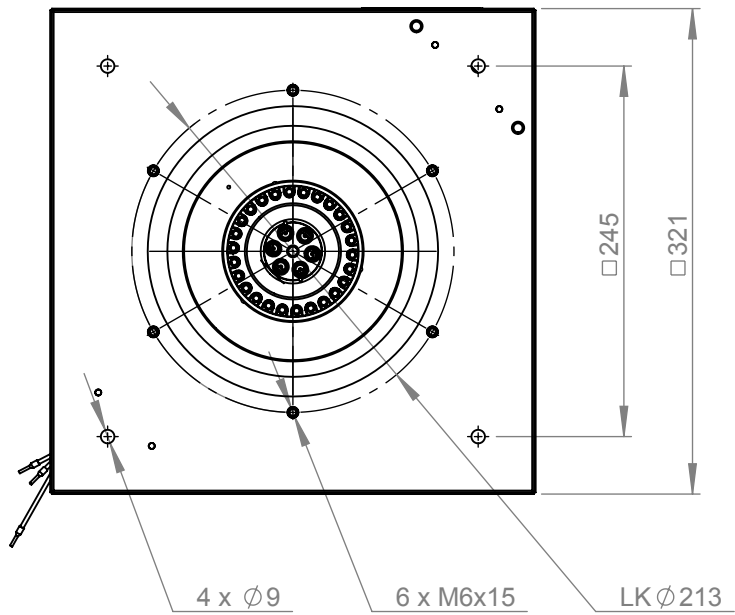
- Backward curved centrifugal fan
- Weather resistant plastic ASA, RAL 7012
- Swing-out fan unit
- Speed controllable
- Integrated thermostatic switch
- Maintenance-free ball bearings

— ErP compliant range

Operating Point		1	2	3	4	5
Current I	A	0,3	0,3	0,3	0,3	0,3
Power consumption P _i	W	49	52	52	51	48
Rotation speed n	1/min	1352	1299	1292	1318	1352
SWL inlet L _{WA5}	dB(A)	64	62	62	62	64
SWL outlet L _{WA6}	dB(A)	68	66	66	66	67
SWL housing break out L _{WA2}	dB(A)	-	-	-	-	-

Sound power (L _W) dB(A)		Medium Frequency Band								
		Σ	63	125	250	500	1k	2k	4k	8k
Inlet	L _{WA5}	62	28	41	50	54	57	57	51	43
Outlet	L _{WA6}	66	25	43	49	56	62	62	54	46
Housing radiation	L _{WA2}	-	-	-	-	-	-	-	-	-

DHA 250 E4 02 129982	
Voltage U _N	230 V 1~
Current I _{max}	0,3 A
Ambient temperature t _A	65 °C
Conveyed medium temperature t _M	65 °C
Speed Control	V
Motor protection	TAI
Insulation class motor	F
Weight	0,0 kg
Number of poles	4
IP motor	IP33
IP terminal box	IP54
IP complete unit	IPX4
Min. operating temperature	-25 °C



1:5 A4 mm

ruck^{EU}
VENTILATOREN

Protection Mark
according to ISO16016

General tolerances
DIN ISO 2768-c

DHA250E402+

ruck Ventilatoren
Max-Planck-Str. 5
D-97944 Boxberg

Drawn: m.deissler
Created: m.deissler
Changed: m.deissler

09.04.14
09.04.14
13.06.14

129982 01

VENTAS
VENTILATORER