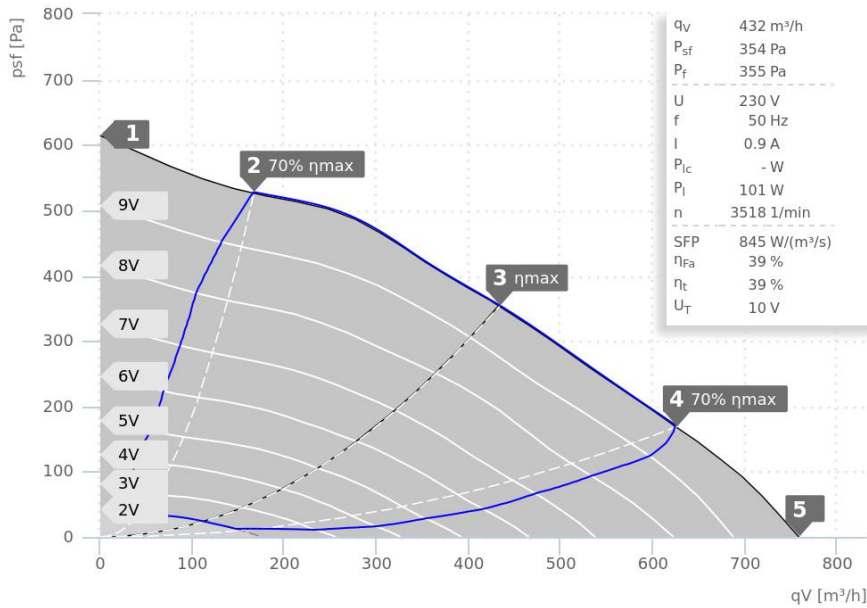


DATA SHEET

DHA 190 EC CP 20 | 129642



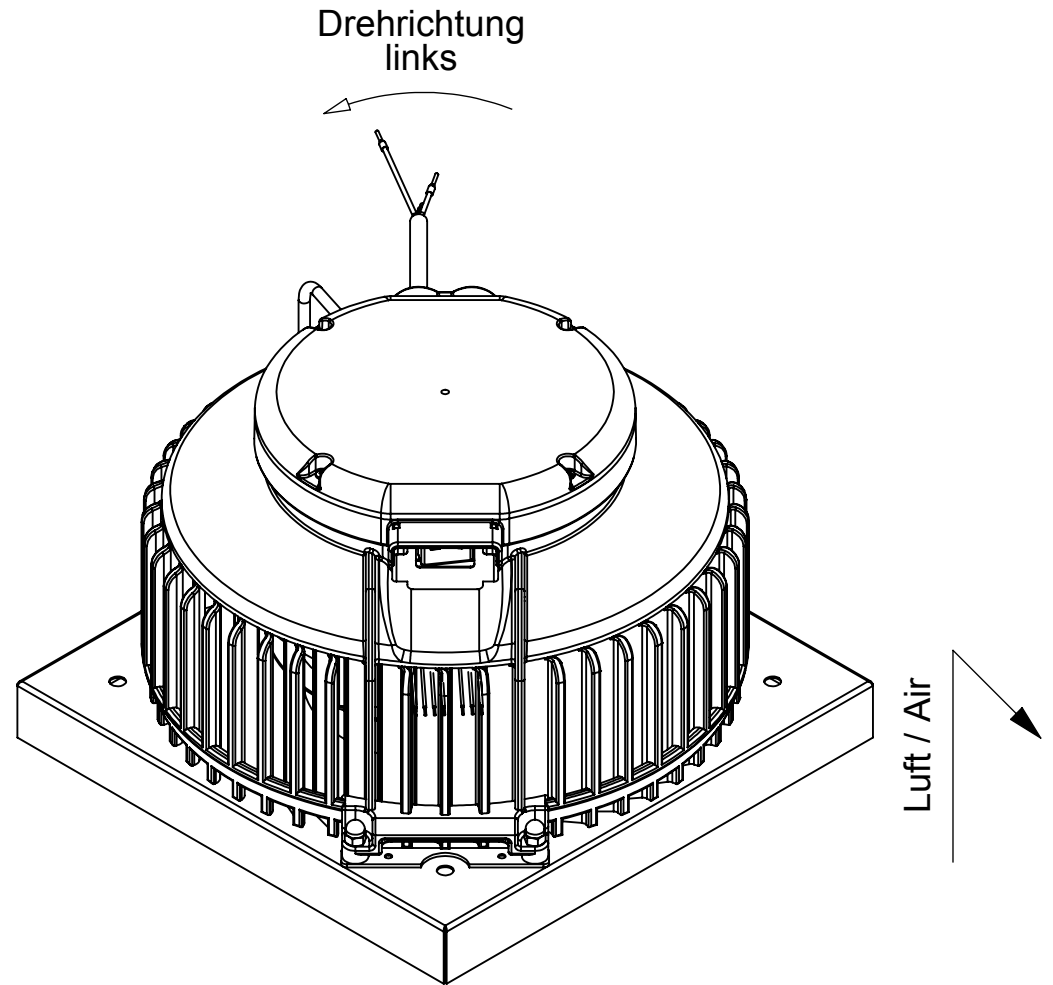
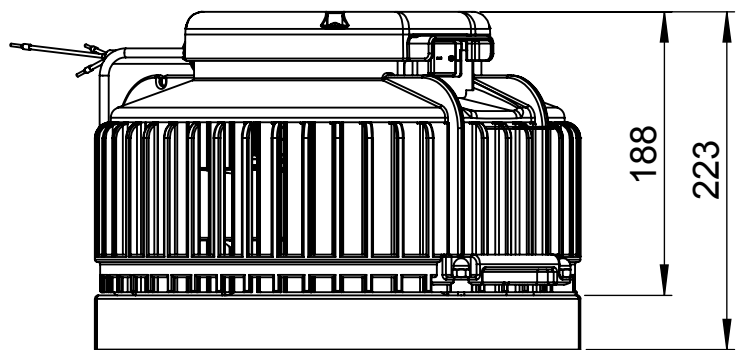
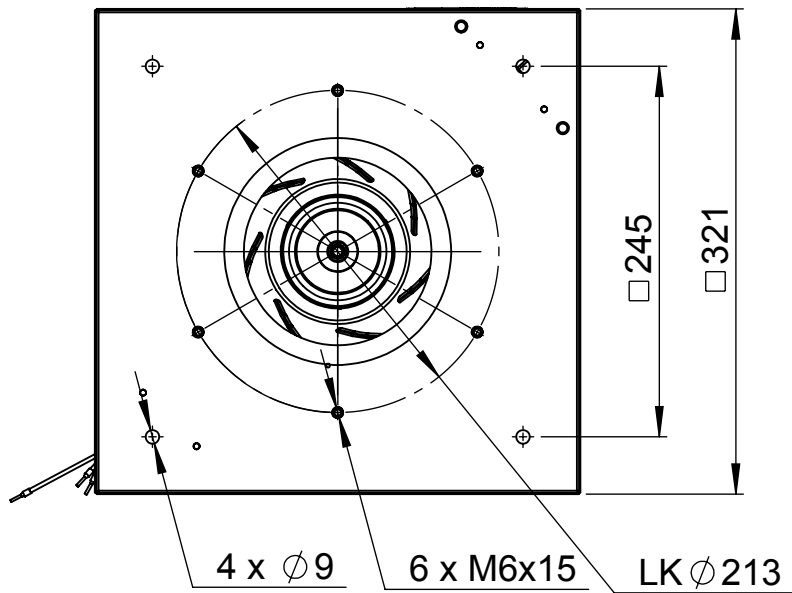
- Backward curved centrifugal fan
- Weather resistant plastic ASA, RAL 7012
- Swing-out fan unit
- EC motor
- Integrated electronic
- With constant pressure control

— ErP compliant range

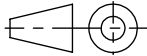
Operating Point		1	2	3	4	5
Current I	A	0,6	0,8	0,9	0,8	0,8
Power consumption P_1	W	61	90	102	100	90
Rotation speed n	1/min	3613	3575	3525	3554	3597
SWL inlet L_{WA5}	dB(A)	78	75	70	76	77
SWL outlet L_{WA6}	dB(A)	82	81	75	80	82
SWL housing break out L_{WA2}	dB(A)	-	-	-	-	-

Sound power (L_W) dB(A)		Medium Frequency Band								
		Σ	63	125	250	500	1k	2k	4k	8k
Inlet	L_{WA5}	70	42	53	59	65	64	64	59	56
Outlet	L_{WA6}	75	44	57	63	68	70	69	66	60
Housing radiation	L_{WA2}	-	-	-	-	-	-	-	-	-

DHA 190 EC CP 20 129642	
Voltage U_N	230 V 1~
Current I_{max}	0,9 A
Ambient temperature t_A	60 °C
Conveyed medium temperature t_M	60 °C
Speed Control	0-10V
Motor protection	TEC
Insulation class motor	F
Weight	5,3 kg
Number of poles	-
IP motor	IP54
IP terminal box	IP44
IP complete unit	IPX4
Min. operating temperature	-30 °C



ruck^{eu}
VENTILATOREN
ruck Ventilatoren
Max-Planck-Str. 5
D-97944 Boxberg

 1:5 A4 mm

Protection Mark according to ISO16016 General tolerances according to DIN ISO 2768-c

Created h.ragowski 12.04.2017
Drawn h.ragowski 12.04.2017
Released h.ragowski 14.05.2018
Disabled

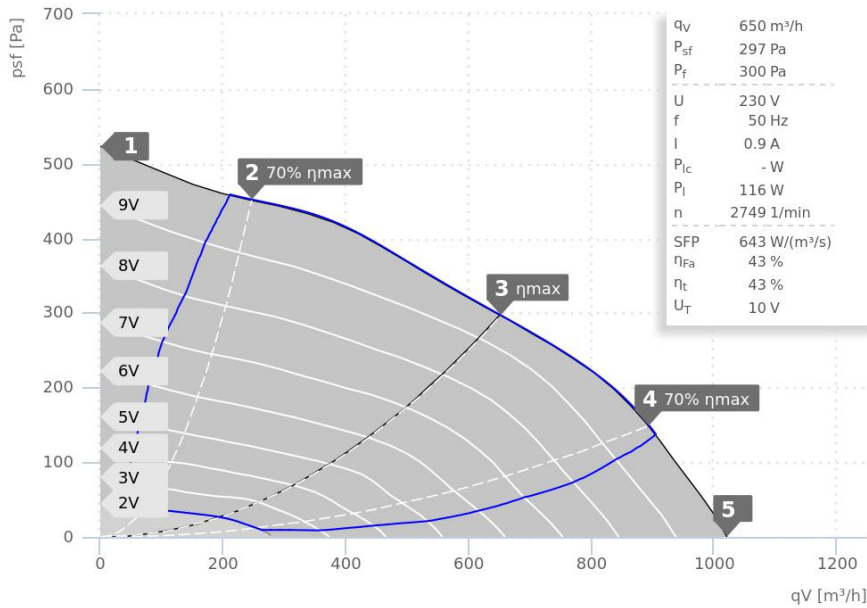
DHA190ECCP20+

129642 04

VENTAS
VENTILATORER

DATA SHEET

DHA 220 EC CP 20 | 129688



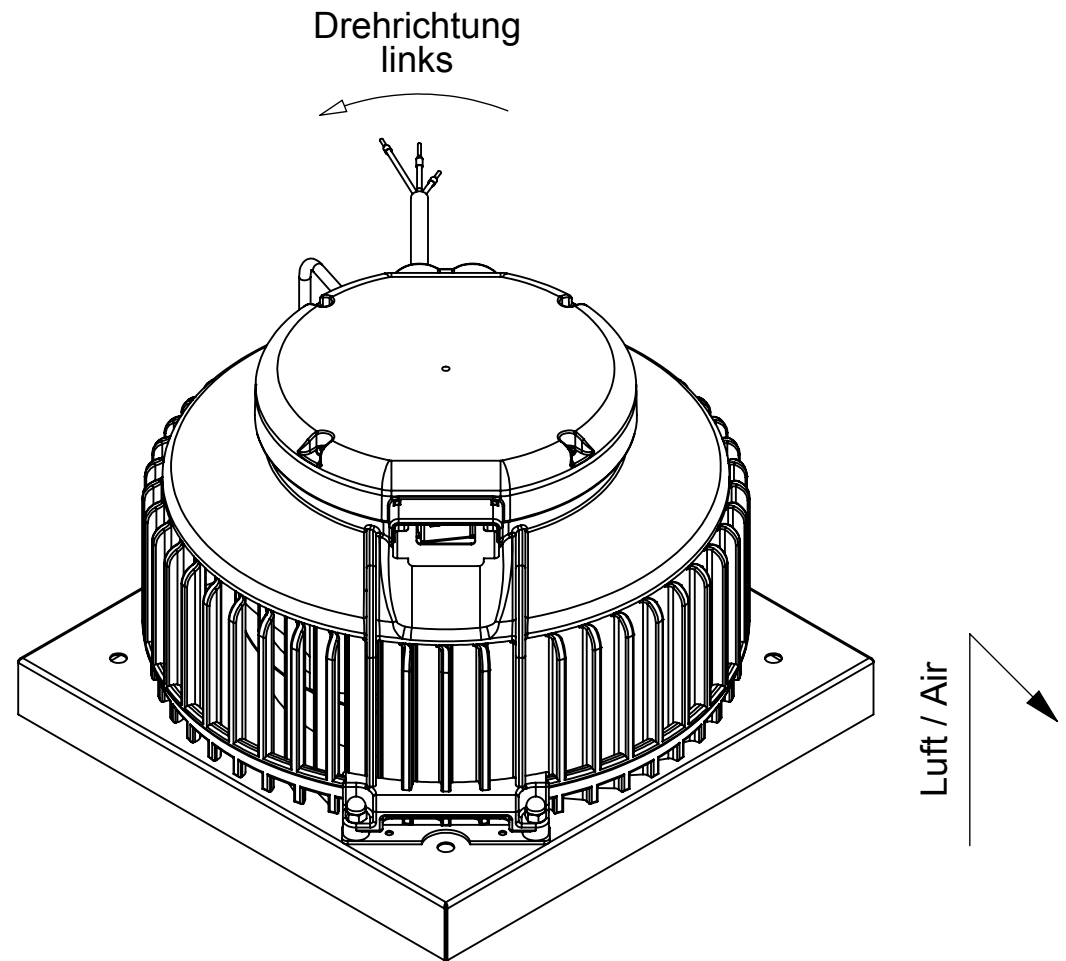
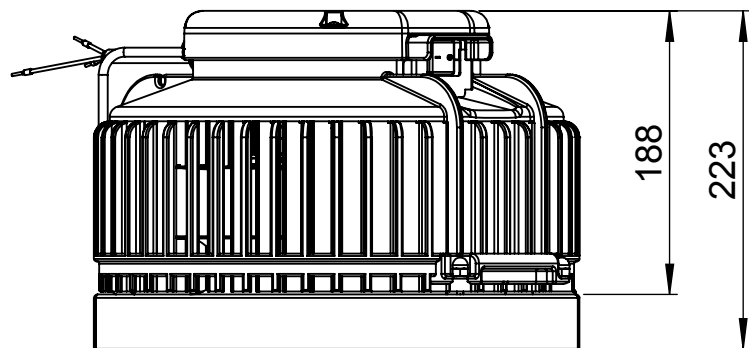
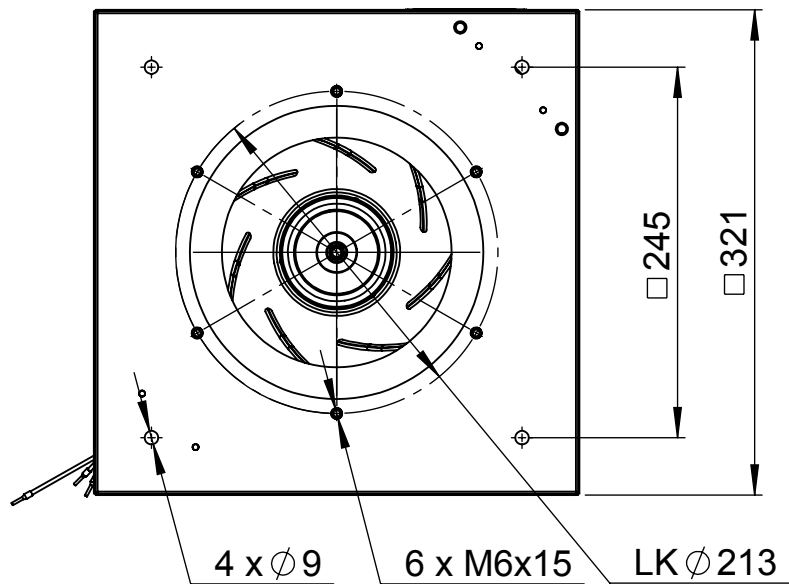
- Backward curved centrifugal fan
- Weather resistant plastic ASA, RAL 7012
- Swing-out fan unit
- EC motor
- Integrated electronic
- With constant pressure control

— ErP compliant range

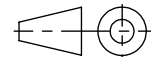
Operating Point		1	2	3	4	5
Current I	A	0,5	0,8	0,9	0,9	0,7
Power consumption P_i	W	62	99	116	113	88
Rotation speed n	1/min	2880	2890	2751	2882	2890
SWL inlet L_{WA5}	dB(A)	78	75	72	73	75
SWL outlet L_{WA6}	dB(A)	82	80	77	78	80
SWL housing break out L_{WA2}	dB(A)	-	-	-	-	-

Sound power (L_W) dB(A)		Medium Frequency Band								
		Σ	63	125	250	500	1k	2k	4k	8k
Inlet	L_{WA5}	72	44	50	60	66	67	66	63	55
Outlet	L_{WA6}	77	47	50	61	68	73	73	67	58
Housing radiation	L_{WA2}	-	-	-	-	-	-	-	-	-

DHA 220 EC CP 20 129688	
Voltage U_N	230 V 1~
Current I_{max}	1,0 A
Ambient temperature t_A	60 °C
Conveyed medium temperature t_M	60 °C
Speed Control	0-10V
Motor protection	TEC
Insulation class motor	F
Weight	5,1 kg
Number of poles	-
IP motor	IP54
IP terminal box	IP44
IP complete unit	IPX4
Min. operating temperature	-30 °C



ruck^{eu}
VENTILATOREN
ruck Ventilatoren
Max-Planck-Str. 5
D-97944 Boxberg



1:5 A4 mm

Protection Mark
according to ISO16016

General tolerances
DIN ISO 2768-c

Created h.ragowski
Drawn h.ragowski
Released h.ragowski
Disabled

12.04.2017
12.04.2017
14.05.2018

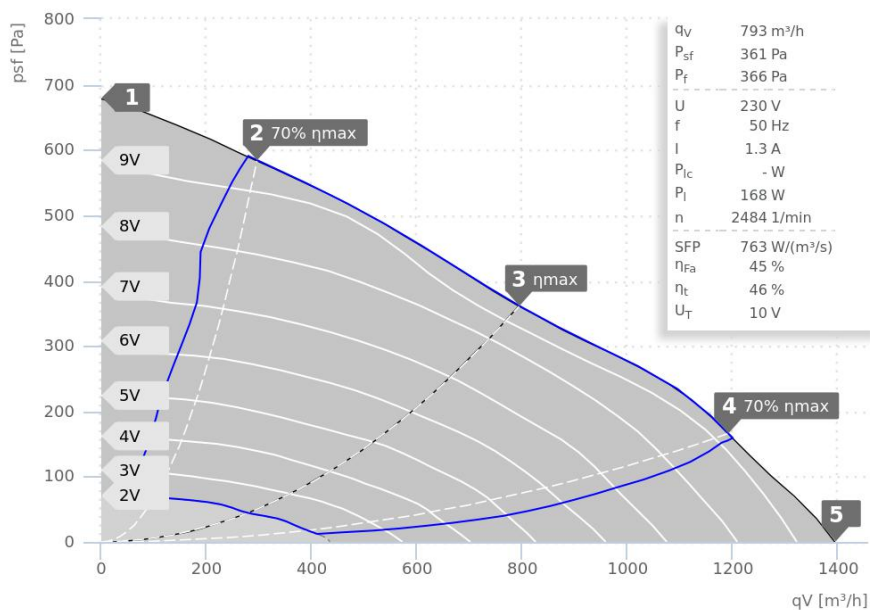
DHA220ECCP20+

129688 04

VENTAS
VENTILATORER

DATA SHEET

DHA 250 EC CP 21 | 159129



- Backward curved centrifugal fan
- Weather resistant plastic ASA, RAL 7012
- Swing-out fan unit
- EC motor
- Integrated electronic
- With constant pressure control

— ErP compliant range

Operating Point		1	2	3	4	5
Current I	A	0,9	1,2	1,3	1,3	1,2
Power consumption P_i	W	114	148	168	162	144
Rotation speed n	1/min	2783	2655	2486	2602	2713
SWL inlet L_{WA5}	dB(A)	81	78	73	75	79
SWL outlet L_{WA6}	dB(A)	86	84	78	81	84
SWL housing break out L_{WA2}	dB(A)	-	-	-	-	-

Sound power (L_W) dB(A)		Medium Frequency Band								
		Σ	63	125	250	500	1k	2k	4k	8k
Inlet	L_{WA5}	73	40	52	67	67	67	64	62	57
Outlet	L_{WA6}	78	40	53	69	70	74	72	66	59
Housing radiation	L_{WA2}	-	-	-	-	-	-	-	-	-

DHA 250 EC CP 21 159129	
Voltage U_N	230 V 1~
Current I_{max}	1,4 A
Ambient temperature t_A	60 °C
Conveyed medium temperature t_M	60 °C
Speed Control	0-10V
Motor protection	TEC
Insulation class motor	F
Weight	5,7 kg
Number of poles	-
IP motor	IP54
IP terminal box	IP54
IP complete unit	IPX4
Min. operating temperature	-30 °C

