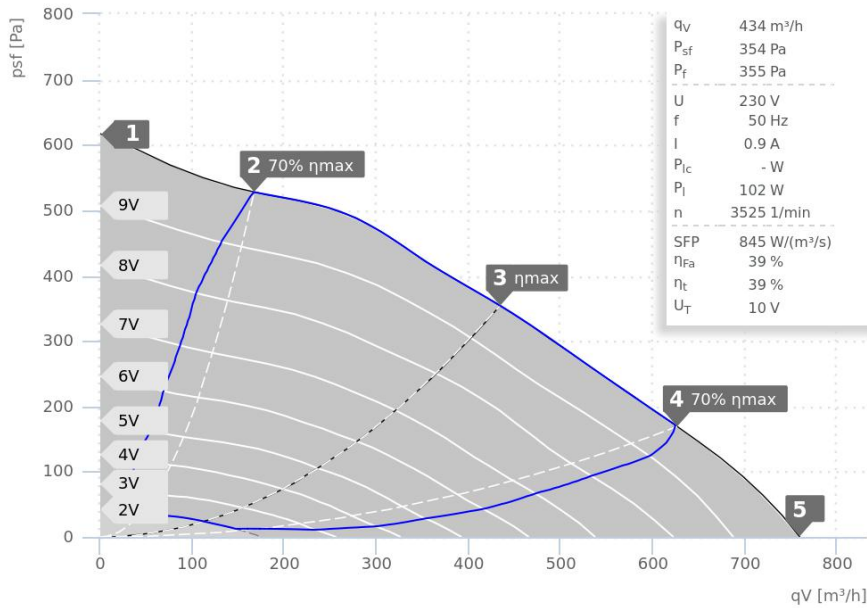


# DATA SHEET

## DHA 190 ECP 20 | 129638



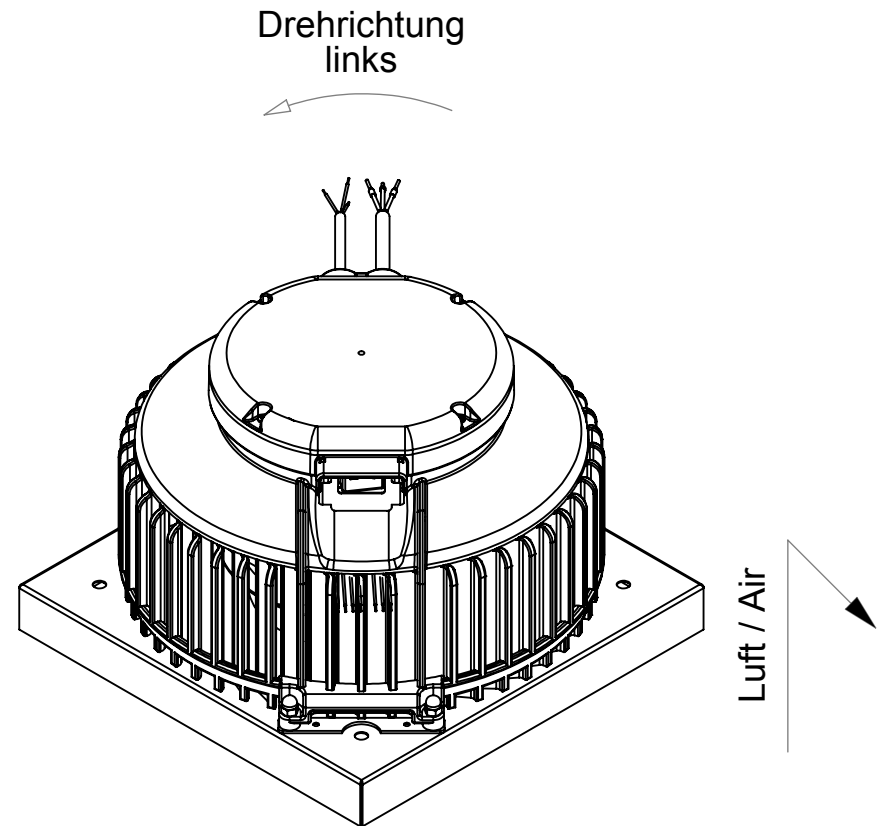
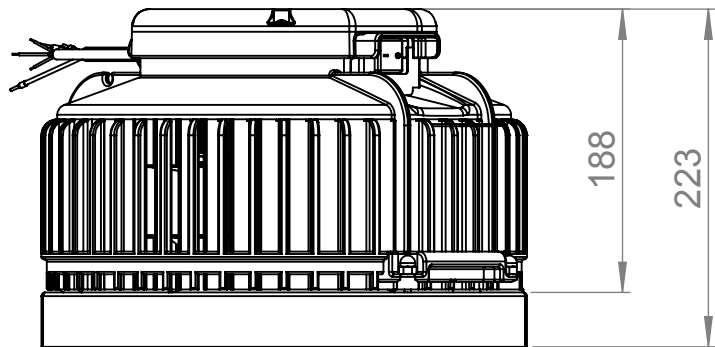
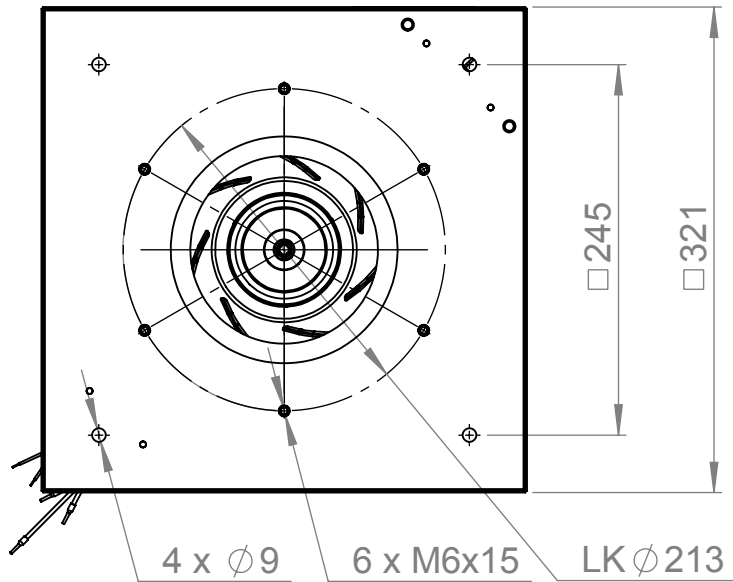
- Backward curved centrifugal fan
- Weather resistant plastic ASA, RAL 7012
- Swing-out fan unit
- EC motor
- Integrated electronic
- Integrated main switch

— ErP compliant range

Operating Point		1	2	3	4	5
Current $I$	A	0,6	0,8	0,9	0,8	0,8
Power consumption $P_i$	W	61	90	102	100	90
Rotation speed $n$	1/min	3613	3575	3525	3554	3597
SWL inlet $L_{WA5}$	dB(A)	78	75	70	76	77
SWL outlet $L_{WA6}$	dB(A)	82	81	75	80	82
SWL housing break out $L_{WA2}$	dB(A)	-	-	-	-	-

Sound power ( $L_W$ ) dB(A)		Medium Frequency Band								
		$\Sigma$	63	125	250	500	1k	2k	4k	8k
Inlet	$L_{WA5}$	70	42	53	59	65	64	64	59	56
Outlet	$L_{WA6}$	75	44	57	63	68	70	69	66	60
Housing radiation	$L_{WA2}$	-	-	-	-	-	-	-	-	-

DHA 190 ECP 20   129638	
Voltage $U_N$	230 V 1~
Current $I_{max}$	0,9 A
Ambient temperature $t_A$	60 °C
Conveyed medium temperature $t_M$	60 °C
Speed Control	0-10V
Motor protection	TEC
Insulation class motor	F
Weight	5,1 kg
Number of poles	-
IP motor	IP54
IP terminal box	IP44
IP complete unit	IPX4
Min. operating temperature	-30 °C



**ruck**<sup>eu</sup>  
VENTILATOREN  
ruck Ventilatoren  
Max-Planck-Str. 5  
D-97944 Boxberg



Protection Mark  
according to ISO 16016  
Created h.ragowski  
Drawn h.ragowski  
Released v.brand  
Disabled

1:5 A4 mm

General tolerances  
DIN ISO 2768-c

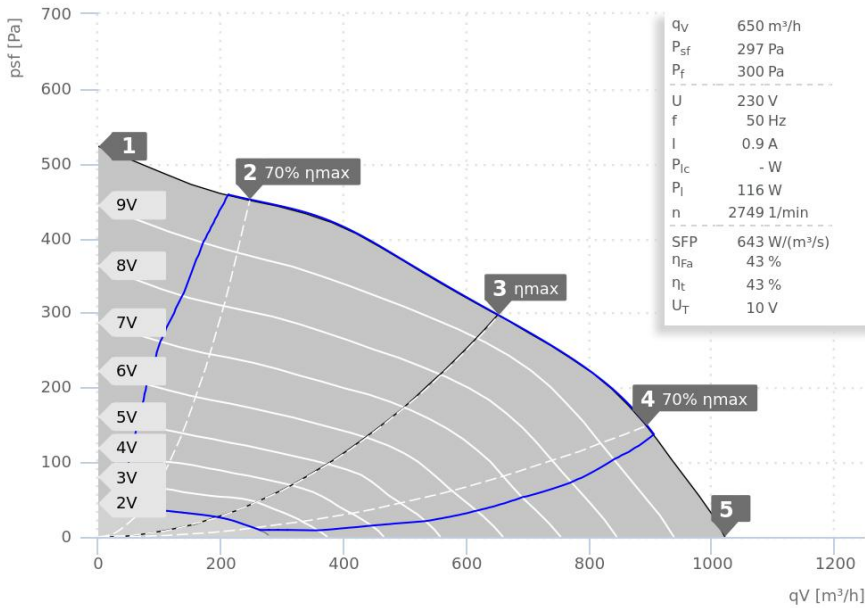
**DHA190ECP20+**

**129638 02**

**VENTAS**  
VENTILATORER

# DATA SHEET

## DHA 220 ECP 20 | 129685



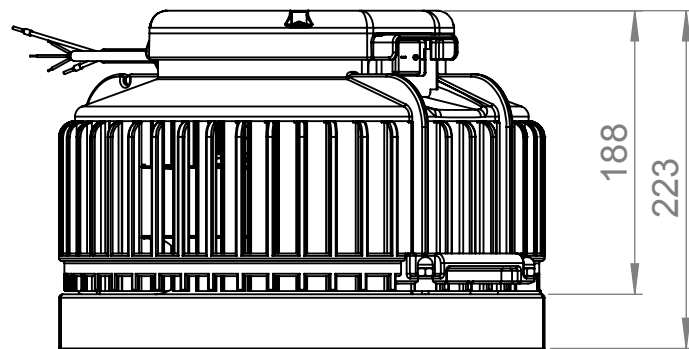
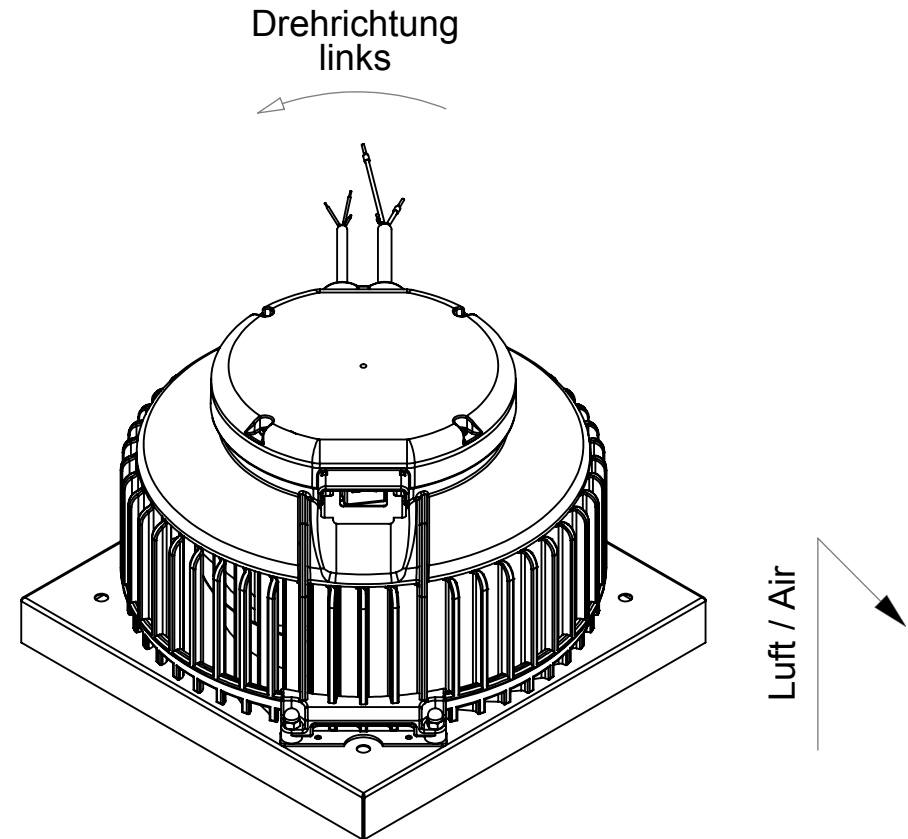
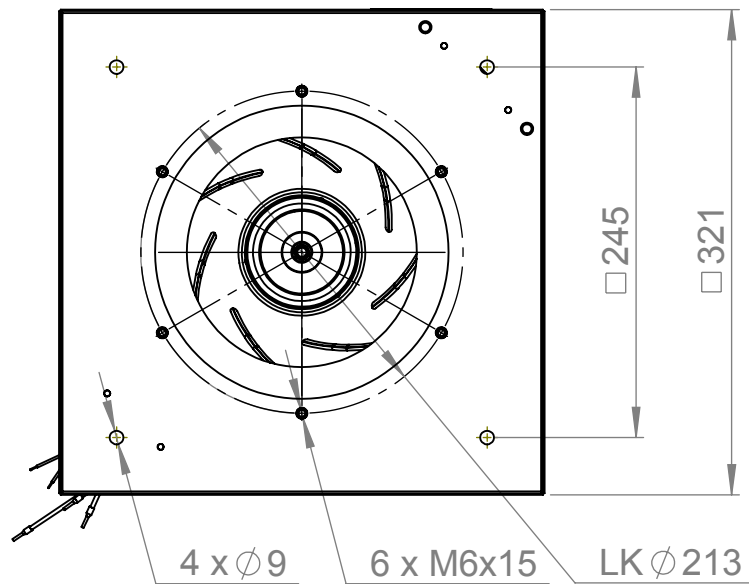
- Backward curved centrifugal fan
- Weather resistant plastic ASA, RAL 7012
- Swing-out fan unit
- EC motor
- Integrated electronic
- Integrated main switch

— ErP compliant range

Operating Point		1	2	3	4	5
Current I	A	0,5	0,8	0,9	0,9	0,7
Power consumption P <sub>i</sub>	W	62	99	116	113	88
Rotation speed n	1/min	2880	2890	2751	2882	2890
SWL inlet L <sub>WA5</sub>	dB(A)	78	75	72	73	75
SWL outlet L <sub>WA6</sub>	dB(A)	82	80	77	78	80
SWL housing break out L <sub>WA2</sub>	dB(A)	-	-	-	-	-

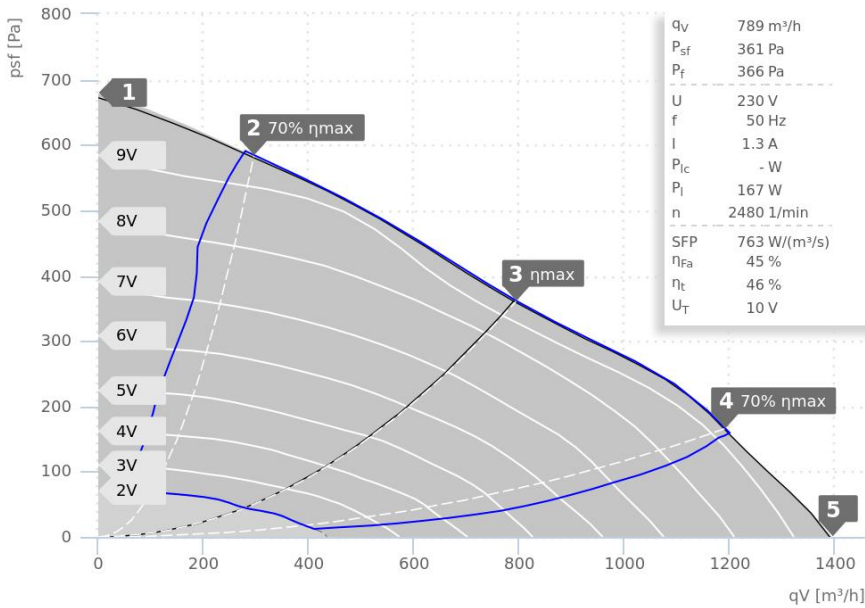
Sound power (L <sub>W</sub> ) dB(A)		Medium Frequency Band								
		Σ	63	125	250	500	1k	2k	4k	8k
Inlet	L <sub>WA5</sub>	72	44	50	60	66	67	66	63	55
Outlet	L <sub>WA6</sub>	77	47	50	61	68	73	73	67	58
Housing radiation	L <sub>WA2</sub>	-	-	-	-	-	-	-	-	-

DHA 220 ECP 20   129685	
Voltage U <sub>N</sub>	230 V 1~
Current I <sub>max</sub>	1,0 A
Ambient temperature t <sub>A</sub>	60 °C
Conveyed medium temperature t <sub>M</sub>	60 °C
Speed Control	0-10V
Motor protection	TEC
Insulation class motor	F
Weight	5,6 kg
Number of poles	-
IP motor	IP54
IP terminal box	IP44
IP complete unit	IPX4
Min. operating temperature	-30 °C



# DATA SHEET

## DHA 250 ECP 21 | 159091



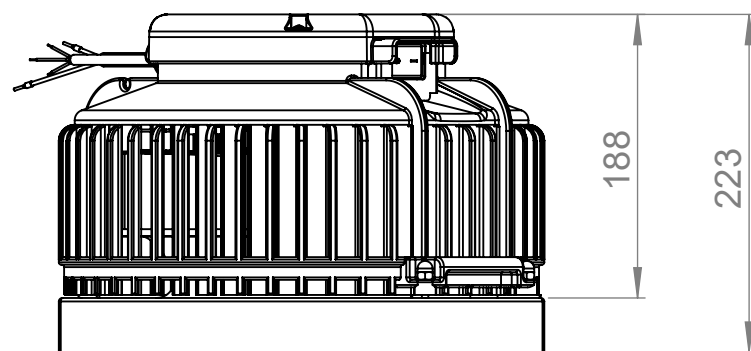
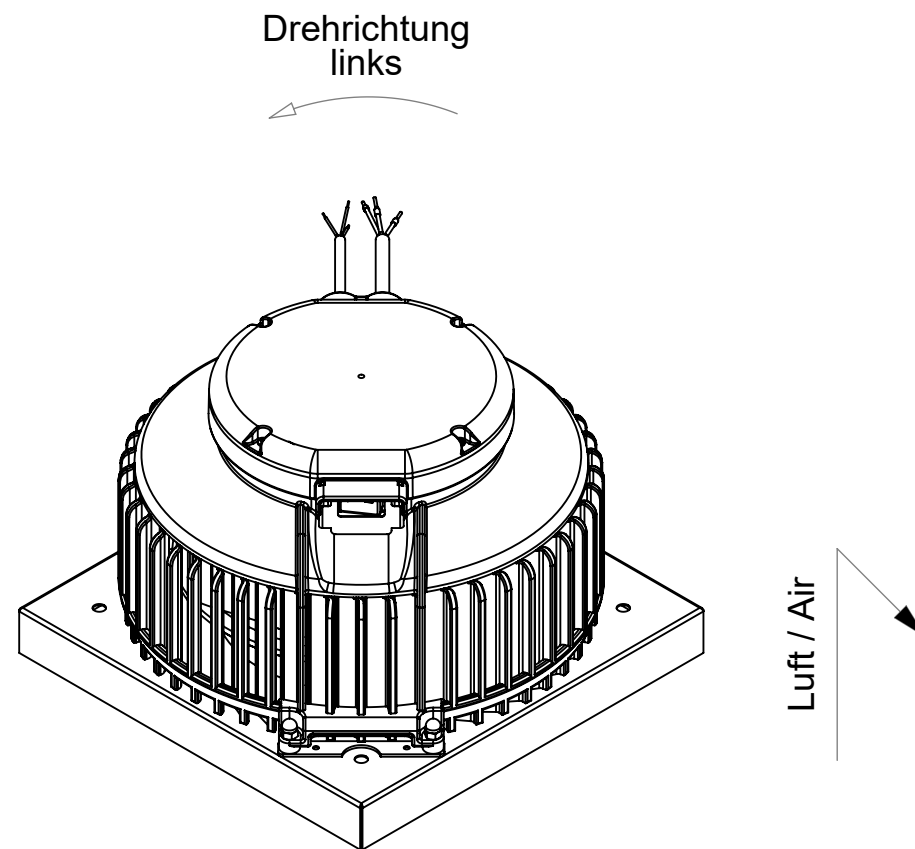
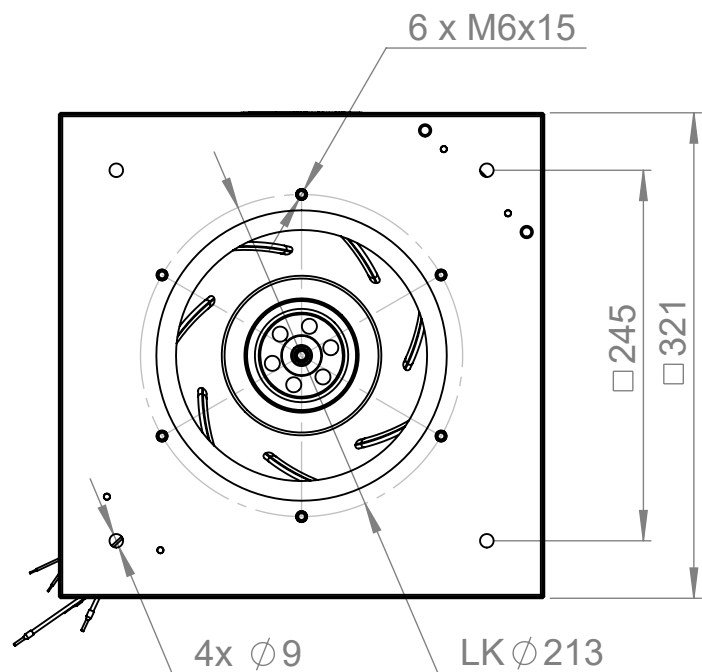
- Backward curved centrifugal fan
- Weather resistant plastic ASA, RAL 7012
- Swing-out fan unit
- EC motor
- Integrated electronic
- Integrated main switch

— ErP compliant range

Operating Point		1	2	3	4	5
Current I	A	0,9	1,2	1,3	1,3	1,2
Power consumption $P_i$	W	114	148	168	162	144
Rotation speed n	1/min	2783	2655	2486	2602	2713
SWL inlet $L_{WA5}$	dB(A)	81	78	73	75	79
SWL outlet $L_{WA6}$	dB(A)	86	84	78	81	84
SWL housing break out $L_{WA2}$	dB(A)	-	-	-	-	-

Sound power ( $L_W$ ) dB(A)		Medium Frequency Band								
		$\Sigma$	63	125	250	500	1k	2k	4k	8k
Inlet	$L_{WA5}$	73	40	52	67	67	67	64	62	56
Outlet	$L_{WA6}$	78	40	53	69	70	74	72	66	59
Housing radiation	$L_{WA2}$	-	-	-	-	-	-	-	-	-

DHA 250 ECP 21   159091	
Voltage $U_N$	230 V 1~
Current $I_{max}$	1,4 A
Ambient temperature $t_A$	60 °C
Conveyed medium temperature $t_M$	60 °C
Speed Control	0-10V
Motor protection	TEC
Insulation class motor	F
Weight	5,5 kg
Number of poles	-
IP motor	IP54
IP terminal box	IP54
IP complete unit	IPX4
Min. operating temperature	-30 °C



**ruck**<sup>eu</sup>  
VENTILATOREN  
ruck Ventilatoren  
Max-Planck-Str. 5  
D-97944 Boxberg



1:5 A4 mm

Protection Mark  
according to ISO16016

General tolerances  
DIN ISO 2768-c

Created a.ganea  
Drawn a.ganea  
Released a.ganea  
Disabled

16.07.2021  
16.07.2021  
16.07.2021

**DHA250ECP21**

**159091 00**

**VENTAS**  
VENTILATOREN