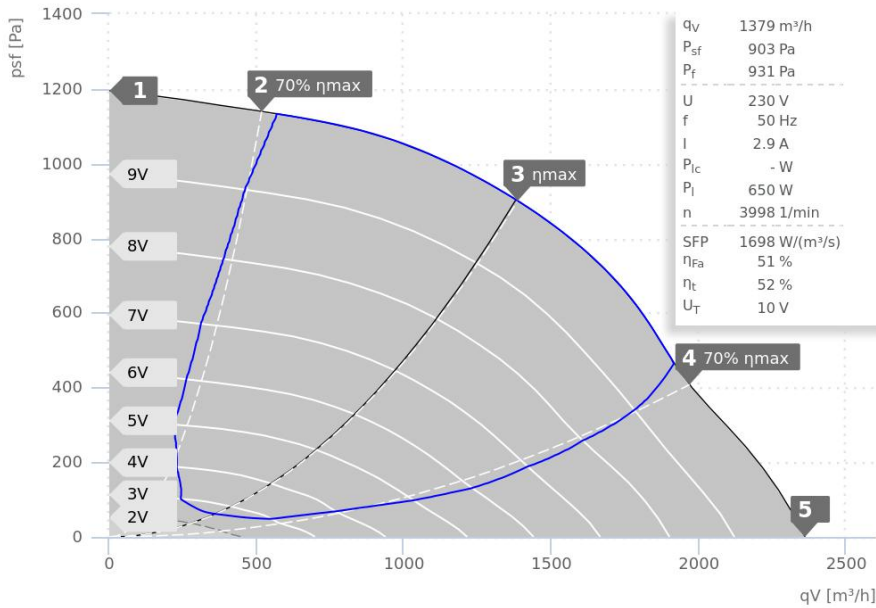


DATA SHEET

DVN 225 EC 30 | 144837



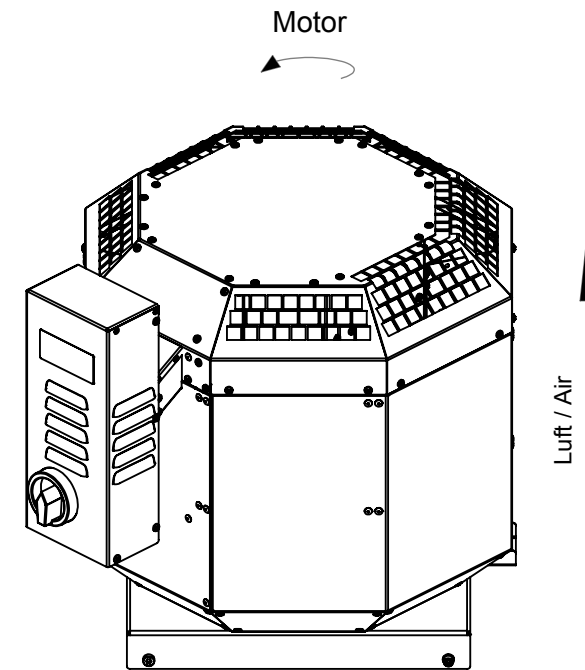
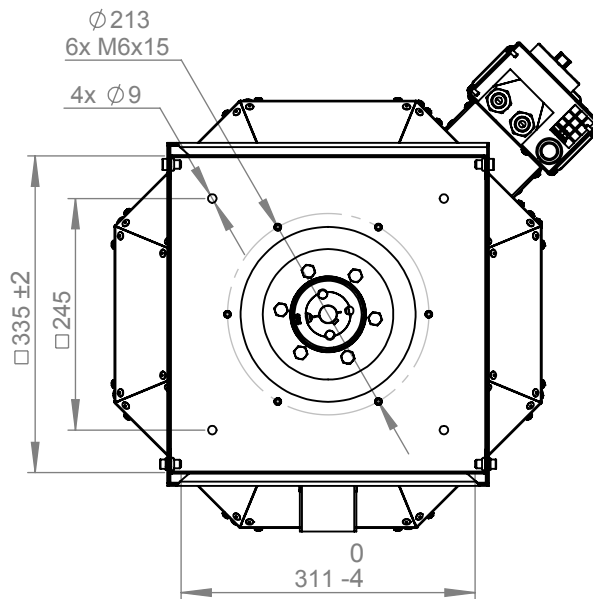
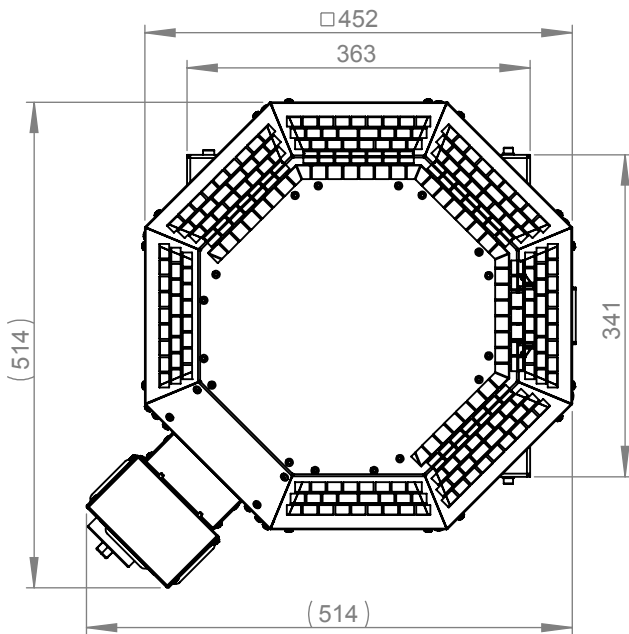
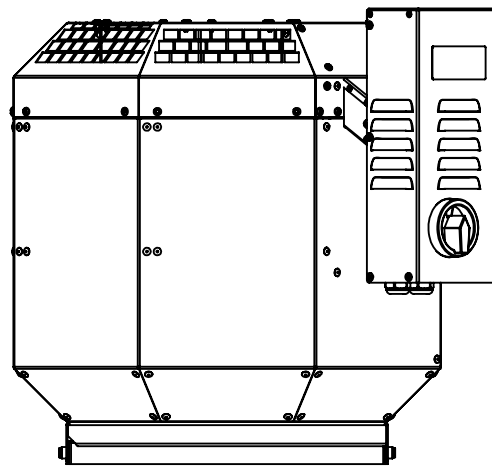
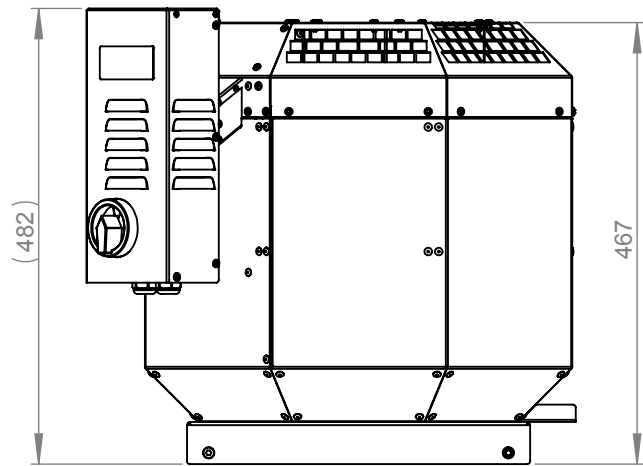
- Max. medium temperature 120°C
- EC-motor outside of air stream
- Speed controllable
- Swing-out fan unit
- Drain tray
- Housing made of aluminium AlMg3

— ErP compliant range

Operating Point		1	2	3	4	5
Current I	A	1,3	2,0	2,9	2,7	2,2
Power consumption P _i	W	250	445	651	594	494
Rotation speed n	1/min	3989	3995	3998	3997	3996
SWL inlet L _{WA5}	dB(A)	83	81	80	84	86
SWL outlet L _{WA6}	dB(A)	85	84	85	89	90
SWL housing break out L _{WA2}	dB(A)	-	-	-	-	-

Sound power (L _W) dB(A)		Medium Frequency Band								
		Σ	63	125	250	500	1k	2k	4k	8k
Inlet	L _{WA5}	80	51	63	68	76	74	72	71	67
Outlet	L _{WA6}	85	54	66	70	82	78	78	72	69
Housing radiation	L _{WA2}	-	-	-	-	-	-	-	-	-

DVN 225 EC 30 144837	
Voltage U _N	230 V 1~
Current I _{max}	3,1 A
Ambient temperature t _A	40 °C
Conveyed medium temperature t _M	120 °C
Speed Control	0-10V
Motor protection	TEC
Insulation class motor	F
Weight	20,0 kg
Number of poles	-
IP motor	IP54
IP terminal box	-
IP complete unit	-
Min. operating temperature	-20 °C



1:8 A4 mm

Protection Mark according to ISO16016

General tolerances DIN ISO 2768-c

DVN225EC30

ruck Ventilatoren
Max-Planck-Str. 5
D-97944 Boxberg

Created d.ursu
Drawn d.ursu
Released d.ursu
Disabled

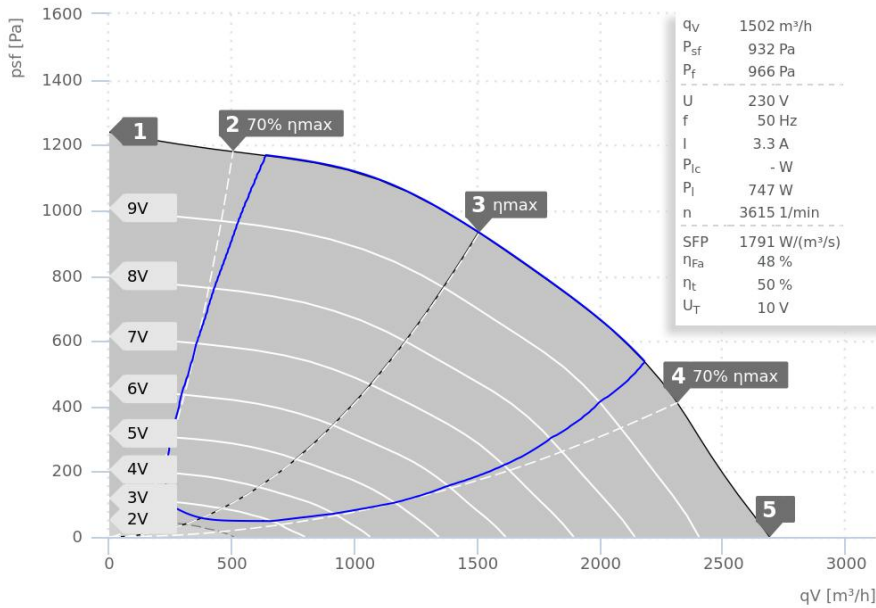
12.03.2018
12.03.2018
04.07.2018

144837 01



DATA SHEET

DVN 250 EC 30 | 144839



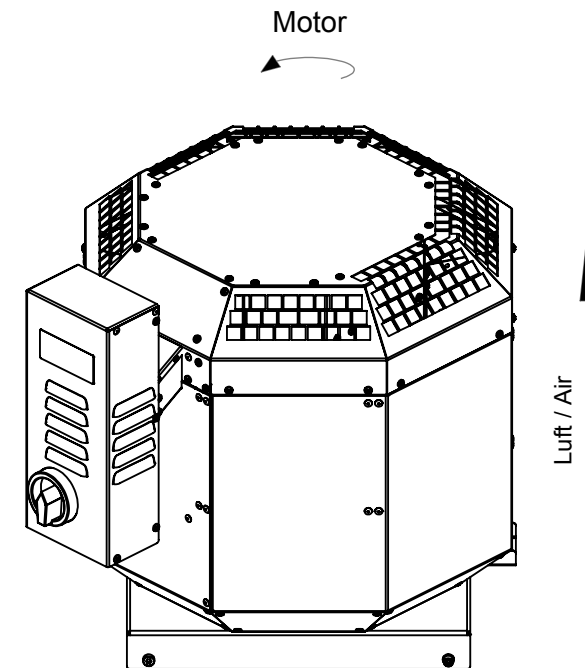
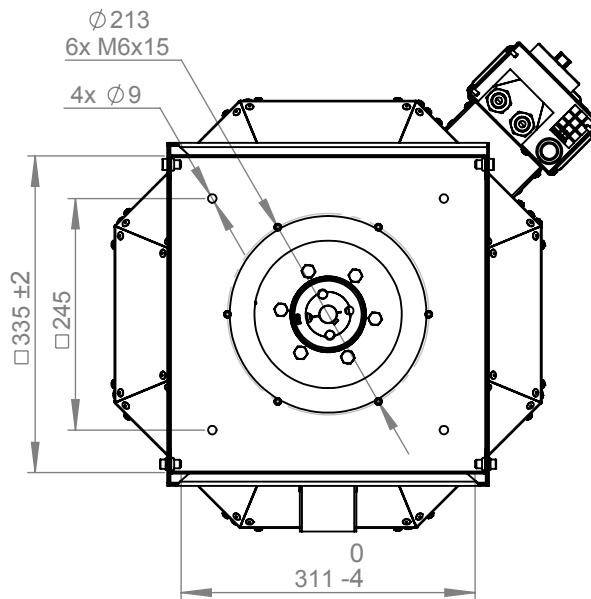
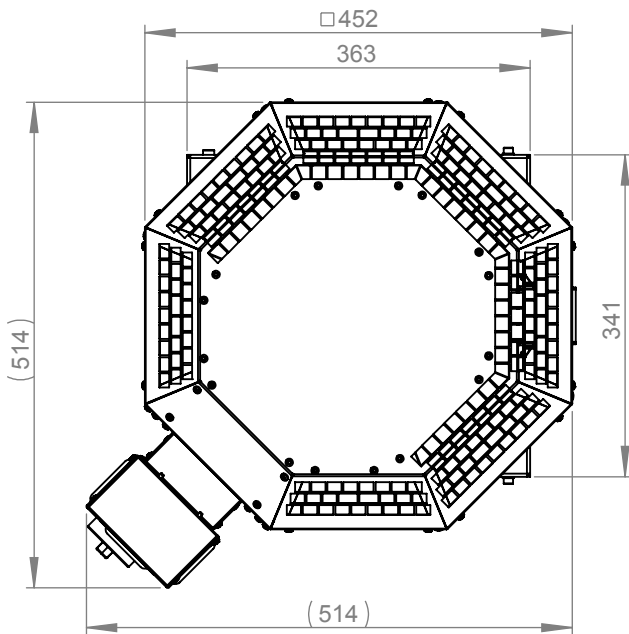
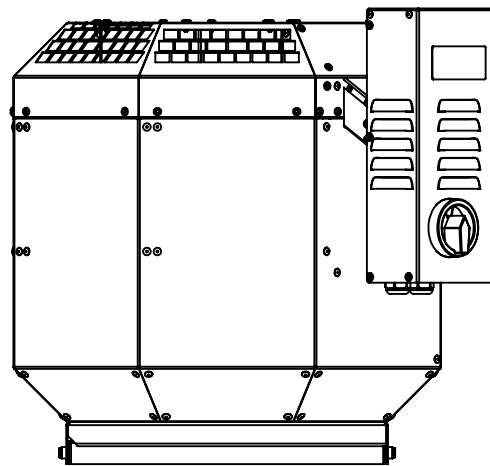
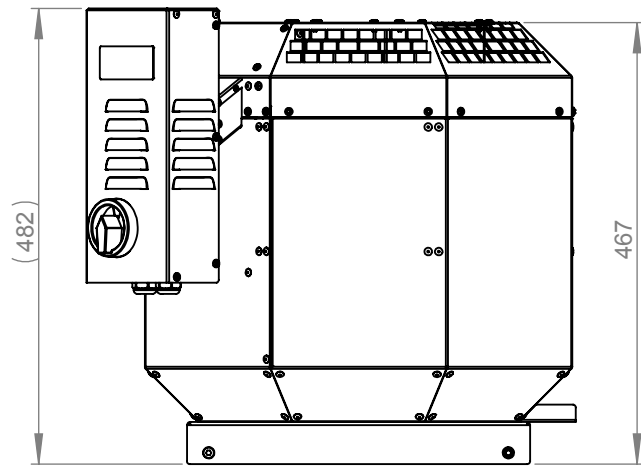
- Max. medium temperature 120°C
- EC-motor outside of air stream
- Speed controllable
- Swing-out fan unit
- Drain tray
- Housing made of aluminium AlMg3

— ErP compliant range

Operating Point		1	2	3	4	5
Current I	A	1,3	2,1	3,3	3,2	2,8
Power consumption P ₁	W	271	455	749	725	613
Rotation speed n	1/min	3623	3629	3617	3621	3636
SWL inlet L _{WA5}	dB(A)	83	82	83	87	89
SWL outlet L _{WA6}	dB(A)	86	86	88	92	94
SWL housing break out L _{WA2}	dB(A)	-	-	-	-	-

Sound power (L _W) dB(A)		Medium Frequency Band								
		Σ	63	125	250	500	1k	2k	4k	8k
Inlet	L _{WA5}	83	51	65	70	77	78	74	72	73
Outlet	L _{WA6}	88	53	69	73	85	81	78	72	70
Housing radiation	L _{WA2}	-	-	-	-	-	-	-	-	-

DVN 250 EC 30 144839	
Voltage U _N	230 V 1~
Current I _{max}	3,6 A
Ambient temperature t _A	40 °C
Conveyed medium temperature t _M	120 °C
Speed Control	0-10V
Motor protection	TEC
Insulation class motor	F
Weight	20,5 kg
Number of poles	-
IP motor	IP54
IP terminal box	-
IP complete unit	-
Min. operating temperature	-20 °C



ruck^{eu}
VENTILATOREN
ruck Ventilatoren
Max-Planck-Str. 5
D-97944 Boxberg



Protection Mark
according to ISO16016
Created d.ursu
Drawn d.ursu
Released d.ursu
Disabled

1:8 A4 mm

General tolerances
DIN ISO 2768-c

14.03.2018
14.03.2018
04.07.2018

DVN250EC30

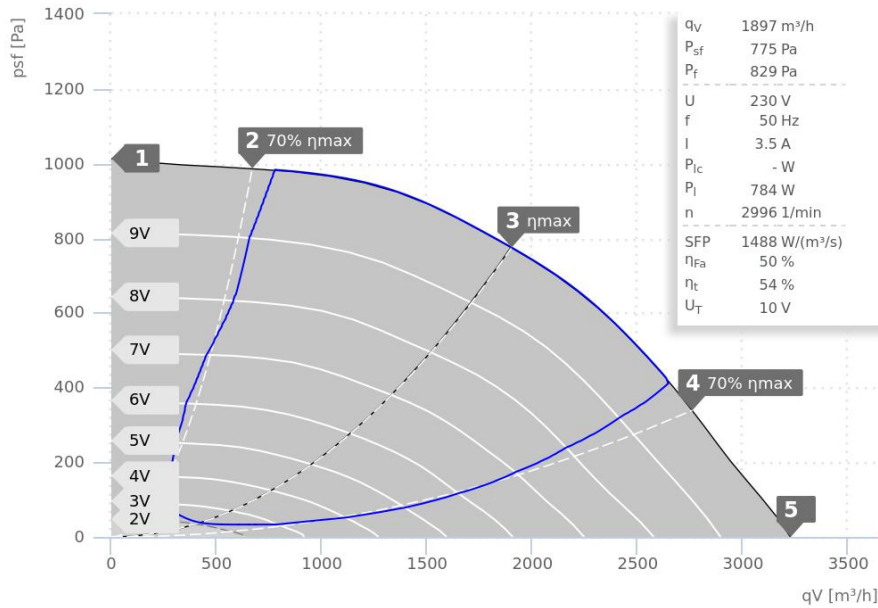
144839 01

VENTAS
VENTILATOREN

DATA SHEET

ruck.eu
VENTILATOREN

DVN 280 EC 30 | 144841



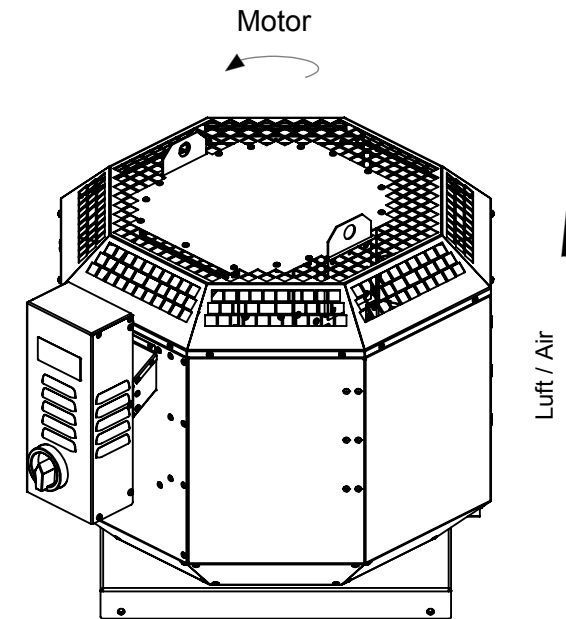
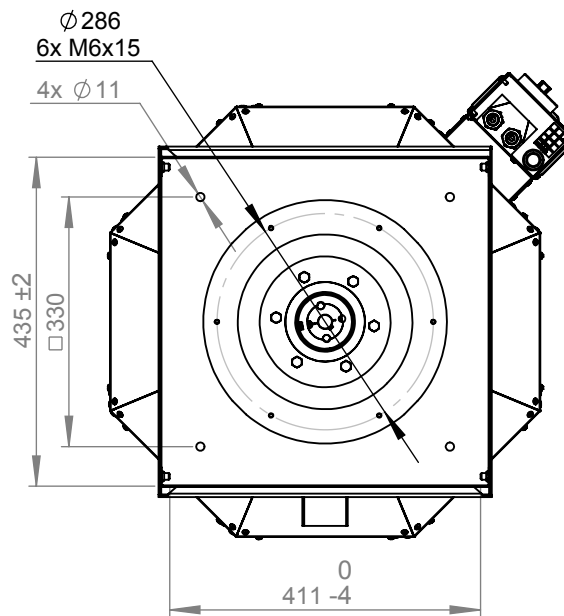
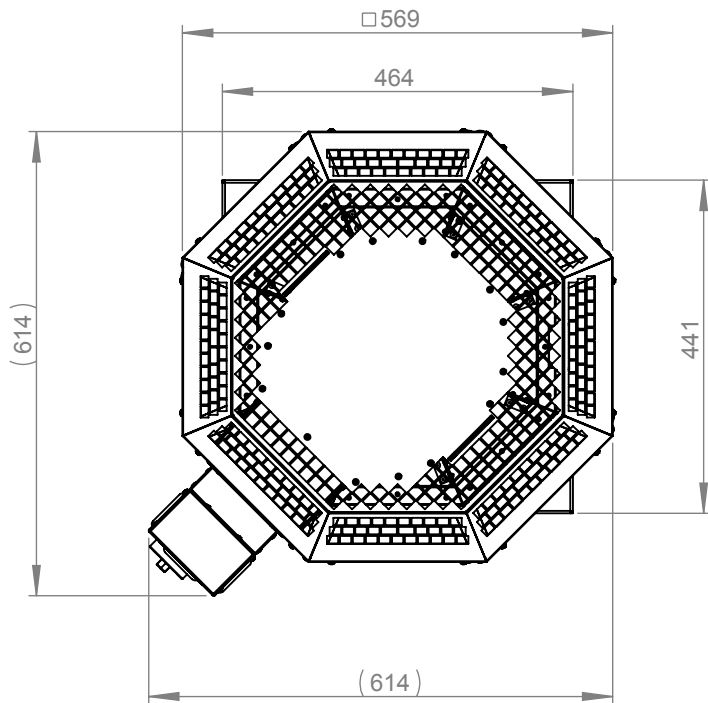
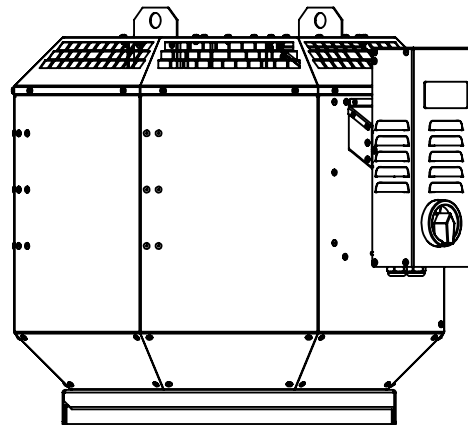
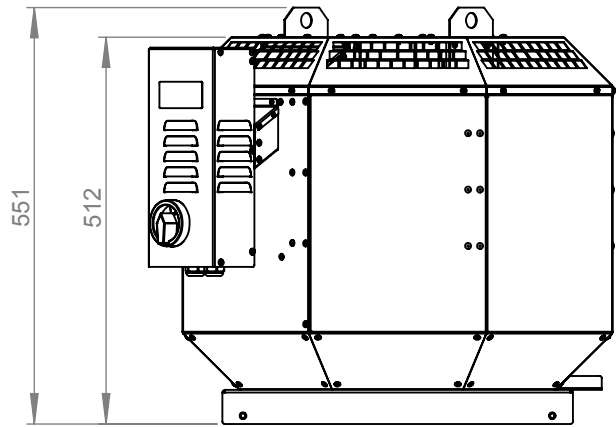
- Max. medium temperature 120°C
- EC-motor outside of air stream
- Speed controllable
- Swing-out fan unit
- Drain tray
- Housing made of aluminium AlMg3

— ErP compliant range

Operating Point		1	2	3	4	5
Current I	A	1,3	2,3	3,5	3,2	2,6
Power consumption P_1	W	258	506	786	706	583
Rotation speed n	1/min	2997	3000	2998	3000	3000
SWL inlet L_{WA5}	dB(A)	81	80	81	86	87
SWL outlet L_{WA6}	dB(A)	85	85	86	90	91
SWL housing break out L_{WA2}	dB(A)	-	-	-	-	-

Sound power (L_W) dB(A)		Medium Frequency Band								
		Σ	63	125	250	500	1k	2k	4k	8k
Inlet	L_{WA5}	81	63	64	72	77	74	71	67	63
Outlet	L_{WA6}	86	64	67	81	81	80	78	70	64
Housing radiation	L_{WA2}	-	-	-	-	-	-	-	-	-

DVN 280 EC 30 144841	
Voltage U_N	230 V 1~
Current I_{max}	3,7 A
Ambient temperature t_A	40 °C
Conveyed medium temperature t_M	120 °C
Speed Control	0-10V
Motor protection	TEC
Insulation class motor	F
Weight	27,0 kg
Number of poles	-
IP motor	IP54
IP terminal box	-
IP complete unit	-
Min. operating temperature	-20 °C



Protection Mark
according to ISO 16016
Created d.ursu
Drawn d.ursu
Released a.ganea
Disabled

1:10 A4 mm

General tolerances
DIN ISO 2768-c

DVN280EC30

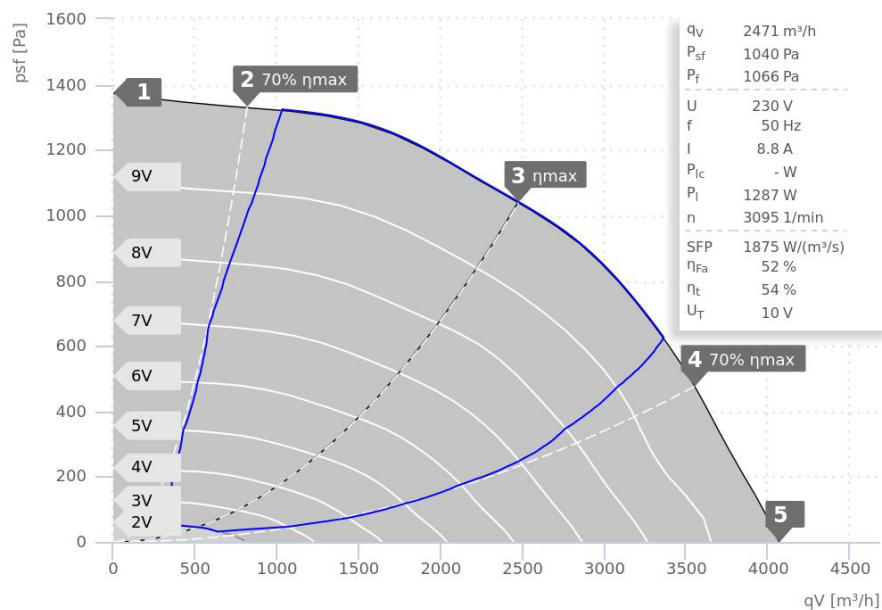
144841 01



DATA SHEET

ruck.eu
VENTILATOREN

DVN 315 EC 30 | 142182



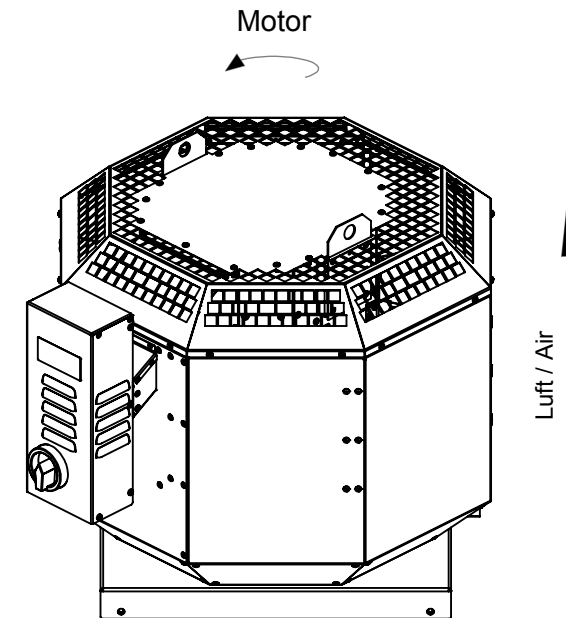
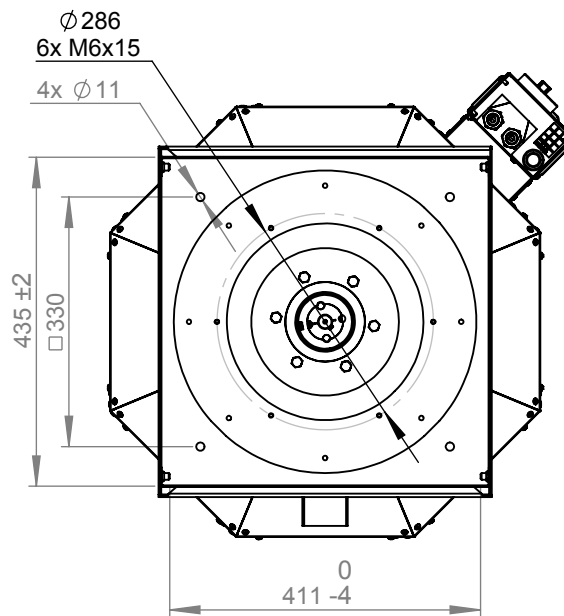
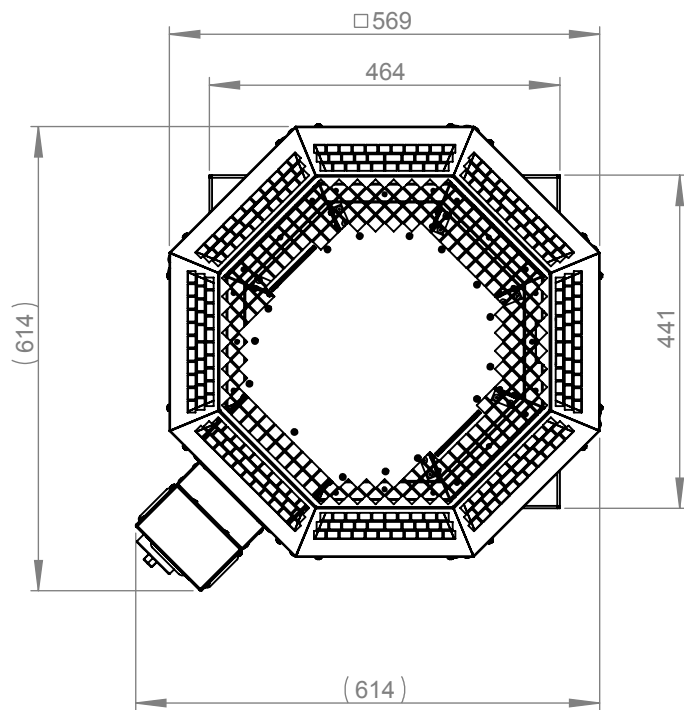
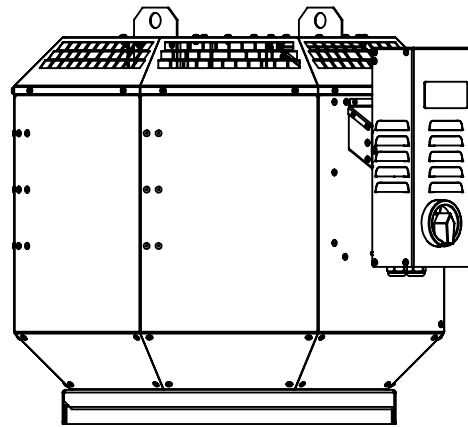
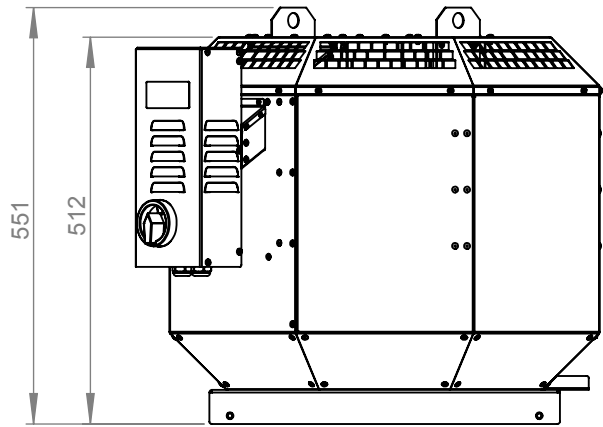
- Max. medium temperature 120°C
- EC-motor outside of air stream
- Speed controllable
- Swing-out fan unit
- Drain tray
- Housing made of aluminium AlMg3

— ErP compliant range

Operating Point		1	2	3	4	5
Current I	A	3,3	5,6	8,8	8,2	6,6
Power consumption P_i	W	441	781	1291	1196	962
Rotation speed n	1/min	3087	3097	3098	3097	3098
SWL inlet L_{WA5}	dB(A)	86	85	85	89	91
SWL outlet L_{WA6}	dB(A)	88	88	89	93	94
SWL housing break out L_{WA2}	dB(A)	-	-	-	-	-

Sound power (L_W) dB(A)		Medium Frequency Band								
		Σ	63	125	250	500	1k	2k	4k	8k
Inlet	L_{WA5}	85	54	66	75	81	78	77	74	72
Outlet	L_{WA6}	89	55	70	79	84	84	81	76	70
Housing radiation	L_{WA2}	-	-	-	-	-	-	-	-	-

DVN 315 EC 30 142182	
Voltage U_N	230 V 1~
Current I_{max}	9,6 A
Ambient temperature t_A	50 °C
Conveyed medium temperature t_M	120 °C
Speed Control	0-10V
Motor protection	TEC
Insulation class motor	F
Weight	39,0 kg
Number of poles	-
IP motor	IP54
IP terminal box	-
IP complete unit	-
Min. operating temperature	-20 °C



Protection Mark
according to ISO 16016
Created d.ursu
Drawn d.ursu
Released a.ganea
Disabled

1:10 A4 mm

General tolerances
DIN ISO 2768-c

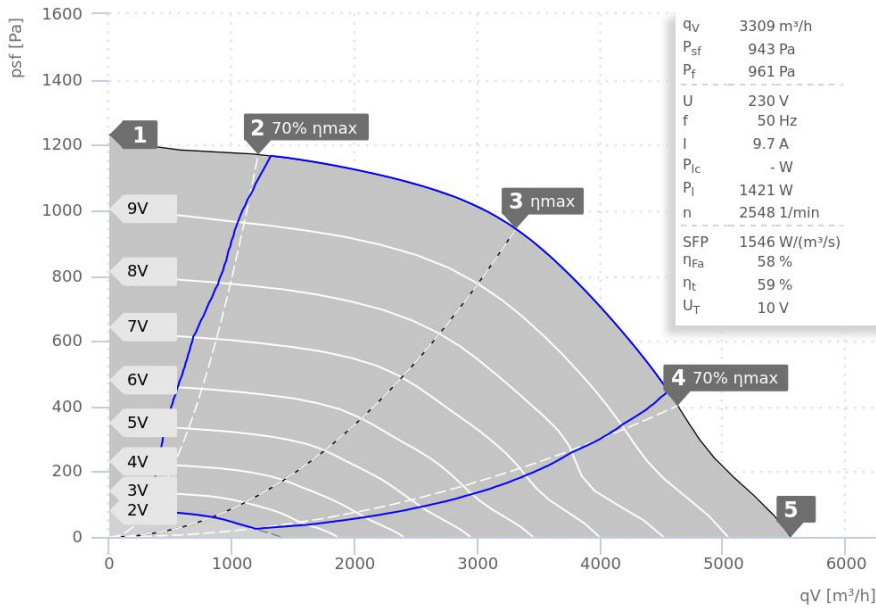
DVN315EC30

142182 01



DATA SHEET

DVN 355 EC 30 | 142184



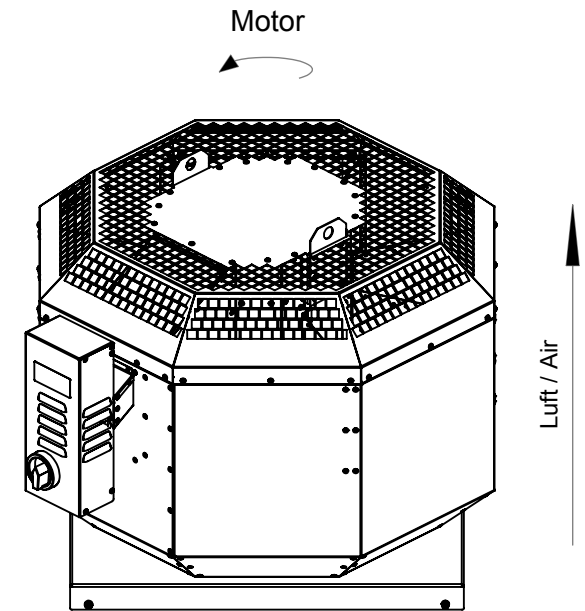
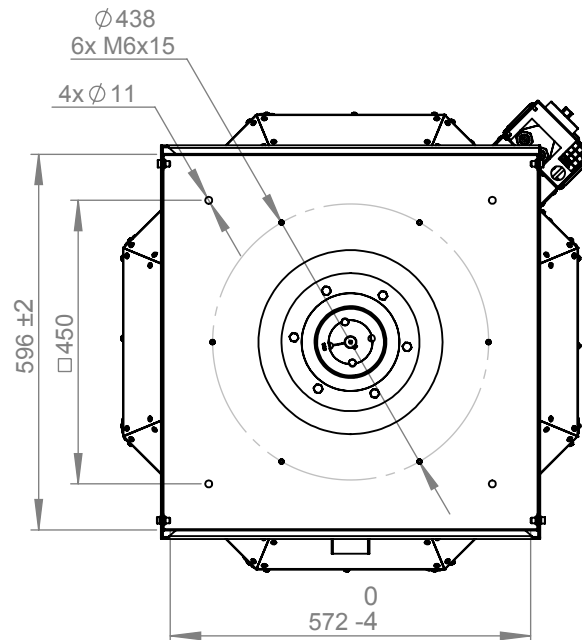
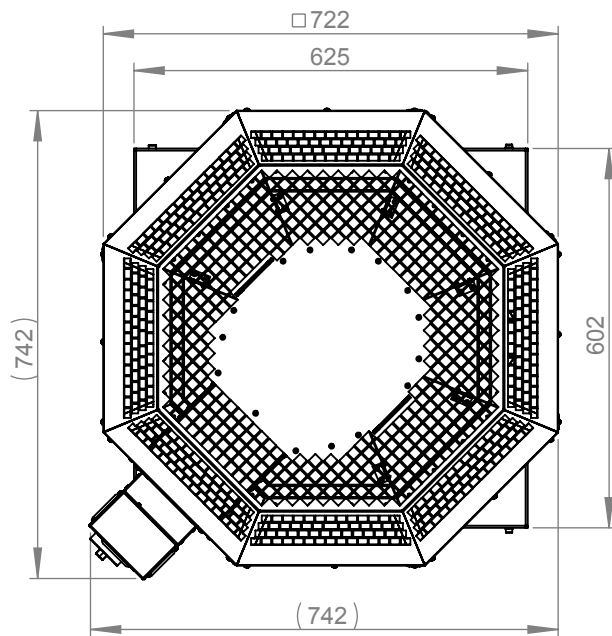
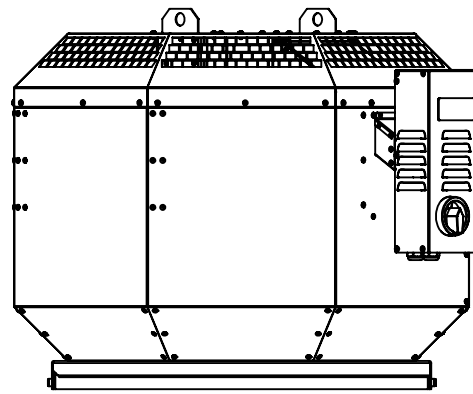
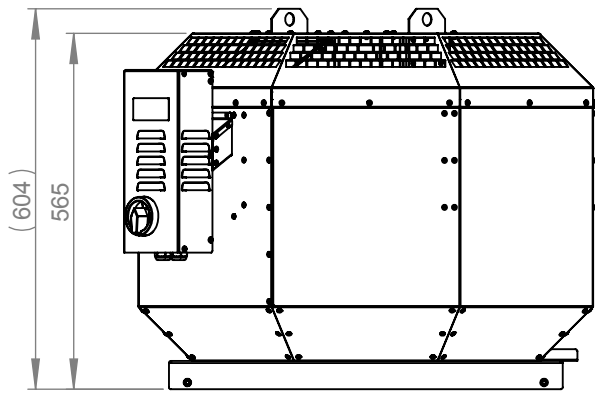
- Max. medium temperature 120°C
- EC-motor outside of air stream
- Speed controllable
- Swing-out fan unit
- Drain tray
- Housing made of aluminium AlMg3

— ErP compliant range

Operating Point		1	2	3	4	5
Current I	A	3,6	6,6	9,7	8,3	7,0
Power consumption P_i	W	433	928	1421	1206	992
Rotation speed n	1/min	2543	2548	2548	2548	2548
SWL inlet L_{WA5}	dB(A)	84	83	82	86	88
SWL outlet L_{WA6}	dB(A)	87	86	86	89	91
SWL housing break out L_{WA2}	dB(A)	-	-	-	-	-

Sound power (L_W) dB(A)		Medium Frequency Band								
		Σ	63	125	250	500	1k	2k	4k	8k
Inlet	L_{WA5}	82	48	58	75	75	75	74	76	65
Outlet	L_{WA6}	86	52	63	80	79	80	78	76	67
Housing radiation	L_{WA2}	-	-	-	-	-	-	-	-	-

DVN 355 EC 30 142184	
Voltage U_N	230 V 1~
Current I_{max}	10,1 A
Ambient temperature t_A	50 °C
Conveyed medium temperature t_M	120 °C
Speed Control	0-10V
Motor protection	TEC
Insulation class motor	F
Weight	48,1 kg
Number of poles	-
IP motor	IP54
IP terminal box	-
IP complete unit	-
Min. operating temperature	-20 °C



Protection Mark
according to ISO 16016
Created d.ursu
Drawn d.ursu
Released d.ursu
Disabled

1:12 A4 mm

General tolerances
DIN ISO 2768-c

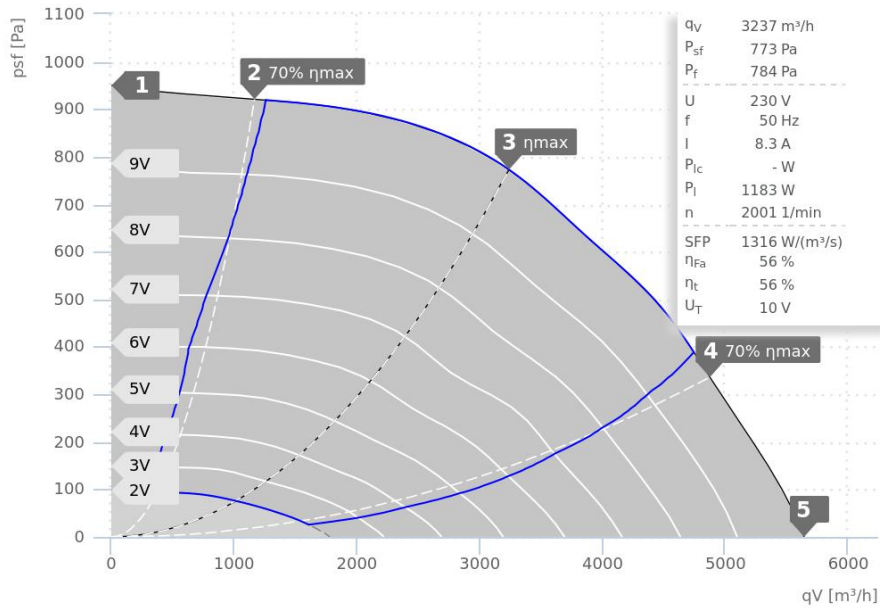
DVN355EC30

142184 01



DATA SHEET

DVN 400 EC 30 | 142186



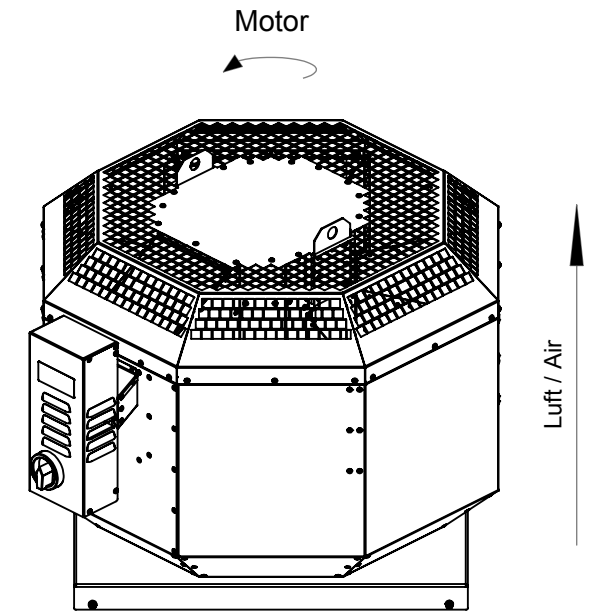
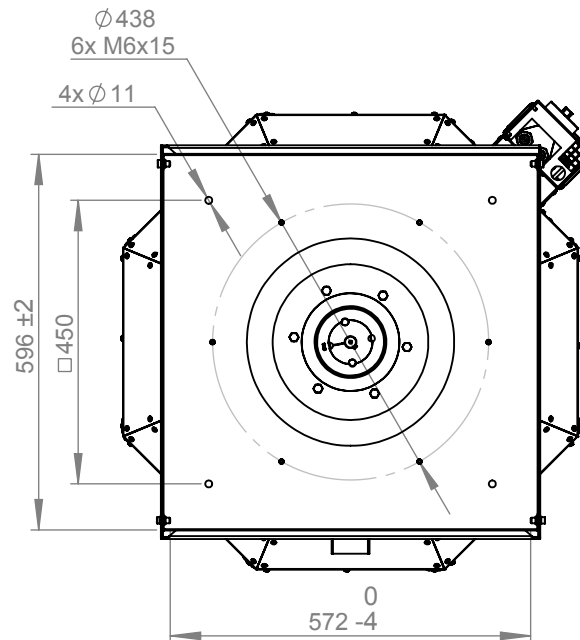
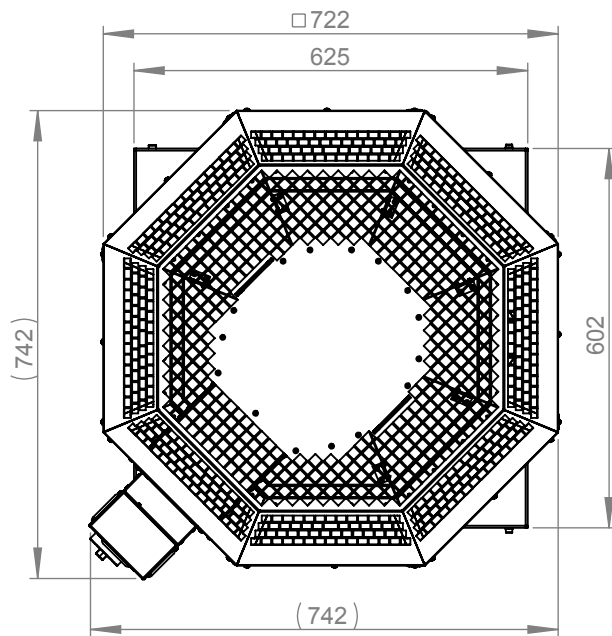
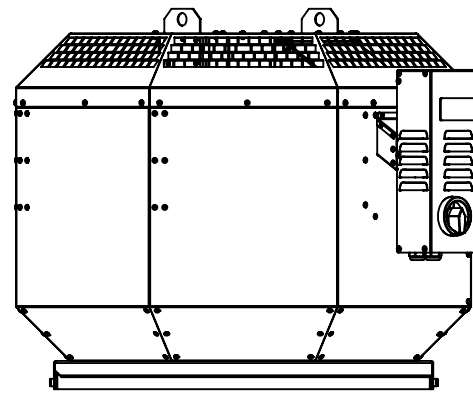
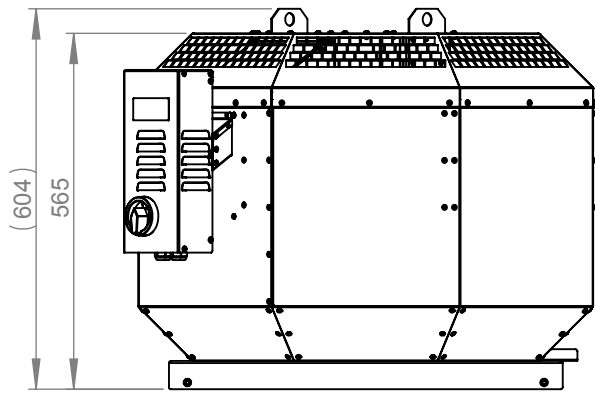
- Max. medium temperature 120°C
- EC-motor outside of air stream
- Speed controllable
- Swing-out fan unit
- Drain tray
- Housing made of aluminium AlMg3

— ErP compliant range

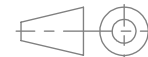
Operating Point		1	2	3	4	5
Current I	A	3,0	5,3	8,3	7,8	6,2
Power consumption P ₁	W	382	738	1183	1106	873
Rotation speed n	1/min	2000	2001	2001	2001	2000
SWL inlet L _{WA5}	dB(A)	80	79	78	83	86
SWL outlet L _{WA6}	dB(A)	84	83	84	88	90
SWL housing break out L _{WA2}	dB(A)	-	-	-	-	-

Sound power (L _W) dB(A)		Medium Frequency Band								
		Σ	63	125	250	500	1k	2k	4k	8k
Inlet	L _{WA5}	78	49	60	71	73	71	70	67	60
Outlet	L _{WA6}	84	53	64	77	79	78	74	71	64
Housing radiation	L _{WA2}	-	-	-	-	-	-	-	-	-

DVN 400 EC 30 142186	
Voltage U _N	230 V 1~
Current I _{max}	8,8 A
Ambient temperature t _A	50 °C
Conveyed medium temperature t _M	120 °C
Speed Control	0-10V
Motor protection	TEC
Insulation class motor	F
Weight	50,4 kg
Number of poles	-
IP motor	IP54
IP terminal box	-
IP complete unit	-
Min. operating temperature	-20 °C



ruck^{eu}
VENTILATOREN
ruck Ventilatoren
Max-Planck-Str. 5
D-97944 Boxberg



Protection Mark
according to ISO 16016

Created d.ursu
Drawn d.ursu
Released d.ursu
Disabled

1:12 A4 mm

General tolerances
DIN ISO 2768-c

12.04.2018
12.04.2018
06.08.2018

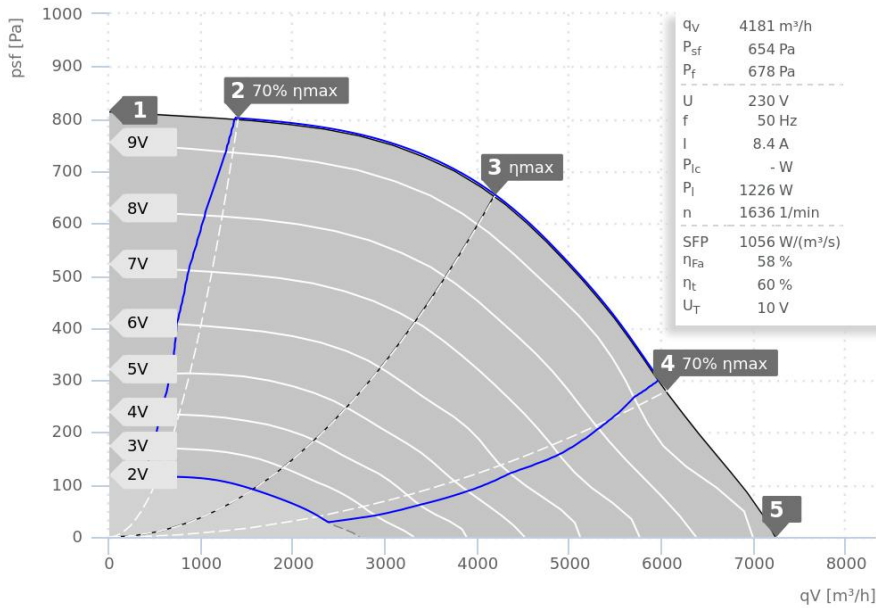
DVN400EC30

142186 01

VENTAS
VENTILATORER

DATA SHEET

DVN 450 EC 30 | 144001



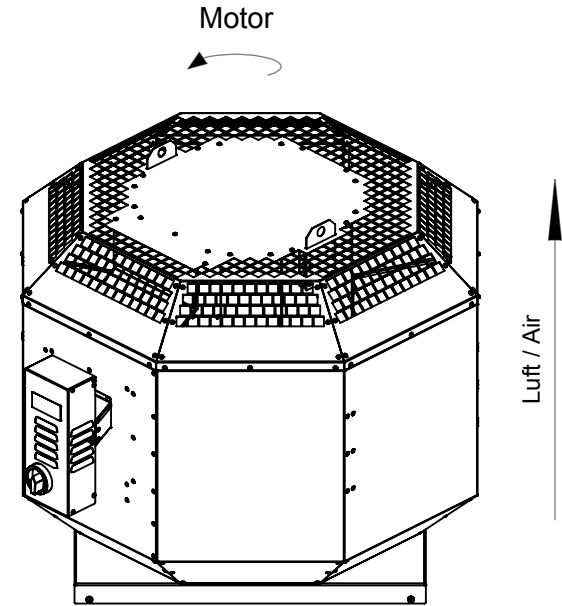
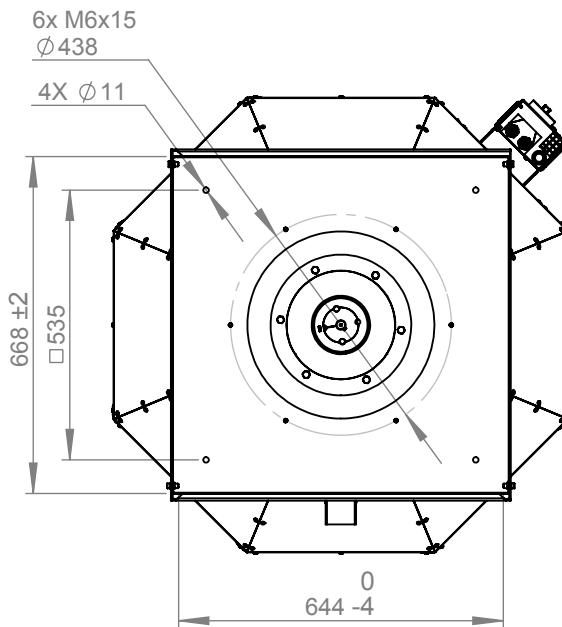
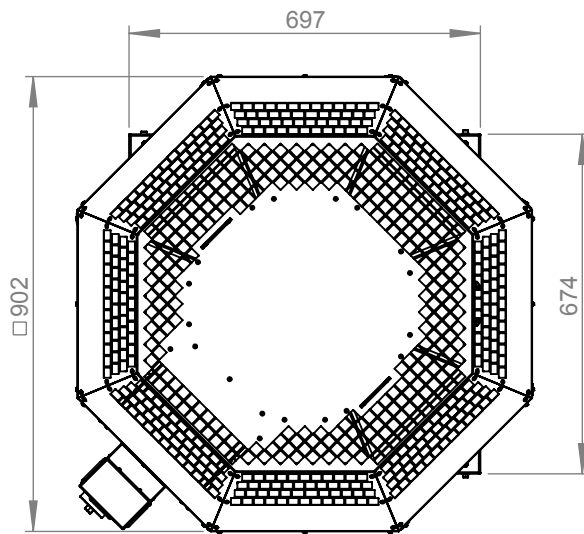
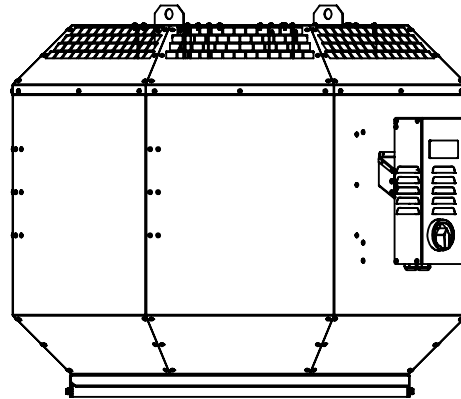
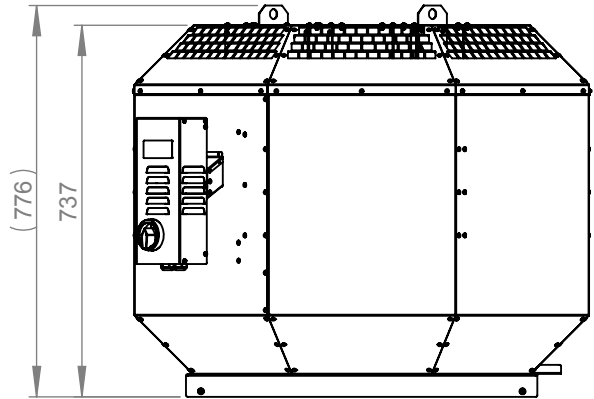
- Max. medium temperature 120°C
- EC-motor outside of air stream
- Speed controllable
- Swing-out fan unit
- Drain tray
- Housing made of aluminium AlMg3

— ErP compliant range

Operating Point		1	2	3	4	5
Current I	A	2,9	5,1	8,4	7,4	6,2
Power consumption P _i	W	340	722	1228	1084	889
Rotation speed n	1/min	1629	1641	1637	1640	1641
SWL inlet L _{WA5}	dB(A)	80	78	82	85	86
SWL outlet L _{WA6}	dB(A)	82	81	81	85	87
SWL housing break out L _{WA2}	dB(A)	-	-	-	-	-

Sound power (L _W) dB(A)		Medium Frequency Band								
		Σ	63	125	250	500	1k	2k	4k	8k
Inlet	L _{WA5}	82	48	59	72	75	72	78	71	62
Outlet	L _{WA6}	81	50	63	76	75	75	73	69	61
Housing radiation	L _{WA2}	-	-	-	-	-	-	-	-	-

DVN 450 EC 30 144001	
Voltage U _N	230 V 1~
Current I _{max}	8,9 A
Ambient temperature t _A	50 °C
Conveyed medium temperature t _M	120 °C
Speed Control	0-10V
Motor protection	TEC
Insulation class motor	F
Weight	82,5 kg
Number of poles	-
IP motor	IP54
IP terminal box	-
IP complete unit	-
Min. operating temperature	-20 °C



ruck^{eu}
VENTILATOREN
ruck Ventilatoren
Max-Planck-Str. 5
D-97944 Boxberg



Protection Mark
according to ISO 16016

Created d.ursu
Drawn d.ursu
Released d.ursu
Disabled

1:15 A4 mm

General tolerances
DIN ISO 2768-c

27.07.2018
27.07.2018
27.07.2018

DVN450EC30+

144001 00

VENTAS
VENTILATORER