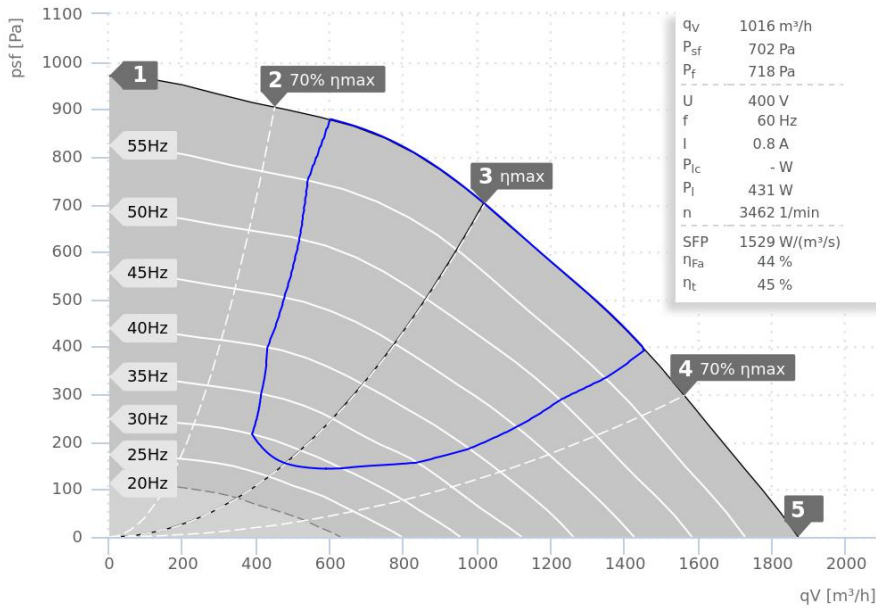


DATA SHEET

DVN 225 D2 30 | 144875



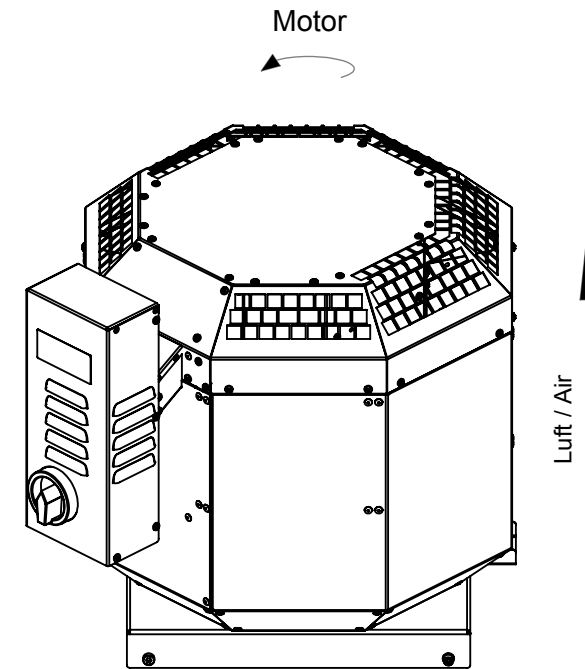
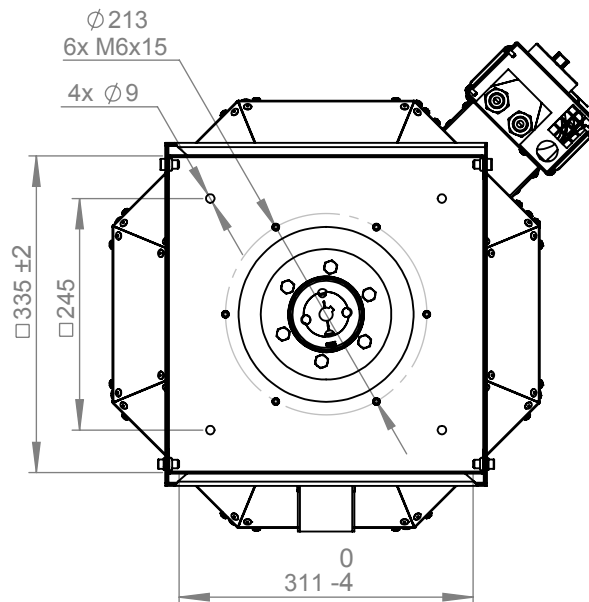
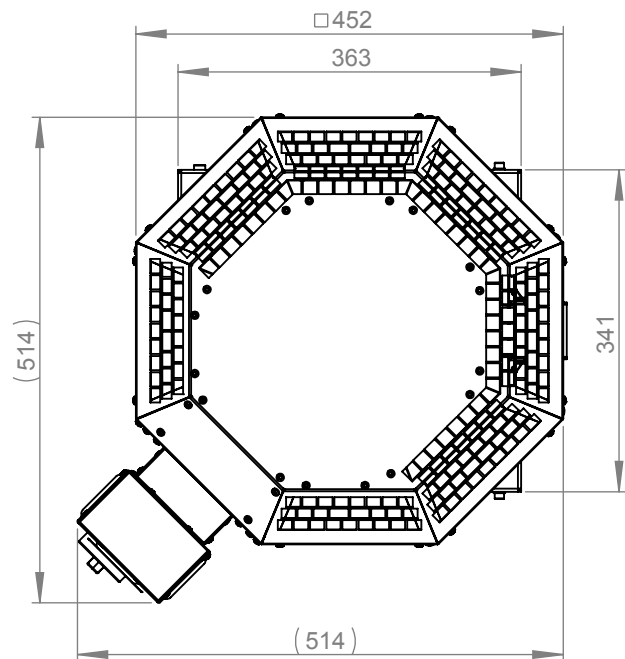
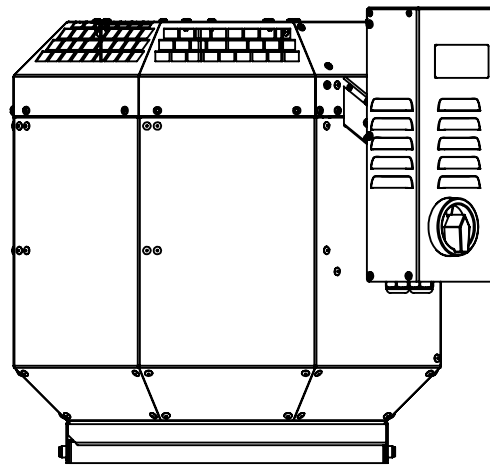
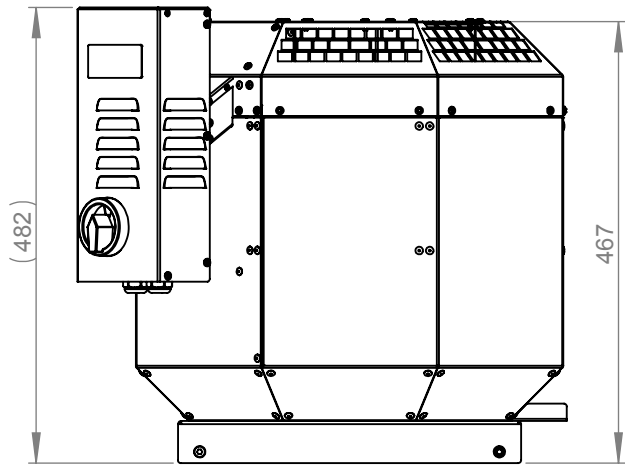
- Max. medium temperature 120°C
- Motor outside of air stream
- Swing-out fan unit
- Speed controllable
- Drain tray
- Star-Delta operation possible
- Star: direct 400V 3~ grid or frequency converter with 400V output
- Delta: direct 230V 3~ grid or frequency converter with 230V 1~ input and 230V 3~ output

— ErP compliant range

Operating Point		1	2	3	4	5
Current I	A	0,5	0,7	0,8	0,7	0,7
Power consumption P _l	W	210	362	432	400	342
Rotation speed n	1/min	3539	3486	3464	3477	3500
SWL inlet L _{WA5}	dB(A)	79	78	77	82	84
SWL outlet L _{WA6}	dB(A)	81	80	80	86	87
SWL housing break out L _{WA2}	dB(A)	-	-	-	-	-

Sound power (L _W) dB(A)		Medium Frequency Band								
		Σ	63	125	250	500	1k	2k	4k	8k
Inlet	L _{WA5}	77	47	59	64	70	73	69	66	62
Outlet	L _{WA6}	80	48	62	67	78	73	71	66	60
Housing radiation	L _{WA2}	-	-	-	-	-	-	-	-	-

DVN 225 D2 30 144875	
Voltage U _N	400 V 3~
Current I _{max}	0,8 A
Ambient temperature t _A	50 °C
Conveyed medium temperature t _M	120 °C
Speed Control	f
Motor protection	-
Insulation class motor	F
Weight	28,5 kg
Number of poles	2
IP motor	IP55
IP terminal box	-
IP complete unit	-
Min. operating temperature	-20 °C



Protection Mark according to ISO 16016
 Created d.ursu
 Drawn d.ursu
 Released d.ursu
 Disabled

1:8 A4 mm

General tolerances according to DIN ISO 2768-c

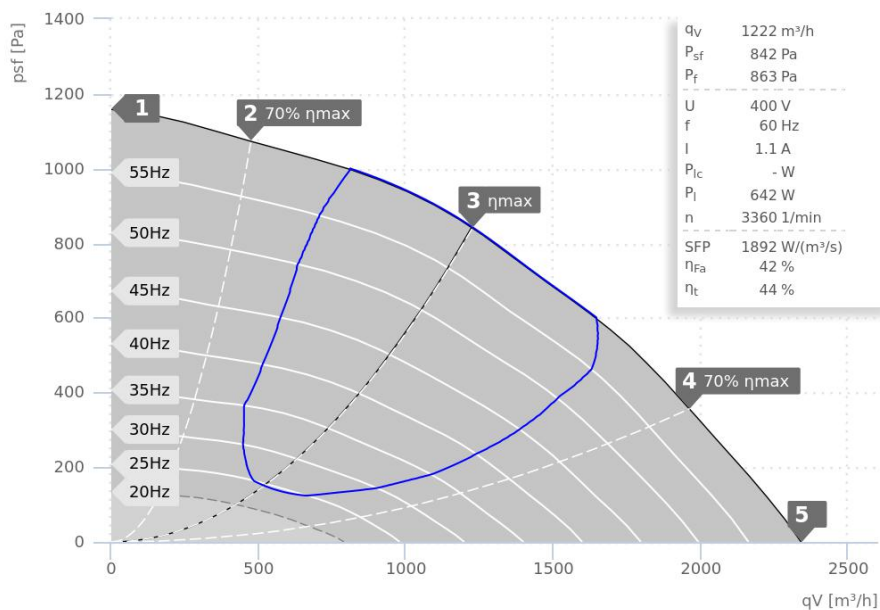
DVN225D230

144875 01



DATA SHEET

DVN 250 D2 30 | 144876



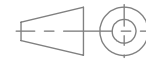
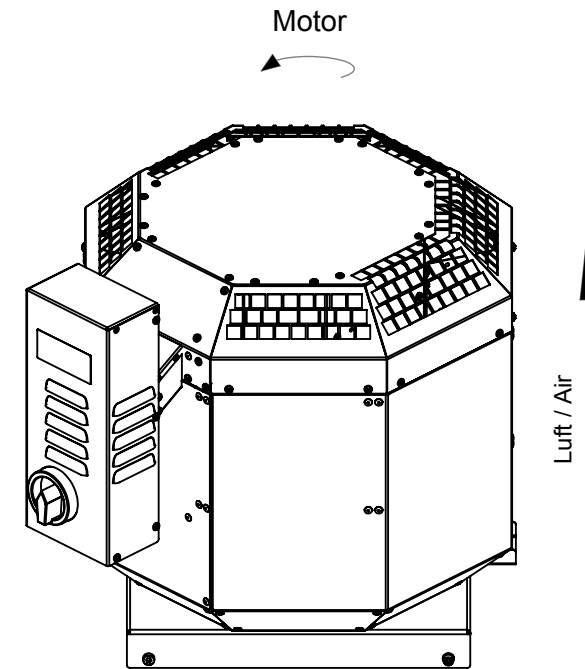
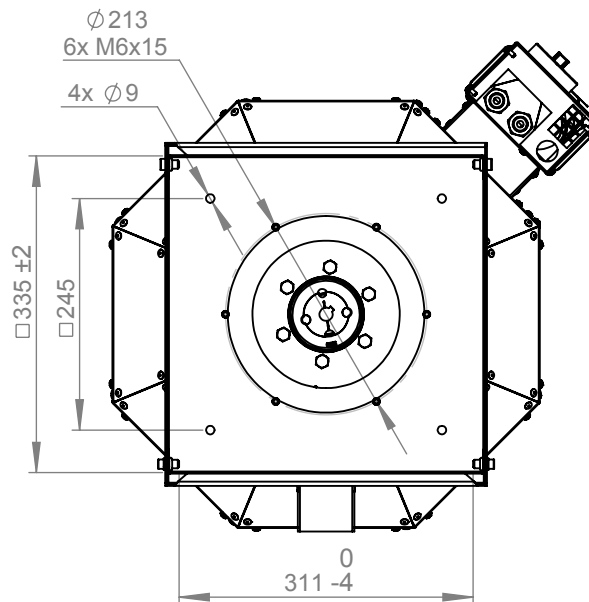
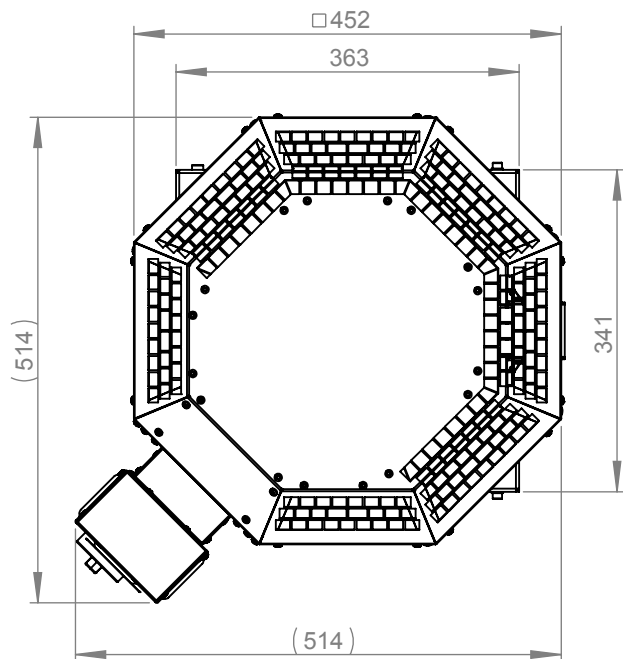
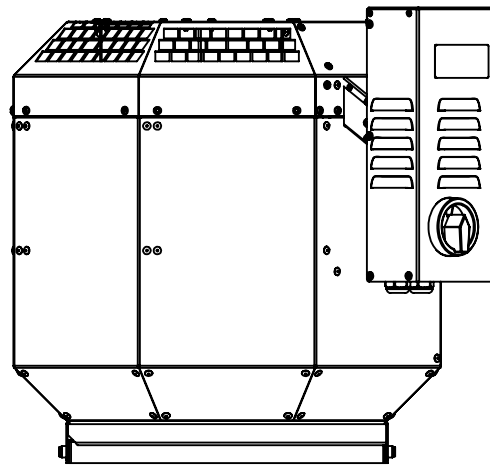
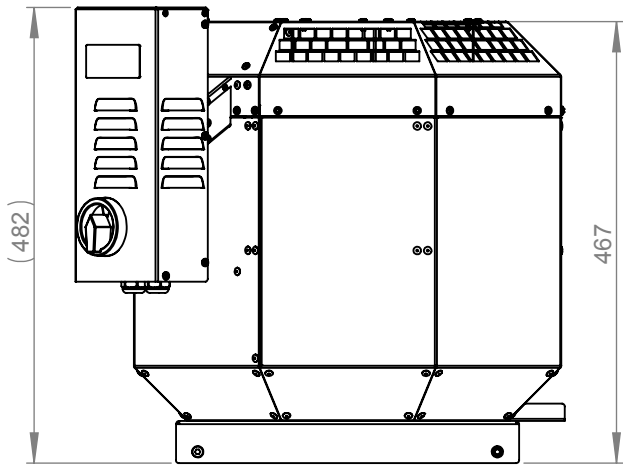
- Max. medium temperature 120°C
- Motor outside of air stream
- Swing-out fan unit
- Speed controllable
- Drain tray
- Star-Delta operation possible
- Star: direct 400V 3~ grid or frequency converter with 400V output
- Delta: direct 230V 3~ grid or frequency converter with 230V 1~ input and 230V 3~ output

— ErP compliant range

Operating Point		1	2	3	4	5
Current I	A	0,6	0,8	1,1	1,0	0,9
Power consumption P _i	W	279	466	644	624	543
Rotation speed n	1/min	3508	3432	3363	3379	3421
SWL inlet L _{WA5}	dB(A)	82	82	80	85	87
SWL outlet L _{WA6}	dB(A)	85	85	84	89	91
SWL housing break out L _{WA2}	dB(A)	-	-	-	-	-

Sound power (L _W) dB(A)		Medium Frequency Band								
		Σ	63	125	250	500	1k	2k	4k	8k
Inlet	L _{WA5}	80	51	63	69	73	75	72	72	72
Outlet	L _{WA6}	84	54	66	72	81	77	75	72	69
Housing radiation	L _{WA2}	-	-	-	-	-	-	-	-	-

DVN 250 D2 30 144876	
Voltage U _N	400 V 3~
Current I _{max}	1,1 A
Ambient temperature t _A	50 °C
Conveyed medium temperature t _M	120 °C
Speed Control	f
Motor protection	-
Insulation class motor	F
Weight	28,9 kg
Number of poles	2
IP motor	IP55
IP terminal box	-
IP complete unit	-
Min. operating temperature	-20 °C



Protection Mark according to ISO16016
 Created d.ursu
 Drawn d.ursu
 Released d.ursu
 Disabled

1:8 A4 mm

General tolerances according to DIN ISO 2768-c

13.03.2018
 13.03.2018
 02.07.2018

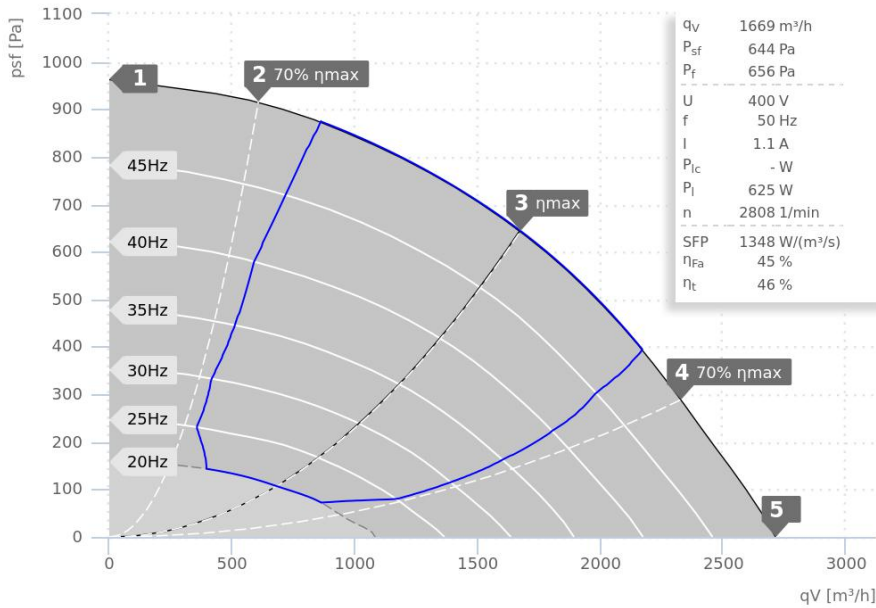
DVN250D230

144876 01



DATA SHEET

DVN 280 D2 30 | 144877



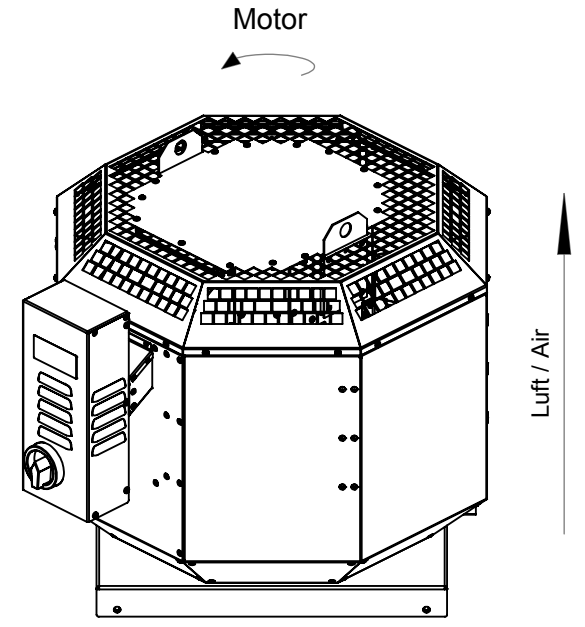
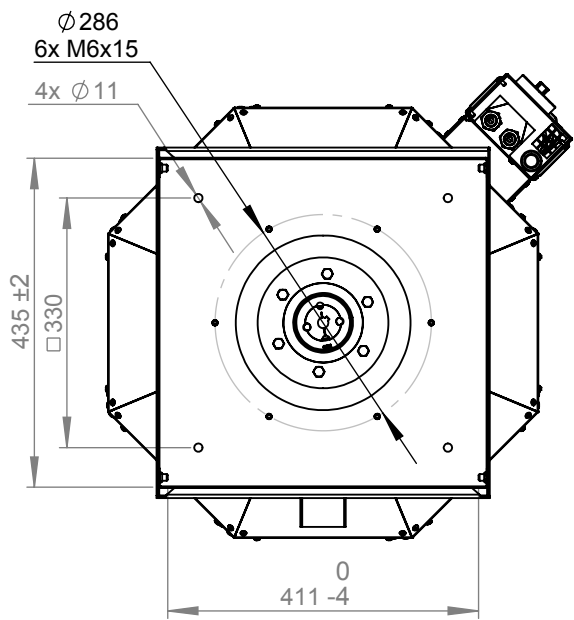
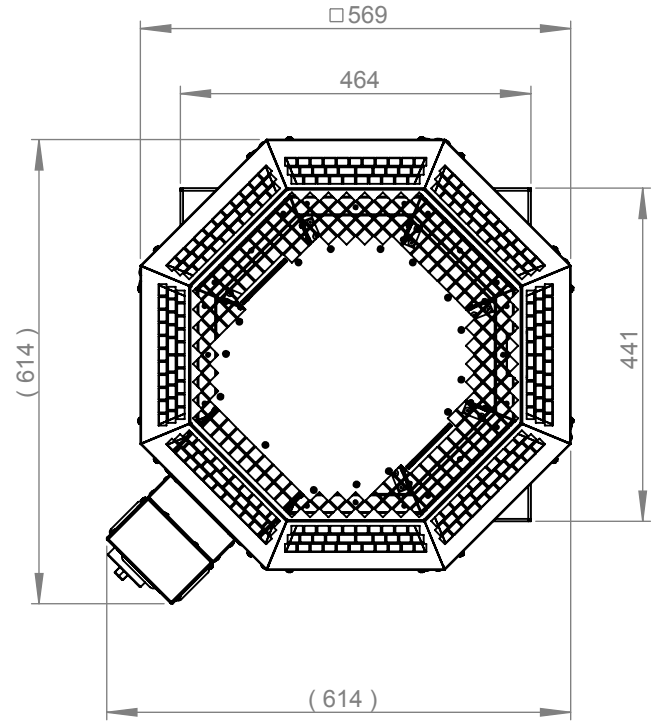
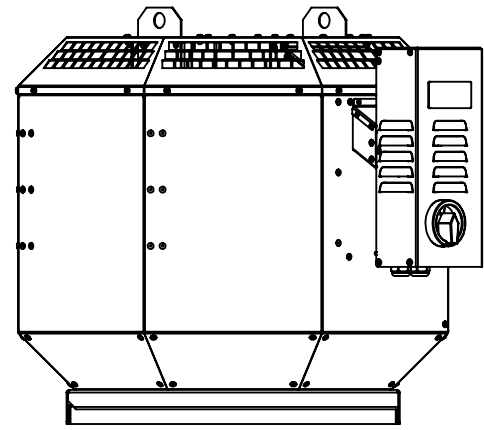
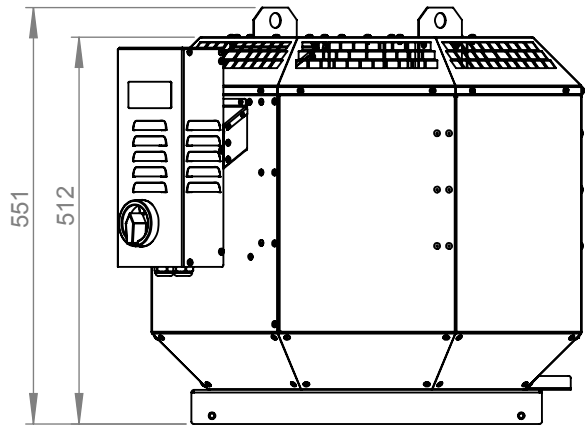
- Max. medium temperature 120°C
- Motor outside of air stream
- Swing-out fan unit
- Speed controllable
- Drain tray
- Star-Delta operation possible
- Star: direct 400V 3~ grid or frequency converter with 400V output
- Delta: direct 230V 3~ grid or frequency converter with 230V 1~ input and 230V 3~ output

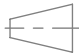

— ErP compliant range

Operating Point		1	2	3	4	5
Current I	A	0,7	0,9	1,1	1,0	0,9
Power consumption P _i	W	256	472	626	554	475
Rotation speed n	1/min	2920	2860	2810	2838	2863
SWL inlet L _{WA5}	dB(A)	80	80	81	84	86
SWL outlet L _{WA6}	dB(A)	83	83	86	89	91
SWL housing break out L _{WA2}	dB(A)	-	-	-	-	-

Sound power (L _W) dB(A)		Medium Frequency Band								
		Σ	63	125	250	500	1k	2k	4k	8k
Inlet	L _{WA5}	81	51	62	72	76	73	71	72	69
Outlet	L _{WA6}	86	52	64	81	79	80	77	71	67
Housing radiation	L _{WA2}	-	-	-	-	-	-	-	-	-

DVN 280 D2 30 144877	
Voltage U _N	400 V 3~
Current I _{max}	1,1 A
Ambient temperature t _A	50 °C
Conveyed medium temperature t _M	120 °C
Speed Control	f
Motor protection	-
Insulation class motor	F
Weight	34,5 kg
Number of poles	2
IP motor	IP55
IP terminal box	-
IP complete unit	-
Min. operating temperature	-20 °C





 1:10 A4 mm
 Protection Mark according to ISO16016
 General tolerances DIN ISO 2768-c
 Created d.ursu 02.04.2018
 Drawn d.ursu 02.04.2018
 Released a.ganea 10.08.2018
 Disabled

DVN280D230

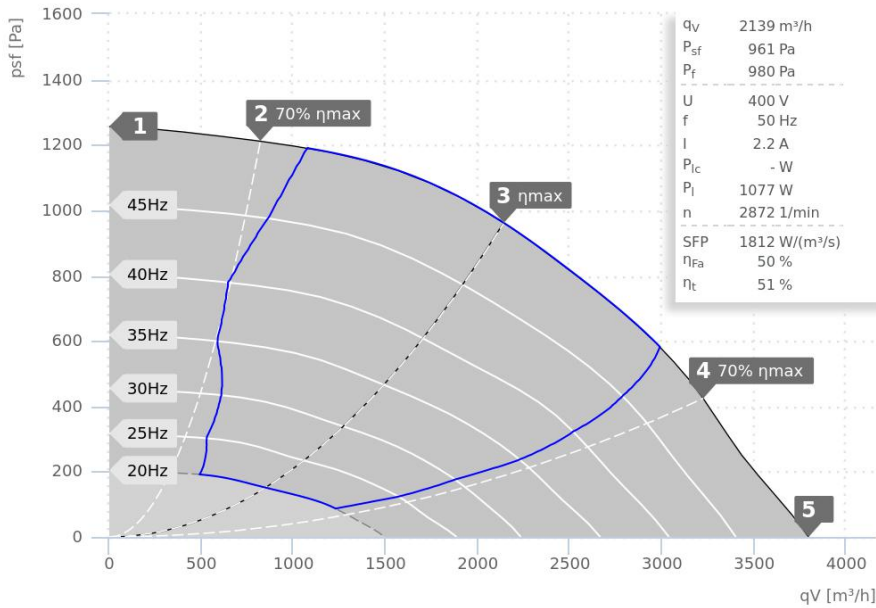
144877 01



DATA SHEET

ruck.eu
VENTILATOREN

DVN 315 D2 30 | 144878



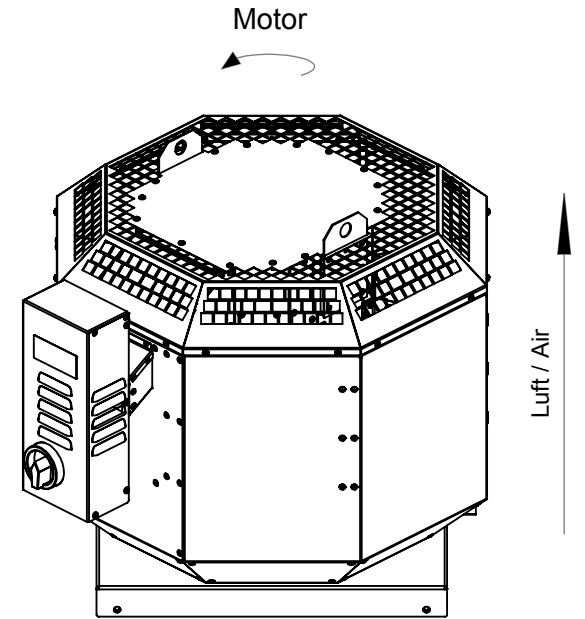
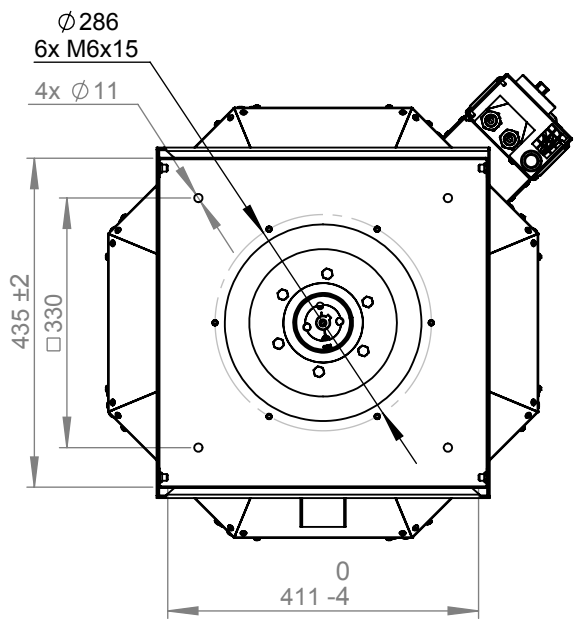
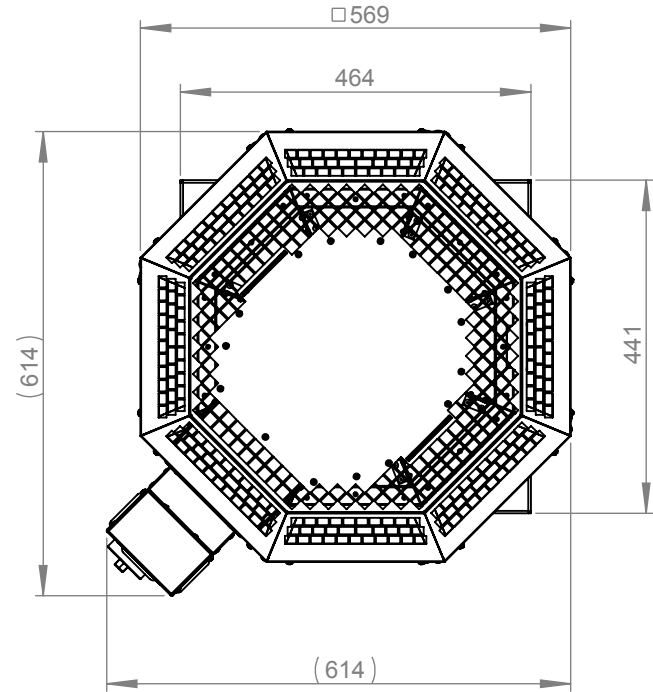
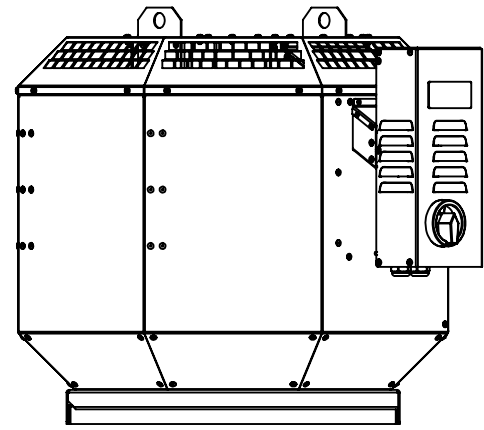
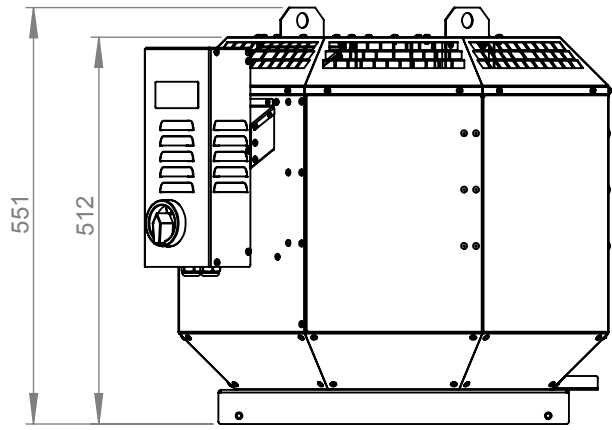
- Max. medium temperature 120°C
- Motor outside of air stream
- Swing-out fan unit
- Speed controllable
- Drain tray
- Star-Delta operation possible
- Star: direct 400V 3~ grid or frequency converter with 400V output
- Delta: direct 230V 3~ grid or frequency converter with 230V 1~ input and 230V 3~ output

— ErP compliant range

Operating Point		1	2	3	4	5
Current I	A	1,6	1,8	2,2	2,1	1,9
Power consumption P _i	W	448	748	1077	1015	835
Rotation speed n	1/min	2949	2913	2872	2883	2914
SWL inlet L _{WA5}	dB(A)	84	83	81	87	89
SWL outlet L _{WA6}	dB(A)	86	86	86	91	94
SWL housing break out L _{WA2}	dB(A)	-	-	-	-	-

Sound power (L _W) dB(A)		Medium Frequency Band								
		Σ	63	125	250	500	1k	2k	4k	8k
Inlet	L _{WA5}	81	52	62	74	76	74	74	72	66
Outlet	L _{WA6}	86	56	65	83	79	79	77	73	66
Housing radiation	L _{WA2}	-	-	-	-	-	-	-	-	-

DVN 315 D2 30 144878	
Voltage U _N	400 V 3~
Current I _{max}	2,3 A
Ambient temperature t _A	50 °C
Conveyed medium temperature t _M	120 °C
Speed Control	f
Motor protection	-
Insulation class motor	F
Weight	39,5 kg
Number of poles	2
IP motor	IP55
IP terminal box	-
IP complete unit	-
Min. operating temperature	-20 °C



Protection Mark according to ISO16016
 Created d.ursu
 Drawn d.ursu
 Released a.ganea
 Disabled

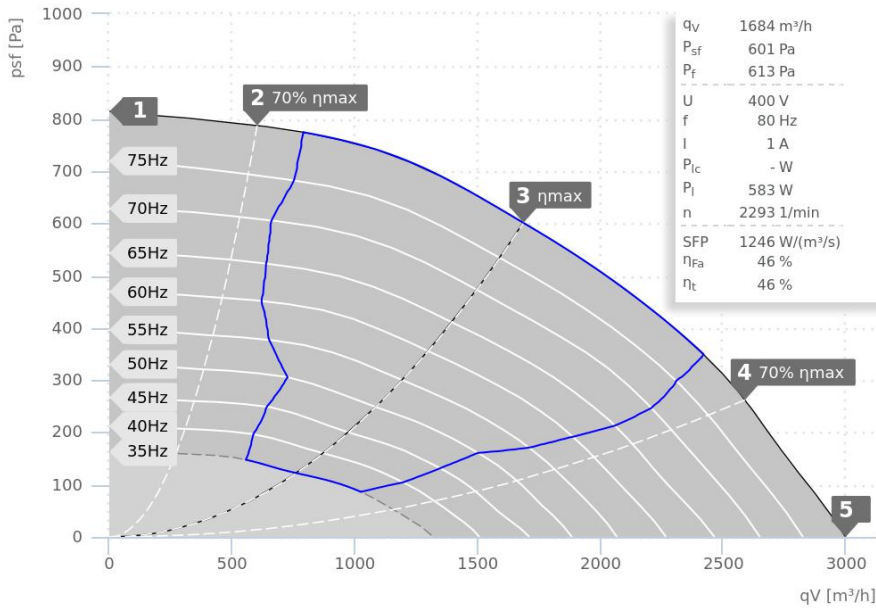
1:10 A4 mm
 General tolerances according to DIN ISO 2768-c
 04.04.2018
 04.04.2018
 10.08.2018

DVN315D230
144878 01



DATA SHEET

DVN 315 D4 30 | 144879



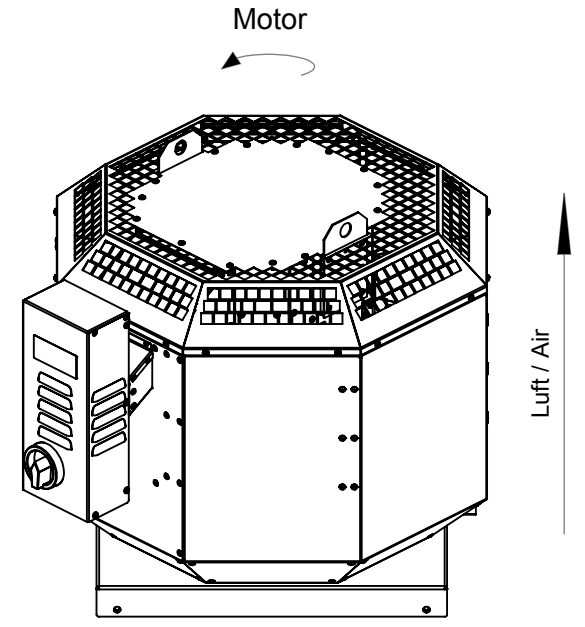
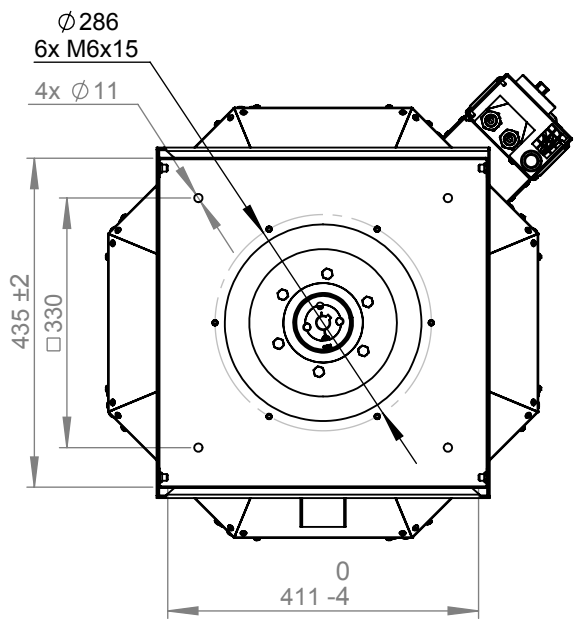
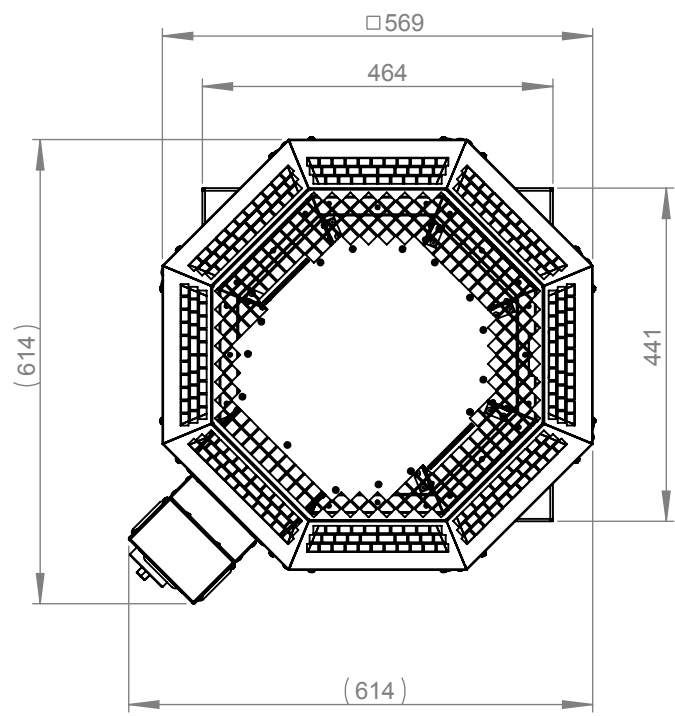
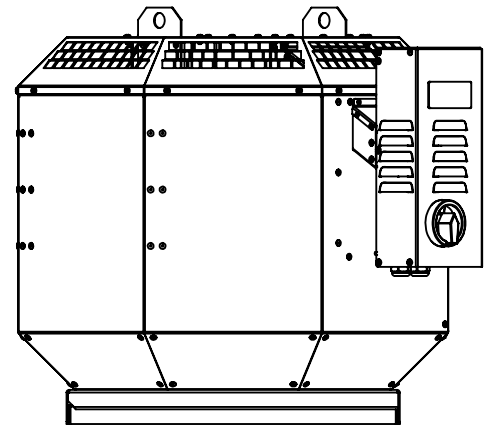
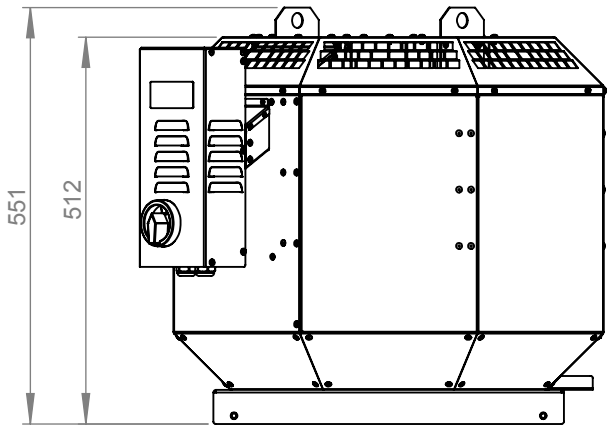
- Max. medium temperature 120°C
- Motor outside of air stream
- Swing-out fan unit
- Speed controllable
- Drain tray
- Star-Delta operation possible
- Star: direct 400V 3~ grid or frequency converter with 400V output
- Delta: direct 230V 3~ grid or frequency converter with 230V 1~ input and 230V 3~ output

— ErP compliant range

Operating Point		1	2	3	4	5
Current I	A	0,5	0,7	1,0	0,9	0,8
Power consumption P ₁	W	241	395	583	551	461
Rotation speed n	1/min	2357	2330	2294	2303	2323
SWL inlet L _{WA5}	dB(A)	77	77	75	80	83
SWL outlet L _{WA6}	dB(A)	80	80	79	84	86
SWL housing break out L _{WA2}	dB(A)	-	-	-	-	-

Sound power (L _W) dB(A)		Medium Frequency Band								
		Σ	63	125	250	500	1k	2k	4k	8k
Inlet	L _{WA5}	75	47	57	66	70	68	67	65	59
Outlet	L _{WA6}	79	49	60	72	75	74	71	65	59
Housing radiation	L _{WA2}	-	-	-	-	-	-	-	-	-

DVN 315 D4 30 144879	
Voltage U _N	400 V 3~
Current I _{max}	1,0 A
Ambient temperature t _A	50 °C
Conveyed medium temperature t _M	120 °C
Speed Control	f
Motor protection	-
Insulation class motor	F
Weight	39,0 kg
Number of poles	4
IP motor	IP55
IP terminal box	-
IP complete unit	-
Min. operating temperature	-20 °C



Protection Mark according to ISO16016
Created d.ursu
Drawn d.ursu
Released a.ganea
Disabled

1:10 A4 mm
General tolerances according to DIN ISO 2768-c
04.04.2018
04.04.2018
10.08.2018

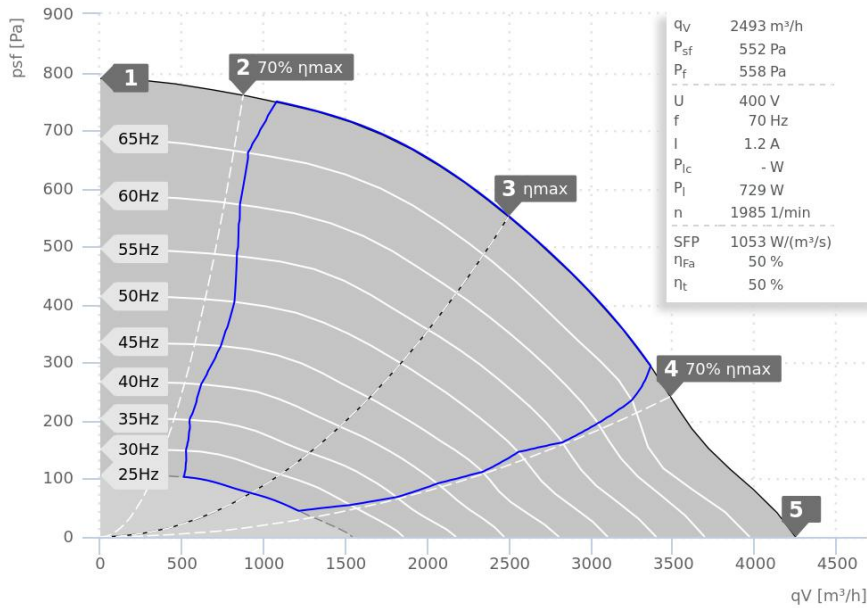
DVN315D430
144879 01



DATA SHEET

ruck.eu
VENTILATOREN

DVN 355 D4 30 | 144880



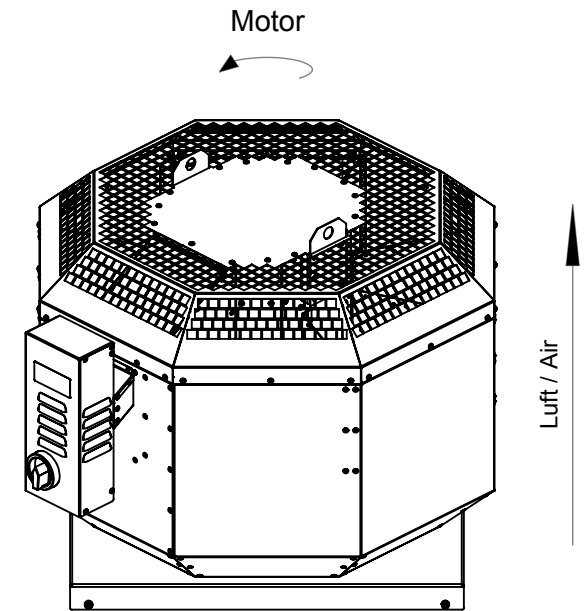
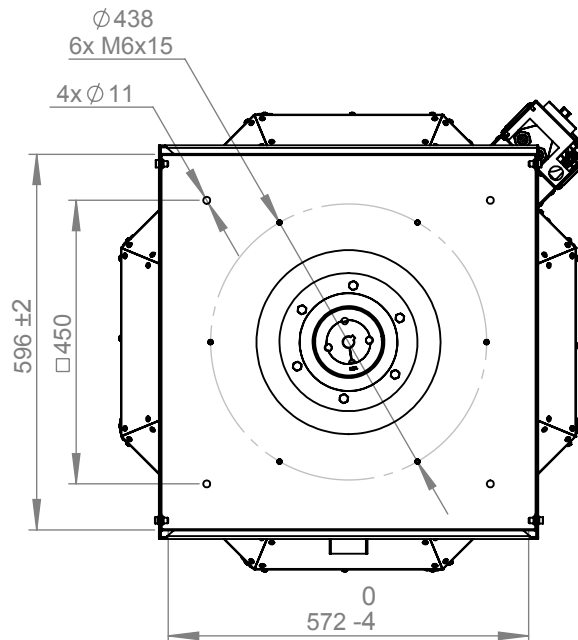
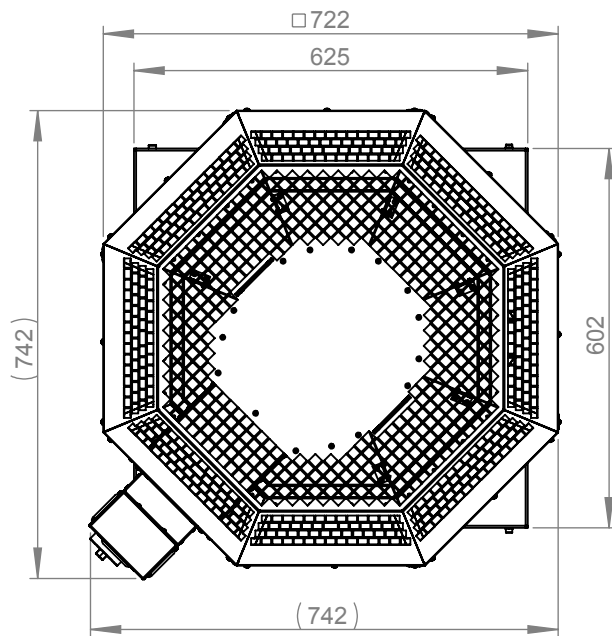
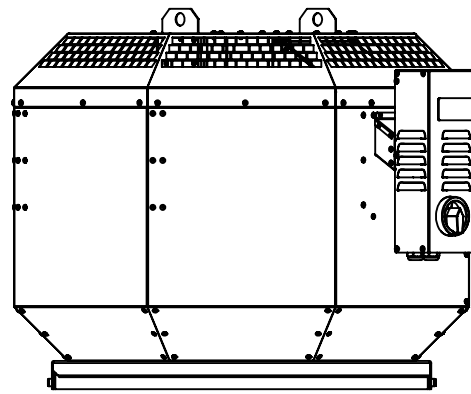
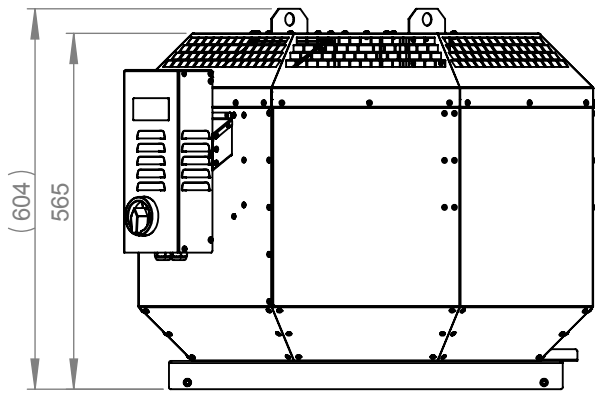
- Max. medium temperature 120°C
- Motor outside of air stream
- Swing-out fan unit
- Speed controllable
- Drain tray
- Star-Delta operation possible
- Star: direct 400V 3~ grid or frequency converter with 400V output
- Delta: direct 230V 3~ grid or frequency converter with 230V 1~ input and 230V 3~ output

— ErP compliant range

Operating Point		1	2	3	4	5
Current I	A	0,6	0,9	1,2	1,1	0,9
Power consumption P _i	W	282	506	731	634	525
Rotation speed n	1/min	2058	2020	1986	2007	2026
SWL inlet L _{WA5}	dB(A)	77	76	75	79	81
SWL outlet L _{WA6}	dB(A)	80	79	78	82	85
SWL housing break out L _{WA2}	dB(A)	-	-	-	-	-

Sound power (L _w) dB(A)		Medium Frequency Band								
		Σ	63	125	250	500	1k	2k	4k	8k
Inlet	L _{WA5}	75	43	53	64	68	66	71	65	60
Outlet	L _{WA6}	78	46	57	70	73	72	71	66	61
Housing radiation	L _{WA2}	-	-	-	-	-	-	-	-	-

DVN 355 D4 30 144880	
Voltage U _N	400 V 3~
Current I _{max}	1,3 A
Ambient temperature t _A	50 °C
Conveyed medium temperature t _M	120 °C
Speed Control	f
Motor protection	-
Insulation class motor	F
Weight	48,1 kg
Number of poles	4
IP motor	IP55
IP terminal box	-
IP complete unit	-
Min. operating temperature	-20 °C



Protection Mark
according to ISO16016

Created d.ursu
Drawn d.ursu
Released d.ursu
Disabled

1:12 A4 mm

General tolerances
DIN ISO 2768-c

11.04.2018
11.04.2018
06.08.2018

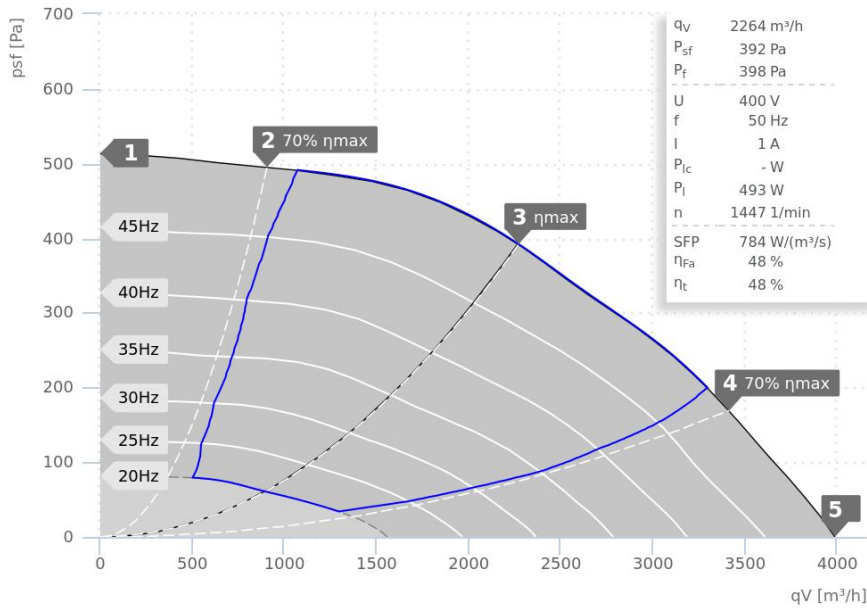
DVN355D430

144880 01



DATA SHEET

DVN 400 D4 30 | 144881



— ErP compliant range

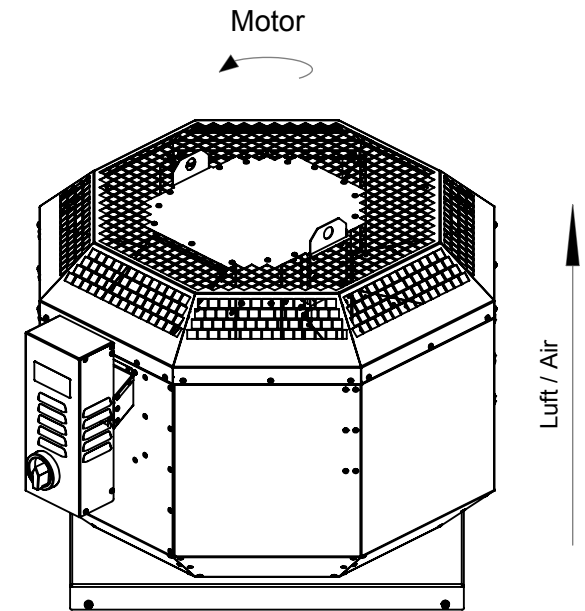
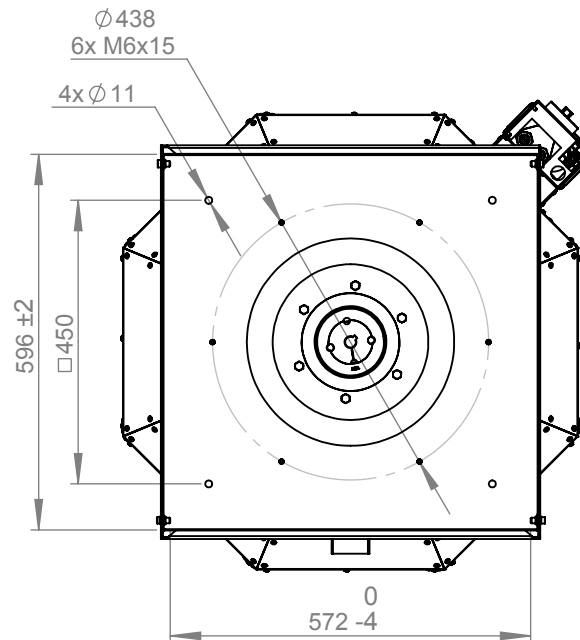
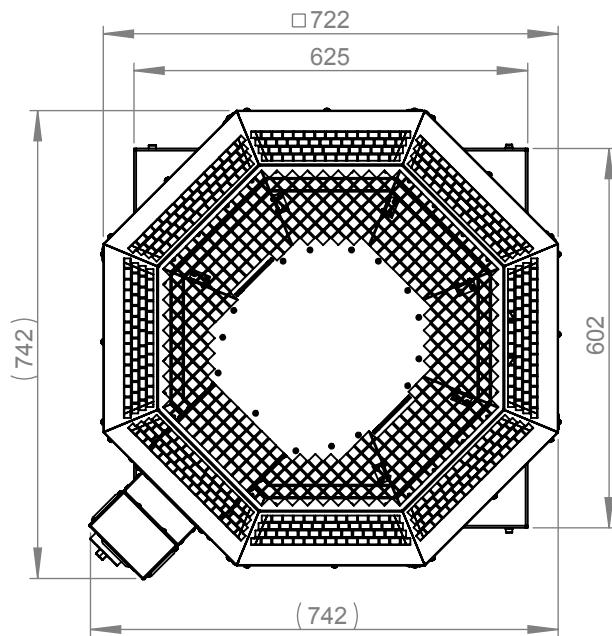
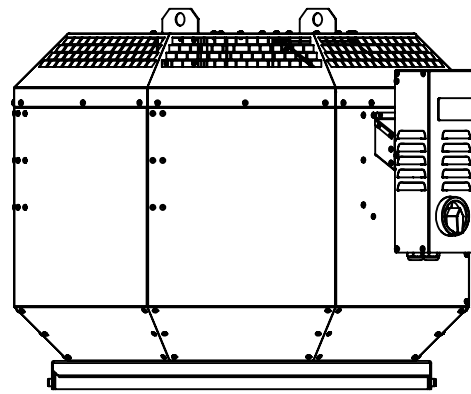
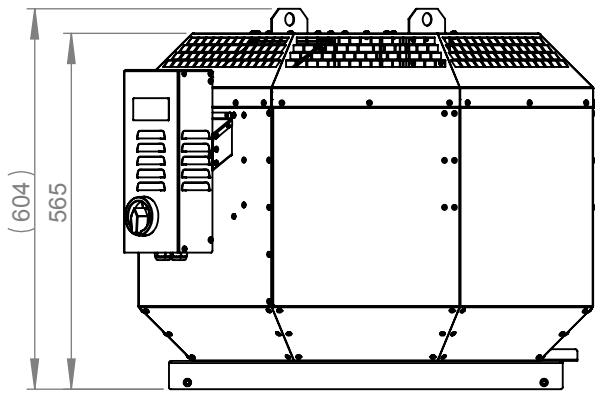


- Max. medium temperature 120°C
- Motor outside of air stream
- Swing-out fan unit
- Speed controllable
- Drain tray
- Star-Delta operation possible
- Star: direct 400V 3~ grid or frequency converter with 400V output
- Delta: direct 230V 3~ grid or frequency converter with 230V 1~ input and 230V 3~ output

Operating Point		1	2	3	4	5
Current I	A	0,8	0,9	1,0	0,9	0,9
Power consumption P ₁	W	213	364	495	453	370
Rotation speed n	1/min	1477	1462	1448	1451	1462
SWL inlet L _{WA5}	dB(A)	76	76	76	78	80
SWL outlet L _{WA6}	dB(A)	77	78	78	80	82
SWL housing break out L _{WA2}	dB(A)	-	-	-	-	-

Sound power (L _W) dB(A)		Medium Frequency Band								
		Σ	63	125	250	500	1k	2k	4k	8k
Inlet	L _{WA5}	76	51	62	65	69	69	69	70	61
Outlet	L _{WA6}	78	51	66	69	71	73	69	68	59
Housing radiation	L _{WA2}	-	-	-	-	-	-	-	-	-

DVN 400 D4 30 144881	
Voltage U _N	400 V 3~
Current I _{max}	1,0 A
Ambient temperature t _A	50 °C
Conveyed medium temperature t _M	120 °C
Speed Control	f
Motor protection	-
Insulation class motor	F
Weight	50,4 kg
Number of poles	4
IP motor	IP55
IP terminal box	-
IP complete unit	-
Min. operating temperature	-20 °C



Protection Mark
according to ISO 16016
Created d.ursu
Drawn d.ursu
Released d.ursu
Disabled

1:12 A4 mm

General tolerances
DIN ISO 2768-c

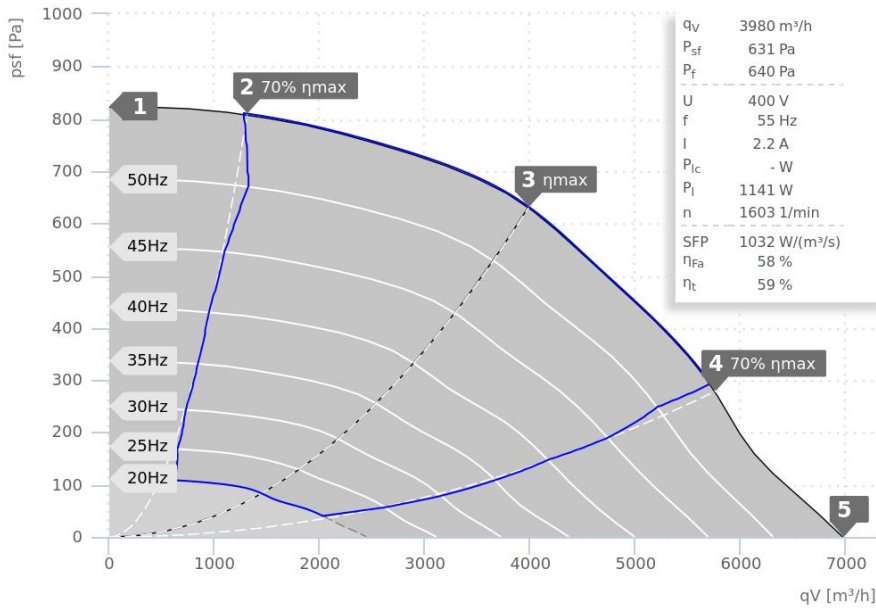
DVN400D430

144881 01



DATA SHEET

DVN 450 D4 30 | 144882



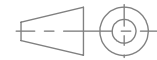
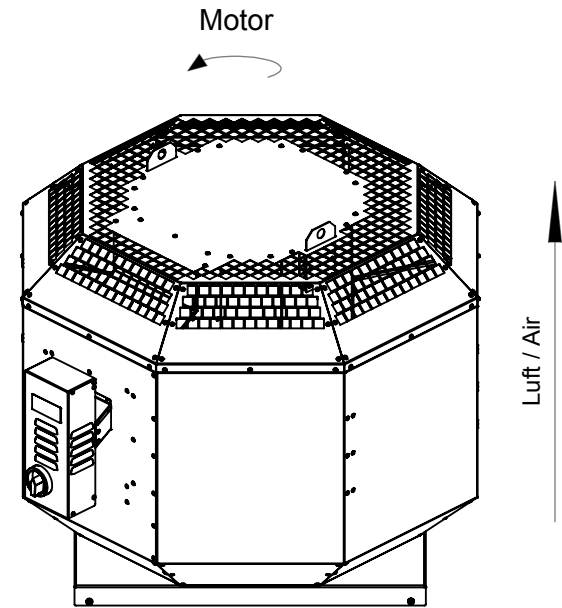
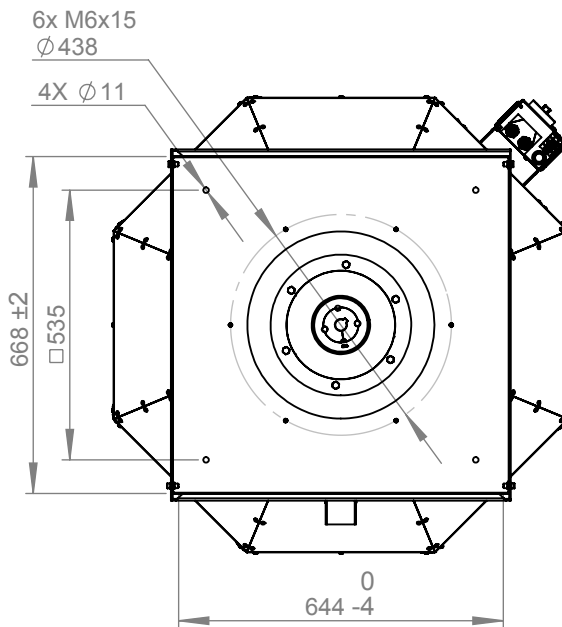
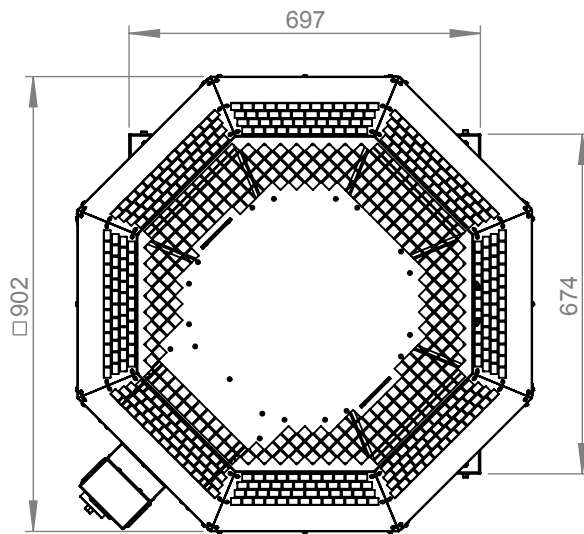
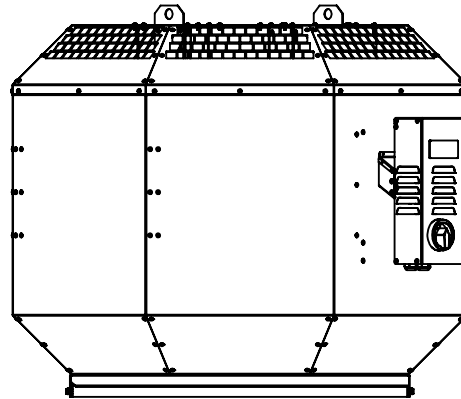
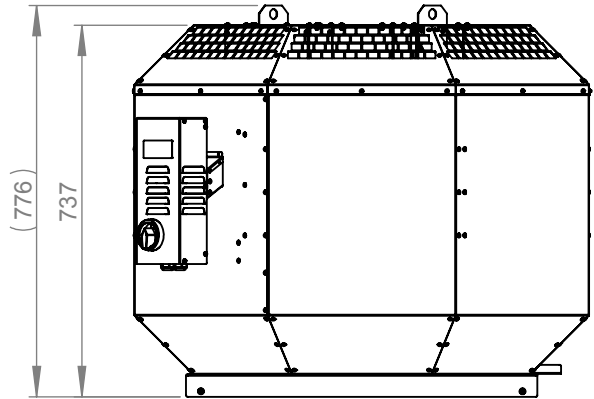
- Max. medium temperature 120°C
- Motor outside of air stream
- Swing-out fan unit
- Speed controllable
- Drain tray
- Star-Delta operation possible
- Star: direct 400V 3~ grid or frequency converter with 400V output
- Delta: direct 230V 3~ grid or frequency converter with 230V 1~ input and 230V 3~ output

— ErP compliant range

Operating Point		1	2	3	4	5
Current I	A	1,4	1,7	2,2	2,1	1,8
Power consumption P _i	W	393	691	1145	1039	859
Rotation speed n	1/min	1631	1623	1606	1613	1620
SWL inlet L _{WA5}	dB(A)	77	77	76	81	84
SWL outlet L _{WA6}	dB(A)	81	81	80	84	87
SWL housing break out L _{WA2}	dB(A)	-	-	-	-	-

Sound power (L _W) dB(A)		Medium Frequency Band								
		Σ	63	125	250	500	1k	2k	4k	8k
Inlet	L _{WA5}	76	41	59	69	70	69	69	66	59
Outlet	L _{WA6}	80	49	63	74	73	74	71	68	60
Housing radiation	L _{WA2}	-	-	-	-	-	-	-	-	-

DVN 450 D4 30 144882	
Voltage U _N	400 V 3~
Current I _{max}	2,3 A
Ambient temperature t _A	50 °C
Conveyed medium temperature t _M	120 °C
Speed Control	f
Motor protection	-
Insulation class motor	F
Weight	82,5 kg
Number of poles	4
IP motor	IP55
IP terminal box	-
IP complete unit	-
Min. operating temperature	-20 °C



1:15 A4 mm

Protection Mark according to ISO16016

General tolerances DIN ISO 2768-c

DVN450D430

Created d.ursu
Drawn d.ursu
Released d.ursu
Disabled

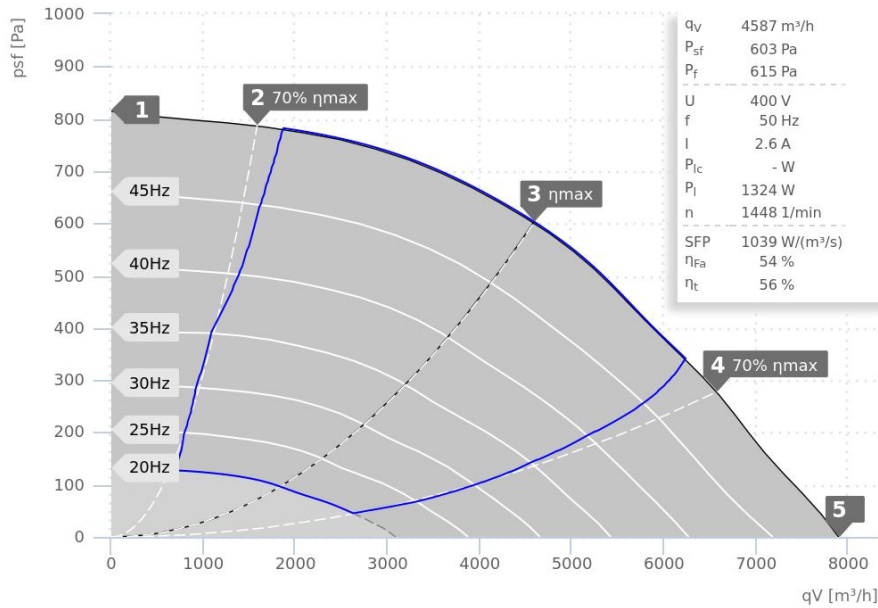
19.04.2018
19.04.2018
26.07.2018

144882 01



DATA SHEET

DVN 500 D4 30 | 144883



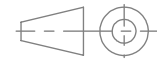
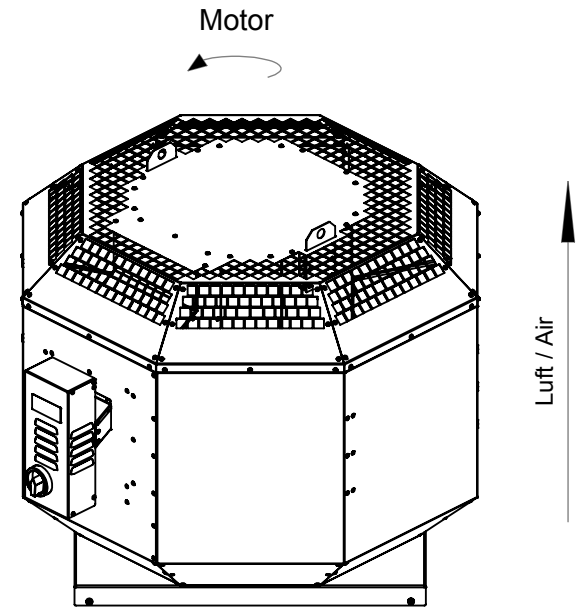
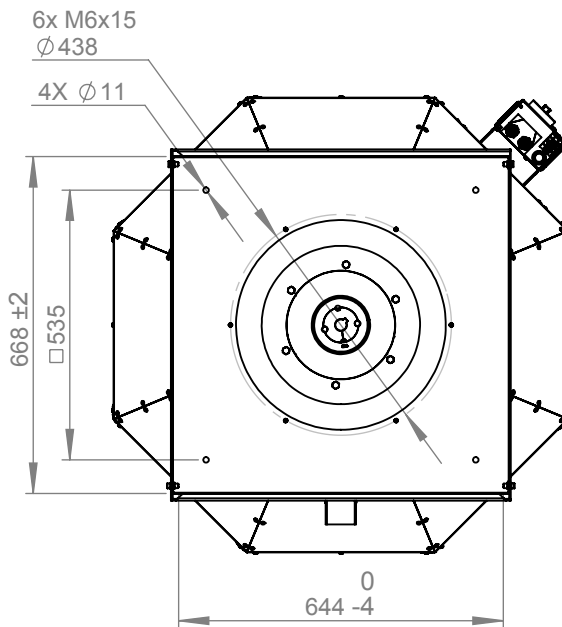
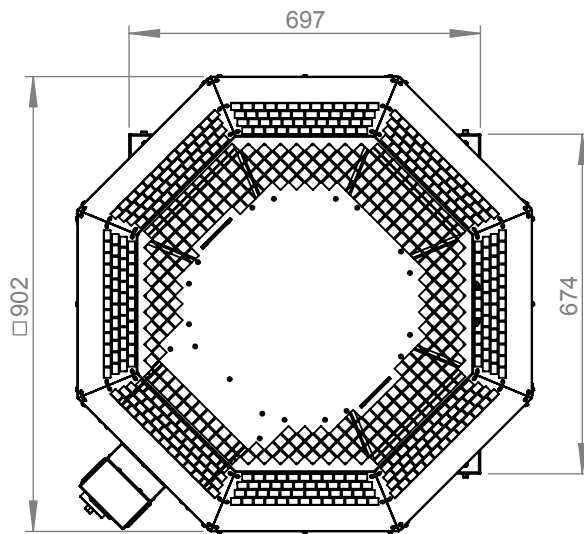
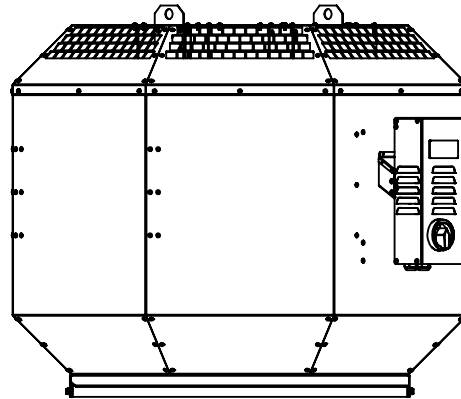
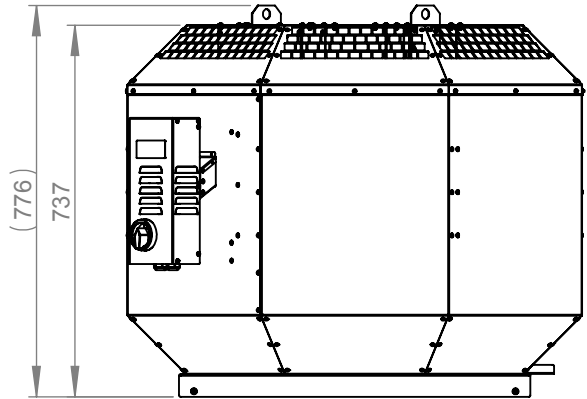
- Max. medium temperature 120°C
- Motor outside of air stream
- Swing-out fan unit
- Speed controllable
- Drain tray
- Star-Delta operation possible
- Star: direct 400V 3~ grid or frequency converter with 400V output
- Delta: direct 230V 3~ grid or frequency converter with 230V 1~ input and 230V 3~ output

— ErP compliant range

Operating Point		1	2	3	4	5
Current I	A	1,7	2,0	2,6	2,5	2,2
Power consumption P _i	W	458	866	1331	1250	999
Rotation speed n	1/min	1476	1469	1451	1457	1464
SWL inlet L _{WA5}	dB(A)	78	77	78	81	84
SWL outlet L _{WA6}	dB(A)	82	81	81	84	87
SWL housing break out L _{WA2}	dB(A)	-	-	-	-	-

Sound power (L _W) dB(A)		Medium Frequency Band								
		Σ	63	125	250	500	1k	2k	4k	8k
Inlet	L _{WA5}	78	46	71	70	70	71	70	65	61
Outlet	L _{WA6}	81	49	72	74	75	76	72	67	60
Housing radiation	L _{WA2}	-	-	-	-	-	-	-	-	-

DVN 500 D4 30 144883	
Voltage U _N	400 V 3~
Current I _{max}	2,7 A
Ambient temperature t _A	50 °C
Conveyed medium temperature t _M	120 °C
Speed Control	f
Motor protection	-
Insulation class motor	F
Weight	83,7 kg
Number of poles	4
IP motor	IP55
IP terminal box	-
IP complete unit	-
Min. operating temperature	-20 °C



1:15 A4 mm

Protection Mark according to ISO16016

General tolerances DIN ISO 2768-c

DVN500D430

Created d.ursu
Drawn d.ursu
Released d.ursu
Disabled

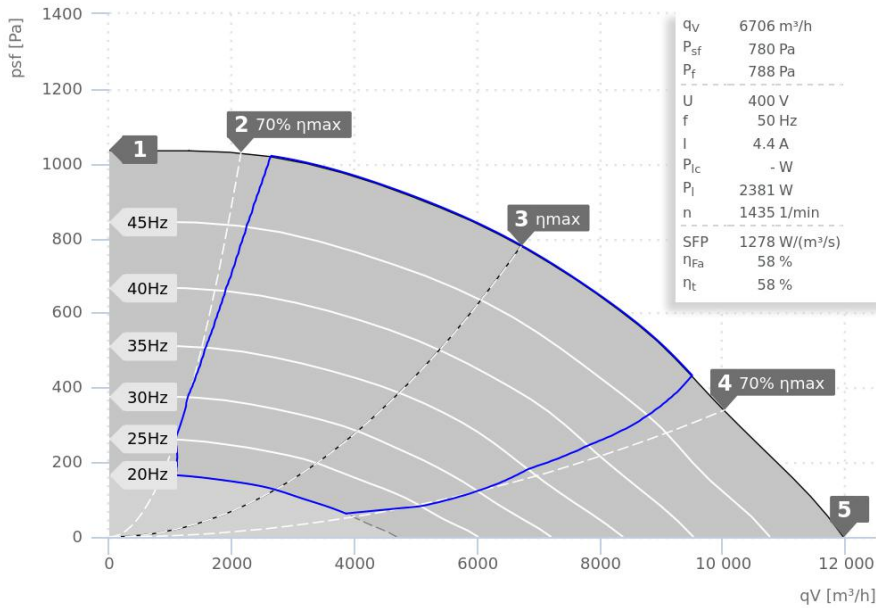
19.04.2018
19.04.2018
26.07.2018

144883 01



DATA SHEET

DVN 560 D4 30 | 144885



— ErP compliant range

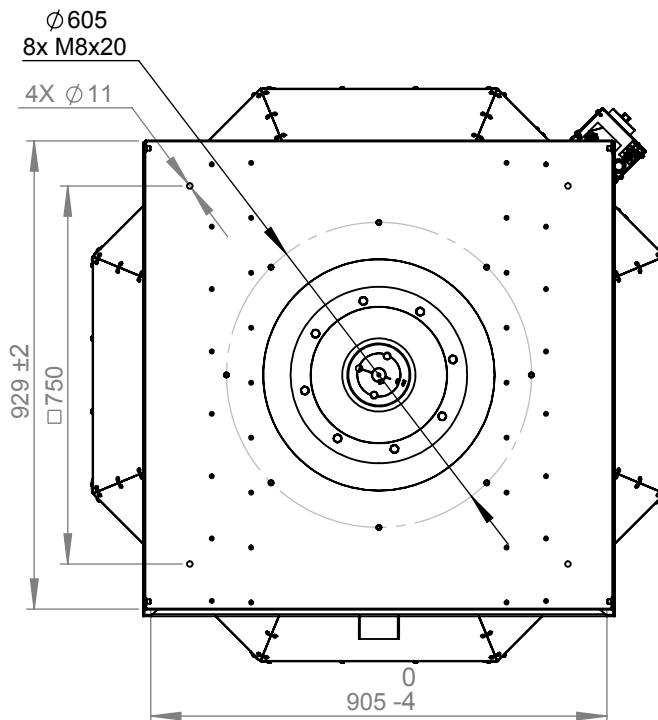
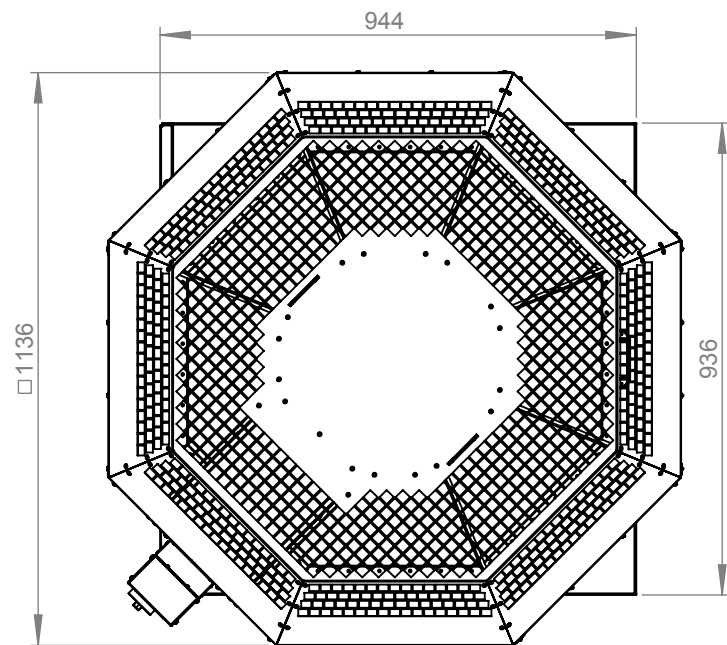
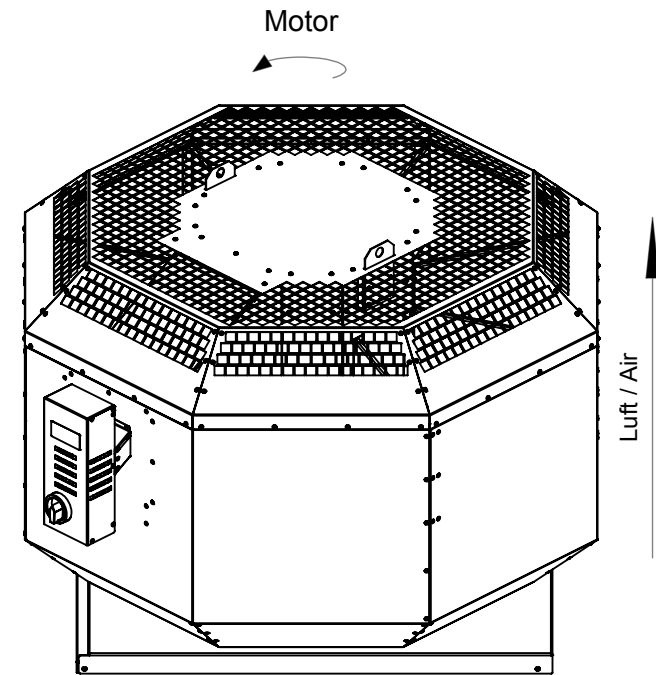
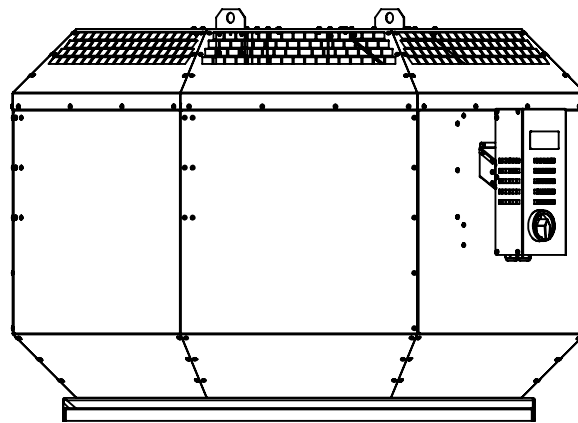
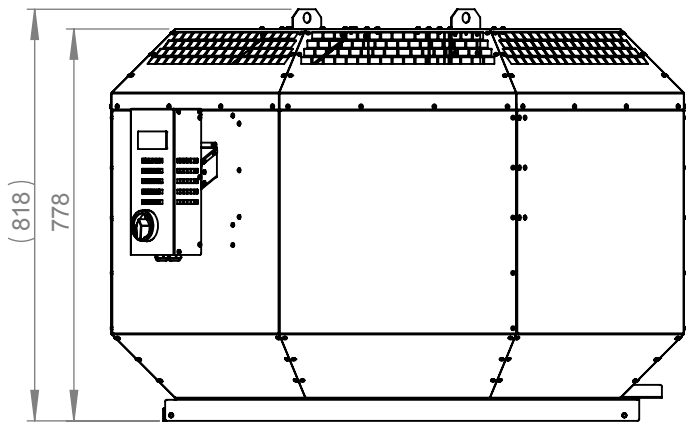


- Max. medium temperature 120°C
- Motor outside of air stream
- Swing-out fan unit
- Speed controllable
- Drain tray
- Star-Delta operation possible
- Star: direct 400V 3~ grid or frequency converter with 400V output
- Delta: direct 230V 3~ grid or frequency converter with 230V 1~ input and 230V 3~ output

Operating Point		1	2	3	4	5
Current I	A	2,6	3,2	4,4	4,2	3,6
Power consumption P ₁	W	827	1451	2391	2204	1793
Rotation speed n	1/min	1472	1459	1437	1446	1458
SWL inlet L _{WA5}	dB(A)	81	81	80	86	88
SWL outlet L _{WA6}	dB(A)	85	84	84	88	91
SWL housing break out L _{WA2}	dB(A)	-	-	-	-	-

Sound power (L _W) dB(A)		Medium Frequency Band								
		Σ	63	125	250	500	1k	2k	4k	8k
Inlet	L _{WA5}	80	47	74	74	72	73	72	67	62
Outlet	L _{WA6}	84	53	78	75	77	77	75	71	64
Housing radiation	L _{WA2}	-	-	-	-	-	-	-	-	-

DVN 560 D4 30 144885	
Voltage U _N	400 V 3~
Current I _{max}	4,7 A
Ambient temperature t _A	50 °C
Conveyed medium temperature t _M	120 °C
Speed Control	f
Motor protection	-
Insulation class motor	F
Weight	127,0 kg
Number of poles	4
IP motor	IP55
IP terminal box	-
IP complete unit	-
Min. operating temperature	-20 °C



ruck
VENTILATOREN
ruck Ventilatoren
Max-Planck-Str. 5
D-97944 Boxberg



Protection Mark
according to ISO 16016

Created d.ursu
Drawn d.ursu
Released d.ursu
Disabled

1:15 A4 mm

General tolerances
DIN ISO 2768-c

30.03.2018
30.03.2018
13.07.2018

DVN560D430

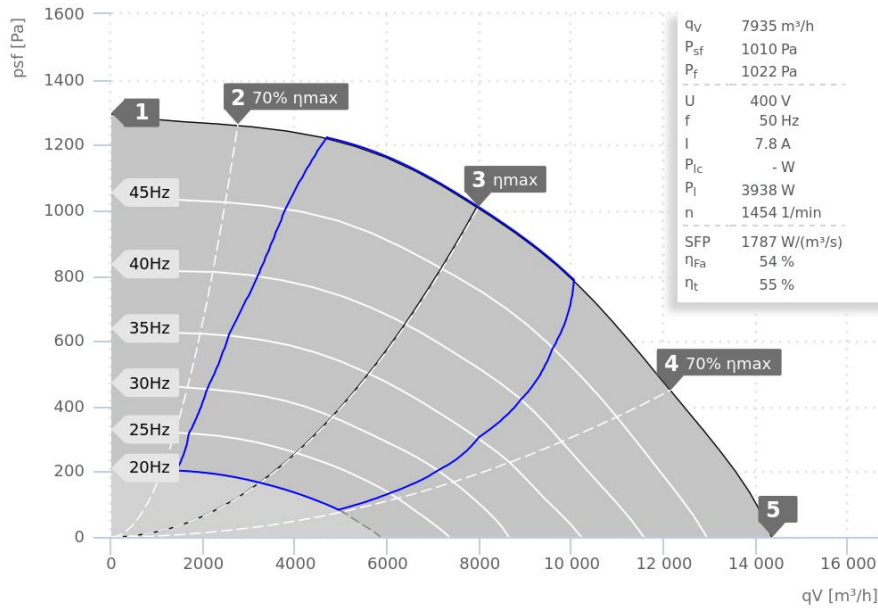
144885 01

VENTAS
VENTILATORER

DATA SHEET

ruck.eu
VENTILATOREN

DVN 630 D4 30 | 144886



— ErP compliant range

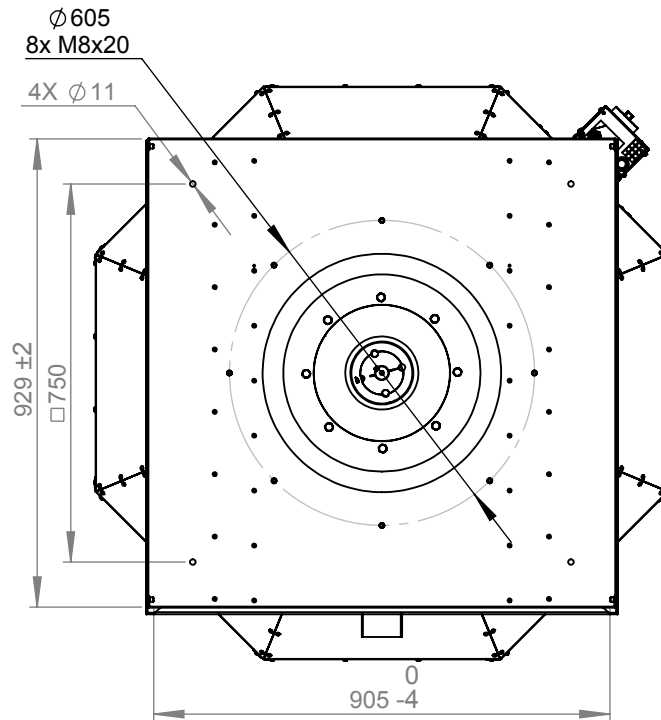
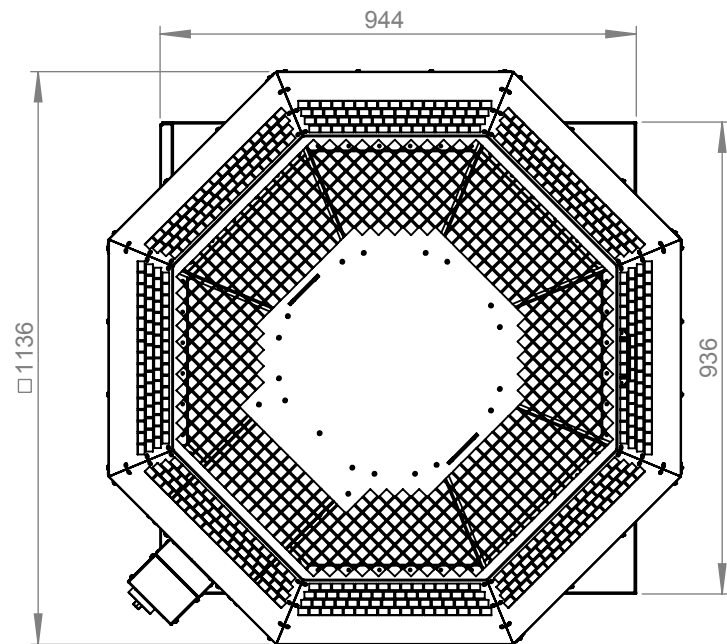
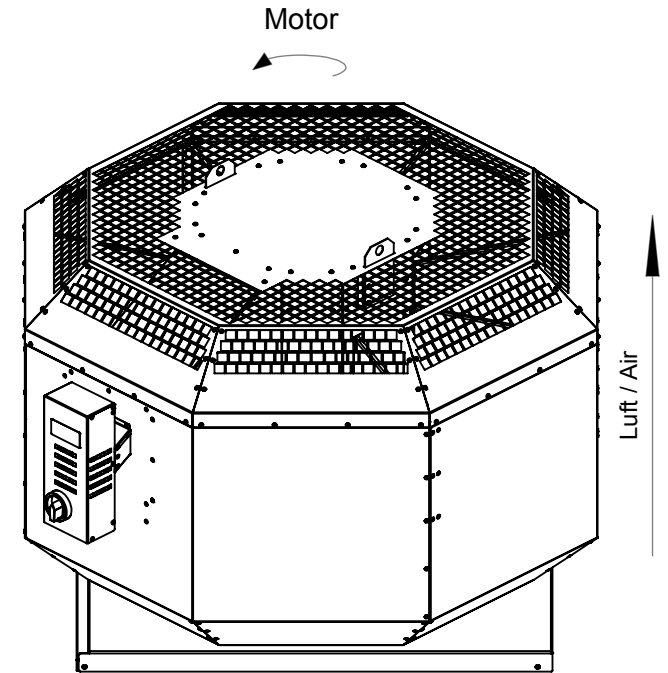
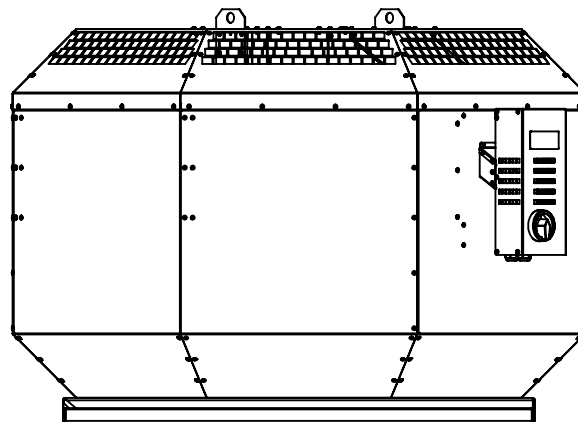
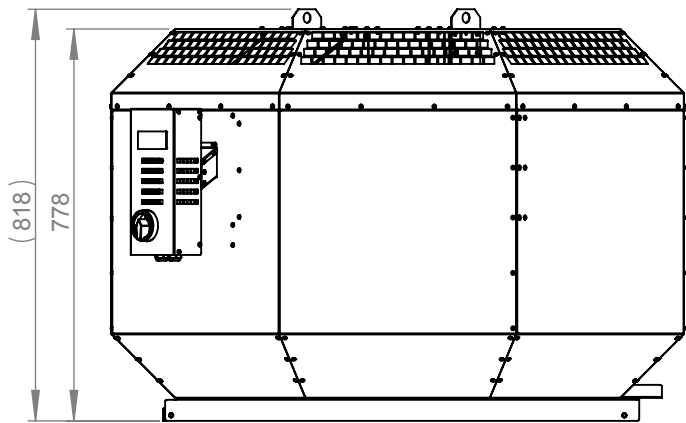


- Max. medium temperature 120°C
- Motor outside of air stream
- Swing-out fan unit
- Speed controllable
- Drain tray
- Frequency converter with 400V 3~ input and 400V 3~ output

Operating Point		1	2	3	4	5
Current I	A	5,2	6,1	7,9	7,7	7,6
Power consumption P _l	W	1302	2420	3959	3836	3744
Rotation speed n	1/min	1483	1470	1457	1458	1460
SWL inlet L _{WA5}	dB(A)	90	90	91	94	95
SWL outlet L _{WA6}	dB(A)	90	89	91	95	97
SWL housing break out L _{WA2}	dB(A)	-	-	-	-	-

Sound power (L _W) dB(A)		Medium Frequency Band								
		Σ	63	125	250	500	1k	2k	4k	8k
Inlet	L _{WA5}	91	63	82	84	85	85	83	79	74
Outlet	L _{WA6}	91	64	83	84	85	84	81	77	69
Housing radiation	L _{WA2}	-	-	-	-	-	-	-	-	-

DVN 630 D4 30 144886	
Voltage U _N	400 V 3~
Current I _{max}	8,5 A
Ambient temperature t _A	40 °C
Conveyed medium temperature t _M	120 °C
Speed Control	f
Motor protection	-
Insulation class motor	F
Weight	137,0 kg
Number of poles	4
IP motor	IP55
IP terminal box	-
IP complete unit	-
Min. operating temperature	-20 °C



ruck^{eu}
VENTILATOREN
ruck Ventilatoren
Max-Planck-Str. 5
D-97944 Boxberg



Protection Mark
according to ISO 16016

Created d.ursu
Drawn d.ursu
Released d.ursu
Disabled

1:15 A4 mm

General tolerances
DIN ISO 2768-c

29.03.2018
29.03.2018
16.07.2018

DVN630D430

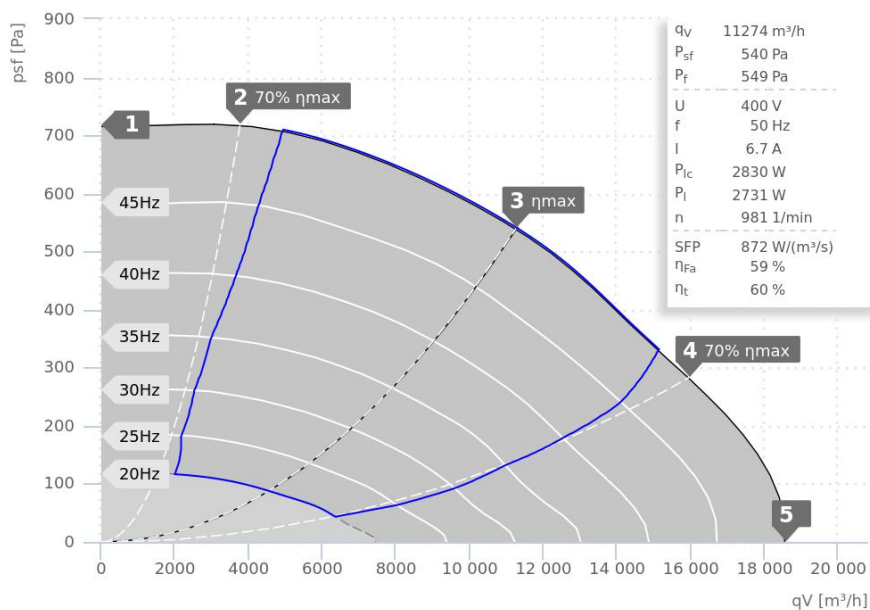
144886 01

VENTAS
VENTILATORER

DATA SHEET

DVN 710 D6 30 | 144887

ruck.eu
VENTILATOREN



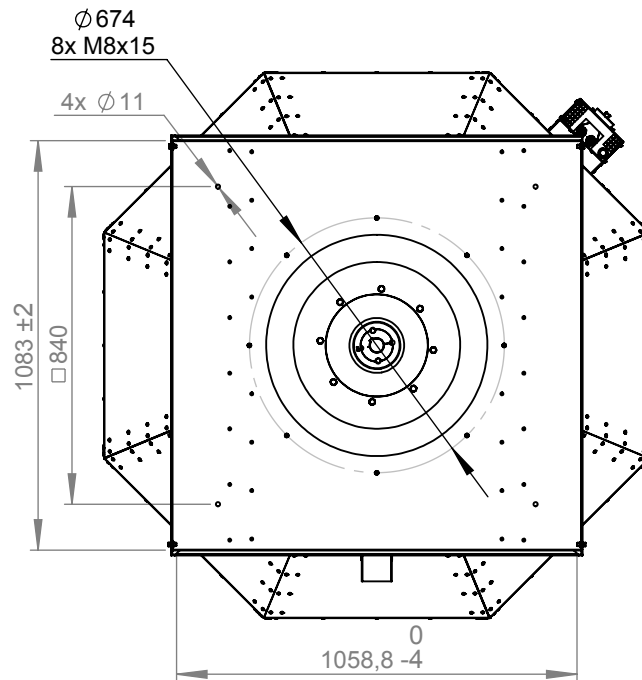
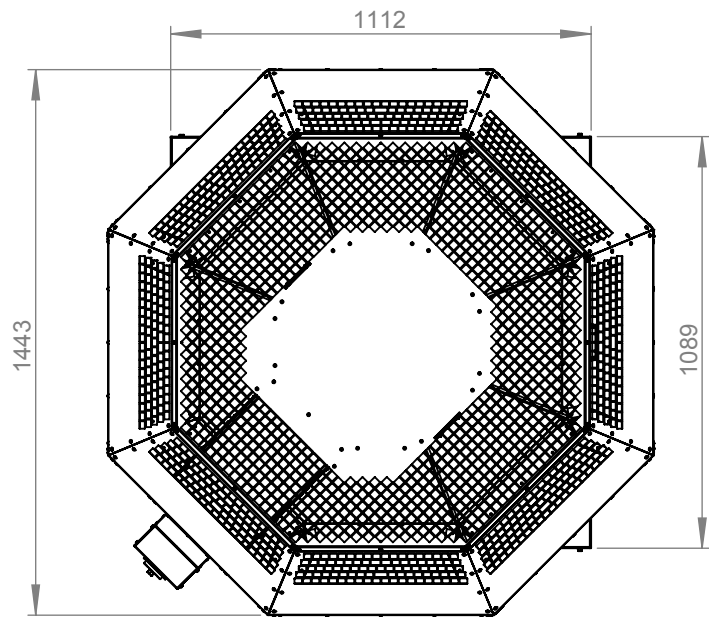
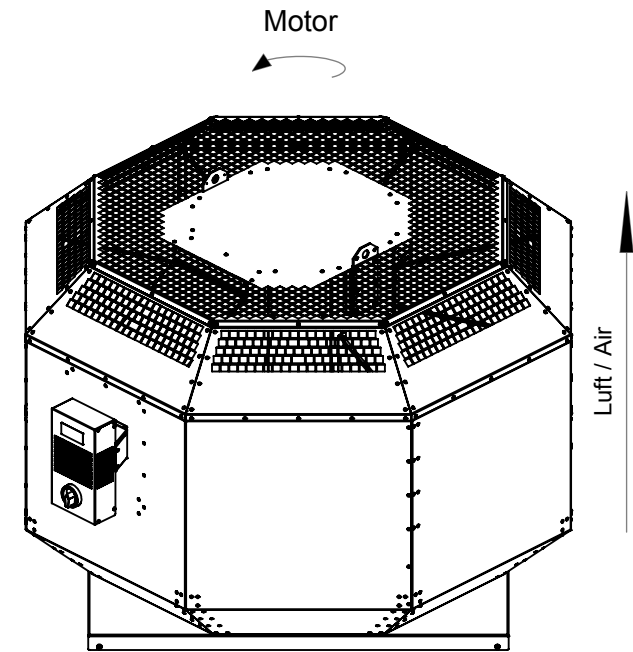
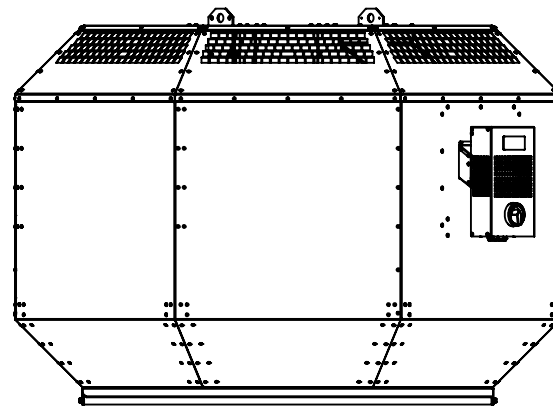
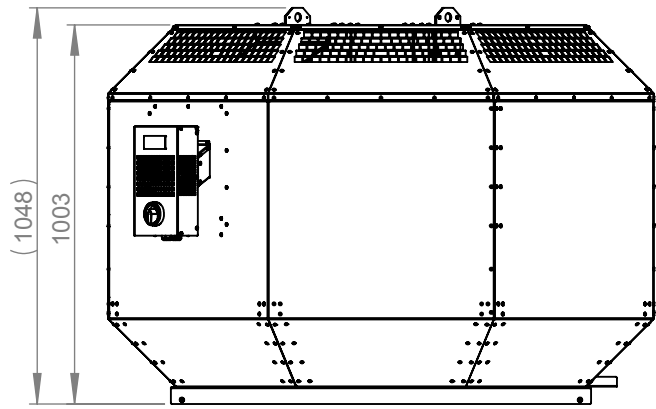
- Max. medium temperature 120°C
- Motor outside of air stream
- Swing-out fan unit
- Speed controllable
- Drain tray
- Frequency converter with 400V 3~ input and 400V 3~ output

— ErP compliant range

Operating Point		1	2	3	4	5
Current I	A	5,1	5,7	6,7	6,5	6,2
Power consumption P ₁	W	945	1776	2747	2564	2190
Rotation speed n	1/min	987	990	984	976	988
SWL inlet L _{WA5}	dB(A)	84	83	83	84	86
SWL outlet L _{WA6}	dB(A)	81	80	82	85	88
SWL housing break out L _{WA2}	dB(A)	-	-	-	-	-

Sound power (L _W) dB(A)		Medium Frequency Band								
		Σ	63	125	250	500	1k	2k	4k	8k
Inlet	L _{WA5}	83	52	77	76	75	77	75	69	62
Outlet	L _{WA6}	82	52	77	76	74	74	71	67	60
Housing radiation	L _{WA2}	-	-	-	-	-	-	-	-	-

DVN 710 D6 30 144887	
Voltage U _N	400 V 3~
Current I _{max}	6,9 A
Ambient temperature t _A	50 °C
Conveyed medium temperature t _M	120 °C
Speed Control	f
Motor protection	-
Insulation class motor	F
Weight	235,0 kg
Number of poles	-
IP motor	IP55
IP terminal box	-
IP complete unit	-
Min. operating temperature	-20 °C



1:20 A4 mm

Protection Mark according to ISO16016

General tolerances DIN ISO 2768-c

DVN710D630+

Created d.ursu
Drawn d.ursu
Released d.ursu
Disabled

09.01.2019
09.01.2019
29.10.2019

144887 00

