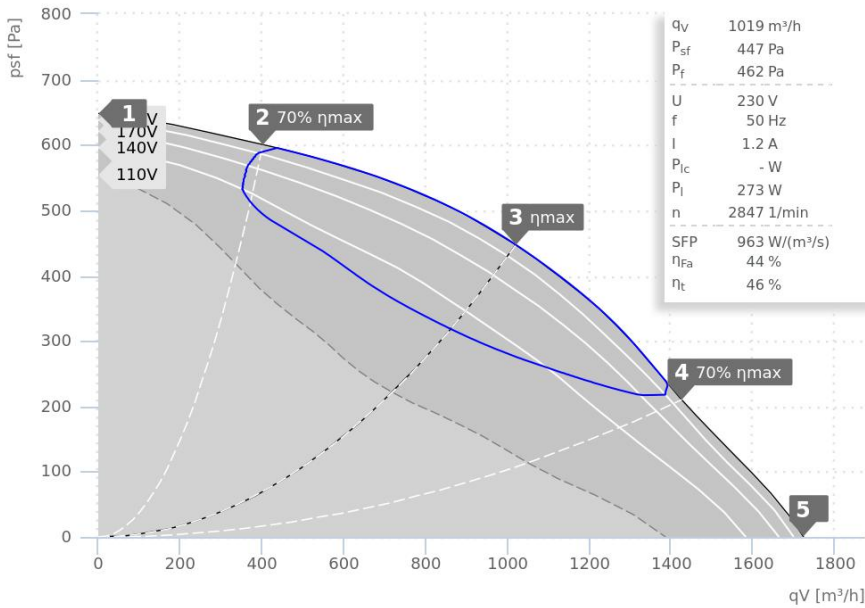


DATA SHEET

ruck.eu
VENTILATOREN

DVNI 225 E2 30 | 145085



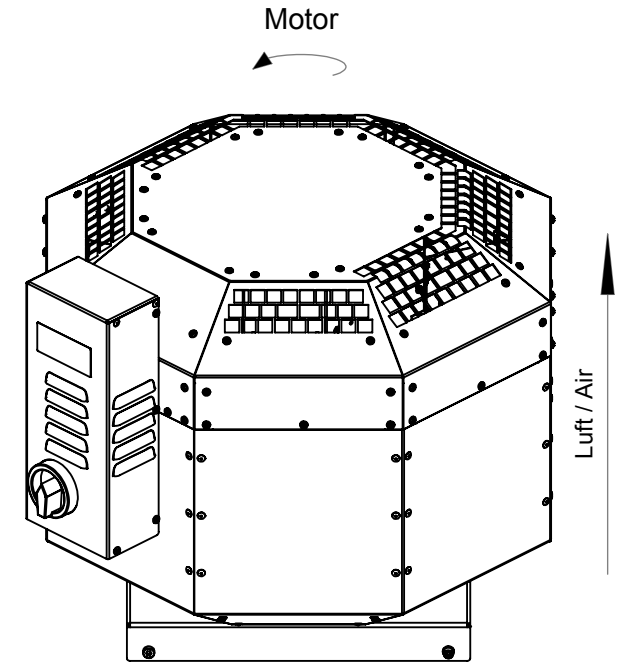
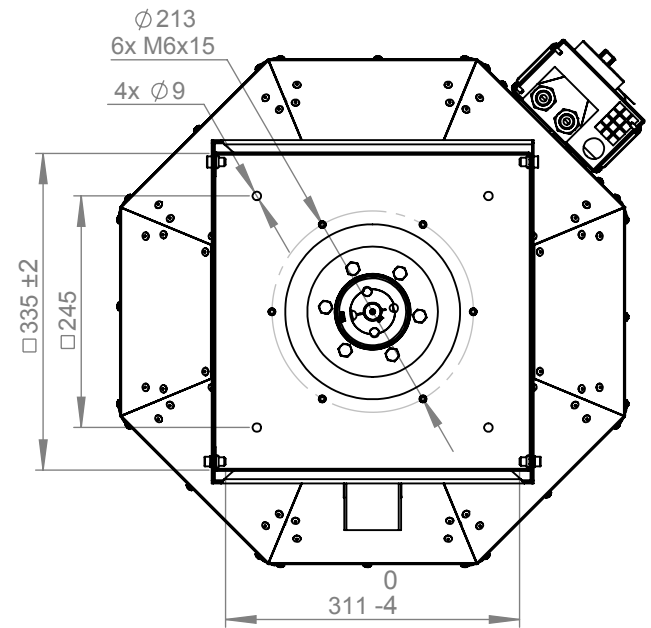
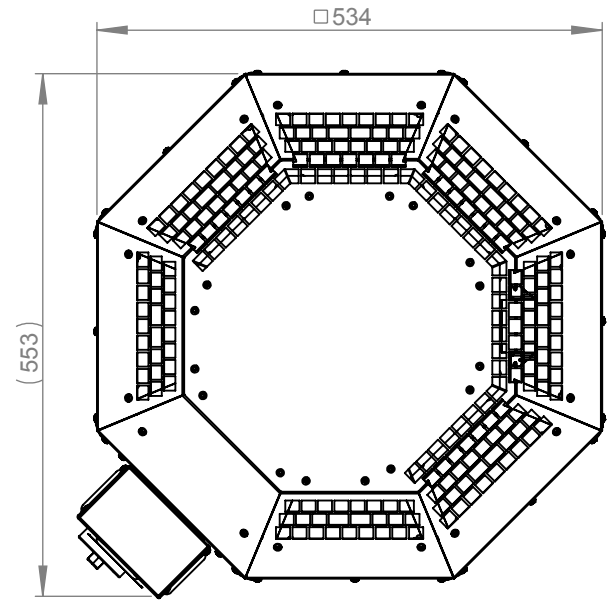
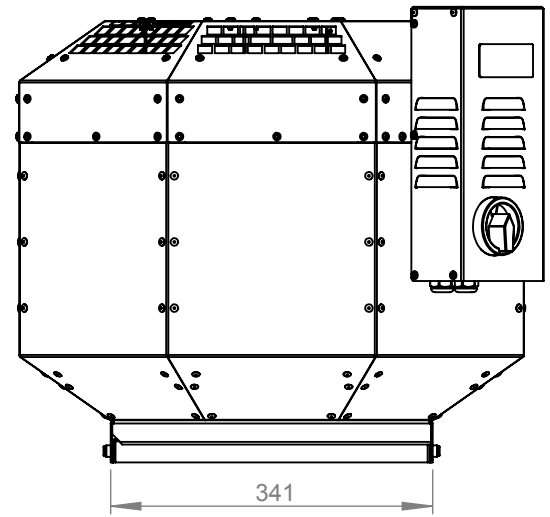
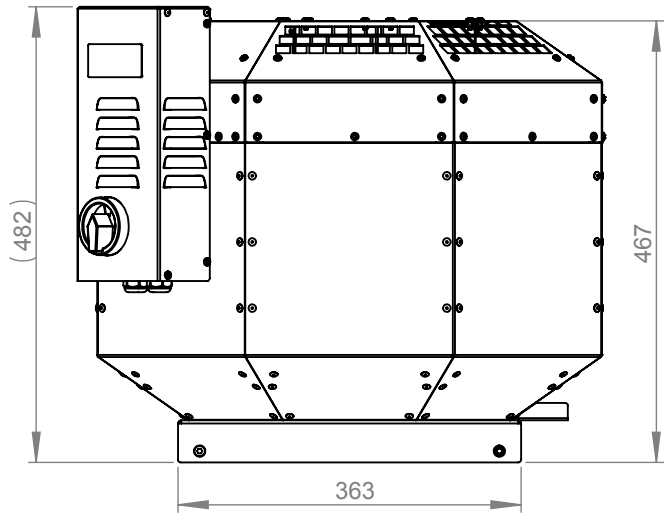
- Max. medium temperature 120°C
- Motor outside of air stream
- Swing-out fan unit
- Drain tray
- Sound insulated

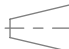

— ErP compliant range

Operating Point		1	2	3	4	5
Current I	A	0,7	0,9	1,2	1,1	1,0
Power consumption P _i	W	143	210	273	254	223
Rotation speed n	1/min	2932	2887	2847	2861	2884
SWL inlet L _{WA5}	dB(A)	73	72	72	77	78
SWL outlet L _{WA6}	dB(A)	72	71	71	75	76
SWL housing break out L _{WA2}	dB(A)	-	-	-	-	-

Sound power (L _W) dB(A)		Medium Frequency Band								
		Σ	63	125	250	500	1k	2k	4k	8k
Inlet	L _{WA5}	72	43	56	64	66	65	64	61	59
Outlet	L _{WA6}	71	46	59	68	65	63	60	56	51
Housing radiation	L _{WA2}	-	-	-	-	-	-	-	-	-

DVNI 225 E2 30 145085	
Voltage U _N	230 V 1~
Current I _{max}	2,1 A
Ambient temperature t _A	80 °C
Conveyed medium temperature t _M	120 °C
Speed Control	V
Motor protection	TAO
Insulation class motor	F
Weight	30,5 kg
Number of poles	2
IP motor	IP54
IP terminal box	-
IP complete unit	-
Min. operating temperature	-25 °C





 1:8 A4 mm
 Protection Mark according to ISO16016
 General tolerances DIN ISO 2768-c
 Created d.ursu 07.03.2018
 Drawn d.ursu 07.03.2018
 Released d.ursu 29.08.2018
 Disabled

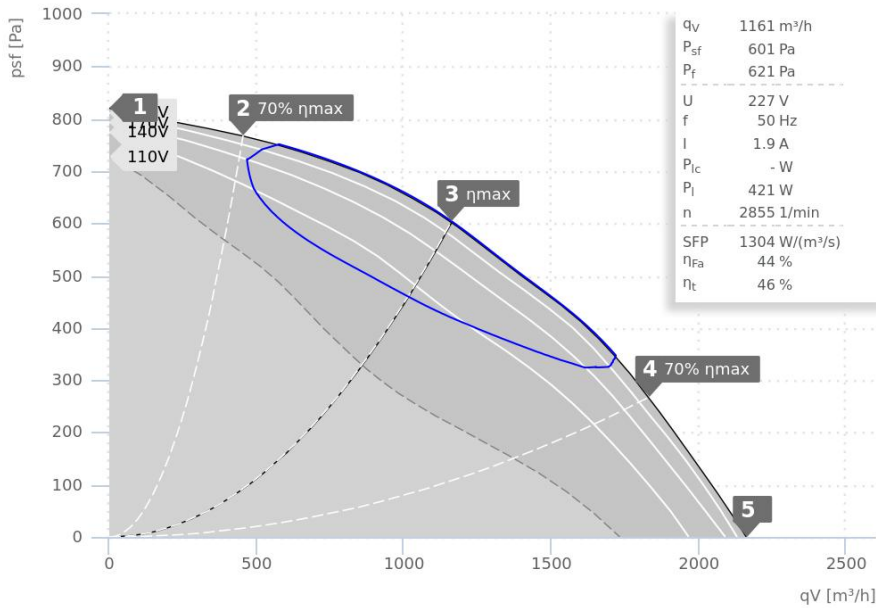
DVNI225E230

145085 01



DATA SHEET

DVNI 250 E2 30 | 145086



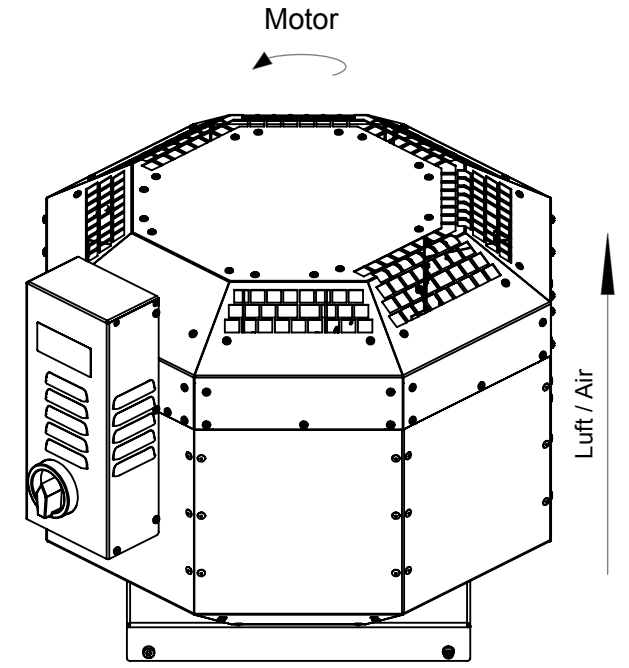
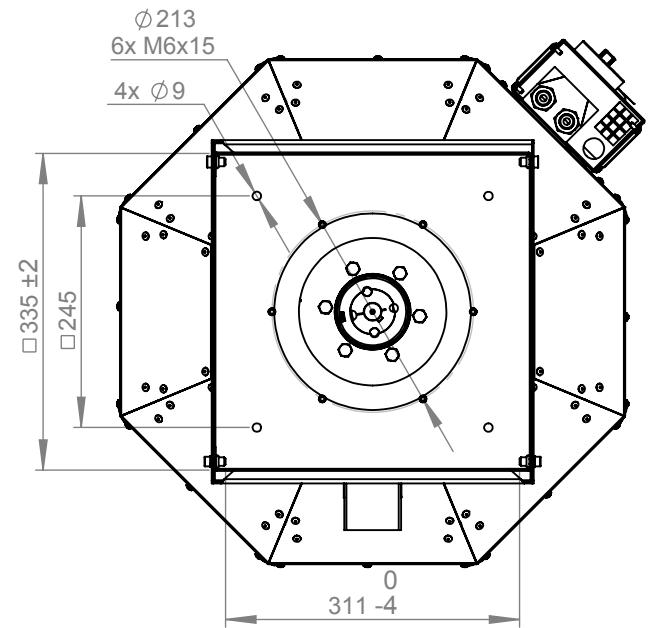
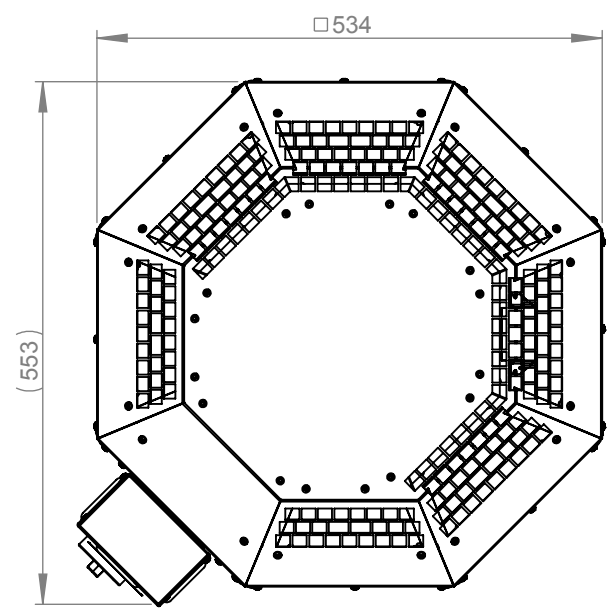
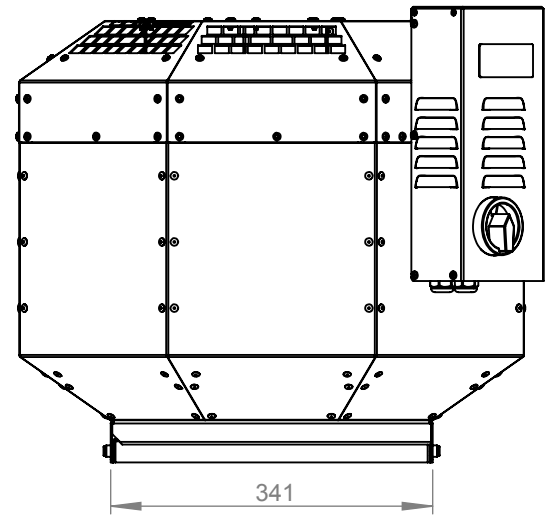
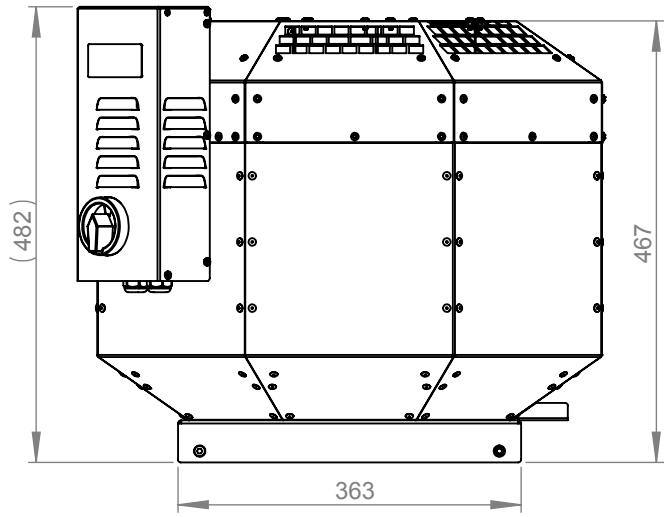
- Max. medium temperature 120°C
- Motor outside of air stream
- Swing-out fan unit
- Drain tray
- Sound insulated

— ErP compliant range

Operating Point		1	2	3	4	5
Current I	A	1,0	1,3	1,9	1,8	1,6
Power consumption P _i	W	208	304	423	421	374
Rotation speed n	1/min	2947	2907	2860	2864	2885
SWL inlet L _{WA5}	dB(A)	77	75	75	81	83
SWL outlet L _{WA6}	dB(A)	75	75	75	78	81
SWL housing break out L _{WA2}	dB(A)	-	-	-	-	-

Sound power (L _W) dB(A)		Medium Frequency Band								
		Σ	63	125	250	500	1k	2k	4k	8k
Inlet	L _{WA5}	75	47	61	67	71	68	66	65	63
Outlet	L _{WA6}	75	52	65	70	68	67	63	60	56
Housing radiation	L _{WA2}	-	-	-	-	-	-	-	-	-

DVNI 250 E2 30 145086	
Voltage U _N	230 V 1~
Current I _{max}	3,3 A
Ambient temperature t _A	80 °C
Conveyed medium temperature t _M	120 °C
Speed Control	V
Motor protection	TAO
Insulation class motor	F
Weight	33,0 kg
Number of poles	2
IP motor	IP54
IP terminal box	-
IP complete unit	-
Min. operating temperature	-25 °C



ruck^{eu}
VENTILATOREN
ruck Ventilatoren
Max-Planck-Str. 5
D-97944 Boxberg

Protection Mark
according to ISO16016
Created d.ursu
Drawn d.ursu
Released d.ursu
Disabled

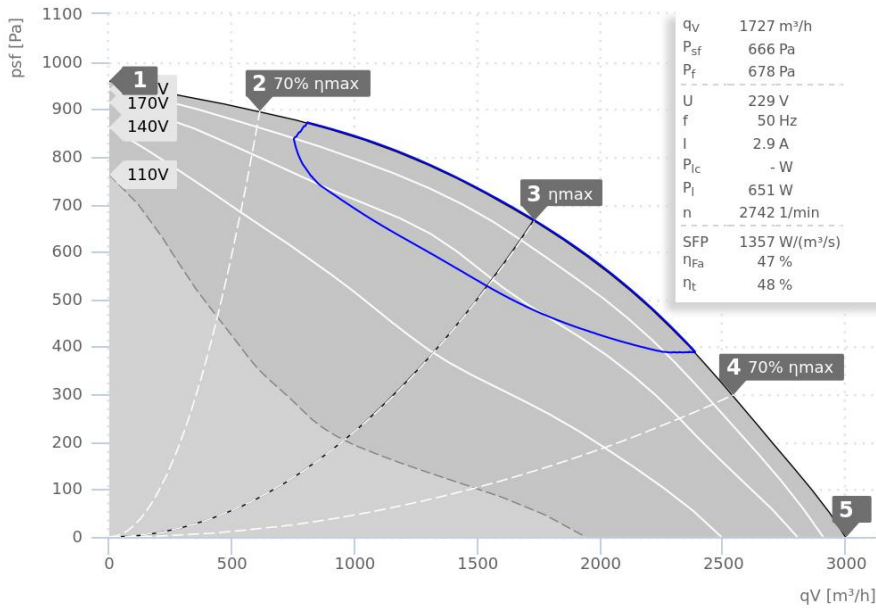
1:8 A4 mm
General tolerances
DIN ISO 2768-c
07.03.2018
07.03.2018
30.08.2018

DVNI250E230
145086 01

VENTAS
VENTILATORER

DATA SHEET

DVNI 280 E2 30 | 145087



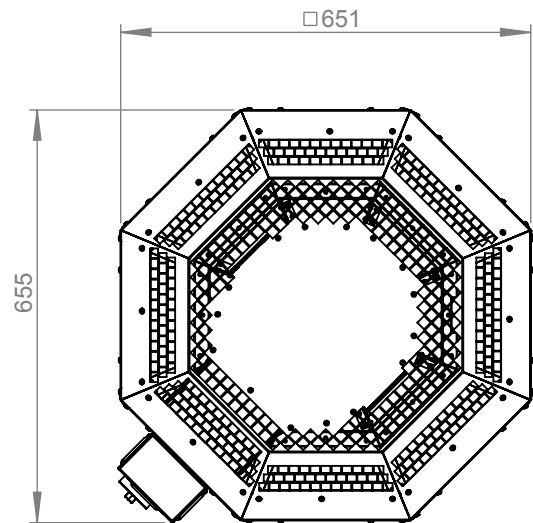
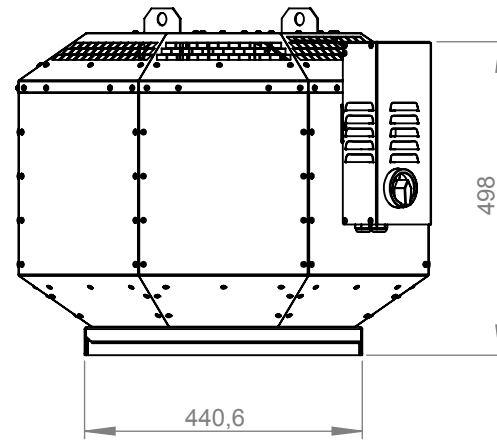
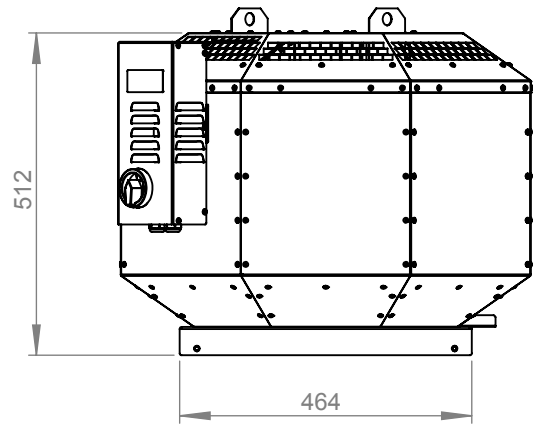
- Max. medium temperature 120°C
- Motor outside of air stream
- Swing-out fan unit
- Drain tray
- Sound insulated

— ErP compliant range

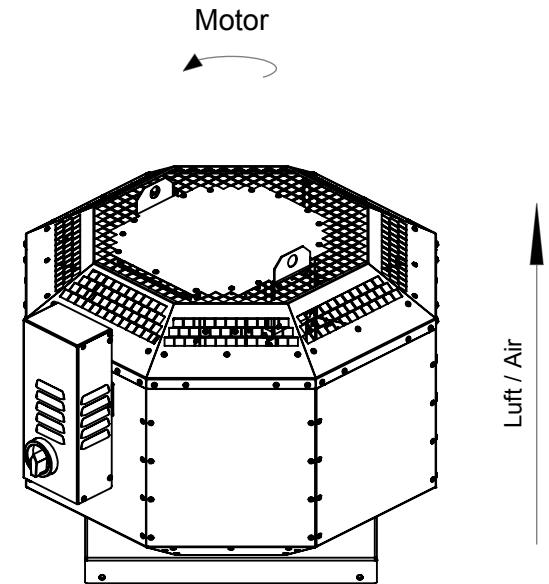
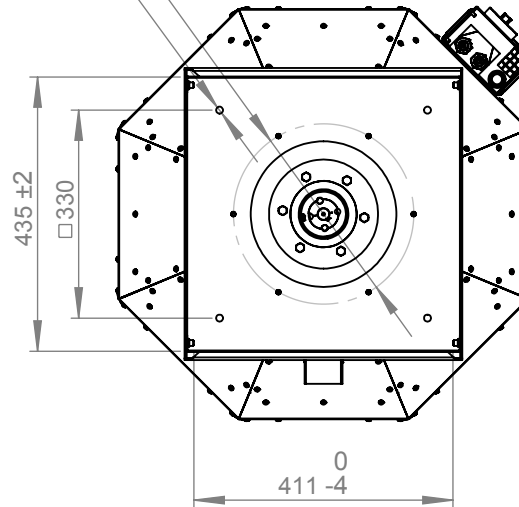
Operating Point		1	2	3	4	5
Current I	A	1,6	2,1	2,9	2,7	2,4
Power consumption P _i	W	304	453	652	611	538
Rotation speed n	1/min	2906	2840	2744	2774	2814
SWL inlet L _{WA5}	dB(A)	80	80	79	84	86
SWL outlet L _{WA6}	dB(A)	80	80	79	83	85
SWL housing break out L _{WA2}	dB(A)	-	-	-	-	-

Sound power (L _W) dB(A)		Medium Frequency Band								
		Σ	63	125	250	500	1k	2k	4k	8k
Inlet	L _{WA5}	79	50	60	72	75	71	69	69	63
Outlet	L _{WA6}	79	52	67	76	73	71	67	62	59
Housing radiation	L _{WA2}	-	-	-	-	-	-	-	-	-

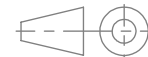
DVNI 280 E2 30 145087	
Voltage U _N	230 V 1~
Current I _{max}	3,8 A
Ambient temperature t _A	80 °C
Conveyed medium temperature t _M	120 °C
Speed Control	V
Motor protection	TAO
Insulation class motor	F
Weight	42,5 kg
Number of poles	2
IP motor	IP54
IP terminal box	-
IP complete unit	-
Min. operating temperature	-25 °C



$\varnothing 286$
 6x M6x15
 4x $\varnothing 11$



ruck^{eu}
 VENTILATOREN
 ruck Ventilatoren
 Max-Planck-Str. 5
 D-97944 Boxberg



Protection Mark
 according to ISO16016

Created a.mezei
 Drawn a.mezei
 Released a.ganea
 Disabled

1:12 A4 mm

General tolerances
 DIN ISO 2768-c

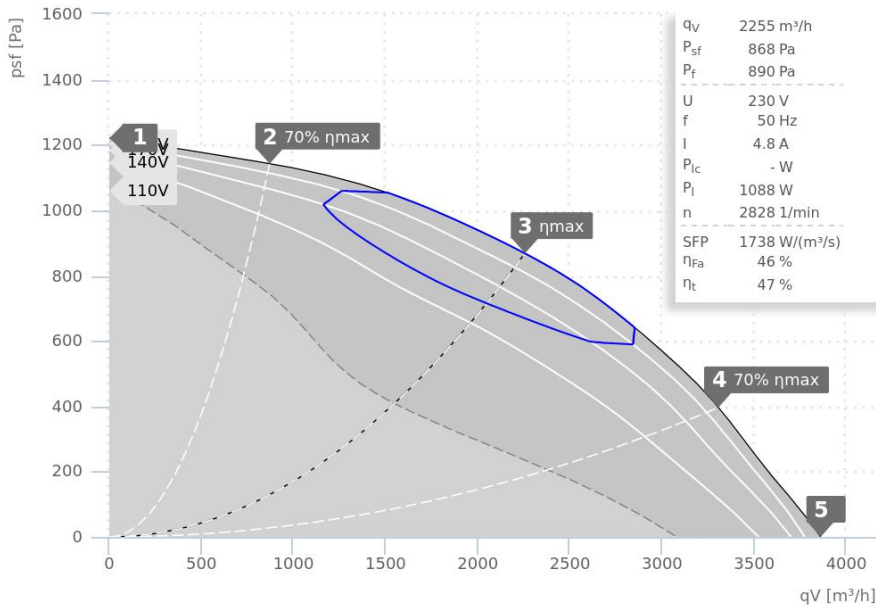
DVNI280E230

145087 01

VENTAS
 VENTILATOREN

DATA SHEET

DVNI 315 E2 30 | 145088



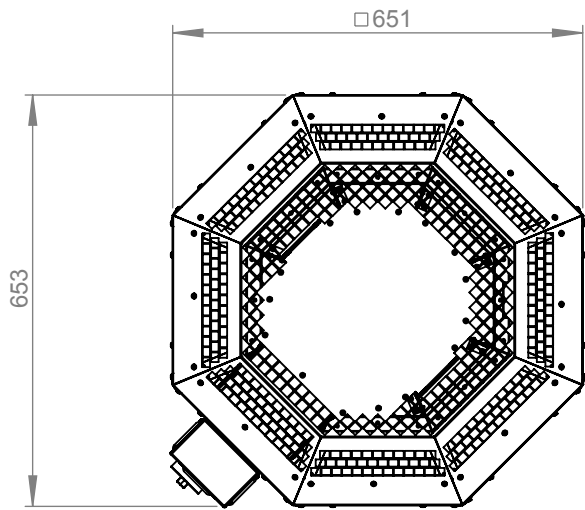
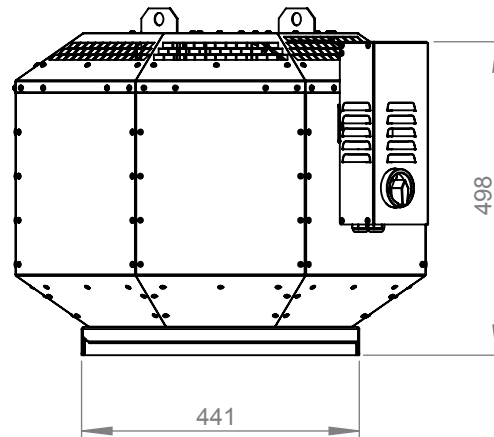
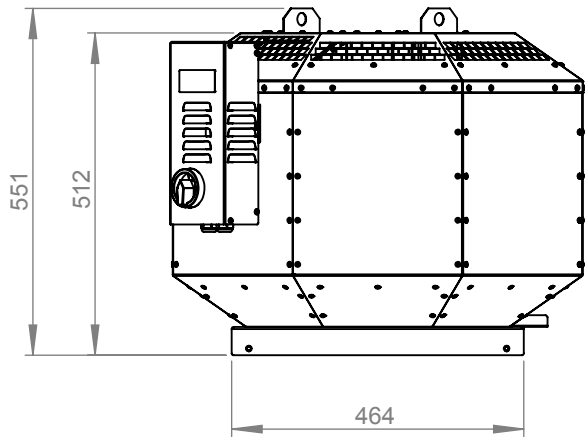
- Max. medium temperature 120°C
- Motor outside of air stream
- Swing-out fan unit
- Drain tray
- Sound insulated

— ErP compliant range

Operating Point		1	2	3	4	5
Current I	A	2,5	3,5	4,8	4,6	3,9
Power consumption P _l	W	533	796	1089	1035	877
Rotation speed n	1/min	2935	2885	2828	2845	2877
SWL inlet L _{WA5}	dB(A)	84	81	83	88	89
SWL outlet L _{WA6}	dB(A)	83	81	82	86	87
SWL housing break out L _{WA2}	dB(A)	-	-	-	-	-

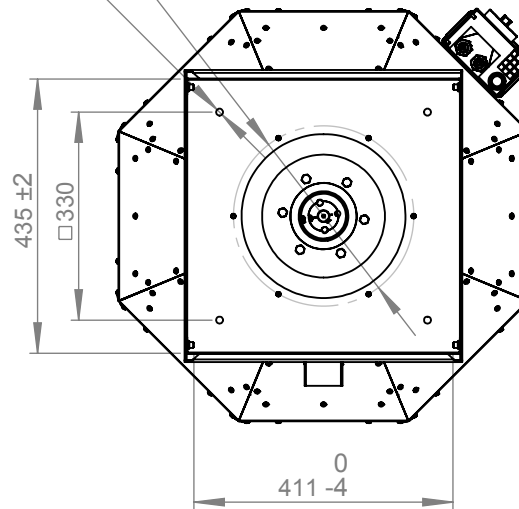
Sound power (L _W) dB(A)		Medium Frequency Band								
		Σ	63	125	250	500	1k	2k	4k	8k
Inlet	L _{WA5}	83	53	65	75	79	75	73	71	73
Outlet	L _{WA6}	82	55	68	78	76	74	70	66	61
Housing radiation	L _{WA2}	-	-	-	-	-	-	-	-	-

DVNI 315 E2 30 145088	
Voltage U _N	230 V 1~
Current I _{max}	7,1 A
Ambient temperature t _A	50 °C
Conveyed medium temperature t _M	120 °C
Speed Control	V
Motor protection	TAO
Insulation class motor	F
Weight	46,0 kg
Number of poles	2
IP motor	IP54
IP terminal box	-
IP complete unit	-
Min. operating temperature	-25 °C

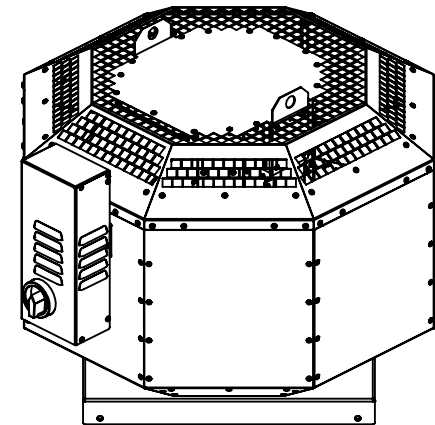


Ø 286
6x M6x15

4x Ø 11



Motor



1:12 A4 mm

ruck^{EU}
VENTILATOREN

ruck Ventilatoren
Max-Planck-Str. 5
D-97944 Boxberg

Protection Mark
according to ISO16016

Drawn: a.mezei
Created: a.mezei
Changed:

General tolerances
DIN ISO 2768-c

18.04.2018
18.04.2018

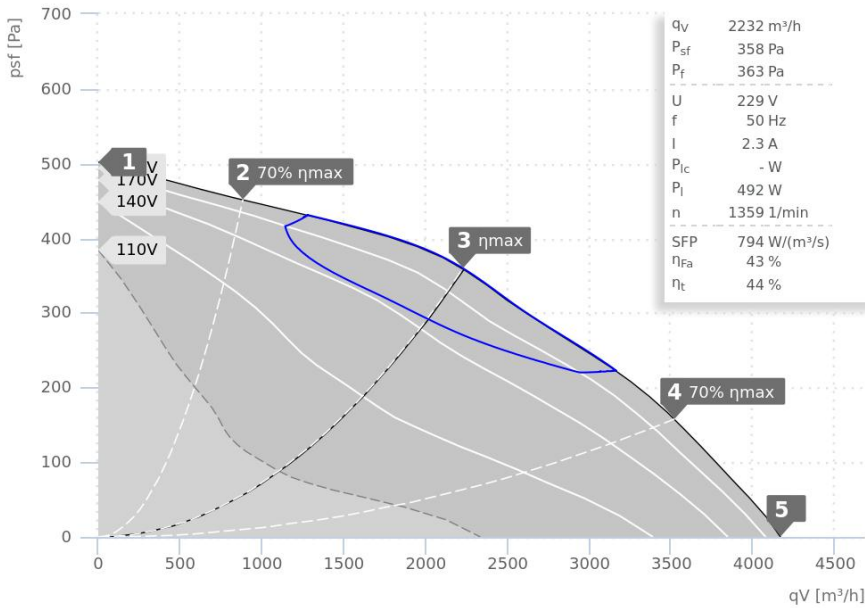
DVNI315E230

145088 01

VENTAS
VENTILATORER

DATA SHEET

DVNI 400 E4 30 | 146378



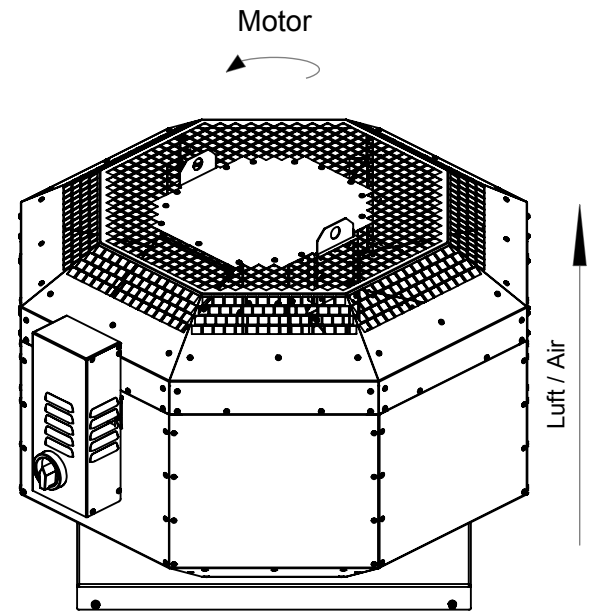
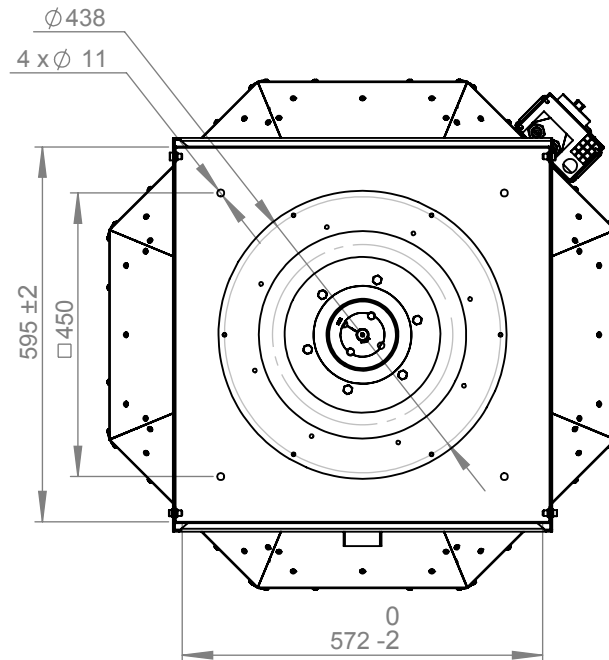
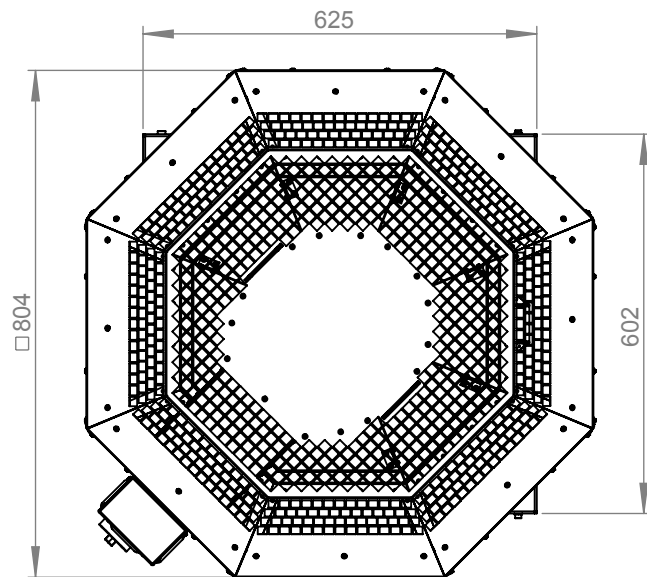
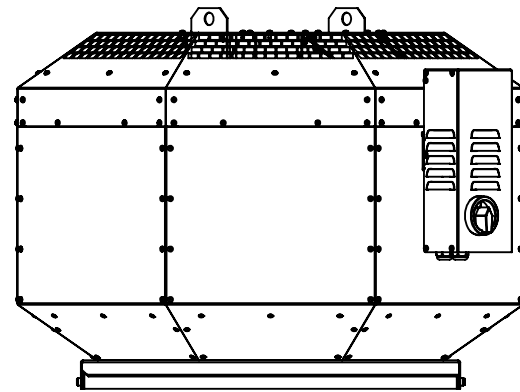
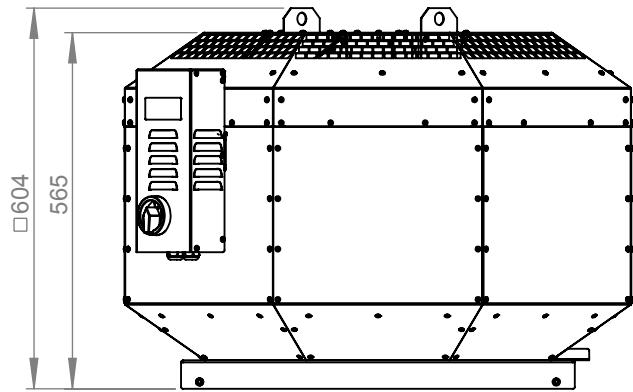
- Max. medium temperature 120°C
- Motor outside of air stream
- Swing-out fan unit
- Drain tray
- Sound insulated

— ErP compliant range

Operating Point		1	2	3	4	5
Current I	A	1,3	1,7	2,3	2,2	1,9
Power consumption P _i	W	243	360	493	482	413
Rotation speed n	1/min	1449	1409	1360	1370	1398
SWL inlet L _{WA5}	dB(A)	70	71	68	73	78
SWL outlet L _{WA6}	dB(A)	71	71	69	73	76
SWL housing break out L _{WA2}	dB(A)	-	-	-	-	-

Sound power (L _W) dB(A)		Medium Frequency Band								
		Σ	63	125	250	500	1k	2k	4k	8k
Inlet	L _{WA5}	68	41	61	61	61	60	58	57	53
Outlet	L _{WA6}	69	43	62	63	64	61	57	52	50
Housing radiation	L _{WA2}	-	-	-	-	-	-	-	-	-

DVNI 400 E4 30 146378	
Voltage U _N	230 V 1~
Current I _{max}	2,9 A
Ambient temperature t _A	80 °C
Conveyed medium temperature t _M	120 °C
Speed Control	V
Motor protection	TAO
Insulation class motor	F
Weight	56,0 kg
Number of poles	4
IP motor	IP54
IP terminal box	-
IP complete unit	-
Min. operating temperature	-25 °C



ruck^{eu}
VENTILATOREN
ruck Ventilatoren
Max-Planck-Str. 5
D-97944 Boxberg



Protection Mark
according to ISO 16016

Created a.mezei
Drawn a.mezei
Released d.ursu
Disabled

1:12 A4 mm

General tolerances
DIN ISO 2768-c

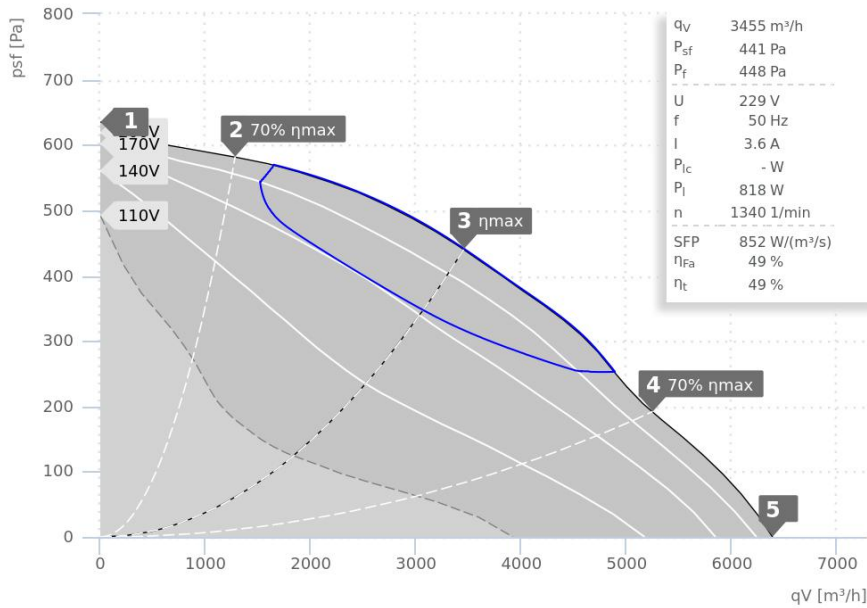
DVNI400E430+

146378 01

VENTAS
VENTILATORER

DATA SHEET

DVNI 450 E4 30 | 145089



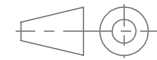
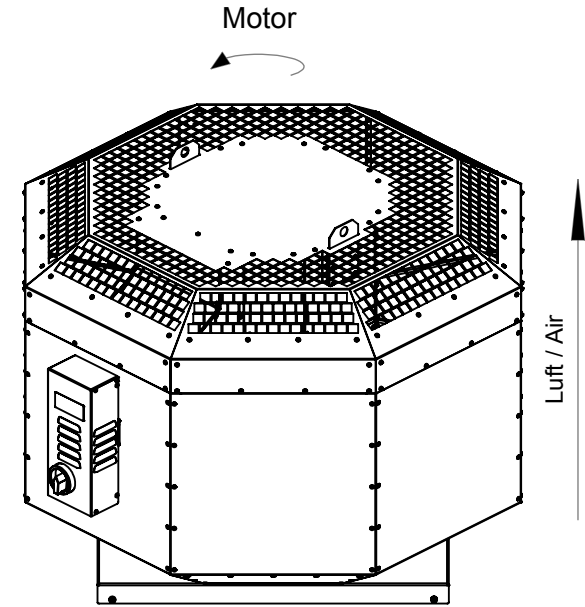
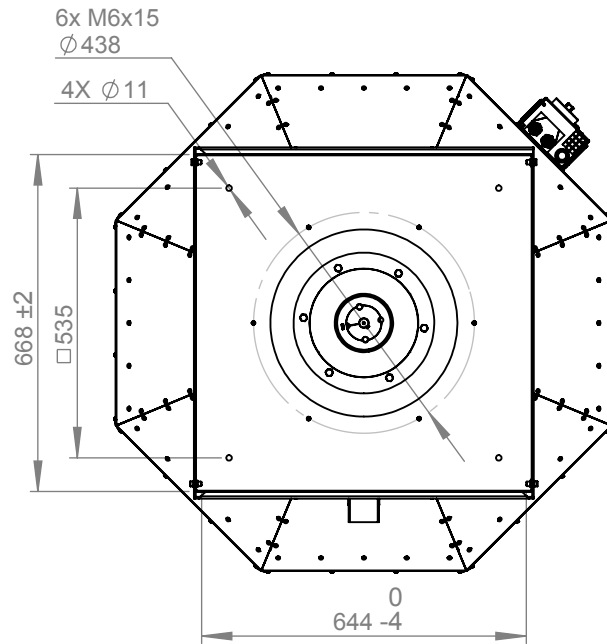
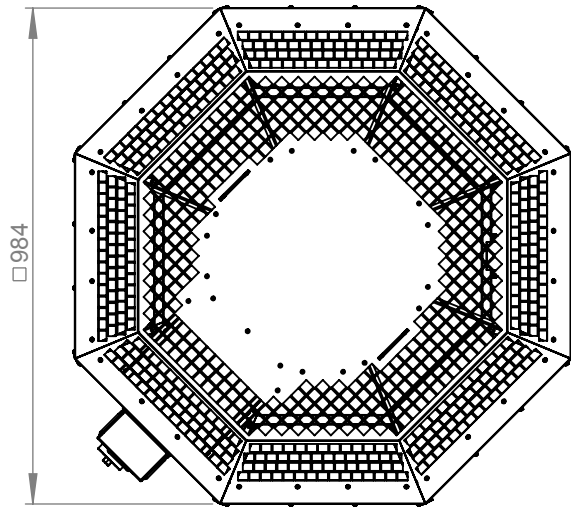
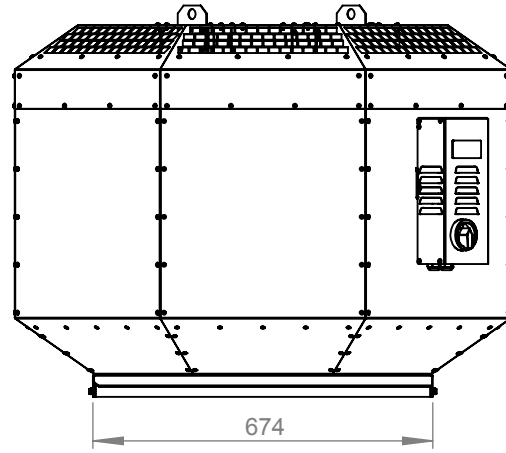
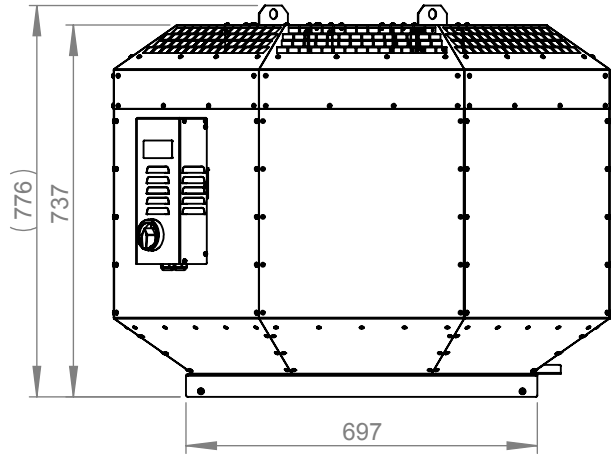
- Max. medium temperature 120°C
- Motor outside of air stream
- Swing-out fan unit
- Drain tray
- Sound insulated

— ErP compliant range

Operating Point		1	2	3	4	5
Current I	A	1,7	2,6	3,6	3,4	3,0
Power consumption P _i	W	352	581	819	768	667
Rotation speed n	1/min	1448	1395	1342	1360	1384
SWL inlet L _{WA5}	dB(A)	75	74	72	79	83
SWL outlet L _{WA6}	dB(A)	73	74	72	78	83
SWL housing break out L _{WA2}	dB(A)	-	-	-	-	-

Sound power (L _W) dB(A)		Medium Frequency Band								
		Σ	63	125	250	500	1k	2k	4k	8k
Inlet	L _{WA5}	72	42	66	64	65	64	63	60	56
Outlet	L _{WA6}	72	47	65	67	65	62	58	55	52
Housing radiation	L _{WA2}	-	-	-	-	-	-	-	-	-

DVNI 450 E4 30 145089	
Voltage U _N	230 V 1~
Current I _{max}	4,6 A
Ambient temperature t _A	55 °C
Conveyed medium temperature t _M	120 °C
Speed Control	V
Motor protection	TAO
Insulation class motor	F
Weight	82,0 kg
Number of poles	4
IP motor	IP54
IP terminal box	-
IP complete unit	-
Min. operating temperature	-25 °C



Protection Mark
according to ISO 16016
Created d.ursu
Drawn d.ursu
Released d.ursu
Disabled

1:15 A4 mm

General tolerances
DIN ISO 2768-c

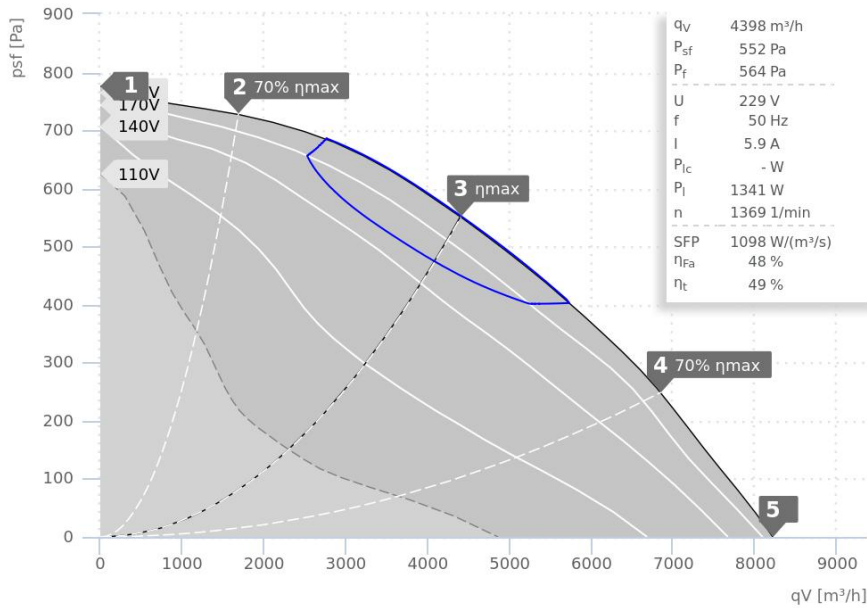
DVNI450E430+

145089 00



DATA SHEET

DVNI 500 E4 30 | 145090



- Max. medium temperature 120°C
- Motor outside of air stream
- Swing-out fan unit
- Drain tray
- Sound insulated

— ErP compliant range

Operating Point		1	2	3	4	5
Current I	A	3,1	4,3	5,9	5,9	5,1
Power consumption P _i	W	667	981	1346	1333	1157
Rotation speed n	1/min	1458	1419	1371	1372	1398
SWL inlet L _{WA5}	dB(A)	78	77	76	81	84
SWL outlet L _{WA6}	dB(A)	77	77	76	80	83
SWL housing break out L _{WA2}	dB(A)	-	-	-	-	-

Sound power (L _W) dB(A)		Medium Frequency Band								
		Σ	63	125	250	500	1k	2k	4k	8k
Inlet	L _{WA5}	76	44	69	70	68	68	67	63	58
Outlet	L _{WA6}	76	51	70	71	69	66	62	60	54
Housing radiation	L _{WA2}	-	-	-	-	-	-	-	-	-

DVNI 500 E4 30 145090	
Voltage U _N	230 V 1~
Current I _{max}	7,6 A
Ambient temperature t _A	45 °C
Conveyed medium temperature t _M	120 °C
Speed Control	V
Motor protection	TAO
Insulation class motor	F
Weight	88,0 kg
Number of poles	4
IP motor	IP54
IP terminal box	-
IP complete unit	-
Min. operating temperature	-25 °C

