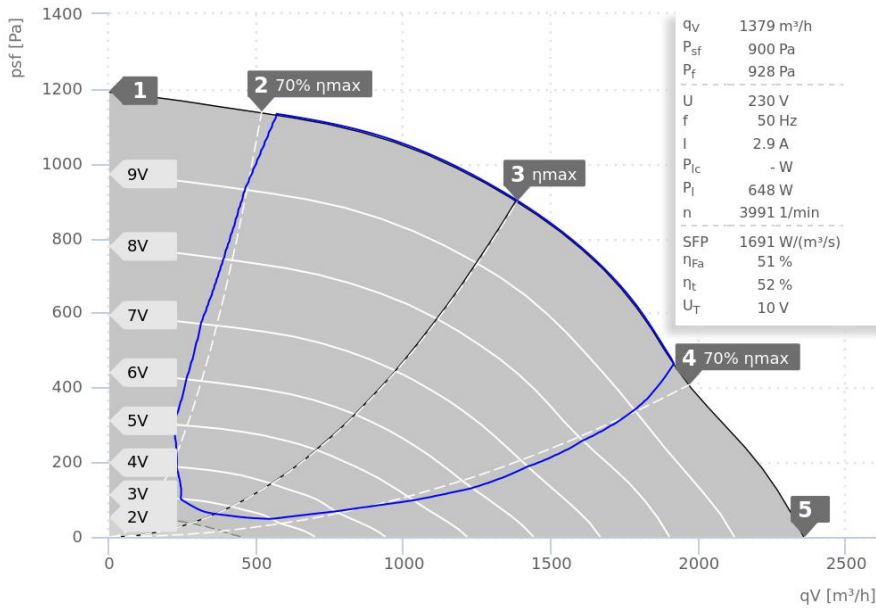


# DATA SHEET

## DVNI 225 EC 30 | 145173



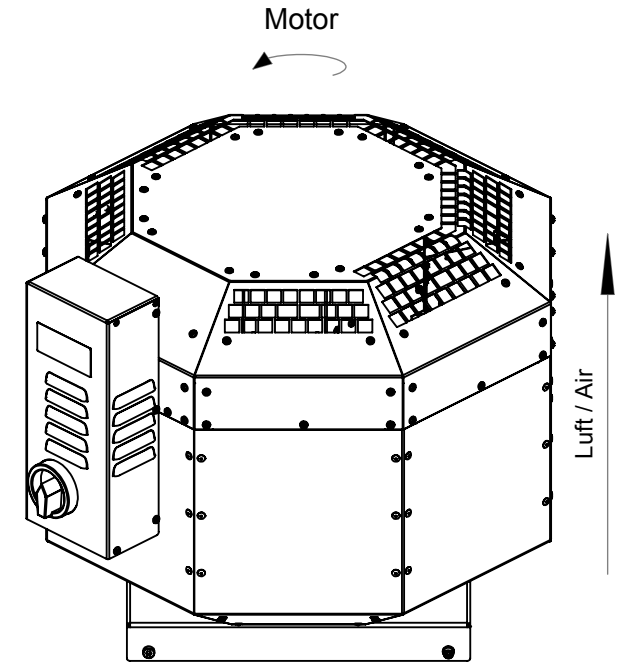
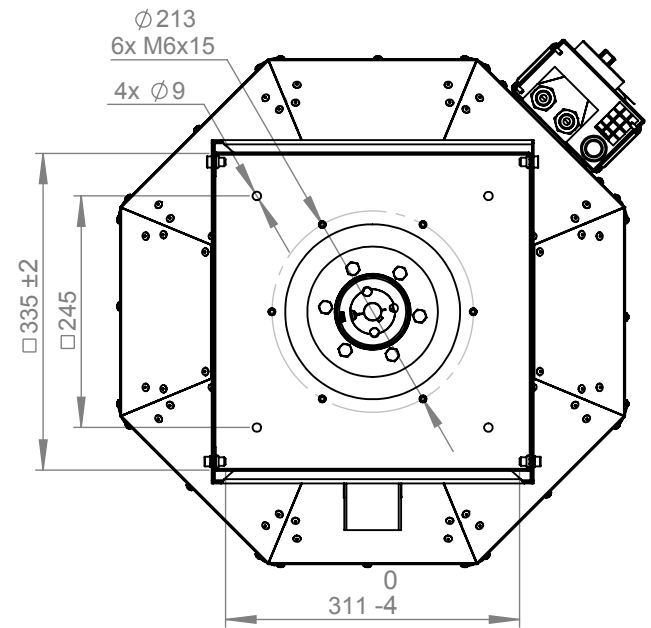
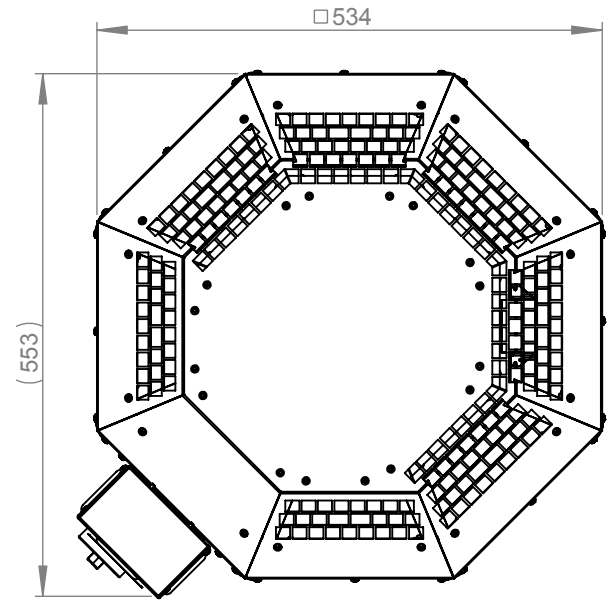
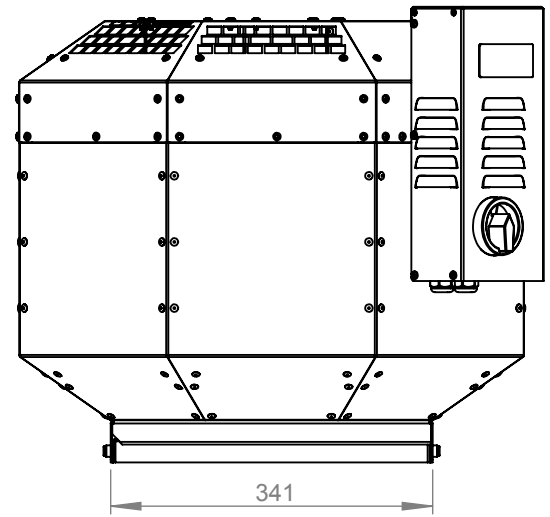
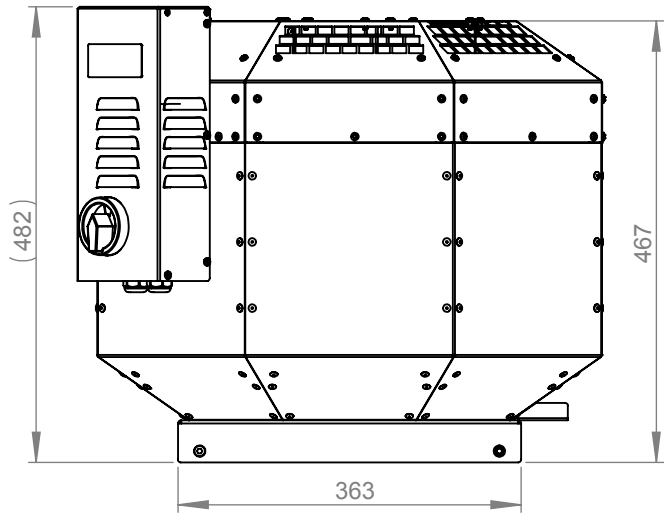
- Max. medium temperature 120°C
- EC-motor outside of air stream
- Speed controllable
- Swing-out fan unit
- Drain tray
- Sound insulated
- Housing made of aluminium AlMg3

— ErP compliant range

| Operating Point                 |       | 1    | 2    | 3    | 4    | 5    |
|---------------------------------|-------|------|------|------|------|------|
| Current I                       | A     | 1,3  | 2,0  | 2,9  | 2,7  | 2,2  |
| Power consumption $P_i$         | W     | 250  | 445  | 651  | 594  | 494  |
| Rotation speed n                | 1/min | 3989 | 3995 | 3998 | 3997 | 3996 |
| SWL inlet $L_{WA5}$             | dB(A) | 83   | 81   | 80   | 84   | 86   |
| SWL outlet $L_{WA6}$            | dB(A) | 81   | 81   | 80   | 84   | 84   |
| SWL housing break out $L_{WA2}$ | dB(A) | -    | -    | -    | -    | -    |

| Sound power ( $L_W$ ) dB(A) |           | Medium Frequency Band |    |     |     |     |    |    |    |    |
|-----------------------------|-----------|-----------------------|----|-----|-----|-----|----|----|----|----|
|                             |           | $\Sigma$              | 63 | 125 | 250 | 500 | 1k | 2k | 4k | 8k |
| Inlet                       | $L_{WA5}$ | 80                    | 51 | 63  | 68  | 76  | 74 | 72 | 71 | 67 |
| Outlet                      | $L_{WA6}$ | 80                    | 53 | 67  | 71  | 78  | 71 | 70 | 66 | 60 |
| Housing radiation           | $L_{WA2}$ | -                     | -  | -   | -   | -   | -  | -  | -  | -  |

| DVNI 225 EC 30   145173           |          |
|-----------------------------------|----------|
| Voltage $U_N$                     | 230 V 1~ |
| Current $I_{max}$                 | 3,1 A    |
| Ambient temperature $t_A$         | 40 °C    |
| Conveyed medium temperature $t_M$ | 120 °C   |
| Speed Control                     | 0-10V    |
| Motor protection                  | TEC      |
| Insulation class motor            | F        |
| Weight                            | 28,0 kg  |
| Number of poles                   | -        |
| IP motor                          | IP54     |
| IP terminal box                   | -        |
| IP complete unit                  | -        |
| Min. operating temperature        | -20 °C   |



**ruck**<sup>eu</sup>  
VENTILATOREN  
ruck Ventilatoren  
Max-Planck-Str. 5  
D-97944 Boxberg

Protection Mark  
according to ISO16016  
Created d.ursu  
Drawn d.ursu  
Released d.ursu  
Disabled

1:8 A4 mm

General tolerances  
DIN ISO 2768-c

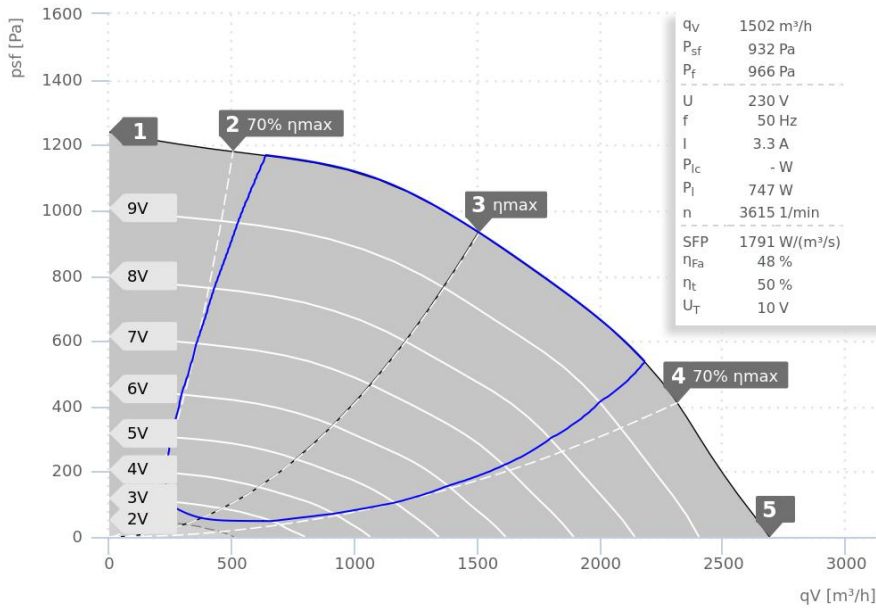
**DVNI225EC30**

**145173 01**



# DATA SHEET

## DVNI 250 EC 30 | 145174



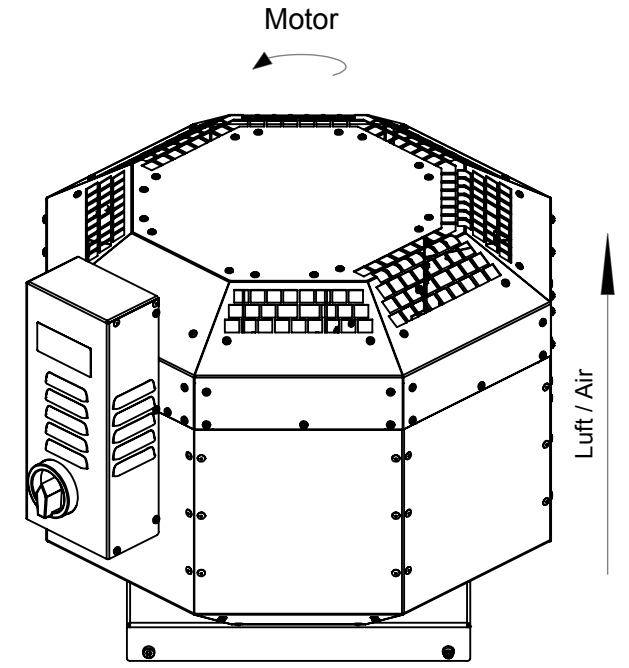
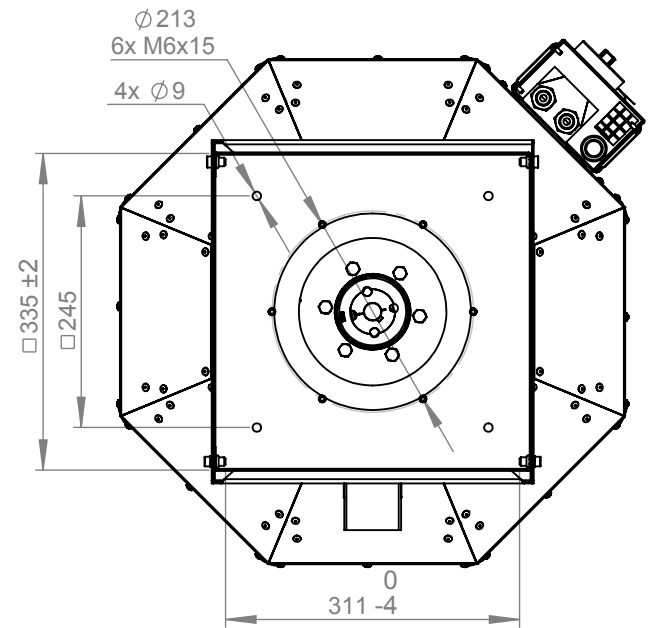
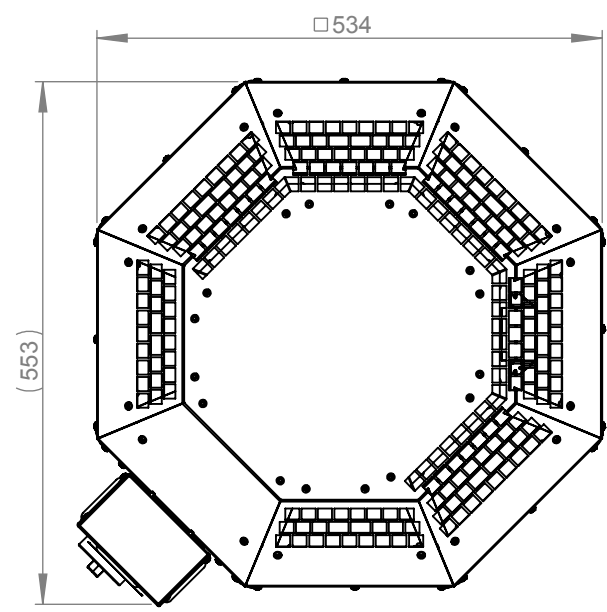
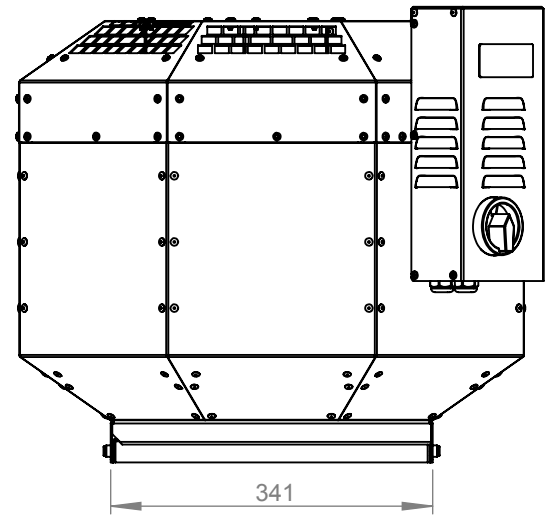
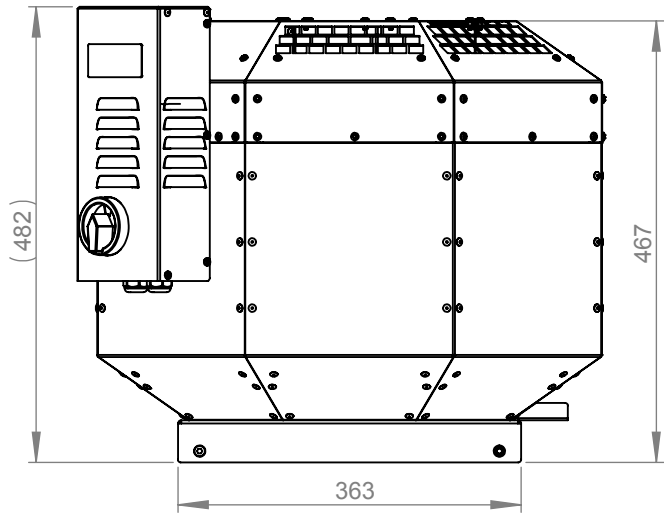
- Max. medium temperature 120°C
- EC-motor outside of air stream
- Speed controllable
- Swing-out fan unit
- Drain tray
- Sound insulated
- Housing made of aluminium AlMg3

— ErP compliant range

| Operating Point                        |       | 1    | 2    | 3    | 4    | 5    |
|--|-------|------|------|------|------|------|
| Current I                              | A     | 1,3  | 2,1  | 3,3  | 3,2  | 2,8  |
| Power consumption P <sub>i</sub>       | W     | 271  | 455  | 749  | 725  | 613  |
| Rotation speed n                       | 1/min | 3623 | 3629 | 3617 | 3621 | 3636 |
| SWL inlet L <sub>WA5</sub>             | dB(A) | 83   | 82   | 83   | 87   | 89   |
| SWL outlet L <sub>WA6</sub>            | dB(A) | 82   | 80   | 83   | 86   | 87   |
| SWL housing break out L <sub>WA2</sub> | dB(A) | -    | -    | -    | -    | -    |

| Sound power (L <sub>W</sub> ) dB(A) |                  | Medium Frequency Band |    |     |     |     |    |    |    |    |
|-------------------------------------|------------------|-----------------------|----|-----|-----|-----|----|----|----|----|
|                                     |                  | Σ                     | 63 | 125 | 250 | 500 | 1k | 2k | 4k | 8k |
| Inlet                               | L <sub>WA5</sub> | 83                    | 51 | 65  | 70  | 77  | 78 | 74 | 72 | 73 |
| Outlet                              | L <sub>WA6</sub> | 83                    | 54 | 71  | 75  | 80  | 74 | 70 | 66 | 61 |
| Housing radiation                   | L <sub>WA2</sub> | -                     | -  | -   | -   | -   | -  | -  | -  | -  |

| DVNI 250 EC 30   145174                    |          |
|--|----------|
| Voltage U <sub>N</sub>                     | 230 V 1~ |
| Current I <sub>max</sub>                   | 3,6 A    |
| Ambient temperature t <sub>A</sub>         | 40 °C    |
| Conveyed medium temperature t <sub>M</sub> | 120 °C   |
| Speed Control                              | 0-10V    |
| Motor protection                           | TEC      |
| Insulation class motor                     | F        |
| Weight                                     | 28,5 kg  |
| Number of poles                            | -        |
| IP motor                                   | IP54     |
| IP terminal box                            | -        |
| IP complete unit                           | -        |
| Min. operating temperature                 | -20 °C   |



**ruck**<sup>eu</sup>  
VENTILATOREN  
ruck Ventilatoren  
Max-Planck-Str. 5  
D-97944 Boxberg

Protection Mark  
according to ISO16016  
Created d.ursu  
Drawn d.ursu  
Released d.ursu  
Disabled

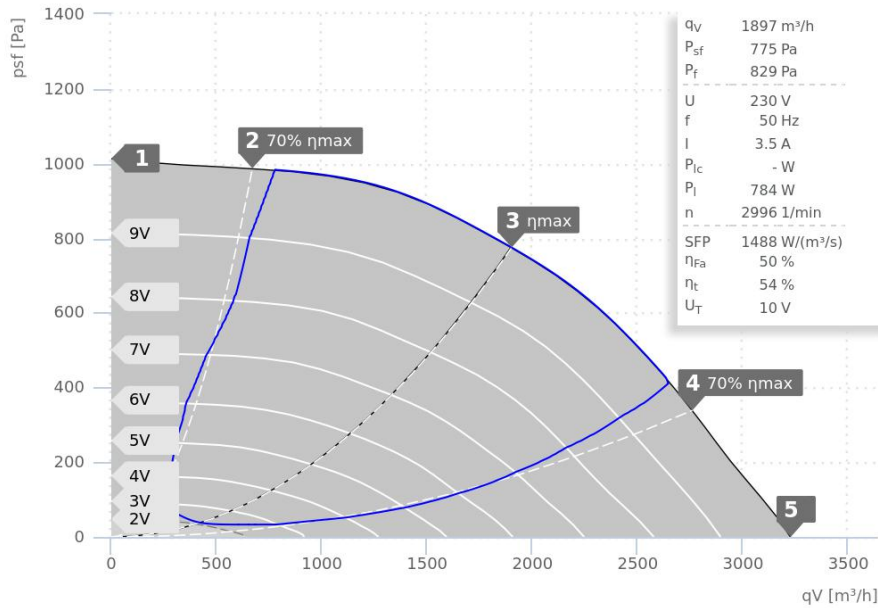
1:8 A4 mm  
General tolerances  
DIN ISO 2768-c  
07.03.2018  
07.03.2018  
30.08.2018

**DVNI250EC30**  
**145174 01**



# DATA SHEET

## DVNI 280 EC 30 | 145175



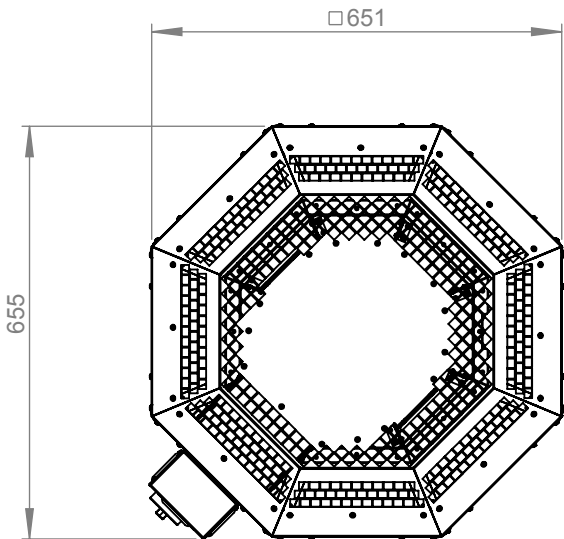
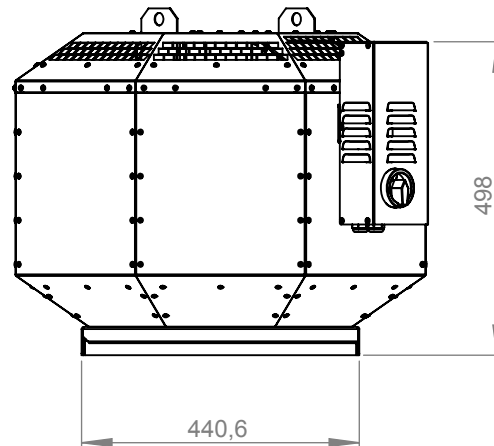
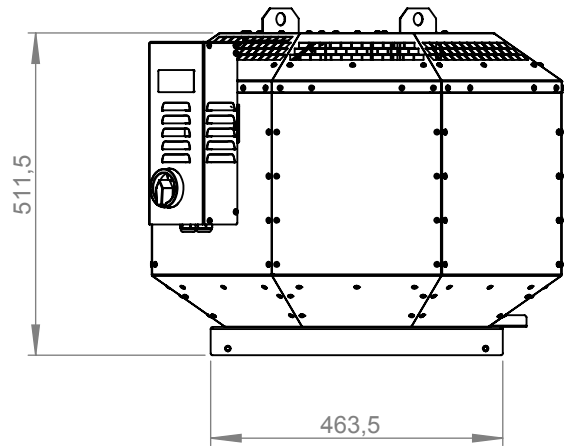
- Max. medium temperature 120°C
- EC-motor outside of air stream
- Speed controllable
- Swing-out fan unit
- Drain tray
- Sound insulated
- Housing made of aluminium AlMg3

— ErP compliant range

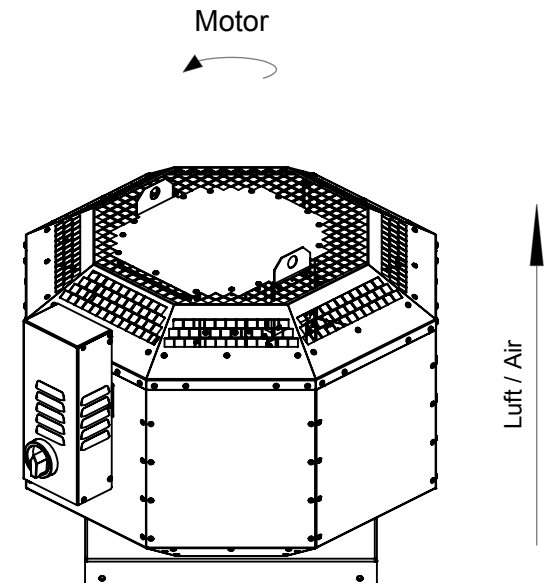
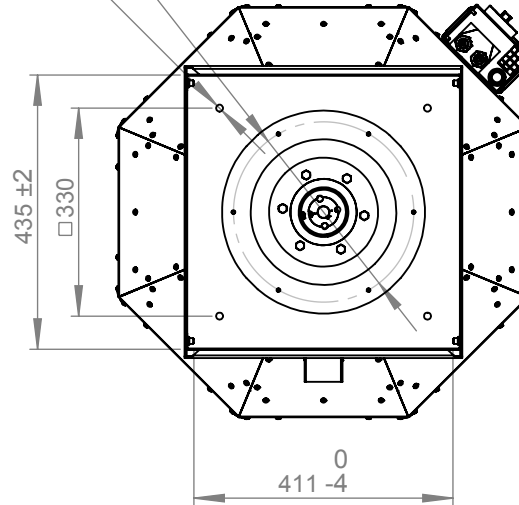
| Operating Point                 |       | 1    | 2    | 3    | 4    | 5    |
|---------------------------------|-------|------|------|------|------|------|
| Current $I$                     | A     | 1,3  | 2,3  | 3,5  | 3,2  | 2,6  |
| Power consumption $P_1$         | W     | 258  | 506  | 786  | 706  | 583  |
| Rotation speed $n$              | 1/min | 2997 | 3000 | 2998 | 3000 | 3000 |
| SWL inlet $L_{WA5}$             | dB(A) | 81   | 80   | 81   | 86   | 87   |
| SWL outlet $L_{WA6}$            | dB(A) | 81   | 81   | 81   | 85   | 86   |
| SWL housing break out $L_{WA2}$ | dB(A) | -    | -    | -    | -    | -    |

| Sound power ( $L_W$ ) dB(A) |           | Medium Frequency Band |    |     |     |     |    |    |    |    |
|-----------------------------|-----------|-----------------------|----|-----|-----|-----|----|----|----|----|
|                             |           | $\Sigma$              | 63 | 125 | 250 | 500 | 1k | 2k | 4k | 8k |
| Inlet                       | $L_{WA5}$ | 81                    | 63 | 64  | 72  | 77  | 74 | 71 | 67 | 63 |
| Outlet                      | $L_{WA6}$ | 81                    | 69 | 69  | 76  | 76  | 74 | 70 | 65 | 62 |
| Housing radiation           | $L_{WA2}$ | -                     | -  | -   | -   | -   | -  | -  | -  | -  |

| DVNI 280 EC 30   145175           |          |
|-----------------------------------|----------|
| Voltage $U_N$                     | 230 V 1~ |
| Current $I_{max}$                 | 3,7 A    |
| Ambient temperature $t_A$         | 40 °C    |
| Conveyed medium temperature $t_M$ | 120 °C   |
| Speed Control                     | 0-10V    |
| Motor protection                  | TEC      |
| Insulation class motor            | F        |
| Weight                            | 36,7 kg  |
| Number of poles                   | -        |
| IP motor                          | IP54     |
| IP terminal box                   | -        |
| IP complete unit                  | -        |
| Min. operating temperature        | -20 °C   |



$\varnothing 286$   
 6x M6x15  
 4x  $\varnothing 11$



**ruck**<sup>eu</sup>  
 VENTILATOREN  
 ruck Ventilatoren  
 Max-Planck-Str. 5  
 D-97944 Boxberg



Protection Mark  
 according to ISO 16016  
 Created a.mezei  
 Drawn a.mezei  
 Released a.ganea  
 Disabled

1:12 A4 mm

General tolerances  
 DIN ISO 2768-c

**DVNI280EC30**

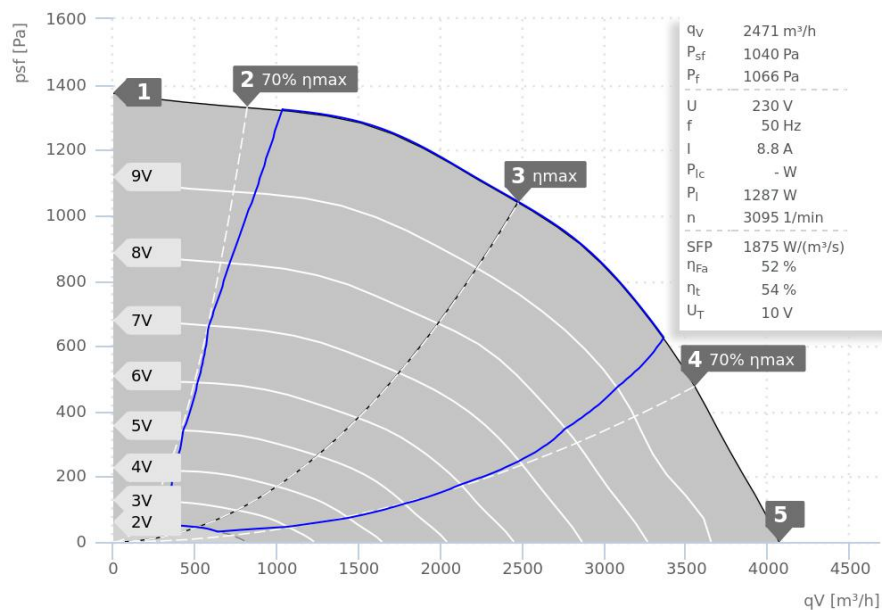
**145175 01**

**VENTAS**  
 VENTILATORER

# DATA SHEET

**ruck**.eu  
VENTILATOREN

DVNI 315 EC 30 | 145176



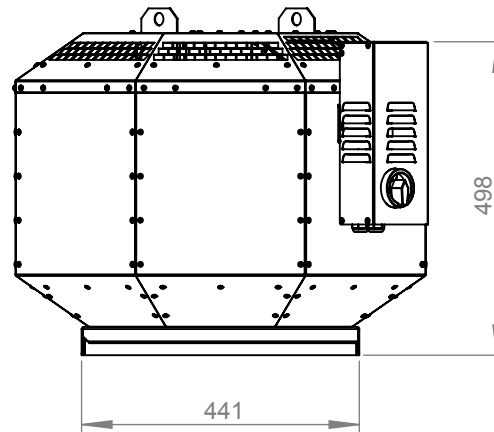
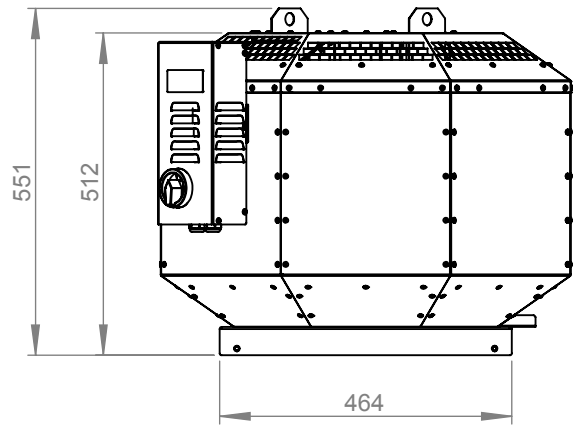
- Max. medium temperature 120°C
- EC-motor outside of air stream
- Speed controllable
- Swing-out fan unit
- Drain tray
- Sound insulated
- Housing made of aluminium AlMg3

— ErP compliant range

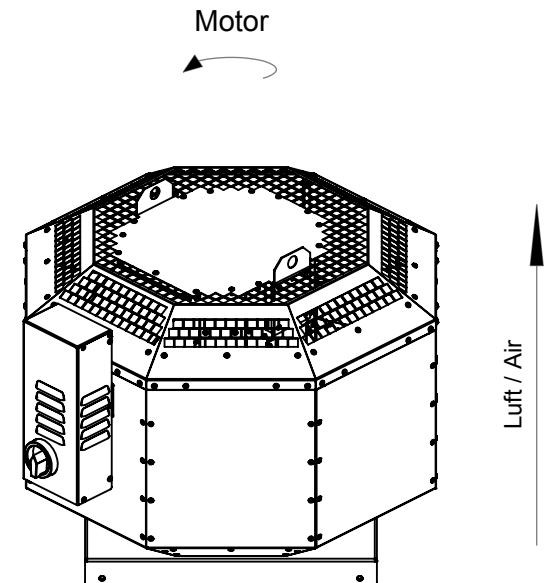
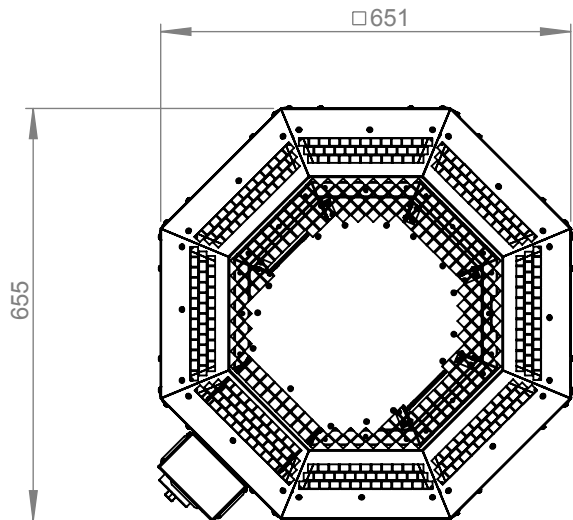
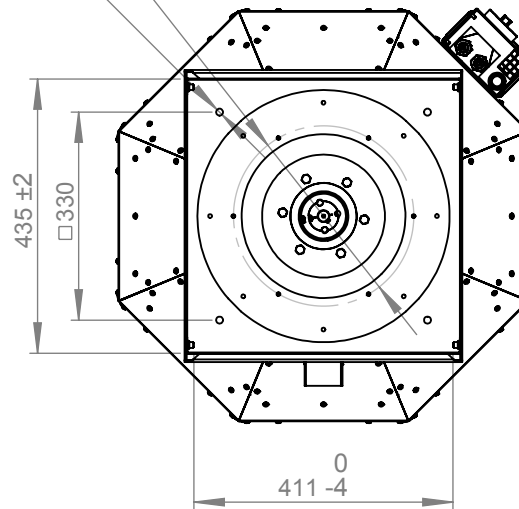
| Operating Point                        |       | 1    | 2    | 3    | 4    | 5    |
|--|-------|------|------|------|------|------|
| Current I                              | A     | 3,3  | 5,6  | 8,8  | 8,2  | 6,6  |
| Power consumption P <sub>i</sub>       | W     | 441  | 781  | 1291 | 1196 | 962  |
| Rotation speed n                       | 1/min | 3087 | 3097 | 3098 | 3097 | 3098 |
| SWL inlet L <sub>WA5</sub>             | dB(A) | 86   | 85   | 85   | 89   | 91   |
| SWL outlet L <sub>WA6</sub>            | dB(A) | 84   | 84   | 85   | 88   | 89   |
| SWL housing break out L <sub>WA2</sub> | dB(A) | -    | -    | -    | -    | -    |

| Sound power (L <sub>w</sub> ) dB(A) |                  | Medium Frequency Band |    |     |     |     |    |    |    |    |
|-------------------------------------|------------------|-----------------------|----|-----|-----|-----|----|----|----|----|
|                                     |                  | Σ                     | 63 | 125 | 250 | 500 | 1k | 2k | 4k | 8k |
| Inlet                               | L <sub>WA5</sub> | 85                    | 54 | 66  | 75  | 81  | 78 | 77 | 74 | 72 |
| Outlet                              | L <sub>WA6</sub> | 85                    | 56 | 71  | 77  | 82  | 77 | 74 | 70 | 66 |
| Housing radiation                   | L <sub>WA2</sub> | -                     | -  | -   | -   | -   | -  | -  | -  | -  |

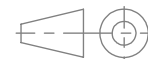
| DVNI 315 EC 30   145176                    |          |
|--|----------|
| Voltage U <sub>N</sub>                     | 230 V 1~ |
| Current I <sub>max</sub>                   | 9,6 A    |
| Ambient temperature t <sub>A</sub>         | 50 °C    |
| Conveyed medium temperature t <sub>M</sub> | 120 °C   |
| Speed Control                              | 0-10V    |
| Motor protection                           | TEC      |
| Insulation class motor                     | F        |
| Weight                                     | 48,6 kg  |
| Number of poles                            | -        |
| IP motor                                   | IP54     |
| IP terminal box                            | -        |
| IP complete unit                           | -        |
| Min. operating temperature                 | -20 °C   |



$\varnothing 286$   
 6x M6x15  
 4x  $\varnothing 11$



ruck Ventilatoren  
 Max-Planck-Str. 5  
 D-97944 Boxberg



Protection Mark  
 according to ISO16016

Drawn: a.mezei  
 Created: a.mezei  
 Changed:

1:12 A4 mm

General tolerances  
 DIN ISO 2768-c

DVNI315EC30

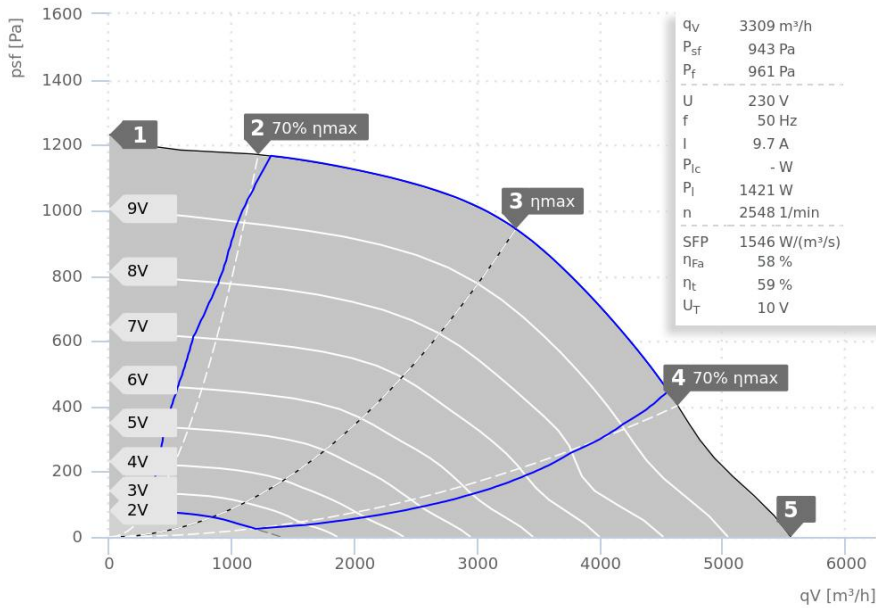
145176 01





# DATA SHEET

## DVNI 355 EC 30 | 145177



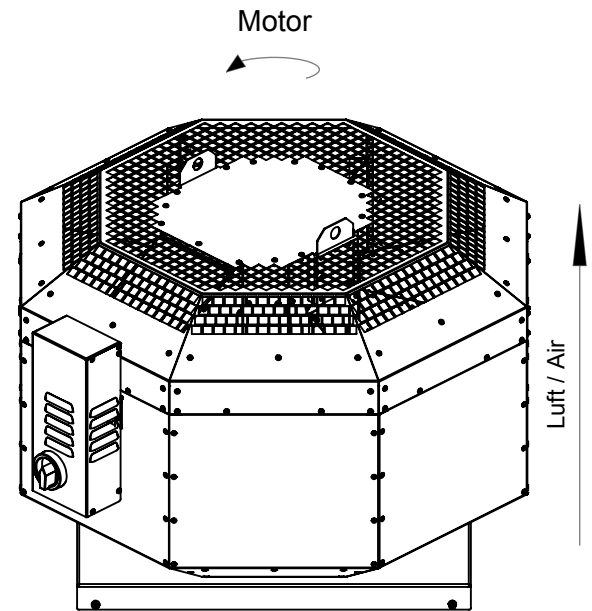
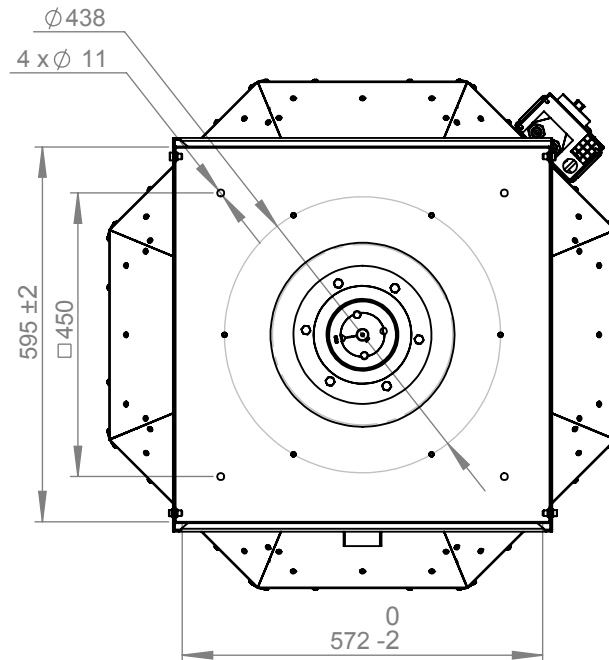
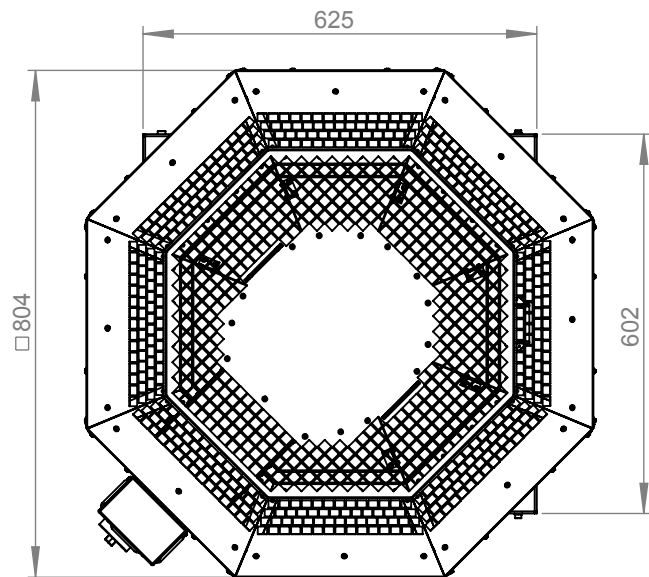
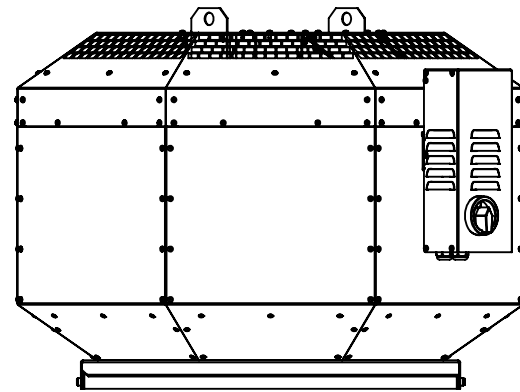
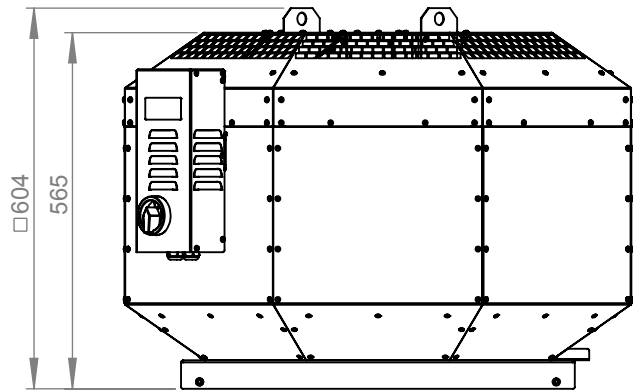
- Max. medium temperature 120°C
- EC-motor outside of air stream
- Speed controllable
- Swing-out fan unit
- Drain tray
- Sound insulated
- Housing made of aluminium AlMg3

— ErP compliant range

| Operating Point                        |       | 1    | 2    | 3    | 4    | 5    |
|--|-------|------|------|------|------|------|
| Current I                              | A     | 3,6  | 6,6  | 9,7  | 8,3  | 7,0  |
| Power consumption P <sub>i</sub>       | W     | 433  | 928  | 1421 | 1206 | 992  |
| Rotation speed n                       | 1/min | 2543 | 2548 | 2548 | 2548 | 2548 |
| SWL inlet L <sub>WA5</sub>             | dB(A) | 84   | 83   | 82   | 86   | 88   |
| SWL outlet L <sub>WA6</sub>            | dB(A) | 84   | 82   | 82   | 85   | 86   |
| SWL housing break out L <sub>WA2</sub> | dB(A) | -    | -    | -    | -    | -    |

| Sound power (L <sub>W</sub> ) dB(A) |                  | Medium Frequency Band |    |     |     |     |    |    |    |    |
|-------------------------------------|------------------|-----------------------|----|-----|-----|-----|----|----|----|----|
|                                     |                  | Σ                     | 63 | 125 | 250 | 500 | 1k | 2k | 4k | 8k |
| Inlet                               | L <sub>WA5</sub> | 82                    | 48 | 58  | 75  | 75  | 75 | 74 | 76 | 65 |
| Outlet                              | L <sub>WA6</sub> | 82                    | 53 | 65  | 77  | 75  | 75 | 71 | 69 | 61 |
| Housing radiation                   | L <sub>WA2</sub> | -                     | -  | -   | -   | -   | -  | -  | -  | -  |

| DVNI 355 EC 30   145177                    |          |
|--|----------|
| Voltage U <sub>N</sub>                     | 230 V 1~ |
| Current I <sub>max</sub>                   | 10,1 A   |
| Ambient temperature t <sub>A</sub>         | 50 °C    |
| Conveyed medium temperature t <sub>M</sub> | 120 °C   |
| Speed Control                              | 0-10V    |
| Motor protection                           | TEC      |
| Insulation class motor                     | F        |
| Weight                                     | 60,9 kg  |
| Number of poles                            | -        |
| IP motor                                   | IP54     |
| IP terminal box                            | -        |
| IP complete unit                           | -        |
| Min. operating temperature                 | -20 °C   |



**ruck**<sup>eu</sup>  
VENTILATOREN  
ruck Ventilatoren  
Max-Planck-Str. 5  
D-97944 Boxberg



Protection Mark  
according to ISO 16016

Created a.mezei  
Drawn a.mezei  
Released d.ursu  
Disabled

1:12 A4 mm

General tolerances  
DIN ISO 2768-c

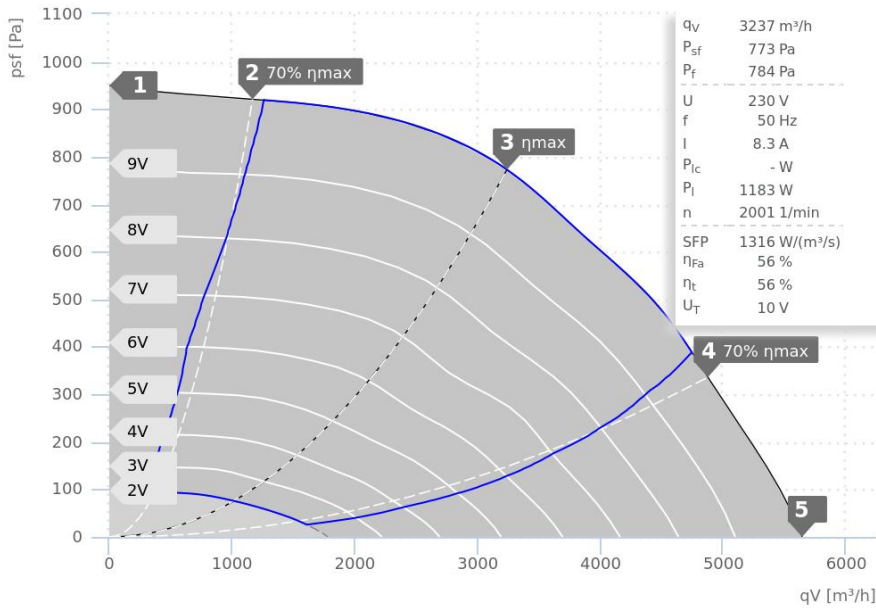
**DVNI355EC30+**

**145177 01**

**VENTAS**  
VENTILATORER

# DATA SHEET

## DVNI 400 EC 30 | 145178



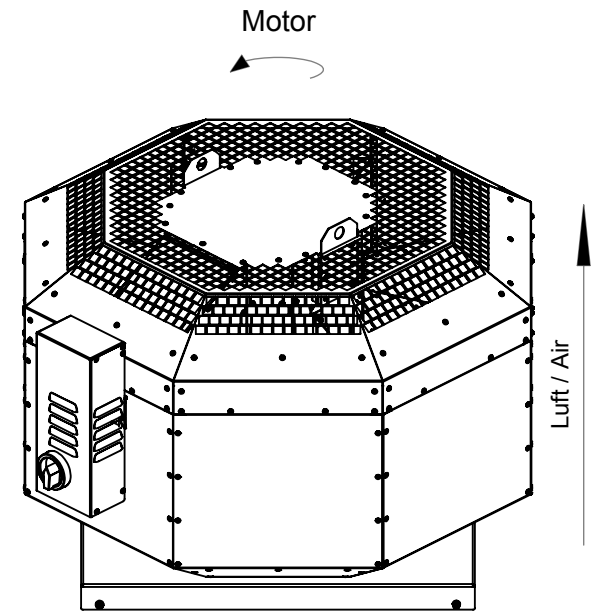
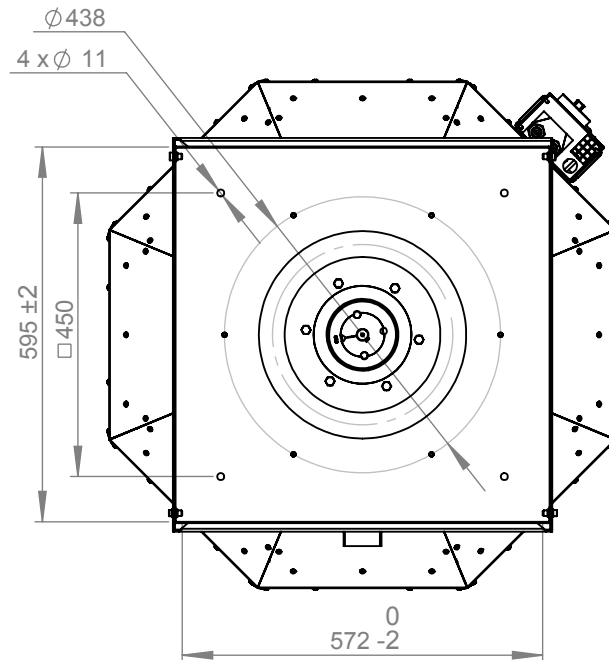
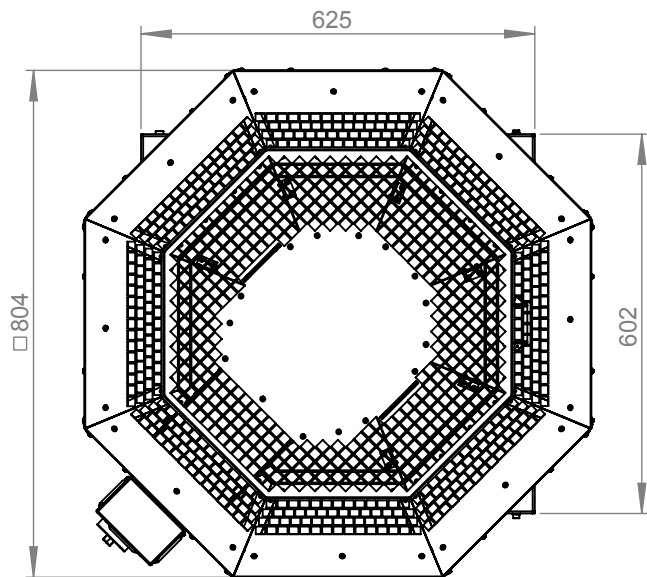
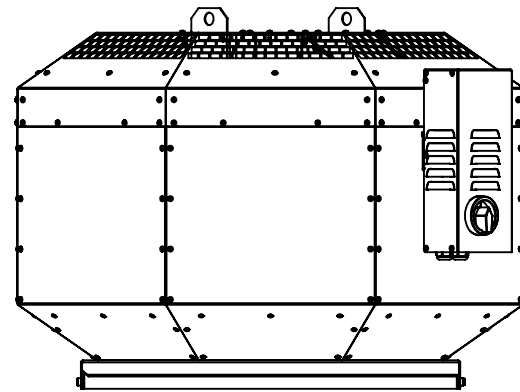
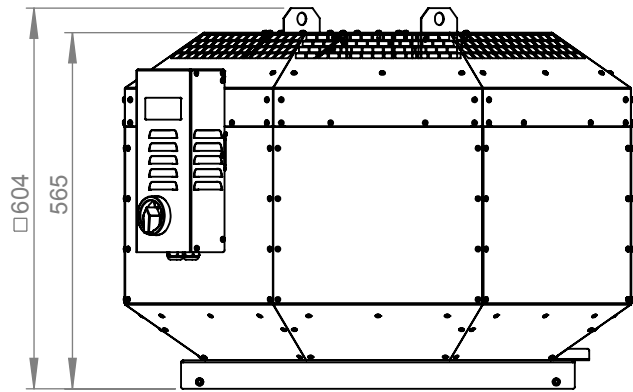
- Max. medium temperature 120°C
- EC-motor outside of air stream
- Speed controllable
- Swing-out fan unit
- Drain tray
- Sound insulated
- Housing made of aluminium AlMg3

— ErP compliant range

| Operating Point                        |       | 1    | 2    | 3    | 4    | 5    |
|--|-------|------|------|------|------|------|
| Current I                              | A     | 3,0  | 5,3  | 8,3  | 7,8  | 6,2  |
| Power consumption P <sub>i</sub>       | W     | 382  | 738  | 1183 | 1106 | 873  |
| Rotation speed n                       | 1/min | 2000 | 2001 | 2001 | 2001 | 2000 |
| SWL inlet L <sub>WA5</sub>             | dB(A) | 80   | 79   | 78   | 83   | 86   |
| SWL outlet L <sub>WA6</sub>            | dB(A) | 80   | 79   | 80   | 85   | 87   |
| SWL housing break out L <sub>WA2</sub> | dB(A) | -    | -    | -    | -    | -    |

| Sound power (L <sub>W</sub> ) dB(A) |                  | Medium Frequency Band |    |     |     |     |    |    |    |    |
|-------------------------------------|------------------|-----------------------|----|-----|-----|-----|----|----|----|----|
|                                     |                  | Σ                     | 63 | 125 | 250 | 500 | 1k | 2k | 4k | 8k |
| Inlet                               | L <sub>WA5</sub> | 78                    | 49 | 60  | 71  | 73  | 71 | 70 | 67 | 60 |
| Outlet                              | L <sub>WA6</sub> | 80                    | 51 | 64  | 77  | 74  | 72 | 69 | 65 | 58 |
| Housing radiation                   | L <sub>WA2</sub> | -                     | -  | -   | -   | -   | -  | -  | -  | -  |

| DVNI 400 EC 30   145178                    |          |
|--|----------|
| Voltage U <sub>N</sub>                     | 230 V 1~ |
| Current I <sub>max</sub>                   | 8,8 A    |
| Ambient temperature t <sub>A</sub>         | 50 °C    |
| Conveyed medium temperature t <sub>M</sub> | 120 °C   |
| Speed Control                              | 0-10V    |
| Motor protection                           | TEC      |
| Insulation class motor                     | F        |
| Weight                                     | 62,8 kg  |
| Number of poles                            | -        |
| IP motor                                   | IP54     |
| IP terminal box                            | -        |
| IP complete unit                           | -        |
| Min. operating temperature                 | -20 °C   |



**ruck**<sup>eu</sup>  
VENTILATOREN  
ruck Ventilatoren  
Max-Planck-Str. 5  
D-97944 Boxberg



Protection Mark  
according to ISO 16016  
Created a.mezei  
Drawn a.mezei  
Released d.ursu  
Disabled

1:12 A4 mm

General tolerances  
DIN ISO 2768-c

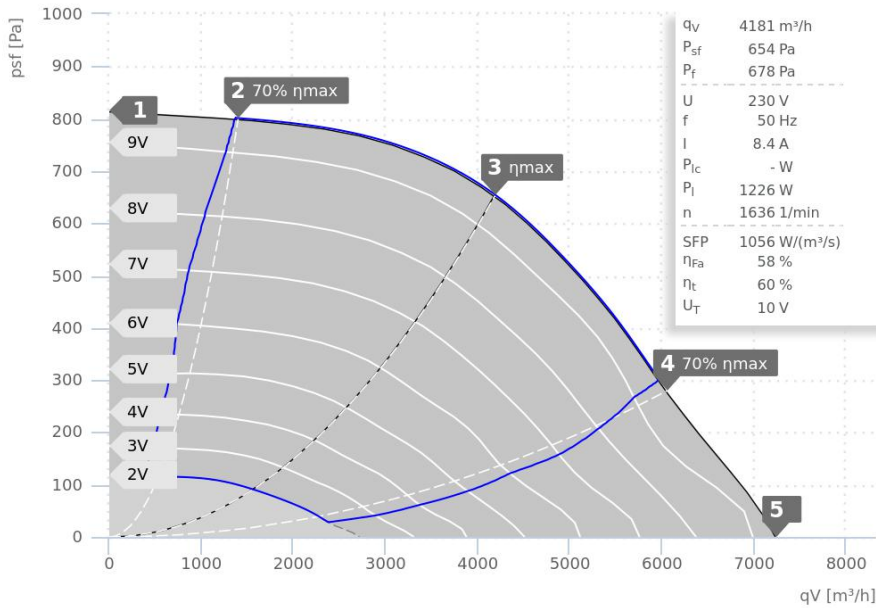
**DVNI400EC30+**

**145178 01**

**VENTAS**  
VENTILATOREN

# DATA SHEET

## DVNI 450 EC 30 | 145180



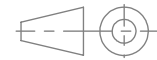
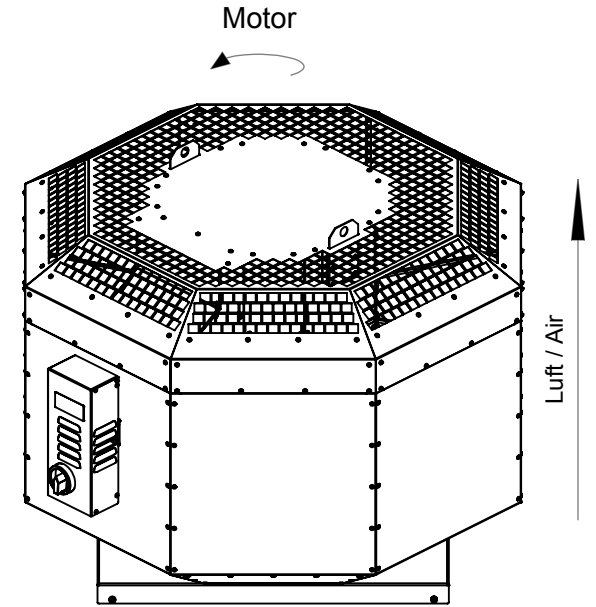
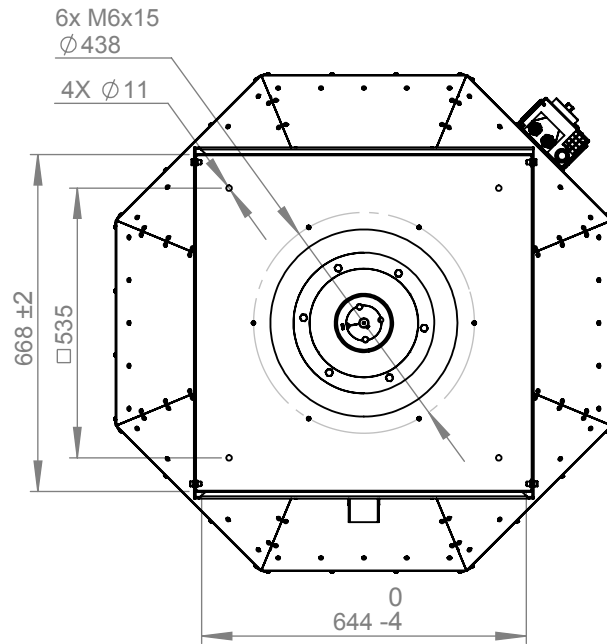
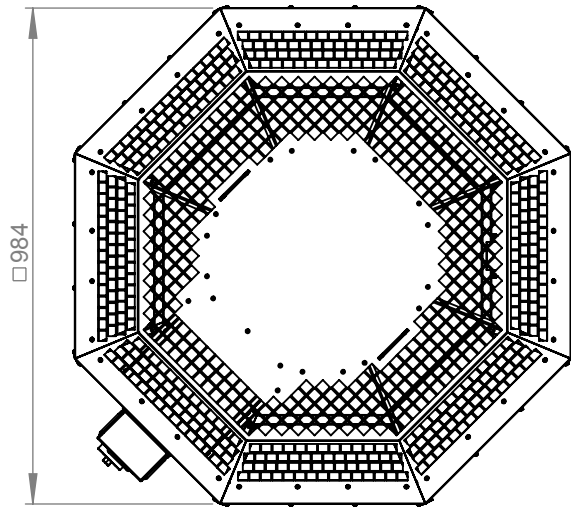
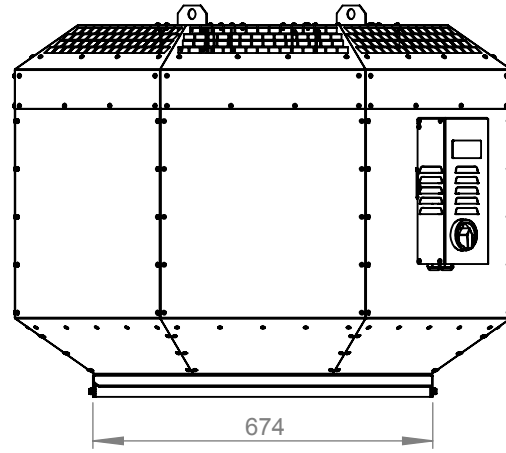
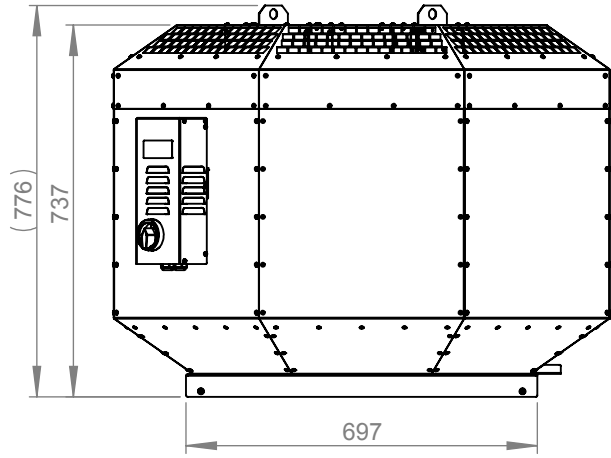
- Max. medium temperature 120°C
- EC-motor outside of air stream
- Speed controllable
- Swing-out fan unit
- Drain tray
- Sound insulated
- Housing made of aluminium AlMg3

— ErP compliant range

| Operating Point                 |       | 1    | 2    | 3    | 4    | 5    |
|---------------------------------|-------|------|------|------|------|------|
| Current I                       | A     | 2,9  | 5,1  | 8,4  | 7,4  | 6,2  |
| Power consumption $P_i$         | W     | 340  | 722  | 1228 | 1084 | 889  |
| Rotation speed n                | 1/min | 1629 | 1641 | 1637 | 1640 | 1641 |
| SWL inlet $L_{WA5}$             | dB(A) | 80   | 78   | 82   | 85   | 86   |
| SWL outlet $L_{WA6}$            | dB(A) | 77   | 76   | 78   | 82   | 83   |
| SWL housing break out $L_{WA2}$ | dB(A) | -    | -    | -    | -    | -    |

| Sound power ( $L_W$ ) dB(A) |           | Medium Frequency Band |    |     |     |     |    |    |    |    |
|-----------------------------|-----------|-----------------------|----|-----|-----|-----|----|----|----|----|
|                             |           | $\Sigma$              | 63 | 125 | 250 | 500 | 1k | 2k | 4k | 8k |
| Inlet                       | $L_{WA5}$ | 82                    | 48 | 59  | 72  | 75  | 72 | 78 | 71 | 62 |
| Outlet                      | $L_{WA6}$ | 78                    | 51 | 62  | 74  | 72  | 69 | 65 | 62 | 54 |
| Housing radiation           | $L_{WA2}$ | -                     | -  | -   | -   | -   | -  | -  | -  | -  |

| DVNI 450 EC 30   145180           |          |
|-----------------------------------|----------|
| Voltage $U_N$                     | 230 V 1~ |
| Current $I_{max}$                 | 8,9 A    |
| Ambient temperature $t_A$         | 50 °C    |
| Conveyed medium temperature $t_M$ | 120 °C   |
| Speed Control                     | 0-10V    |
| Motor protection                  | TEC      |
| Insulation class motor            | F        |
| Weight                            | 103,4 kg |
| Number of poles                   | -        |
| IP motor                          | IP54     |
| IP terminal box                   | -        |
| IP complete unit                  | -        |
| Min. operating temperature        | -20 °C   |



1:15 A4 mm

Protection Mark according to ISO16016

General tolerances DIN ISO 2768-c

DVNI450EC30+

Created d.ursu  
 Drawn d.ursu  
 Released d.ursu  
 Disabled

31.07.2018  
 31.07.2018  
 31.07.2018

145180 00

