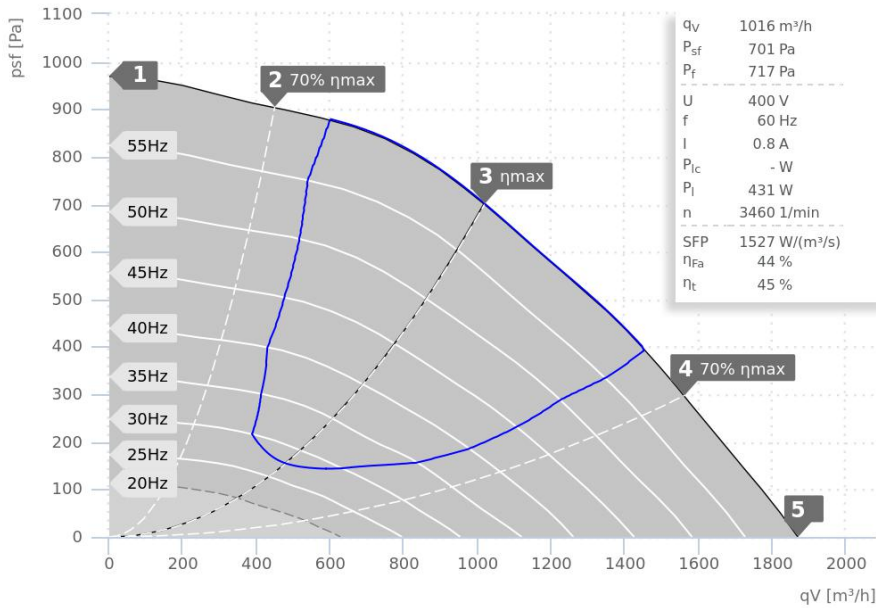


DATA SHEET

DVNI 225 D2 30 | 145034



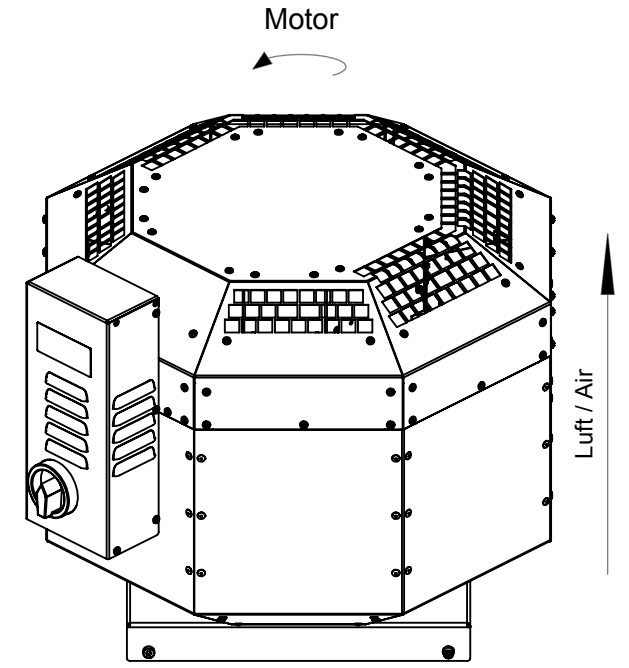
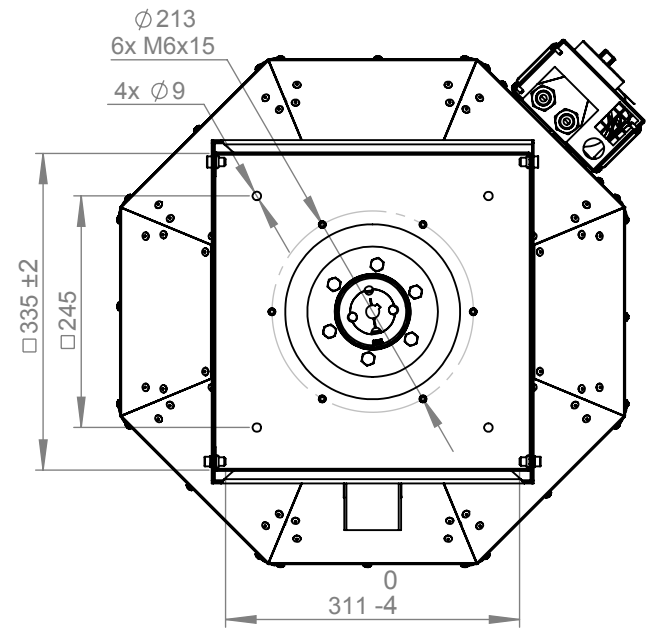
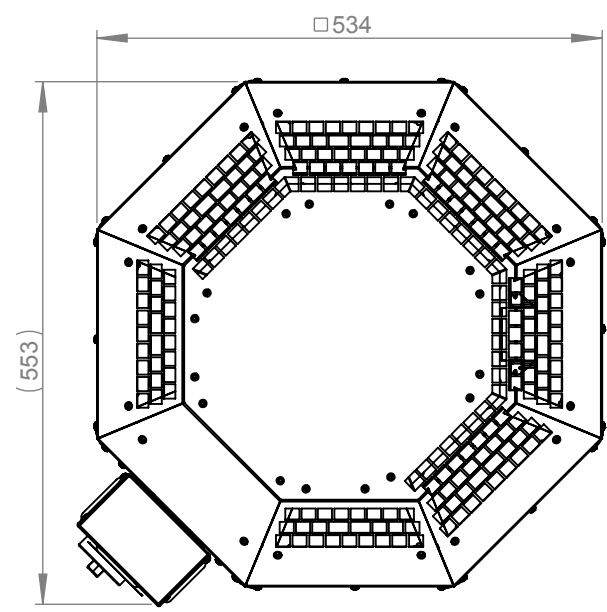
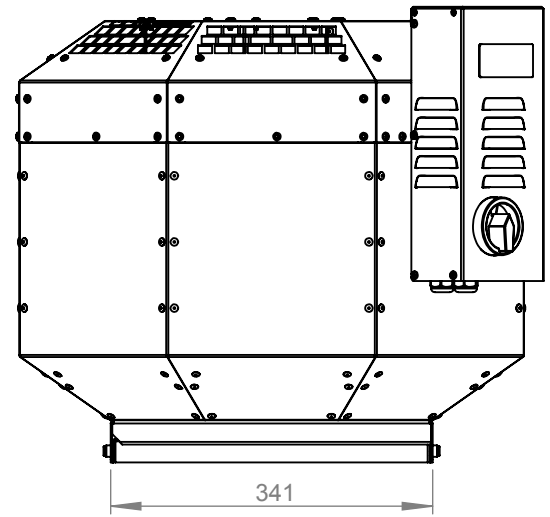
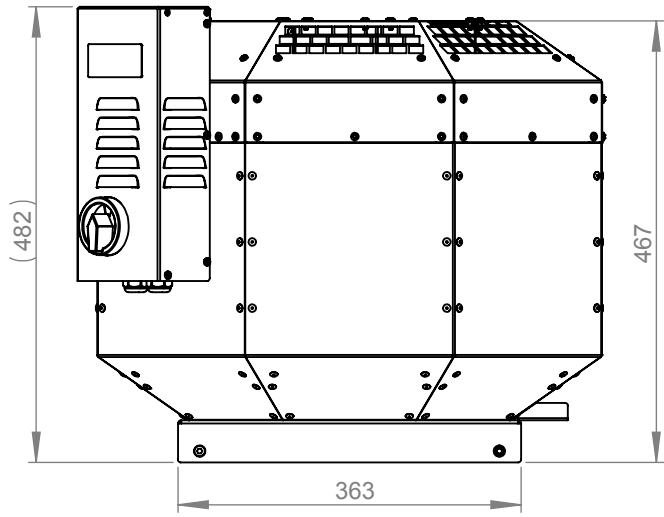
- Max. medium temperature 120°C
- Motor outside of air stream
- Swing-out fan unit
- Drain tray
- Sound insulated
- Star-Delta operation possible
- Star: direct 400V 3~ grid or frequency converter with 400V output
- Delta: direct 230V 3~ grid or frequency converter with 230V 1~ input and 230V 3~ output

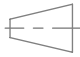

— ErP compliant range

Operating Point		1	2	3	4	5
Current I	A	0,5	0,7	0,8	0,7	0,7
Power consumption P _l	W	210	362	432	400	342
Rotation speed n	1/min	3539	3486	3464	3477	3500
SWL inlet L _{WA5}	dB(A)	79	78	77	82	84
SWL outlet L _{WA6}	dB(A)	77	77	75	79	81
SWL housing break out L _{WA2}	dB(A)	-	-	-	-	-

Sound power (L _W) dB(A)		Medium Frequency Band								
		Σ	63	125	250	500	1k	2k	4k	8k
Inlet	L _{WA5}	77	47	59	64	70	73	69	66	62
Outlet	L _{WA6}	75	48	61	67	71	68	65	59	52
Housing radiation	L _{WA2}	-	-	-	-	-	-	-	-	-

DVNI 225 D2 30 145034	
Voltage U _N	400 V 3~
Current I _{max}	0,8 A
Ambient temperature t _A	50 °C
Conveyed medium temperature t _M	120 °C
Speed Control	f
Motor protection	-
Insulation class motor	F
Weight	36,4 kg
Number of poles	2
IP motor	IP55
IP terminal box	-
IP complete unit	-
Min. operating temperature	-20 °C





 1:8 A4 mm
 Protection Mark according to ISO16016
 General tolerances DIN ISO 2768-c
 Created d.ursu 07.03.2018
 Drawn d.ursu 07.03.2018
 Released d.ursu 29.08.2018
 Disabled

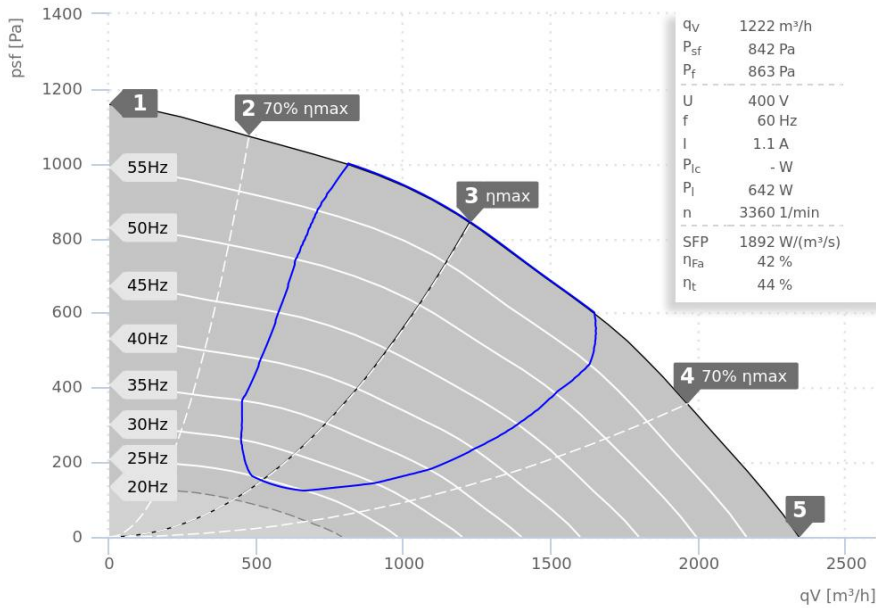
DVNI225D230

145034 01



DATA SHEET

DVNI 250 D2 30 | 145035



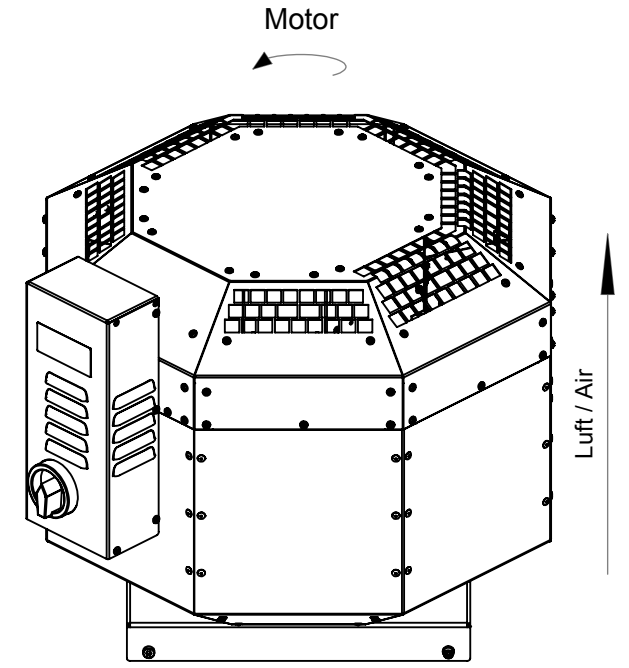
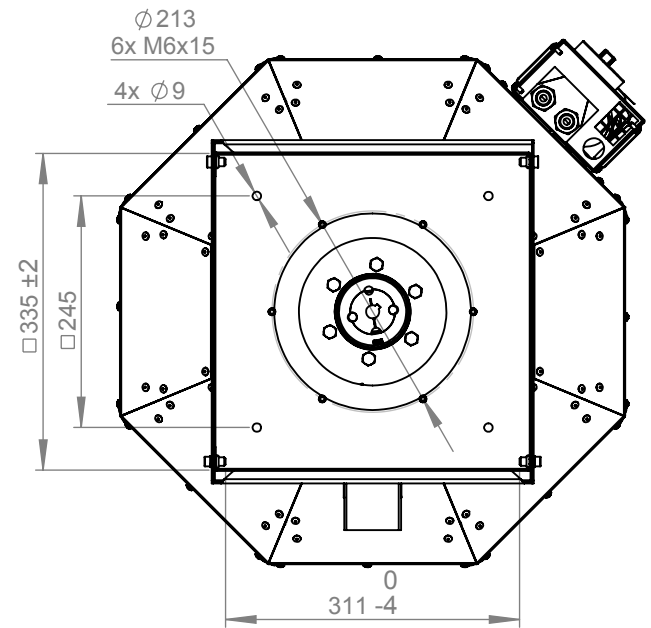
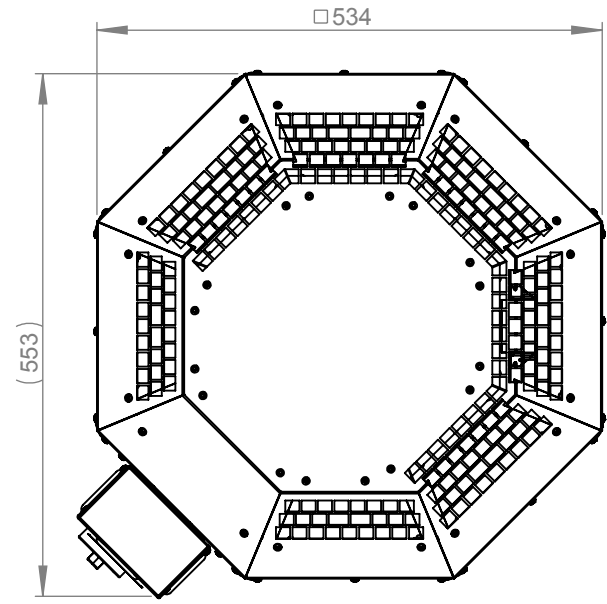
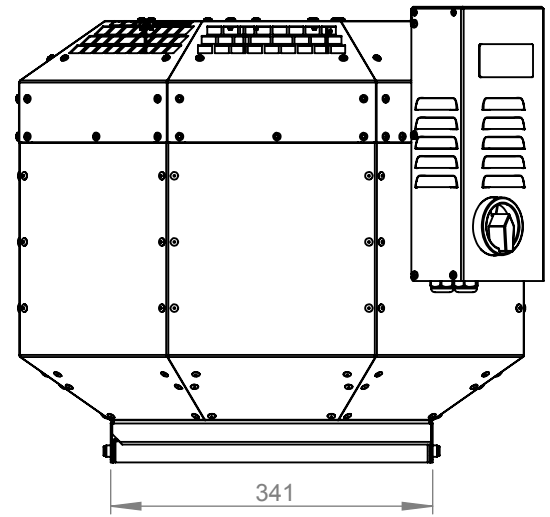
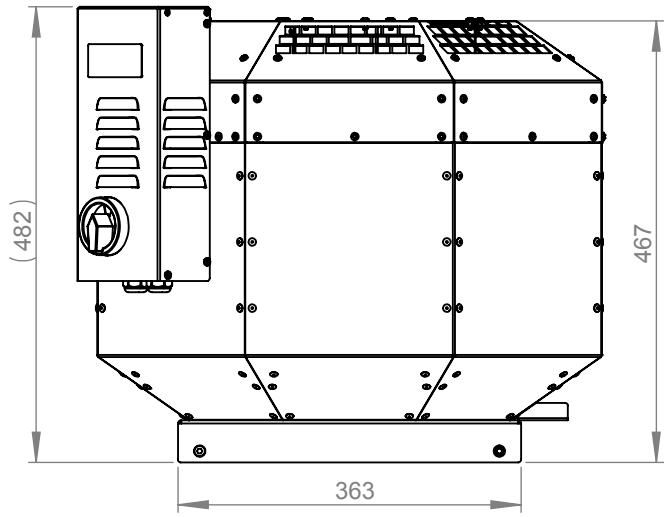
- Max. medium temperature 120°C
- Motor outside of air stream
- Swing-out fan unit
- Drain tray
- Sound insulated
- Star-Delta operation possible
- Star: direct 400V 3~ grid or frequency converter with 400V output
- Delta: direct 230V 3~ grid or frequency converter with 230V 1~ input and 230V 3~ output

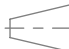

— ErP compliant range

Operating Point		1	2	3	4	5
Current I	A	0,6	0,8	1,1	1,0	0,9
Power consumption P _i	W	279	466	644	624	543
Rotation speed n	1/min	3508	3432	3363	3379	3421
SWL inlet L _{WA5}	dB(A)	82	82	80	85	87
SWL outlet L _{WA6}	dB(A)	80	80	78	83	85
SWL housing break out L _{WA2}	dB(A)	-	-	-	-	-

Sound power (L _W) dB(A)		Medium Frequency Band								
		Σ	63	125	250	500	1k	2k	4k	8k
Inlet	L _{WA5}	80	51	63	69	73	75	72	72	72
Outlet	L _{WA6}	78	54	67	71	74	72	68	63	58
Housing radiation	L _{WA2}	-	-	-	-	-	-	-	-	-

DVNI 250 D2 30 145035	
Voltage U _N	400 V 3~
Current I _{max}	1,1 A
Ambient temperature t _A	50 °C
Conveyed medium temperature t _M	120 °C
Speed Control	f
Motor protection	-
Insulation class motor	F
Weight	36,8 kg
Number of poles	2
IP motor	IP55
IP terminal box	-
IP complete unit	-
Min. operating temperature	-20 °C



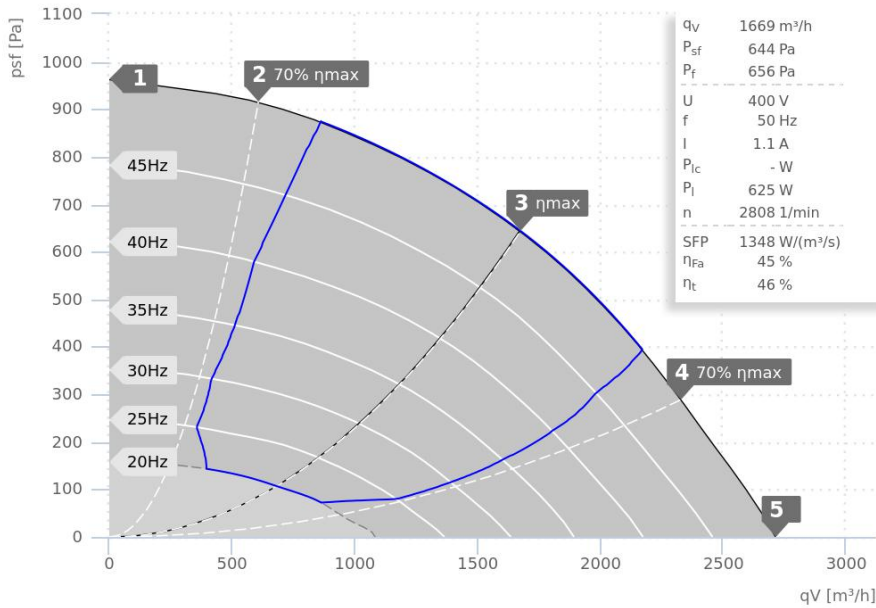


 1:8 A4 mm
 Protection Mark according to ISO16016
 General tolerances DIN ISO 2768-c
 Created d.ursu 07.03.2018
 Drawn d.ursu 07.03.2018
 Released d.ursu 29.08.2018
 Disabled

DVNI250D230
145035 01



DATA SHEET

DVNI 280 D2 30 | 145036



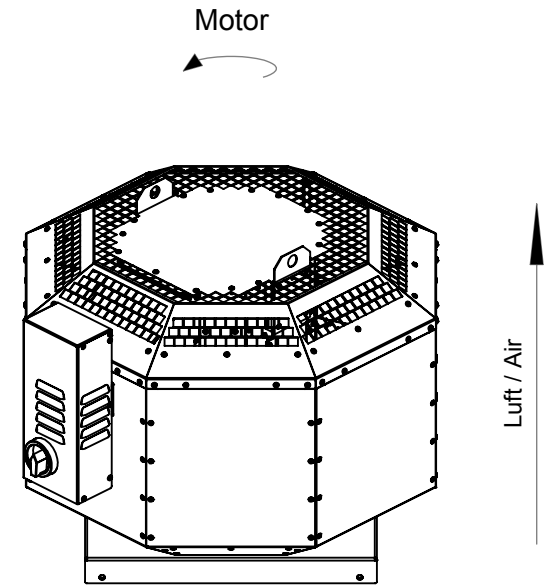
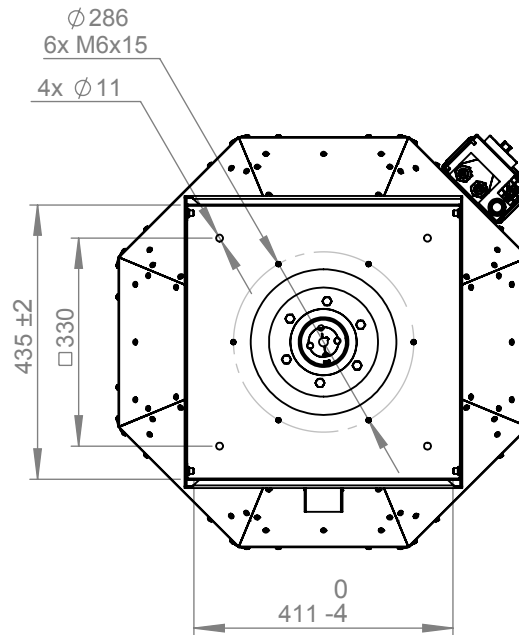
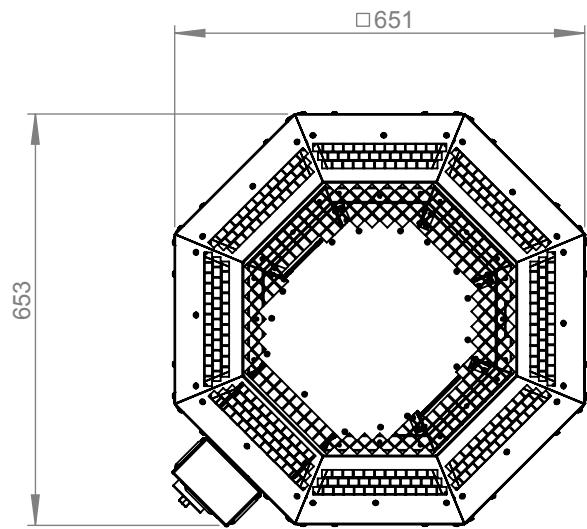
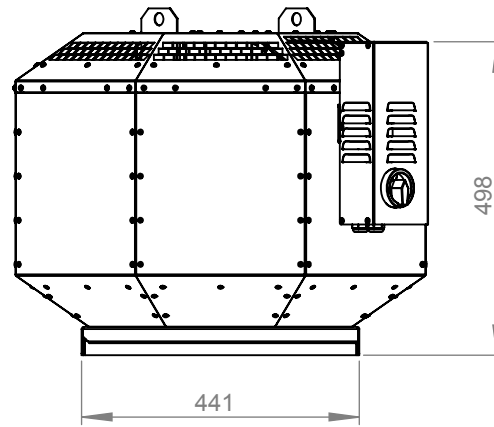
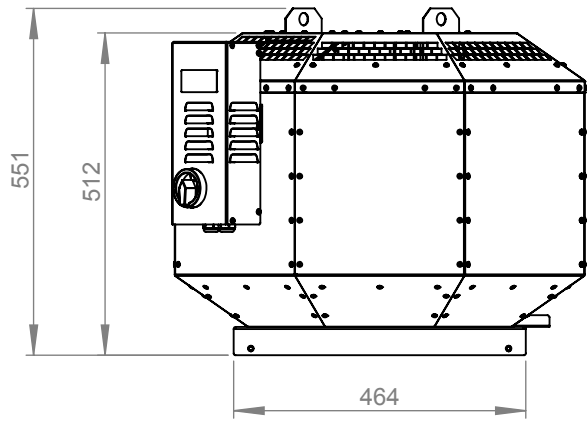
- Max. medium temperature 120°C
- Motor outside of air stream
- Swing-out fan unit
- Drain tray
- Sound insulated
- Star-Delta operation possible
- Star: direct 400V 3~ grid or frequency converter with 400V output
- Delta: direct 230V 3~ grid or frequency converter with 230V 1~ input and 230V 3~ output

— ErP compliant range

Operating Point		1	2	3	4	5
Current I	A	0,7	0,9	1,1	1,0	0,9
Power consumption P _i	W	256	472	626	554	475
Rotation speed n	1/min	2920	2860	2810	2838	2863
SWL inlet L _{WA5}	dB(A)	80	80	81	84	86
SWL outlet L _{WA6}	dB(A)	80	81	82	85	87
SWL housing break out L _{WA2}	dB(A)	-	-	-	-	-

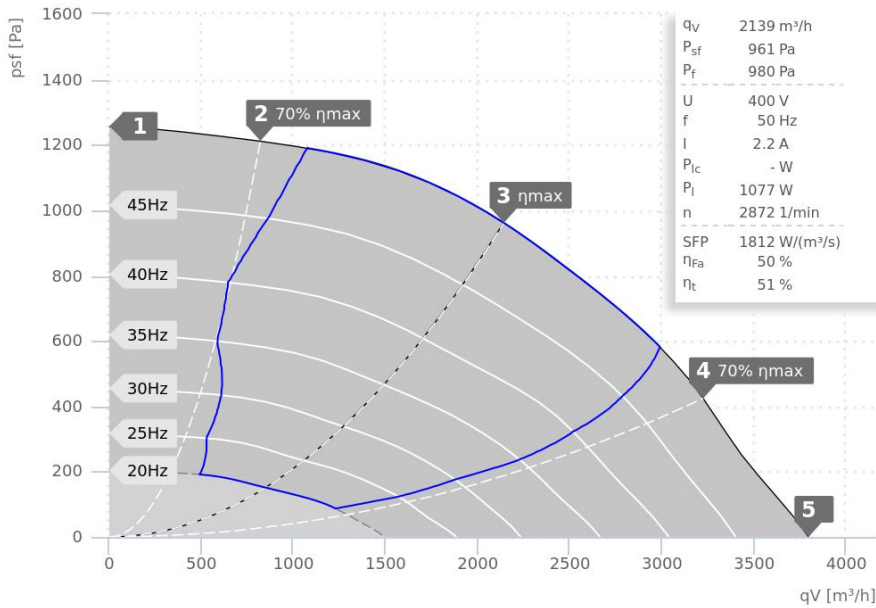
Sound power (L _W) dB(A)		Medium Frequency Band								
		Σ	63	125	250	500	1k	2k	4k	8k
Inlet	L _{WA5}	81	51	62	72	76	73	71	72	69
Outlet	L _{WA6}	82	56	70	78	75	74	69	64	61
Housing radiation	L _{WA2}	-	-	-	-	-	-	-	-	-

DVNI 280 D2 30 145036	
Voltage U _N	400 V 3~
Current I _{max}	1,1 A
Ambient temperature t _A	50 °C
Conveyed medium temperature t _M	120 °C
Speed Control	f
Motor protection	-
Insulation class motor	F
Weight	44,6 kg
Number of poles	2
IP motor	IP55
IP terminal box	-
IP complete unit	-
Min. operating temperature	-20 °C



DATA SHEET

DVNI 315 D2 30 | 145037



— ErP compliant range

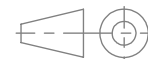
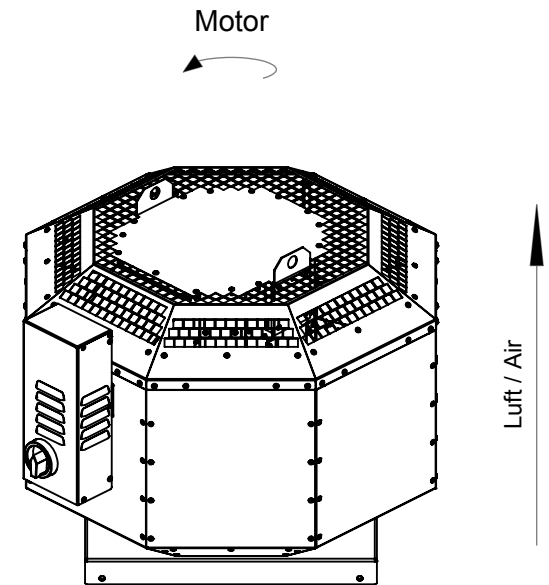
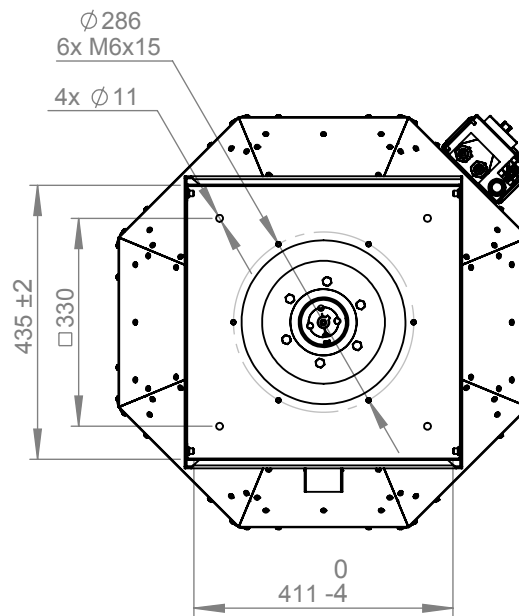
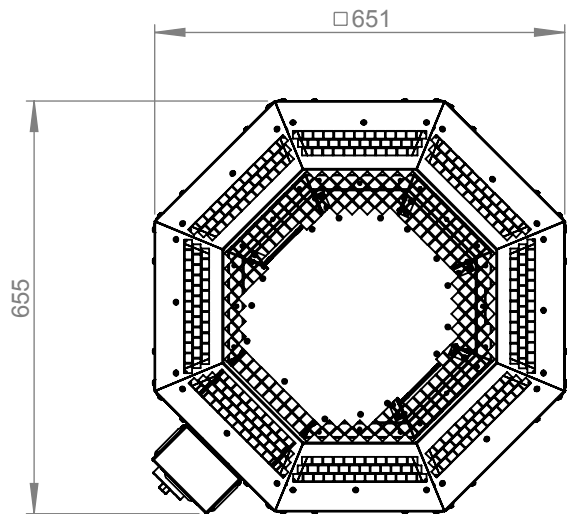
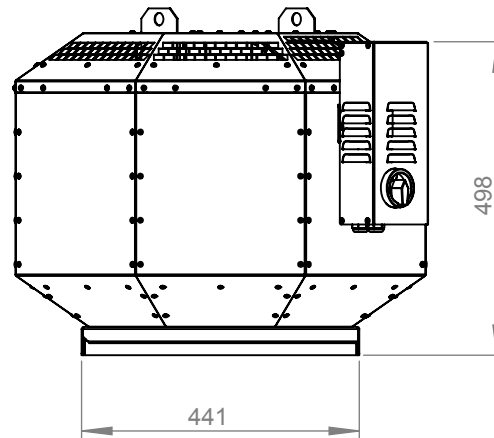
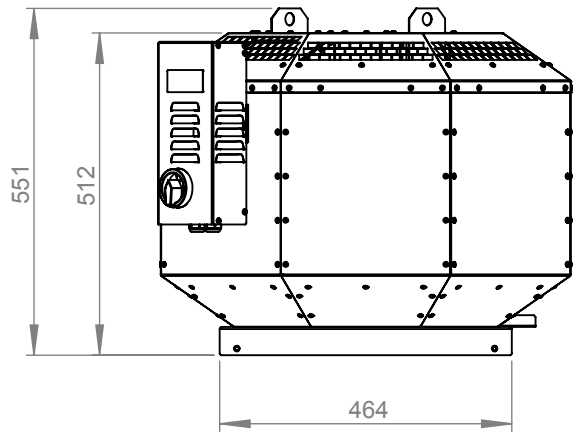


- Max. medium temperature 120°C
- Motor outside of air stream
- Swing-out fan unit
- Drain tray
- Sound insulated
- Star-Delta operation possible
- Star: direct 400V 3~ grid or frequency converter with 400V output
- Delta: direct 230V 3~ grid or frequency converter with 230V 1~ input and 230V 3~ output

Operating Point		1	2	3	4	5
Current I	A	1,6	1,8	2,2	2,1	1,9
Power consumption P _i	W	448	748	1077	1015	835
Rotation speed n	1/min	2949	2913	2872	2883	2914
SWL inlet L _{WA5}	dB(A)	84	83	81	87	89
SWL outlet L _{WA6}	dB(A)	83	82	80	85	88
SWL housing break out L _{WA2}	dB(A)	-	-	-	-	-

Sound power (L _W) dB(A)		Medium Frequency Band								
		Σ	63	125	250	500	1k	2k	4k	8k
Inlet	L _{WA5}	81	52	62	74	76	74	74	72	66
Outlet	L _{WA6}	80	53	63	77	74	72	70	67	60
Housing radiation	L _{WA2}	-	-	-	-	-	-	-	-	-

DVNI 315 D2 30 145037	
Voltage U _N	400 V 3~
Current I _{max}	2,3 A
Ambient temperature t _A	50 °C
Conveyed medium temperature t _M	120 °C
Speed Control	f
Motor protection	-
Insulation class motor	F
Weight	49,1 kg
Number of poles	2
IP motor	IP55
IP terminal box	-
IP complete unit	-
Min. operating temperature	-20 °C



Protection Mark
according to ISO16016

Created a.mezei
Drawn a.mezei
Released v.brand
Disabled

1:12 A4 mm

General tolerances
DIN ISO 2768-c

DVNI315D230

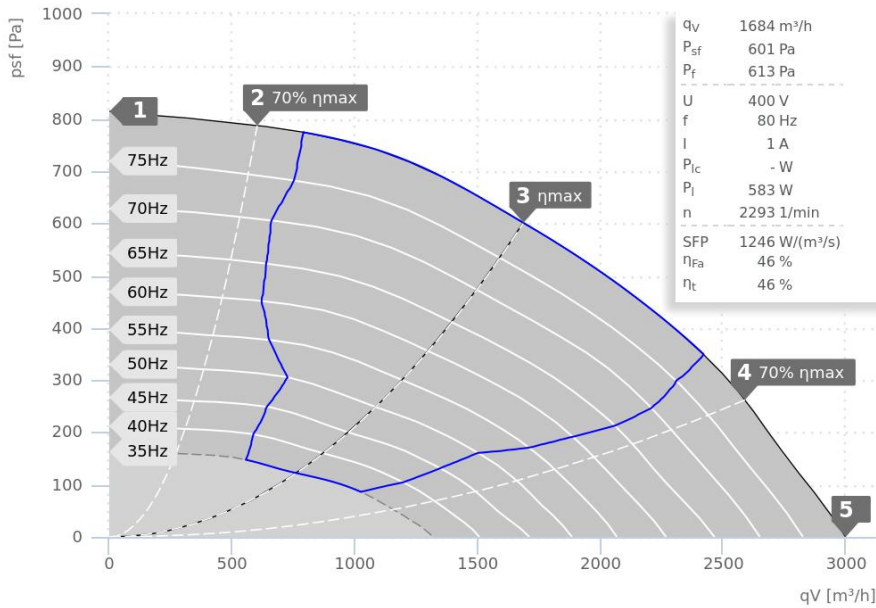
145037 01



DATA SHEET

ruck.eu
VENTILATOREN

DVNI 315 D4 30 | 145038



q _v	1684 m ³ /h
P _{sf}	601 Pa
P _f	613 Pa
U	400 V
f	80 Hz
I	1 A
P _{lc}	- W
P _l	583 W
n	2293 1/min
SFP	1246 W/(m ³ /s)
η _{Fa}	46 %
η _t	46 %



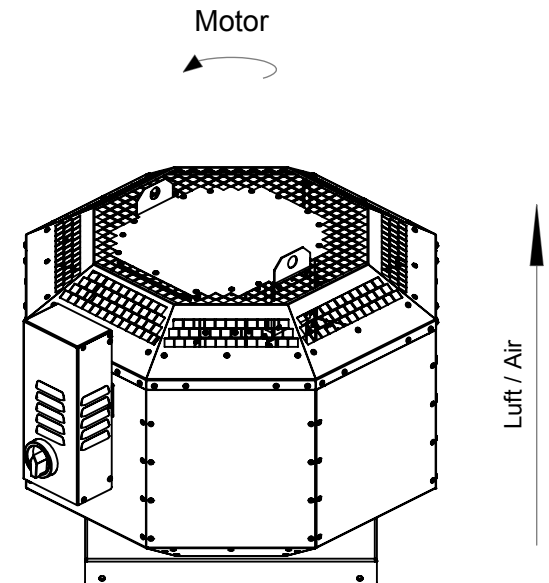
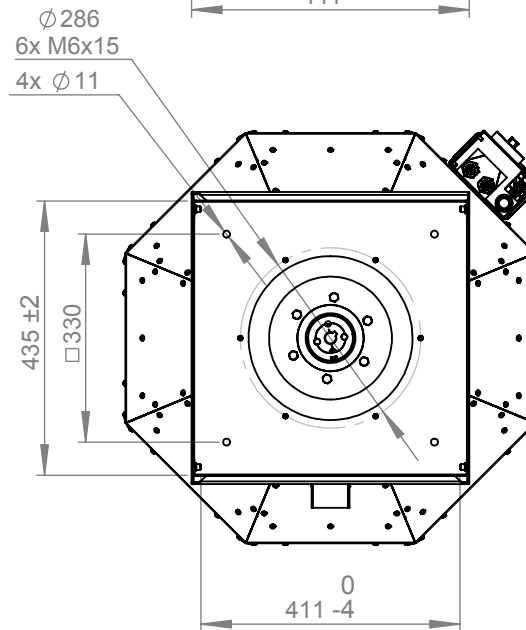
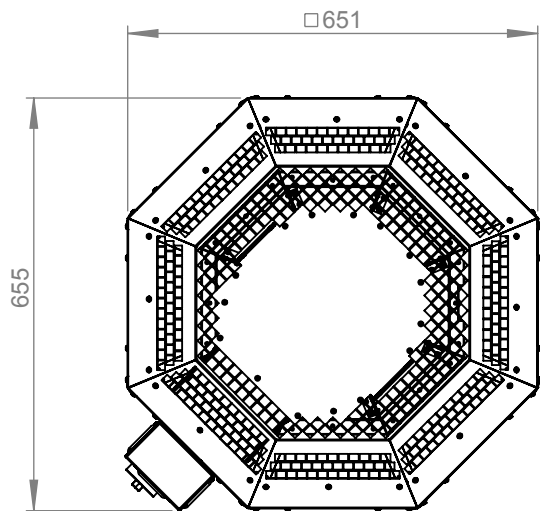
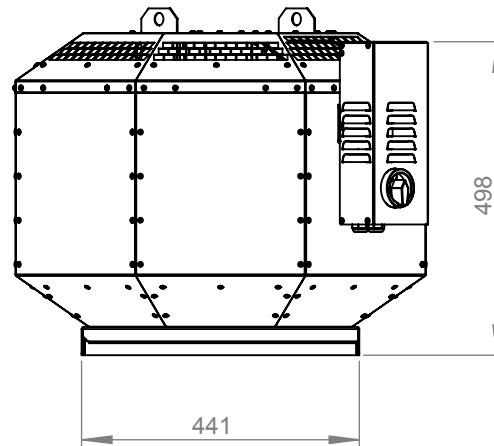
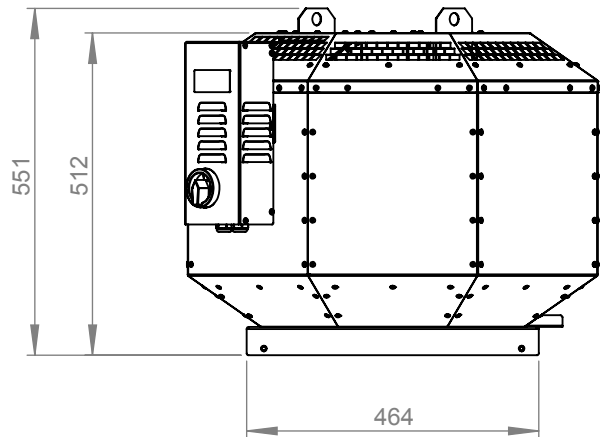
- Max. medium temperature 120°C
- Motor outside of air stream
- Swing-out fan unit
- Drain tray
- Sound insulated
- Star-Delta operation possible
- Star: direct 400V 3~ grid or frequency converter with 400V output
- Delta: direct 230V 3~ grid or frequency converter with 230V 1~ input and 230V 3~ output

— ErP compliant range

Operating Point		1	2	3	4	5
Current I	A	0,5	0,7	1,0	0,9	0,8
Power consumption P ₁	W	241	395	583	551	461
Rotation speed n	1/min	2357	2330	2294	2303	2323
SWL inlet L _{WA5}	dB(A)	77	77	75	80	83
SWL outlet L _{WA6}	dB(A)	77	76	76	80	83
SWL housing break out L _{WA2}	dB(A)	-	-	-	-	-

Sound power (L _W) dB(A)		Medium Frequency Band								
		Σ	63	125	250	500	1k	2k	4k	8k
Inlet	L _{WA5}	75	47	57	66	70	68	67	65	59
Outlet	L _{WA6}	76	49	61	72	71	69	65	60	56
Housing radiation	L _{WA2}	-	-	-	-	-	-	-	-	-

DVNI 315 D4 30 145038	
Voltage U _N	400 V 3~
Current I _{max}	1,0 A
Ambient temperature t _A	50 °C
Conveyed medium temperature t _M	120 °C
Speed Control	f
Motor protection	-
Insulation class motor	F
Weight	48,6 kg
Number of poles	4
IP motor	IP55
IP terminal box	-
IP complete unit	-
Min. operating temperature	-20 °C



ruck^{eu}
VENTILATOREN
ruck Ventilatoren
Max-Planck-Str. 5
D-97944 Boxberg



Protection Mark
according to ISO 16016

Created a.mezei
Drawn a.mezei
Released a.ganea
Disabled

1:12 A4 mm

General tolerances
DIN ISO 2768-c

DVNI315D430

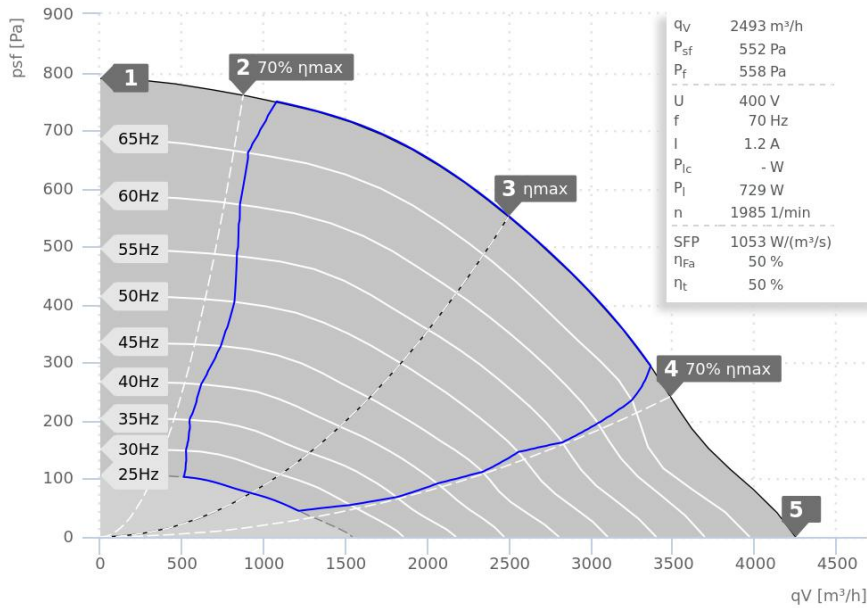
145038 01

VENTAS
VENTILATOREN

DATA SHEET

ruck.eu
VENTILATOREN

DVNI 355 D4 30 | 145039



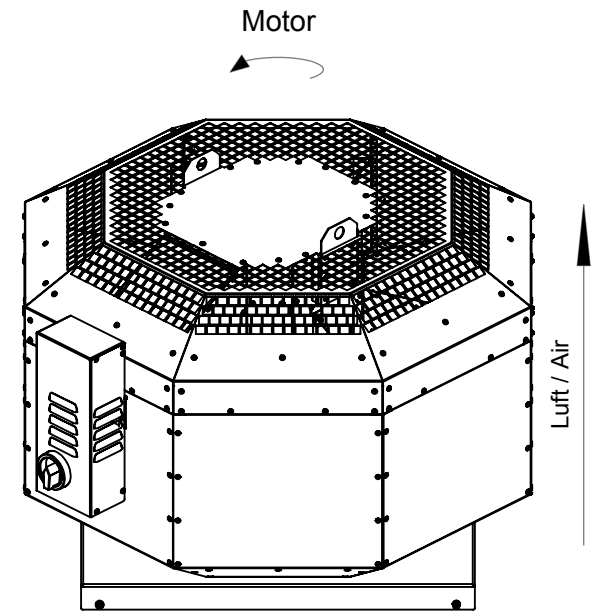
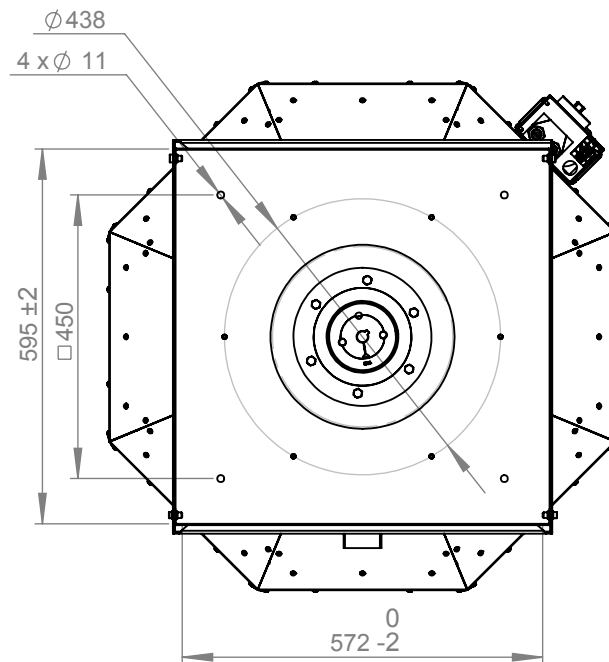
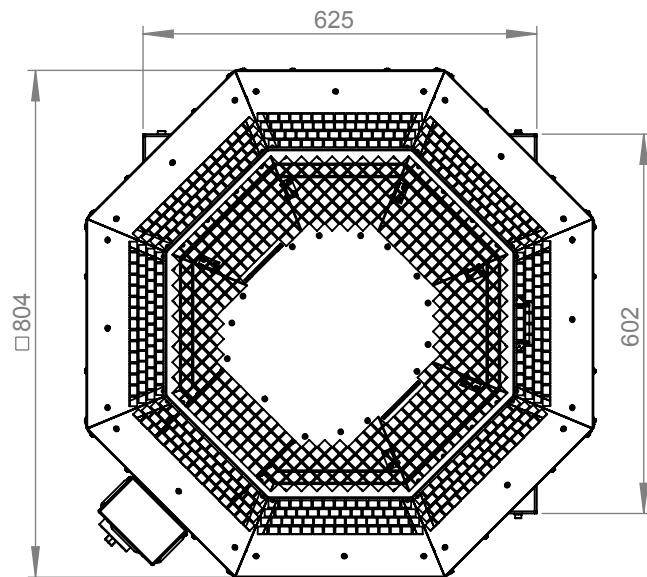
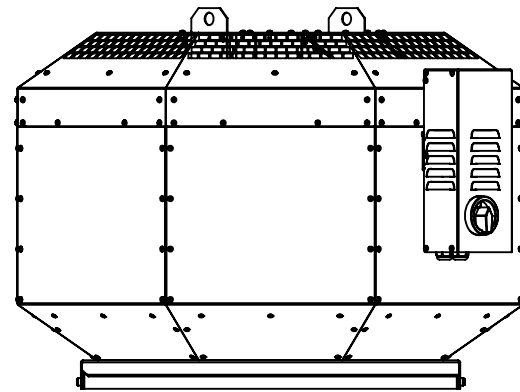
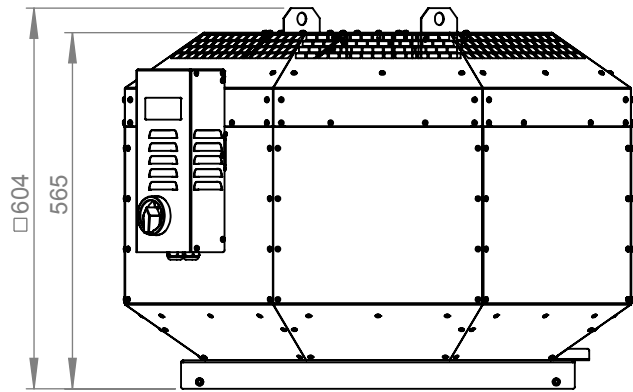
- Max. medium temperature 120°C
- Motor outside of air stream
- Swing-out fan unit
- Drain tray
- Sound insulated
- Star-Delta operation possible
- Star: direct 400V 3~ grid or frequency converter with 400V output
- Delta: direct 230V 3~ grid or frequency converter with 230V 1~ input and 230V 3~ output

— ErP compliant range

Operating Point		1	2	3	4	5
Current I	A	0,6	0,9	1,2	1,1	0,9
Power consumption P_1	W	282	506	731	634	525
Rotation speed n	1/min	2058	2020	1986	2007	2026
SWL inlet L_{WA5}	dB(A)	77	76	75	79	81
SWL outlet L_{WA6}	dB(A)	76	75	75	80	82
SWL housing break out L_{WA2}	dB(A)	-	-	-	-	-

Sound power (L_W) dB(A)		Medium Frequency Band								
		Σ	63	125	250	500	1k	2k	4k	8k
Inlet	L_{WA5}	75	43	53	64	68	66	71	65	60
Outlet	L_{WA6}	75	45	55	72	69	67	64	59	53
Housing radiation	L_{WA2}	-	-	-	-	-	-	-	-	-

DVNI 355 D4 30 145039	
Voltage U_N	400 V 3~
Current I_{max}	1,3 A
Ambient temperature t_A	50 °C
Conveyed medium temperature t_M	120 °C
Speed Control	f
Motor protection	-
Insulation class motor	F
Weight	60,9 kg
Number of poles	4
IP motor	IP55
IP terminal box	-
IP complete unit	-
Min. operating temperature	-20 °C



Protection Mark
according to ISO 16016

Created a.mezei
Drawn a.mezei
Released d.ursu
Disabled

1:12 A4 mm

General tolerances
DIN ISO 2768-c

22.05.2018
22.05.2018
07.08.2018

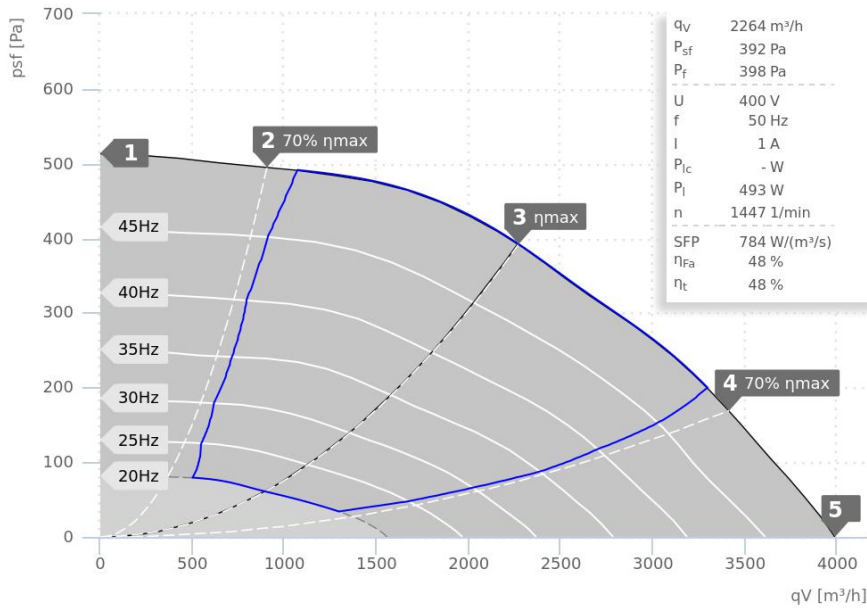
DVNI355D430+

145039 01



DATA SHEET

DVNI 400 D4 30 | 145040



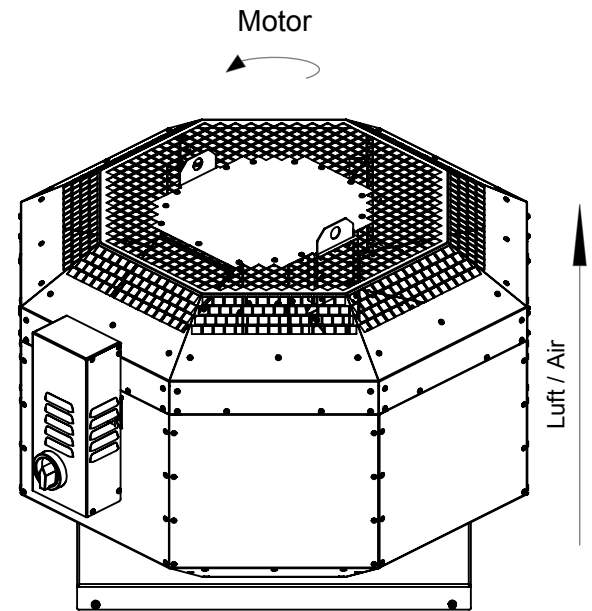
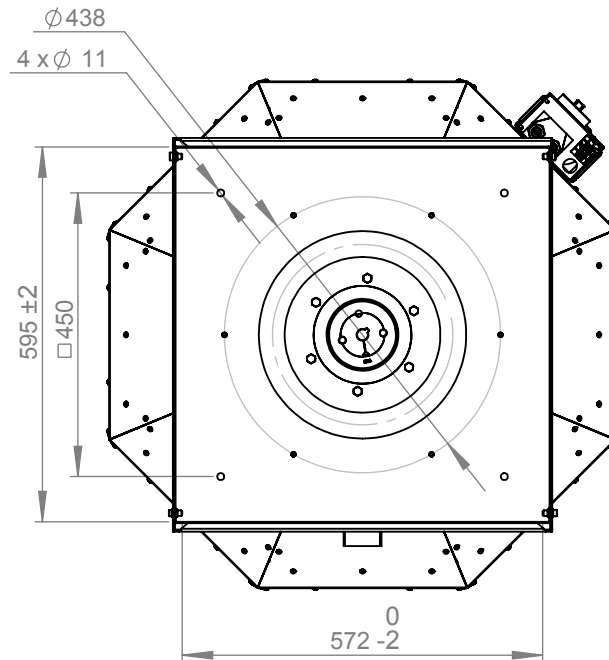
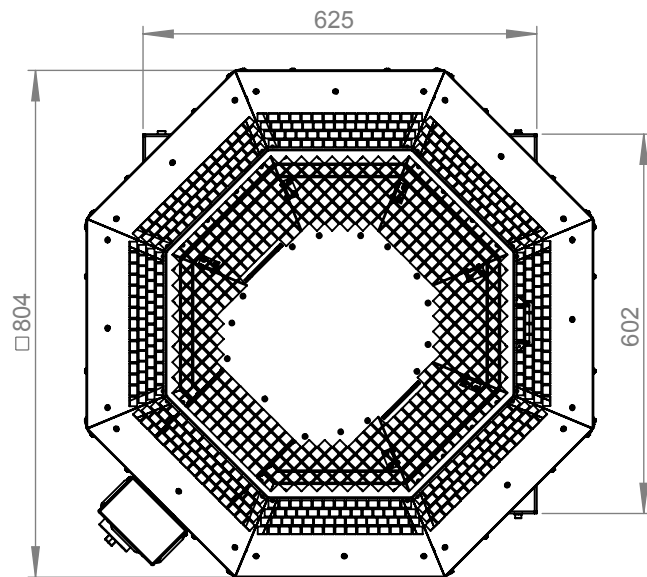
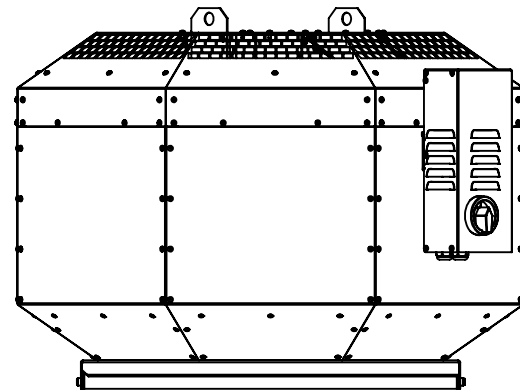
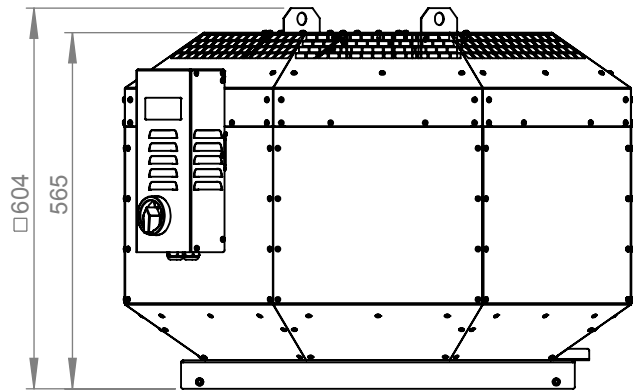
- Max. medium temperature 120°C
- Motor outside of air stream
- Swing-out fan unit
- Drain tray
- Sound insulated
- Star-Delta operation possible
- Star: direct 400V 3~ grid or frequency converter with 400V output
- Delta: direct 230V 3~ grid or frequency converter with 230V 1~ input and 230V 3~ output

— ErP compliant range

Operating Point		1	2	3	4	5
Current I	A	0,8	0,9	1,0	0,9	0,9
Power consumption P_1	W	213	364	495	453	370
Rotation speed n	1/min	1477	1462	1448	1451	1462
SWL inlet L_{WA5}	dB(A)	76	76	76	78	80
SWL outlet L_{WA6}	dB(A)	72	71	72	75	78
SWL housing break out L_{WA2}	dB(A)	-	-	-	-	-

Sound power (L_W) dB(A)		Medium Frequency Band								
		Σ	63	125	250	500	1k	2k	4k	8k
Inlet	L_{WA5}	76	51	62	65	69	69	69	70	61
Outlet	L_{WA6}	72	48	65	65	67	65	59	56	51
Housing radiation	L_{WA2}	-	-	-	-	-	-	-	-	-

DVNI 400 D4 30 145040	
Voltage U_N	400 V 3~
Current I_{max}	1,0 A
Ambient temperature t_A	50 °C
Conveyed medium temperature t_M	120 °C
Speed Control	f
Motor protection	-
Insulation class motor	F
Weight	62,8 kg
Number of poles	4
IP motor	IP55
IP terminal box	-
IP complete unit	-
Min. operating temperature	-20 °C



ruck^{eu}
VENTILATOREN
ruck Ventilatoren
Max-Planck-Str. 5
D-97944 Boxberg



Protection Mark
according to ISO 16016

Created a.mezei
Drawn a.mezei
Released d.ursu
Disabled

1:12 A4 mm

General tolerances
DIN ISO 2768-c

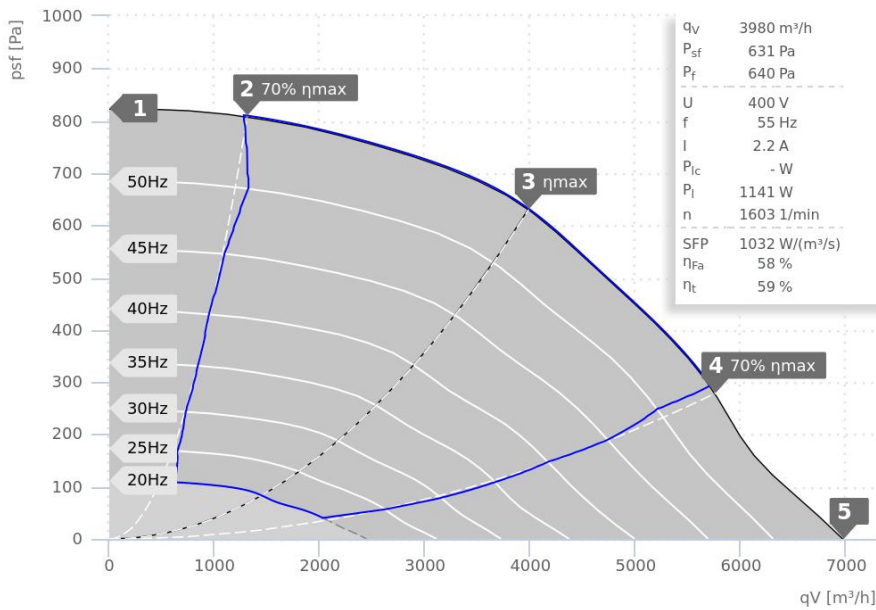
DVNI400D430+

145040 01

VENTAS
VENTILATORER

DATA SHEET

DVNI 450 D4 30 | 145041



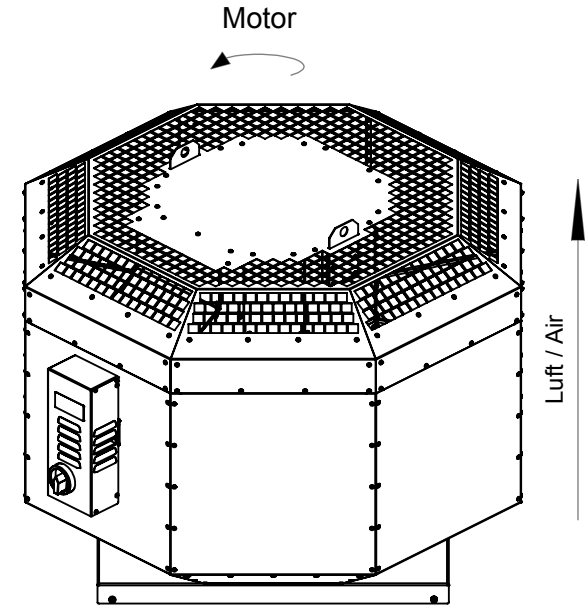
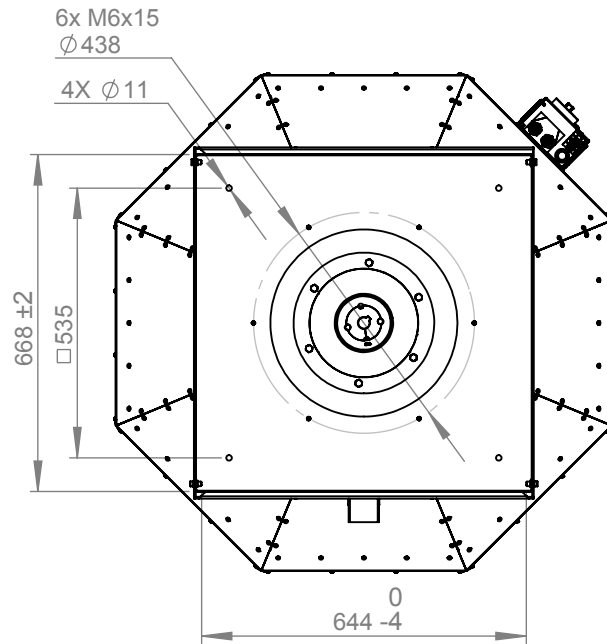
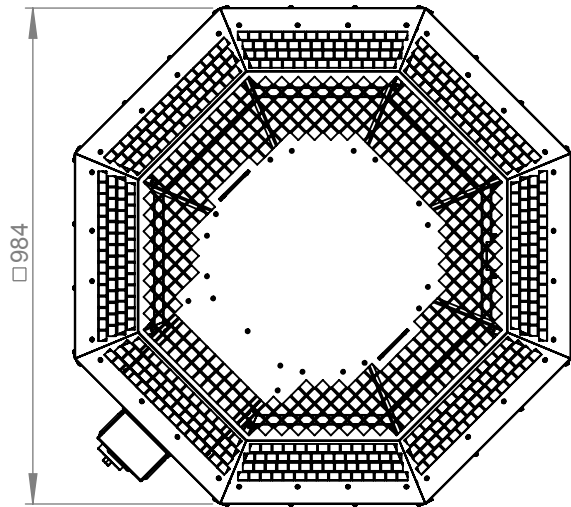
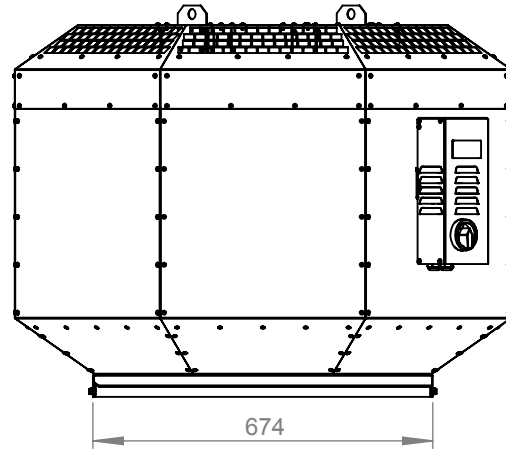
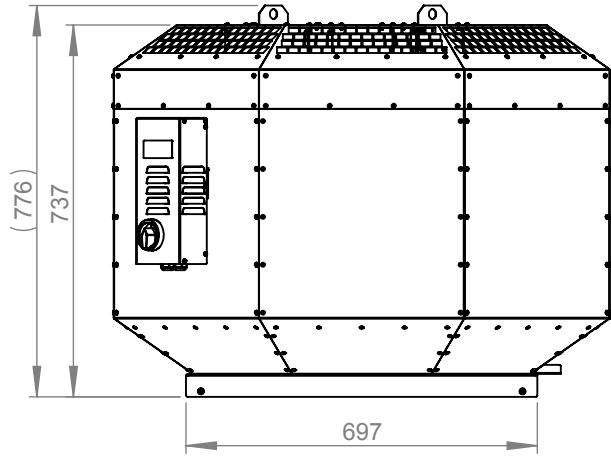
- Max. medium temperature 120°C
- Motor outside of air stream
- Swing-out fan unit
- Drain tray
- Sound insulated
- Star-Delta operation possible
- Star: direct 400V 3~ grid or frequency converter with 400V output
- Delta: direct 230V 3~ grid or frequency converter with 230V 1~ input and 230V 3~ output

— ErP compliant range

Operating Point		1	2	3	4	5
Current I	A	1,4	1,7	2,2	2,1	1,8
Power consumption P _i	W	393	691	1145	1039	859
Rotation speed n	1/min	1631	1623	1606	1613	1620
SWL inlet L _{WA5}	dB(A)	77	77	76	81	84
SWL outlet L _{WA6}	dB(A)	77	77	77	82	84
SWL housing break out L _{WA2}	dB(A)	-	-	-	-	-

Sound power (L _W) dB(A)		Medium Frequency Band								
		Σ	63	125	250	500	1k	2k	4k	8k
Inlet	L _{WA5}	76	41	59	69	70	69	69	66	59
Outlet	L _{WA6}	77	53	65	75	71	68	64	61	53
Housing radiation	L _{WA2}	-	-	-	-	-	-	-	-	-

DVNI 450 D4 30 145041	
Voltage U _N	400 V 3~
Current I _{max}	2,3 A
Ambient temperature t _A	50 °C
Conveyed medium temperature t _M	120 °C
Speed Control	f
Motor protection	-
Insulation class motor	F
Weight	103,4 kg
Number of poles	4
IP motor	IP55
IP terminal box	-
IP complete unit	-
Min. operating temperature	-20 °C



ruck^{eu}
VENTILATOREN
ruck Ventilatoren
Max-Planck-Str. 5
D-97944 Boxberg



Protection Mark
according to ISO 16016
Created d.ursu
Drawn d.ursu
Released d.ursu
Disabled

1:15 A4 mm

General tolerances
DIN ISO 2768-c

30.07.2018
30.07.2018
31.07.2018

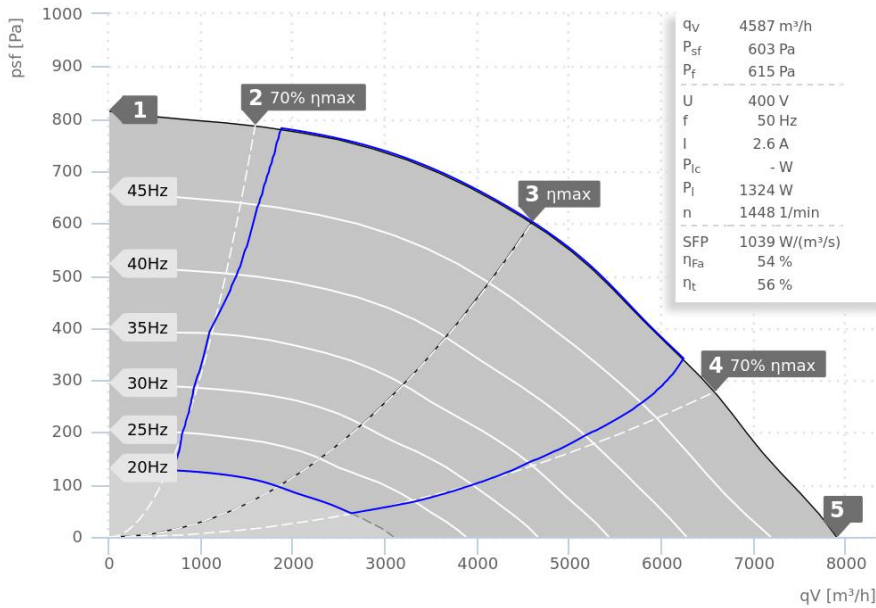
DVNI450D430+

145041 00

VENTAS
VENTILATORER

DATA SHEET

DVNI 500 D4 30 | 145042



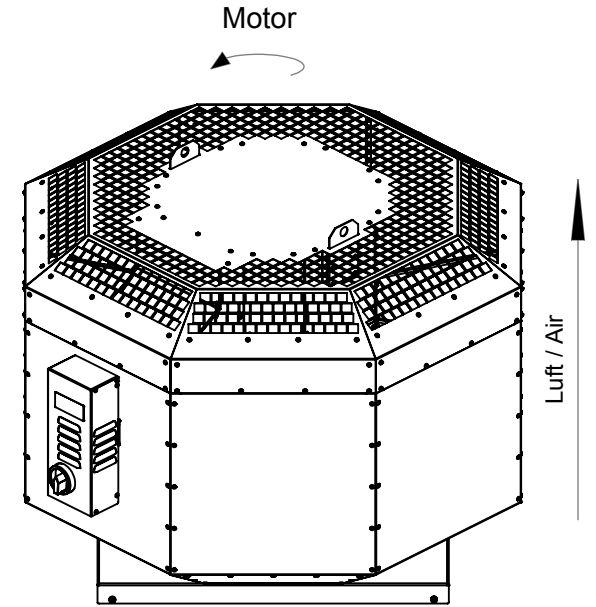
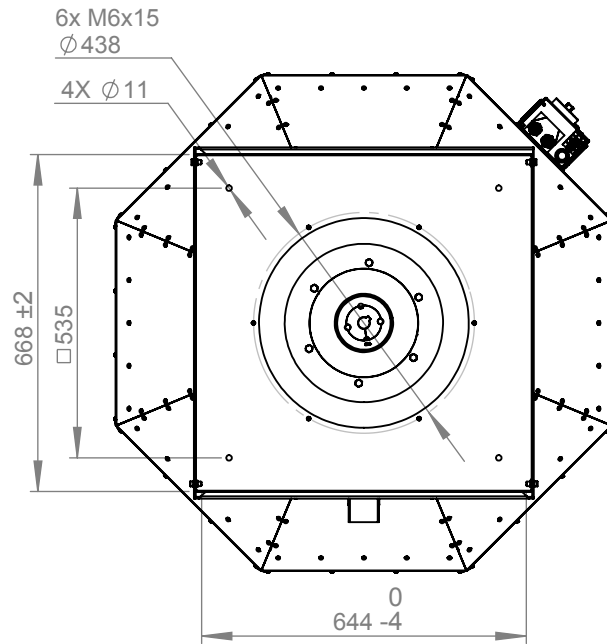
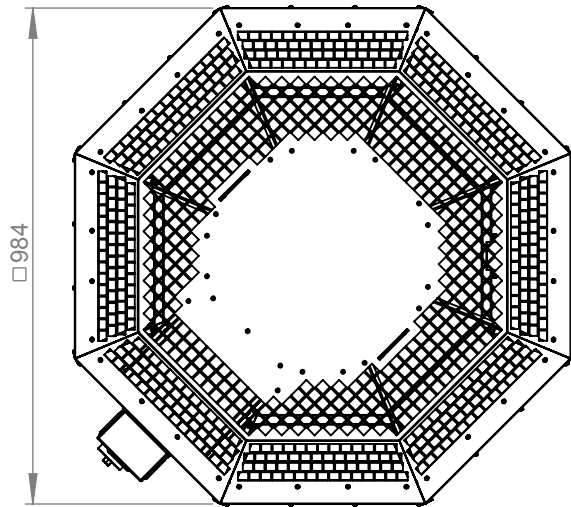
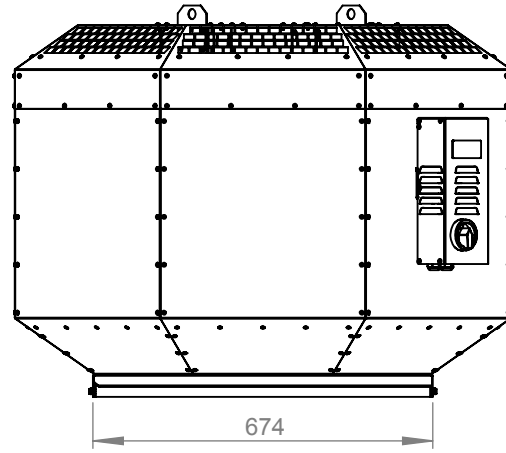
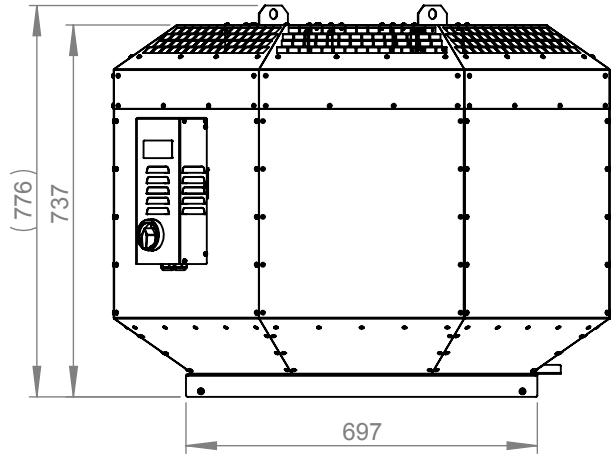
- Max. medium temperature 120°C
- Motor outside of air stream
- Swing-out fan unit
- Drain tray
- Sound insulated
- Star-Delta operation possible
- Star: direct 400V 3~ grid or frequency converter with 400V output
- Delta: direct 230V 3~ grid or frequency converter with 230V 1~ input and 230V 3~ output

— ErP compliant range

Operating Point		1	2	3	4	5
Current I	A	1,7	2,0	2,6	2,5	2,2
Power consumption P_1	W	458	866	1331	1250	999
Rotation speed n	1/min	1476	1469	1451	1457	1464
SWL inlet L_{WA5}	dB(A)	78	77	78	81	84
SWL outlet L_{WA6}	dB(A)	78	78	80	83	85
SWL housing break out L_{WA2}	dB(A)	-	-	-	-	-

Sound power (L_W) dB(A)		Medium Frequency Band								
		Σ	63	125	250	500	1k	2k	4k	8k
Inlet	L_{WA5}	78	46	71	70	70	71	70	65	61
Outlet	L_{WA6}	80	49	76	73	72	70	66	62	56
Housing radiation	L_{WA2}	-	-	-	-	-	-	-	-	-

DVNI 500 D4 30 145042	
Voltage U_N	400 V 3~
Current I_{max}	2,7 A
Ambient temperature t_A	50 °C
Conveyed medium temperature t_M	120 °C
Speed Control	f
Motor protection	-
Insulation class motor	F
Weight	105,0 kg
Number of poles	4
IP motor	IP55
IP terminal box	-
IP complete unit	-
Min. operating temperature	-20 °C



Protection Mark according to ISO 16016
 Created d.ursu
 Drawn d.ursu
 Released d.ursu
 Disabled

1:15 A4 mm

General tolerances DIN ISO 2768-c

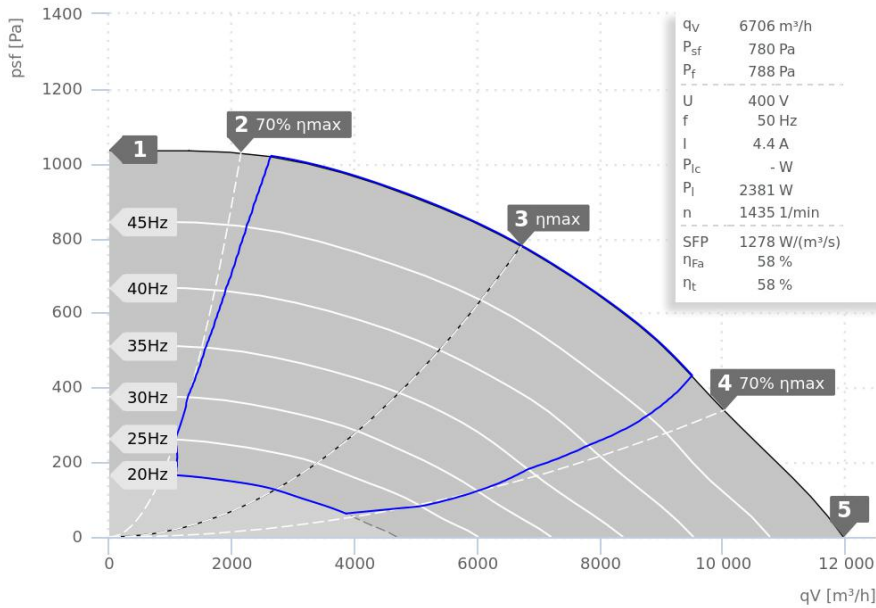
DVNI500D430+

145042 00



DATA SHEET

DVNI 560 D4 30 | 145043



— ErP compliant range

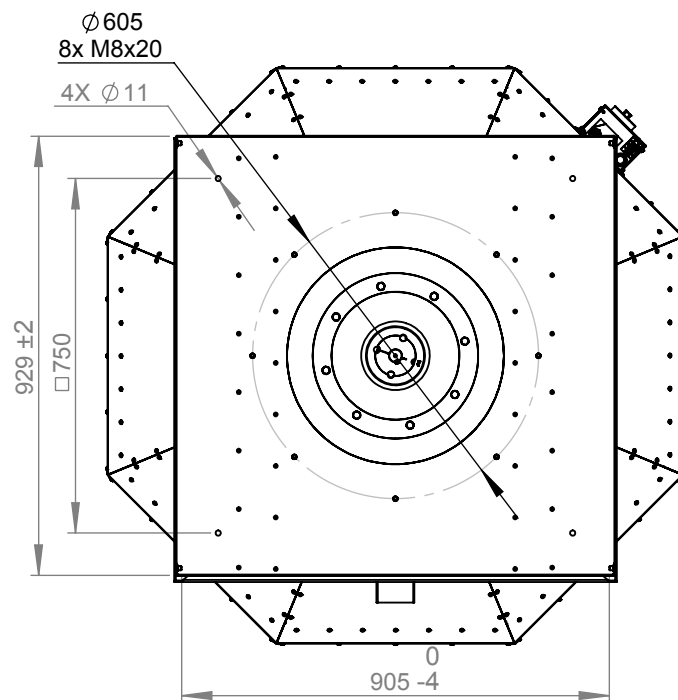
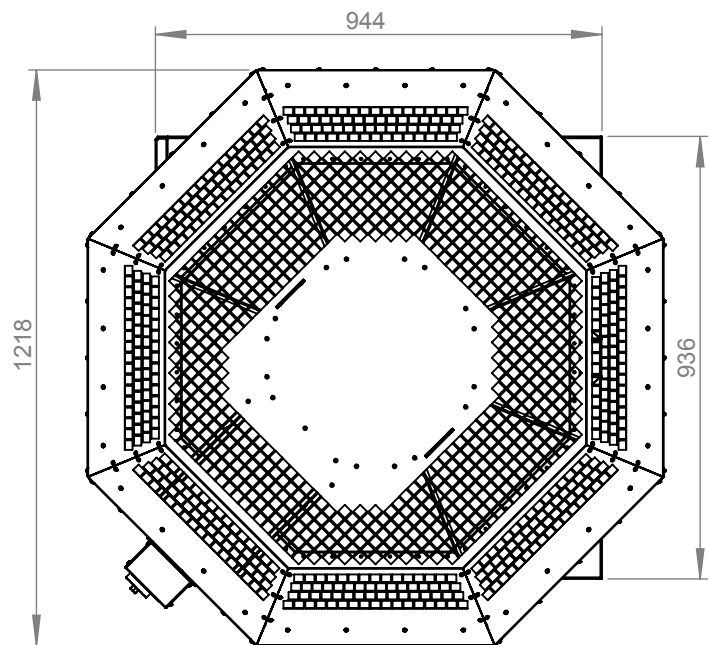
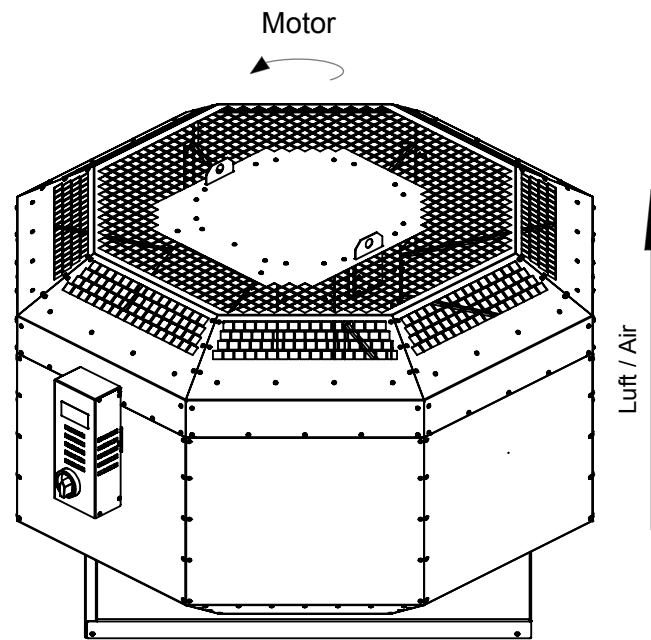
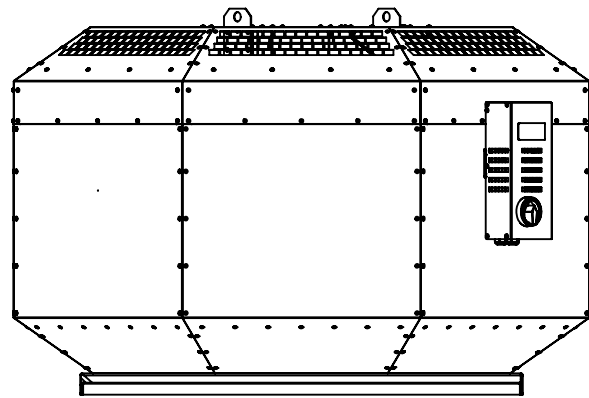
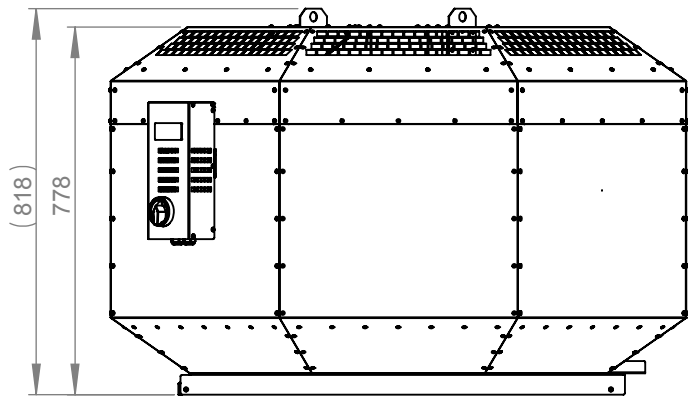


- Max. medium temperature 120°C
- Motor outside of air stream
- Swing-out fan unit
- Drain tray
- Sound insulated
- Star-Delta operation possible
- Star: direct 400V 3~ grid or frequency converter with 400V output
- Delta: direct 230V 3~ grid or frequency converter with 230V 1~ input and 230V 3~ output

Operating Point		1	2	3	4	5
Current I	A	2,6	3,2	4,4	4,2	3,6
Power consumption P _i	W	827	1451	2391	2204	1793
Rotation speed n	1/min	1472	1459	1437	1446	1458
SWL inlet L _{WA5}	dB(A)	81	81	80	86	88
SWL outlet L _{WA6}	dB(A)	81	81	80	85	89
SWL housing break out L _{WA2}	dB(A)	-	-	-	-	-

Sound power (L _W) dB(A)		Medium Frequency Band								
		Σ	63	125	250	500	1k	2k	4k	8k
Inlet	L _{WA5}	80	47	74	74	72	73	72	67	62
Outlet	L _{WA6}	80	54	76	74	72	71	70	66	58
Housing radiation	L _{WA2}	-	-	-	-	-	-	-	-	-

DVNI 560 D4 30 145043	
Voltage U _N	400 V 3~
Current I _{max}	4,7 A
Ambient temperature t _A	50 °C
Conveyed medium temperature t _M	120 °C
Speed Control	f
Motor protection	-
Insulation class motor	F
Weight	152,0 kg
Number of poles	4
IP motor	IP55
IP terminal box	-
IP complete unit	-
Min. operating temperature	-20 °C



ruck Ventilatoren
Max-Planck-Str. 5
D-97944 Boxberg



Protection Mark
according to ISO 16016

Created a.mezei
Drawn a.mezei
Released d.ursu
Disabled

1:16 A4 mm

General tolerances
DIN ISO 2768-c

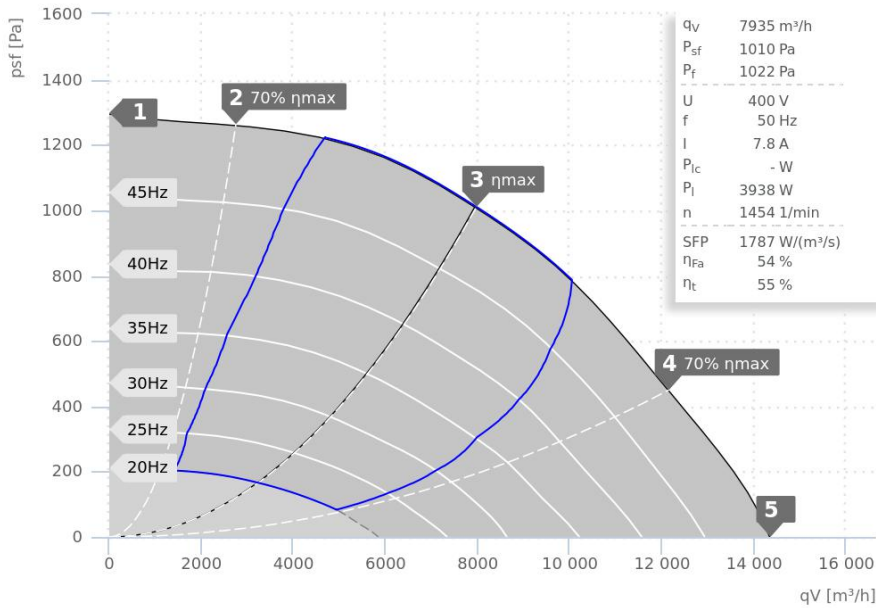
DVNI560D430

145043 01



DATA SHEET

DVNI 630 D4 30 | 145044



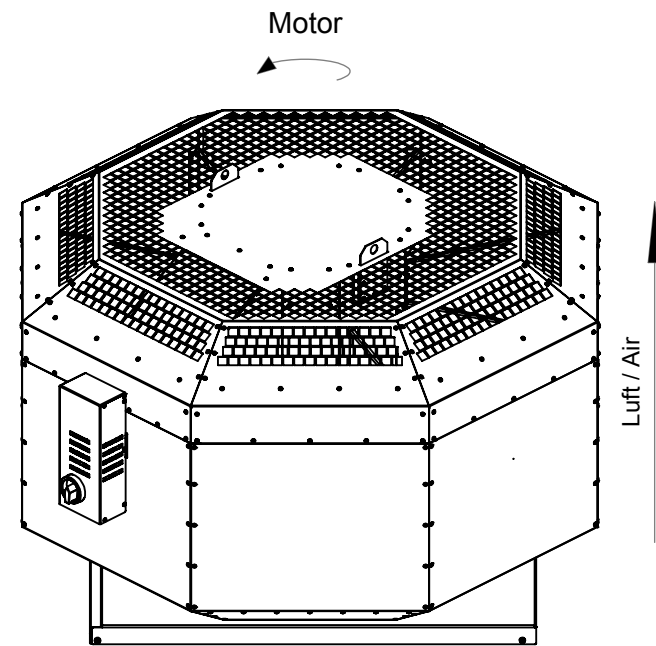
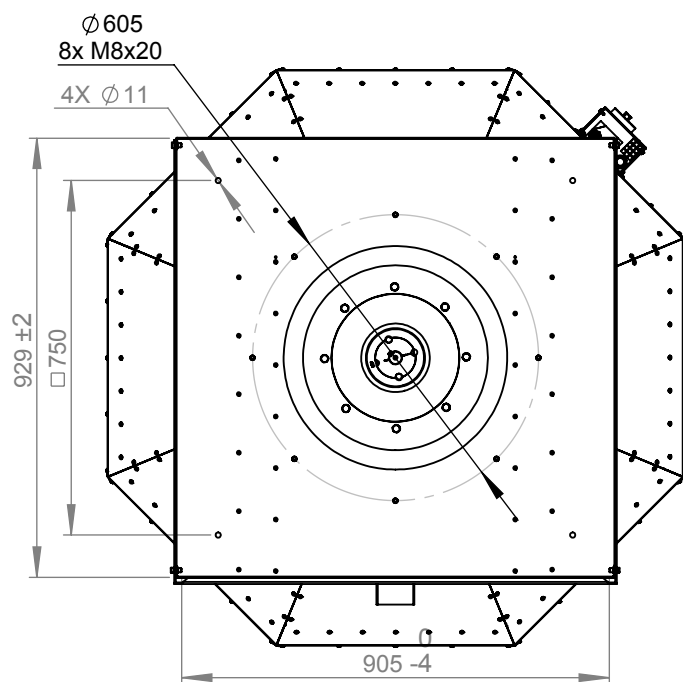
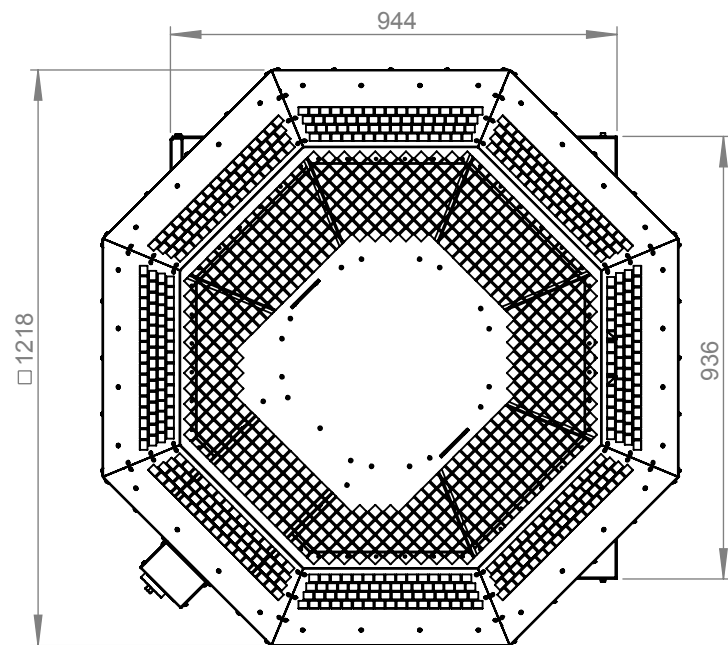
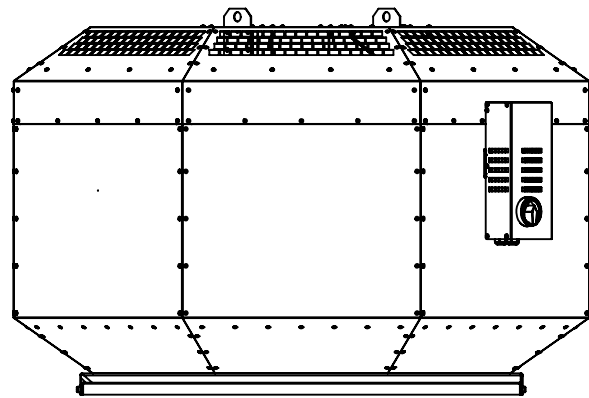
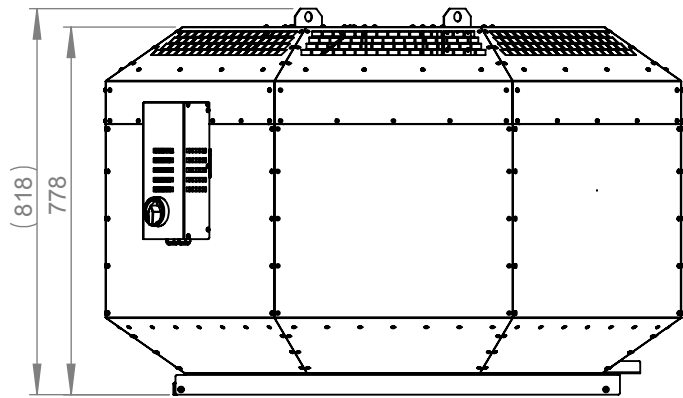
- Max. medium temperature 120°C
- Motor outside of air stream
- Swing-out fan unit
- Drain tray
- Sound insulated
- Frequency converter with 400V 3~ input and 400V 3~ output

— ErP compliant range

Operating Point		1	2	3	4	5
Current I	A	5,2	6,1	7,9	7,7	7,6
Power consumption P _i	W	1302	2420	3959	3836	3744
Rotation speed n	1/min	1483	1470	1457	1458	1460
SWL inlet L _{WA5}	dB(A)	90	90	91	94	95
SWL outlet L _{WA6}	dB(A)	86	86	86	91	94
SWL housing break out L _{WA2}	dB(A)	-	-	-	-	-

Sound power (L _W) dB(A)		Medium Frequency Band								
		Σ	63	125	250	500	1k	2k	4k	8k
Inlet	L _{WA5}	91	63	82	84	85	85	83	79	74
Outlet	L _{WA6}	86	63	80	81	79	78	75	72	65
Housing radiation	L _{WA2}	-	-	-	-	-	-	-	-	-

DVNI 630 D4 30 145044	
Voltage U _N	400 V 3~
Current I _{max}	8,5 A
Ambient temperature t _A	40 °C
Conveyed medium temperature t _M	120 °C
Speed Control	f
Motor protection	-
Insulation class motor	F
Weight	163,0 kg
Number of poles	4
IP motor	IP55
IP terminal box	-
IP complete unit	-
Min. operating temperature	-20 °C



Protection Mark
according to ISO 16016

Created a.mezei
Drawn a.mezei
Released d.ursu
Disabled

1:16 A4 mm

General tolerances
DIN ISO 2768-c

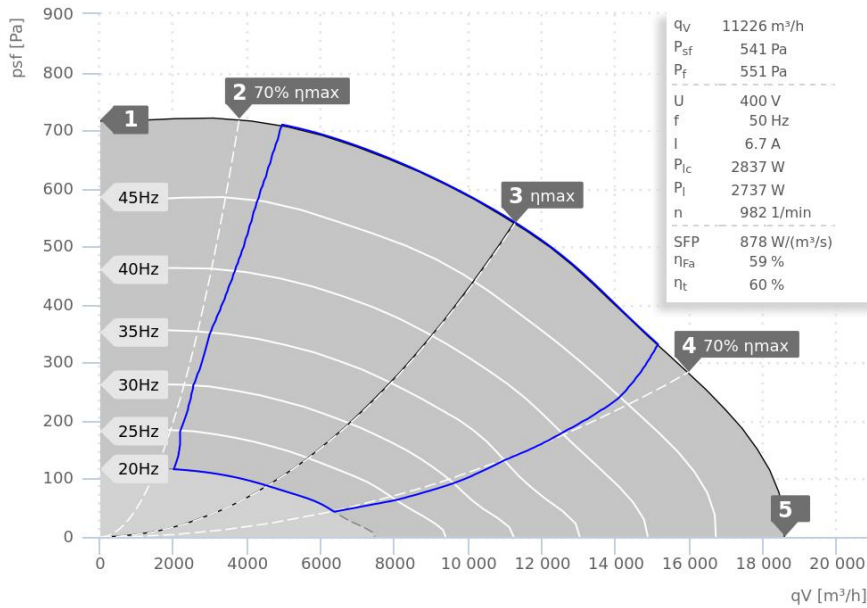
DVNI630D430

145044 01



DATA SHEET

DVNI 710 D6 30 | 145045



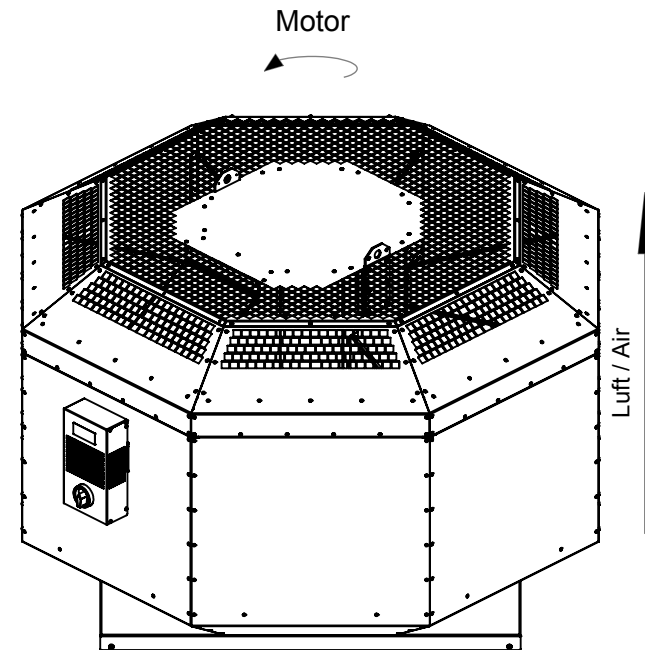
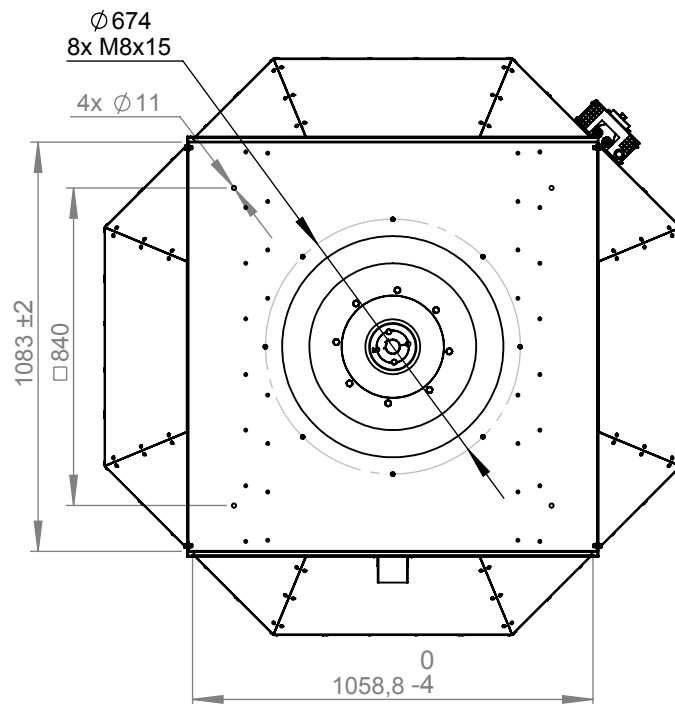
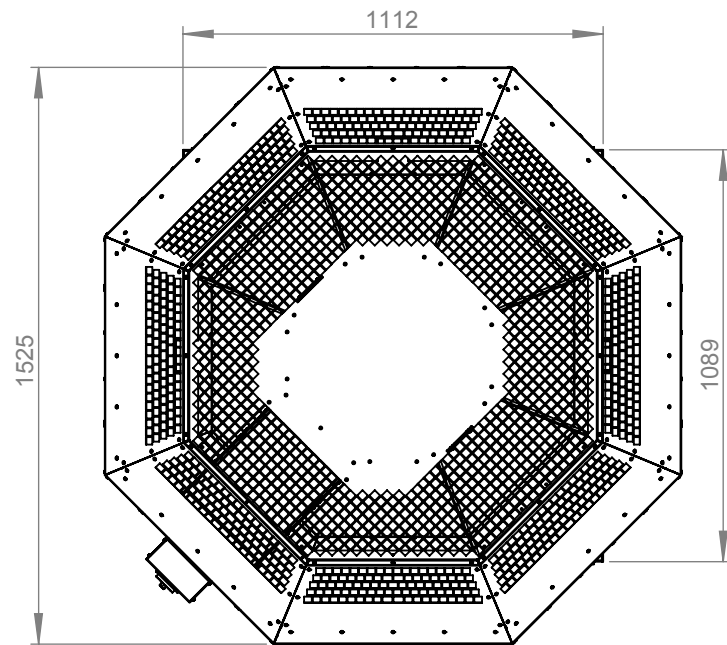
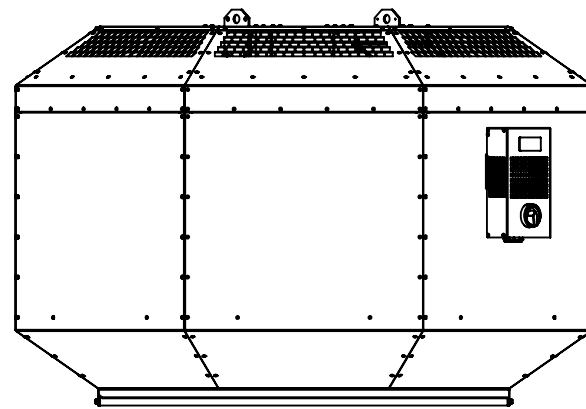
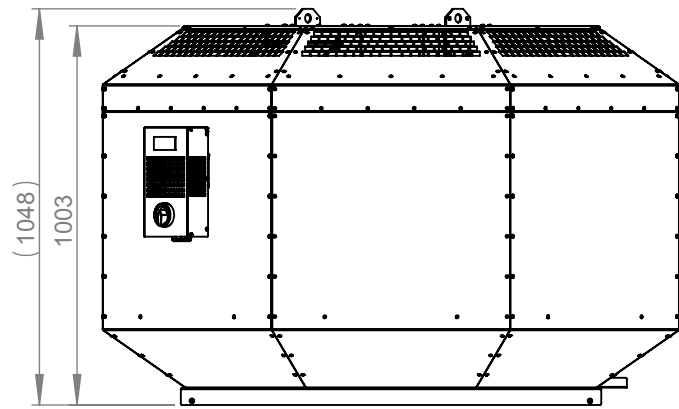
- Max. medium temperature 120°C
- Motor outside of air stream
- Swing-out fan unit
- Drain tray
- Sound insulated
- Frequency converter with 400V 3~ input and 400V 3~ output

— ErP compliant range

Operating Point		1	2	3	4	5
Current I	A	5,1	5,7	6,7	6,5	6,2
Power consumption P ₁	W	945	1776	2747	2564	2190
Rotation speed n	1/min	987	990	984	976	988
SWL inlet L _{WA5}	dB(A)	84	83	83	84	86
SWL outlet L _{WA6}	dB(A)	78	78	79	83	87
SWL housing break out L _{WA2}	dB(A)	-	-	-	-	-

Sound power (L _W) dB(A)		Medium Frequency Band								
		Σ	63	125	250	500	1k	2k	4k	8k
Inlet	L _{WA5}	83	52	77	76	75	77	75	69	62
Outlet	L _{WA6}	79	52	73	75	71	70	67	62	55
Housing radiation	L _{WA2}	-	-	-	-	-	-	-	-	-

DVNI 710 D6 30 145045	
Voltage U _N	400 V 3~
Current I _{max}	6,9 A
Ambient temperature t _A	50 °C
Conveyed medium temperature t _M	120 °C
Speed Control	f
Motor protection	-
Insulation class motor	F
Weight	270,0 kg
Number of poles	6
IP motor	IP55
IP terminal box	-
IP complete unit	-
Min. operating temperature	-20 °C



Protection Mark
according to ISO 16016

Created d.ursu
Drawn d.ursu
Released d.ursu
Disabled

1:20 A4 mm

General tolerances
DIN ISO 2768-c

DVNI710D630+

145045 00

