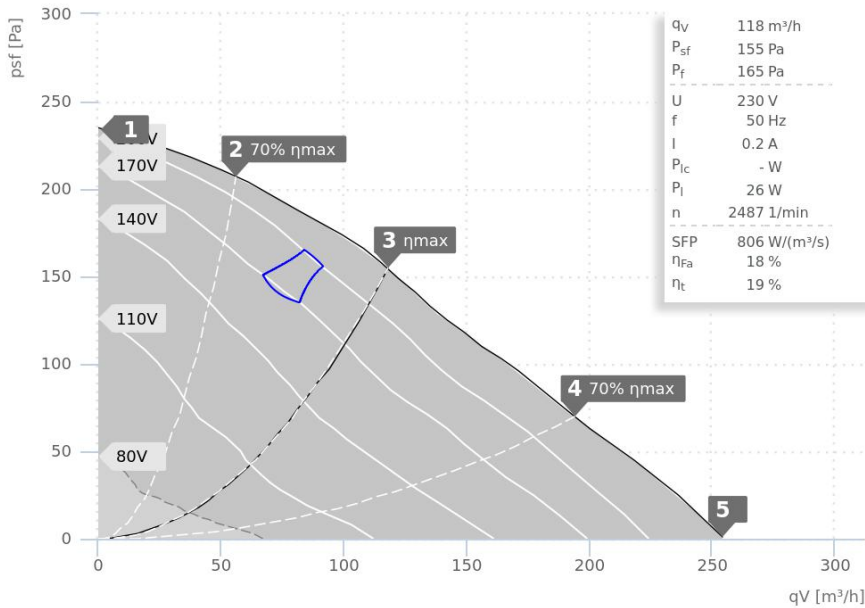


DATA SHEET

ruck.eu
VENTILATOREN

RS 100L 20 | 143351



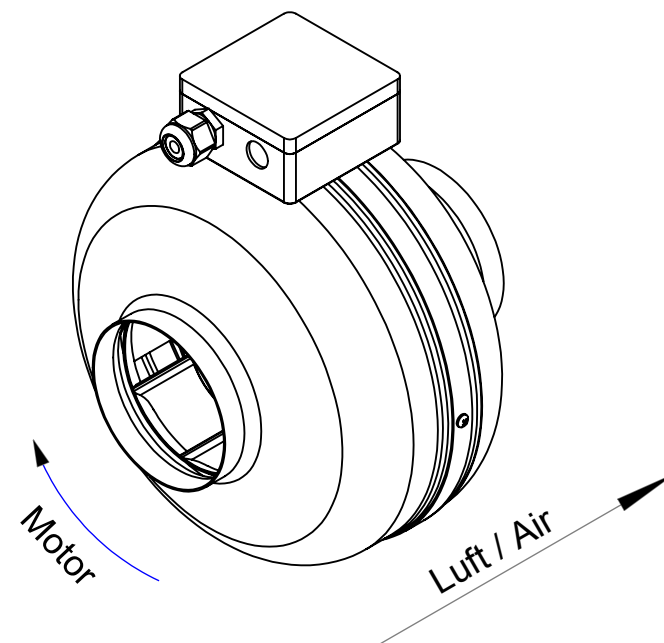
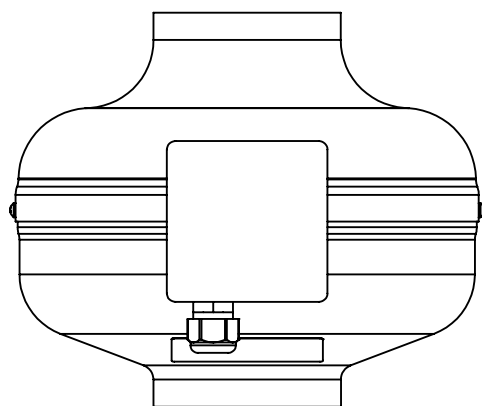
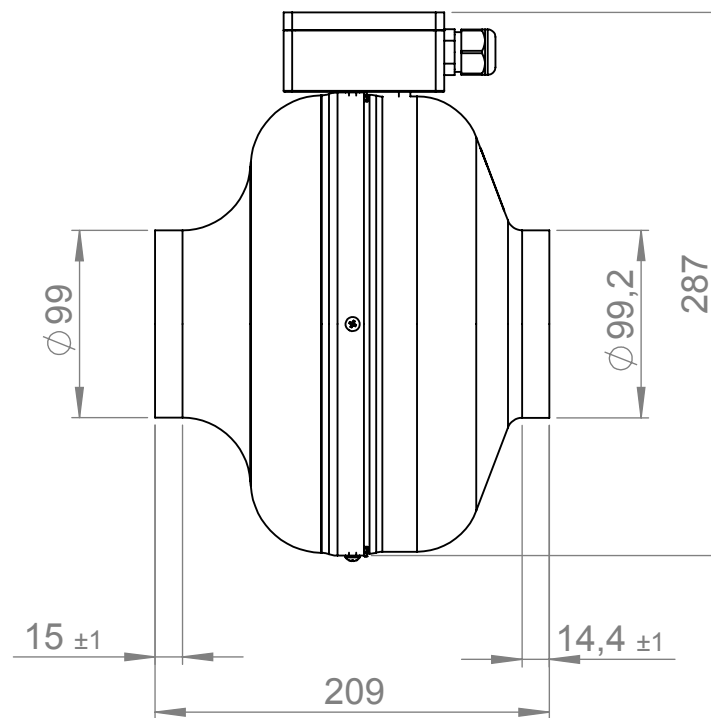
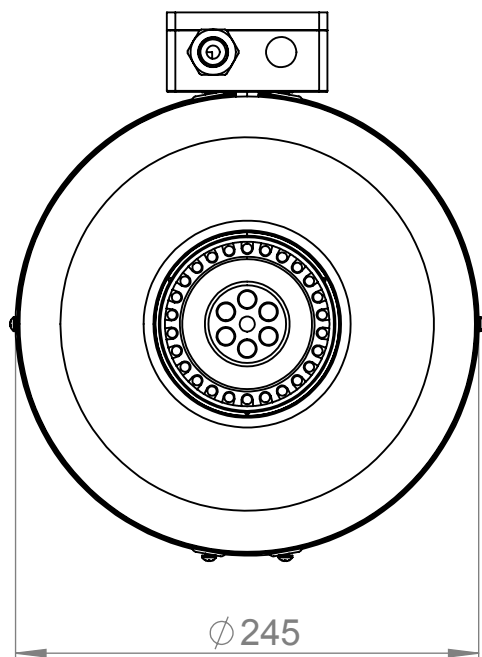
- Backward curved centrifugal fan
- Metal housing RAL 7035
- Speed controllable
- Integrated thermostatic switch
- Incl. terminal box

— ErP compliant range

Operating Point		1	2	3	4	5
Current I	A	0,2	0,2	0,2	0,2	0,2
Power consumption P _i	W	22	24	26	28	28
Rotation speed n	1/min	2710	2619	2487	2400	2396
SWL inlet L _{WA5}	dB(A)	59	59	59	62	64
SWL outlet L _{WA6}	dB(A)	58	59	60	65	66
SWL housing break out L _{WA2}	dB(A)	47	47	48	48	48

Sound power (L _W) dB(A)		Medium Frequency Band								
		Σ	63	125	250	500	1k	2k	4k	8k
Inlet	L _{WA5}	59	33	38	54	52	54	51	44	38
Outlet	L _{WA6}	60	32	42	58	46	51	50	44	35
Housing radiation	L _{WA2}	48	25	31	34	38	44	42	37	28

RS 100L 20 143351	
Voltage U _N	230 V 1~
Current I _{max}	0,2 A
Ambient temperature t _A	60 °C
Conveyed medium temperature t _M	60 °C
Speed Control	V
Motor protection	TAI
Insulation class motor	F
Weight	2,8 kg
Number of poles	2
IP motor	IP33
IP terminal box	IP44
IP complete unit	IPX4
Min. operating temperature	-25 °C



ruck^{eu}
VENTILATOREN
ruck Ventilatoren
Max-Planck-Str. 5
D-97944 Boxberg



Protection Mark
according to ISO 16016
Created a.mezei
Drawn a.mezei
Released v.brand
Disabled

1:4 A4 mm

General tolerances
DIN ISO 2768-c

15.02.2018

15.02.2018

25.03.2020

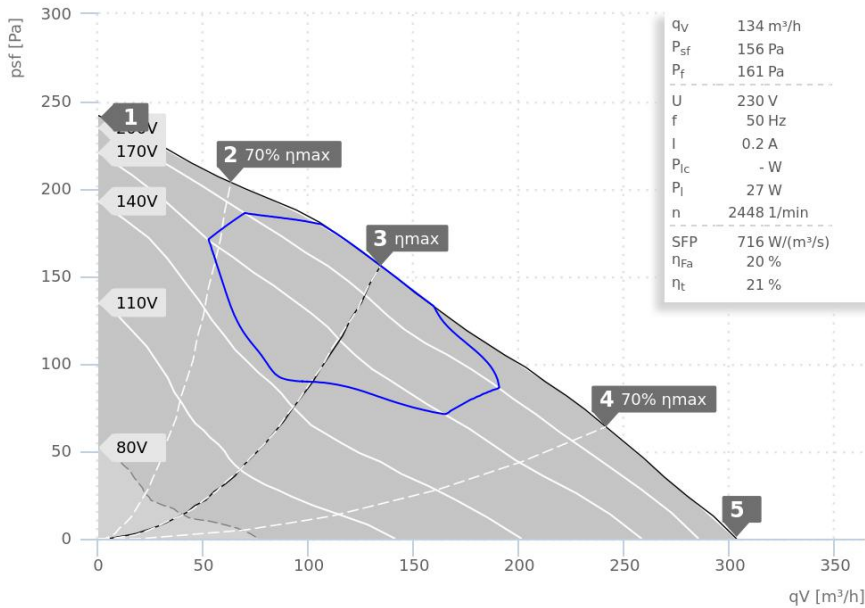
RS100L20

143351 00

VENTAS
VENTILATORER

DATA SHEET

RS 125L 20 | 143353



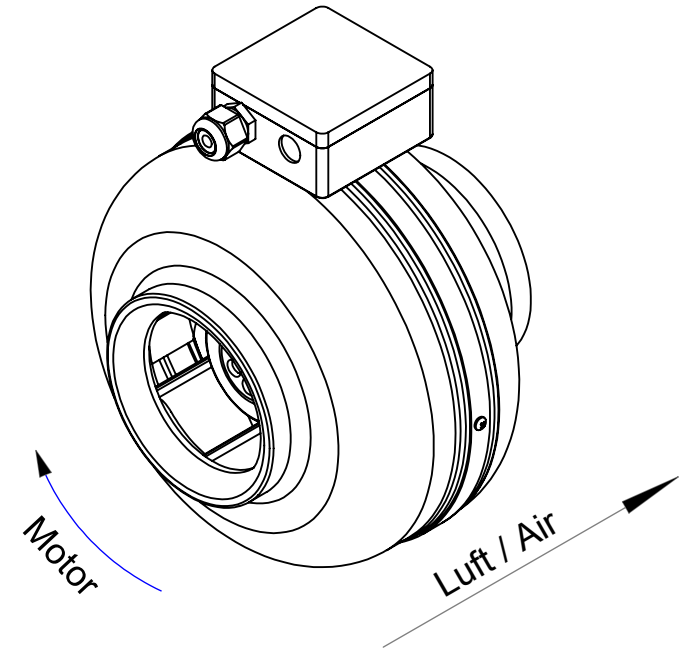
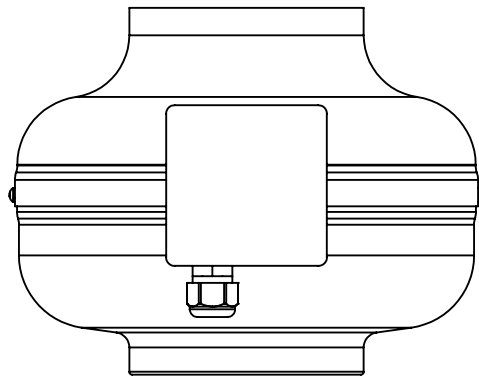
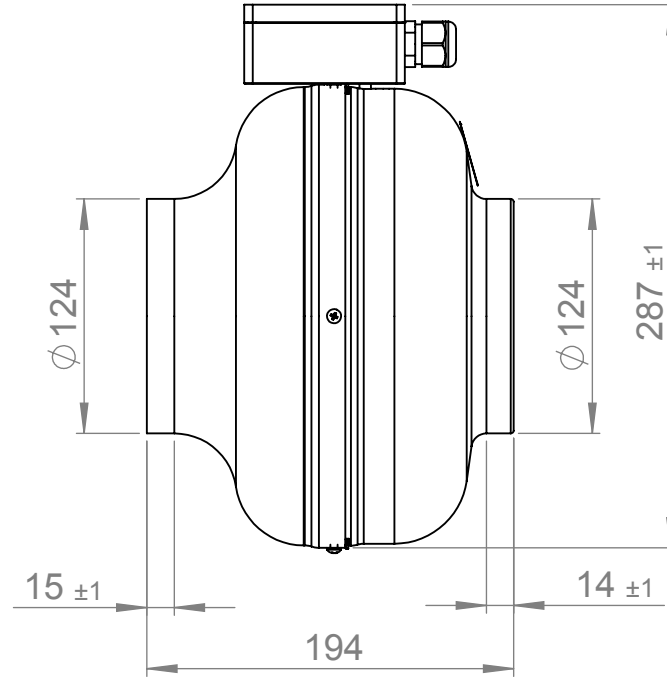
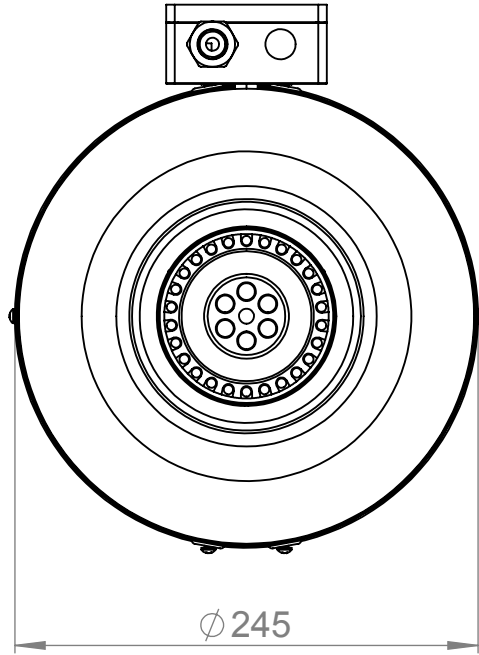
- Backward curved centrifugal fan
- Metal housing RAL 7035
- Speed controllable
- Integrated thermostatic switch
- Incl. terminal box

— ErP compliant range

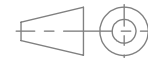
Operating Point		1	2	3	4	5
Current I	A	0,2	0,2	0,2	0,2	0,2
Power consumption P_1	W	22	25	27	28	26
Rotation speed n	1/min	2726	2594	2448	2415	2485
SWL inlet L_{WA5}	dB(A)	58	58	57	59	61
SWL outlet L_{WA6}	dB(A)	59	59	59	61	61
SWL housing break out L_{WA2}	dB(A)	46	45	45	44	45

Sound power (L_W) dB(A)		Medium Frequency Band								
		Σ	63	125	250	500	1k	2k	4k	8k
Inlet	L_{WA5}	57	34	38	48	52	52	51	44	35
Outlet	L_{WA6}	59	33	40	56	49	50	51	46	35
Housing radiation	L_{WA2}	45	35	33	33	35	41	37	32	23

RS 125L 20 143353	
Voltage U_N	230 V 1~
Current I_{max}	0,2 A
Ambient temperature t_A	60 °C
Conveyed medium temperature t_M	60 °C
Speed Control	V
Motor protection	TAI
Insulation class motor	F
Weight	2,7 kg
Number of poles	2
IP motor	IP33
IP terminal box	IP44
IP complete unit	IPX4
Min. operating temperature	-25 °C



ruck^{eu}
VENTILATOREN
ruck Ventilatoren
Max-Planck-Str. 5
D-97944 Boxberg



Protection Mark
according to ISO 16016

Created a.mezei
Drawn a.mezei
Released
Disabled

1:4 A4 mm

General tolerances
DIN ISO 2768-c

15.02.2018
15.02.2018

RS125L20

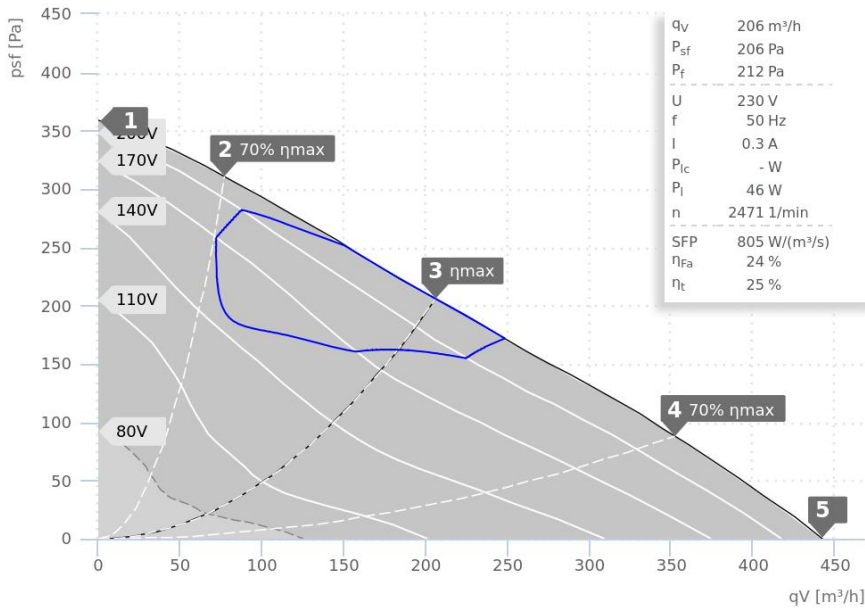
143353 00

VENTAS
VENTILATORER

DATA SHEET

ruck.eu
VENTILATOREN

RS 150 10 | 134984



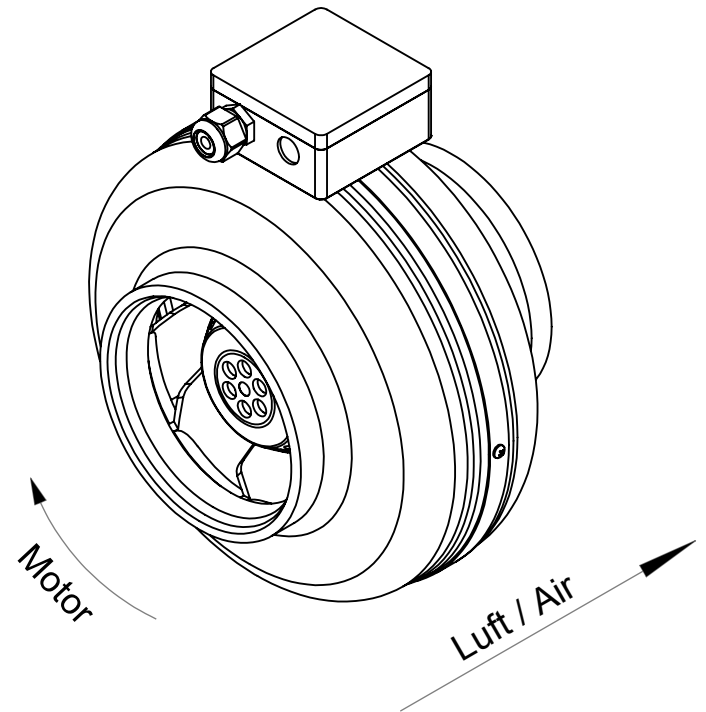
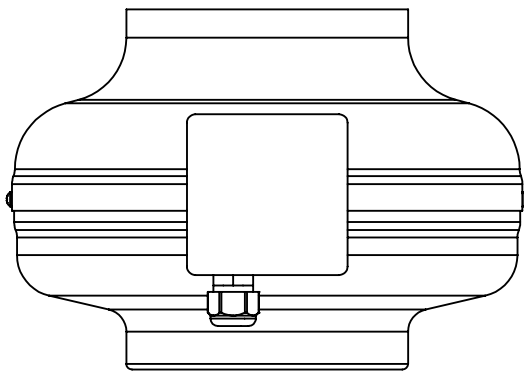
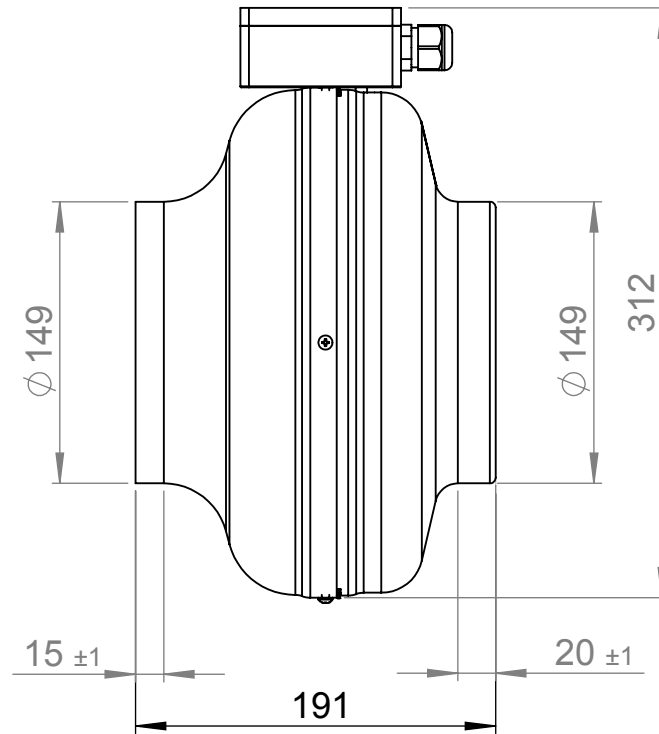
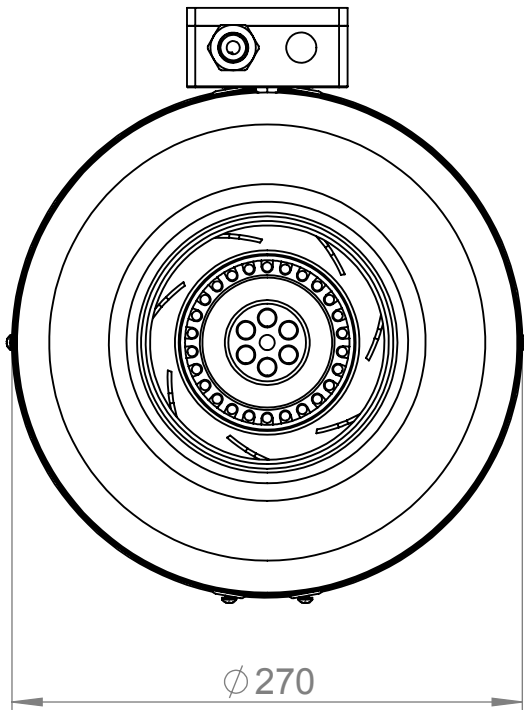
- Backward curved centrifugal fan
- Metal housing RAL 7035
- Speed controllable
- Integrated thermostatic switch
- Incl. terminal box

— ErP compliant range

Operating Point		1	2	3	4	5
Current I	A	0,2	0,3	0,3	0,3	0,3
Power consumption P ₁	W	33	39	46	48	46
Rotation speed n	1/min	2762	2664	2471	2430	2482
SWL inlet L _{WA5}	dB(A)	64	63	62	64	66
SWL outlet L _{WA6}	dB(A)	65	64	62	63	66
SWL housing break out L _{WA2}	dB(A)	52	51	49	49	51

Sound power (L _W) dB(A)		Medium Frequency Band								
		Σ	63	125	250	500	1k	2k	4k	8k
Inlet	L _{WA5}	62	34	43	48	55	57	56	53	44
Outlet	L _{WA6}	62	35	45	55	54	56	56	52	43
Housing radiation	L _{WA2}	49	34	32	38	43	45	43	37	27

RS 150 10 134984	
Voltage U _N	230 V 1~
Current I _{max}	0,3 A
Ambient temperature t _A	70 °C
Conveyed medium temperature t _M	70 °C
Speed Control	V
Motor protection	TMI
Insulation class motor	F
Weight	3,2 kg
Number of poles	2
IP motor	IP33
IP terminal box	IP44
IP complete unit	IPX4
Min. operating temperature	-25 °C



1:4 A4 mm

ruck^{EU}
VENTILATOREN

ruck Ventilatoren
Max-Planck-Str. 5
D-97944 Boxberg

Protection Mark
according to ISO16016

Drawn: s.pop
Created: v.brand
Changed:

General tolerances
DIN ISO 2768-mK

18.12.15
27.10.15

RS15010

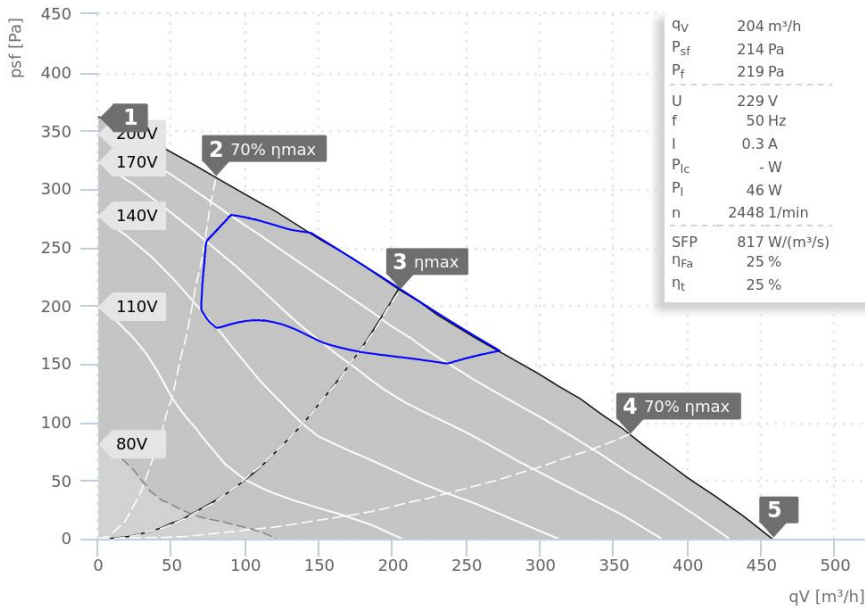
134984 00

VENTAS
VENTILATORER

DATA SHEET

ruck.eu
VENTILATOREN

RS 160 10 | 134986



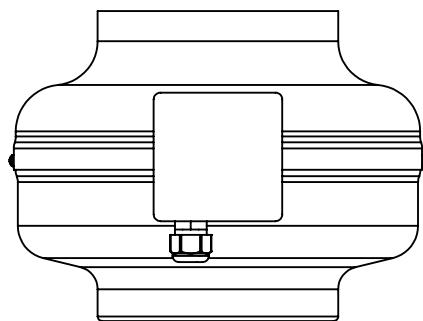
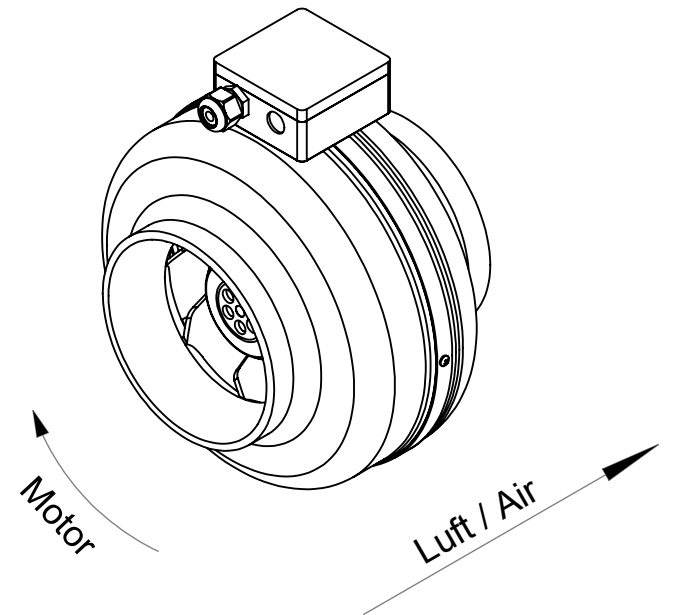
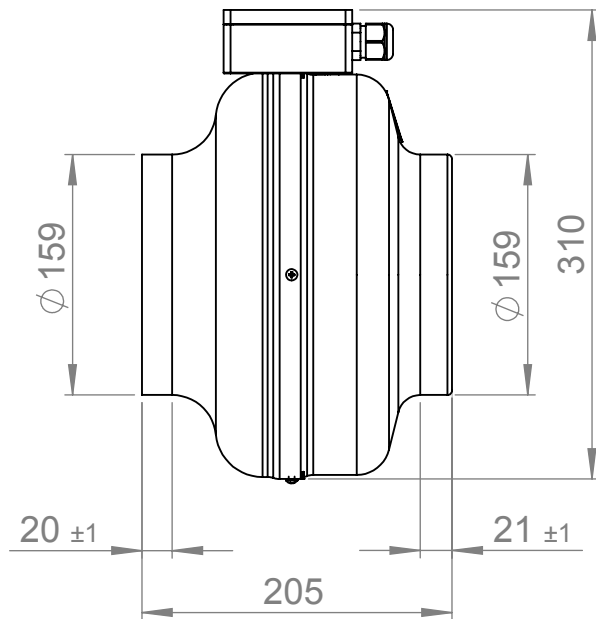
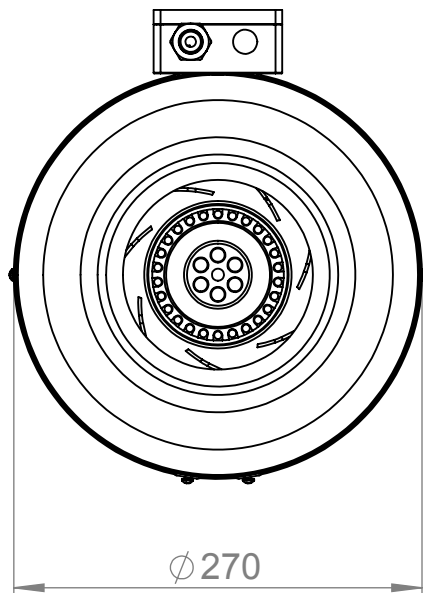
- Backward curved centrifugal fan
- Metal housing RAL 7035
- Speed controllable
- Integrated thermostatic switch
- Incl. terminal box

— ErP compliant range

Operating Point		1	2	3	4	5
Current I	A	0,2	0,3	0,3	0,3	0,3
Power consumption P _I	W	34	39	46	49	46
Rotation speed n	1/min	2748	2644	2451	2404	2469
SWL inlet L _{WA5}	dB(A)	64	63	62	63	67
SWL outlet L _{WA6}	dB(A)	64	64	62	64	65
SWL housing break out L _{WA2}	dB(A)	51	50	45	48	51

Sound power (L _W) dB(A)		Medium Frequency Band								
		Σ	63	125	250	500	1k	2k	4k	8k
Inlet	L _{WA5}	62	32	44	48	54	57	56	53	45
Outlet	L _{WA6}	62	36	45	56	53	57	56	51	44
Housing radiation	L _{WA2}	48	29	32	38	40	44	42	36	26

RS 160 10 134986	
Voltage U _N	230 V 1~
Current I _{max}	0,3 A
Ambient temperature t _A	70 °C
Conveyed medium temperature t _M	70 °C
Speed Control	V
Motor protection	TMI
Insulation class motor	F
Weight	3,2 kg
Number of poles	2
IP motor	IP33
IP terminal box	IP44
IP complete unit	IPX4
Min. operating temperature	-25 °C



1:5 A4 mm

ruck^{EU}
VENTILATOREN

ruck Ventilatoren
Max-Planck-Str. 5
D-97944 Boxberg

Protection Mark
according to ISO16016

Drawn: s.pop
Created: v.brand
Changed:

General tolerances
DIN ISO 2768-mK

18.12.15
27.10.15

RS16010

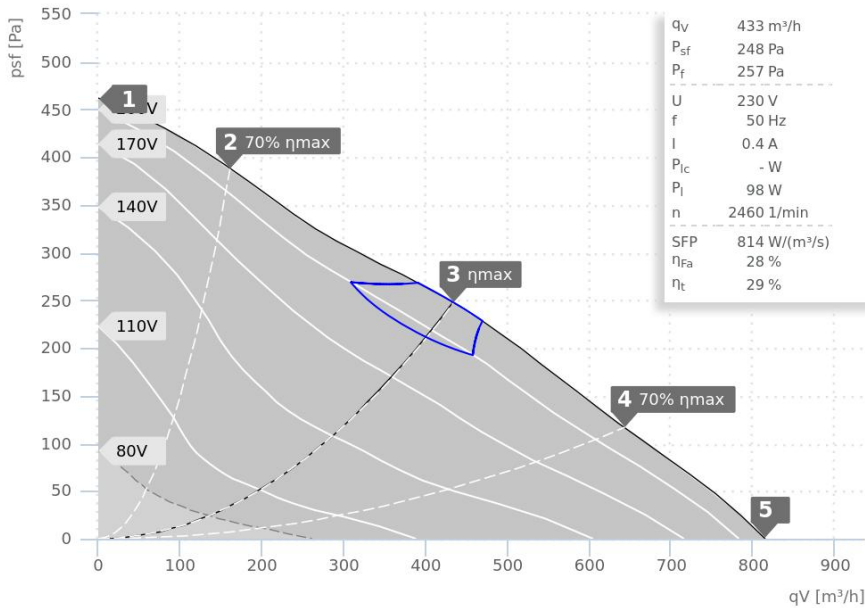
134986 00

VENTAS
VENTILATORER

DATA SHEET

ruck.eu
VENTILATOREN

RS 200 | 104209



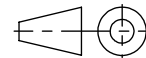
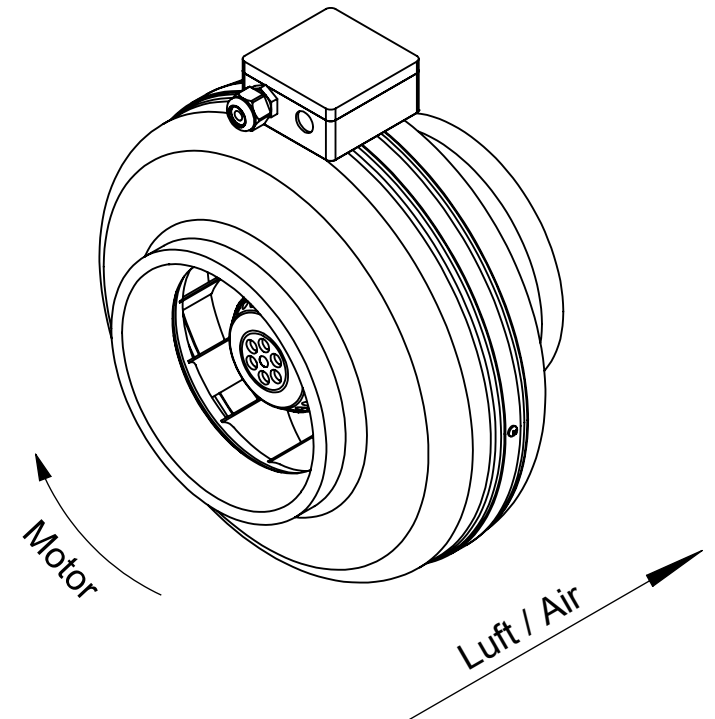
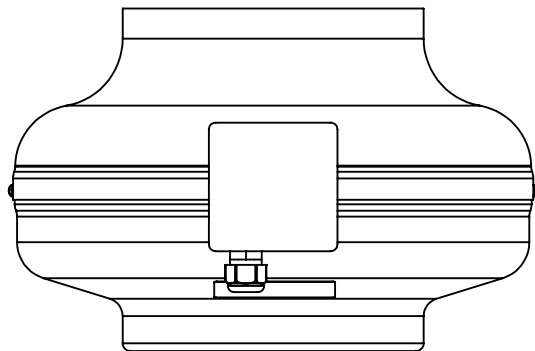
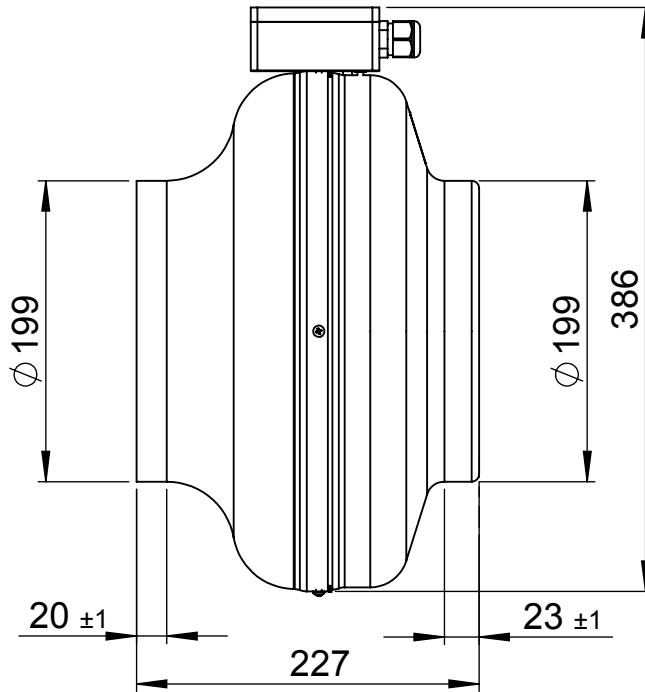
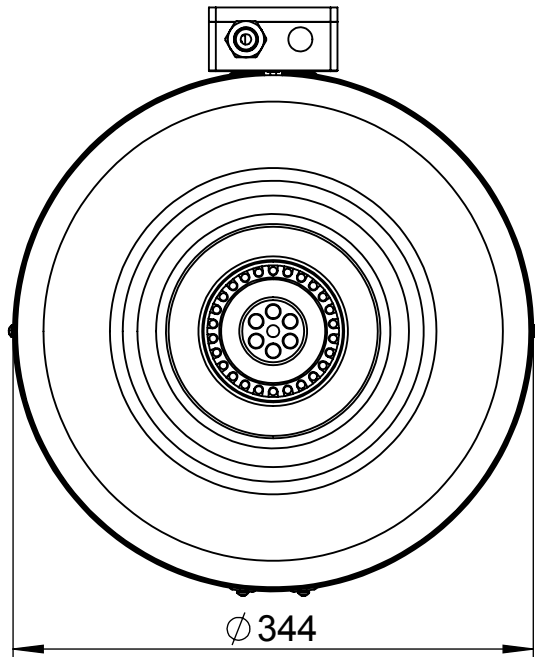
- Backward curved centrifugal fan
- Metal housing RAL 7035
- Speed controllable
- Integrated thermostatic switch
- Incl. terminal box

— ErP compliant range

Operating Point		1	2	3	4	5
Current I	A	0,4	0,4	0,4	0,4	0,4
Power consumption P _i	W	74	83	98	97	89
Rotation speed n	1/min	2723	2627	2460	2473	2567
SWL inlet L _{WA5}	dB(A)	71	71	71	71	73
SWL outlet L _{WA6}	dB(A)	70	71	70	71	73
SWL housing break out L _{WA2}	dB(A)	58	59	56	56	59

Sound power (L _W) dB(A)		Medium Frequency Band								
		Σ	63	125	250	500	1k	2k	4k	8k
Inlet	L _{WA5}	71	35	53	61	65	67	63	58	47
Outlet	L _{WA6}	70	35	56	63	62	65	64	59	47
Housing radiation	L _{WA2}	56	46	38	49	49	50	49	47	37

RS 200 104209	
Voltage U _N	230 V 1~
Current I _{max}	0,5 A
Ambient temperature t _A	70 °C
Conveyed medium temperature t _M	70 °C
Speed Control	V
Motor protection	TAI
Insulation class motor	F
Weight	4,2 kg
Number of poles	2
IP motor	IP33
IP terminal box	IP44
IP complete unit	IPX4
Min. operating temperature	-25 °C



1:5 A4 mm

ruck^{EU}
VENTILATOREN

Protection Mark
according to ISO16016

General tolerances
DIN ISO 2768-mK

RS200+

ruck Ventilatoren
Max-Planck-Str. 5
D-97944 Boxberg

Drawn: s.bundschuh
Created: sy
Changed: a.muehleck

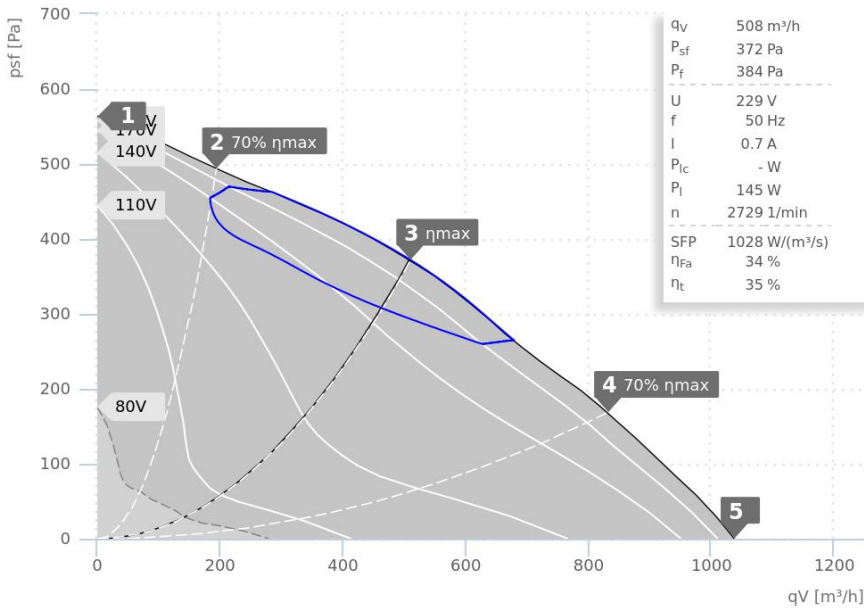
19.01.10
26.06.06
30.01.13

104209 02

VENTAS
VENTILATOREN

DATA SHEET

RS 200L 10 | 136395



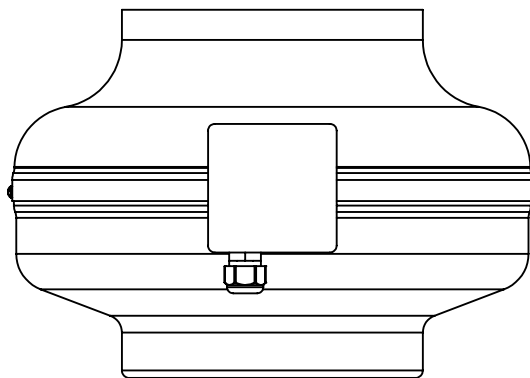
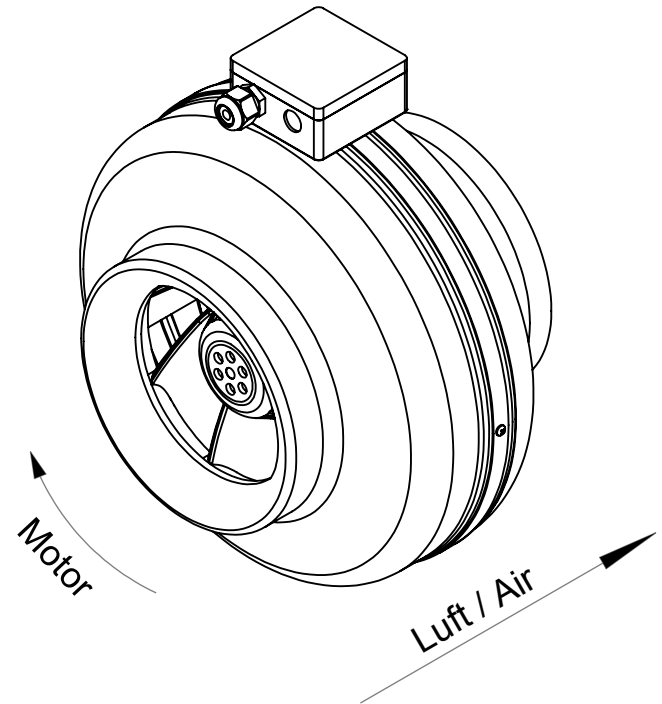
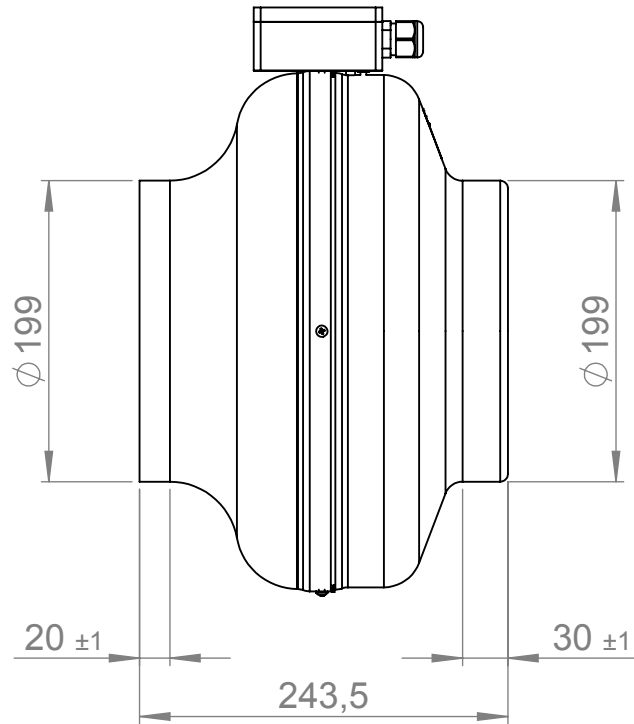
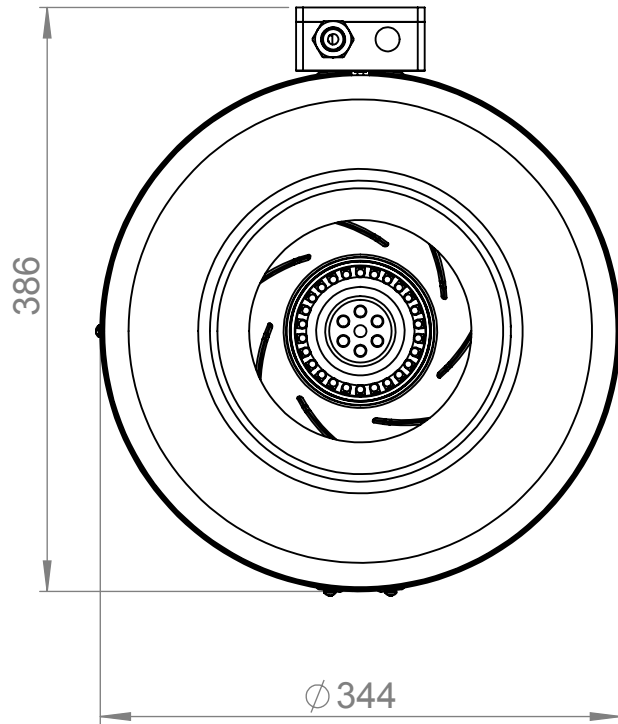
- Backward curved centrifugal fan
- Metal housing RAL 7035
- Speed controllable
- Integrated thermostatic switch
- Incl. terminal box

— ErP compliant range

Operating Point		1	2	3	4	5
Current I	A	0,4	0,5	0,7	0,7	0,6
Power consumption P ₁	W	83	107	145	153	135
Rotation speed n	1/min	2905	2833	2732	2721	2772
SWL inlet L _{WA5}	dB(A)	71	72	70	73	75
SWL outlet L _{WA6}	dB(A)	72	73	72	74	75
SWL housing break out L _{WA2}	dB(A)	61	61	61	62	63

Sound power (L _W) dB(A)		Medium Frequency Band								
		Σ	63	125	250	500	1k	2k	4k	8k
Inlet	L _{WA5}	70	37	49	61	63	65	62	59	49
Outlet	L _{WA6}	72	38	52	65	63	67	65	61	51
Housing radiation	L _{WA2}	60	40	49	48	51	54	56	53	43

RS 200L 10 136395	
Voltage U _N	230 V 1~
Current I _{max}	0,9 A
Ambient temperature t _A	75 °C
Conveyed medium temperature t _M	75 °C
Speed Control	V
Motor protection	TMI
Insulation class motor	F
Weight	5,1 kg
Number of poles	2
IP motor	IP33
IP terminal box	IP44
IP complete unit	IPX4
Min. operating temperature	-25 °C



1:5 A4 mm

ruck^{EU}
VENTILATOREN

ruck Ventilatoren
Max-Planck-Str. 5
D-97944 Boxberg

Protection Mark
according to ISO16016

Drawn: d.andree
Created: d.andree
Changed: d.andree

General tolerances
DIN ISO 2768-mK

23.02.16
23.02.16
24.02.16

RS200L10

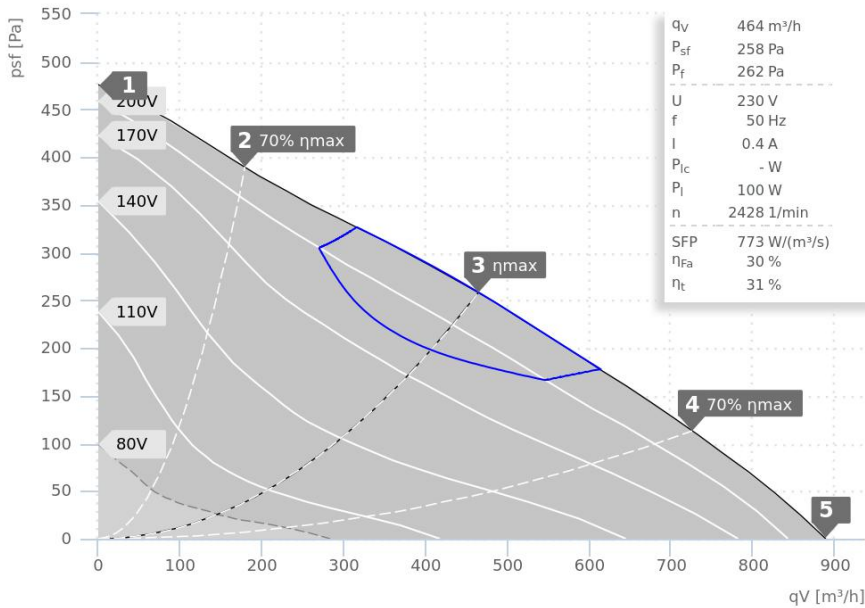
136395 00

VENTAS
VENTILATOREN

DATA SHEET

ruck.eu
VENTILATOREN

RS 250 | 104213



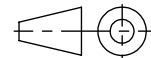
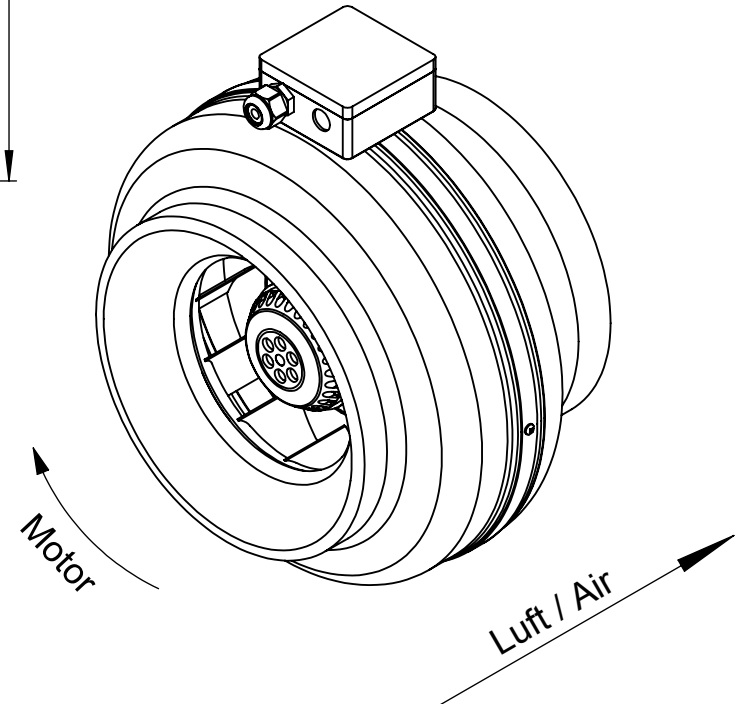
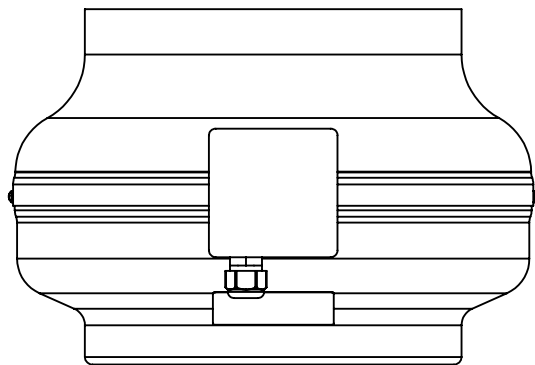
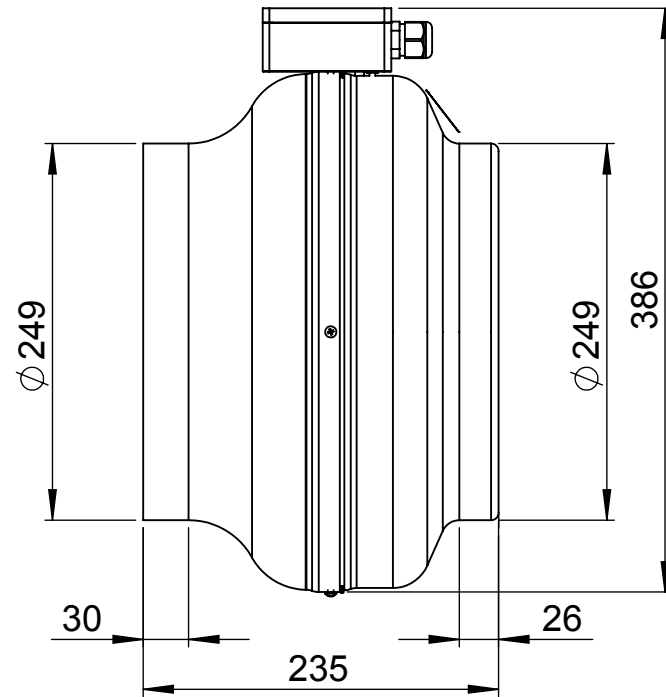
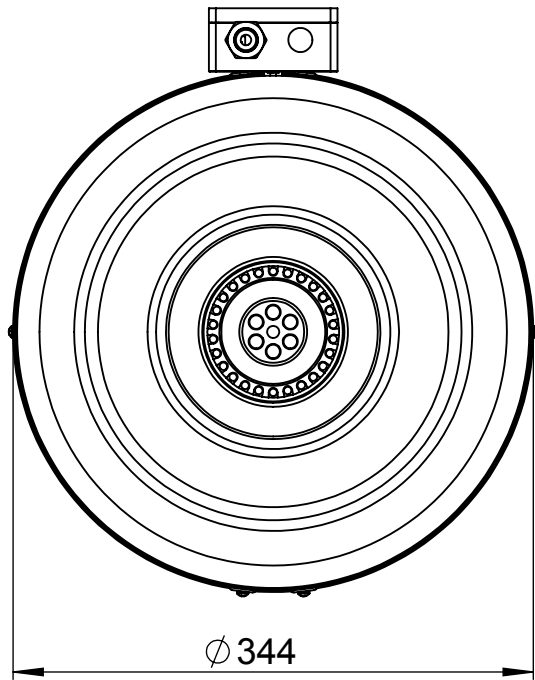
- Backward curved centrifugal fan
- Metal housing RAL 7035
- Speed controllable
- Integrated thermostatic switch
- Incl. terminal box

— ErP compliant range

		Operating Point				
		1	2	3	4	5
Current I	A	0,4	0,4	0,4	0,4	0,4
Power consumption P _i	W	74	85	100	96	89
Rotation speed n	1/min	2722	2602	2428	2467	2559
SWL inlet L _{WA5}	dB(A)	74	72	71	73	75
SWL outlet L _{WA6}	dB(A)	76	74	74	75	77
SWL housing break out L _{WA2}	dB(A)	60	59	58	61	62

Sound power (L _W) dB(A)		Medium Frequency Band								
		Σ	63	125	250	500	1k	2k	4k	8k
Inlet	L _{WA5}	71	36	49	59	65	66	63	63	57
Outlet	L _{WA6}	74	40	53	63	66	69	68	63	56
Housing radiation	L _{WA2}	58	40	42	43	51	54	53	47	40

RS 250 104213	
Voltage U _N	230 V 1~
Current I _{max}	0,5 A
Ambient temperature t _A	60 °C
Conveyed medium temperature t _M	60 °C
Speed Control	V
Motor protection	TAI
Insulation class motor	F
Weight	4,3 kg
Number of poles	2
IP motor	IP33
IP terminal box	IP44
IP complete unit	IPX4
Min. operating temperature	-25 °C



1:5 A4 mm

ruck^{EU}
VENTILATOREN

ruck Ventilatoren
Max-Planck-Str. 5
D-97944 Boxberg

Protection Mark
according to ISO16016

Drawn: s.bundschuh
Created: sy
Changed: a.muehleck

General tolerances
DIN ISO 2768-mK

19.01.10
26.06.06
30.01.13

RS250+

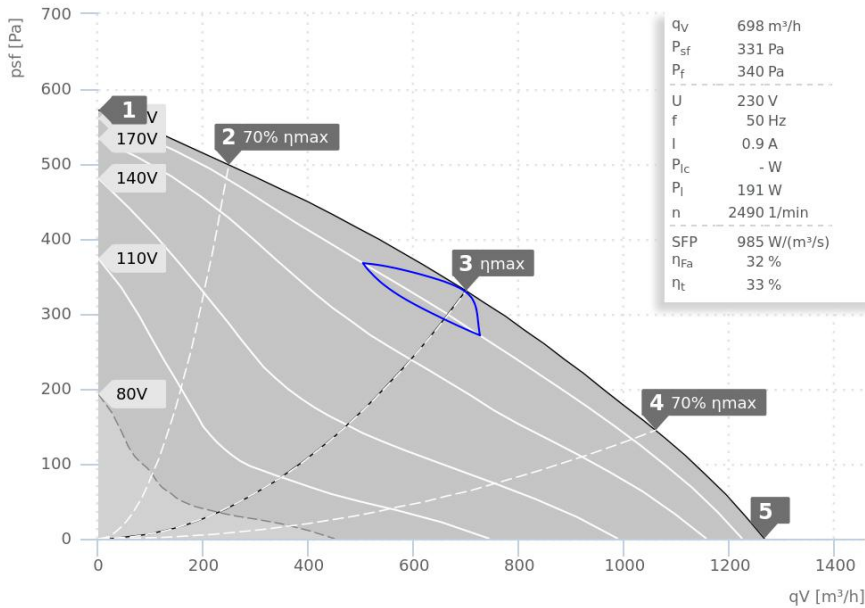
104213 02

VENTAS
VENTILATOREN

DATA SHEET

ruck.eu
VENTILATOREN

RS 250L | 130363



— ErP compliant range



- Backward curved centrifugal fan
- Metal housing RAL 7035
- Speed controllable
- Integrated thermostatic switch
- Incl. terminal box

Operating Point		1	2	3	4	5
Current I	A	0,6	0,7	0,9	0,8	0,8
Power consumption P_i	W	124	148	191	180	157
Rotation speed n	1/min	2795	2682	2491	2559	2654
SWL inlet L_{WA5}	dB(A)	76	75	72	75	76
SWL outlet L_{WA6}	dB(A)	77	76	74	76	78
SWL housing break out L_{WA2}	dB(A)	65	64	61	62	64

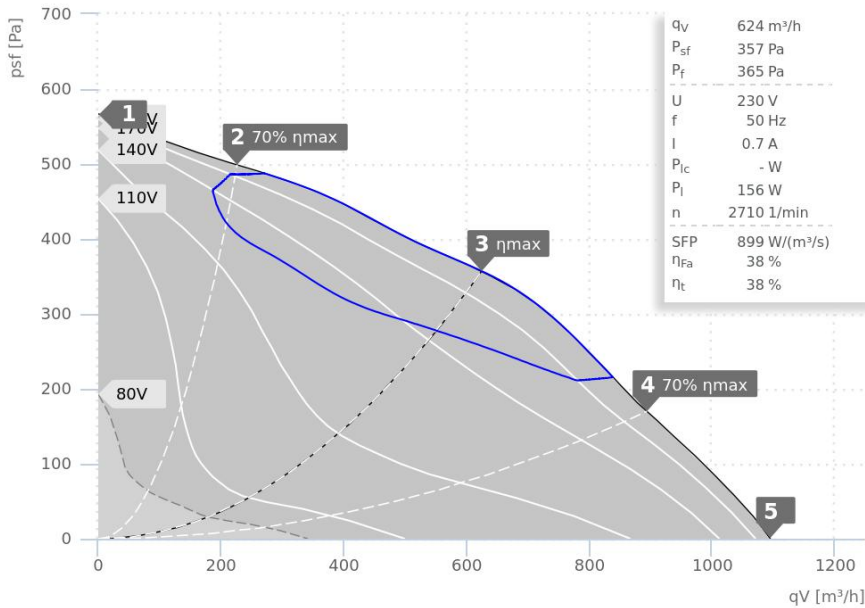
Sound power (L_W) dB(A)		Medium Frequency Band								
		Σ	63	125	250	500	1k	2k	4k	8k
Inlet	L_{WA5}	72	41	53	62	68	67	63	63	55
Outlet	L_{WA6}	74	42	56	69	67	69	67	63	56
Housing radiation	L_{WA2}	61	39	42	48	53	54	54	56	50

RS 250L 130363	
Voltage U_N	230 V 1~
Current I_{max}	0,9 A
Ambient temperature t_A	50 °C
Conveyed medium temperature t_M	50 °C
Speed Control	V
Motor protection	TAI
Insulation class motor	F
Weight	5,0 kg
Number of poles	2
IP motor	IP33
IP terminal box	IP44
IP complete unit	IPX4
Min. operating temperature	-25 °C

DATA SHEET

ruck.eu
VENTILATOREN

RS 250L 10 | 136398



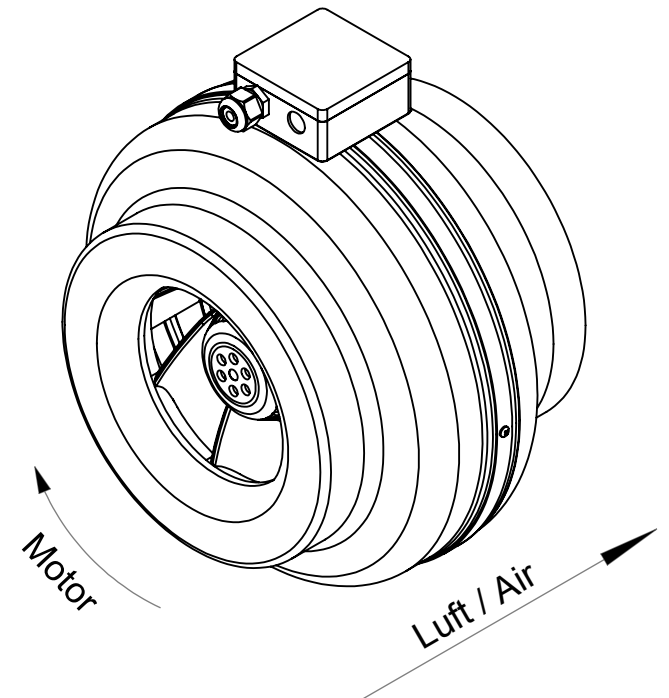
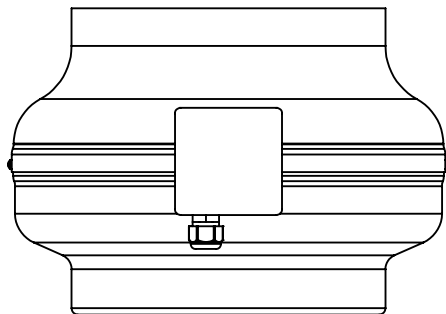
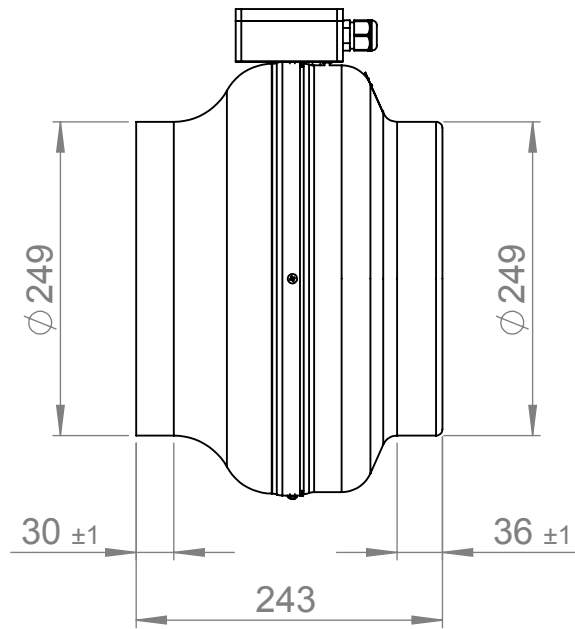
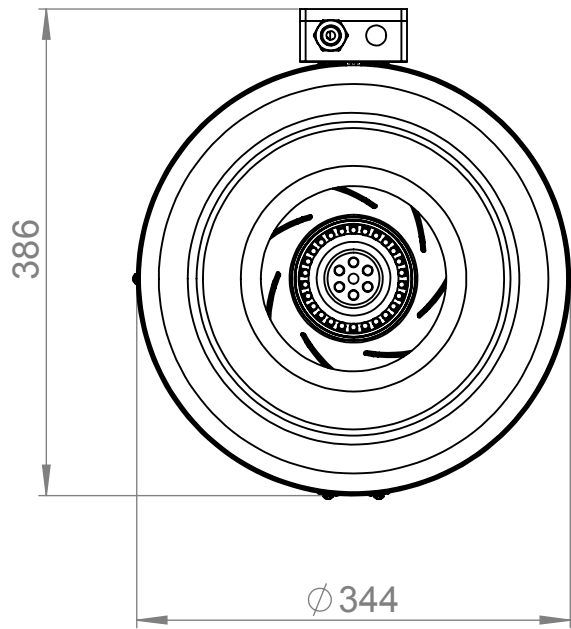
- Backward curved centrifugal fan
- Metal housing RAL 7035
- Speed controllable
- Integrated thermostatic switch
- Incl. terminal box

— ErP compliant range

Operating Point		1	2	3	4	5
Current I	A	0,4	0,5	0,7	0,7	0,6
Power consumption P _i	W	85	114	156	150	129
Rotation speed n	1/min	2906	2825	2710	2742	2796
SWL inlet L _{WA5}	dB(A)	71	70	68	72	74
SWL outlet L _{WA6}	dB(A)	73	73	71	75	76
SWL housing break out L _{WA2}	dB(A)	60	60	59	61	62

Sound power (L _W) dB(A)		Medium Frequency Band								
		Σ	63	125	250	500	1k	2k	4k	8k
Inlet	L _{WA5}	68	37	48	58	60	64	61	60	49
Outlet	L _{WA6}	71	38	49	63	65	65	64	61	51
Housing radiation	L _{WA2}	59	40	48	47	50	54	53	50	39

RS 250L 10 136398	
Voltage U _N	230 V 1~
Current I _{max}	0,9 A
Ambient temperature t _A	70 °C
Conveyed medium temperature t _M	70 °C
Speed Control	V
Motor protection	TMI
Insulation class motor	F
Weight	4,9 kg
Number of poles	2
IP motor	IP33
IP terminal box	IP44
IP complete unit	IPX4
Min. operating temperature	-25 °C



1:6 A4 mm

ruck^{EU}
VENTILATOREN

ruck Ventilatoren
Max-Planck-Str. 5
D-97944 Boxberg

Protection Mark
according to ISO16016

Drawn: d.andree
Created: d.andree
Changed: d.andree

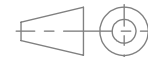
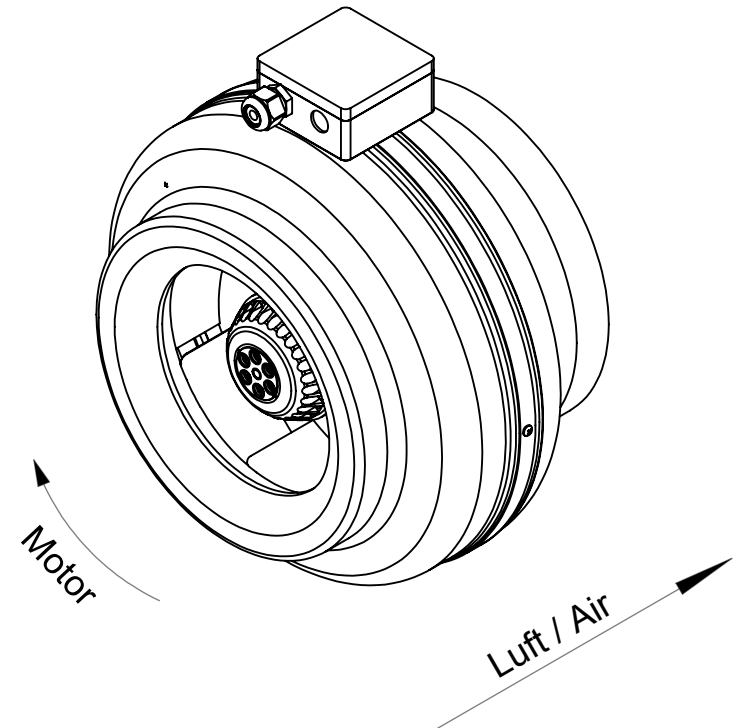
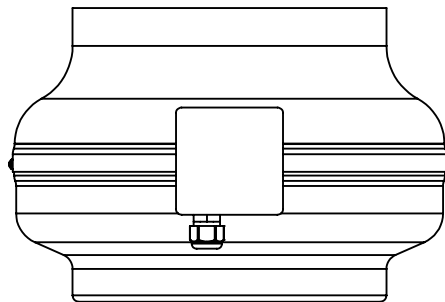
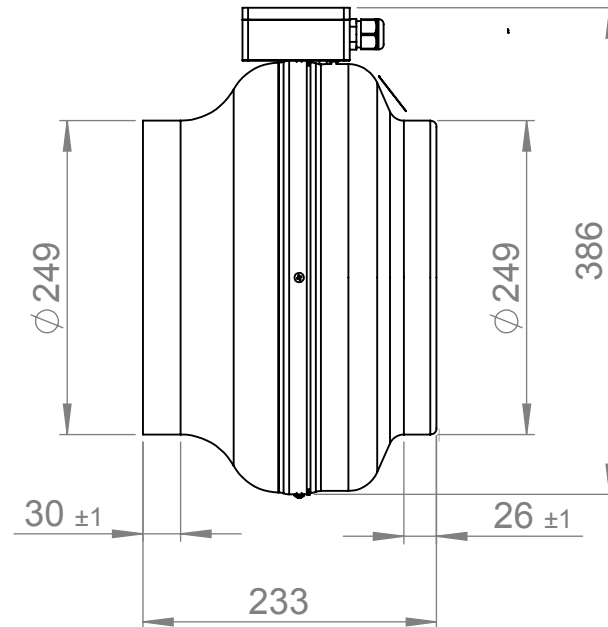
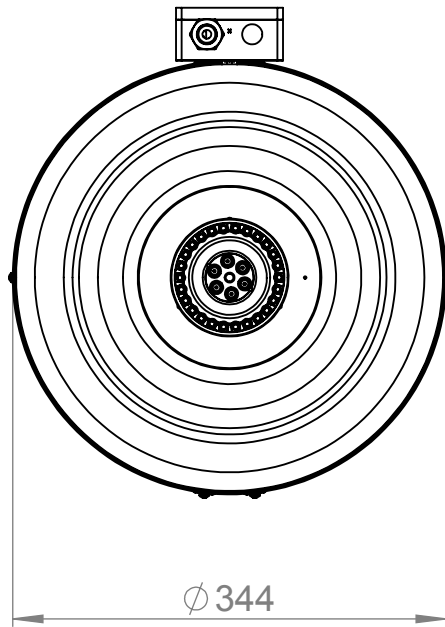
General tolerances
DIN ISO 2768-mK

23.02.16
23.02.16
24.02.16

RS250L10

136398 00

VENTAS
VENTILATORER



1:6 A4 mm



Protection Mark according to ISO16016

General tolerances DIN ISO 2768-mK

RS250L

ruck Ventilatoren
Max-Planck-Str. 5
D-97944 Boxberg

Drawn: a.mezei
Created: d.hancu
Changed:

12.09.14
06.06.14

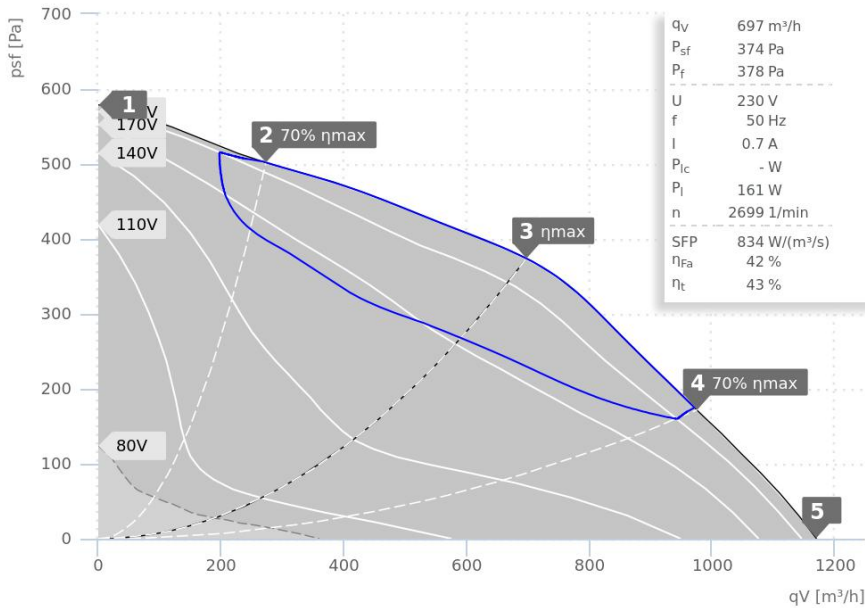
130363 00



DATA SHEET

ruck.eu
VENTILATOREN

RS 315 10 | 136400



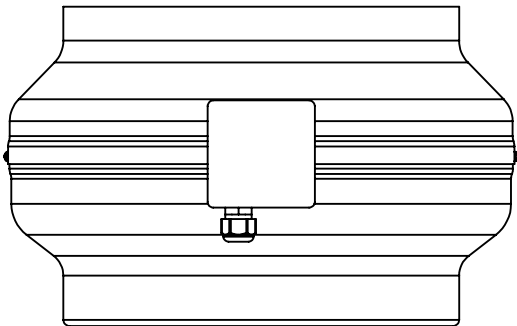
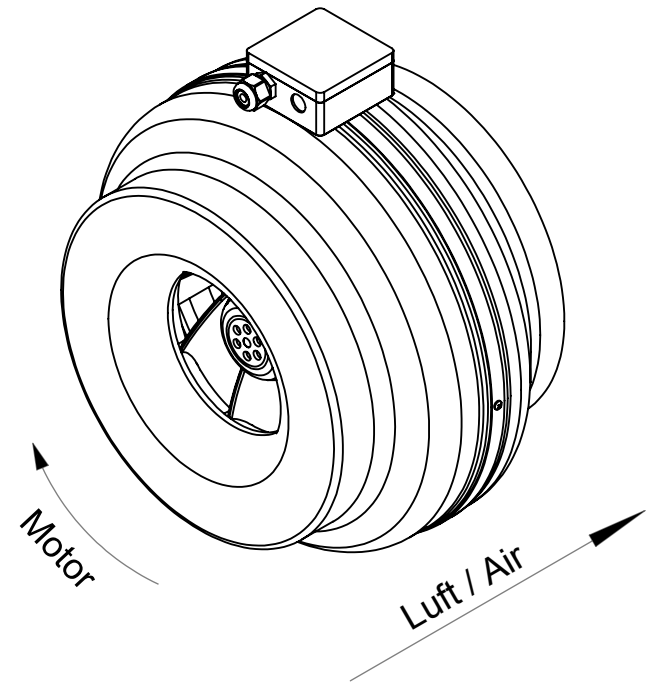
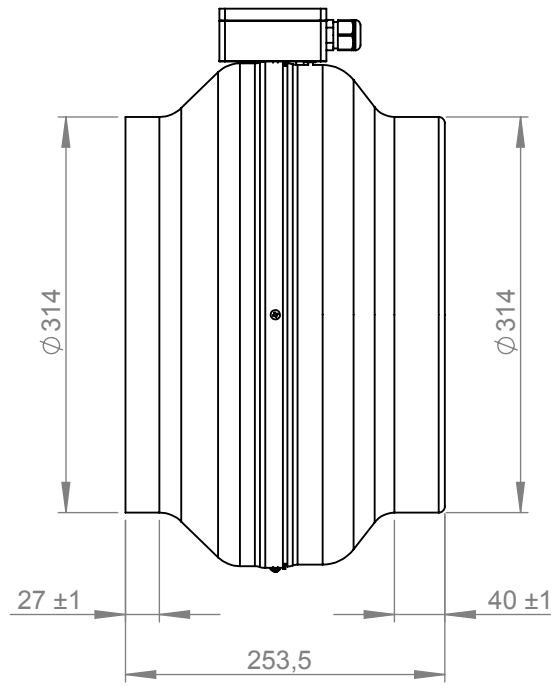
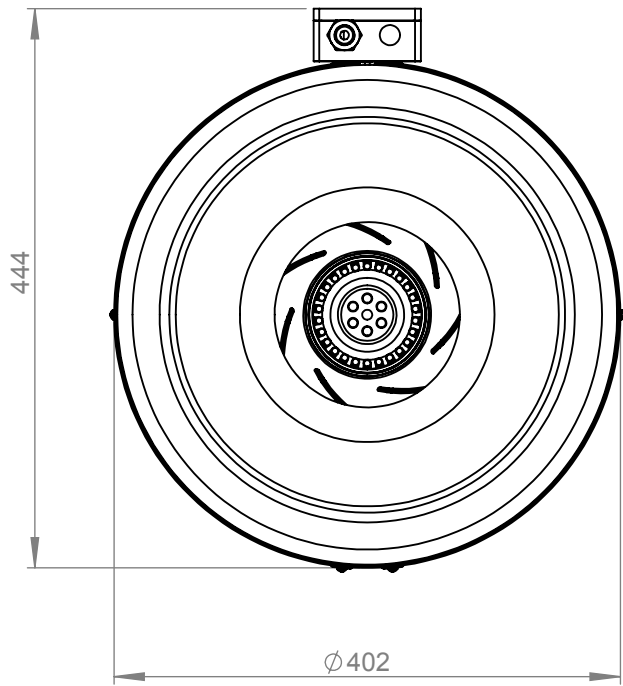
- Backward curved centrifugal fan
- Metal housing RAL 7035
- Speed controllable
- Integrated thermostatic switch
- Incl. terminal box

— ErP compliant range

Operating Point		1	2	3	4	5
Current I	A	0,4	0,6	0,7	0,7	0,6
Power consumption P _i	W	90	124	161	146	122
Rotation speed n	1/min	2891	2796	2699	2753	2811
SWL inlet L _{WA5}	dB(A)	72	71	68	72	74
SWL outlet L _{WA6}	dB(A)	75	74	70	74	76
SWL housing break out L _{WA2}	dB(A)	60	59	56	59	60

Sound power (L _w) dB(A)		Medium Frequency Band								
		Σ	63	125	250	500	1k	2k	4k	8k
Inlet	L _{WA5}	68	38	45	57	58	64	60	62	49
Outlet	L _{WA6}	70	36	48	61	62	64	64	63	52
Housing radiation	L _{WA2}	56	40	46	45	47	50	51	47	35

RS 315 10 136400	
Voltage U _N	230 V 1~
Current I _{max}	0,9 A
Ambient temperature t _A	70 °C
Conveyed medium temperature t _M	70 °C
Speed Control	V
Motor protection	TMI
Insulation class motor	F
Weight	5,7 kg
Number of poles	2
IP motor	IP33
IP terminal box	IP44
IP complete unit	IPX4
Min. operating temperature	-25 °C



ruck Ventilatoren
Max-Planck-Str. 5
D-97944 Boxberg



1:6 A4 mm

Protection Mark
according to ISO16016

General tolerances
DIN ISO 2768-c

RS31510

Drawn: d.andree
Created: d.andree
Changed: d.andree

23.02.16
23.02.16
24.02.16

136400 00

