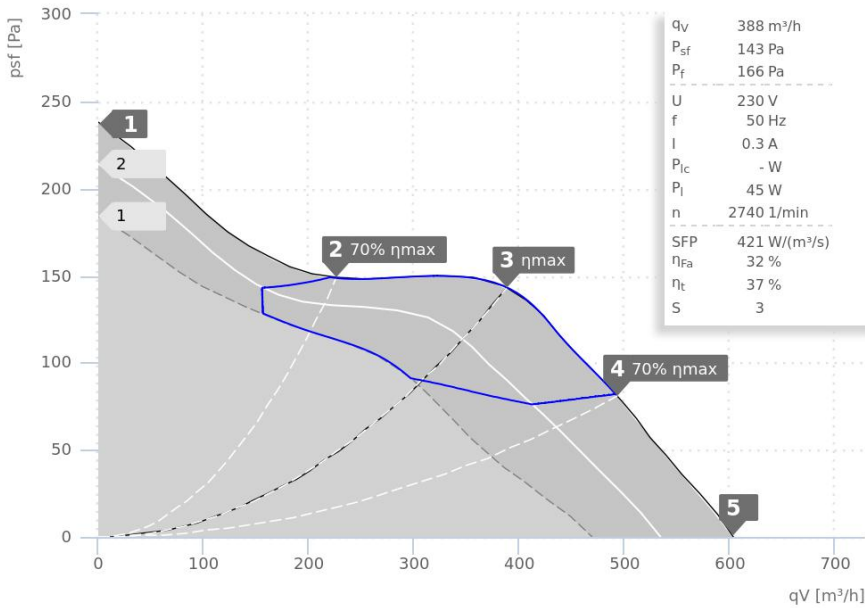


DATA SHEET

ruck.eu
VENTILATOREN

EM 150L E2M 01 | 126547



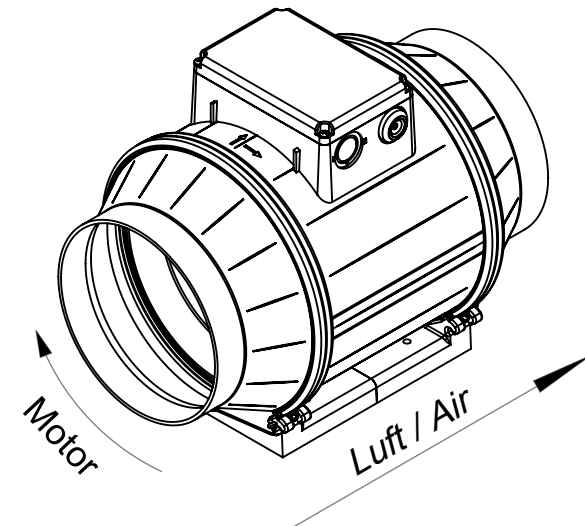
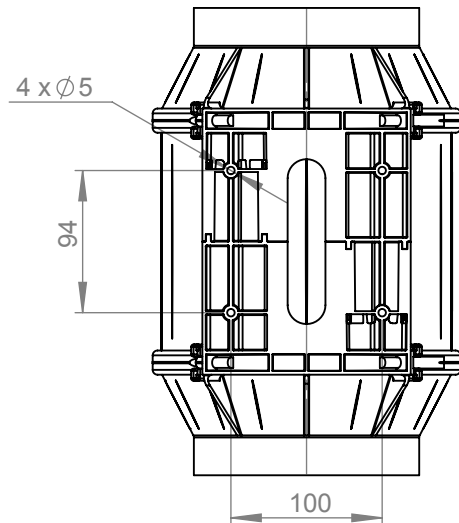
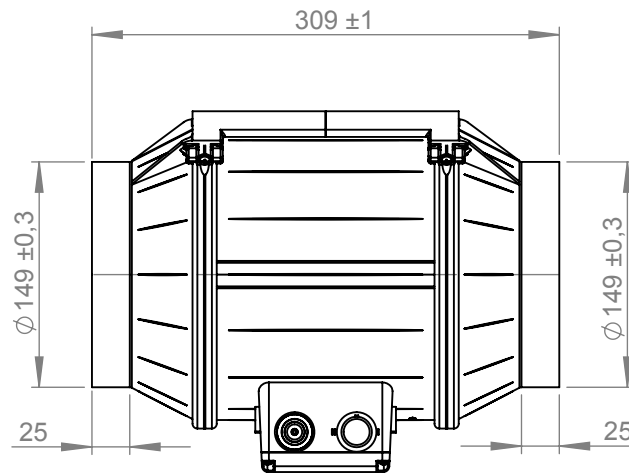
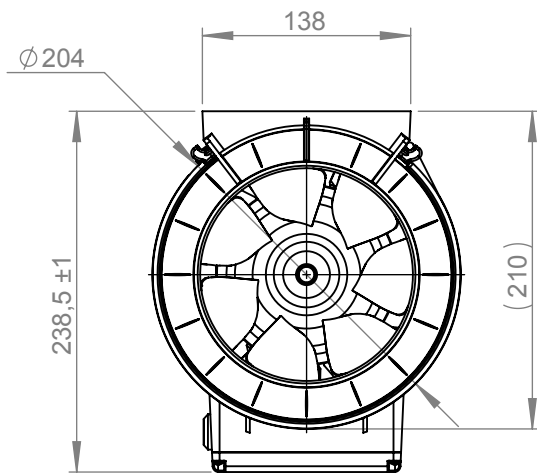
- Diagonal impeller with downstream three-dimensional guide vanes
- With plastic housing
- 3-step
- Integrated thermostatic switch
- Including mounting bracket

— ErP compliant range

Operating Point		1	2	3	4	5
Current I	A	0,3	0,3	0,3	0,3	0,3
Power consumption P _i	W	40	39	45	46	44
Rotation speed n	1/min	2802	2815	2740	2737	2768
SWL inlet L _{WA5}	dB(A)	68	68	69	69	70
SWL outlet L _{WA6}	dB(A)	66	67	67	68	71
SWL housing break out L _{WA2}	dB(A)	56	56	57	57	58

Sound power (L _W) dB(A)		Medium Frequency Band								
		Σ	63	125	250	500	1k	2k	4k	8k
Inlet	L _{WA5}	69	28	35	55	67	59	58	54	48
Outlet	L _{WA6}	67	31	35	56	63	62	57	57	51
Housing radiation	L _{WA2}	57	36	30	41	55	49	48	39	28

EM 150L E2M 01 126547	
Voltage U _N	230 V 1~
Current I _{max}	0,3 A
Ambient temperature t _A	60 °C
Conveyed medium temperature t _M	60 °C
Speed Control	3-2-1
Motor protection	TAI
Insulation class motor	F
Weight	2,4 kg
Number of poles	2
IP motor	IP00
IP terminal box	IP44
IP complete unit	IPX4
Min. operating temperature	-25 °C



1:5 A4 mm



Protection Mark according to ISO16016

General tolerances DIN ISO 2768-mK

EM150LE2M01+

ruck Ventilatoren
Max-Planck-Str. 5
D-97944 Boxberg

Drawn: m.deissler
Created: h.ragowski
Changed: m.deissler

26.09.13
18.09.12
18.11.13

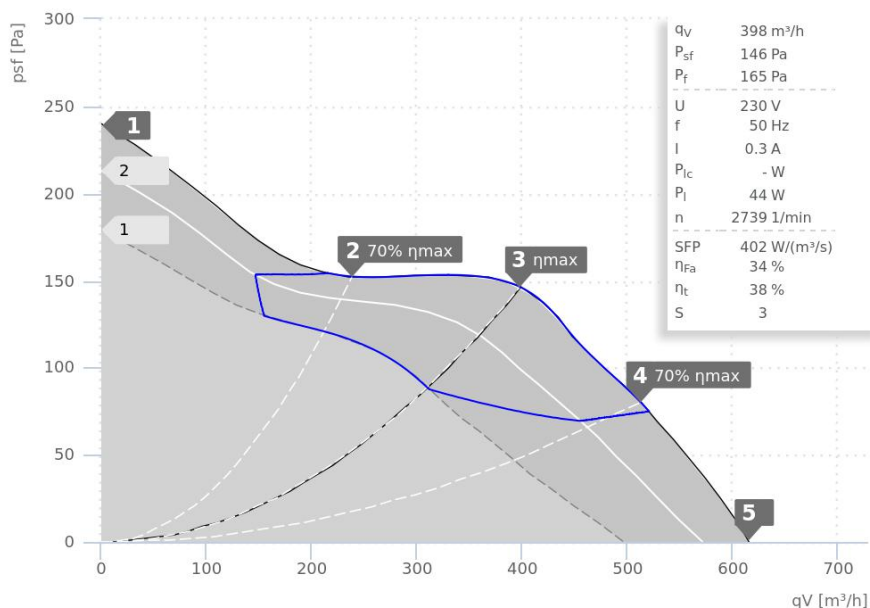
126547 02



DATA SHEET

ruck.eu
VENTILATOREN

EM 160L E2M 01 | 126549



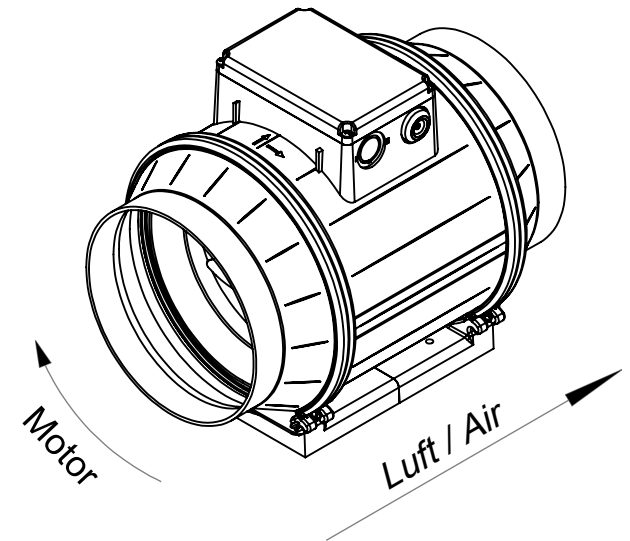
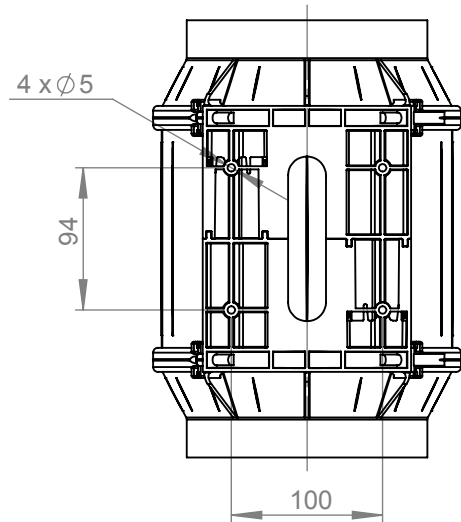
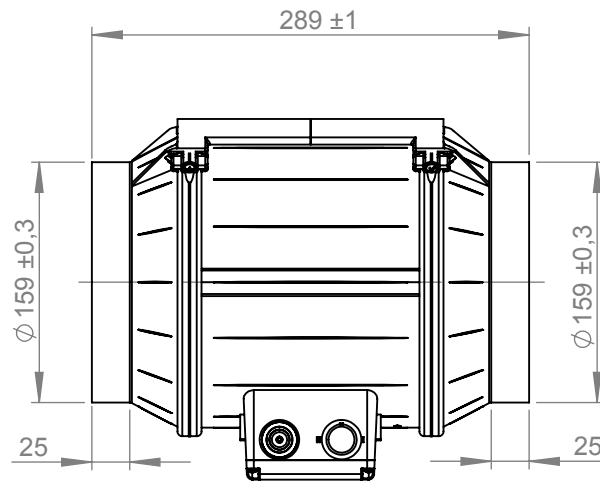
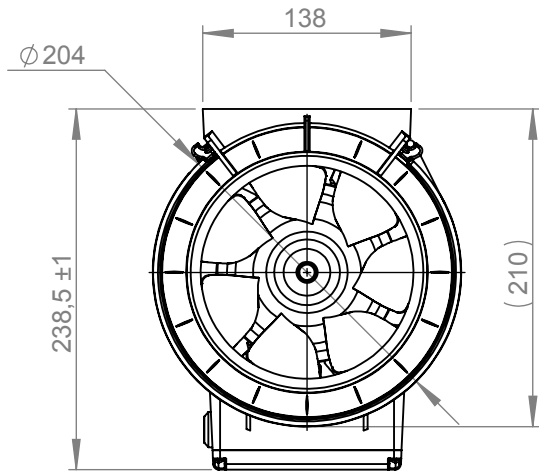
- Diagonal impeller with downstream three-dimensional guide vanes
- With plastic housing
- 3-step
- Integrated thermostatic switch
- Including mounting bracket

— ErP compliant range

Operating Point		1	2	3	4	5
Current I	A	0,3	0,3	0,3	0,3	0,3
Power consumption P _i	W	42	40	44	45	43
Rotation speed n	1/min	2788	2802	2739	2738	2774
SWL inlet L _{WA5}	dB(A)	67	67	66	67	68
SWL outlet L _{WA6}	dB(A)	67	67	66	67	69
SWL housing break out L _{WA2}	dB(A)	54	58	57	56	56

Sound power (L _W) dB(A)		Medium Frequency Band								
		Σ	63	125	250	500	1k	2k	4k	8k
Inlet	L _{WA5}	66	28	33	52	65	58	57	54	48
Outlet	L _{WA6}	66	28	37	55	61	63	57	57	51
Housing radiation	L _{WA2}	57	30	26	43	56	47	45	39	28

EM 160L E2M 01 126549	
Voltage U _N	230 V 1~
Current I _{max}	0,3 A
Ambient temperature t _A	60 °C
Conveyed medium temperature t _M	60 °C
Speed Control	3-2-1
Motor protection	TAI
Insulation class motor	F
Weight	2,5 kg
Number of poles	2
IP motor	IP00
IP terminal box	IP44
IP complete unit	IPX4
Min. operating temperature	-25 °C



1:5 A4 mm

ruck^{EU}
VENTILATOREN

ruck Ventilatoren
Max-Planck-Str. 5
D-97944 Boxberg

Protection Mark
according to ISO16016

Drawn: m.deissler
Created: h.ragowski
Changed: d.andree

General tolerances
DIN ISO 2768-mK

26.09.13
08.11.12
19.01.16

EM160LE2M01+

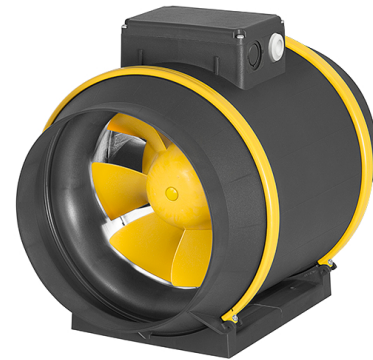
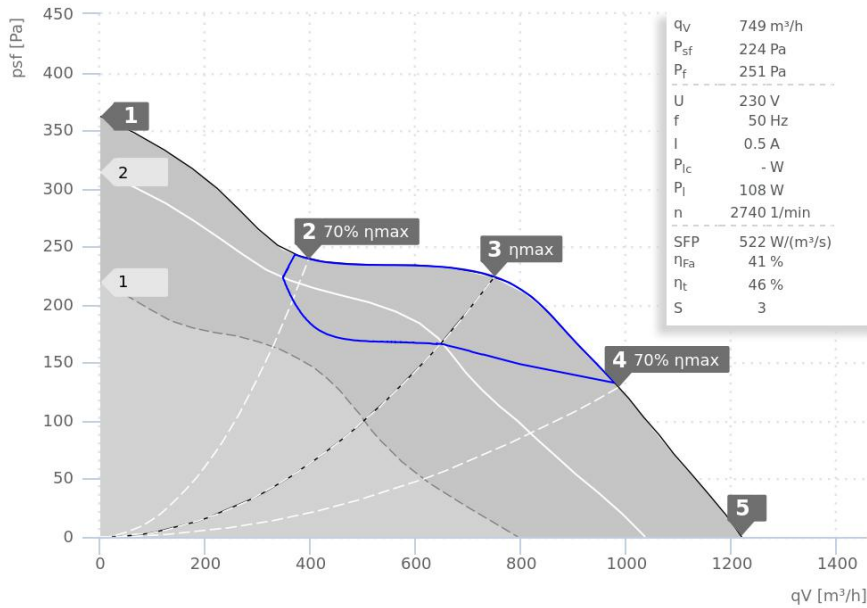
126549 03

VENTAS
VENTILATORER

DATA SHEET

ruck.eu
VENTILATOREN

EM 200 E2M 01 | 127249



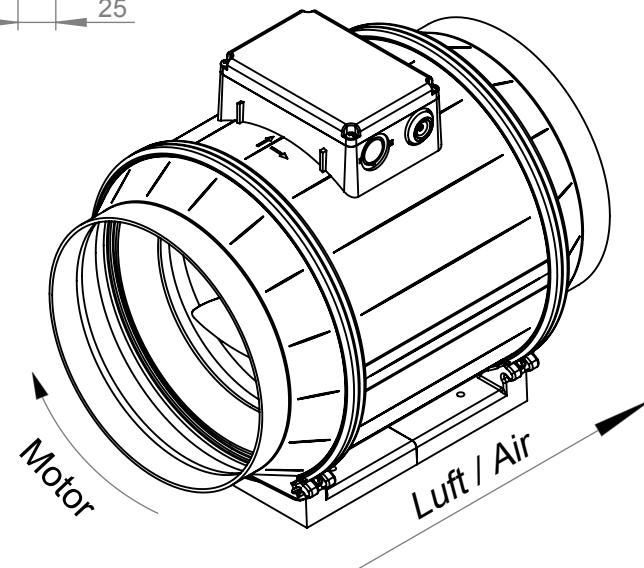
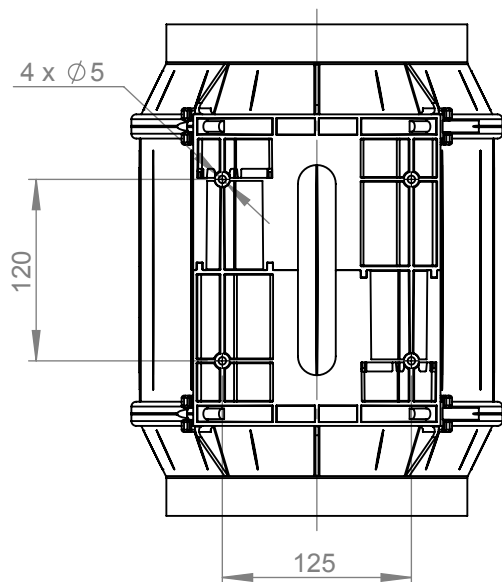
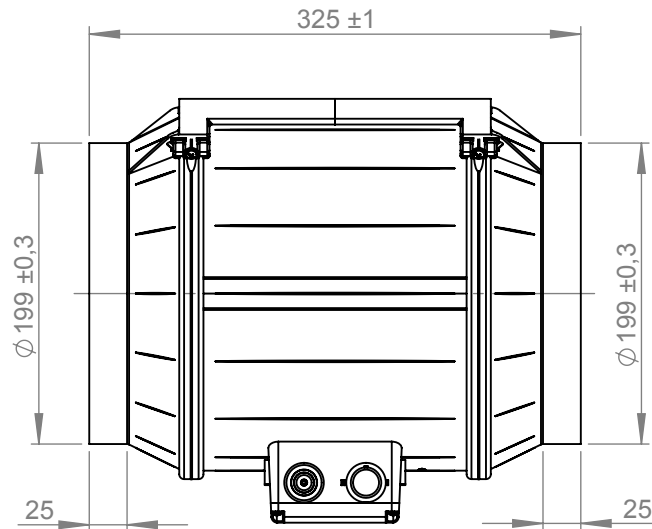
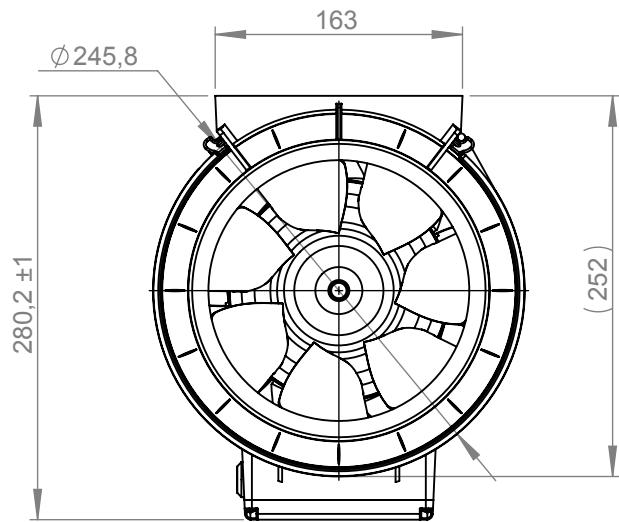
- Diagonal impeller with downstream three-dimensional guide vanes
- With plastic housing
- 3-step
- Integrated thermostatic switch
- Including mounting bracket

— ErP compliant range

Operating Point		1	2	3	4	5
Current I	A	0,5	0,4	0,5	0,6	0,5
Power consumption P _i	W	94	88	108	117	108
Rotation speed n	1/min	2820	2849	2740	2707	2757
SWL inlet L _{WA5}	dB(A)	72	70	72	72	73
SWL outlet L _{WA6}	dB(A)	74	73	74	74	75
SWL housing break out L _{WA2}	dB(A)	60	59	59	58	58

Sound power (L _w) dB(A)		Medium Frequency Band								
		Σ	63	125	250	500	1k	2k	4k	8k
Inlet	L _{WA5}	72	36	46	62	68	65	64	60	53
Outlet	L _{WA6}	74	39	47	65	67	70	66	64	56
Housing radiation	L _{WA2}	59	41	42	54	51	53	53	44	34

EM 200 E2M 01 127249	
Voltage U _N	230 V 1~
Current I _{max}	0,6 A
Ambient temperature t _A	60 °C
Conveyed medium temperature t _M	60 °C
Speed Control	3-2-1
Motor protection	TAI
Insulation class motor	F
Weight	4,0 kg
Number of poles	2
IP motor	IP00
IP terminal box	IP44
IP complete unit	IPX4
Min. operating temperature	-25 °C



1:5 A4 mm

ruck^{EU}
VENTILATOREN

ruck Ventilatoren
Max-Planck-Str. 5
D-97944 Boxberg

Protection Mark
according to ISO16016

Drawn: m.deissler
Created: h.ragowski
Changed: m.deissler

General tolerances
DIN ISO 2768-mK

26.09.13
17.12.12
26.09.13

EM200E2M01+

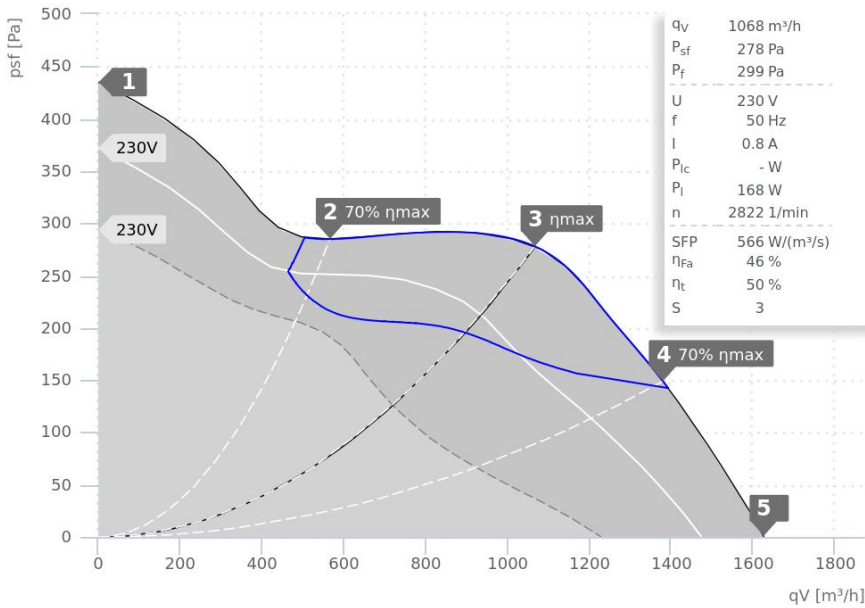
127249 02

VENTAS
VENTILATORER

DATA SHEET

ruck.eu
VENTILATOREN

EM 250 E2M 01 | 127317



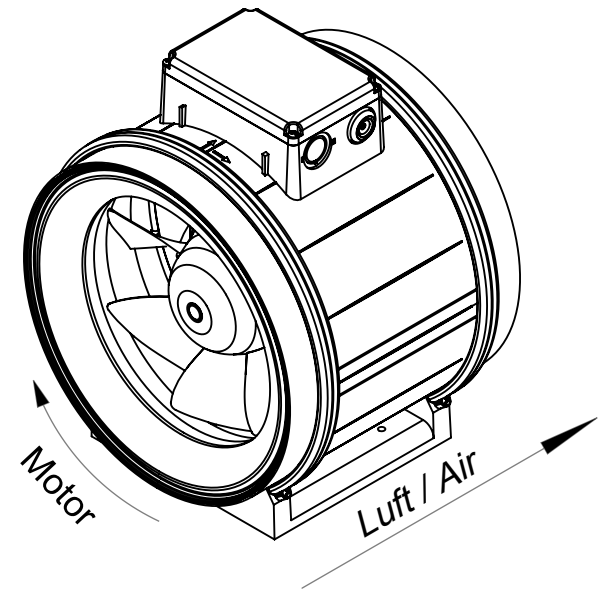
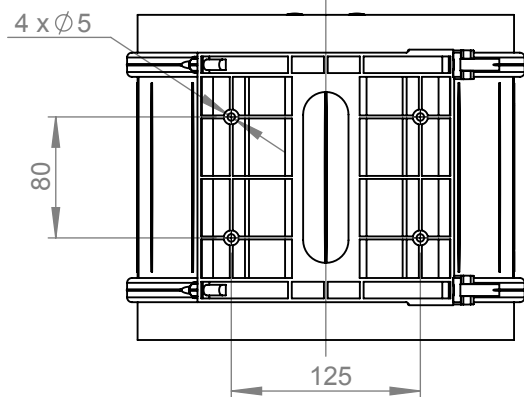
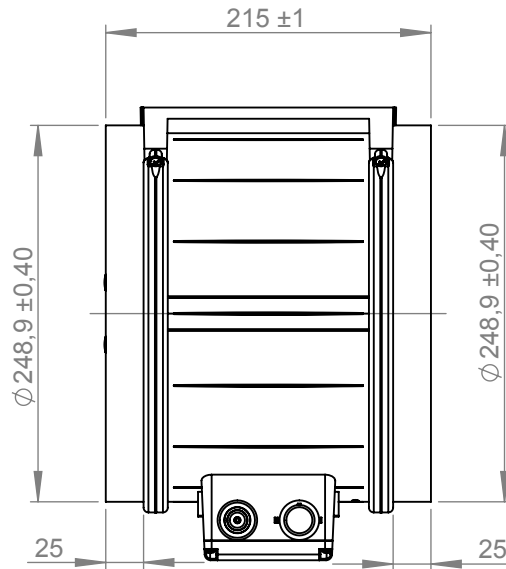
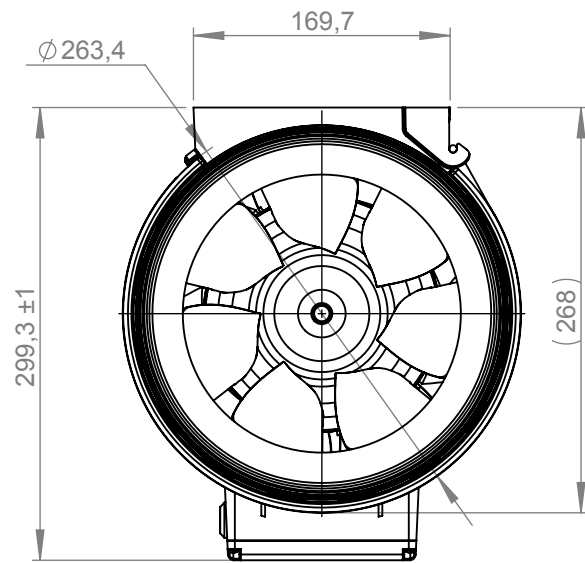
- Diagonal impeller with downstream three-dimensional guide vanes
- With plastic housing
- 3-step
- Integrated thermostatic switch
- Including mounting bracket

— ErP compliant range

Operating Point		1	2	3	4	5
Current I	A	0,6	0,6	0,8	0,8	0,7
Power consumption P _i	W	138	131	168	165	151
Rotation speed n	1/min	2871	2875	2822	2828	2852
SWL inlet L _{WA5}	dB(A)	76	75	75	73	75
SWL outlet L _{WA6}	dB(A)	80	78	78	76	78
SWL housing break out L _{WA2}	dB(A)	62	62	61	58	59

Sound power (L _W) dB(A)		Medium Frequency Band								
		Σ	63	125	250	500	1k	2k	4k	8k
Inlet	L _{WA5}	75	50	60	64	70	70	67	62	53
Outlet	L _{WA6}	78	49	60	66	71	75	72	63	54
Housing radiation	L _{WA2}	61	50	49	57	52	55	54	44	33

EM 250 E2M 01 127317	
Voltage U _N	230 V 1~
Current I _{max}	0,8 A
Ambient temperature t _A	50 °C
Conveyed medium temperature t _M	50 °C
Speed Control	3-2-1
Motor protection	TAI
Insulation class motor	F
Weight	5,7 kg
Number of poles	2
IP motor	IP00
IP terminal box	IP44
IP complete unit	IPX4
Min. operating temperature	-25 °C



1:5 A4 mm

ruck^{EU}
VENTILATOREN

ruck Ventilatoren
Max-Planck-Str. 5
D-97944 Boxberg

Protection Mark
according to ISO16016

Drawn: m.deissler
Created: h.ragowski
Changed: m.deissler

General tolerances
DIN ISO 2768-c

18.09.15
08.01.13
18.09.15

EM250E2M01+

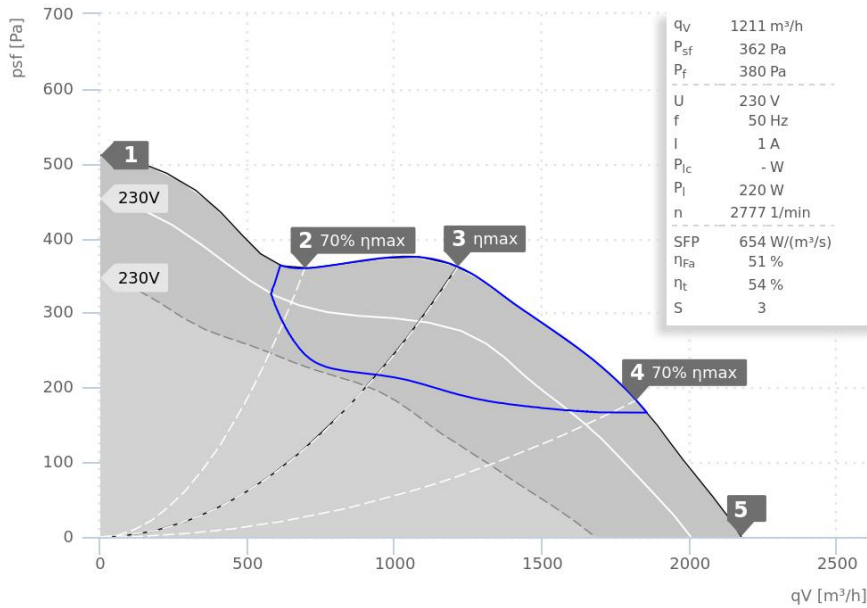
127317 03

VENTAS
VENTILATOREN

DATA SHEET

ruck.eu
VENTILATOREN

EM 280 E2M 01 | 130471



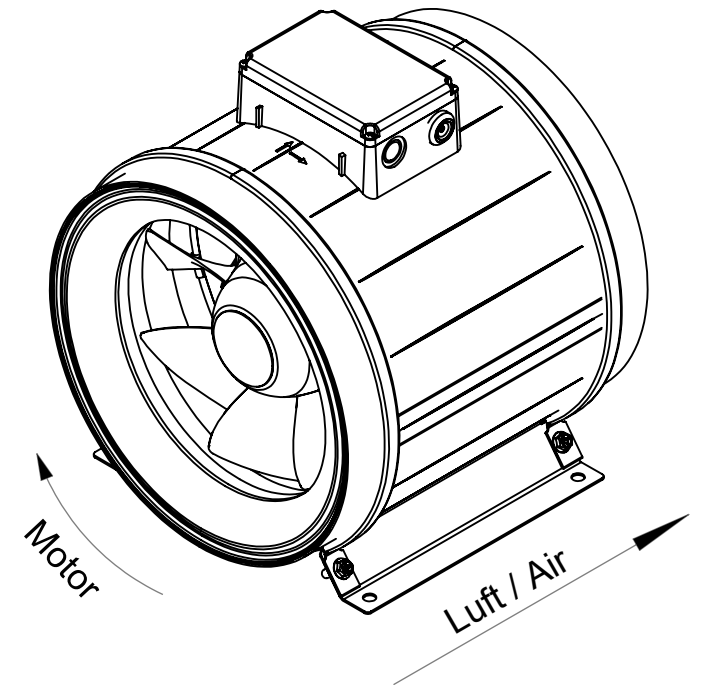
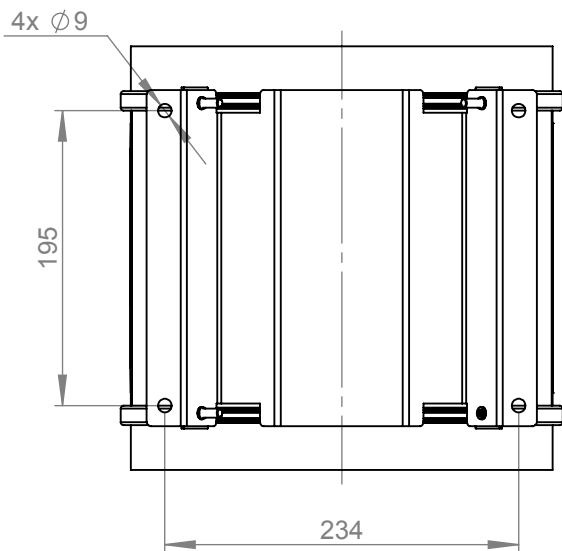
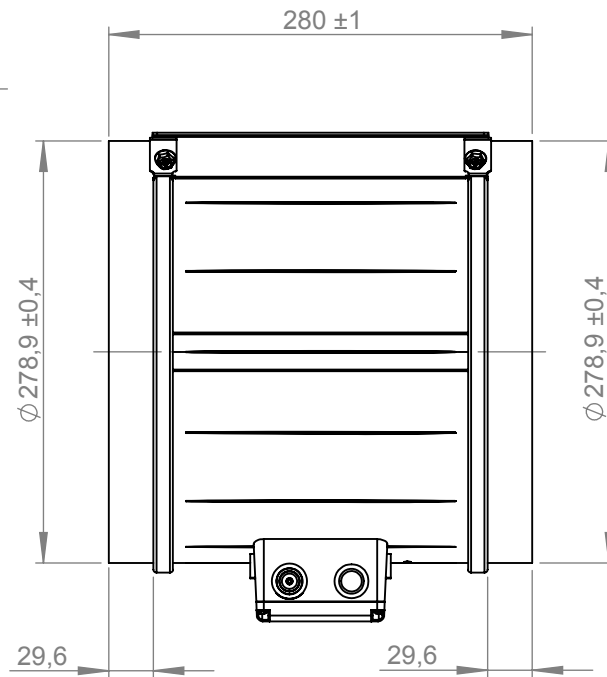
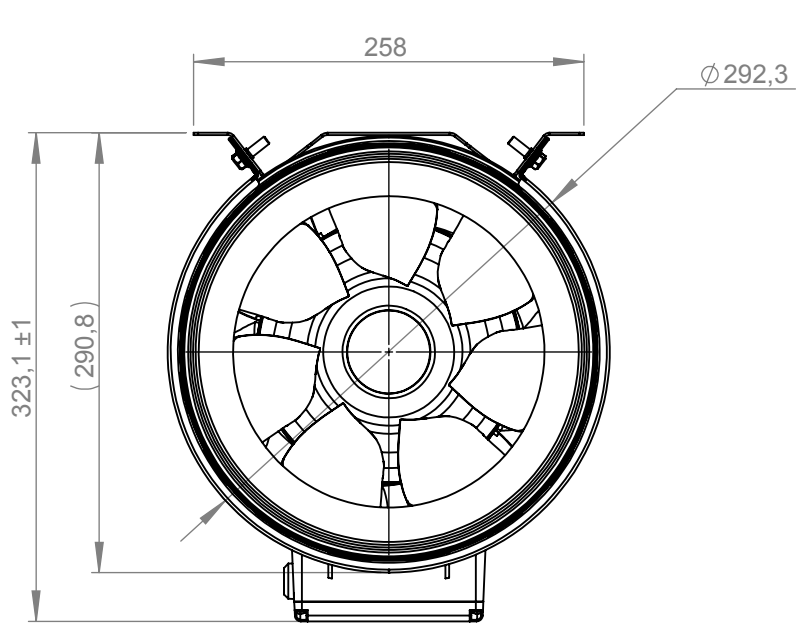
- Diagonal impeller with downstream three-dimensional guide vanes
- With plastic housing
- 3-step
- Integrated thermostatic switch
- Including mounting bracket

— ErP compliant range

Operating Point		1	2	3	4	5
Current I	A	0,9	0,8	1,0	1,1	1,0
Power consumption P _i	W	190	183	220	239	211
Rotation speed n	1/min	2818	2827	2777	2758	2798
SWL inlet L _{WA5}	dB(A)	79	77	77	76	77
SWL outlet L _{WA6}	dB(A)	82	80	80	81	82
SWL housing break out L _{WA2}	dB(A)	65	64	63	61	62

Sound power (L _W) dB(A)		Medium Frequency Band								
		Σ	63	125	250	500	1k	2k	4k	8k
Inlet	L _{WA5}	77	53	66	66	72	73	70	65	54
Outlet	L _{WA6}	80	52	65	67	74	77	73	66	57
Housing radiation	L _{WA2}	63	51	50	48	55	59	56	43	33

EM 280 E2M 01 130471	
Voltage U _N	230 V 1~
Current I _{max}	1,1 A
Ambient temperature t _A	60 °C
Conveyed medium temperature t _M	60 °C
Speed Control	3-2-1
Motor protection	TAI
Insulation class motor	F
Weight	7,7 kg
Number of poles	2
IP motor	IP00
IP terminal box	IP44
IP complete unit	IPX4
Min. operating temperature	-25 °C



1:5 A4 mm

ruck^{EU}
VENTILATOREN

ruck Ventilatoren
Max-Planck-Str. 5
D-97944 Boxberg

Protection Mark
according to ISO16016

Drawn: m.deissler
Created: m.deissler
Changed: d.andree

General tolerances
DIN ISO 2768-mK

27.06.14
27.06.14
25.03.15

EM280E2M01+

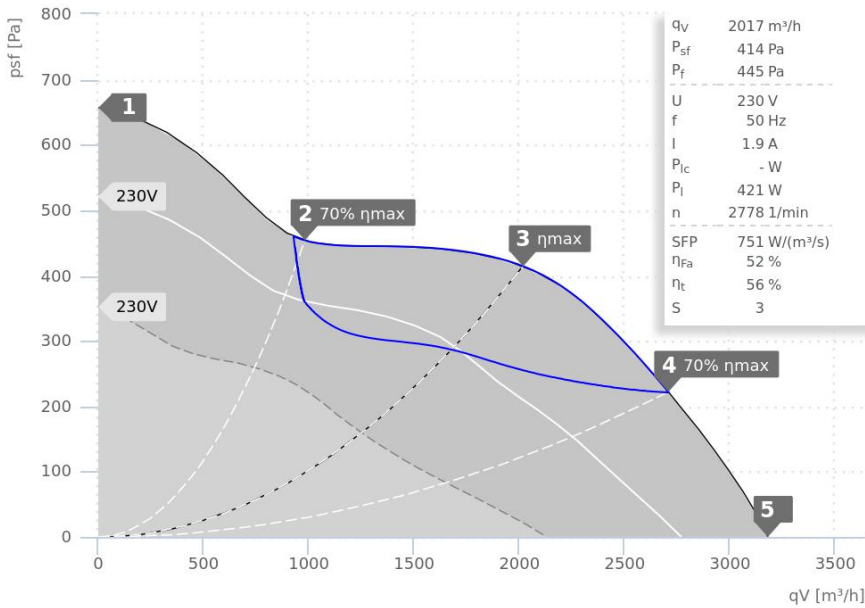
130471 01

VENTAS
VENTILATOREN

DATA SHEET

ruck.eu
VENTILATOREN

EM 315 E2M 01 | 130677



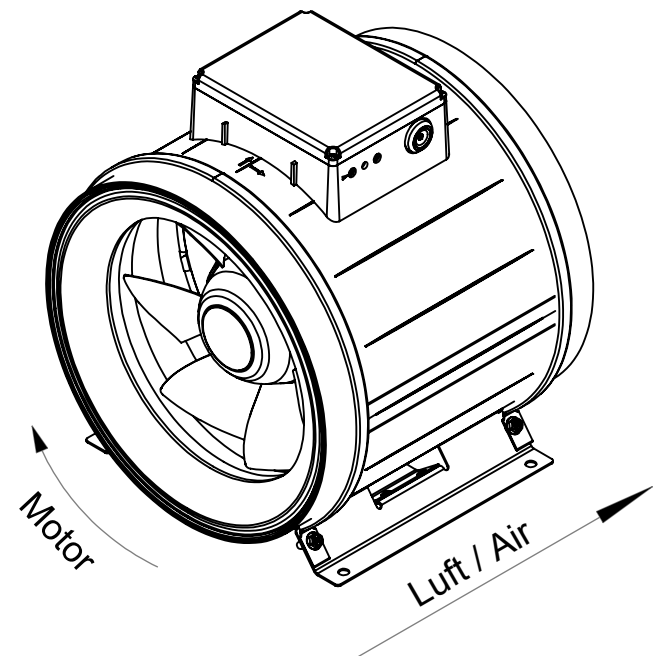
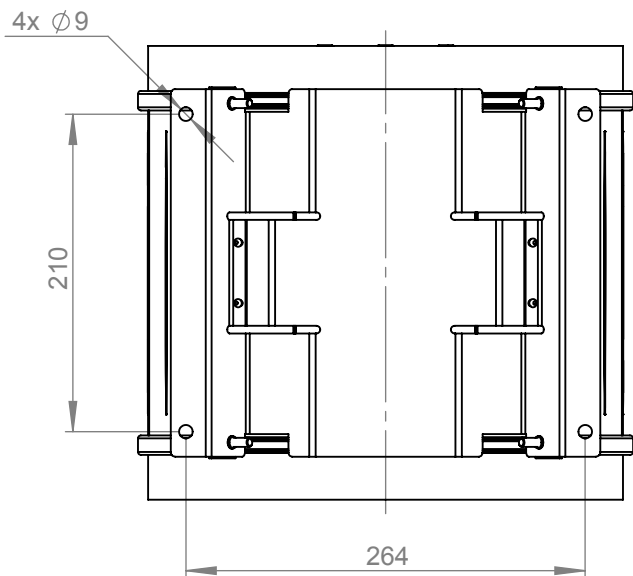
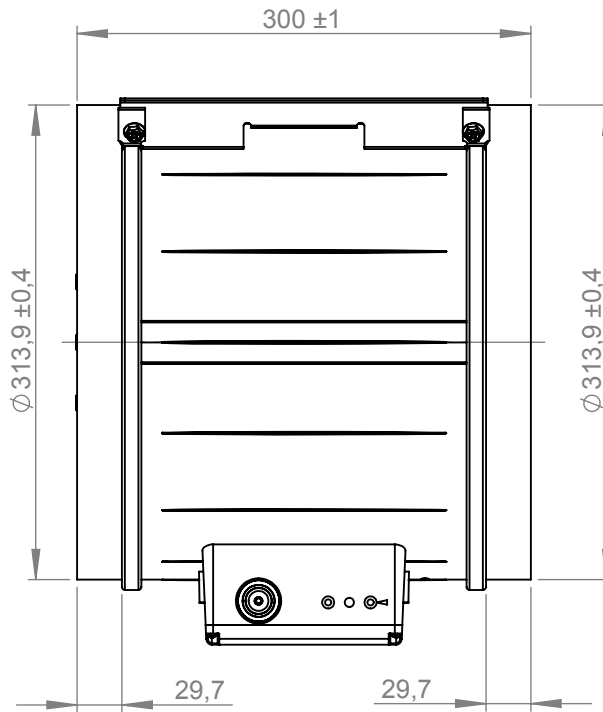
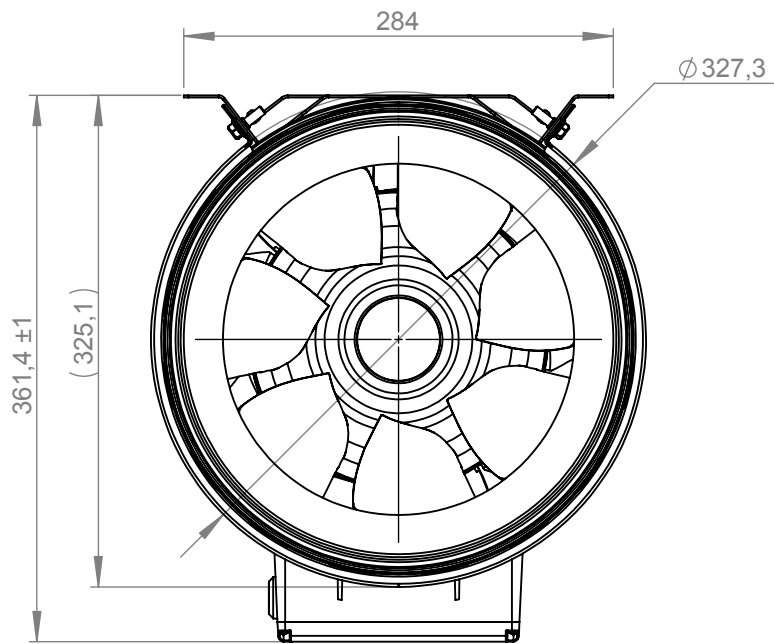
- Diagonal impeller with downstream three-dimensional guide vanes
- With plastic housing
- 3-step
- Integrated thermostatic switch
- Including mounting bracket

— ErP compliant range

Operating Point		1	2	3	4	5
Current I	A	1,6	1,5	1,9	1,9	1,8
Power consumption P_1	W	344	322	421	428	382
Rotation speed n	1/min	2838	2852	2778	2775	2813
SWL inlet L_{WA5}	dB(A)	83	81	82	80	81
SWL outlet L_{WA6}	dB(A)	87	85	84	83	85
SWL housing break out L_{WA2}	dB(A)	69	69	68	66	67

Sound power (L_W) dB(A)		Medium Frequency Band								
		Σ	63	125	250	500	1k	2k	4k	8k
Inlet	L_{WA5}	82	54	67	71	77	77	74	69	59
Outlet	L_{WA6}	84	54	67	73	79	80	76	70	60
Housing radiation	L_{WA2}	68	51	53	65	59	63	55	46	38

EM 315 E2M 01 130677	
Voltage U_N	230 V 1~
Current I_{max}	2,1 A
Ambient temperature t_A	55 °C
Conveyed medium temperature t_M	55 °C
Speed Control	3-2-1
Motor protection	TAI
Insulation class motor	F
Weight	12,4 kg
Number of poles	2
IP motor	IP00
IP terminal box	IP44
IP complete unit	IPX4
Min. operating temperature	-25 °C



1:5 A4 mm

ruck^{EU}
VENTILATOREN

ruck Ventilatoren
Max-Planck-Str. 5
D-97944 Boxberg

Protection Mark
according to ISO16016

Drawn: m.deissler
Created: m.deissler
Changed: d.andree

General tolerances
DIN ISO 2768-mK

14.08.14
14.08.14
27.02.15

EM315E2M01+

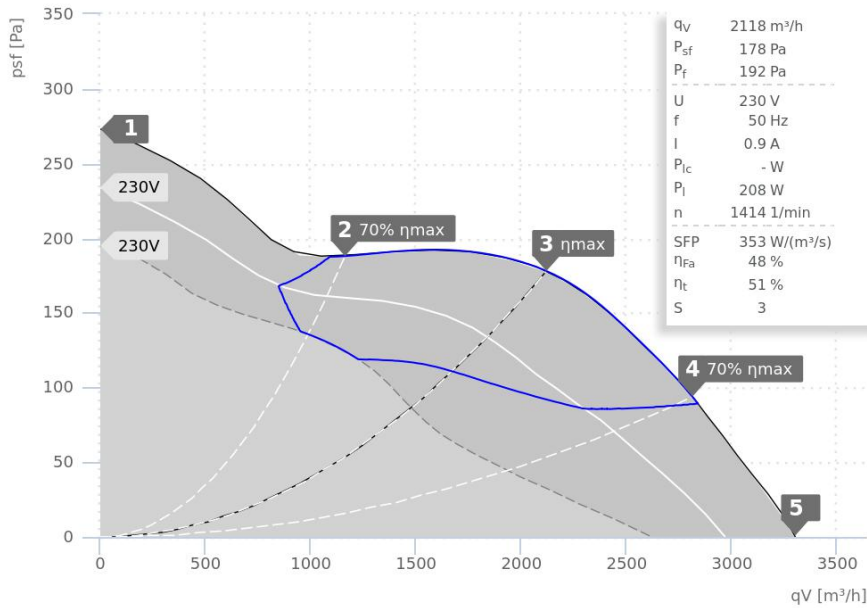
130677 01

VENTAS
VENTILATORER

DATA SHEET

ruck.eu
VENTILATOREN

EM 400 E4M 01 | 129165



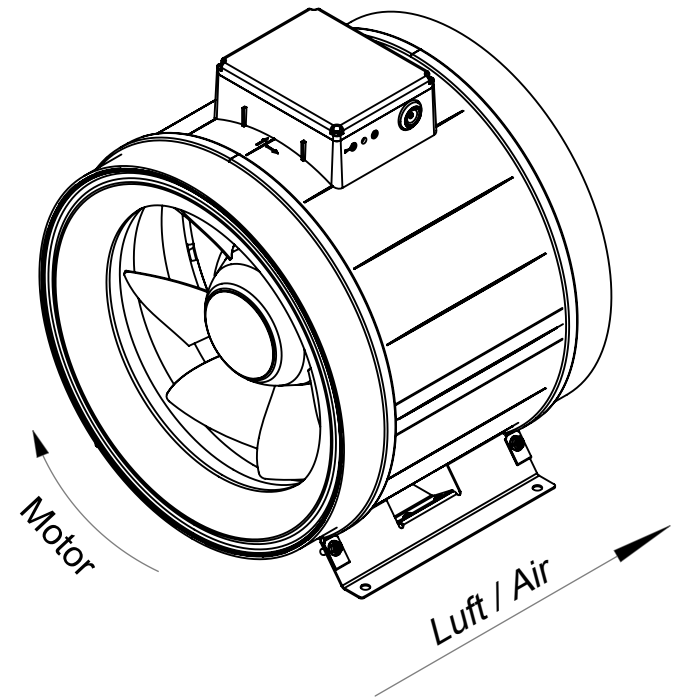
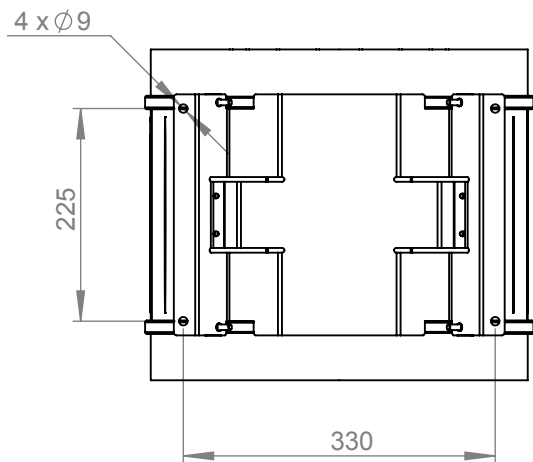
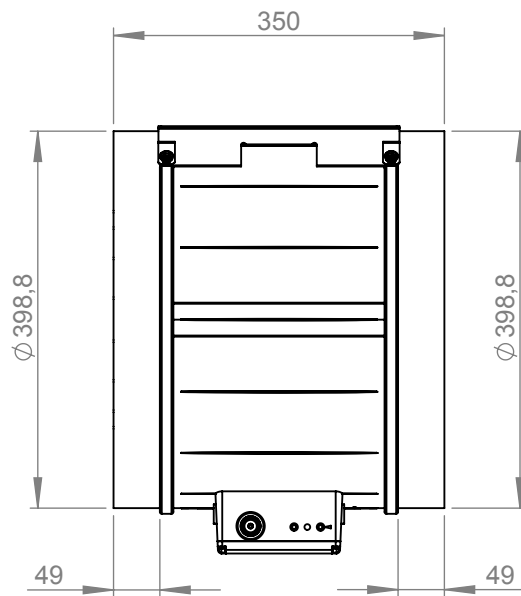
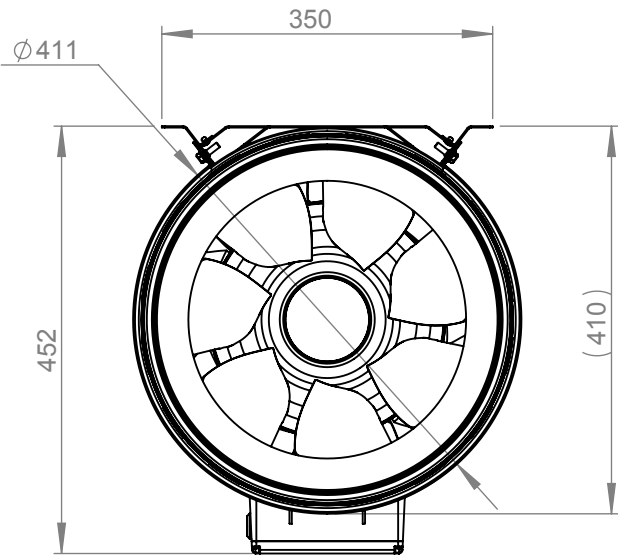
- Diagonal impeller with downstream three-dimensional guide vanes
- With plastic housing
- 3-step
- Integrated thermostatic switch
- Including mounting bracket

— ErP compliant range

Operating Point		1	2	3	4	5
Current I	A	0,8	0,8	0,9	0,9	0,9
Power consumption P _i	W	177	173	208	205	188
Rotation speed n	1/min	1436	1437	1414	1416	1426
SWL inlet L _{WA5}	dB(A)	74	70	71	70	72
SWL outlet L _{WA6}	dB(A)	78	74	75	73	75
SWL housing break out L _{WA2}	dB(A)	59	57	57	53	54

Sound power (L _w) dB(A)		Medium Frequency Band								
		Σ	63	125	250	500	1k	2k	4k	8k
Inlet	L _{WA5}	71	52	58	64	67	66	62	54	48
Outlet	L _{WA6}	75	51	59	66	71	71	63	56	50
Housing radiation	L _{WA2}	57	51	44	44	51	52	47	32	26

EM 400 E4M 01 129165	
Voltage U _N	230 V 1~
Current I _{max}	1,0 A
Ambient temperature t _A	60 °C
Conveyed medium temperature t _M	60 °C
Speed Control	3-2-1
Motor protection	TAI
Insulation class motor	F
Weight	15,7 kg
Number of poles	4
IP motor	IP00
IP terminal box	IP44
IP complete unit	IPX4
Min. operating temperature	-25 °C



ruck Ventilatoren
Max-Planck-Str. 5
D-97944 Boxberg



Protection Mark
according to ISO 16016

Drawn: h.ragowski
Created: m.deissler
Changed: d.andree

1:8 A4 mm

General tolerances
DIN ISO 2768-c

EM400E4M01+

129165 02

