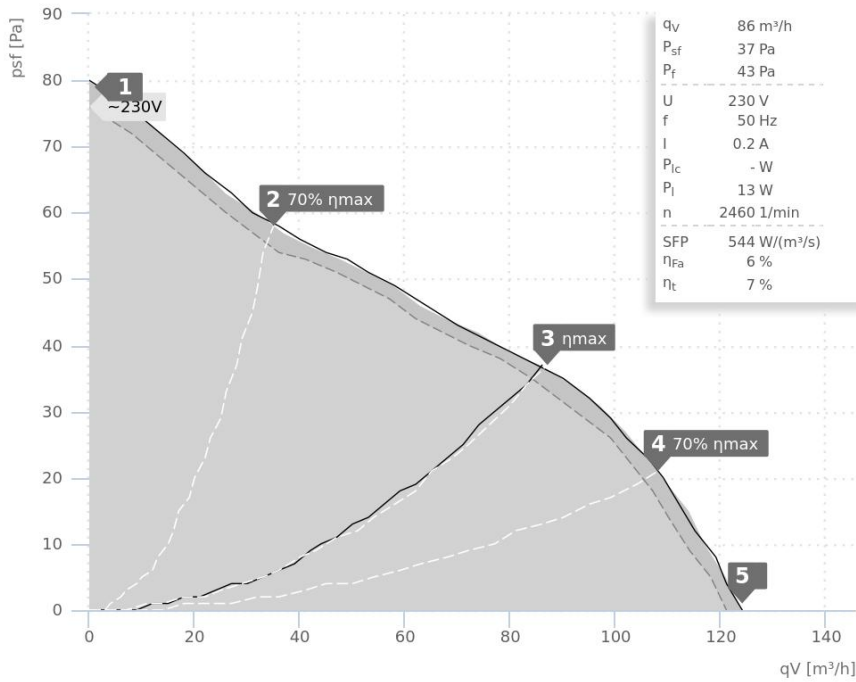


DATA SHEET

EM 100L E2 01 | 137668

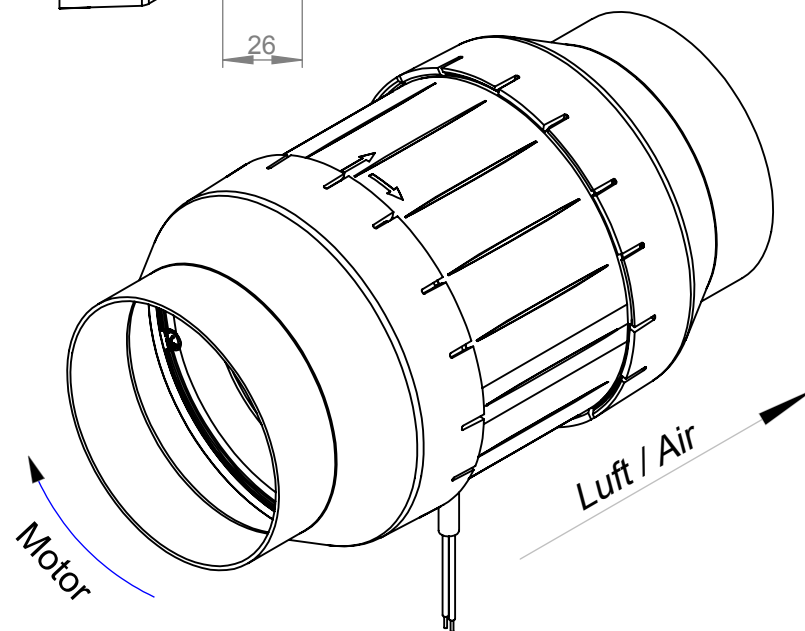
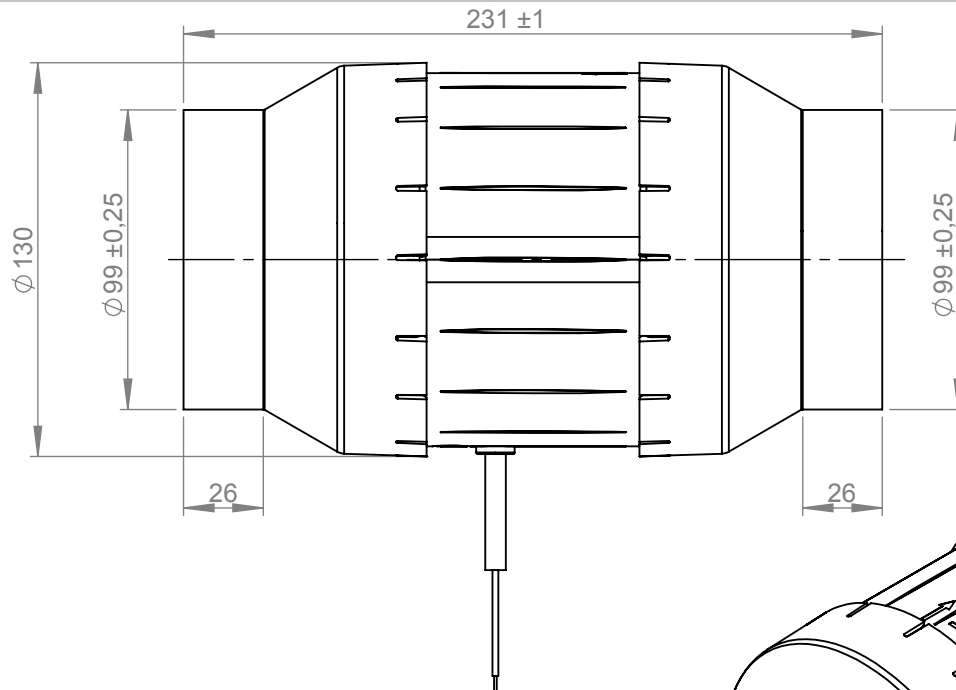
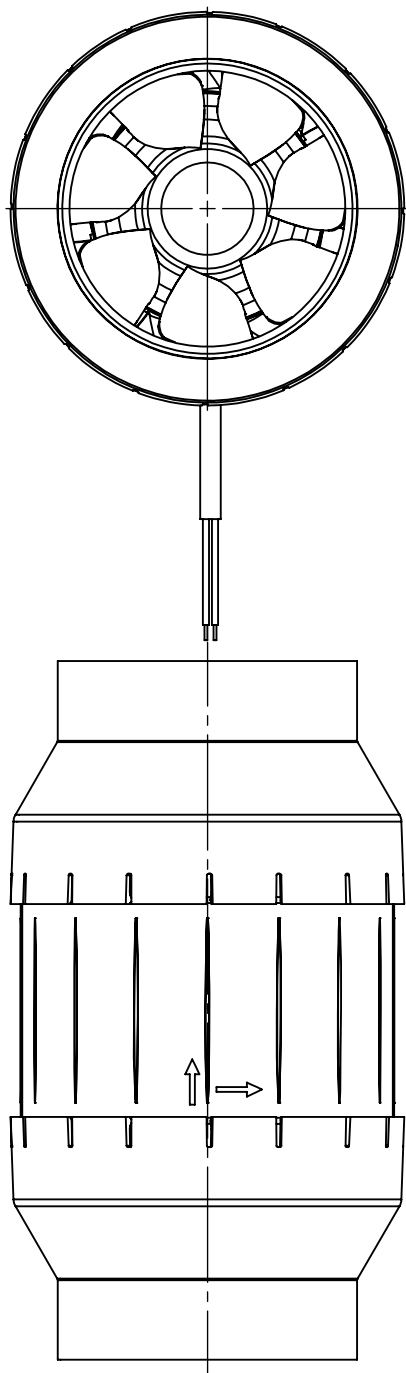


- Diagonal impeller with downstream three-dimensional guide vanes
- With plastic housing
- Integrated thermostatic switch

| Operating Point | | 1 | 2 | 3 | 4 | 5 |
|---------------------------------|-------|------|------|------|------|------|
| Current I | A | 0,2 | 0,2 | 0,2 | 0,2 | 0,2 |
| Power consumption P_i | W | 13 | 12 | 13 | 13 | 13 |
| Rotation speed n | 1/min | 2514 | 2556 | 2458 | 2421 | 2423 |
| SWL inlet L_{WA5} | dB(A) | 52 | 52 | 53 | 52 | 53 |
| SWL outlet L_{WA6} | dB(A) | 52 | 52 | 53 | 53 | 53 |
| SWL housing break out L_{WA2} | dB(A) | 49 | 50 | 52 | 52 | 53 |

| Sound power (L_W) dB(A) | | Medium Frequency Band | | | | | | | | |
|-----------------------------|-----------|-----------------------|----|-----|-----|-----|----|----|----|----|
| | | Σ | 63 | 125 | 250 | 500 | 1k | 2k | 4k | 8k |
| Inlet | L_{WA5} | 53 | 30 | 31 | 36 | 49 | 50 | 45 | 37 | 23 |
| Outlet | L_{WA6} | 53 | 18 | 32 | 40 | 48 | 49 | 46 | 39 | 25 |
| Housing radiation | L_{WA2} | 52 | 20 | 23 | 30 | 52 | 32 | 24 | 22 | - |

| EM 100L E2 01 137668 | |
|-----------------------------------|----------|
| Voltage U_N | 230 V 1~ |
| Current I_{max} | 0,2 A |
| Ambient temperature t_A | 60 °C |
| Conveyed medium temperature t_M | 60 °C |
| Speed Control | - |
| Motor protection | TAI |
| Insulation class motor | F |
| Weight | 0,8 kg |
| Number of poles | 2 |
| IP motor | IP00 |
| IP terminal box | - |
| IP complete unit | IPX2 |
| Min. operating temperature | -25 °C |



ruck^{eu}
VENTILATOREN
ruck Ventilatoren
Max-Planck-Str. 5
D-97944 Boxberg



1:2.5 A4 mm

Protection Mark
according to ISO16016

General tolerances
DIN ISO 2768-c

EM100LE201+

Created h.ragowski
Drawn h.ragowski
Released h.ragowski
Disabled

20.10.2016
20.10.2016
04.06.2019

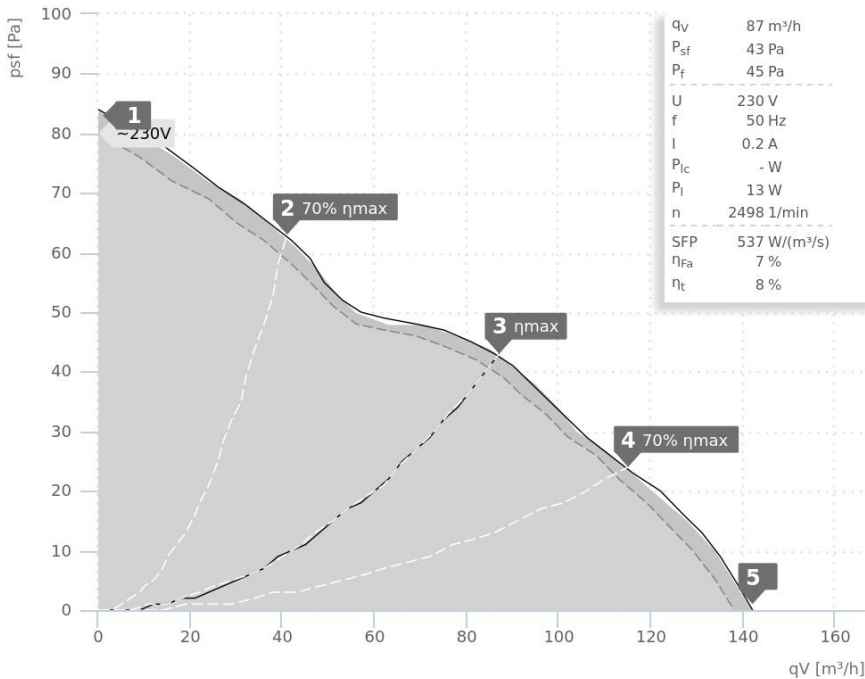
137668 00

VENTAS
VENTILATORER

DATA SHEET

ruck.eu
VENTILATOREN

EM 125 E2 01 | 137550

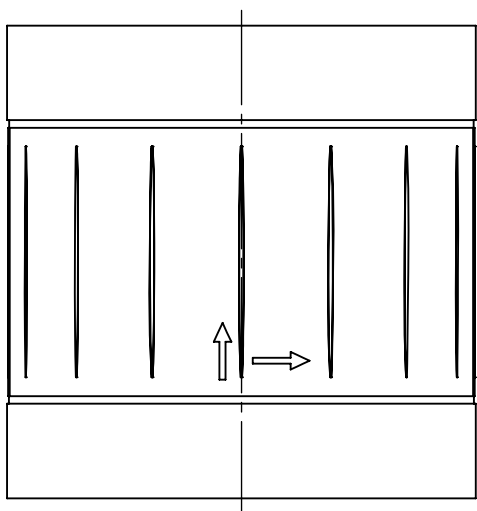
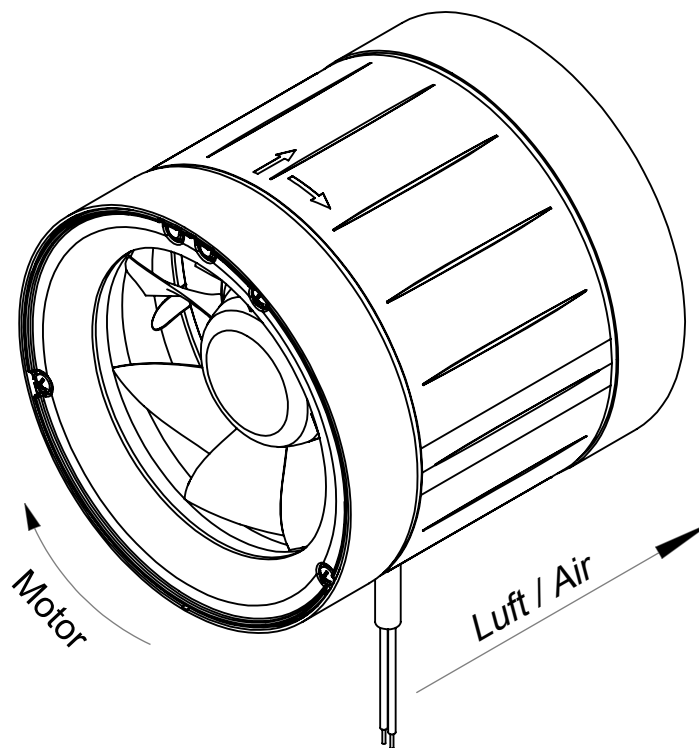
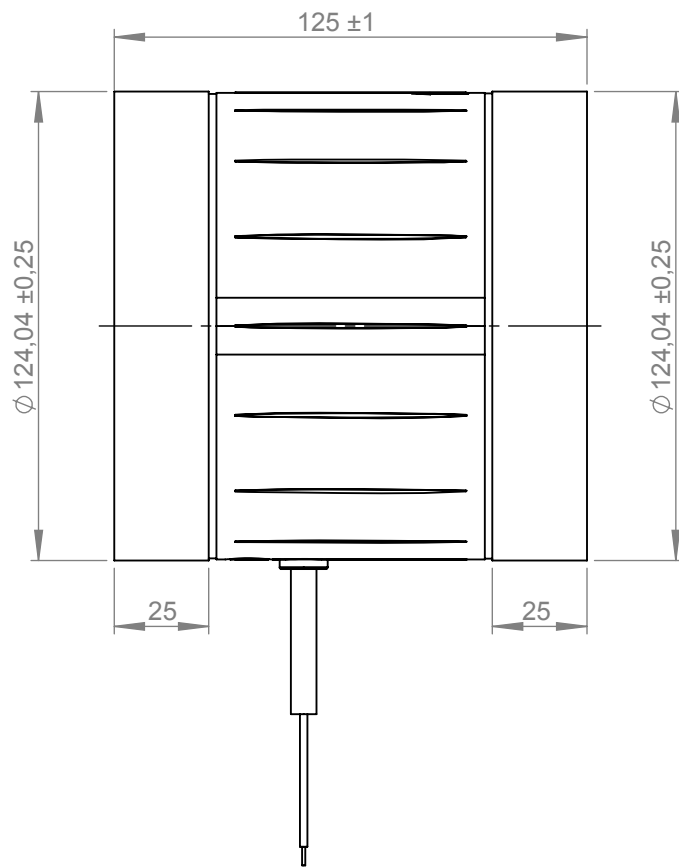
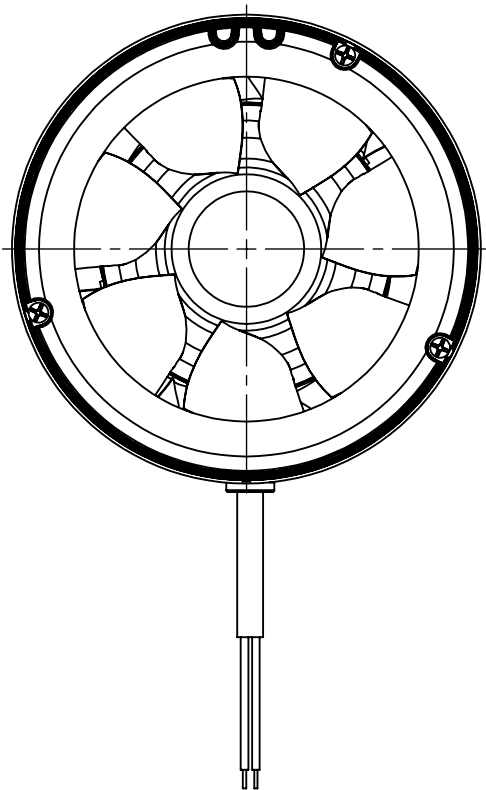


- Diagonal impeller with downstream three-dimensional guide vanes
- With plastic housing
- Integrated thermostatic switch

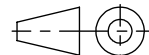
| Operating Point | | 1 | 2 | 3 | 4 | 5 |
|---------------------------------|-------|------|------|------|------|------|
| Current I | A | 0,2 | 0,2 | 0,2 | 0,2 | 0,2 |
| Power consumption P_1 | W | 13 | 13 | 13 | 14 | 14 |
| Rotation speed n | 1/min | 2485 | 2532 | 2498 | 2458 | 2484 |
| SWL inlet L_{WA5} | dB(A) | 52 | 53 | 49 | 51 | 51 |
| SWL outlet L_{WA6} | dB(A) | 53 | 54 | 52 | 52 | 53 |
| SWL housing break out L_{WA2} | dB(A) | 49 | 48 | 50 | 50 | 49 |

| Sound power (L_W) dB(A) | | Medium Frequency Band | | | | | | | | |
|-----------------------------|-----------|-----------------------|----|-----|-----|-----|----|----|----|----|
| | | Σ | 63 | 125 | 250 | 500 | 1k | 2k | 4k | 8k |
| Inlet | L_{WA5} | 49 | 30 | 28 | 35 | 43 | 44 | 43 | 41 | 30 |
| Outlet | L_{WA6} | 52 | 33 | 32 | 36 | 44 | 44 | 47 | 44 | 28 |
| Housing radiation | L_{WA2} | 50 | 30 | 29 | 34 | 49 | 35 | 32 | 23 | 13 |

| EM 125 E2 01 137550 | |
|-----------------------------------|----------|
| Voltage U_N | 230 V 1~ |
| Current I_{max} | 0,2 A |
| Ambient temperature t_A | 60 °C |
| Conveyed medium temperature t_M | 60 °C |
| Speed Control | - |
| Motor protection | TAI |
| Insulation class motor | F |
| Weight | 0,7 kg |
| Number of poles | 2 |
| IP motor | IP00 |
| IP terminal box | - |
| IP complete unit | IPX2 |
| Min. operating temperature | -25 °C |



ruck Ventilatoren
Max-Planck-Str. 5
D-97944 Boxberg



1:2 A4 mm

Protection Mark
according to ISO16016

General tolerances
DIN ISO 2768-c

EM125E201+

Drawn: h.ragowski
Created: h.ragowski
Changed: h.ragowski

19.09.2016
19.09.2016
30.09.16

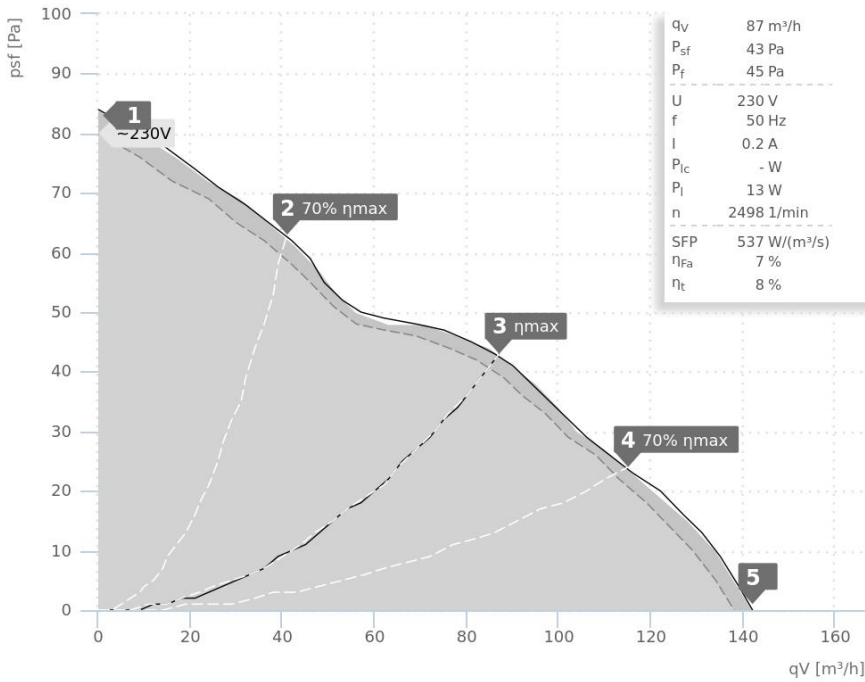
137550 00



DATA SHEET

ruck.eu
VENTILATOREN

EM 125 E2 02 | 136068

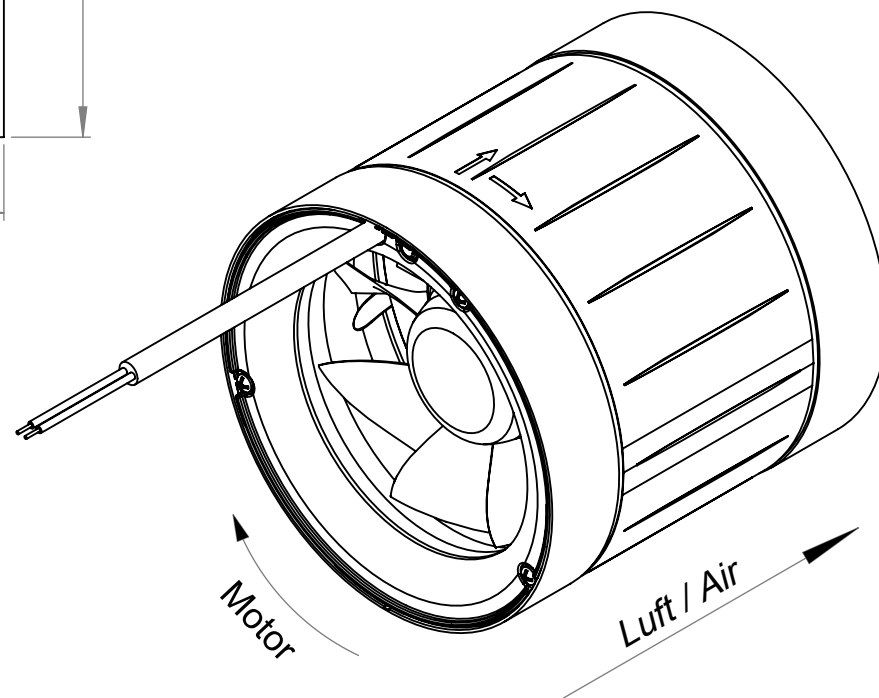
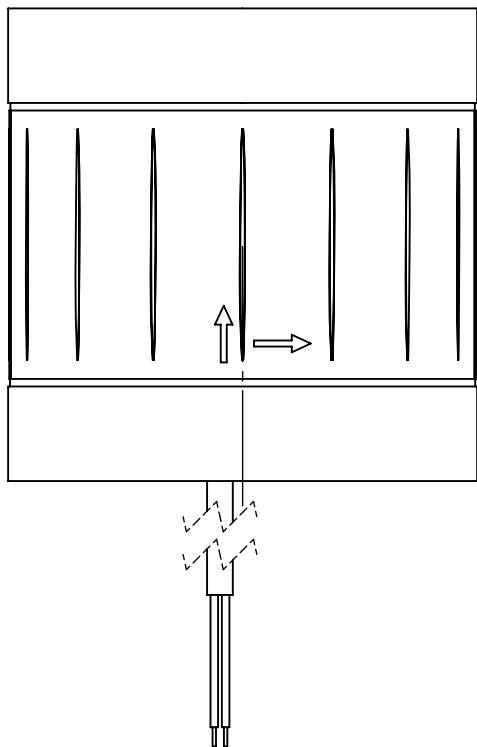
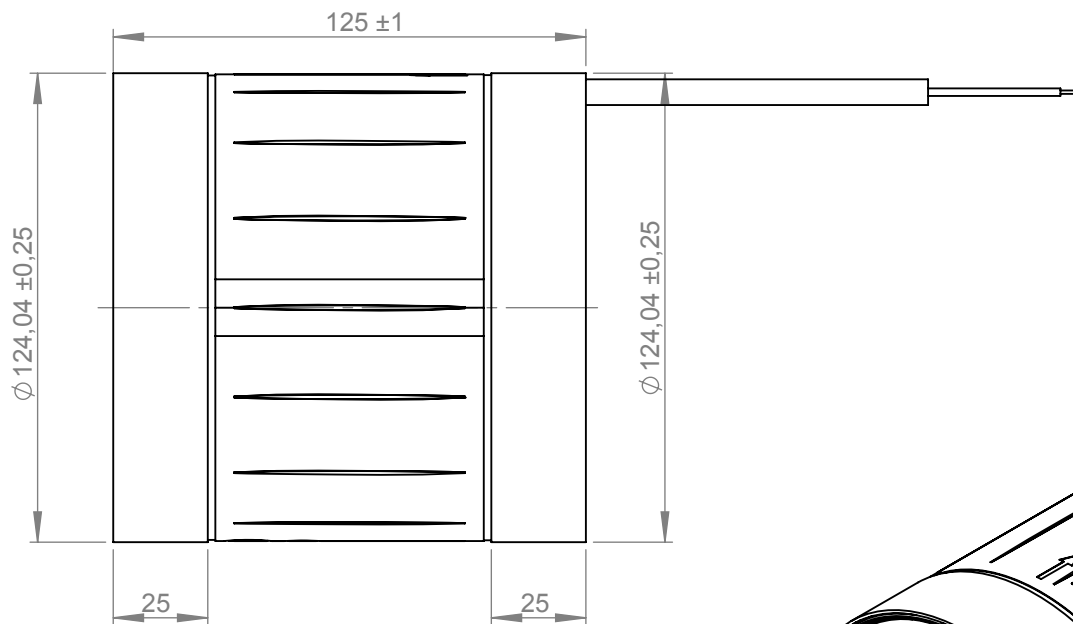
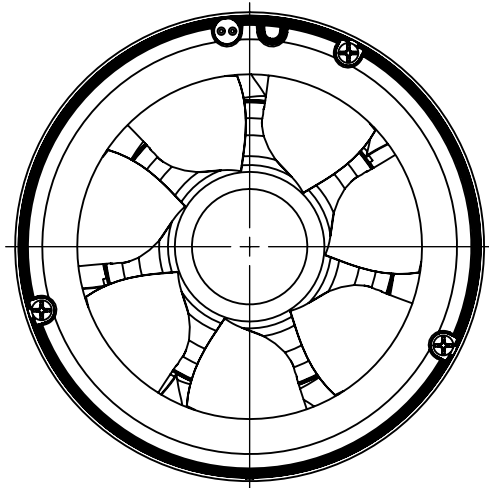


- Diagonal impeller with downstream three-dimensional guide vanes
- With plastic housing
- Integrated thermostatic switch
- For tube insertion

| Operating Point | | 1 | 2 | 3 | 4 | 5 |
|---------------------------------|-------|------|------|------|------|------|
| Current I | A | 0,2 | 0,2 | 0,2 | 0,2 | 0,2 |
| Power consumption P_1 | W | 13 | 13 | 13 | 14 | 14 |
| Rotation speed n | 1/min | 2485 | 2532 | 2498 | 2458 | 2484 |
| SWL inlet L_{WA5} | dB(A) | 52 | 53 | 49 | 51 | 51 |
| SWL outlet L_{WA6} | dB(A) | 53 | 54 | 52 | 52 | 53 |
| SWL housing break out L_{WA2} | dB(A) | 49 | 48 | 50 | 50 | 49 |

| Sound power (L_W) dB(A) | | Medium Frequency Band | | | | | | | | |
|-----------------------------|-----------|-----------------------|----|-----|-----|-----|----|----|----|----|
| | | Σ | 63 | 125 | 250 | 500 | 1k | 2k | 4k | 8k |
| Inlet | L_{WA5} | 49 | 30 | 28 | 35 | 43 | 44 | 43 | 41 | 30 |
| Outlet | L_{WA6} | 52 | 33 | 32 | 36 | 44 | 44 | 47 | 44 | 28 |
| Housing radiation | L_{WA2} | 50 | 30 | 29 | 34 | 49 | 35 | 32 | 23 | 13 |

| EM 125 E2 02 136068 | |
|-----------------------------------|----------|
| Voltage U_N | 230 V 1~ |
| Current I_{max} | 0,2 A |
| Ambient temperature t_A | 60 °C |
| Conveyed medium temperature t_M | 60 °C |
| Speed Control | - |
| Motor protection | TAI |
| Insulation class motor | F |
| Weight | 0,7 kg |
| Number of poles | 2 |
| IP motor | IP00 |
| IP terminal box | - |
| IP complete unit | IPX2 |
| Min. operating temperature | -25 °C |



1:2 A4 mm

ruck^{EU}
VENTILATOREN

ruck Ventilatoren
Max-Planck-Str. 5
D-97944 Boxberg

Protection Mark
according to ISO16016

Drawn: b.cormos
Created: b.cormos
Changed: h.ragowski

General tolerances
DIN ISO 2768-c

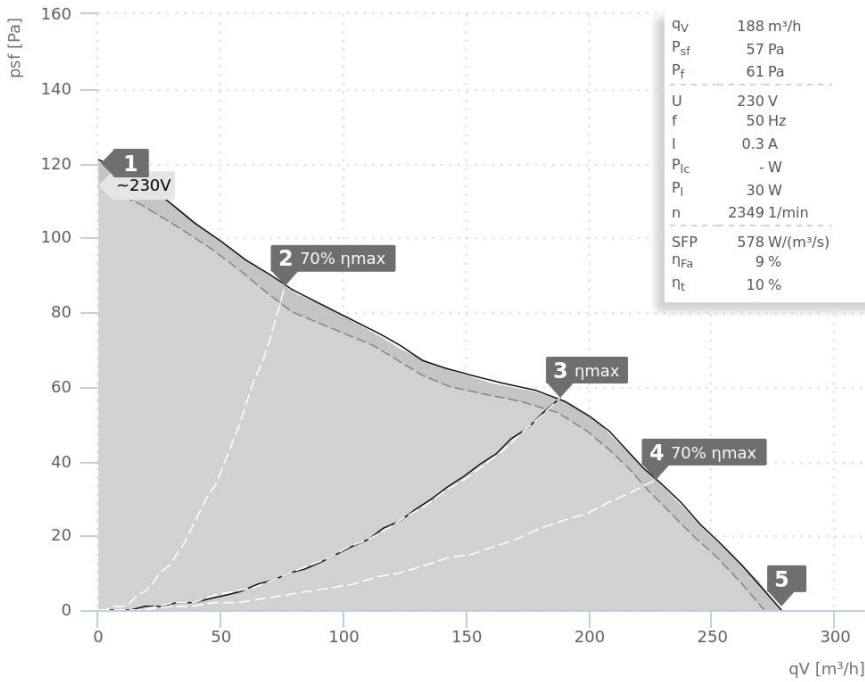
12.02.16
20.01.16
19.09.16

EM125E202

136068 00

DATA SHEET

EM 125L E2 01 | 137670

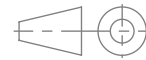
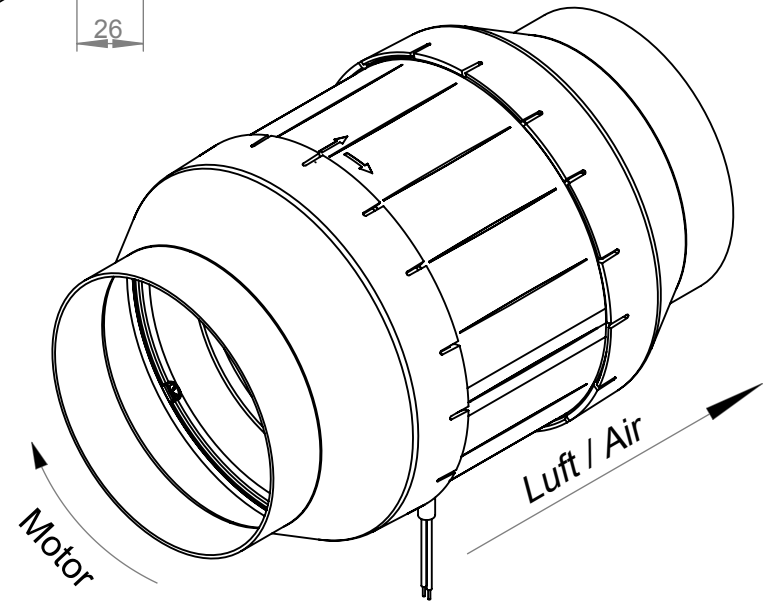
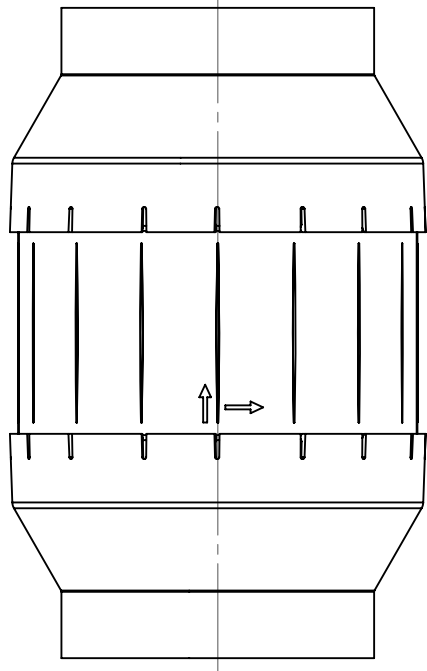
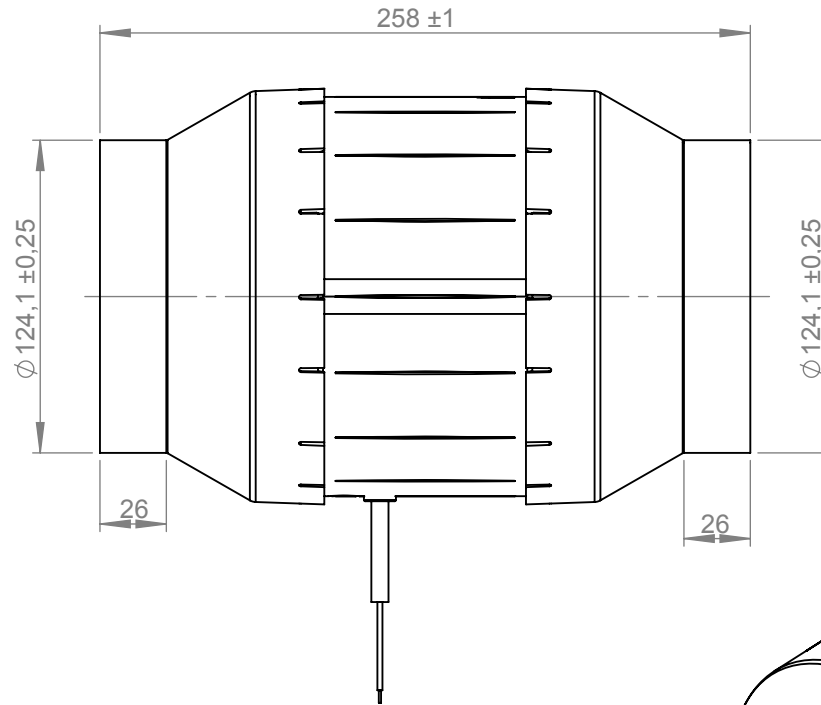
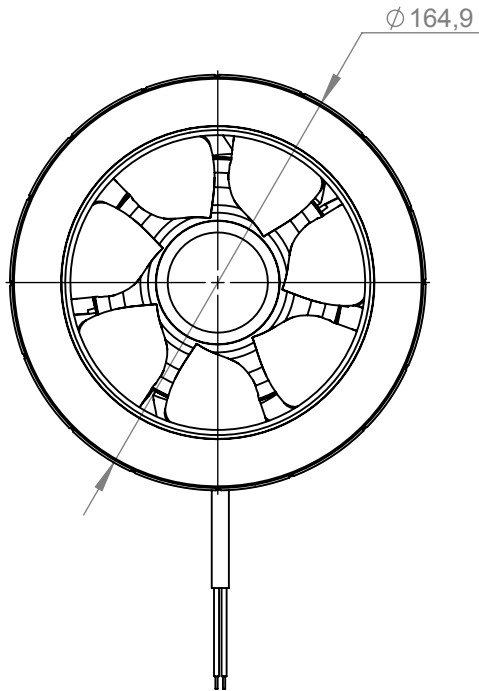


- Diagonal impeller with downstream three-dimensional guide vanes
- With plastic housing
- Integrated thermostatic switch

| Operating Point | | 1 | 2 | 3 | 4 | 5 |
|---------------------------------|-------|------|------|------|------|------|
| Current I | A | 0,3 | 0,3 | 0,3 | 0,3 | 0,3 |
| Power consumption P_i | W | 28 | 27 | 30 | 31 | 31 |
| Rotation speed n | 1/min | 2431 | 2494 | 2349 | 2317 | 2339 |
| SWL inlet L_{WA5} | dB(A) | 57 | 56 | 58 | 58 | 58 |
| SWL outlet L_{WA6} | dB(A) | 58 | 56 | 58 | 58 | 60 |
| SWL housing break out L_{WA2} | dB(A) | 45 | 45 | 44 | 45 | 46 |

| Sound power (L_W) dB(A) | | Medium Frequency Band | | | | | | | | |
|-----------------------------|-----------|-----------------------|----|-----|-----|-----|----|----|----|----|
| | | Σ | 63 | 125 | 250 | 500 | 1k | 2k | 4k | 8k |
| Inlet | L_{WA5} | 58 | 29 | 36 | 47 | 53 | 54 | 51 | 43 | 33 |
| Outlet | L_{WA6} | 58 | 25 | 38 | 47 | 53 | 53 | 51 | 47 | 34 |
| Housing radiation | L_{WA2} | 44 | 31 | 26 | 35 | 41 | 35 | 37 | 30 | 16 |

| EM 125L E2 01 137670 | |
|-----------------------------------|----------|
| Voltage U_N | 230 V 1~ |
| Current I_{max} | 0,3 A |
| Ambient temperature t_A | 40 °C |
| Conveyed medium temperature t_M | 40 °C |
| Speed Control | - |
| Motor protection | TAI |
| Insulation class motor | F |
| Weight | 1,2 kg |
| Number of poles | - |
| IP motor | IP00 |
| IP terminal box | - |
| IP complete unit | IPX2 |
| Min. operating temperature | -25 °C |



1:3 A4 mm

ruck^{EU}
VENTILATOREN

ruck Ventilatoren
Max-Planck-Str. 5
D-97944 Boxberg

Protection Mark
according to ISO16016

Drawn: h.ragowski
Created: h.ragowski
Changed: h.ragowski

General tolerances
DIN ISO 2768-c

20.10.16
20.10.16
20.10.16

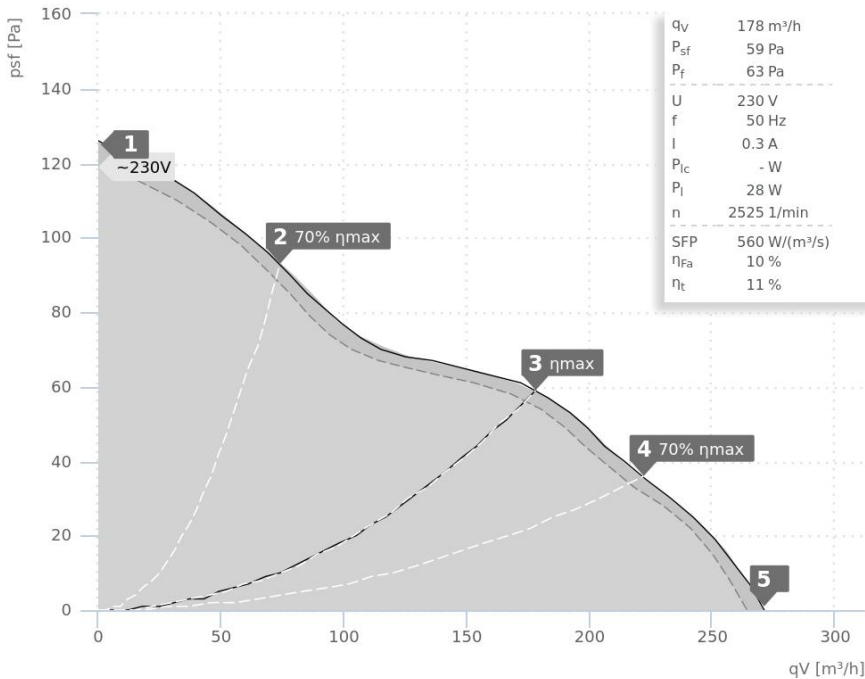
EM125LE201

137670 00

VENTAS
VENTILATORER

DATA SHEET

EM 150 E2 01 | 137588

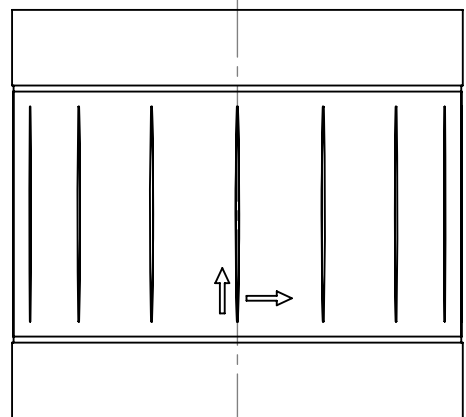
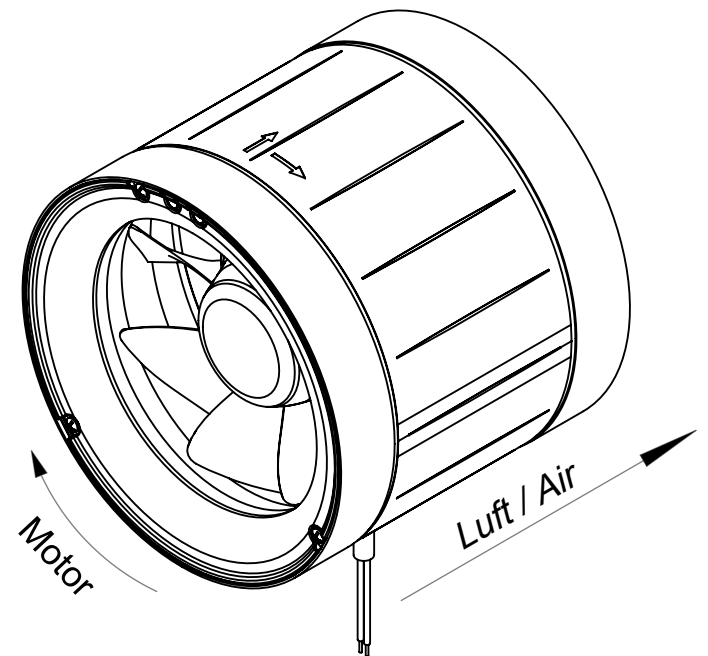
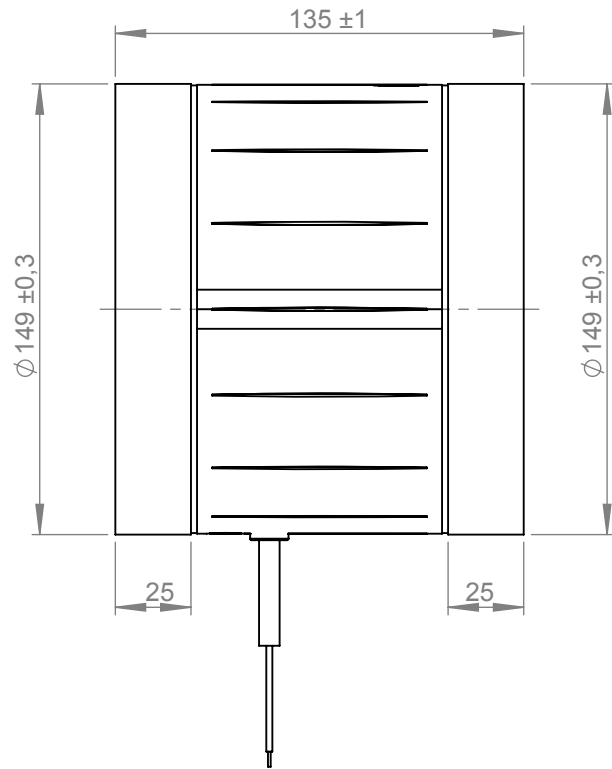
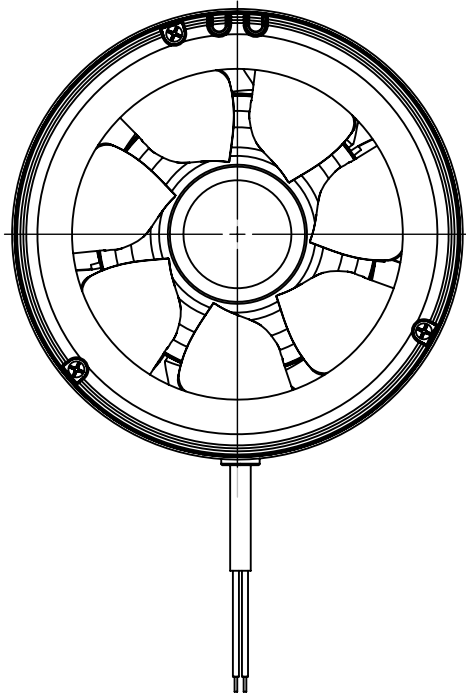


- Diagonal impeller with downstream three-dimensional guide vanes
- With plastic housing
- Integrated thermostatic switch

| Operating Point | | 1 | 2 | 3 | 4 | 5 |
|--|-------|------|------|------|------|------|
| Current I | A | 0,3 | 0,3 | 0,3 | 0,3 | 0,3 |
| Power consumption P _i | W | 27 | 26 | 28 | 29 | 28 |
| Rotation speed n | 1/min | 2539 | 2583 | 2525 | 2520 | 2551 |
| SWL inlet L _{WA5} | dB(A) | 57 | 56 | 56 | 57 | 59 |
| SWL outlet L _{WA6} | dB(A) | 60 | 58 | 59 | 60 | 61 |
| SWL housing break out L _{WA2} | dB(A) | 52 | 51 | 51 | 52 | 53 |

| Sound power (L _W) dB(A) | | Medium Frequency Band | | | | | | | | |
|-------------------------------------|------------------|-----------------------|----|-----|-----|-----|----|----|----|----|
| | | Σ | 63 | 125 | 250 | 500 | 1k | 2k | 4k | 8k |
| Inlet | L _{WA5} | 56 | 27 | 43 | 47 | 50 | 52 | 50 | 45 | 32 |
| Outlet | L _{WA6} | 59 | 28 | 37 | 46 | 52 | 54 | 55 | 51 | 35 |
| Housing radiation | L _{WA2} | 51 | 30 | 38 | 36 | 50 | 43 | 31 | 27 | 11 |

| EM 150 E2 01 137588 | |
|--|----------|
| Voltage U _N | 230 V 1~ |
| Current I _{max} | 0,3 A |
| Ambient temperature t _A | 40 °C |
| Conveyed medium temperature t _M | 40 °C |
| Speed Control | - |
| Motor protection | TAI |
| Insulation class motor | F |
| Weight | 1,0 kg |
| Number of poles | 2 |
| IP motor | IP00 |
| IP terminal box | - |
| IP complete unit | IPX2 |
| Min. operating temperature | -25 °C |



1:2.5 A4 mm

ruck^{EU}
VENTILATOREN

ruck Ventilatoren
Max-Planck-Str. 5
D-97944 Boxberg

Protection Mark
according to ISO16016

Drawn: h.ragowski
Created: h.ragowski
Changed: h.ragowski

General tolerances
DIN ISO 2768-c

29.09.16
29.09.16
06.12.16

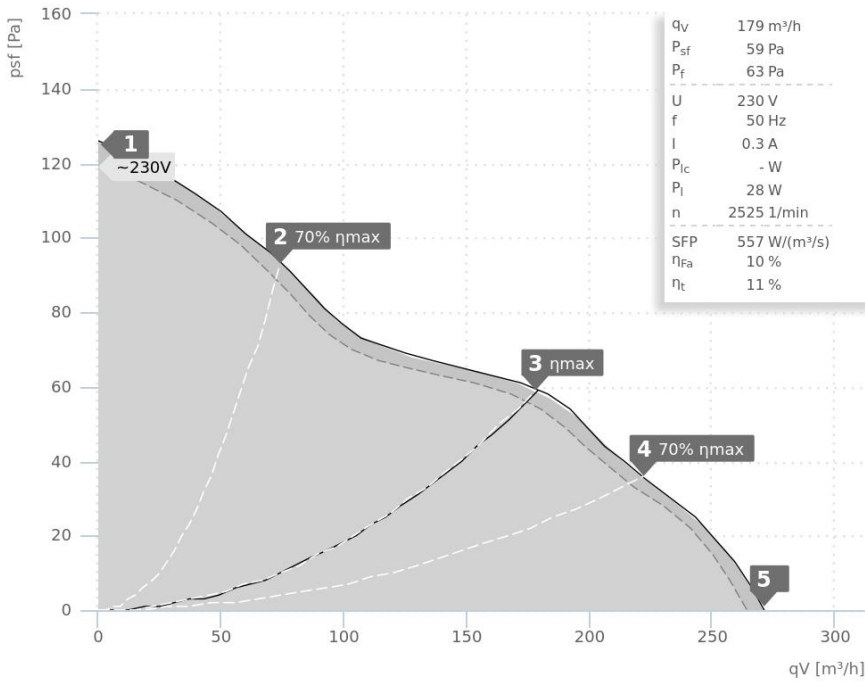
EM150E201+

137588 00

VENTAS
VENTILATOREN

DATA SHEET

EM 150 E2 02 | 136417

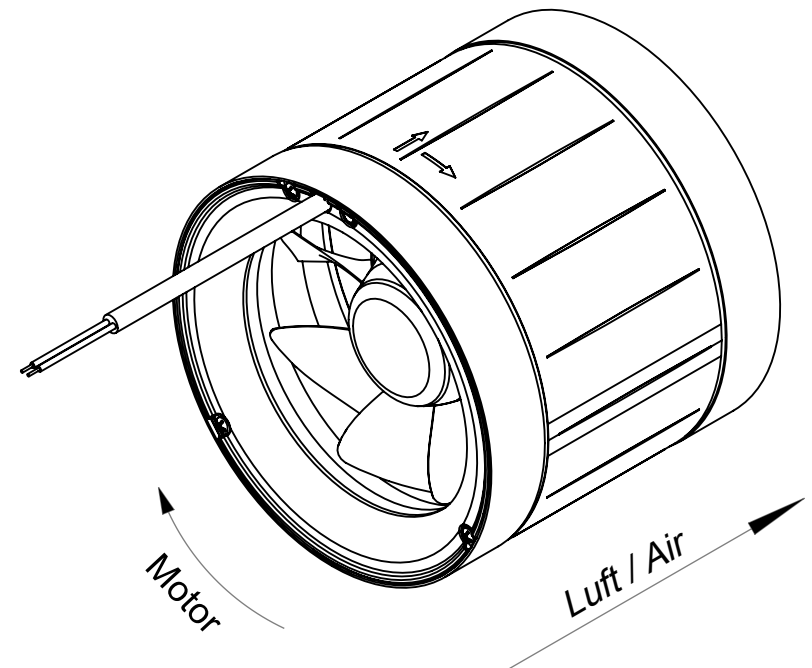
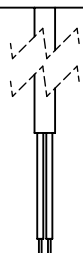
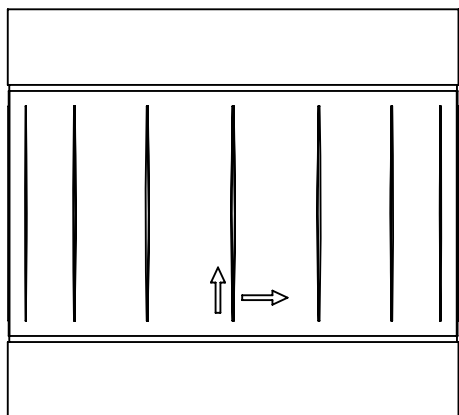
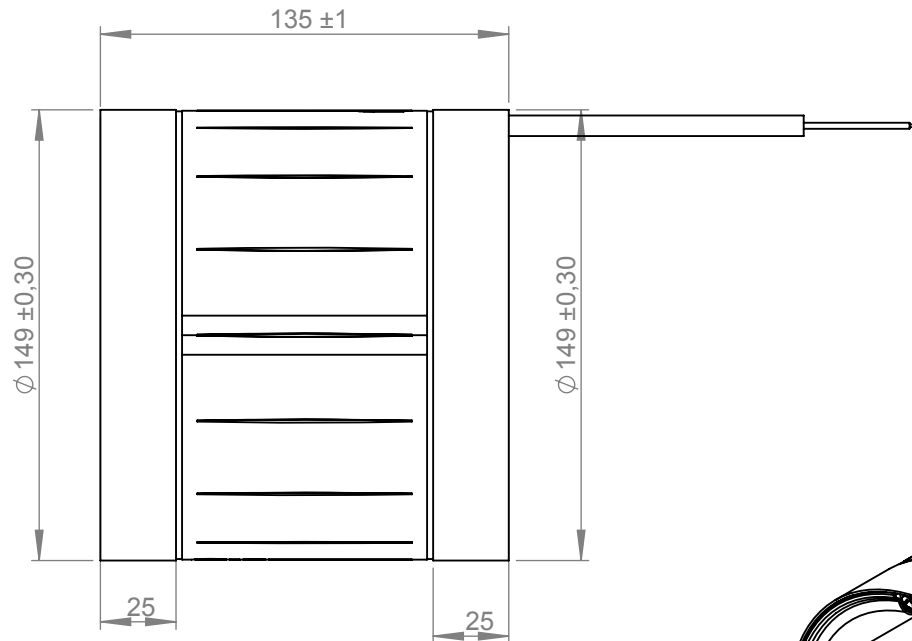
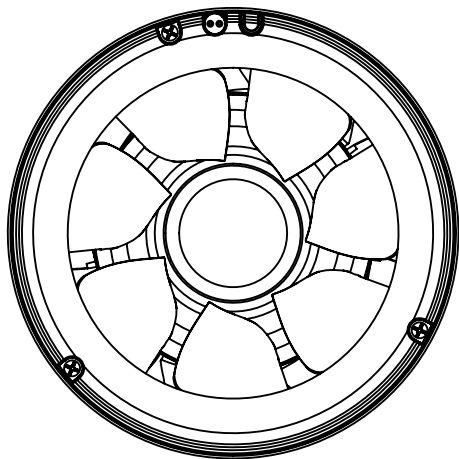


- Diagonal impeller with downstream three-dimensional guide vanes
- With plastic housing
- Integrated thermostatic switch
- For tube insertion

| Operating Point | | 1 | 2 | 3 | 4 | 5 |
|---------------------------------|-------|------|------|------|------|------|
| Current I | A | 0,3 | 0,3 | 0,3 | 0,3 | 0,3 |
| Power consumption P_i | W | 27 | 26 | 28 | 29 | 28 |
| Rotation speed n | 1/min | 2539 | 2583 | 2525 | 2520 | 2551 |
| SWL inlet L_{WA5} | dB(A) | 57 | 56 | 56 | 57 | 59 |
| SWL outlet L_{WA6} | dB(A) | 60 | 58 | 59 | 60 | 61 |
| SWL housing break out L_{WA2} | dB(A) | 52 | 51 | 51 | 52 | 53 |

| Sound power (L_W) dB(A) | | Medium Frequency Band | | | | | | | | |
|-----------------------------|-----------|-----------------------|----|-----|-----|-----|----|----|----|----|
| | | Σ | 63 | 125 | 250 | 500 | 1k | 2k | 4k | 8k |
| Inlet | L_{WA5} | 57 | 28 | 43 | 47 | 50 | 52 | 50 | 44 | 31 |
| Outlet | L_{WA6} | 60 | 28 | 38 | 46 | 52 | 54 | 55 | 51 | 35 |
| Housing radiation | L_{WA2} | 52 | 30 | 38 | 36 | 50 | 43 | 31 | 27 | 11 |

| EM 150 E2 02 136417 | |
|-----------------------------------|----------|
| Voltage U_N | 230 V 1~ |
| Current I_{max} | 0,3 A |
| Ambient temperature t_A | 40 °C |
| Conveyed medium temperature t_M | 40 °C |
| Speed Control | - |
| Motor protection | TAI |
| Insulation class motor | F |
| Weight | 1,0 kg |
| Number of poles | 2 |
| IP motor | IP00 |
| IP terminal box | - |
| IP complete unit | IPX2 |
| Min. operating temperature | -25 °C |



1:2.5 A4 mm



ruck Ventilatoren
Max-Planck-Str. 5
D-97944 Boxberg

Protection Mark
according to ISO16016

General tolerances
DIN ISO 2768-c

EM150E202+

Drawn: b.cormos
Created: b.cormos
Changed: h.ragowski

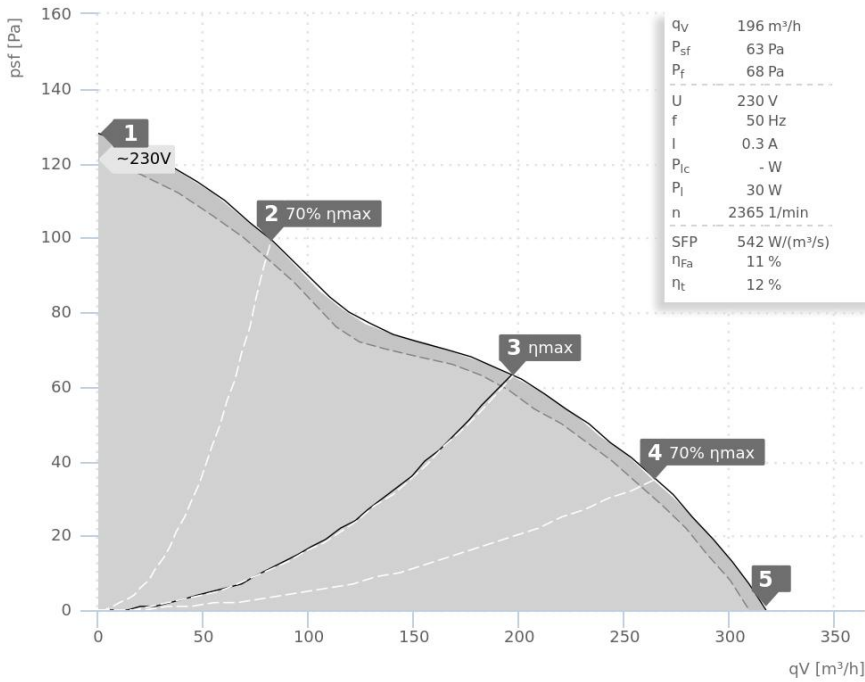
25.02.16
25.02.16
06.12.16

136417 00



DATA SHEET

EM 160 E2 01 | 137612

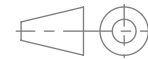
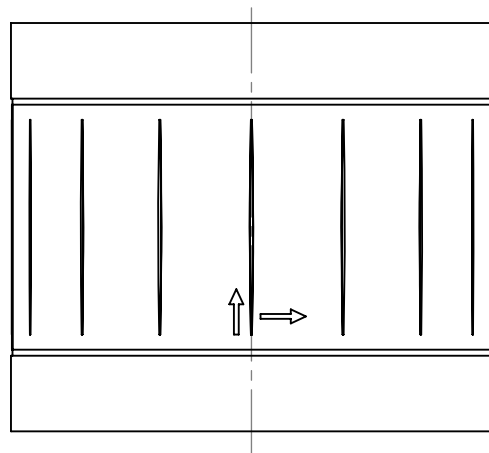
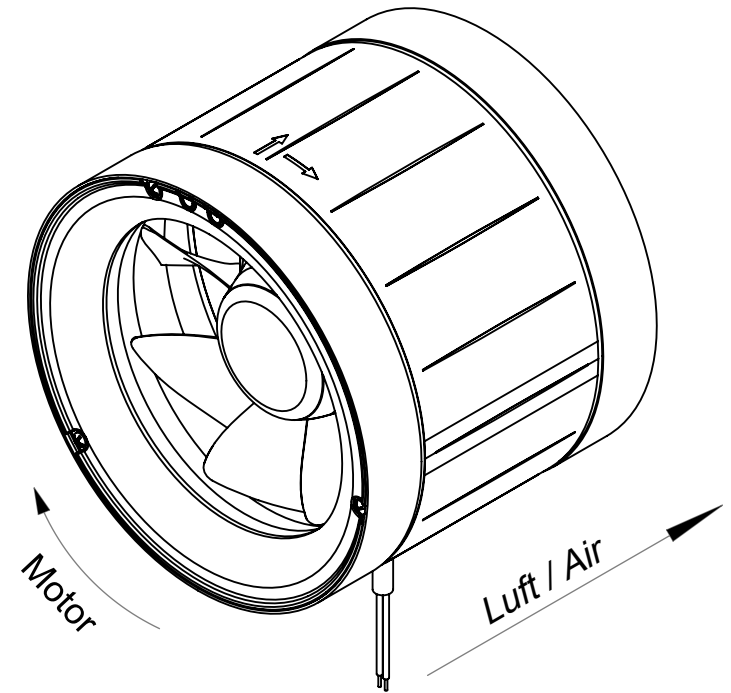
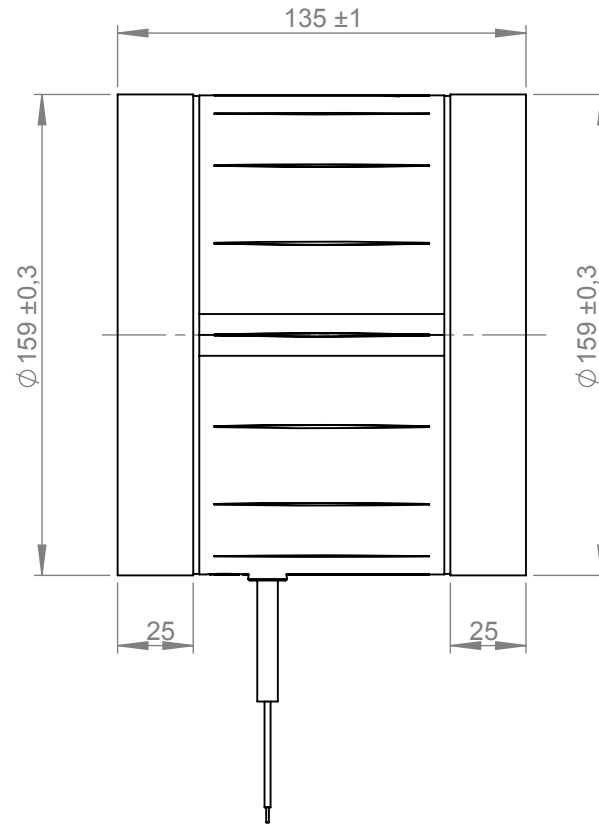
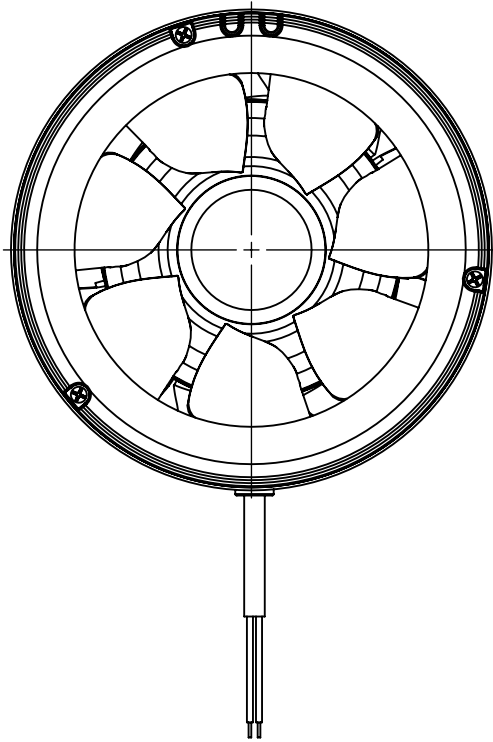


- Diagonal impeller with downstream three-dimensional guide vanes
- With plastic housing
- Integrated thermostatic switch

| Operating Point | | 1 | 2 | 3 | 4 | 5 |
|---------------------------------|-------|------|------|------|------|------|
| Current I | A | 0,3 | 0,3 | 0,3 | 0,3 | 0,3 |
| Power consumption P_i | W | 29 | 28 | 30 | 31 | 30 |
| Rotation speed n | 1/min | 2389 | 2432 | 2364 | 2329 | 2385 |
| SWL inlet L_{WA5} | dB(A) | 56 | 56 | 56 | 54 | 56 |
| SWL outlet L_{WA6} | dB(A) | 61 | 60 | 60 | 59 | 61 |
| SWL housing break out L_{WA2} | dB(A) | 51 | 50 | 50 | 49 | 51 |

| Sound power (L_W) dB(A) | | Medium Frequency Band | | | | | | | | |
|-----------------------------|-----------|-----------------------|----|-----|-----|-----|----|----|----|----|
| | | Σ | 63 | 125 | 250 | 500 | 1k | 2k | 4k | 8k |
| Inlet | L_{WA5} | 56 | 26 | 39 | 47 | 49 | 50 | 50 | 45 | 34 |
| Outlet | L_{WA6} | 60 | 32 | 44 | 47 | 52 | 55 | 56 | 51 | 37 |
| Housing radiation | L_{WA2} | 50 | 28 | 37 | 44 | 47 | 34 | 34 | 30 | 18 |

| EM 160 E2 01 137612 | |
|-----------------------------------|----------|
| Voltage U_N | 230 V 1~ |
| Current I_{max} | 0,3 A |
| Ambient temperature t_A | 40 °C |
| Conveyed medium temperature t_M | 40 °C |
| Speed Control | - |
| Motor protection | TAI |
| Insulation class motor | F |
| Weight | 1,0 kg |
| Number of poles | - |
| IP motor | IP00 |
| IP terminal box | - |
| IP complete unit | IPX2 |
| Min. operating temperature | -25 °C |



1:2.5 A4 mm

ruck^{EU}
VENTILATOREN

ruck Ventilatoren
Max-Planck-Str. 5
D-97944 Boxberg

Protection Mark
according to ISO16016

Drawn: h.ragowski
Created: h.ragowski
Changed: h.ragowski

General tolerances
DIN ISO 2768-c

30.09.16
30.09.16
06.12.16

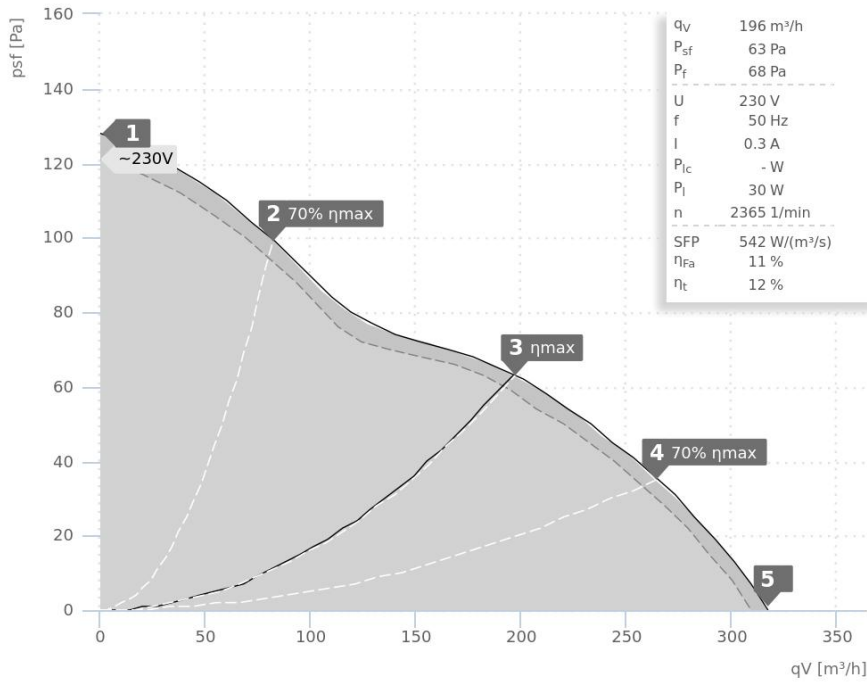
EM160E201+

137612 00

VENTAS
VENTILATORER

DATA SHEET

EM 160 E2 02 | 136634

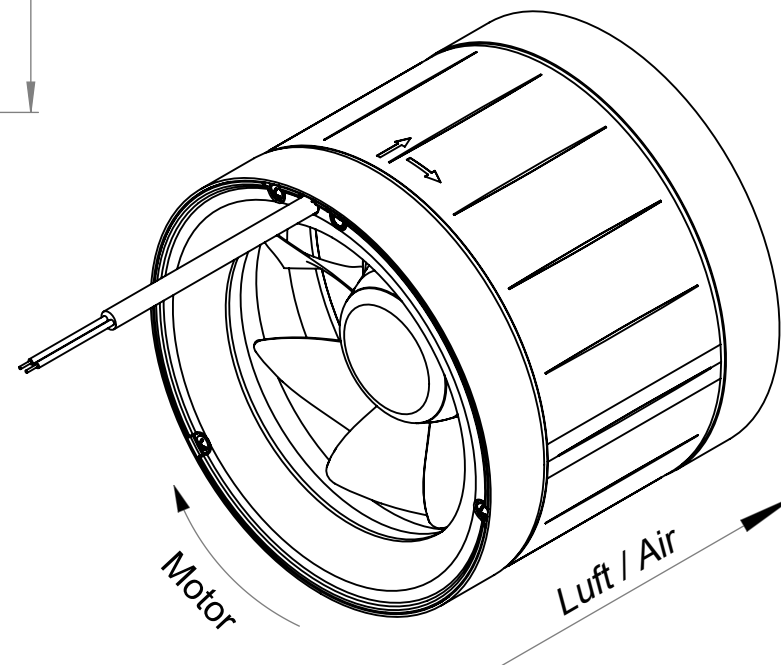
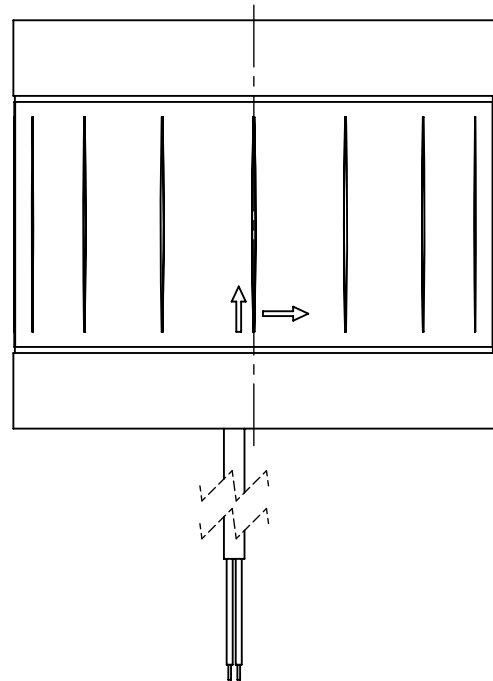
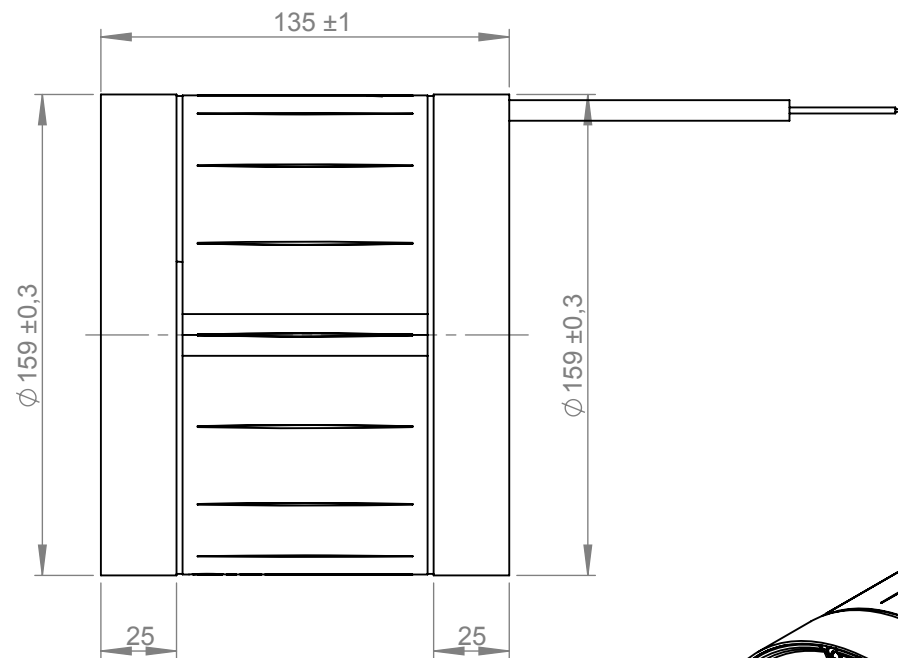
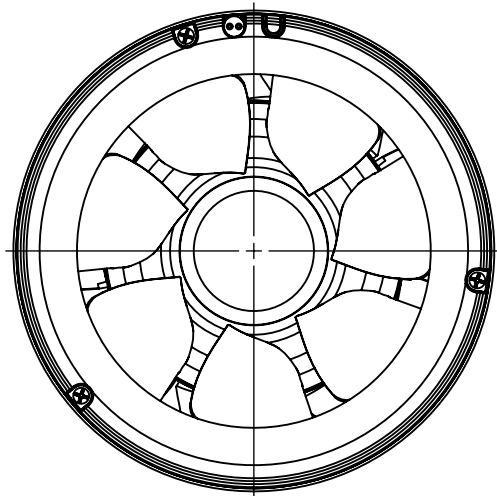


- Diagonal impeller with downstream three-dimensional guide vanes
- With plastic housing
- Integrated thermostatic switch
- For tube insertion

| Operating Point | | 1 | 2 | 3 | 4 | 5 |
|---------------------------------|-------|------|------|------|------|------|
| Current I | A | 0,3 | 0,3 | 0,3 | 0,3 | 0,3 |
| Power consumption P_1 | W | 29 | 28 | 30 | 31 | 30 |
| Rotation speed n | 1/min | 2389 | 2432 | 2364 | 2329 | 2385 |
| SWL inlet L_{WA5} | dB(A) | 56 | 56 | 56 | 54 | 56 |
| SWL outlet L_{WA6} | dB(A) | 61 | 60 | 60 | 59 | 61 |
| SWL housing break out L_{WA2} | dB(A) | 51 | 50 | 50 | 49 | 51 |

| Sound power (L_W) dB(A) | | Medium Frequency Band | | | | | | | | |
|-----------------------------|-----------|-----------------------|----|-----|-----|-----|----|----|----|----|
| | | Σ | 63 | 125 | 250 | 500 | 1k | 2k | 4k | 8k |
| Inlet | L_{WA5} | 56 | 26 | 39 | 47 | 49 | 50 | 50 | 45 | 34 |
| Outlet | L_{WA6} | 60 | 32 | 44 | 47 | 52 | 55 | 56 | 51 | 37 |
| Housing radiation | L_{WA2} | 50 | 28 | 37 | 44 | 47 | 34 | 34 | 30 | 18 |

| EM 160 E2 02 136634 | |
|-----------------------------------|----------|
| Voltage U_N | 230 V 1~ |
| Current I_{max} | 0,3 A |
| Ambient temperature t_A | 40 °C |
| Conveyed medium temperature t_M | 40 °C |
| Speed Control | - |
| Motor protection | TAI |
| Insulation class motor | F |
| Weight | 1,0 kg |
| Number of poles | - |
| IP motor | IP00 |
| IP terminal box | - |
| IP complete unit | IPX2 |
| Min. operating temperature | -25 °C |



1:2.5 A4 mm



Protection Mark
according to ISO16016

General tolerances
DIN ISO 2768-c

EM160E202

ruck Ventilatoren
Max-Planck-Str. 5
D-97944 Boxberg

Drawn: b.cormos
Created: b.cormos
Changed: h.ragowski

06.04.16
06.04.16
30.09.16

136634 00

