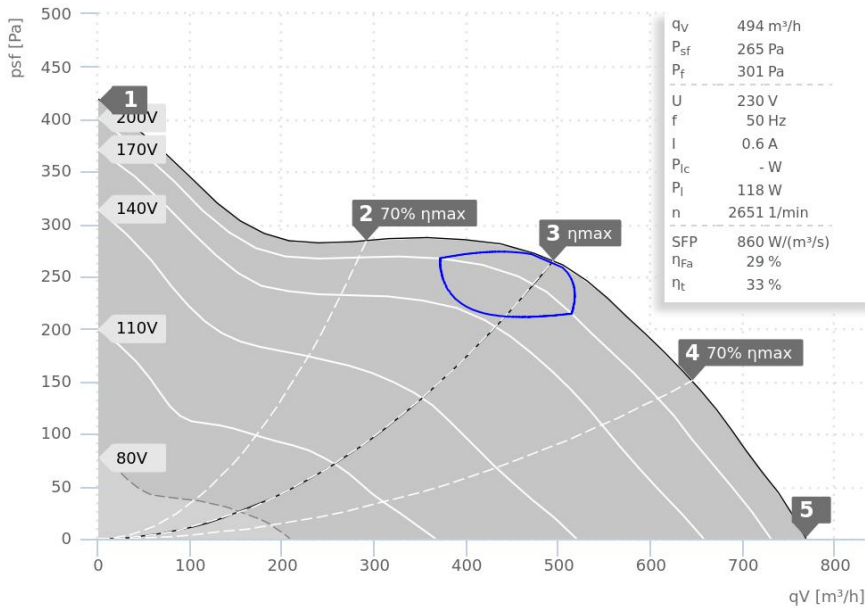


# DATA SHEET

EL 150L E2 01 | 125329



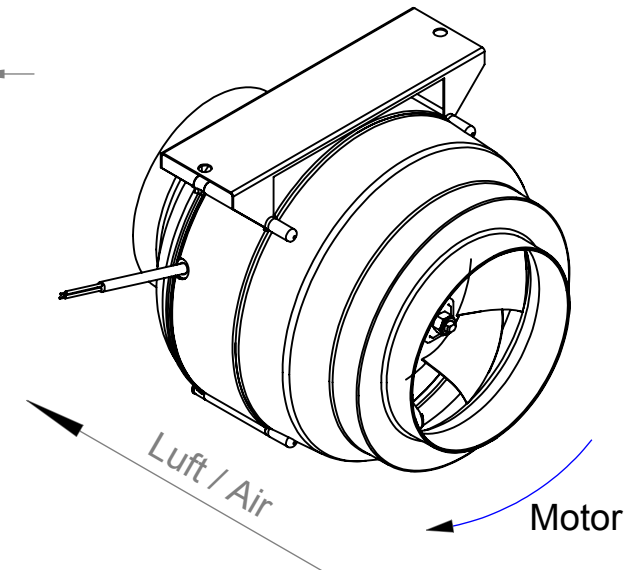
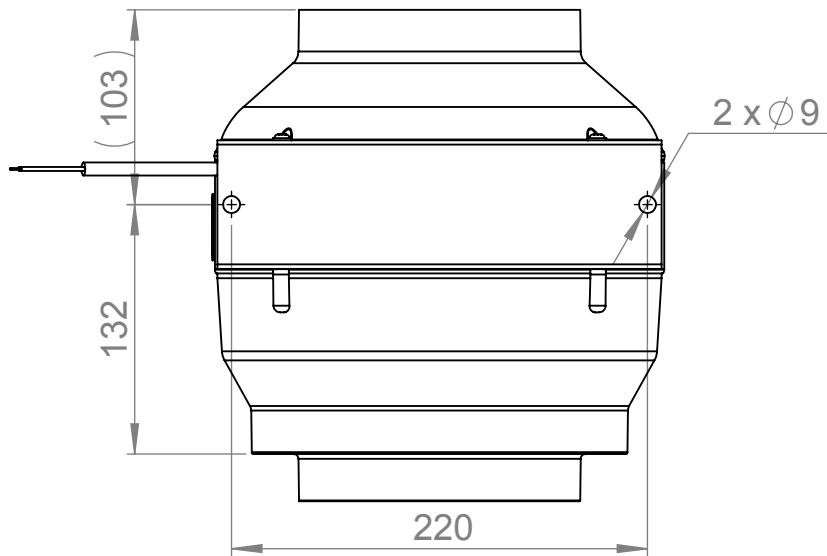
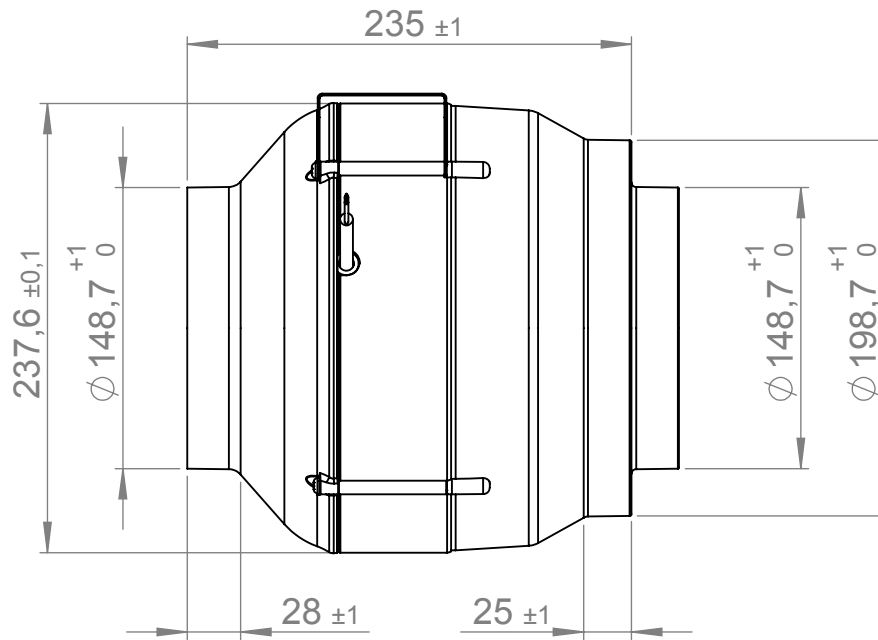
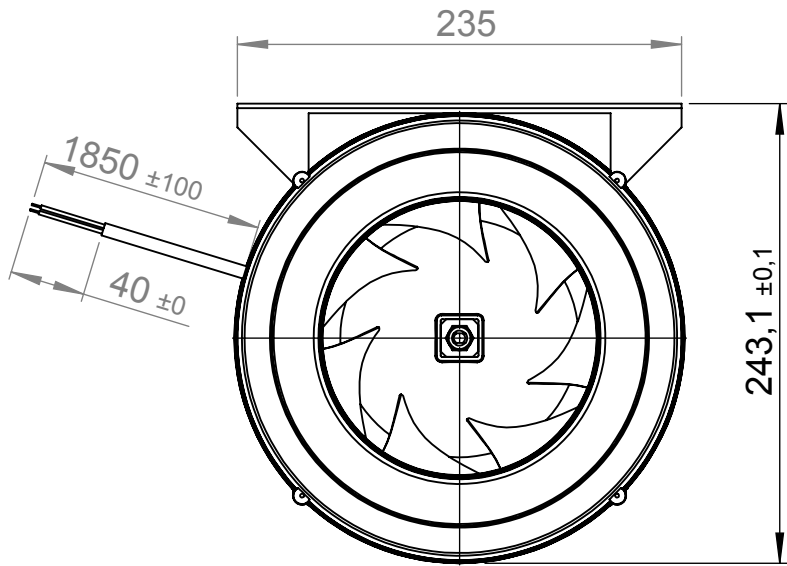
- Diagonal impeller with downstream three-dimensional guide vanes
- With plastic housing
- Speed controllable
- Integrated thermostatic switch
- Including mounting bracket

— ErP compliant range

| Operating Point                        |       | 1    | 2    | 3    | 4    | 5    |
|--|-------|------|------|------|------|------|
| Current I                              | A     | 0,5  | 0,5  | 0,6  | 0,6  | 0,6  |
| Power consumption P <sub>i</sub>       | W     | 95   | 107  | 118  | 124  | 124  |
| Rotation speed n                       | 1/min | 2788 | 2714 | 2651 | 2630 | 2630 |
| SWL inlet L <sub>WA5</sub>             | dB(A) | 72   | 72   | 72   | 73   | 74   |
| SWL outlet L <sub>WA6</sub>            | dB(A) | 75   | 74   | 73   | 74   | 75   |
| SWL housing break out L <sub>WA2</sub> | dB(A) | 66   | 66   | 65   | 65   | 67   |

| Sound power (L <sub>W</sub> ) dB(A) |                  | Medium Frequency Band |    |     |     |     |    |    |    |    |
|-------------------------------------|------------------|-----------------------|----|-----|-----|-----|----|----|----|----|
|                                     |                  | Σ                     | 63 | 125 | 250 | 500 | 1k | 2k | 4k | 8k |
| Inlet                               | L <sub>WA5</sub> | 72                    | 35 | 50  | 58  | 67  | 69 | 65 | 61 | 53 |
| Outlet                              | L <sub>WA6</sub> | 73                    | 34 | 49  | 61  | 68  | 69 | 66 | 61 | 53 |
| Housing radiation                   | L <sub>WA2</sub> | 65                    | 37 | 45  | 55  | 57  | 60 | 61 | 51 | 40 |

| EL 150L E2 01   125329                     |          |
|--|----------|
| Voltage U <sub>N</sub>                     | 230 V 1~ |
| Current I <sub>max</sub>                   | 0,6 A    |
| Ambient temperature t <sub>A</sub>         | 55 °C    |
| Conveyed medium temperature t <sub>M</sub> | 55 °C    |
| Speed Control                              | V        |
| Motor protection                           | TAI      |
| Insulation class motor                     | F        |
| Weight                                     | 3,7 kg   |
| Number of poles                            | 2        |
| IP motor                                   | IP00     |
| IP terminal box                            | -        |
| IP complete unit                           | IPX4     |
| Min. operating temperature                 | -25 °C   |



1:4 A4 mm



Protection Mark according to ISO16016

General tolerances DIN ISO 2768-mK

EL150LE201

ruck Ventilatoren  
Max-Planck-Str. 5  
D-97944 Boxberg

Drawn: m.deissler  
Created: m.deissler  
Changed: m.deissler

31.01.2012  
31.01.2012  
31.01.12

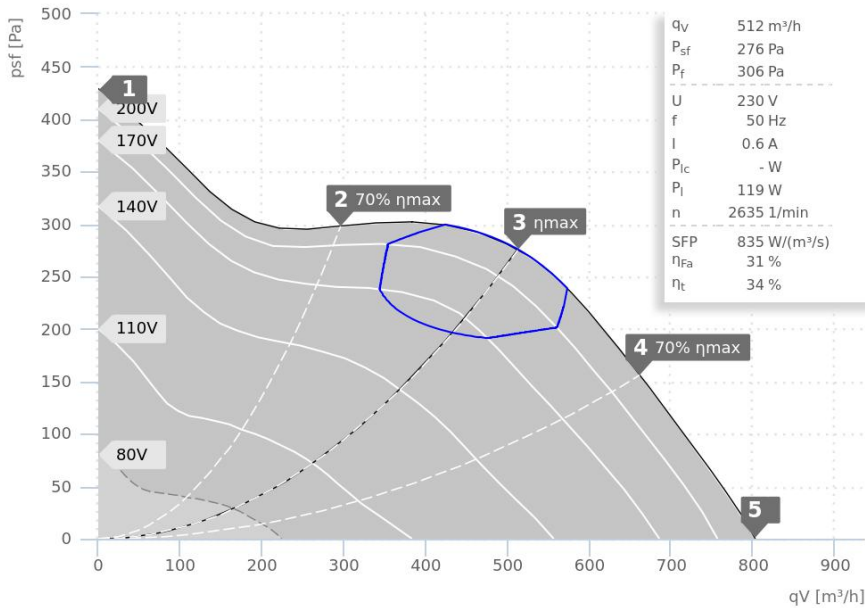
125329 00



# DATA SHEET

**ruck**.eu  
VENTILATOREN

EL 160L E2 01 | 125327



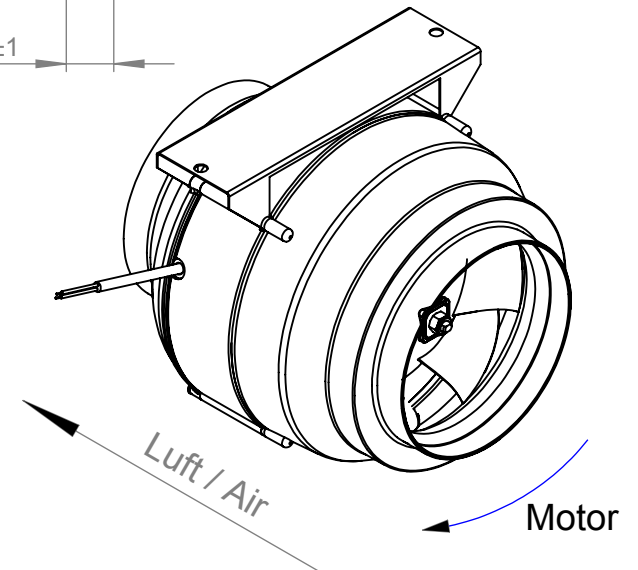
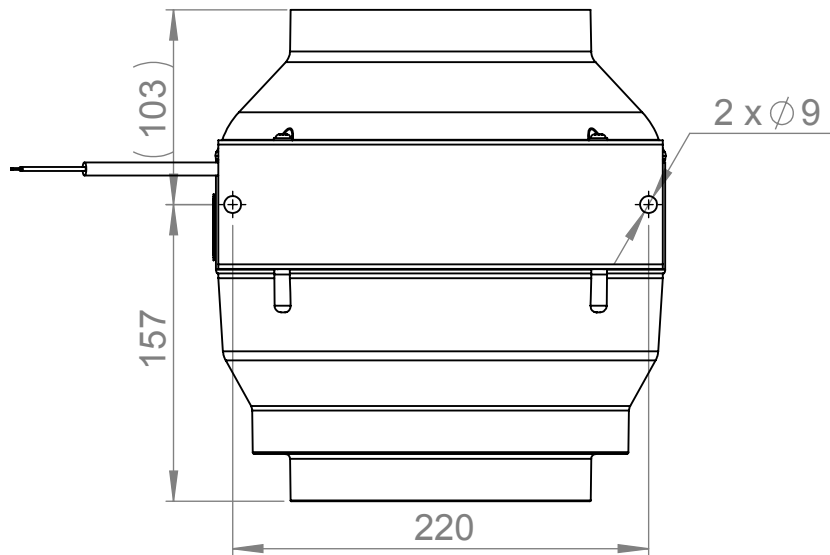
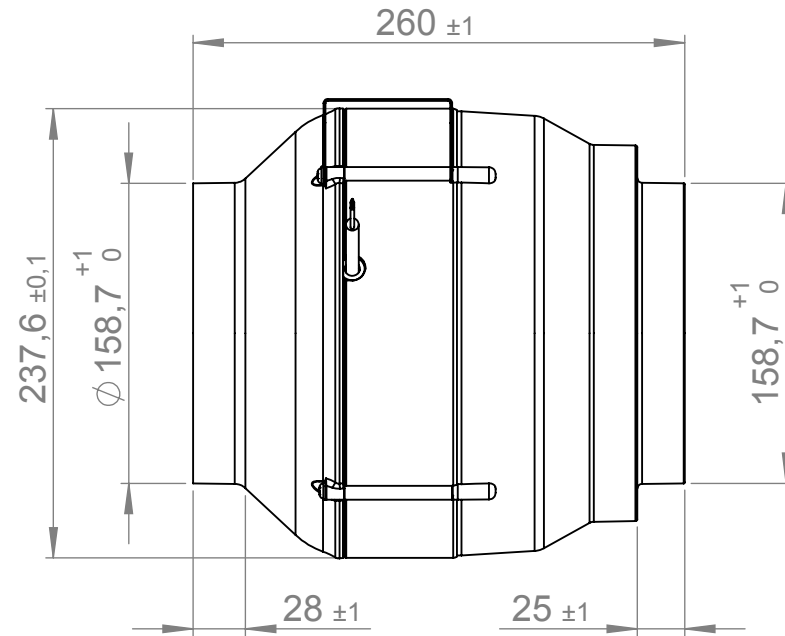
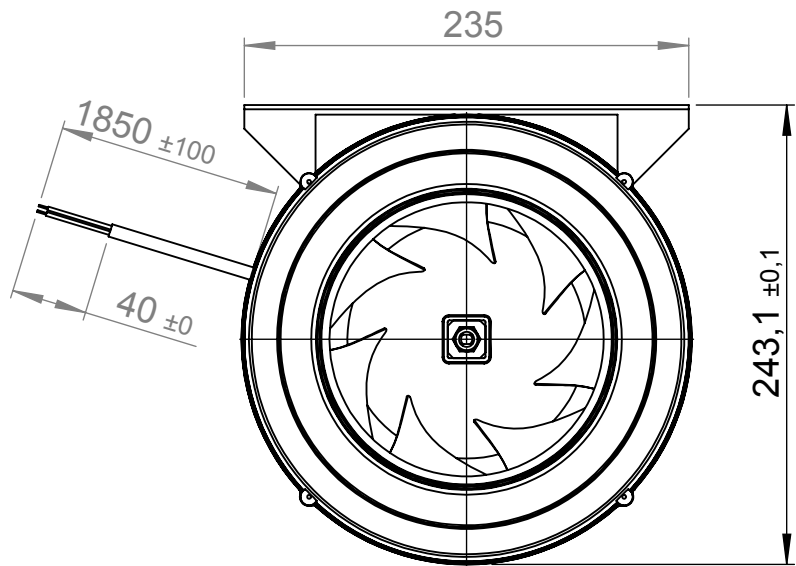
- Diagonal impeller with downstream three-dimensional guide vanes
- With plastic housing
- Speed controllable
- Integrated thermostatic switch
- Including mounting bracket

— ErP compliant range

| Operating Point                 |       | 1    | 2    | 3    | 4    | 5    |
|---------------------------------|-------|------|------|------|------|------|
| Current I                       | A     | 0,5  | 0,5  | 0,6  | 0,6  | 0,6  |
| Power consumption $P_i$         | W     | 96   | 107  | 119  | 124  | 123  |
| Rotation speed n                | 1/min | 2776 | 2706 | 2635 | 2613 | 2632 |
| SWL inlet $L_{WA5}$             | dB(A) | 70   | 70   | 69   | 70   | 73   |
| SWL outlet $L_{WA6}$            | dB(A) | 74   | 72   | 71   | 71   | 73   |
| SWL housing break out $L_{WA2}$ | dB(A) | 65   | 63   | 62   | 63   | 65   |

| Sound power ( $L_W$ ) dB(A) |           | Medium Frequency Band |    |     |     |     |    |    |    |    |
|-----------------------------|-----------|-----------------------|----|-----|-----|-----|----|----|----|----|
|                             |           | $\Sigma$              | 63 | 125 | 250 | 500 | 1k | 2k | 4k | 8k |
| Inlet                       | $L_{WA5}$ | 69                    | 31 | 43  | 51  | 62  | 65 | 64 | 60 | 51 |
| Outlet                      | $L_{WA6}$ | 71                    | 31 | 43  | 55  | 63  | 67 | 65 | 60 | 52 |
| Housing radiation           | $L_{WA2}$ | 62                    | 48 | 42  | 53  | 51  | 57 | 58 | 47 | 37 |

| EL 160L E2 01   125327            |          |
|-----------------------------------|----------|
| Voltage $U_N$                     | 230 V 1~ |
| Current $I_{max}$                 | 0,6 A    |
| Ambient temperature $t_A$         | 55 °C    |
| Conveyed medium temperature $t_M$ | 55 °C    |
| Speed Control                     | V        |
| Motor protection                  | TAI      |
| Insulation class motor            | F        |
| Weight                            | 3,4 kg   |
| Number of poles                   | 2        |
| IP motor                          | IP00     |
| IP terminal box                   | -        |
| IP complete unit                  | IPX4     |
| Min. operating temperature        | -25 °C   |



1:4 A4 mm

**ruck**<sup>EU</sup>  
VENTILATOREN

ruck Ventilatoren  
Max-Planck-Str. 5  
D-97944 Boxberg

Protection Mark  
according to ISO16016

Drawn: m.deissler  
Created: m.deissler  
Changed: m.deissler

General tolerances  
DIN ISO 2768-mK

31.01.2012  
31.01.2012  
31.01.12

**EL160LE201**

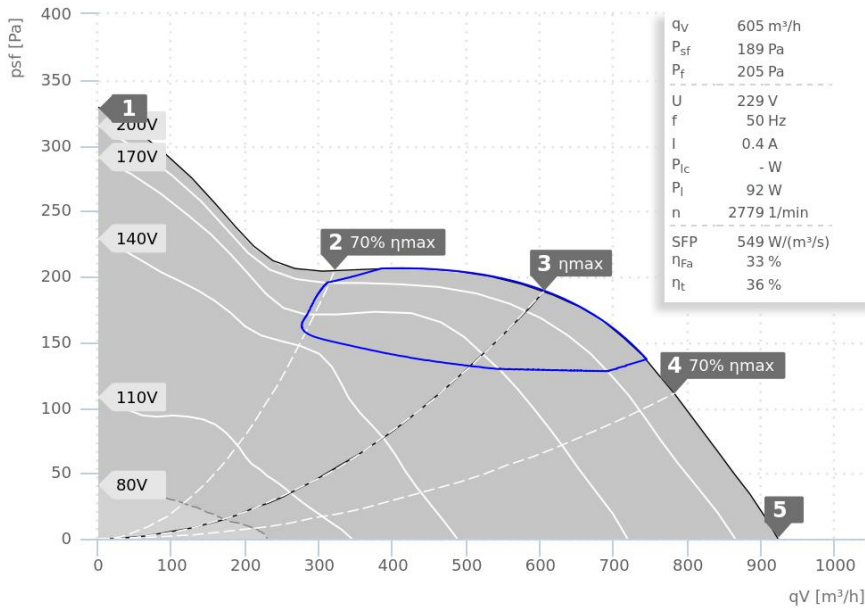
**125327 00**

**VENTAS**  
VENTILATORER

# DATA SHEET

**ruck**.eu  
VENTILATOREN

EL 200 E2 01 | 116527



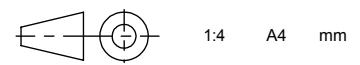
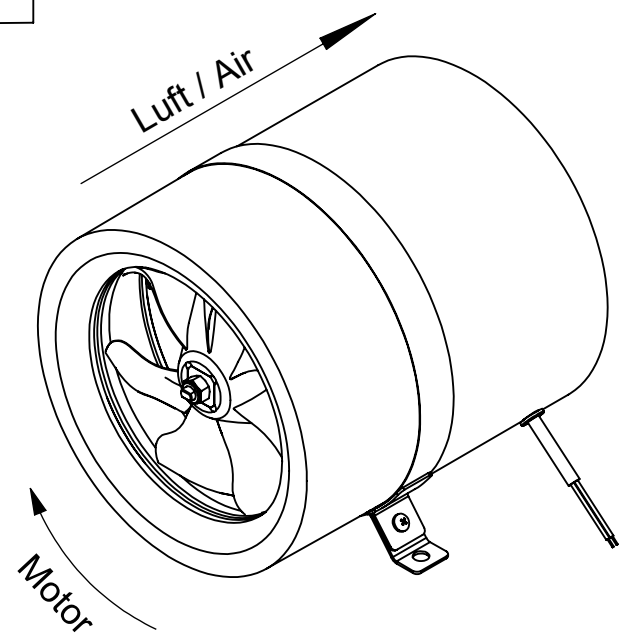
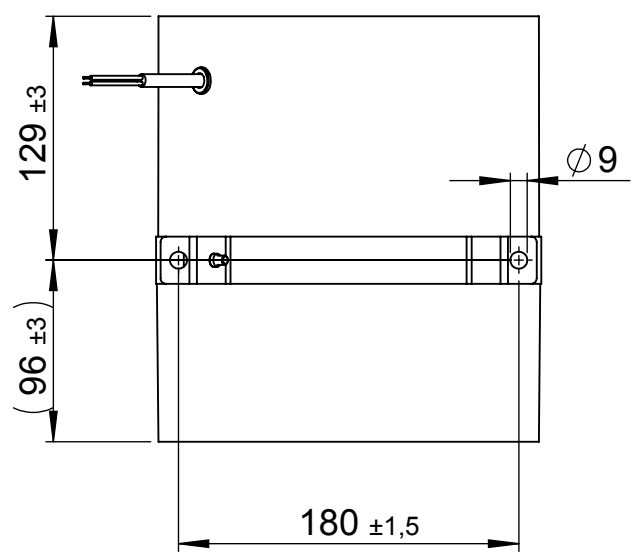
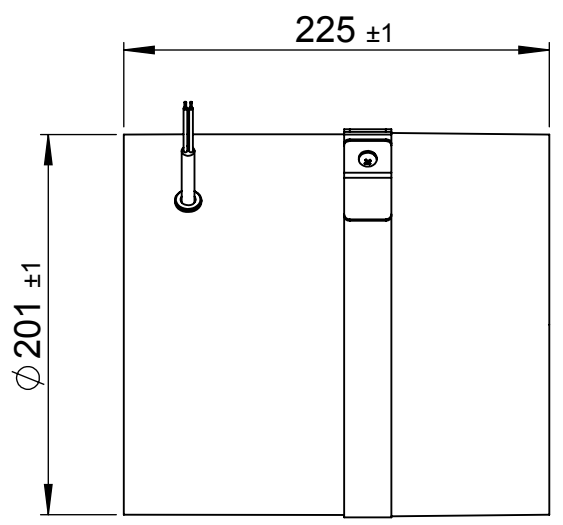
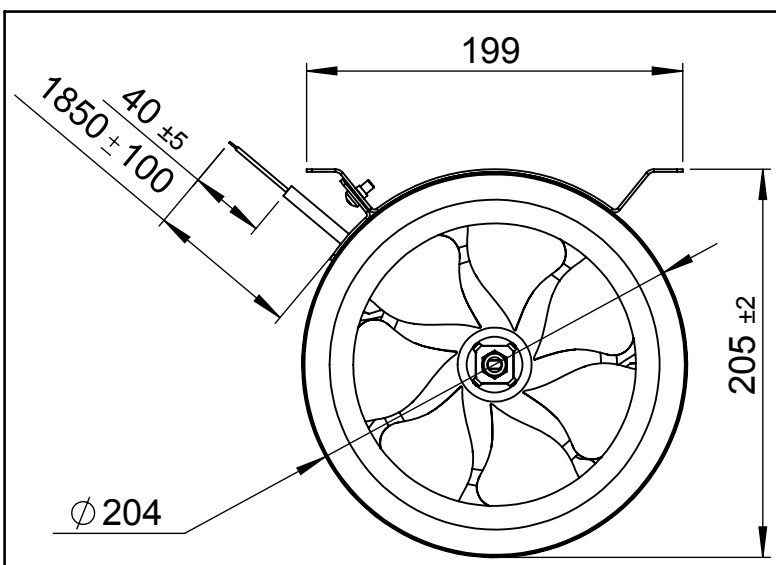
- Diagonal impeller with downstream three-dimensional guide vanes
- With plastic housing
- Speed controllable
- Integrated thermostatic switch
- Including mounting bracket

— ErP compliant range

| Operating Point                        |       | 1    | 2    | 3    | 4    | 5    |
|--|-------|------|------|------|------|------|
| Current I                              | A     | 0,4  | 0,3  | 0,4  | 0,5  | 0,5  |
| Power consumption P <sub>1</sub>       | W     | 80   | 77   | 92   | 100  | 103  |
| Rotation speed n                       | 1/min | 2845 | 2875 | 2779 | 2742 | 2720 |
| SWL inlet L <sub>WA5</sub>             | dB(A) | 72   | 72   | 72   | 75   | 76   |
| SWL outlet L <sub>WA6</sub>            | dB(A) | 76   | 75   | 76   | 75   | 78   |
| SWL housing break out L <sub>WA2</sub> | dB(A) | 62   | 61   | 60   | 59   | 61   |

| Sound power (L <sub>W</sub> ) dB(A) |                  | Medium Frequency Band |    |     |     |     |    |    |    |    |
|-------------------------------------|------------------|-----------------------|----|-----|-----|-----|----|----|----|----|
|                                     |                  | Σ                     | 63 | 125 | 250 | 500 | 1k | 2k | 4k | 8k |
| Inlet                               | L <sub>WA5</sub> | 72                    | 33 | 46  | 58  | 64  | 69 | 66 | 61 | 52 |
| Outlet                              | L <sub>WA6</sub> | 76                    | 36 | 48  | 58  | 65  | 73 | 70 | 63 | 55 |
| Housing radiation                   | L <sub>WA2</sub> | 60                    | 36 | 35  | 48  | 50  | 54 | 57 | 49 | 45 |

| EL 200 E2 01   116527                      |          |
|--|----------|
| Voltage U <sub>N</sub>                     | 230 V 1~ |
| Current I <sub>max</sub>                   | 0,5 A    |
| Ambient temperature t <sub>A</sub>         | 45 °C    |
| Conveyed medium temperature t <sub>M</sub> | 45 °C    |
| Speed Control                              | V        |
| Motor protection                           | TMI      |
| Insulation class motor                     | F        |
| Weight                                     | 2,9 kg   |
| Number of poles                            | 2        |
| IP motor                                   | IP00     |
| IP terminal box                            | -        |
| IP complete unit                           | IPX4     |
| Min. operating temperature                 | -25 °C   |



**ruck**<sup>EU</sup>  
VENTILATOREN

ruck Ventilatoren  
Max-Planck-Str. 5  
D-97944 Boxberg

Protection Mark  
according to ISO16016

Drawn: h.ragowski  
Created: h.ragowski  
Changed: a.muehleck

General tolerances  
DIN ISO 2768-mK

22.08.07  
25.07.07  
30.01.13

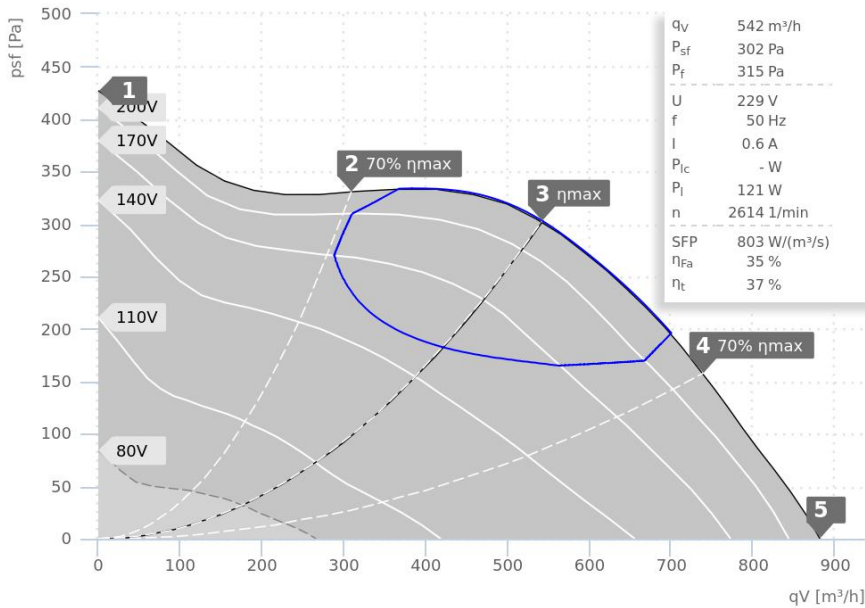
**EL200E201+**

**116527 01**



# DATA SHEET

EL 200L E2 01 | 125324



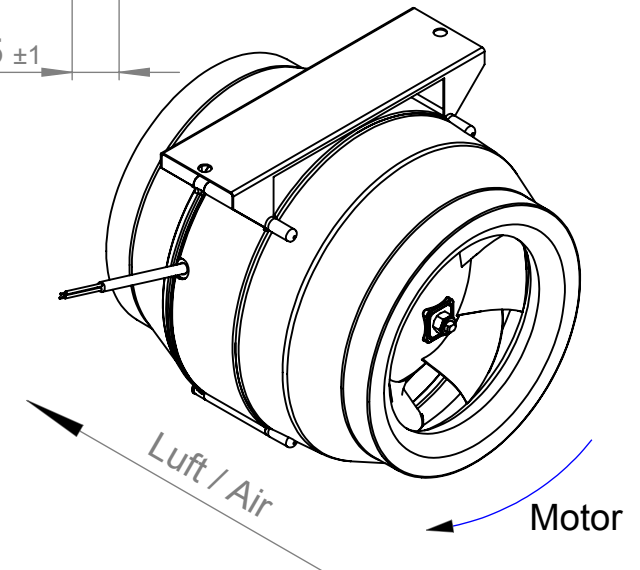
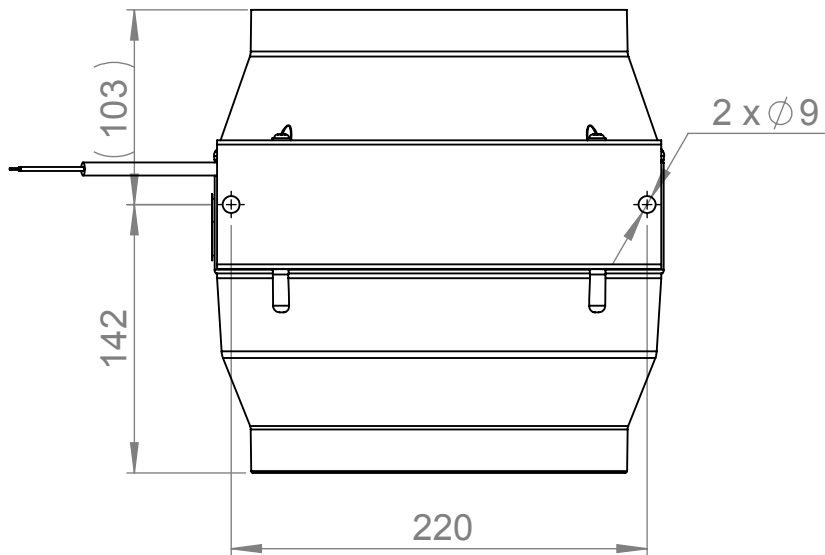
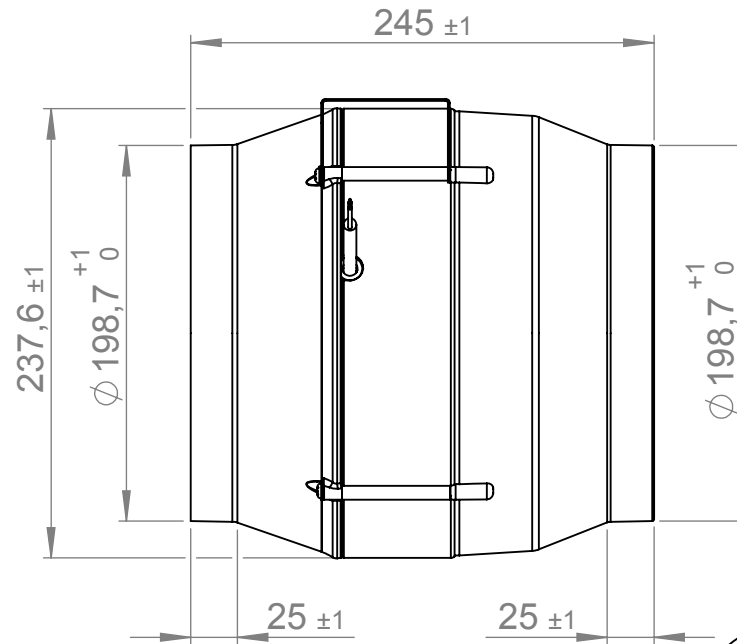
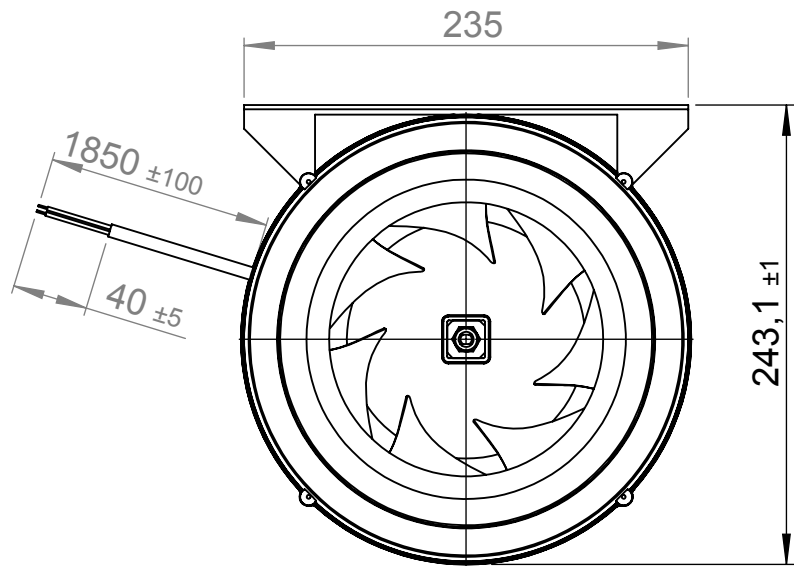
- Diagonal impeller with downstream three-dimensional guide vanes
- With plastic housing
- Speed controllable
- Integrated thermostatic switch
- Including mounting bracket

— ErP compliant range

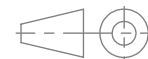
| Operating Point                        |       | 1    | 2    | 3    | 4    | 5    |
|--|-------|------|------|------|------|------|
| Current I                              | A     | 0,5  | 0,5  | 0,6  | 0,6  | 0,6  |
| Power consumption P <sub>1</sub>       | W     | 96   | 109  | 121  | 123  | 116  |
| Rotation speed n                       | 1/min | 2785 | 2691 | 2618 | 2616 | 2659 |
| SWL inlet L <sub>WA5</sub>             | dB(A) | 70   | 71   | 71   | 73   | 76   |
| SWL outlet L <sub>WA6</sub>            | dB(A) | 74   | 73   | 73   | 75   | 77   |
| SWL housing break out L <sub>WA2</sub> | dB(A) | 61   | 61   | 61   | 64   | 68   |

| Sound power (L <sub>W</sub> ) dB(A) |                  | Medium Frequency Band |    |     |     |     |    |    |    |    |
|-------------------------------------|------------------|-----------------------|----|-----|-----|-----|----|----|----|----|
|                                     |                  | Σ                     | 63 | 125 | 250 | 500 | 1k | 2k | 4k | 8k |
| Inlet                               | L <sub>WA5</sub> | 71                    | 23 | 38  | 50  | 63  | 68 | 65 | 60 | 53 |
| Outlet                              | L <sub>WA6</sub> | 73                    | 27 | 41  | 56  | 65  | 69 | 67 | 62 | 53 |
| Housing radiation                   | L <sub>WA2</sub> | 61                    | 25 | 38  | 51  | 51  | 56 | 58 | 45 | 35 |

| EL 200L E2 01   125324                     |          |
|--|----------|
| Voltage U <sub>N</sub>                     | 230 V 1~ |
| Current I <sub>max</sub>                   | 0,6 A    |
| Ambient temperature t <sub>A</sub>         | 55 °C    |
| Conveyed medium temperature t <sub>M</sub> | 55 °C    |
| Speed Control                              | V        |
| Motor protection                           | TAI      |
| Insulation class motor                     | F        |
| Weight                                     | 3,4 kg   |
| Number of poles                            | 2        |
| IP motor                                   | IP00     |
| IP terminal box                            | -        |
| IP complete unit                           | IPX4     |
| Min. operating temperature                 | -25 °C   |



ruck Ventilatoren  
Max-Planck-Str. 5  
D-97944 Boxberg



1:4 A4 mm

Protection Mark  
according to ISO16016

General tolerances  
DIN ISO 2768-mK

EL200LE201

Drawn: m.deissler  
Created: m.deissler  
Changed: m.deissler

31.01.2012  
31.01.2012  
03.02.12

125324 00

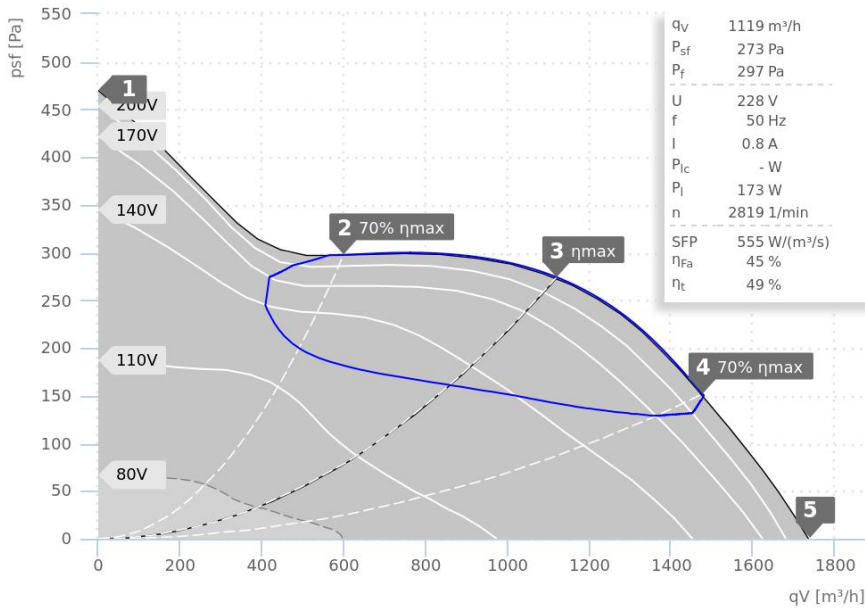




# DATA SHEET

**ruck**.eu  
VENTILATOREN

EL 250 E2 01 | 112382



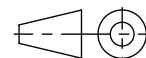
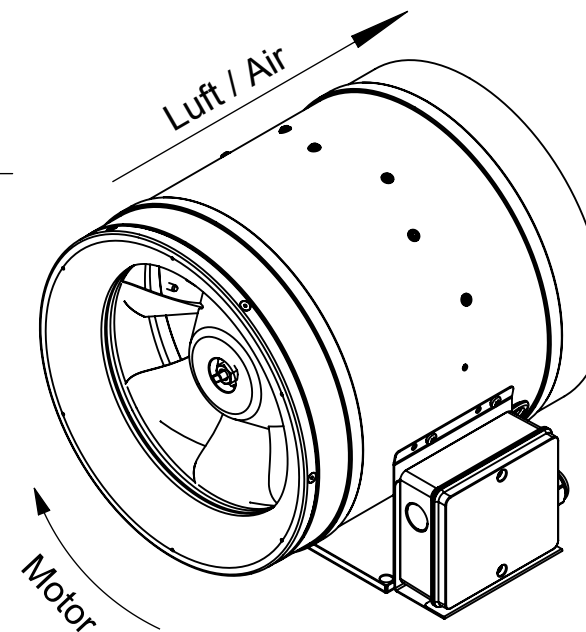
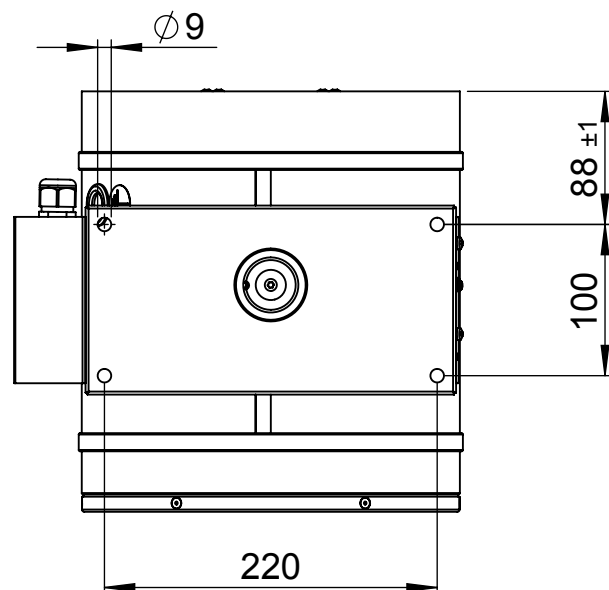
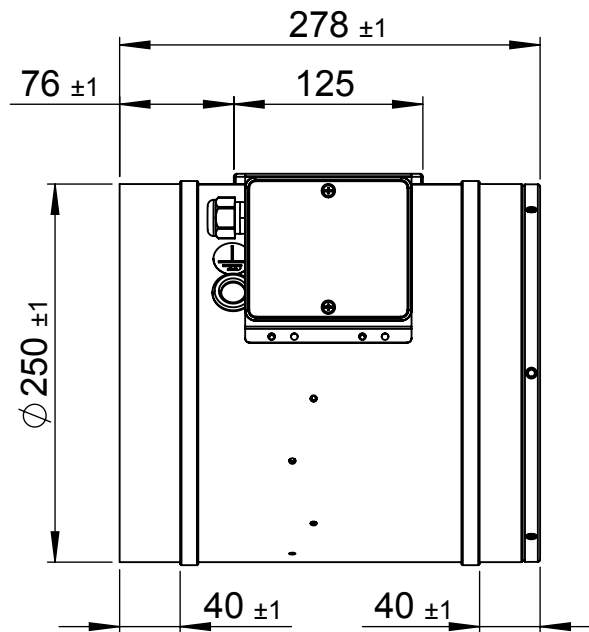
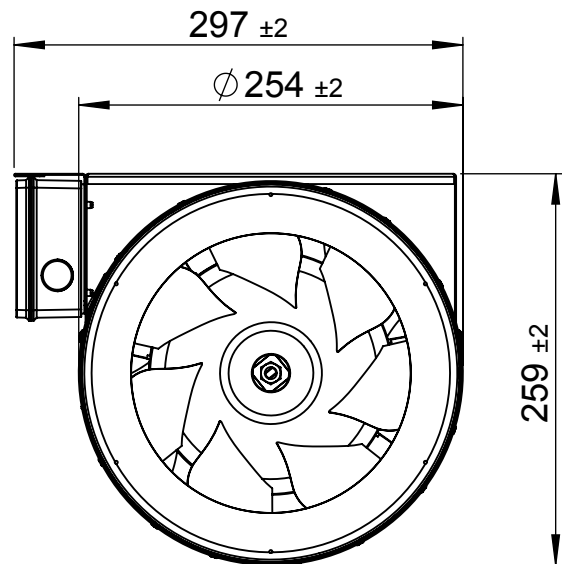
- Diagonal impeller with downstream three-dimensional guide vanes
- Galvanized metal housing
- Speed controllable
- Integrated thermostatic switch
- Including mounting bracket

— ErP compliant range

| Operating Point                        |       | 1    | 2    | 3    | 4    | 5    |
|--|-------|------|------|------|------|------|
| Current I                              | A     | 0,7  | 0,6  | 0,8  | 0,8  | 0,7  |
| Power consumption P <sub>1</sub>       | W     | 164  | 145  | 174  | 179  | 168  |
| Rotation speed n                       | 1/min | 2833 | 2876 | 2824 | 2822 | 2845 |
| SWL inlet L <sub>WA5</sub>             | dB(A) | 77   | 74   | 72   | 72   | 75   |
| SWL outlet L <sub>WA6</sub>            | dB(A) | 81   | 78   | 78   | 77   | 79   |
| SWL housing break out L <sub>WA2</sub> | dB(A) | 59   | 58   | 54   | 53   | 55   |

| Sound power (L <sub>W</sub> ) dB(A) |                  | Medium Frequency Band |    |     |     |     |    |    |    |    |
|-------------------------------------|------------------|-----------------------|----|-----|-----|-----|----|----|----|----|
|                                     |                  | Σ                     | 63 | 125 | 250 | 500 | 1k | 2k | 4k | 8k |
| Inlet                               | L <sub>WA5</sub> | 72                    | -  | 44  | 56  | 64  | 67 | 66 | 63 | 54 |
| Outlet                              | L <sub>WA6</sub> | 77                    | -  | 54  | 64  | 71  | 74 | 70 | 64 | 56 |
| Housing radiation                   | L <sub>WA2</sub> | 54                    | -  | 40  | 45  | 46  | 49 | 47 | 42 | 38 |

| EL 250 E2 01   112382                      |          |
|--|----------|
| Voltage U <sub>N</sub>                     | 230 V 1~ |
| Current I <sub>max</sub>                   | 1,0 A    |
| Ambient temperature t <sub>A</sub>         | 55 °C    |
| Conveyed medium temperature t <sub>M</sub> | 55 °C    |
| Speed Control                              | V        |
| Motor protection                           | TMI      |
| Insulation class motor                     | F        |
| Weight                                     | 6,4 kg   |
| Number of poles                            | 2        |
| IP motor                                   | IP00     |
| IP terminal box                            | IP44     |
| IP complete unit                           | IPX4     |
| Min. operating temperature                 | -25 °C   |



1:5 A4 mm

**ruck**<sup>EU</sup>  
VENTILATOREN

ruck Ventilatoren  
Max-Planck-Str. 5  
D-97944 Boxberg

Protection Mark  
according to ISO16016

Drawn: m.ruf  
Created: sy  
Changed: a.muehleck

General tolerances  
DIN ISO 2768-mK

28.08.07  
26.06.06  
05.02.13

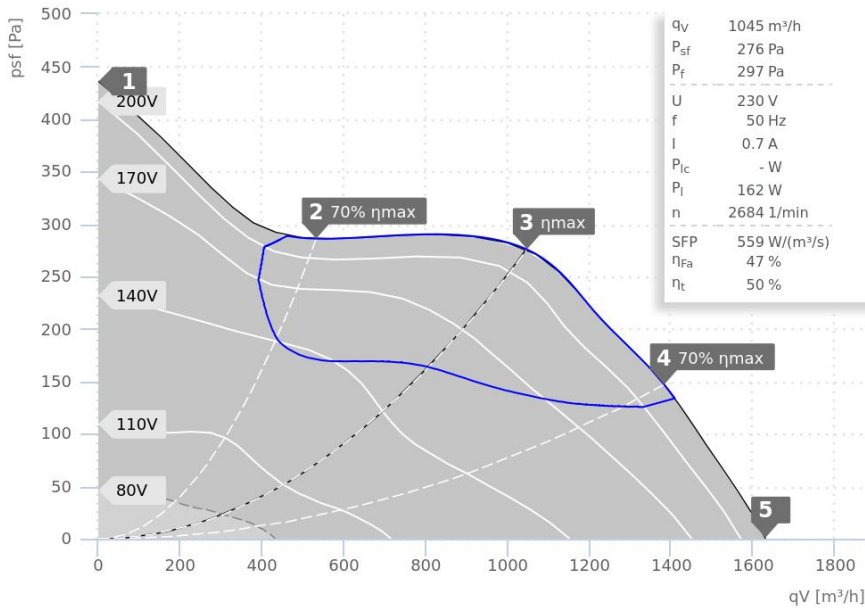
**EL250E201+**

**112382 03**

**VENTAS**  
VENTILATORER

# DATA SHEET

EL 250 E2 06 | 116227



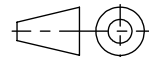
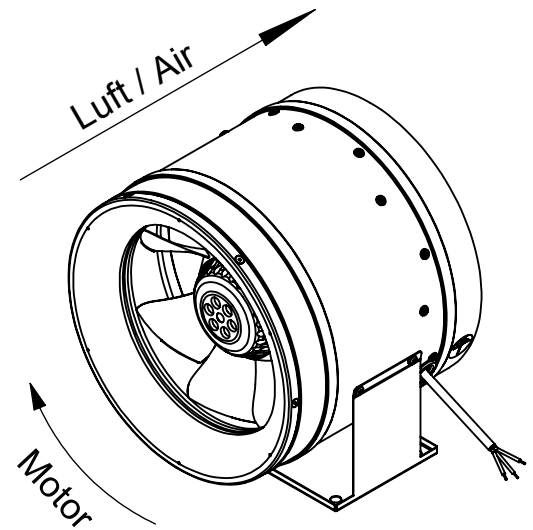
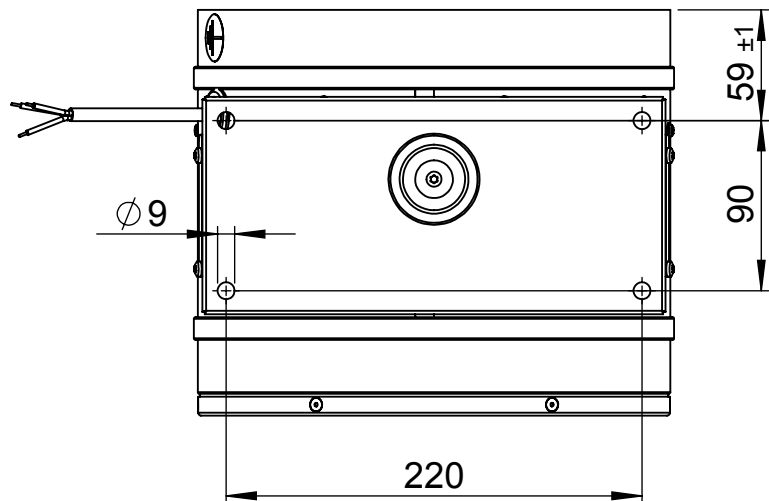
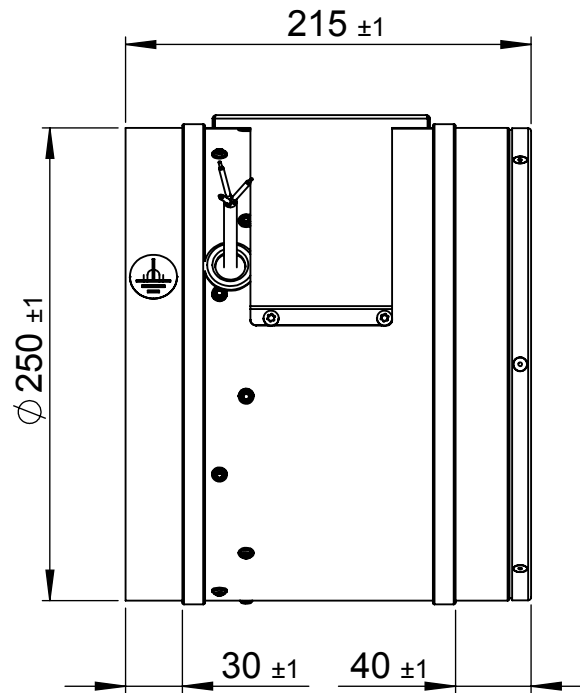
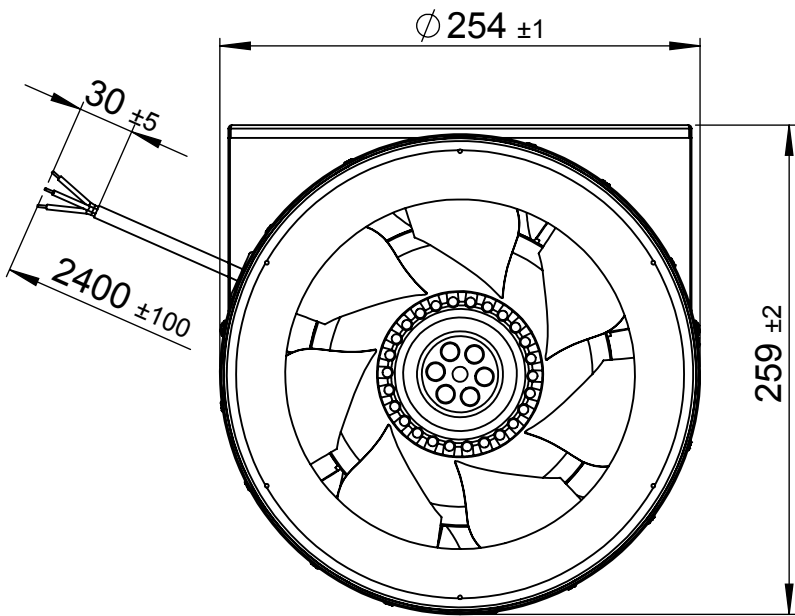
- Diagonal impeller with downstream three-dimensional guide vanes
- Galvanized metal housing
- Speed controllable
- Integrated thermostatic switch
- Including mounting bracket

— ErP compliant range

| Operating Point                        |       | 1    | 2    | 3    | 4    | 5    |
|--|-------|------|------|------|------|------|
| Current I                              | A     | 0,6  | 0,6  | 0,7  | 0,7  | 0,7  |
| Power consumption P <sub>i</sub>       | W     | 143  | 123  | 162  | 162  | 148  |
| Rotation speed n                       | 1/min | 2738 | 2809 | 2684 | 2688 | 2726 |
| SWL inlet L <sub>WA5</sub>             | dB(A) | 76   | 74   | 70   | 72   | 74   |
| SWL outlet L <sub>WA6</sub>            | dB(A) | 80   | 78   | 74   | 75   | 77   |
| SWL housing break out L <sub>WA2</sub> | dB(A) | 58   | 57   | 49   | 51   | 53   |

| Sound power (L <sub>W</sub> ) dB(A) |                  | Medium Frequency Band |    |     |     |     |    |    |    |    |
|-------------------------------------|------------------|-----------------------|----|-----|-----|-----|----|----|----|----|
|                                     |                  | Σ                     | 63 | 125 | 250 | 500 | 1k | 2k | 4k | 8k |
| Inlet                               | L <sub>WA5</sub> | 70                    | -  | 36  | 47  | 57  | 63 | 66 | 67 | 56 |
| Outlet                              | L <sub>WA6</sub> | 74                    | -  | 41  | 57  | 63  | 69 | 69 | 65 | 54 |
| Housing radiation                   | L <sub>WA2</sub> | 49                    | -  | 36  | 35  | 34  | 45 | 44 | 41 | 35 |

| EL 250 E2 06   116227                      |          |
|--|----------|
| Voltage U <sub>N</sub>                     | 230 V 1~ |
| Current I <sub>max</sub>                   | 0,8 A    |
| Ambient temperature t <sub>A</sub>         | 50 °C    |
| Conveyed medium temperature t <sub>M</sub> | 50 °C    |
| Speed Control                              | V        |
| Motor protection                           | TMI      |
| Insulation class motor                     | F        |
| Weight                                     | 5,4 kg   |
| Number of poles                            | 2        |
| IP motor                                   | IP33     |
| IP terminal box                            | -        |
| IP complete unit                           | IPX4     |
| Min. operating temperature                 | -25 °C   |



1:4 A4 mm

**ruck**<sup>EU</sup>  
VENTILATOREN

ruck Ventilatoren  
Max-Planck-Str. 5  
D-97944 Boxberg

Protection Mark  
according to ISO16016

Drawn: m.deissler  
Created: h.ragowski  
Changed: a.muehleck

General tolerances  
DIN ISO 2768-mK

06.06.12  
31.05.07  
05.02.13

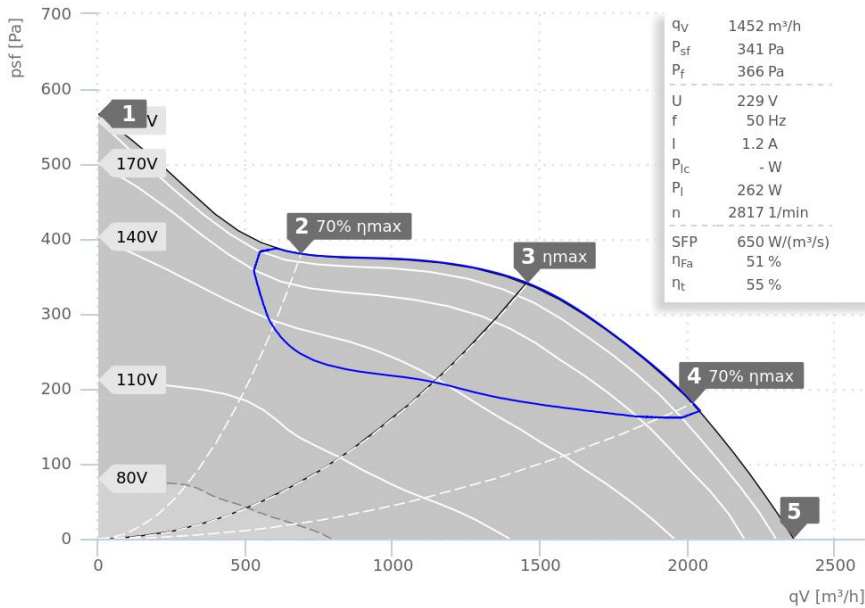
**EL250E206+**

**116227 02**

**VENTAS**  
VENTILATORER

# DATA SHEET

EL 280 E2 02 | 115334



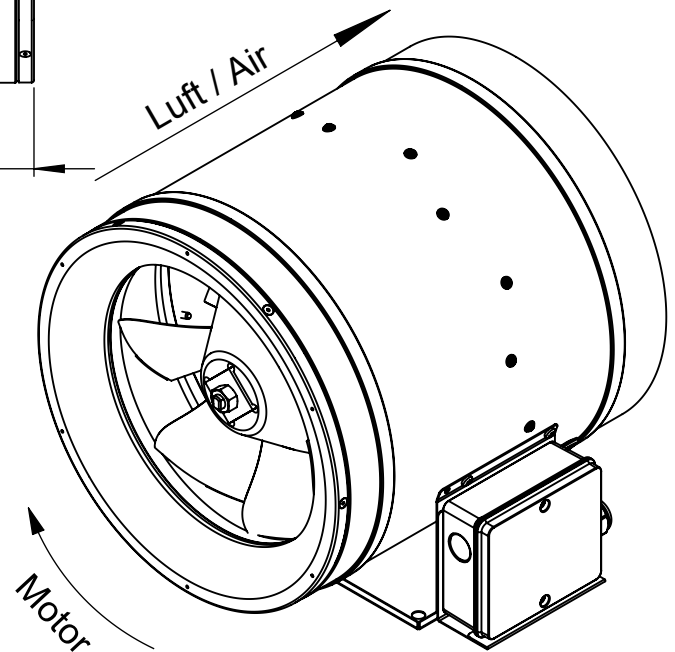
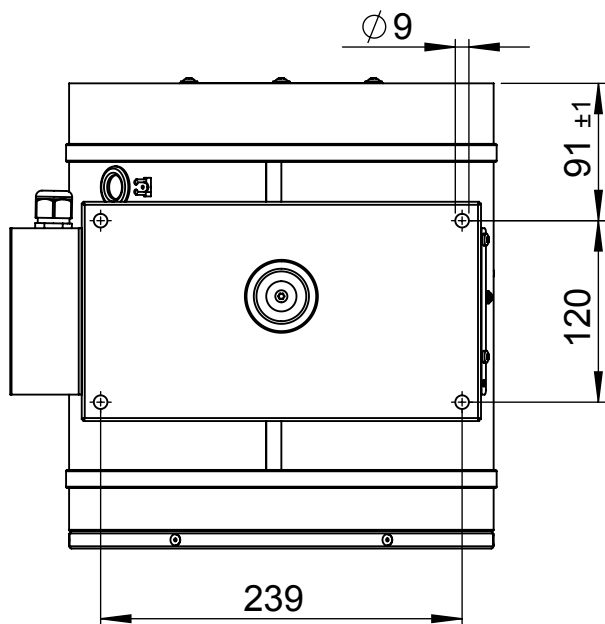
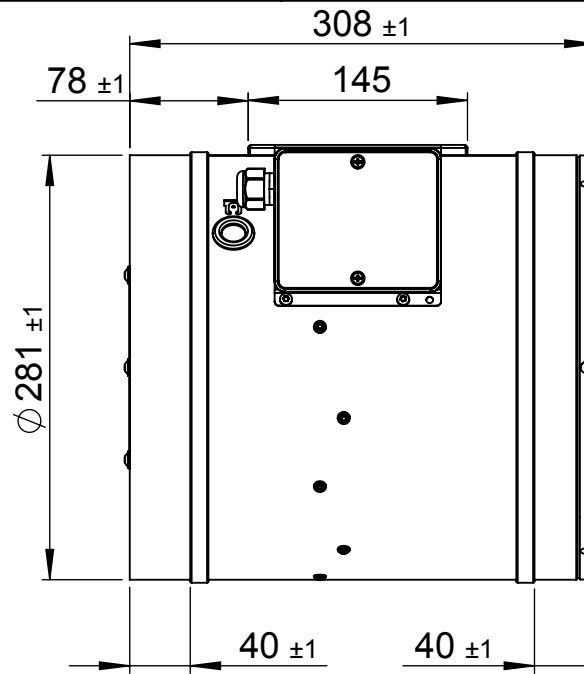
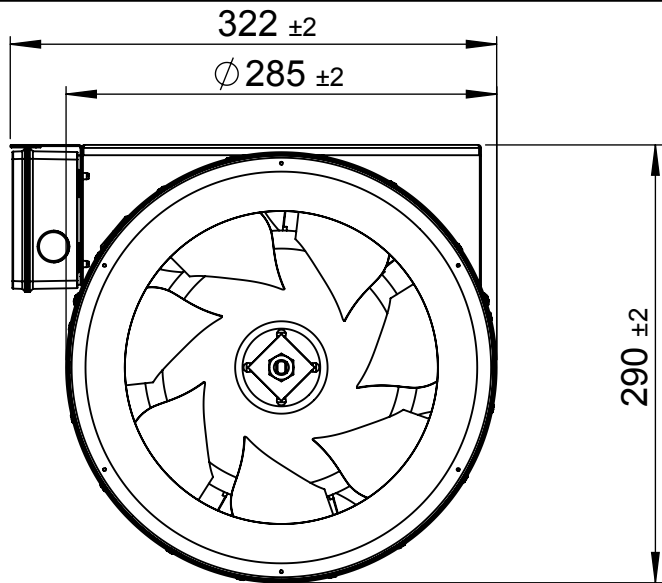
- Diagonal impeller with downstream three-dimensional guide vanes
- Galvanized metal housing
- Speed controllable
- Integrated thermostatic switch
- Including mounting bracket


— ErP compliant range

| Operating Point                        |       | 1    | 2    | 3    | 4    | 5    |
|--|-------|------|------|------|------|------|
| Current I                              | A     | 1,1  | 0,9  | 1,2  | 1,2  | 1,1  |
| Power consumption P <sub>1</sub>       | W     | 242  | 198  | 263  | 273  | 250  |
| Rotation speed n                       | 1/min | 2862 | 2888 | 2819 | 2813 | 2838 |
| SWL inlet L <sub>WA5</sub>             | dB(A) | 80   | 77   | 75   | 76   | 79   |
| SWL outlet L <sub>WA6</sub>            | dB(A) | 84   | 81   | 79   | 81   | 82   |
| SWL housing break out L <sub>WA2</sub> | dB(A) | 64   | 62   | 58   | 56   | 58   |

| Sound power (L <sub>W</sub> ) dB(A) |                  | Medium Frequency Band |    |     |     |     |    |    |    |    |
|-------------------------------------|------------------|-----------------------|----|-----|-----|-----|----|----|----|----|
|                                     |                  | Σ                     | 63 | 125 | 250 | 500 | 1k | 2k | 4k | 8k |
| Inlet                               | L <sub>WA5</sub> | 75                    | -  | 49  | 63  | 68  | 70 | 69 | 66 | 57 |
| Outlet                              | L <sub>WA6</sub> | 79                    | -  | 51  | 69  | 73  | 75 | 73 | 66 | 58 |
| Housing radiation                   | L <sub>WA2</sub> | 58                    | -  | 44  | 46  | 49  | 53 | 51 | 49 | 45 |

| EL 280 E2 02   115334                      |          |
|--|----------|
| Voltage U <sub>N</sub>                     | 230 V 1~ |
| Current I <sub>max</sub>                   | 1,6 A    |
| Ambient temperature t <sub>A</sub>         | 55 °C    |
| Conveyed medium temperature t <sub>M</sub> | 55 °C    |
| Speed Control                              | V        |
| Motor protection                           | TMI      |
| Insulation class motor                     | F        |
| Weight                                     | 8,7 kg   |
| Number of poles                            | 2        |
| IP motor                                   | IP00     |
| IP terminal box                            | IP44     |
| IP complete unit                           | IPX4     |
| Min. operating temperature                 | -25 °C   |




 1:5 A4 mm

**ruck**<sup>EU</sup>  
 VENTILATOREN

ruck Ventilatoren  
 Max-Planck-Str. 5  
 D-97944 Boxberg

Protection Mark  
 according to ISO16016

Drawn: h.ragowski  
 Created: v.brand  
 Changed: a.muehleck

General tolerances  
 DIN ISO 2768-mK

28.03.07  
 05.02.07  
 05.02.13

**EL280E202+**

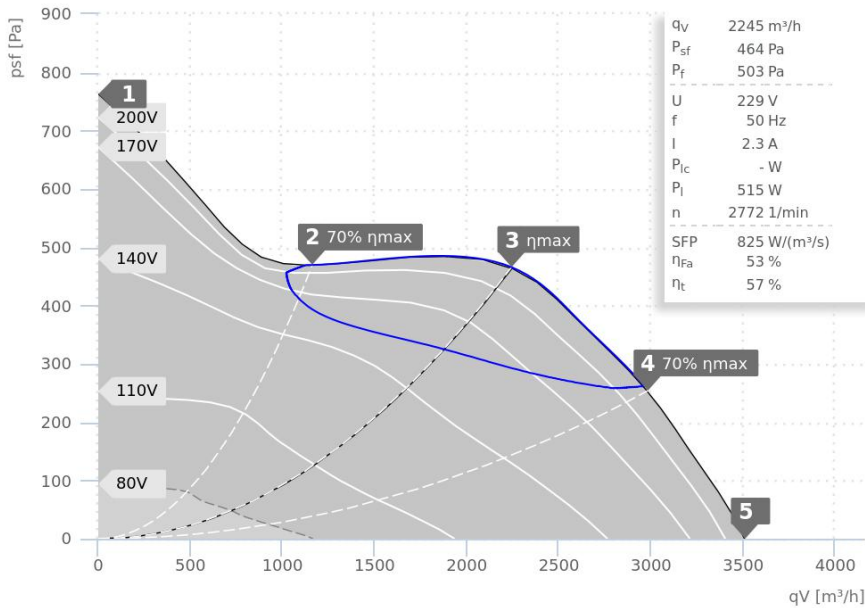
**115334 03**



# DATA SHEET

**ruck**.eu  
VENTILATOREN

EL 315 E2 01 | 112202



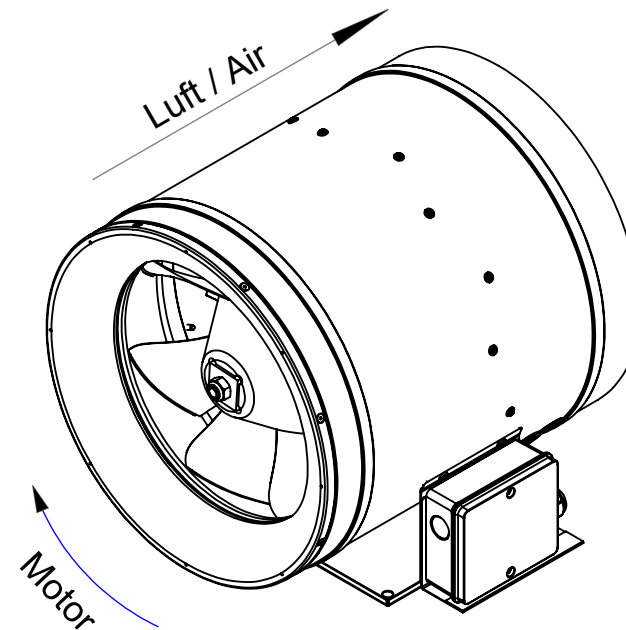
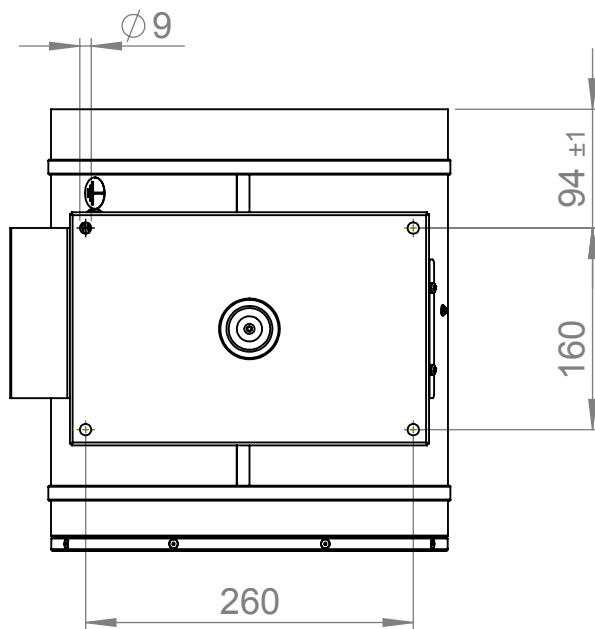
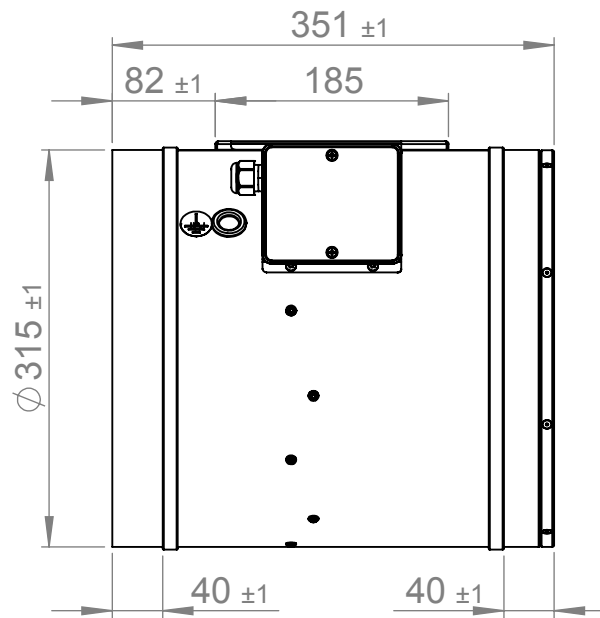
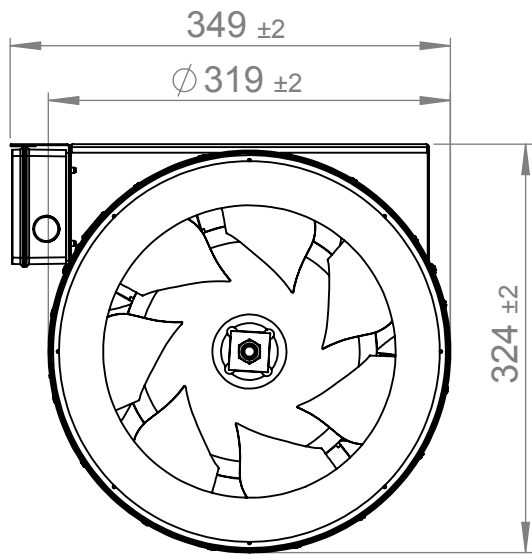
- Diagonal impeller with downstream three-dimensional guide vanes
- Galvanized metal housing
- Speed controllable
- Integrated thermostatic switch
- Including mounting bracket

— ErP compliant range

| Operating Point                        |       | 1    | 2    | 3    | 4    | 5    |
|--|-------|------|------|------|------|------|
| Current I                              | A     | 2,1  | 1,7  | 2,3  | 2,3  | 2,1  |
| Power consumption P <sub>i</sub>       | W     | 465  | 385  | 515  | 527  | 476  |
| Rotation speed n                       | 1/min | 2801 | 2850 | 2776 | 2772 | 2809 |
| SWL inlet L <sub>WA5</sub>             | dB(A) | 84   | 80   | 76   | 78   | 81   |
| SWL outlet L <sub>WA6</sub>            | dB(A) | 88   | 84   | 81   | 83   | 85   |
| SWL housing break out L <sub>WA2</sub> | dB(A) | 68   | 66   | 61   | 61   | 63   |

| Sound power (L <sub>W</sub> ) dB(A) |                  | Medium Frequency Band |    |     |     |     |    |    |    |    |
|-------------------------------------|------------------|-----------------------|----|-----|-----|-----|----|----|----|----|
|                                     |                  | Σ                     | 63 | 125 | 250 | 500 | 1k | 2k | 4k | 8k |
| Inlet                               | L <sub>WA5</sub> | 76                    | -  | 47  | 64  | 69  | 70 | 70 | 69 | 66 |
| Outlet                              | L <sub>WA6</sub> | 81                    | -  | 50  | 70  | 75  | 77 | 75 | 71 | 65 |
| Housing radiation                   | L <sub>WA2</sub> | 61                    | -  | 45  | 50  | 52  | 56 | 54 | 53 | 46 |

| EL 315 E2 01   112202                      |          |
|--|----------|
| Voltage U <sub>N</sub>                     | 230 V 1~ |
| Current I <sub>max</sub>                   | 3,2 A    |
| Ambient temperature t <sub>A</sub>         | 70 °C    |
| Conveyed medium temperature t <sub>M</sub> | 70 °C    |
| Speed Control                              | V        |
| Motor protection                           | TMI      |
| Insulation class motor                     | F        |
| Weight                                     | 15,0 kg  |
| Number of poles                            | 2        |
| IP motor                                   | IP54     |
| IP terminal box                            | IP44     |
| IP complete unit                           | IPX4     |
| Min. operating temperature                 | -25 °C   |



ruck Ventilatoren  
 Max-Planck-Str. 5  
 D-97944 Boxberg



1:6 A4 mm

Protection Mark  
 according to ISO16016

General tolerances  
 DIN ISO 2768-mK

**EL315E201+**

Drawn: d.huegel  
 Created: v.brand  
 Changed: a.muehleck

14.06.2011  
 19.11.2013  
 05.02.13

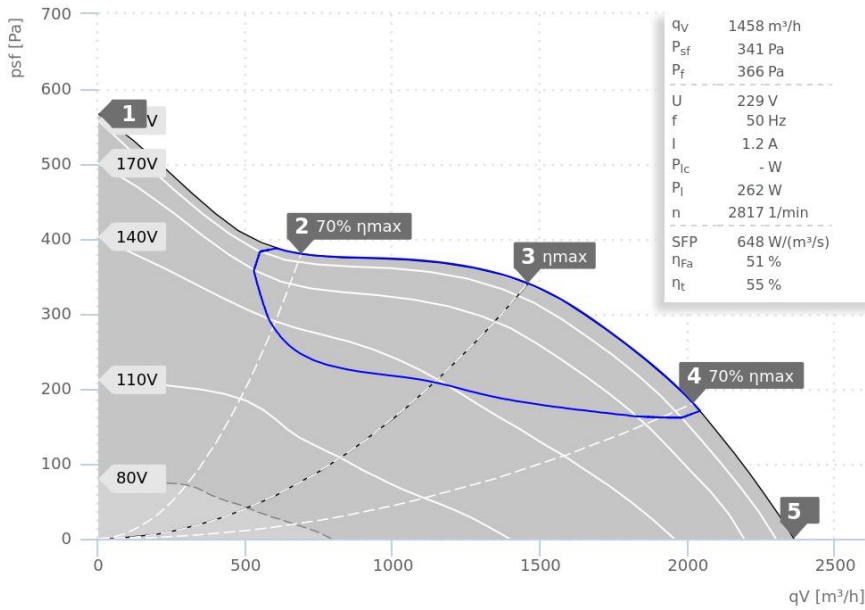
**112202 04**





# DATA SHEET

EL 315 E2 03 | 117010



— ErP compliant range

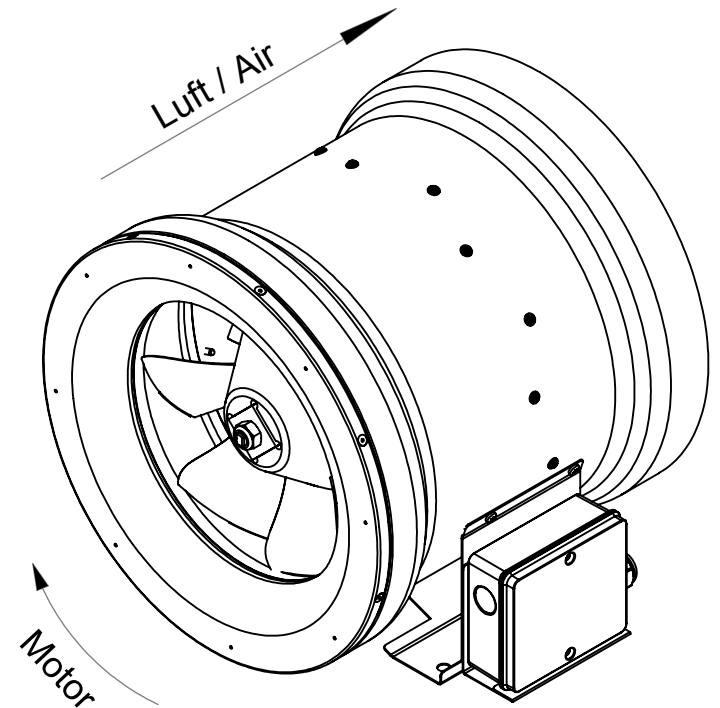
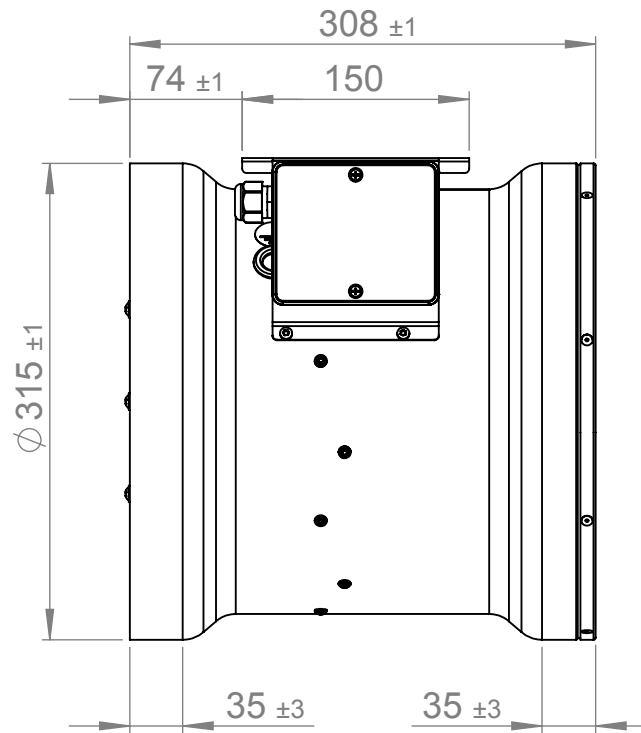
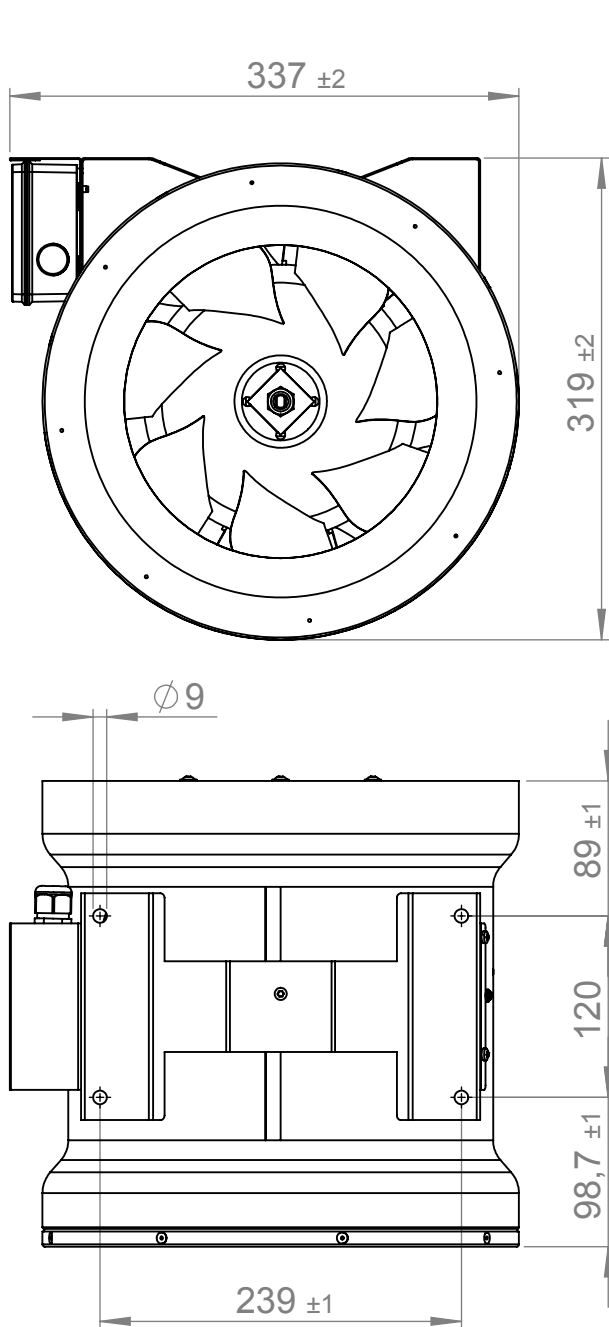


- Diagonal impeller with downstream three-dimensional guide vanes
- Galvanized metal housing
- Speed controllable
- Integrated thermostatic switch
- Including mounting bracket

| Operating Point                        |       | 1    | 2    | 3    | 4    | 5    |
|--|-------|------|------|------|------|------|
| Current I                              | A     | 1,1  | 0,9  | 1,2  | 1,2  | 1,1  |
| Power consumption P <sub>1</sub>       | W     | 242  | 198  | 263  | 273  | 250  |
| Rotation speed n                       | 1/min | 2862 | 2888 | 2819 | 2813 | 2838 |
| SWL inlet L <sub>WA5</sub>             | dB(A) | 80   | 77   | 75   | 76   | 79   |
| SWL outlet L <sub>WA6</sub>            | dB(A) | 84   | 81   | 79   | 81   | 82   |
| SWL housing break out L <sub>WA2</sub> | dB(A) | 64   | 62   | 58   | 56   | 58   |

| Sound power (L <sub>W</sub> ) dB(A) |                  | Medium Frequency Band |    |     |     |     |    |    |    |    |
|-------------------------------------|------------------|-----------------------|----|-----|-----|-----|----|----|----|----|
|                                     |                  | Σ                     | 63 | 125 | 250 | 500 | 1k | 2k | 4k | 8k |
| Inlet                               | L <sub>WA5</sub> | 75                    | -  | 49  | 63  | 68  | 70 | 69 | 66 | 57 |
| Outlet                              | L <sub>WA6</sub> | 79                    | -  | 51  | 69  | 73  | 75 | 73 | 66 | 58 |
| Housing radiation                   | L <sub>WA2</sub> | 58                    | -  | 44  | 46  | 49  | 53 | 51 | 49 | 45 |

| EL 315 E2 03   117010                      |          |
|--|----------|
| Voltage U <sub>N</sub>                     | 230 V 1~ |
| Current I <sub>max</sub>                   | 1,6 A    |
| Ambient temperature t <sub>A</sub>         | 55 °C    |
| Conveyed medium temperature t <sub>M</sub> | 55 °C    |
| Speed Control                              | V        |
| Motor protection                           | TMI      |
| Insulation class motor                     | F        |
| Weight                                     | 8,4 kg   |
| Number of poles                            | 2        |
| IP motor                                   | IP00     |
| IP terminal box                            | IP44     |
| IP complete unit                           | IPX4     |
| Min. operating temperature                 | -25 °C   |



ruck Ventilatoren  
Max-Planck-Str. 5  
D-97944 Boxberg



1:5 A4 mm

Protection Mark  
according to ISO16016

General tolerances  
DIN ISO 2768-mK

**EL315E203+**

Drawn: h.ragowski  
Created: h.ragowski  
Changed: d.andree

22.10.07  
22.10.07  
28.09.17

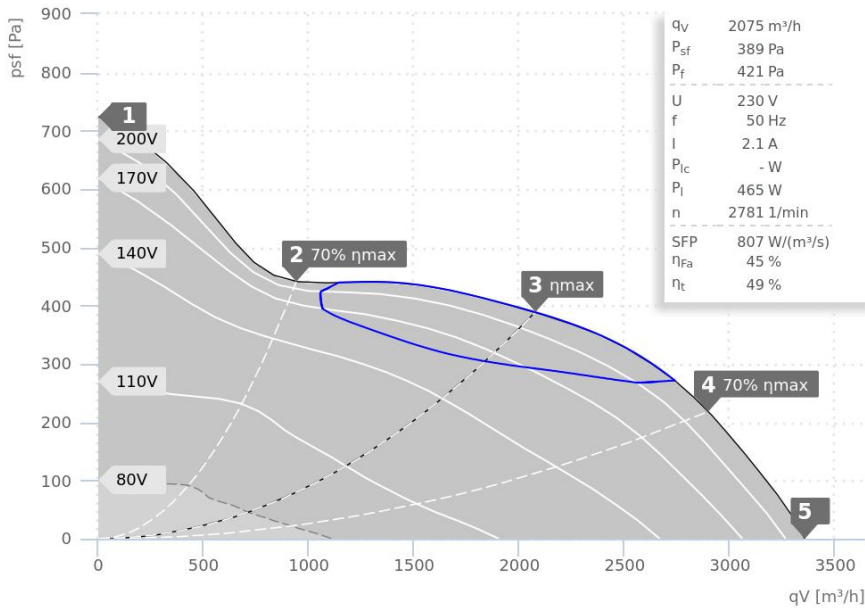
**117010 04**



# DATA SHEET

**ruck**.eu  
VENTILATOREN

EL 315 E2 10 | 130320



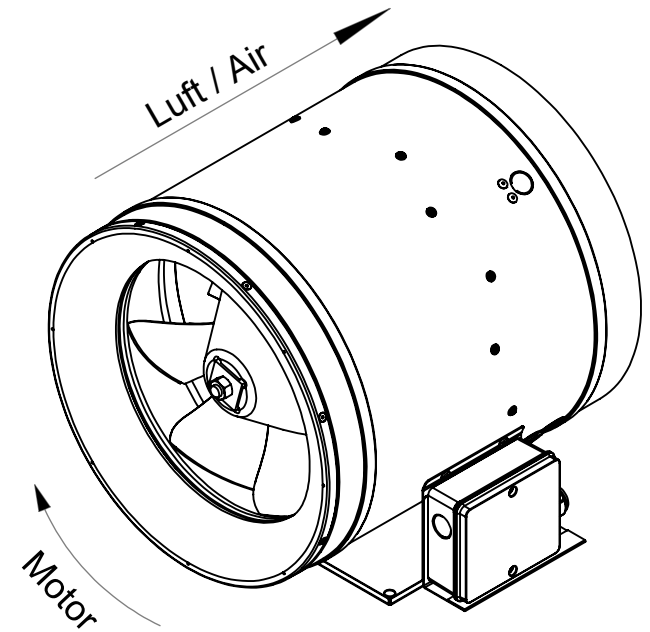
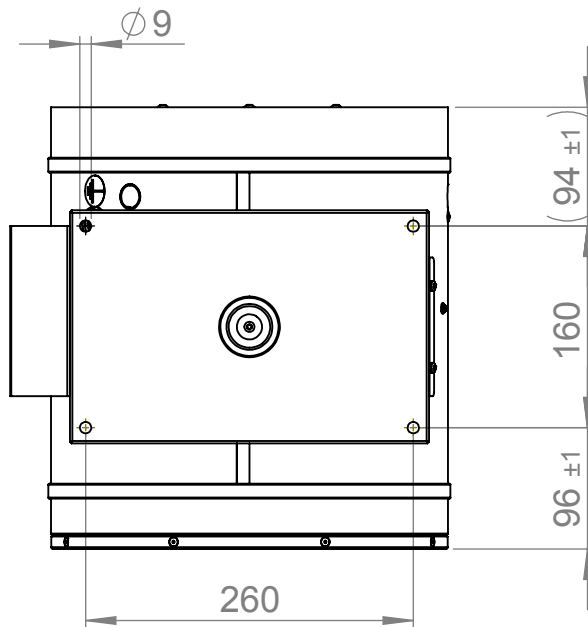
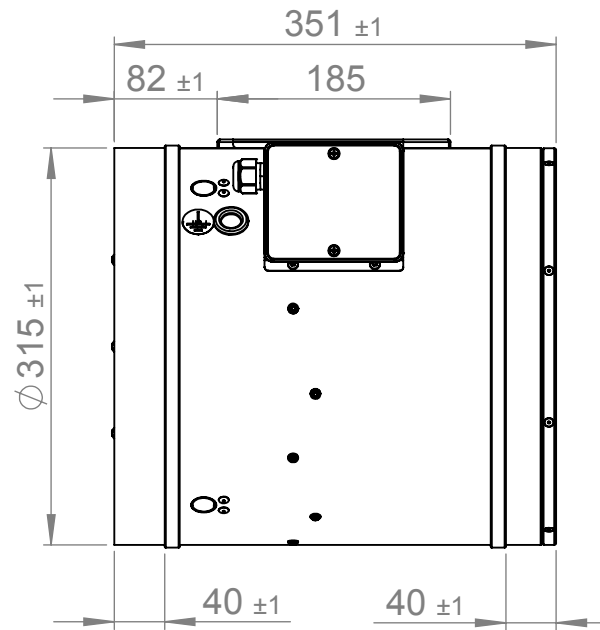
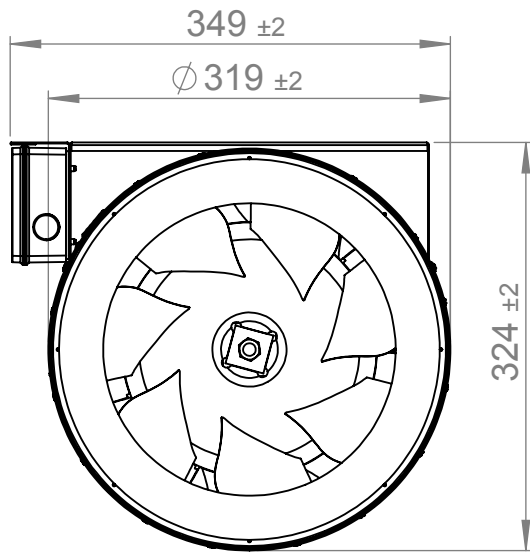
- Diagonal impeller with downstream three-dimensional guide vanes
- Galvanized metal housing
- Speed controllable
- Integrated thermostatic switch
- Including mounting bracket
- Externally ventilated motor

— ErP compliant range

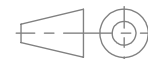
| Operating Point                        |       | 1    | 2    | 3    | 4    | 5    |
|--|-------|------|------|------|------|------|
| Current I                              | A     | 1,9  | 1,5  | 2,1  | 2,3  | 2,1  |
| Power consumption P <sub>i</sub>       | W     | 422  | 344  | 466  | 511  | 469  |
| Rotation speed n                       | 1/min | 2808 | 2852 | 2781 | 2758 | 2787 |
| SWL inlet L <sub>WA5</sub>             | dB(A) | 84   | 82   | 80   | 78   | 82   |
| SWL outlet L <sub>WA6</sub>            | dB(A) | 88   | 86   | 84   | 82   | 86   |
| SWL housing break out L <sub>WA2</sub> | dB(A) | 70   | 68   | 65   | 64   | 67   |

| Sound power (L <sub>W</sub> ) dB(A) |                  | Medium Frequency Band |    |     |     |     |    |    |    |    |
|-------------------------------------|------------------|-----------------------|----|-----|-----|-----|----|----|----|----|
|                                     |                  | Σ                     | 63 | 125 | 250 | 500 | 1k | 2k | 4k | 8k |
| Inlet                               | L <sub>WA5</sub> | 80                    | 47 | 63  | 70  | 75  | 75 | 73 | 69 | 60 |
| Outlet                              | L <sub>WA6</sub> | 84                    | 46 | 61  | 70  | 79  | 79 | 76 | 70 | 61 |
| Housing radiation                   | L <sub>WA2</sub> | 65                    | 48 | 50  | 53  | 58  | 59 | 60 | 55 | 45 |

| EL 315 E2 10   130320                      |          |
|--|----------|
| Voltage U <sub>N</sub>                     | 230 V 1~ |
| Current I <sub>max</sub>                   | 3,1 A    |
| Ambient temperature t <sub>A</sub>         | 60 °C    |
| Conveyed medium temperature t <sub>M</sub> | 80 °C    |
| Speed Control                              | V        |
| Motor protection                           | TMI      |
| Insulation class motor                     | F        |
| Weight                                     | 15,0 kg  |
| Number of poles                            | 2        |
| IP motor                                   | IP00     |
| IP terminal box                            | IP44     |
| IP complete unit                           | IPX4     |
| Min. operating temperature                 | -25 °C   |



ruck Ventilatoren  
 Max-Planck-Str. 5  
 D-97944 Boxberg



1:6 A4 mm

Protection Mark  
 according to ISO16016

General tolerances  
 DIN ISO 2768-mK

**EL315E210**

Drawn: s.pop  
 Created: s.pop  
 Changed: s.pop

30.05.14  
 30.05.14  
 30.05.14

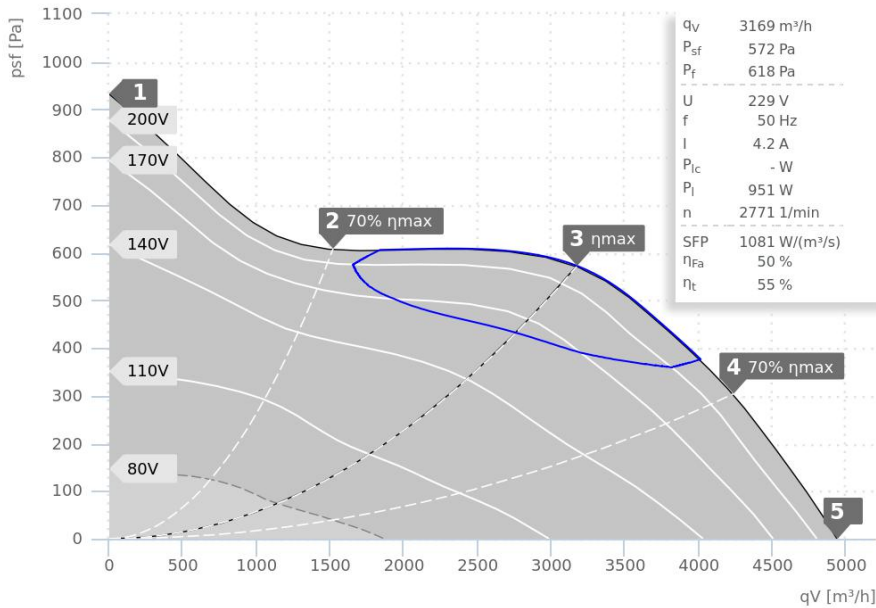
**130320 00**



# DATA SHEET

**ruck**.eu  
VENTILATOREN

EL 355 E2 01 | 112757



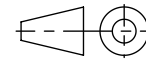
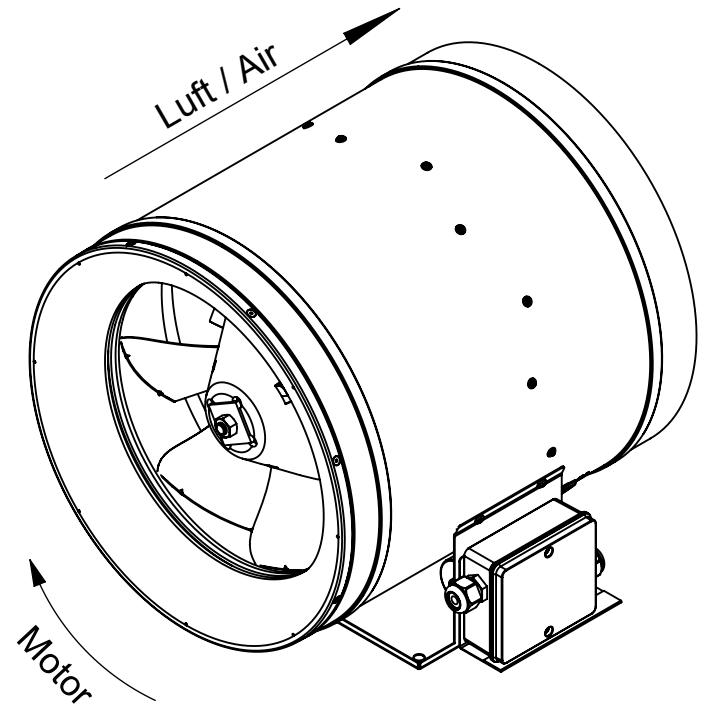
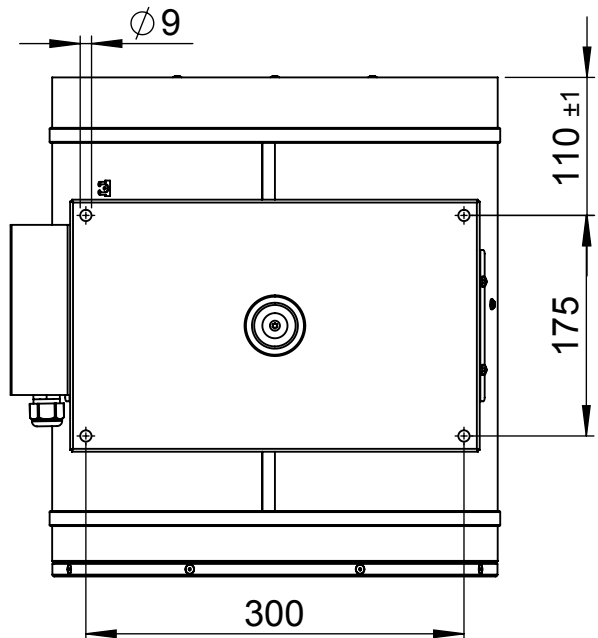
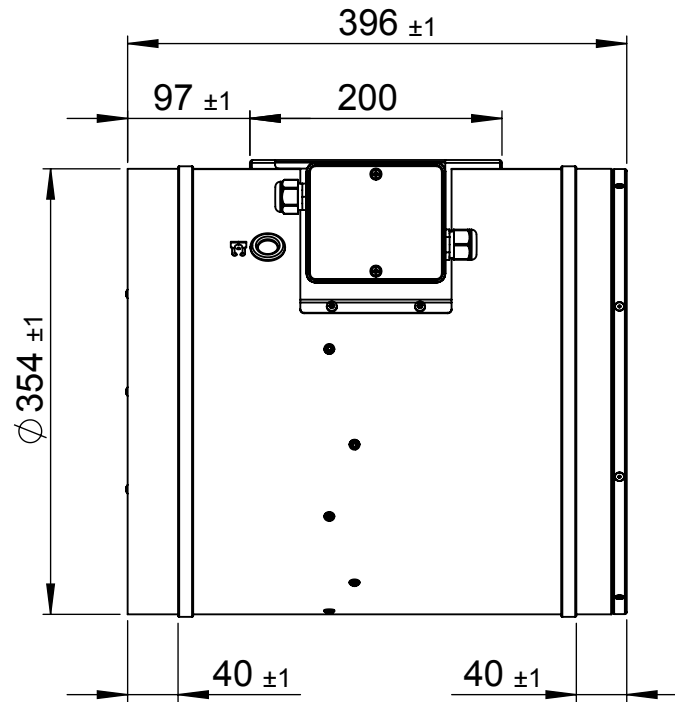
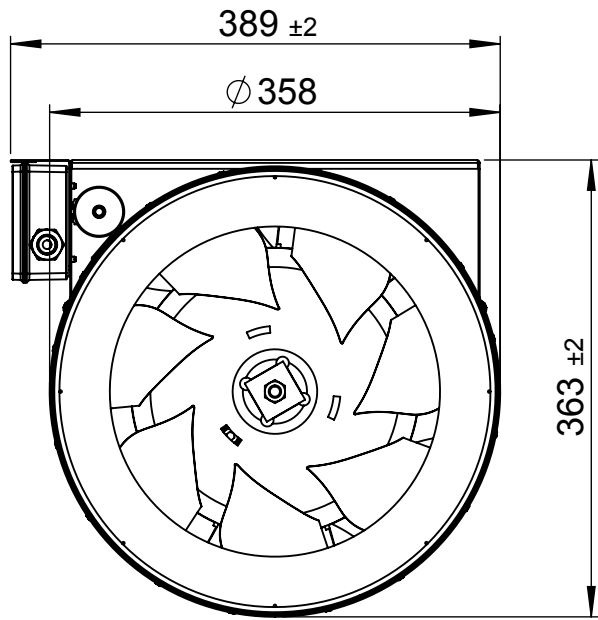
- Diagonal impeller with downstream three-dimensional guide vanes
- Galvanized metal housing
- Speed controllable
- Integrated thermostatic switch
- Including mounting bracket

— ErP compliant range

| Operating Point                        |       | 1    | 2    | 3    | 4    | 5    |
|--|-------|------|------|------|------|------|
| Current I                              | A     | 3,7  | 3,0  | 4,2  | 4,2  | 3,8  |
| Power consumption P <sub>i</sub>       | W     | 842  | 694  | 955  | 957  | 856  |
| Rotation speed n                       | 1/min | 2802 | 2866 | 2776 | 2776 | 2810 |
| SWL inlet L <sub>WA5</sub>             | dB(A) | 88   | 83   | 79   | 80   | 84   |
| SWL outlet L <sub>WA6</sub>            | dB(A) | 91   | 87   | 83   | 85   | 87   |
| SWL housing break out L <sub>WA2</sub> | dB(A) | 72   | 69   | 63   | 64   | 66   |

| Sound power (L <sub>W</sub> ) dB(A) |                  | Medium Frequency Band |    |     |     |     |    |    |    |    |
|-------------------------------------|------------------|-----------------------|----|-----|-----|-----|----|----|----|----|
|                                     |                  | Σ                     | 63 | 125 | 250 | 500 | 1k | 2k | 4k | 8k |
| Inlet                               | L <sub>WA5</sub> | 79                    | -  | 47  | 64  | 70  | 75 | 74 | 71 | 64 |
| Outlet                              | L <sub>WA6</sub> | 83                    | -  | 54  | 69  | 76  | 80 | 77 | 72 | 64 |
| Housing radiation                   | L <sub>WA2</sub> | 63                    | -  | 45  | 55  | 55  | 58 | 56 | 55 | 45 |

| EL 355 E2 01   112757                      |          |
|--|----------|
| Voltage U <sub>N</sub>                     | 230 V 1~ |
| Current I <sub>max</sub>                   | 5,4 A    |
| Ambient temperature t <sub>A</sub>         | 45 °C    |
| Conveyed medium temperature t <sub>M</sub> | 45 °C    |
| Speed Control                              | V        |
| Motor protection                           | TMI      |
| Insulation class motor                     | F        |
| Weight                                     | 17,3 kg  |
| Number of poles                            | 2        |
| IP motor                                   | IP00     |
| IP terminal box                            | IP44     |
| IP complete unit                           | -        |
| Min. operating temperature                 | -25 °C   |



1:6 A4 mm

**ruck**<sup>eu</sup>  
VENTILATOREN

ruck Ventilatoren  
Max-Planck-Str. 5  
D-97944 Boxberg

Protection Mark  
according to ISO16016

Drawn: d.huegel  
Created: sy  
Changed: a.muehleck

General tolerances  
DIN ISO 2768-mK

15.06.11  
26.06.06  
05.02.13

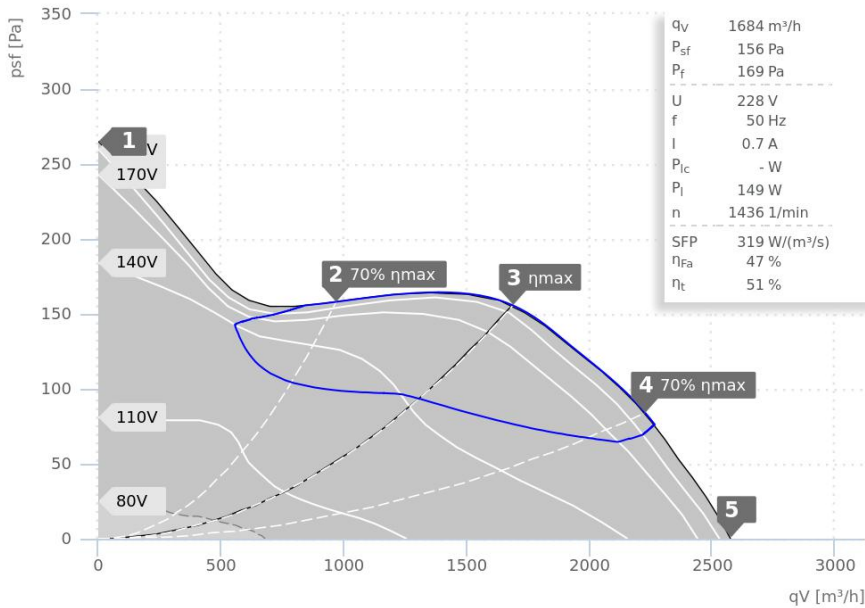
**EL355E201+**

**112757 04**

**VENTAS**  
VENTILATOREN

# DATA SHEET

EL 355 E4 01 | 112369



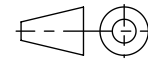
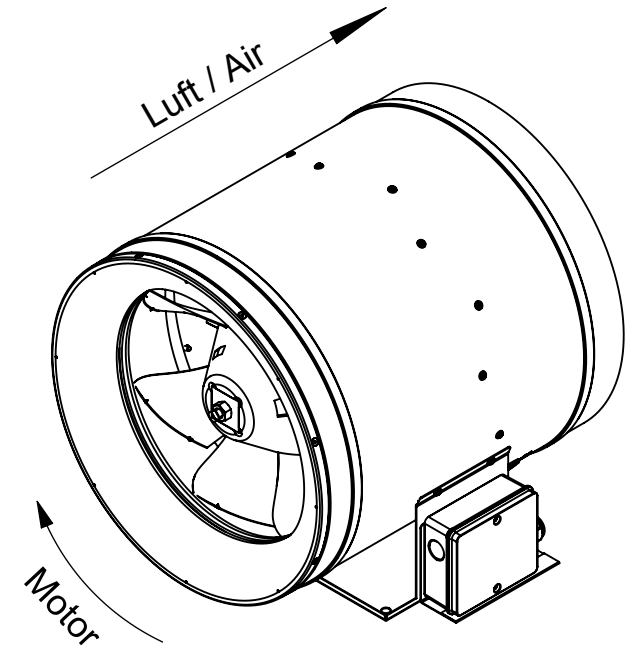
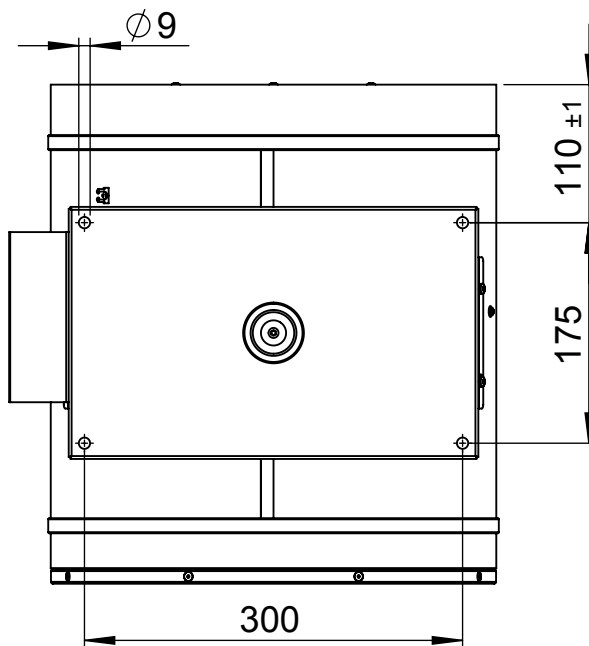
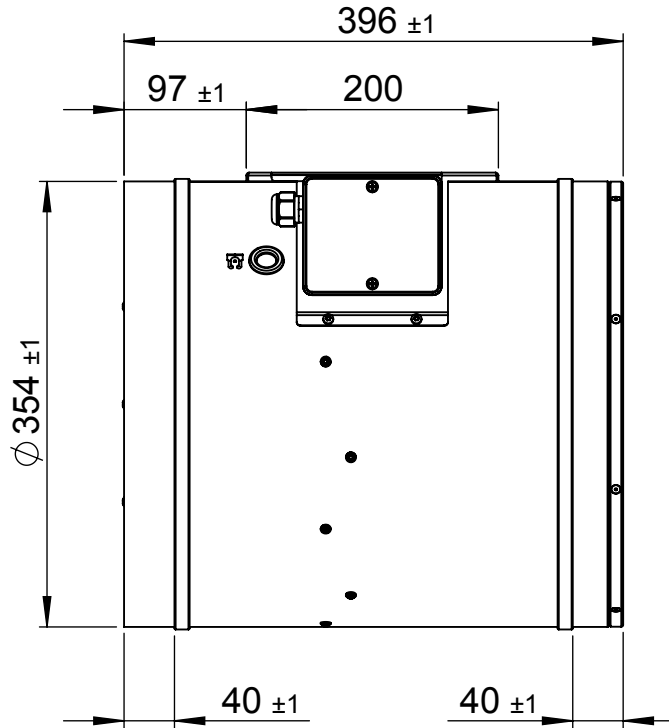
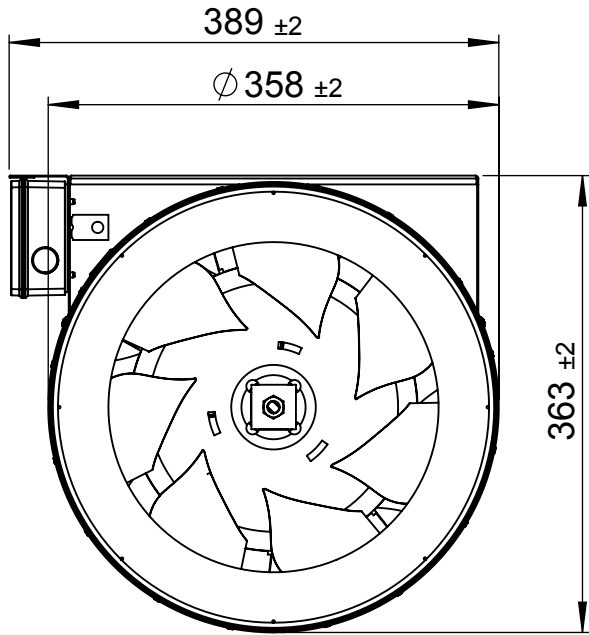
- Diagonal impeller with downstream three-dimensional guide vanes
- Galvanized metal housing
- Speed controllable
- Integrated thermostatic switch
- Including mounting bracket

— ErP compliant range

| Operating Point                        |       | 1    | 2    | 3    | 4    | 5    |
|--|-------|------|------|------|------|------|
| Current I                              | A     | 0,6  | 0,6  | 0,7  | 0,7  | 0,6  |
| Power consumption P <sub>i</sub>       | W     | 142  | 126  | 150  | 151  | 140  |
| Rotation speed n                       | 1/min | 1441 | 1455 | 1438 | 1437 | 1447 |
| SWL inlet L <sub>WA5</sub>             | dB(A) | 72   | 68   | 64   | 66   | 69   |
| SWL outlet L <sub>WA6</sub>            | dB(A) | 76   | 70   | 67   | 69   | 71   |
| SWL housing break out L <sub>WA2</sub> | dB(A) | 55   | 51   | 48   | 49   | 52   |

| Sound power (L <sub>W</sub> ) dB(A) |                  | Medium Frequency Band |    |     |     |     |    |    |    |    |
|-------------------------------------|------------------|-----------------------|----|-----|-----|-----|----|----|----|----|
|                                     |                  | Σ                     | 63 | 125 | 250 | 500 | 1k | 2k | 4k | 8k |
| Inlet                               | L <sub>WA5</sub> | 64                    | -  | 44  | 55  | 58  | 60 | 57 | 55 | 44 |
| Outlet                              | L <sub>WA6</sub> | 67                    | -  | 54  | 56  | 62  | 63 | 57 | 53 | 40 |
| Housing radiation                   | L <sub>WA2</sub> | 48                    | -  | 42  | 39  | 40  | 43 | 39 | 39 | 25 |

| EL 355 E4 01   112369                      |          |
|--|----------|
| Voltage U <sub>N</sub>                     | 230 V 1~ |
| Current I <sub>max</sub>                   | 1,0 A    |
| Ambient temperature t <sub>A</sub>         | 80 °C    |
| Conveyed medium temperature t <sub>M</sub> | 80 °C    |
| Speed Control                              | V        |
| Motor protection                           | TMI      |
| Insulation class motor                     | F        |
| Weight                                     | 13,5 kg  |
| Number of poles                            | 4        |
| IP motor                                   | IP00     |
| IP terminal box                            | IP44     |
| IP complete unit                           | IPX4     |
| Min. operating temperature                 | -25 °C   |



1:6 A4 mm

**ruck**<sup>EU</sup>  
 VENTILATOREN

Protection Mark  
 according to ISO16016

General tolerances  
 DIN ISO 2768-mK

**EL355E401+**

ruck Ventilatoren  
 Max-Planck-Str. 5  
 D-97944 Boxberg

Drawn: m.ruf  
 Created: sy  
 Changed: a.muehleck

28.08.07  
 26.06.06  
 05.02.13

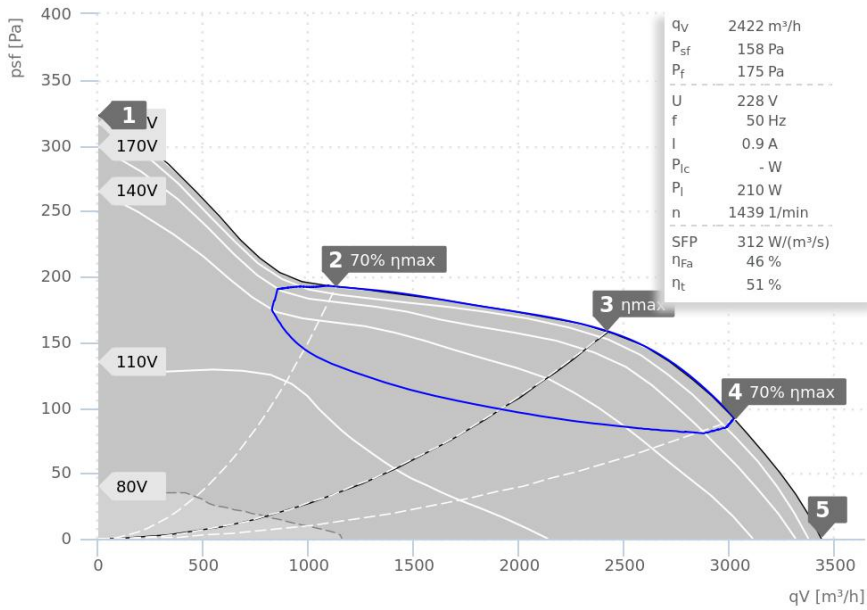
**112369 03**

**VENTAS**  
 VENTILATORER



# DATA SHEET

EL 400 E4 01 | 119380



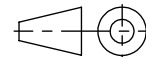
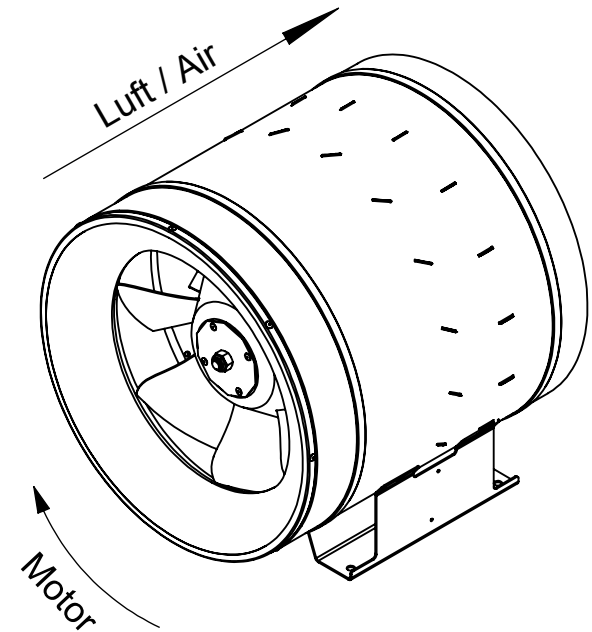
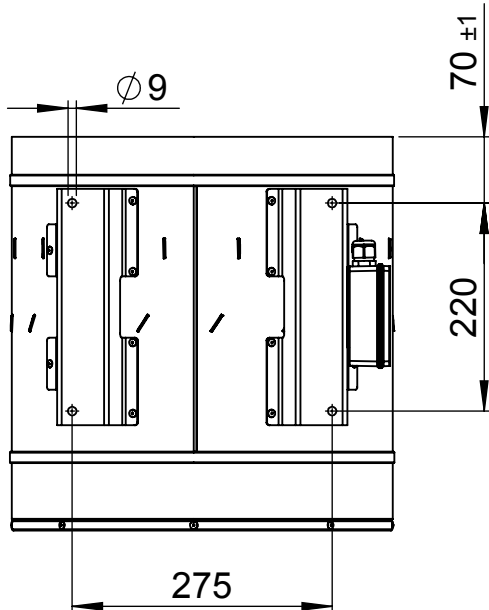
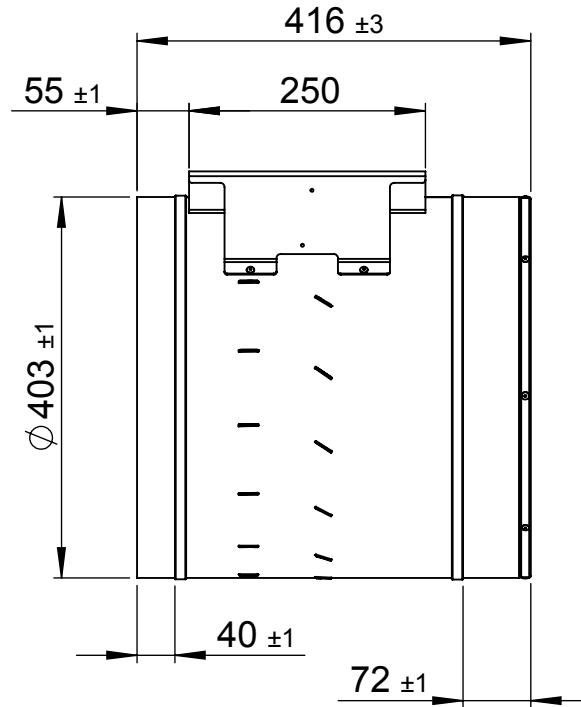
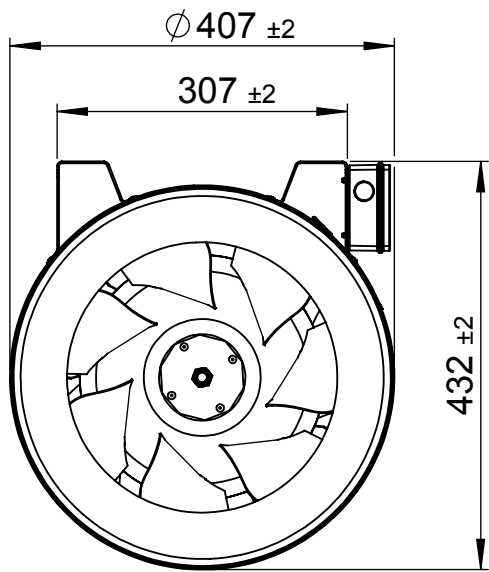
- Diagonal impeller with downstream three-dimensional guide vanes
- Aluminum housing
- Speed controllable
- Integrated thermostatic switch
- Including mounting bracket

— ErP compliant range

| Operating Point                        |       | 1    | 2    | 3    | 4    | 5    |
|--|-------|------|------|------|------|------|
| Current I                              | A     | 0,9  | 0,8  | 0,9  | 0,9  | 0,9  |
| Power consumption P <sub>i</sub>       | W     | 197  | 169  | 211  | 214  | 195  |
| Rotation speed n                       | 1/min | 1443 | 1454 | 1440 | 1440 | 1448 |
| SWL inlet L <sub>WA5</sub>             | dB(A) | 76   | 74   | 70   | 73   | 75   |
| SWL outlet L <sub>WA6</sub>            | dB(A) | 80   | 78   | 75   | 77   | 78   |
| SWL housing break out L <sub>WA2</sub> | dB(A) | 65   | 63   | 61   | 63   | 63   |

| Sound power (L <sub>W</sub> ) dB(A) |                  | Medium Frequency Band |    |     |     |     |    |    |    |    |
|-------------------------------------|------------------|-----------------------|----|-----|-----|-----|----|----|----|----|
|                                     |                  | Σ                     | 63 | 125 | 250 | 500 | 1k | 2k | 4k | 8k |
| Inlet                               | L <sub>WA5</sub> | 70                    | -  | 49  | 56  | 67  | 64 | 63 | 57 | 47 |
| Outlet                              | L <sub>WA6</sub> | 75                    | -  | 60  | 60  | 71  | 70 | 65 | 60 | 50 |
| Housing radiation                   | L <sub>WA2</sub> | 61                    | -  | 48  | 44  | 58  | 57 | 49 | 48 | 37 |

| EL 400 E4 01   119380                      |          |
|--|----------|
| Voltage U <sub>N</sub>                     | 230 V 1~ |
| Current I <sub>max</sub>                   | 1,5 A    |
| Ambient temperature t <sub>A</sub>         | 80 °C    |
| Conveyed medium temperature t <sub>M</sub> | 80 °C    |
| Speed Control                              | V        |
| Motor protection                           | TMI      |
| Insulation class motor                     | F        |
| Weight                                     | 12,8 kg  |
| Number of poles                            | 4        |
| IP motor                                   | IP00     |
| IP terminal box                            | IP44     |
| IP complete unit                           | IPX4     |
| Min. operating temperature                 | -25 °C   |



1:8 A4 mm

**ruck**<sup>EU</sup>  
VENTILATOREN

ruck Ventilatoren  
Max-Planck-Str. 5  
D-97944 Boxberg

Protection Mark  
according to ISO16016

Drawn: d.huegel  
Created: d.huegel  
Changed: a.muehleck

General tolerances  
DIN ISO 2768-mK

31.03.09  
18.11.08  
05.02.13

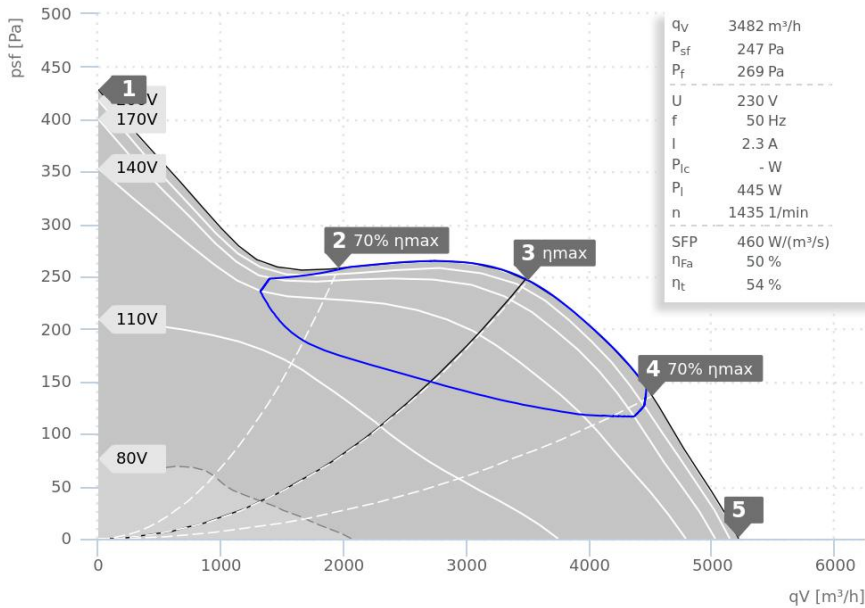
**EL400E401+**

**119380 02**

**VENTAS**  
VENTILATORER

# DATA SHEET

EL 450 E4 01 | 119336



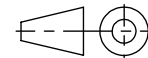
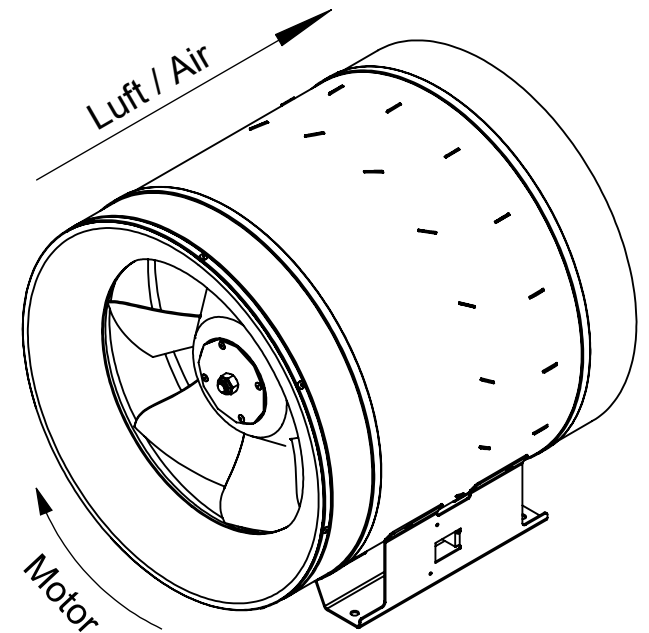
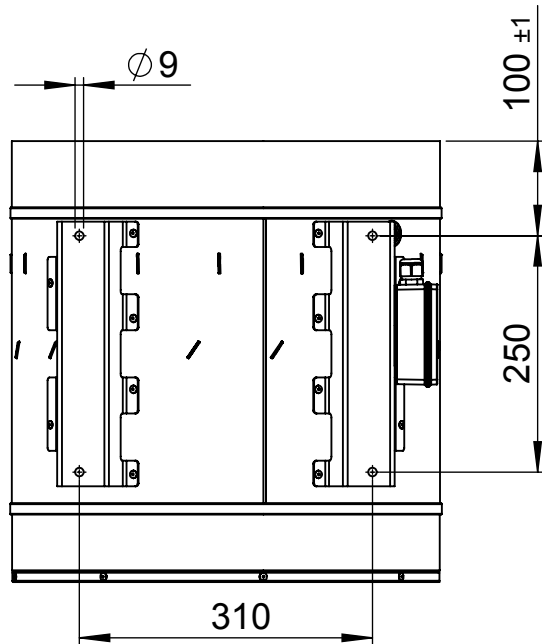
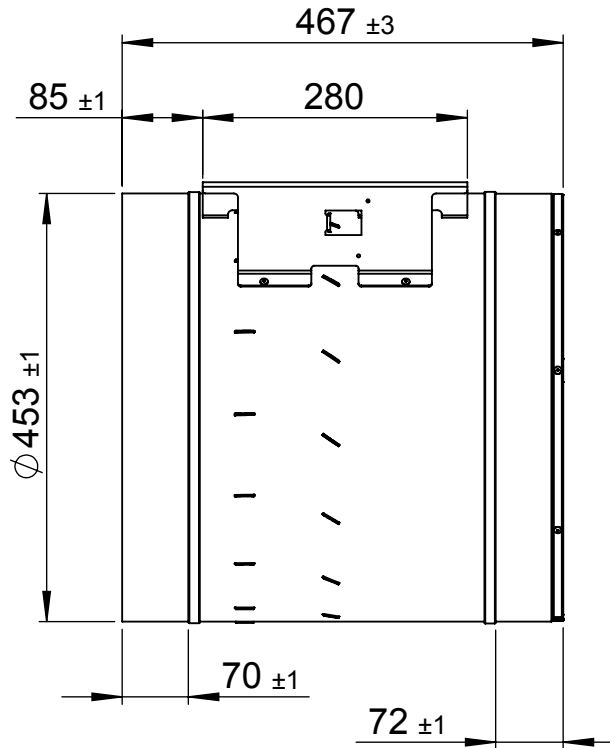
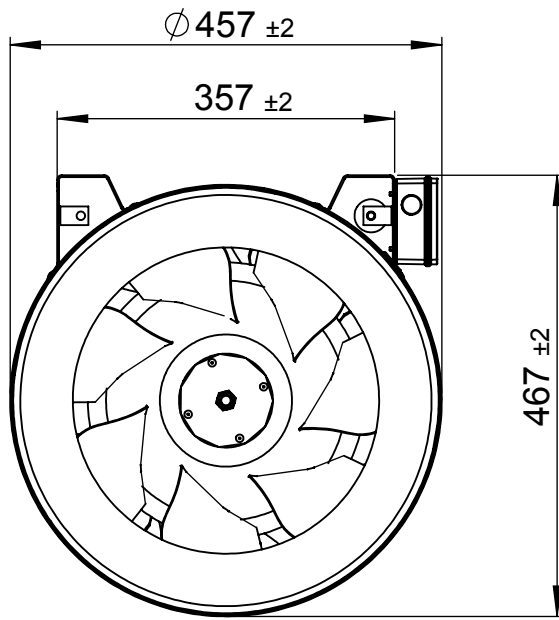
- Diagonal impeller with downstream three-dimensional guide vanes
- Aluminum housing
- Speed controllable
- Integrated thermostatic switch
- Including mounting bracket

— ErP compliant range

| Operating Point                        |       | 1    | 2    | 3    | 4    | 5    |
|--|-------|------|------|------|------|------|
| Current I                              | A     | 2,2  | 2,1  | 2,3  | 2,4  | 2,2  |
| Power consumption P <sub>i</sub>       | W     | 417  | 374  | 445  | 449  | 411  |
| Rotation speed n                       | 1/min | 1435 | 1450 | 1435 | 1435 | 1445 |
| SWL inlet L <sub>WA5</sub>             | dB(A) | 81   | 70   | 72   | 76   | 78   |
| SWL outlet L <sub>WA6</sub>            | dB(A) | 85   | 80   | 77   | 79   | 82   |
| SWL housing break out L <sub>WA2</sub> | dB(A) | 74   | 70   | 66   | 70   | 72   |

| Sound power (L <sub>W</sub> ) dB(A) |                  | Medium Frequency Band |    |     |     |     |    |    |    |    |
|-------------------------------------|------------------|-----------------------|----|-----|-----|-----|----|----|----|----|
|                                     |                  | Σ                     | 63 | 125 | 250 | 500 | 1k | 2k | 4k | 8k |
| Inlet                               | L <sub>WA5</sub> | 72                    | -  | 55  | 62  | 65  | 67 | 65 | 59 | 50 |
| Outlet                              | L <sub>WA6</sub> | 77                    | -  | 64  | 65  | 72  | 73 | 67 | 62 | 52 |
| Housing radiation                   | L <sub>WA2</sub> | 66                    | -  | 52  | 59  | 61  | 62 | 56 | 50 | 39 |

| EL 450 E4 01   119336                      |          |
|--|----------|
| Voltage U <sub>N</sub>                     | 230 V 1~ |
| Current I <sub>max</sub>                   | 3,1 A    |
| Ambient temperature t <sub>A</sub>         | 80 °C    |
| Conveyed medium temperature t <sub>M</sub> | 80 °C    |
| Speed Control                              | V        |
| Motor protection                           | TAO      |
| Insulation class motor                     | F        |
| Weight                                     | 18,4 kg  |
| Number of poles                            | 4        |
| IP motor                                   | IP54     |
| IP terminal box                            | IP44     |
| IP complete unit                           | IPX4     |
| Min. operating temperature                 | -25 °C   |



1:8 A4 mm

**ruck**<sup>EU</sup>  
VENTILATOREN

ruck Ventilatoren  
Max-Planck-Str. 5  
D-97944 Boxberg

Protection Mark  
according to ISO16016

Drawn: d.huegel  
Created: d.huegel  
Changed: a.muehleck

General tolerances  
DIN ISO 2768-mK

26.03.09  
13.11.08  
05.02.13

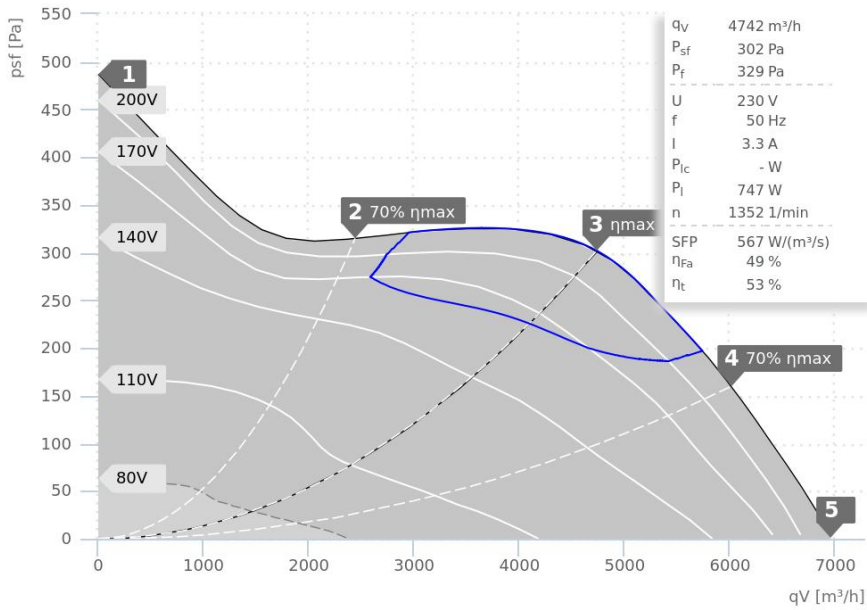
**EL450E401+**

**119336 02**

**VENTAS**  
VENTILATORER

# DATA SHEET

EL 500 E4 01 | 118061



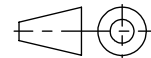
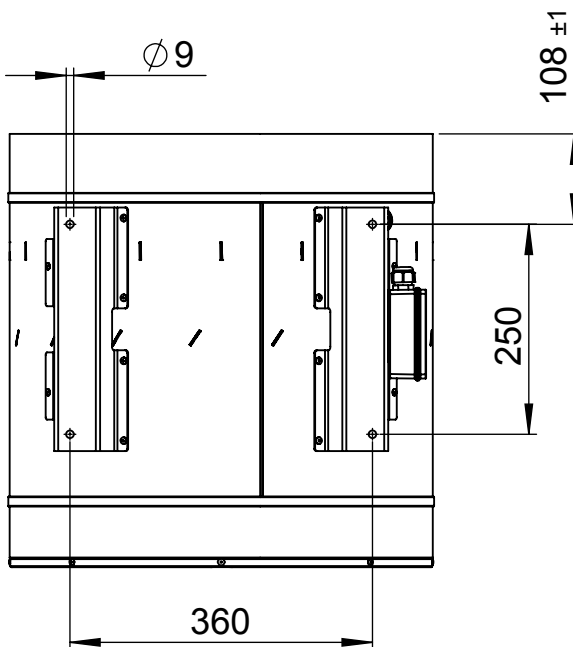
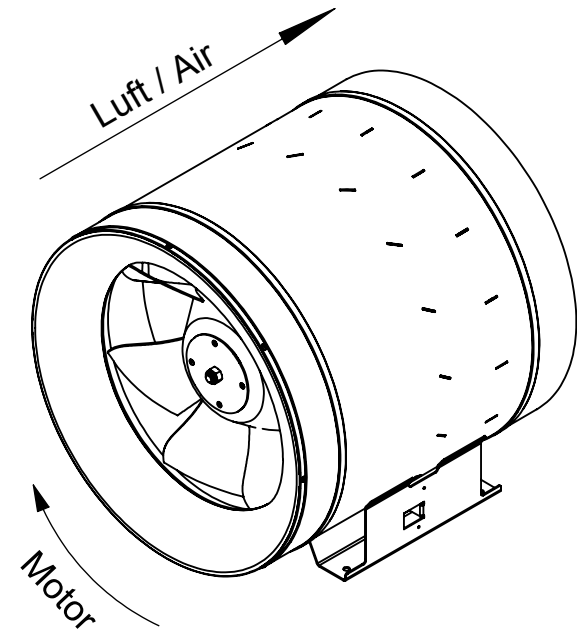
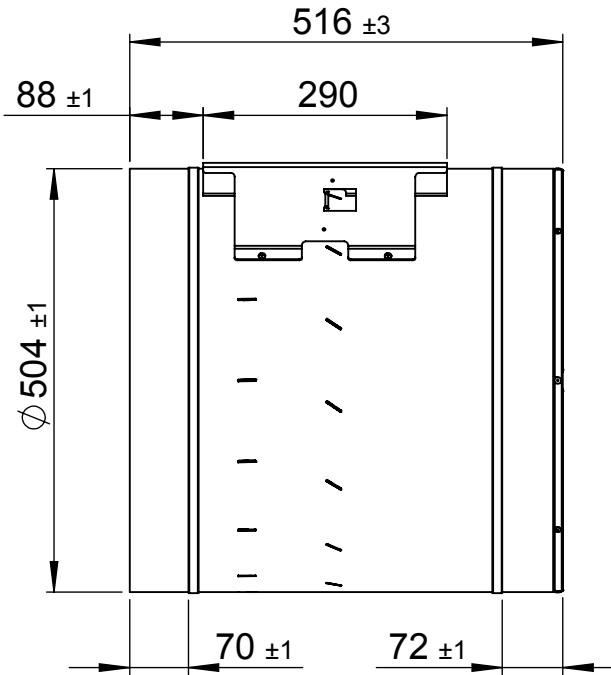
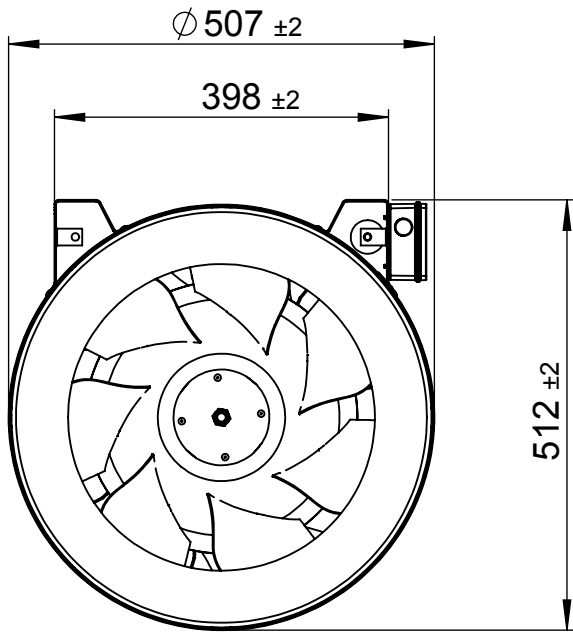
- Diagonal impeller with downstream three-dimensional guide vanes
- Aluminum housing
- Speed controllable
- Integrated thermostatic switch
- Including mounting bracket

— ErP compliant range

| Operating Point                        |       | 1    | 2    | 3    | 4    | 5    |
|--|-------|------|------|------|------|------|
| Current I                              | A     | 3,0  | 2,6  | 3,3  | 3,2  | 2,9  |
| Power consumption P <sub>1</sub>       | W     | 666  | 576  | 748  | 715  | 642  |
| Rotation speed n                       | 1/min | 1360 | 1398 | 1352 | 1367 | 1385 |
| SWL inlet L <sub>WA5</sub>             | dB(A) | 83   | 78   | 75   | 77   | 81   |
| SWL outlet L <sub>WA6</sub>            | dB(A) | 86   | 80   | 77   | 79   | 83   |
| SWL housing break out L <sub>WA2</sub> | dB(A) | 76   | 72   | 68   | 70   | 73   |

| Sound power (L <sub>W</sub> ) dB(A) |                  | Medium Frequency Band |    |     |     |     |    |    |    |    |
|-------------------------------------|------------------|-----------------------|----|-----|-----|-----|----|----|----|----|
|                                     |                  | Σ                     | 63 | 125 | 250 | 500 | 1k | 2k | 4k | 8k |
| Inlet                               | L <sub>WA5</sub> | 75                    | 29 | 60  | 66  | 70  | 71 | 67 | 63 | 52 |
| Outlet                              | L <sub>WA6</sub> | 77                    | 29 | 65  | 66  | 73  | 71 | 67 | 63 | 52 |
| Housing radiation                   | L <sub>WA2</sub> | 68                    | -  | 47  | 61  | 65  | 63 | 58 | 53 | 39 |

| EL 500 E4 01   118061                      |          |
|--|----------|
| Voltage U <sub>N</sub>                     | 230 V 1~ |
| Current I <sub>max</sub>                   | 4,2 A    |
| Ambient temperature t <sub>A</sub>         | 80 °C    |
| Conveyed medium temperature t <sub>M</sub> | 80 °C    |
| Speed Control                              | V        |
| Motor protection                           | TAO      |
| Insulation class motor                     | F        |
| Weight                                     | 23,2 kg  |
| Number of poles                            | 4        |
| IP motor                                   | IP54     |
| IP terminal box                            | IP44     |
| IP complete unit                           | IPX4     |
| Min. operating temperature                 | -25 °C   |



1:9 A4 mm

**ruck**<sup>EU</sup>  
VENTILATOREN

Protection Mark  
according to ISO 16016

General tolerances  
DIN ISO 2768-mK

**EL500E401+**

ruck Ventilatoren  
Max-Planck-Str. 5  
D-97944 Boxberg

Drawn: d.huegel  
Created: p.riegler  
Changed: a.muehleck

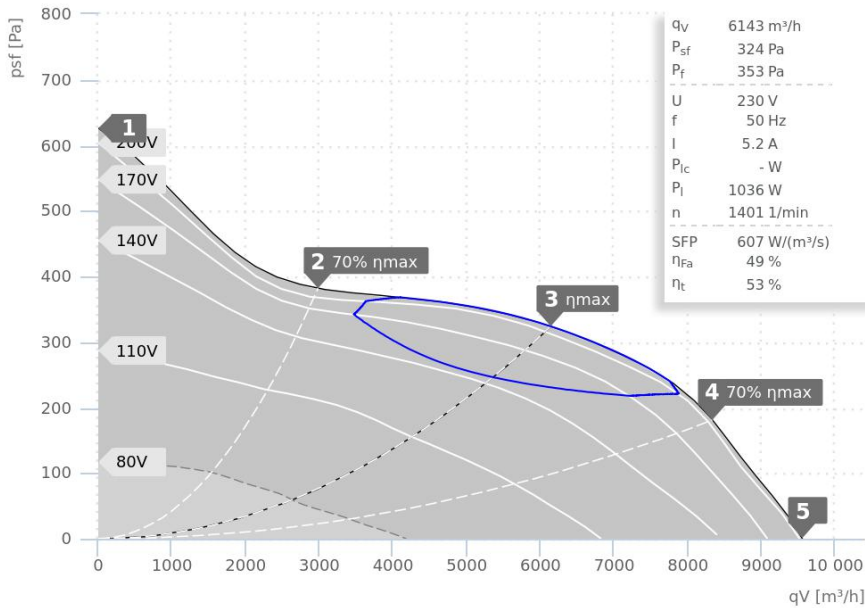
24.03.09  
10.04.08  
05.02.13

**118061 02**

**VENTAS**  
VENTILATORER

# DATA SHEET

EL 560 E4 01 | 119349



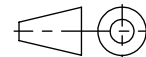
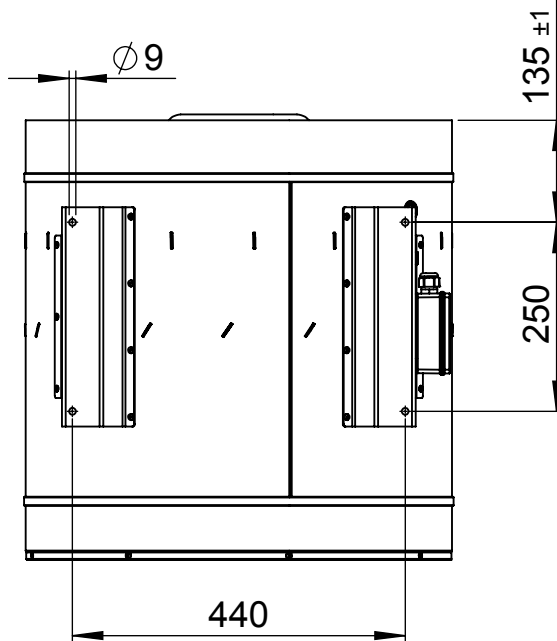
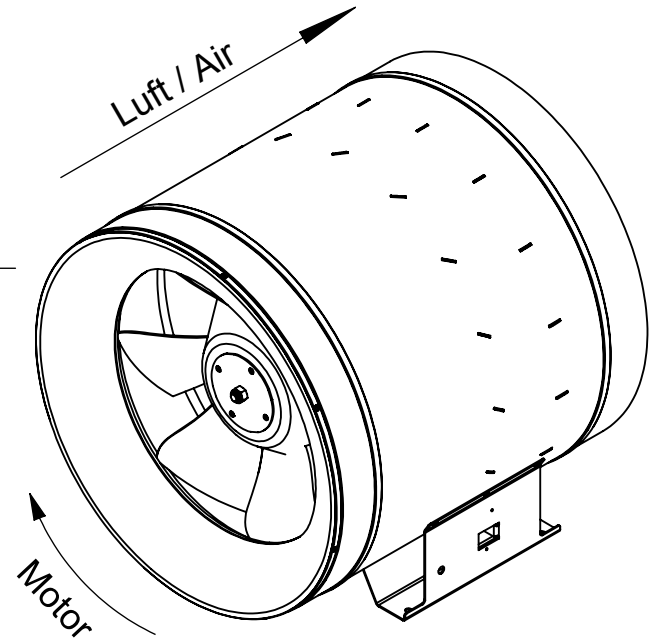
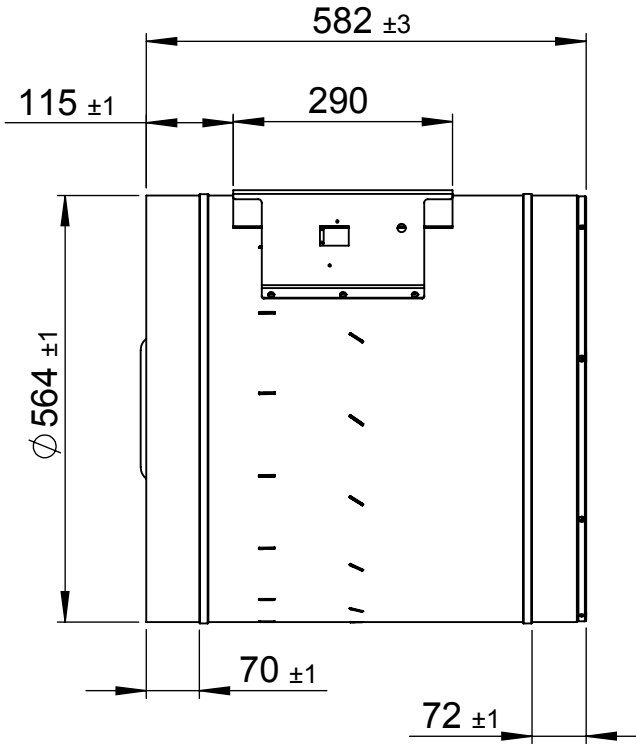
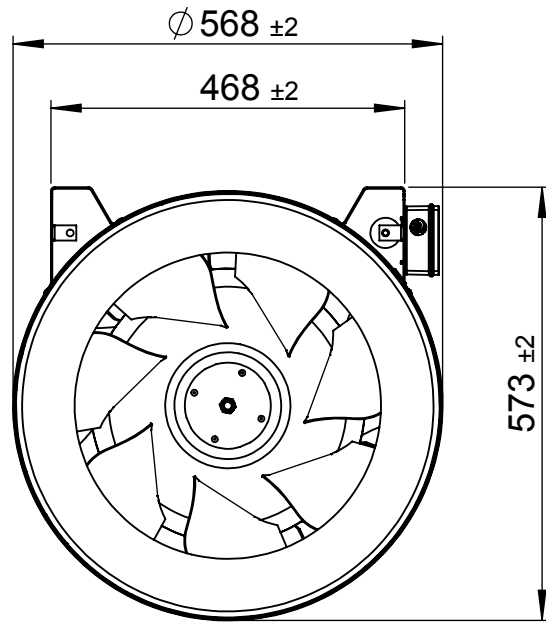
- Diagonal impeller with downstream three-dimensional guide vanes
- Aluminum housing
- Speed controllable
- Integrated thermostatic switch
- Including mounting bracket

— ErP compliant range

| Operating Point                        |       | 1    | 2    | 3    | 4    | 5    |
|--|-------|------|------|------|------|------|
| Current I                              | A     | 5,2  | 4,4  | 5,2  | 5,5  | 5,0  |
| Power consumption P <sub>i</sub>       | W     | 1032 | 844  | 1035 | 1108 | 1002 |
| Rotation speed n                       | 1/min | 1391 | 1426 | 1401 | 1388 | 1406 |
| SWL inlet L <sub>WA5</sub>             | dB(A) | 88   | 86   | 83   | 84   | 88   |
| SWL outlet L <sub>WA6</sub>            | dB(A) | 92   | 89   | 87   | 86   | 89   |
| SWL housing break out L <sub>WA2</sub> | dB(A) | 82   | 81   | 79   | 79   | 81   |

| Sound power (L <sub>W</sub> ) dB(A) |                  | Medium Frequency Band |    |     |     |     |    |    |    |    |
|-------------------------------------|------------------|-----------------------|----|-----|-----|-----|----|----|----|----|
|                                     |                  | Σ                     | 63 | 125 | 250 | 500 | 1k | 2k | 4k | 8k |
| Inlet                               | L <sub>WA5</sub> | 83                    | -  | 68  | 78  | 78  | 76 | 75 | 69 | 59 |
| Outlet                              | L <sub>WA6</sub> | 87                    | -  | 72  | 81  | 84  | 78 | 75 | 70 | 61 |
| Housing radiation                   | L <sub>WA2</sub> | 79                    | -  | 69  | 76  | 75  | 67 | 65 | 58 | 50 |

| EL 560 E4 01   119349                      |          |
|--|----------|
| Voltage U <sub>N</sub>                     | 230 V 1~ |
| Current I <sub>max</sub>                   | 7,6 A    |
| Ambient temperature t <sub>A</sub>         | 80 °C    |
| Conveyed medium temperature t <sub>M</sub> | 80 °C    |
| Speed Control                              | V        |
| Motor protection                           | TAO      |
| Insulation class motor                     | F        |
| Weight                                     | 38,0 kg  |
| Number of poles                            | 4        |
| IP motor                                   | IP54     |
| IP terminal box                            | IP44     |
| IP complete unit                           | IPX4     |
| Min. operating temperature                 | -25 °C   |



1:10 A4 mm

**ruck**<sup>EU</sup>  
VENTILATOREN

ruck Ventilatoren  
Max-Planck-Str. 5  
D-97944 Boxberg

Protection Mark  
according to ISO16016

Drawn: d.huegel  
Created: d.huegel  
Changed: a.muehleck

General tolerances  
DIN ISO 2768-mK

13.03.09  
14.11.08  
05.02.13

**EL560E401+**

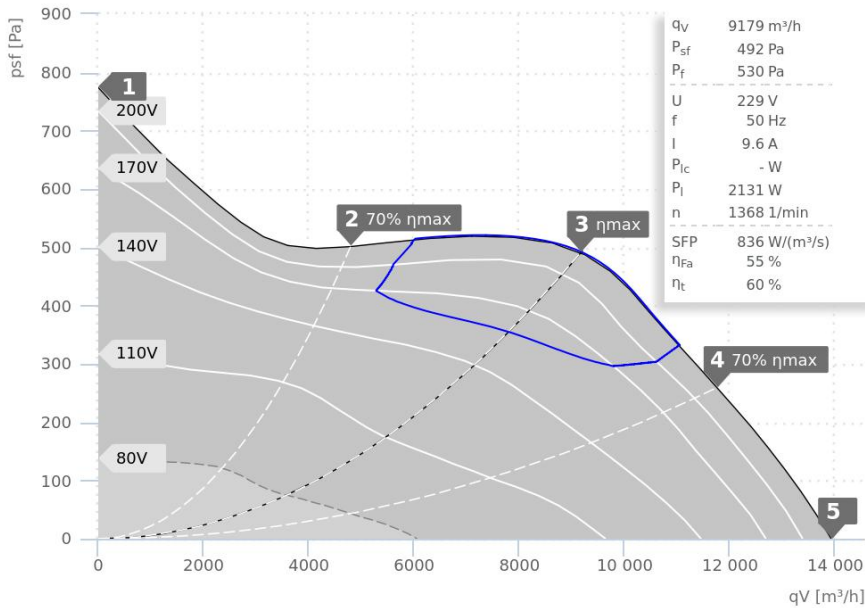
**119349 03**

**VENTAS**  
VENTILATORER



# DATA SHEET

EL 630 E4 01 | 119324



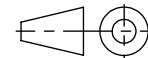
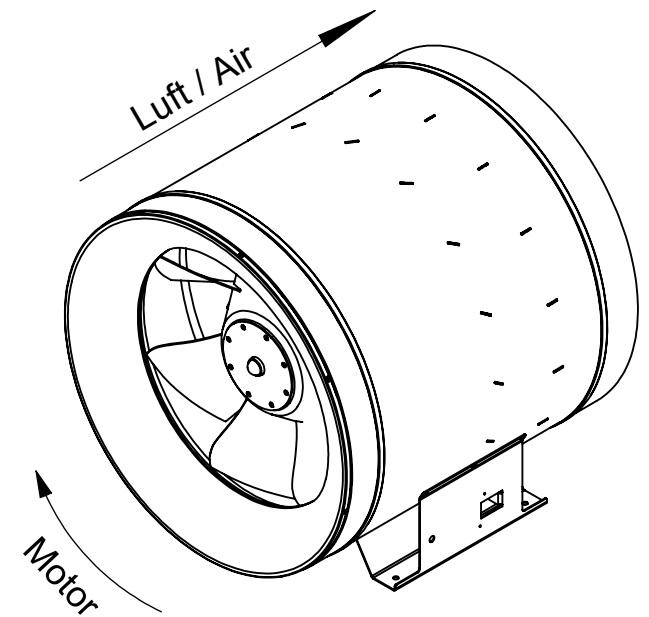
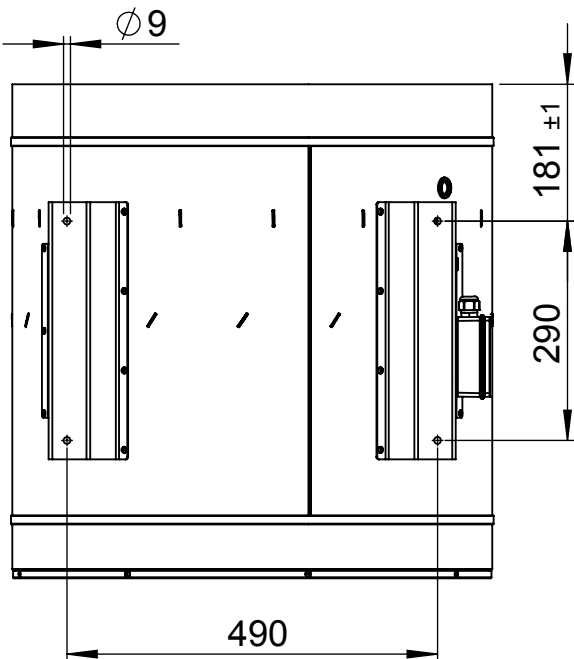
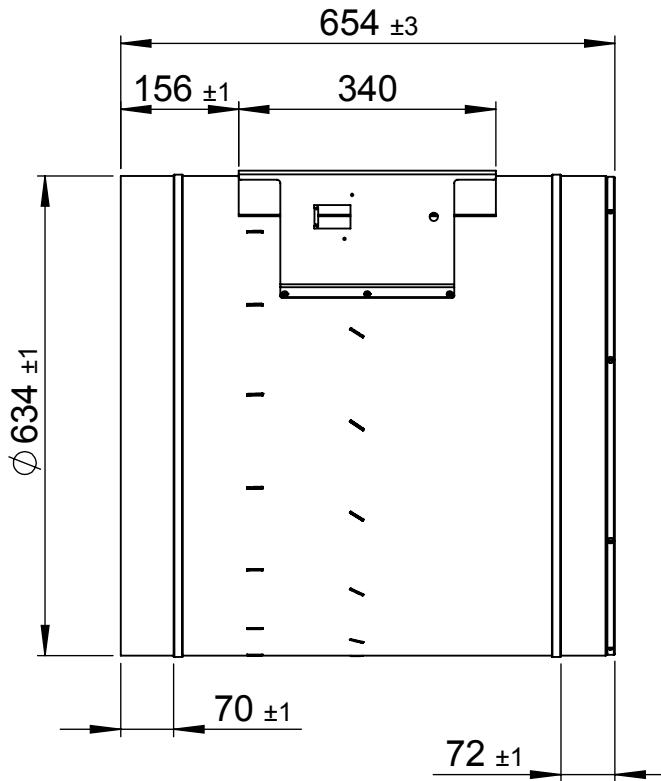
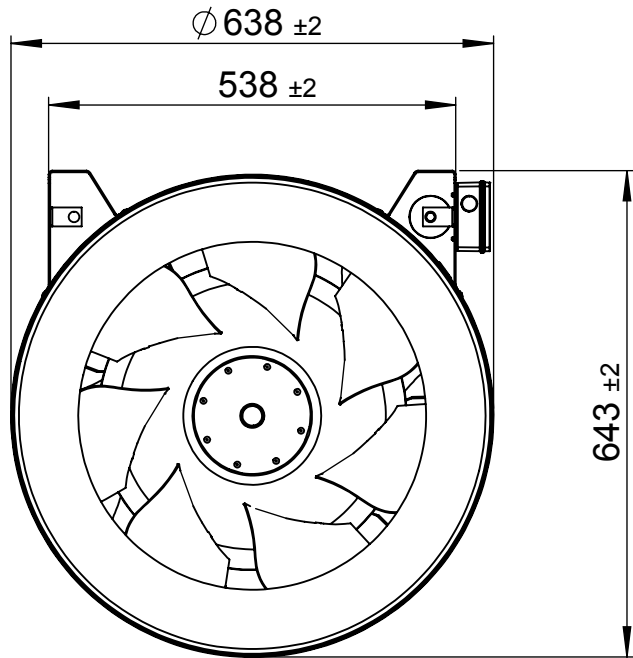
- Diagonal impeller with downstream three-dimensional guide vanes
- Aluminum housing
- Speed controllable
- Integrated thermostatic switch
- Including mounting bracket

— ErP compliant range

| Operating Point                        |       | 1    | 2    | 3    | 4    | 5    |
|--|-------|------|------|------|------|------|
| Current I                              | A     | 8,9  | 7,5  | 9,6  | 9,3  | 8,5  |
| Power consumption P <sub>i</sub>       | W     | 1902 | 1645 | 2140 | 2050 | 1864 |
| Rotation speed n                       | 1/min | 1366 | 1413 | 1371 | 1381 | 1401 |
| SWL inlet L <sub>WA5</sub>             | dB(A) | 91   | 89   | 84   | 86   | 88   |
| SWL outlet L <sub>WA6</sub>            | dB(A) | 94   | 90   | 86   | 88   | 90   |
| SWL housing break out L <sub>WA2</sub> | dB(A) | 84   | 81   | 77   | 78   | 80   |

| Sound power (L <sub>W</sub> ) dB(A) |                  | Medium Frequency Band |    |     |     |     |    |    |    |    |
|-------------------------------------|------------------|-----------------------|----|-----|-----|-----|----|----|----|----|
|                                     |                  | Σ                     | 63 | 125 | 250 | 500 | 1k | 2k | 4k | 8k |
| Inlet                               | L <sub>WA5</sub> | 84                    | -  | 69  | 75  | 79  | 78 | 75 | 68 | 61 |
| Outlet                              | L <sub>WA6</sub> | 86                    | -  | 72  | 78  | 83  | 80 | 77 | 73 | 62 |
| Housing radiation                   | L <sub>WA2</sub> | 77                    | -  | 67  | 73  | 72  | 68 | 66 | 60 | 49 |

| EL 630 E4 01   119324                      |          |
|--|----------|
| Voltage U <sub>N</sub>                     | 230 V 1~ |
| Current I <sub>max</sub>                   | 11,4 A   |
| Ambient temperature t <sub>A</sub>         | 50 °C    |
| Conveyed medium temperature t <sub>M</sub> | 50 °C    |
| Speed Control                              | V        |
| Motor protection                           | TAO      |
| Insulation class motor                     | F        |
| Weight                                     | 43,1 kg  |
| Number of poles                            | 4        |
| IP motor                                   | IP20     |
| IP terminal box                            | IP44     |
| IP complete unit                           | IPX4     |
| Min. operating temperature                 | -25 °C   |



1:10 A4 mm

**ruck**<sup>EU</sup>  
VENTILATOREN

ruck Ventilatoren  
Max-Planck-Str. 5  
D-97944 Boxberg

Protection Mark  
according to ISO16016

Drawn: d.huegel  
Created: d.huegel  
Changed: a.muehleck

General tolerances  
DIN ISO 2768-mK

12.03.09  
13.11.08  
05.02.13

**EL630E401+**

**119324 03**

**VENTAS**  
VENTILATOREN