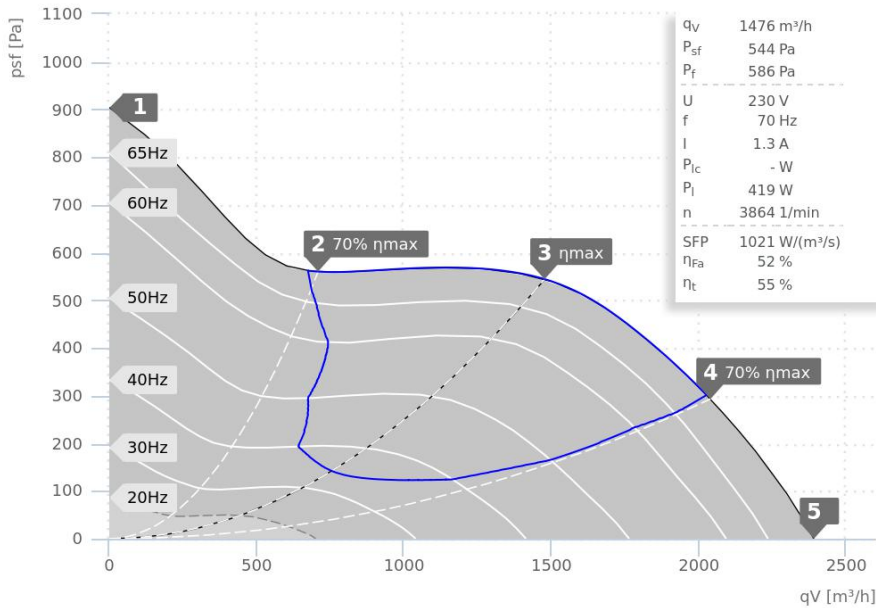


DATA SHEET

ruck.eu
VENTILATOREN

EL 250 D2 01 | 118980



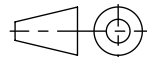
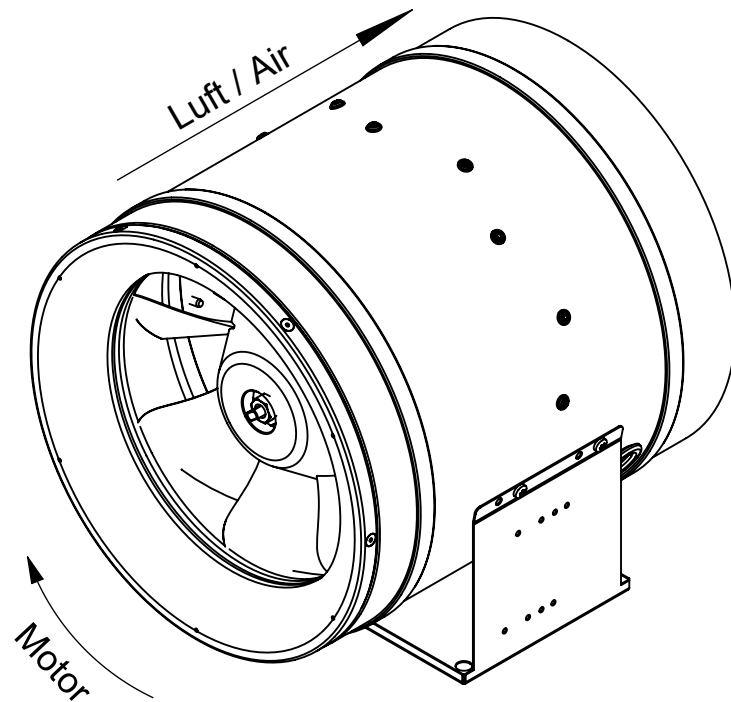
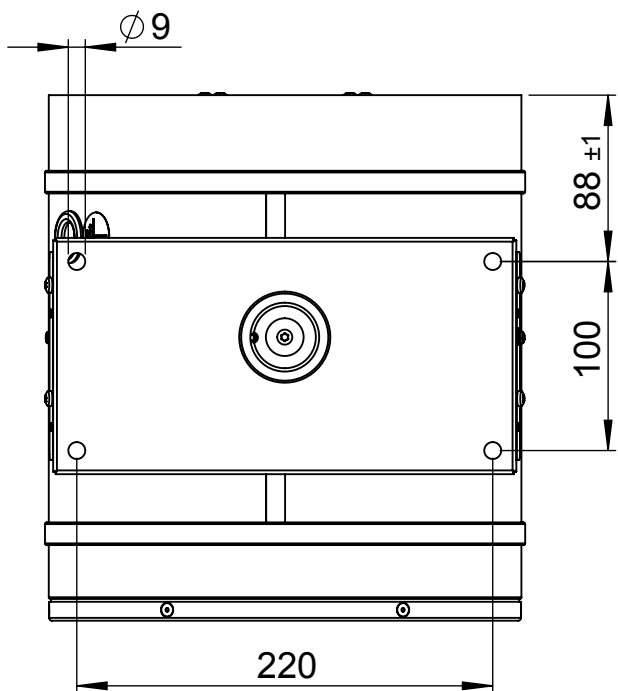
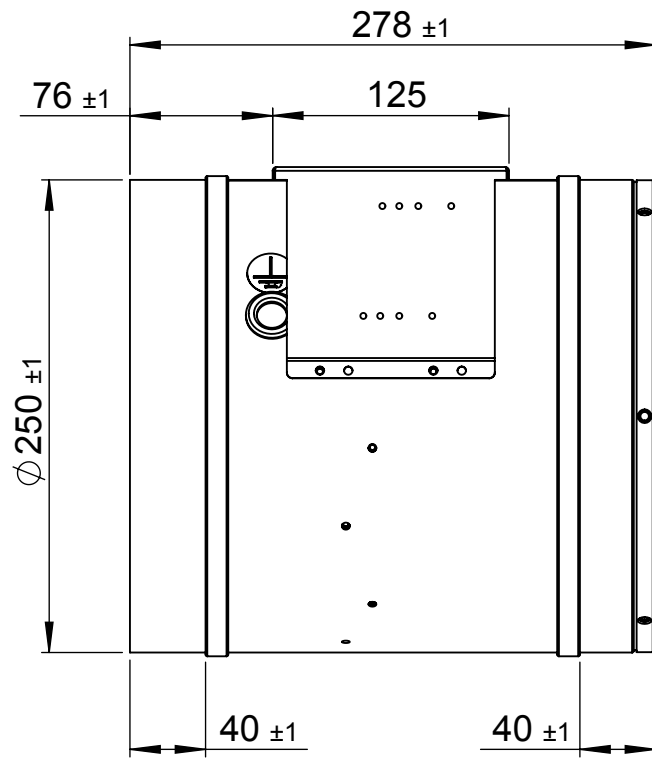
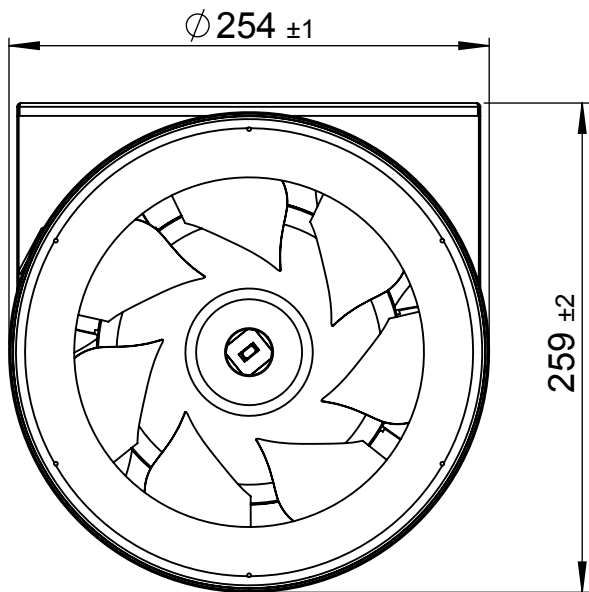
- Diagonal impeller with downstream three-dimensional guide vanes
- Galvanized metal housing
- Speed controllable
- Integrated thermostatic switch
- Including mounting bracket
- **Attention! See note at FU-operation**

— ErP compliant range

Operating Point		1	2	3	4	5
Current I	A	1,3	1,1	1,3	1,4	1,3
Power consumption P _i	W	391	297	419	442	392
Rotation speed n	1/min	3884	3981	3864	3861	3918
SWL inlet L _{WA5}	dB(A)	85	83	79	81	84
SWL outlet L _{WA6}	dB(A)	89	86	82	82	86
SWL housing break out L _{WA2}	dB(A)	70	68	65	65	67

Sound power (L _W) dB(A)		Medium Frequency Band								
		Σ	63	125	250	500	1k	2k	4k	8k
Inlet	L _{WA5}	79	44	48	58	70	73	74	73	66
Outlet	L _{WA6}	82	43	51	61	73	78	77	73	65
Housing radiation	L _{WA2}	65	52	37	45	48	56	58	63	47

EL 250 D2 01 118980	
Voltage U _N	230 V 3~
Current I _{max}	1,5 A
Ambient temperature t _A	50 °C
Conveyed medium temperature t _M	50 °C
Speed Control	f
Motor protection	TAO
Insulation class motor	F
Weight	6,6 kg
Number of poles	2
IP motor	IP00
IP terminal box	-
IP complete unit	IPX4
Min. operating temperature	-30 °C



1:4 A4 mm

ruck^{EU}
VENTILATOREN

ruck Ventilatoren
Max-Planck-Str. 5
D-97944 Boxberg

Protection Mark
according to ISO16016

General tolerances
DIN ISO 2768-mK

EL250D201+

Drawn: h.sachsenheimer
Created: h.sachsenheimer
Changed: a.muehleck

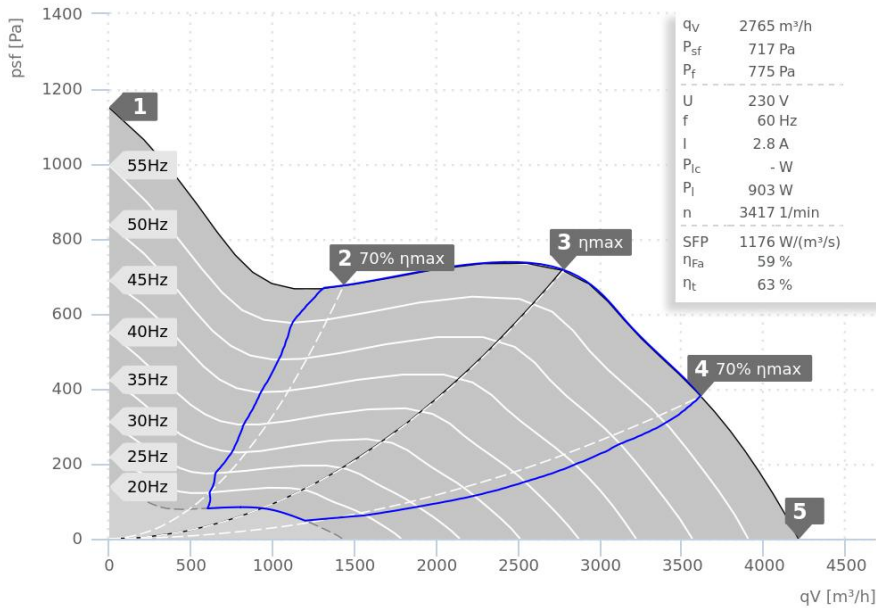
30.09.08
30.09.08
05.02.13

118980 01

VENTAS
VENTILATORER

DATA SHEET

EL 315 D2 01 | 112759



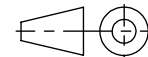
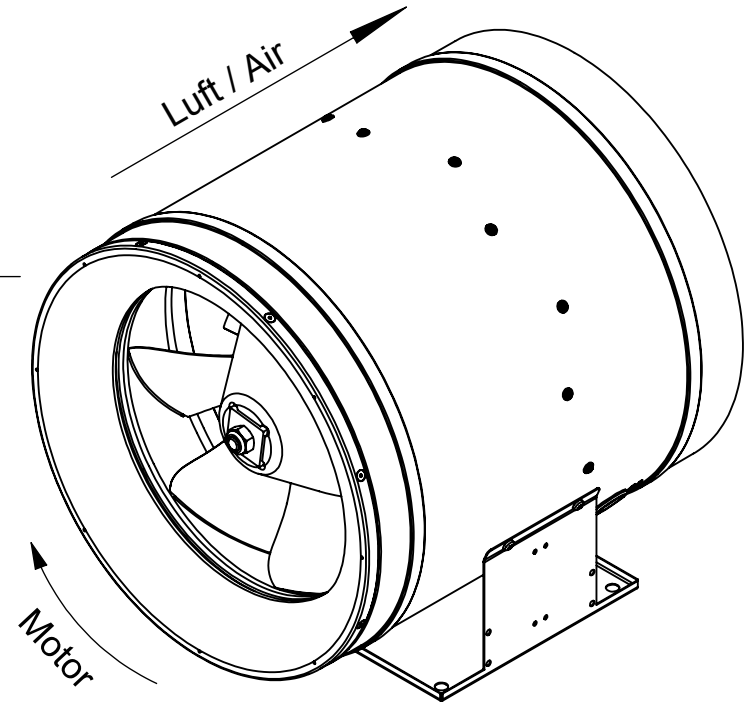
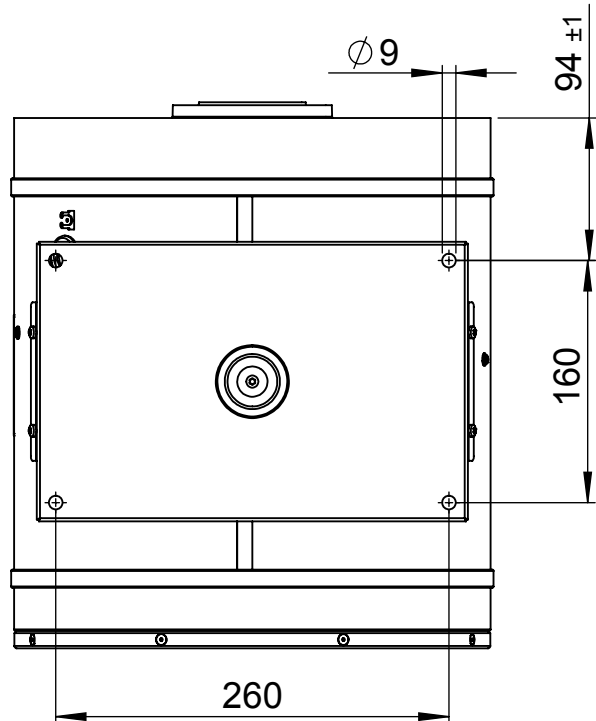
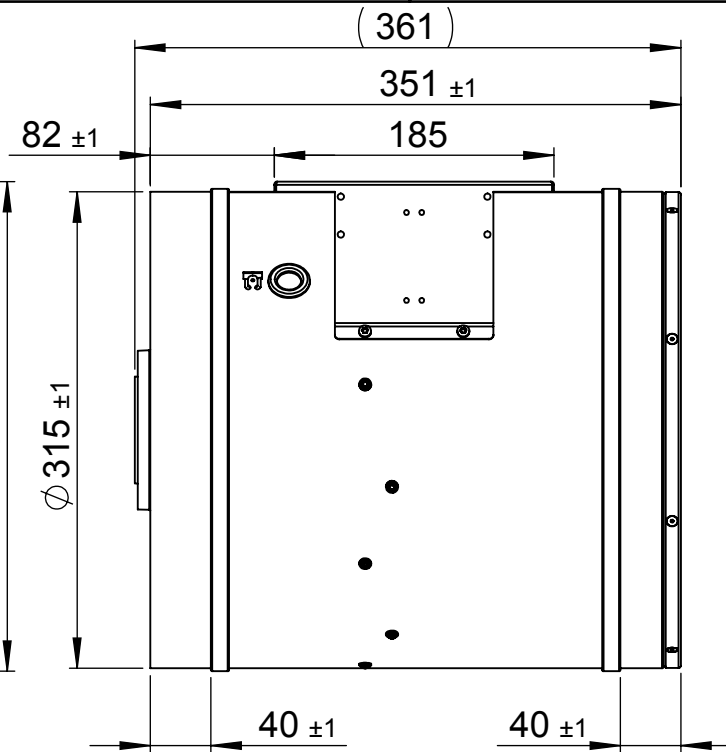
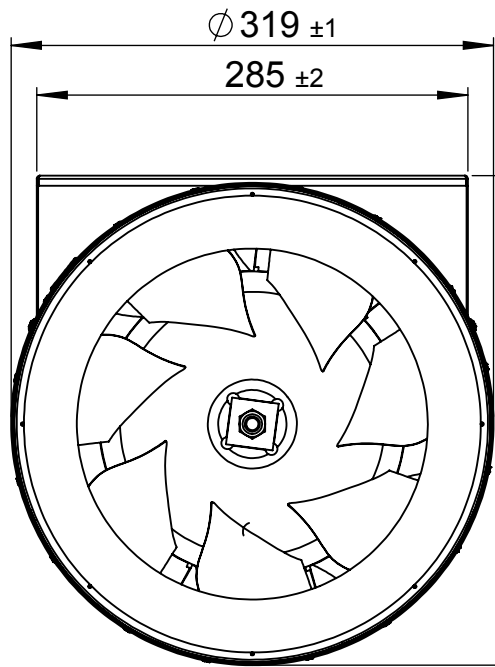
- Diagonal impeller with downstream three-dimensional guide vanes
- Galvanized metal housing
- Speed controllable
- Integrated thermostatic switch
- Including mounting bracket
- **Attention! See note at FU-operation**

— ErP compliant range

Operating Point		1	2	3	4	5
Current I	A	2,4	2,0	2,8	2,7	2,4
Power consumption P _i	W	783	628	908	893	780
Rotation speed n	1/min	3443	3489	3421	3438	3465
SWL inlet L _{WA5}	dB(A)	90	84	79	81	86
SWL outlet L _{WA6}	dB(A)	94	90	87	89	92
SWL housing break out L _{WA2}	dB(A)	75	73	70	72	75

Sound power (L _W) dB(A)		Medium Frequency Band								
		Σ	63	125	250	500	1k	2k	4k	8k
Inlet	L _{WA5}	79	-	44	59	70	74	73	71	70
Outlet	L _{WA6}	87	-	52	67	77	85	81	74	68
Housing radiation	L _{WA2}	70	-	49	49	64	67	60	59	51

EL 315 D2 01 112759	
Voltage U _N	230 V 3~
Current I _{max}	3,0 A
Ambient temperature t _A	40 °C
Conveyed medium temperature t _M	40 °C
Speed Control	f
Motor protection	TAO
Insulation class motor	F
Weight	15,5 kg
Number of poles	2
IP motor	IP44
IP terminal box	-
IP complete unit	IPX4
Min. operating temperature	-30 °C



1:5 A4 mm

ruck^{EU}
VENTILATOREN

ruck Ventilatoren
Max-Planck-Str. 5
D-97944 Boxberg

Protection Mark
according to ISO16016

General tolerances
DIN ISO 2768-mK

EL315D201+

Drawn: m.ruf
Created: sy
Changed: a.muehleck

14.09.07
26.06.06
05.02.13

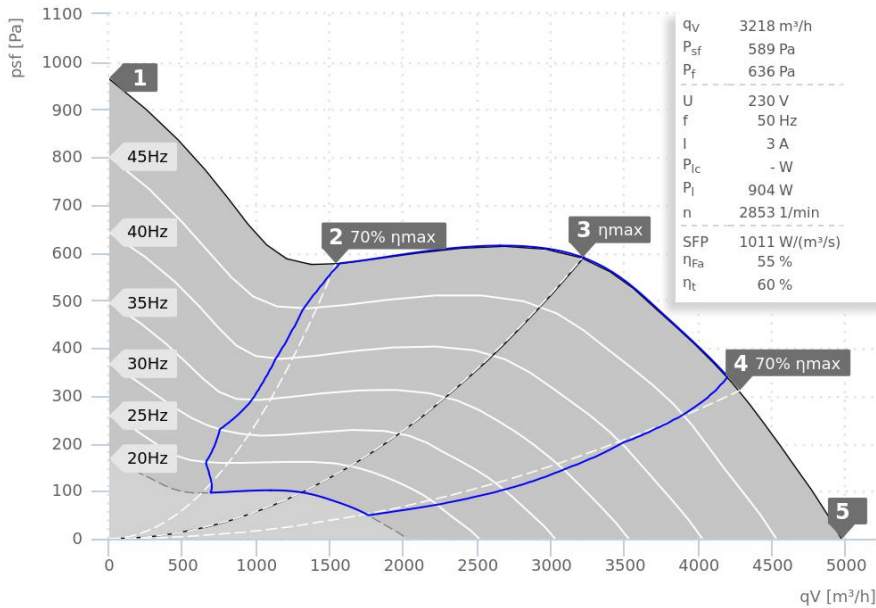
112759 01

VENTAS
VENTILATORER

DATA SHEET

ruck.eu
VENTILATOREN

EL 355 D2 01 | 112760



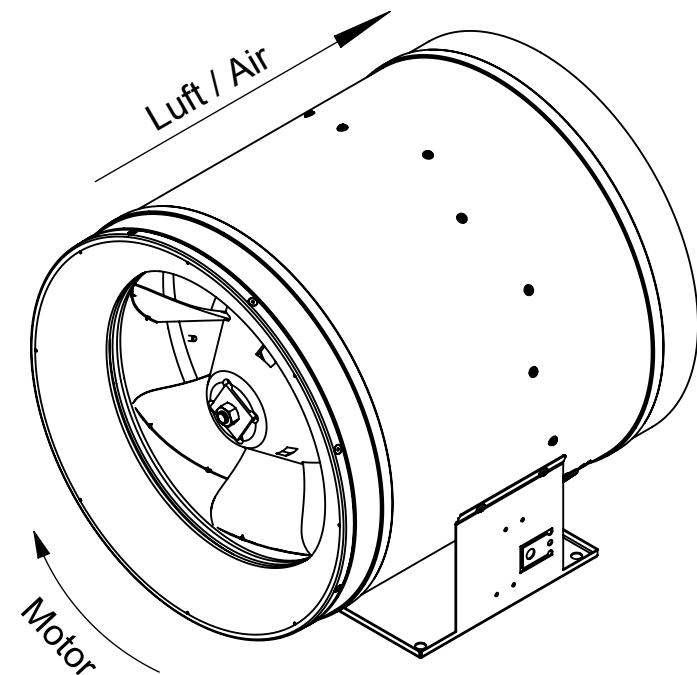
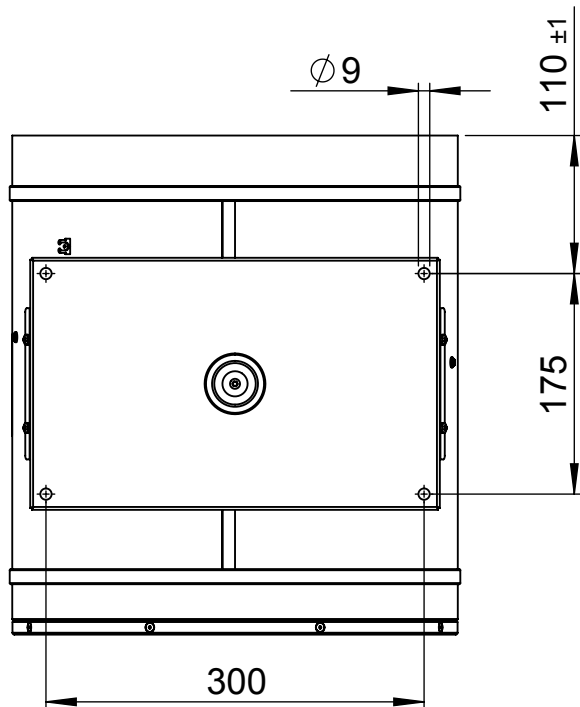
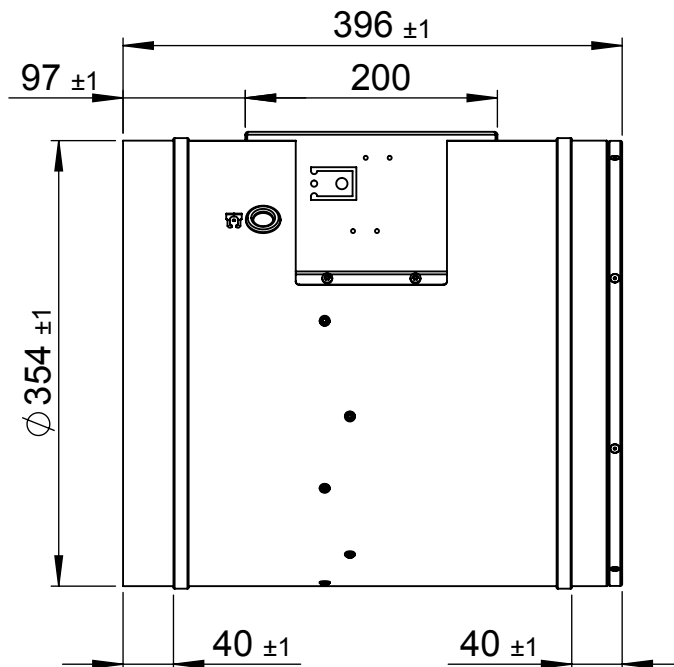
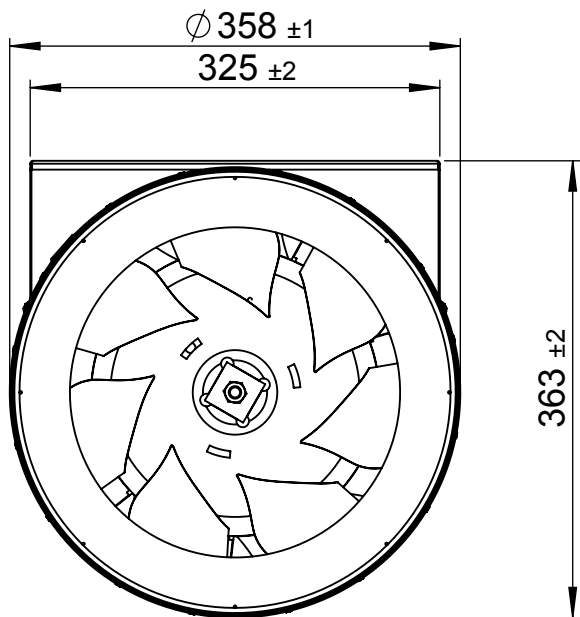
- Diagonal impeller with downstream three-dimensional guide vanes
- Galvanized metal housing
- Speed controllable
- Integrated thermostatic switch
- Including mounting bracket
- **Attention! See note at FU-operation**


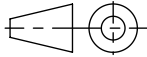

— ErP compliant range

Operating Point		1	2	3	4	5
Current I	A	2,6	2,2	3,0	3,0	2,7
Power consumption P ₁	W	785	610	907	903	795
Rotation speed n	1/min	2871	2914	2857	2864	2887
SWL inlet L _{WA5}	dB(A)	90	86	80	82	86
SWL outlet L _{WA6}	dB(A)	95	90	85	87	91
SWL housing break out L _{WA2}	dB(A)	75	72	67	70	72

Sound power (L _W) dB(A)		Medium Frequency Band								
		Σ	63	125	250	500	1k	2k	4k	8k
Inlet	L _{WA5}	80	-	49	69	72	76	75	72	66
Outlet	L _{WA6}	85	-	55	73	80	81	78	74	66
Housing radiation	L _{WA2}	67	-	53	57	60	63	59	58	48

EL 355 D2 01 112760	
Voltage U _N	230 V 3~
Current I _{max}	3,2 A
Ambient temperature t _A	60 °C
Conveyed medium temperature t _M	60 °C
Speed Control	f
Motor protection	TAO
Insulation class motor	F
Weight	17,5 kg
Number of poles	2
IP motor	IP44
IP terminal box	-
IP complete unit	IPX4
Min. operating temperature	-30 °C

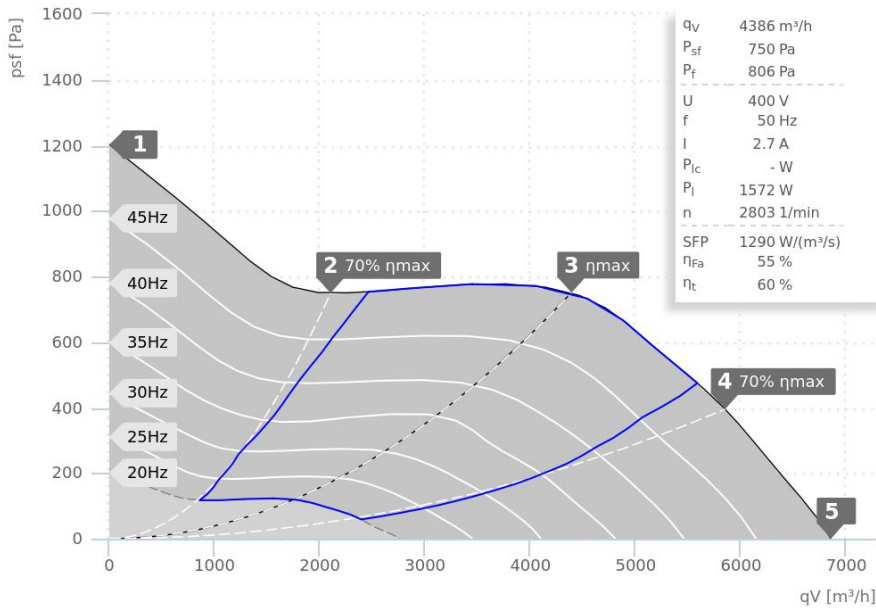


		1:6	A4	mm		
	Protection Mark according to ISO16016	General tolerances DIN ISO 2768-mK				EL355D201+
ruck Ventilatoren Max-Planck-Str. 5 D-97944 Boxberg	Drawn: m.ruf Created: sy Changed: a.muehleck	13.09.07 26.06.06 05.02.13				112760 02
						

DATA SHEET

ruck.eu
VENTILATOREN

EL 400 D2 O 01 | 159298



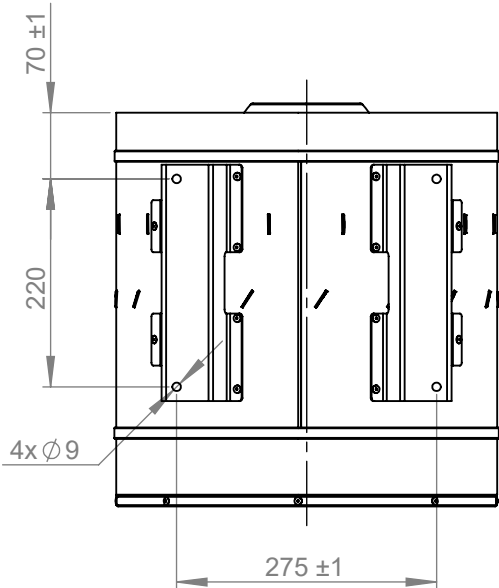
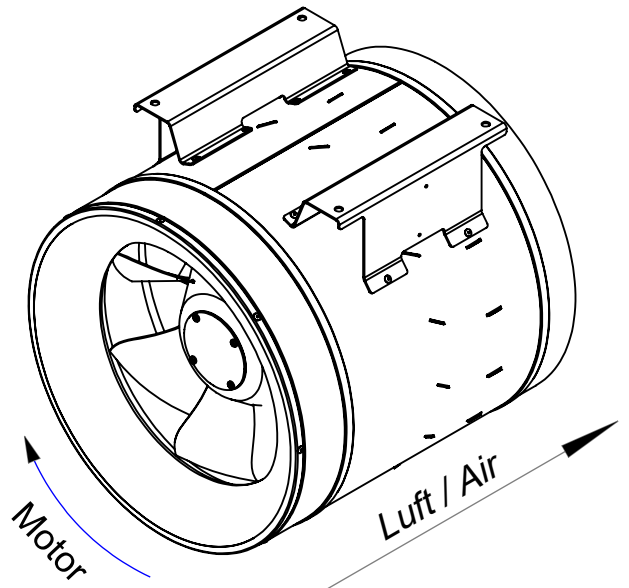
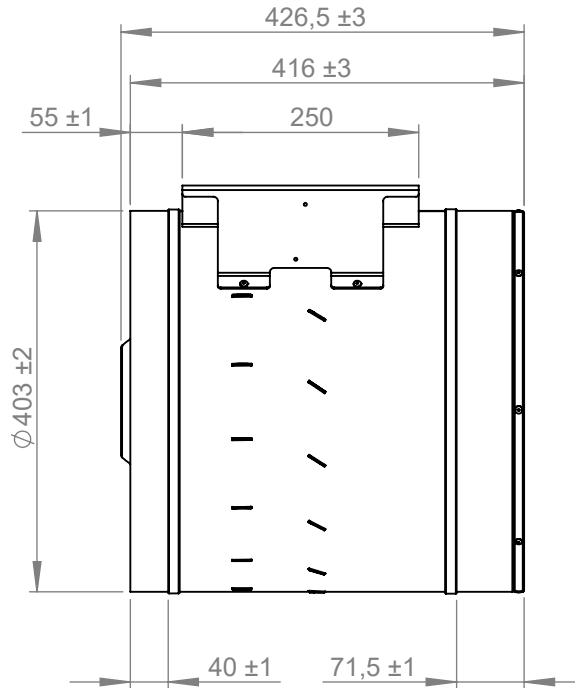
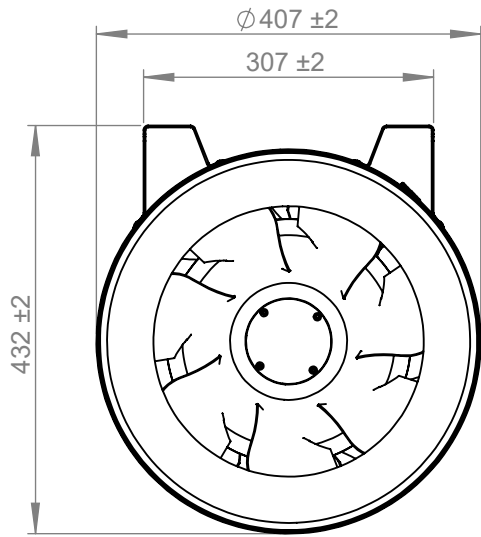
- Diagonal impeller with downstream three-dimensional guide vanes
- Aluminum housing
- Speed controllable
- Integrated thermostatic switch
- Including mounting bracket
- **Attention! See note at FU-operation**

— ErP compliant range

Operating Point		1	2	3	4	5
Current I	A	2,4	2,1	2,7	2,7	2,6
Power consumption P _i	W	1342	1086	1572	1565	1426
Rotation speed n	1/min	2833	2865	2803	2815	2845
SWL inlet L _{WA5}	dB(A)	94	91	85	87	91
SWL outlet L _{WA6}	dB(A)	98	95	91	93	96
SWL housing break out L _{WA2}	dB(A)	87	85	81	80	86

Sound power (L _W) dB(A)		Medium Frequency Band								
		Σ	63	125	250	500	1k	2k	4k	8k
Inlet	L _{WA5}	85	43	55	70	77	79	80	75	66
Outlet	L _{WA6}	91	52	64	79	86	87	84	80	71
Housing radiation	L _{WA2}	81	55	60	67	76	76	72	69	60

EL 400 D2 O 01 159298	
Voltage U _N	400 V 3~
Current I _{max}	3,0 A
Ambient temperature t _A	60 °C
Conveyed medium temperature t _M	60 °C
Speed Control	f
Motor protection	-
Insulation class motor	F
Weight	15,0 kg
Number of poles	2
IP motor	IP55
IP terminal box	-
IP complete unit	IPX4
Min. operating temperature	-20 °C



ruck^{eu}
VENTILATOREN
ruck Ventilatoren
Max-Planck-Str. 5
D-97944 Boxberg



1:8 A4 mm

Protection Mark according to ISO16016
General tolerances according to DIN ISO 2768-c
Created h.sachsenheimer 04.08.2021
Drawn h.sachsenheimer 04.08.2021
Released h.sachsenheimer 04.08.2021
Disabled

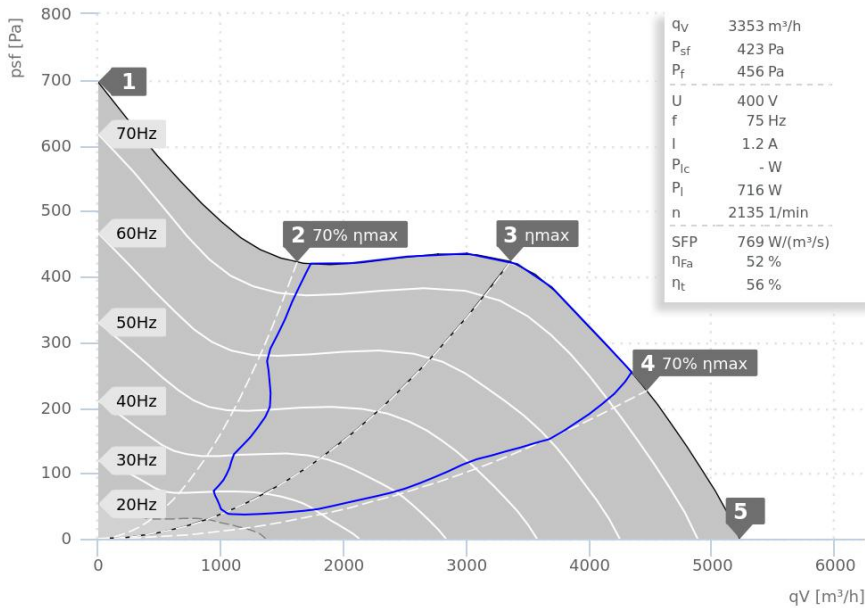
EL400D2001

159298 00

VENTAS
VENTILATORER

DATA SHEET

EL 400 D4 O 01 | 159310



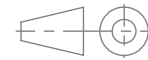
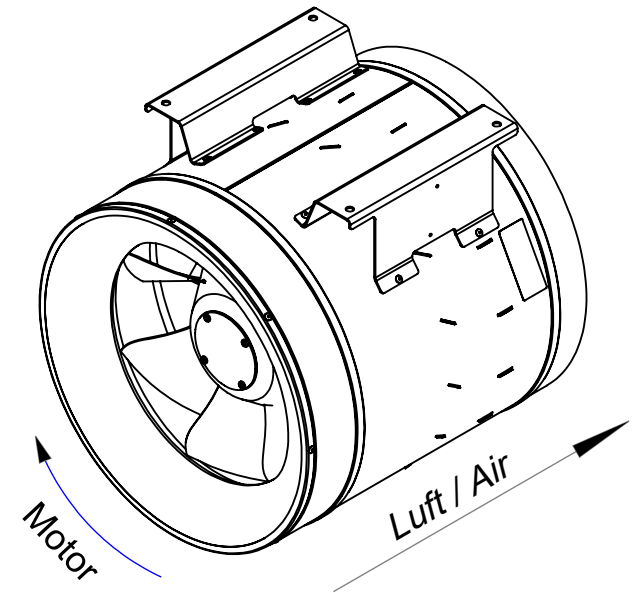
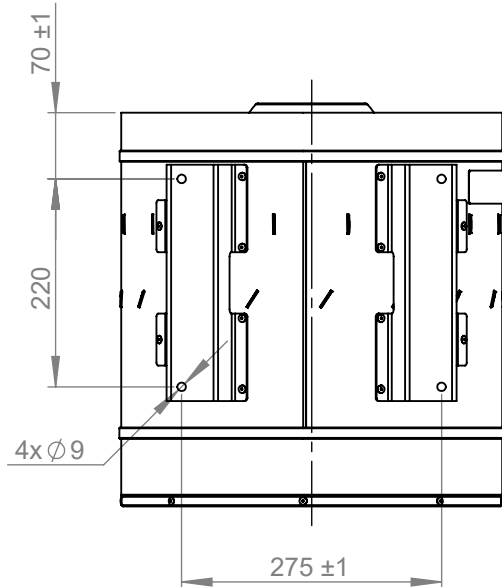
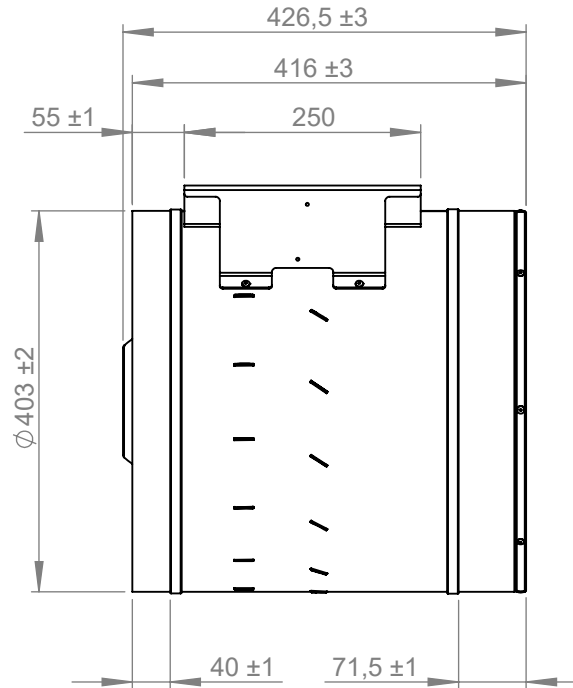
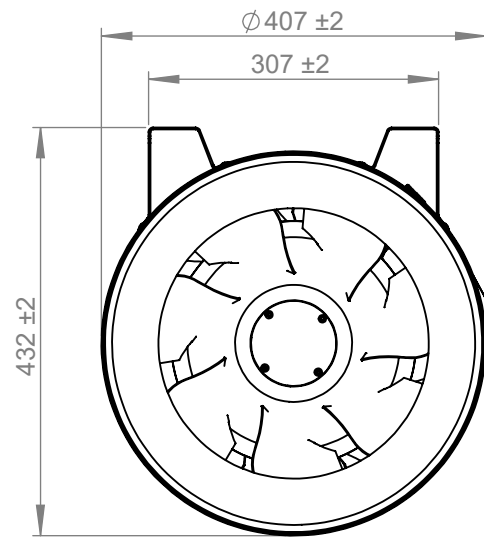
- Diagonal impeller with downstream three-dimensional guide vanes
- Aluminum housing
- Speed controllable
- Integrated thermostatic switch
- Including mounting bracket
- **Attention! See note at FU-operation**

— ErP compliant range

Operating Point		1	2	3	4	5
Current I	A	1,0	0,9	1,2	1,2	1,1
Power consumption P_1	W	623	497	718	721	635
Rotation speed n	1/min	2152	2172	2136	2140	2155
SWL inlet L_{WA5}	dB(A)	87	83	84	80	84
SWL outlet L_{WA6}	dB(A)	91	88	84	84	88
SWL housing break out L_{WA2}	dB(A)	79	77	73	73	77

Sound power (L_W) dB(A)		Medium Frequency Band								
		Σ	63	125	250	500	1k	2k	4k	8k
Inlet	L_{WA5}	84	57	66	76	78	78	77	71	62
Outlet	L_{WA6}	84	44	59	71	79	79	77	72	62
Housing radiation	L_{WA2}	73	45	50	56	65	69	67	60	51

EL 400 D4 O 01 159310	
Voltage U_N	400 V 3~
Current I_{max}	1,3 A
Ambient temperature t_A	80 °C
Conveyed medium temperature t_M	80 °C
Speed Control	f
Motor protection	-
Insulation class motor	F
Weight	18,5 kg
Number of poles	4
IP motor	IP55
IP terminal box	-
IP complete unit	IPX4
Min. operating temperature	-20 °C



1:8 A4 mm

Protection Mark according to ISO16016 General tolerances DIN ISO 2768-c

EL400D4001

Created h.sachsenheimer 04.08.2021

Drawn h.sachsenheimer 04.08.2021

Released h.sachsenheimer 05.08.2021

Disabled

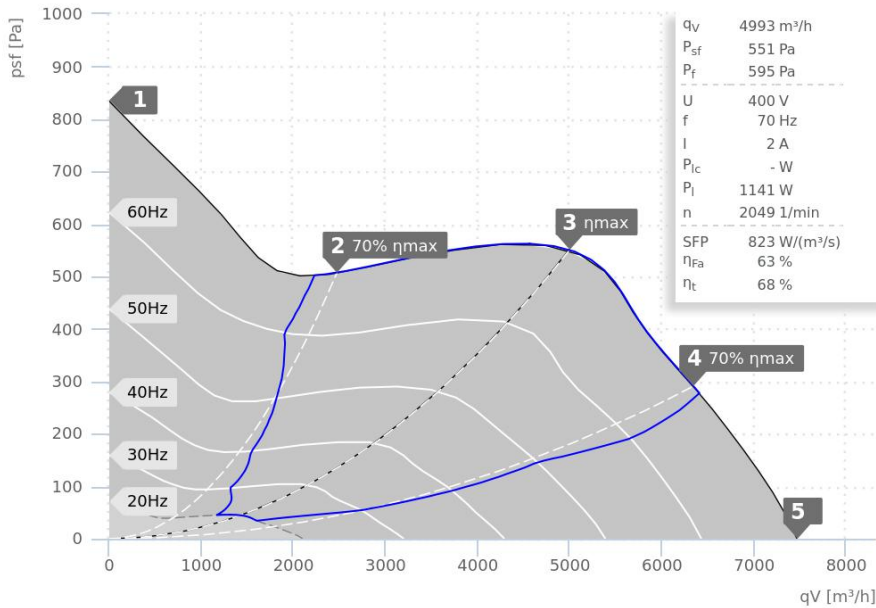
159310 00

ruck.eu
 VENTILATOREN
 ruck Ventilatoren
 Max-Planck-Str. 5
 D-97944 Boxberg

VENTAS
 VENTILATORER

DATA SHEET

EL 450 D4 O 01 | 159400



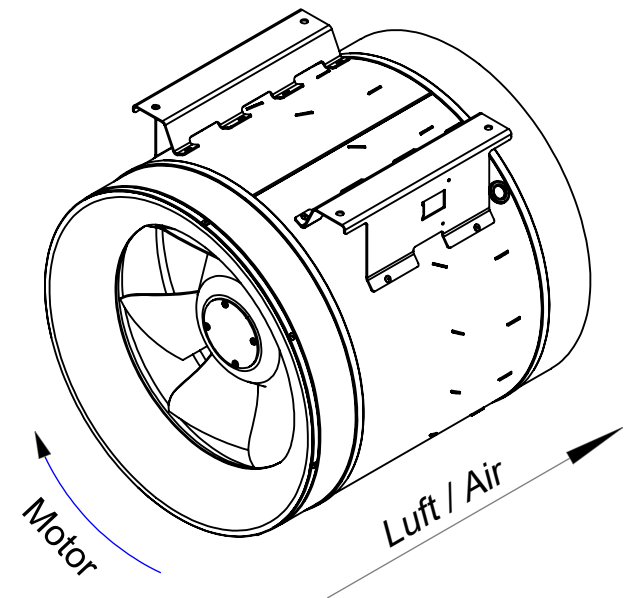
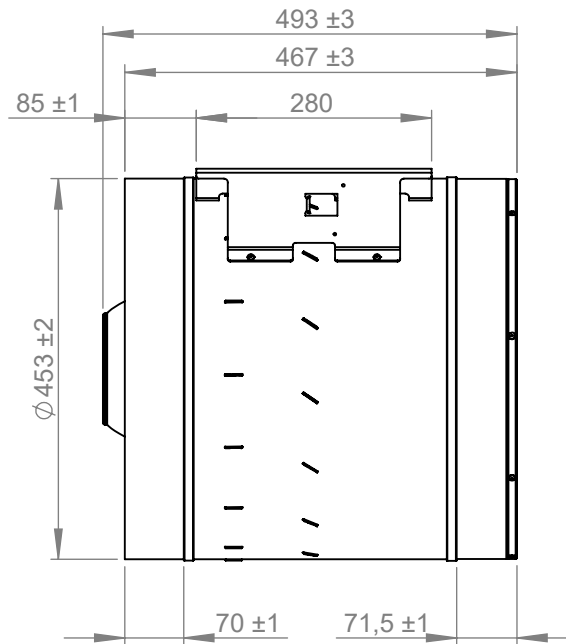
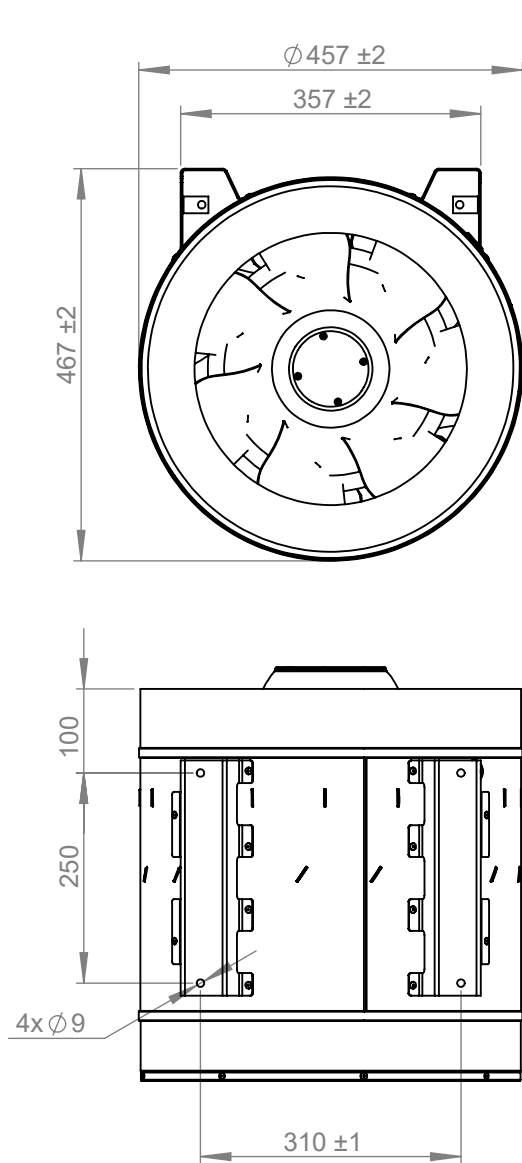
- Diagonal impeller with downstream three-dimensional guide vanes
- Aluminum housing
- Speed controllable
- Integrated thermostatic switch
- Including mounting bracket
- **Attention! See note at FU-operation**

— ErP compliant range

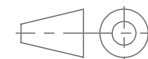
Operating Point		1	2	3	4	5
Current I	A	1,8	1,5	2,0	2,0	1,8
Power consumption P_1	W	936	752	1145	1089	980
Rotation speed n	1/min	2053	2066	2051	2052	2059
SWL inlet L_{WA5}	dB(A)	90	86	84	84	87
SWL outlet L_{WA6}	dB(A)	94	91	90	90	93
SWL housing break out L_{WA2}	dB(A)	83	79	77	75	81

Sound power (L_W) dB(A)		Medium Frequency Band								
		Σ	63	125	250	500	1k	2k	4k	8k
Inlet	L_{WA5}	84	59	67	75	78	80	77	72	63
Outlet	L_{WA6}	90	53	69	77	86	85	81	78	68
Housing radiation	L_{WA2}	77	52	54	61	71	74	68	65	54

EL 450 D4 O 01 159400	
Voltage U_N	400 V 3~
Current I_{max}	2,2 A
Ambient temperature t_A	60 °C
Conveyed medium temperature t_M	60 °C
Speed Control	f
Motor protection	-
Insulation class motor	F
Weight	26,5 kg
Number of poles	4
IP motor	IP55
IP terminal box	-
IP complete unit	-
Min. operating temperature	-30 °C



ruck^{eu}
 VENTILATOREN
 ruck Ventilatoren
 Max-Planck-Str. 5
 D-97944 Boxberg



1:9 A4 mm

Protection Mark according to ISO16016
 General tolerances according to DIN ISO 2768-c
 Created h.sachsenheimer 17.08.2021
 Drawn h.sachsenheimer 17.08.2021
 Released h.sachsenheimer 18.08.2021
 Disabled

EL450D4001

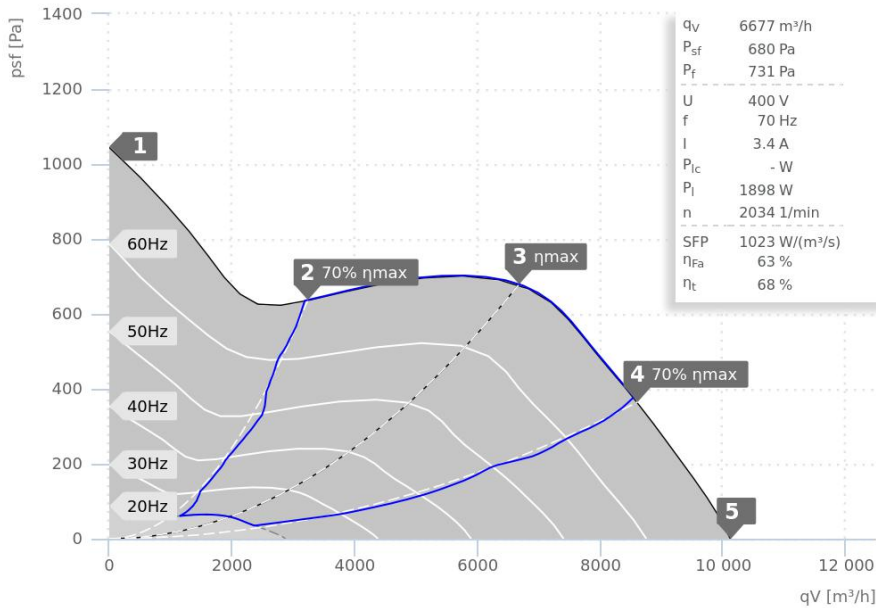
159400 00

VENTAS
 VENTILATOREN

DATA SHEET

ruck.eu
VENTILATOREN

EL 500 D4 O 01 | 160105



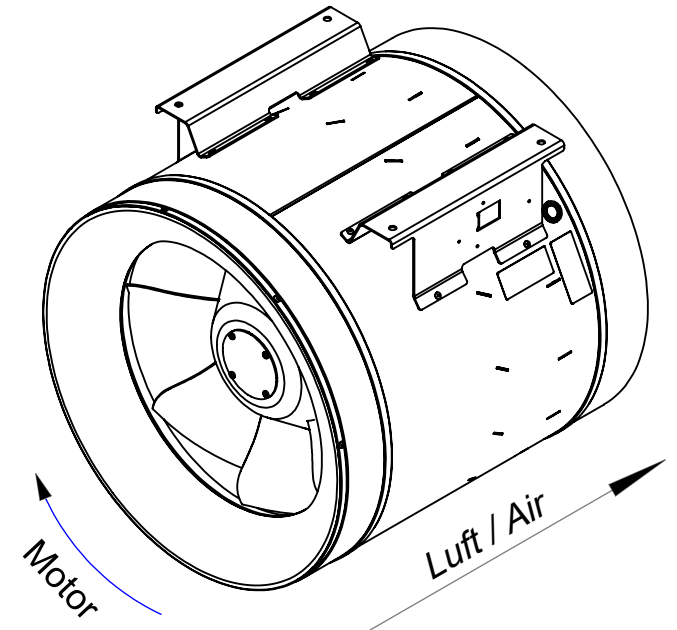
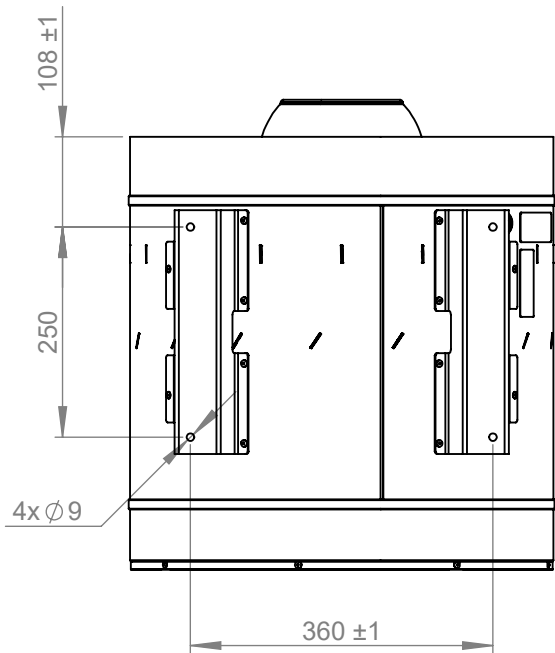
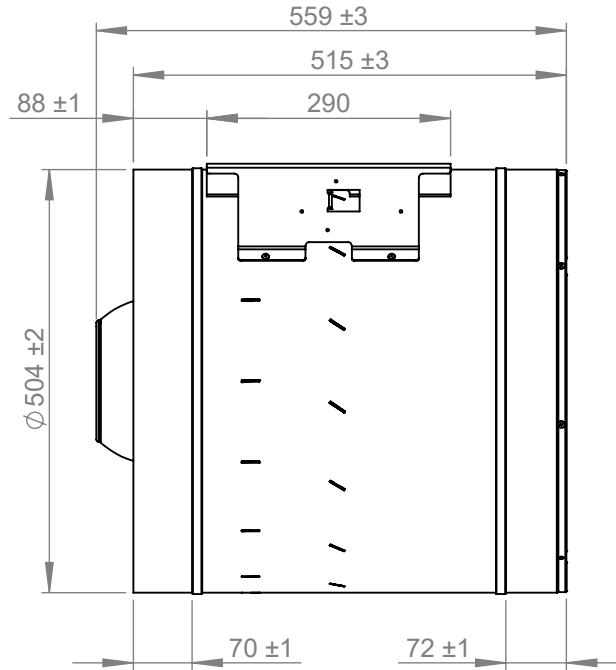
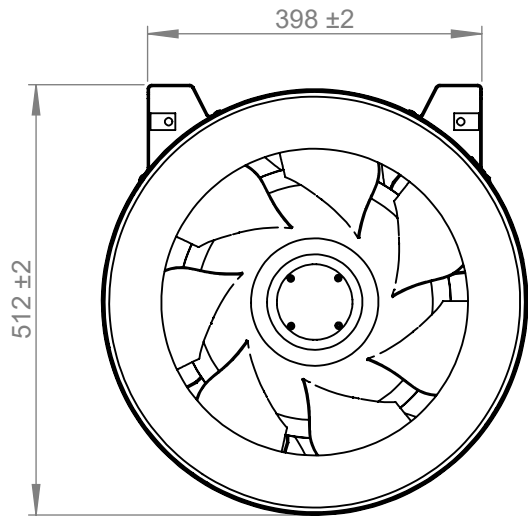
- Diagonal impeller with downstream three-dimensional guide vanes
- Aluminum housing
- Speed controllable
- Integrated thermostatic switch
- Including mounting bracket
- **Attention! See note at FU-operation**

— ErP compliant range

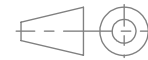
Operating Point		1	2	3	4	5
Current I	A	3,0	2,5	3,4	3,3	3,1
Power consumption P _i	W	1626	1248	1904	1862	1698
Rotation speed n	1/min	2046	2058	2037	2040	2048
SWL inlet L _{WA5}	dB(A)	94	91	93	89	92
SWL outlet L _{WA6}	dB(A)	98	94	93	94	97
SWL housing break out L _{WA2}	dB(A)	87	86	80	82	87

Sound power (L _W) dB(A)		Medium Frequency Band								
		Σ	63	125	250	500	1k	2k	4k	8k
Inlet	L _{WA5}	93	69	84	86	88	87	85	79	68
Outlet	L _{WA6}	93	72	84	83	89	88	85	80	70
Housing radiation	L _{WA2}	80	46	50	65	78	75	68	66	55

EL 500 D4 O 01 160105	
Voltage U _N	400 V 3~
Current I _{max}	3,6 A
Ambient temperature t _A	60 °C
Conveyed medium temperature t _M	60 °C
Speed Control	f
Motor protection	-
Insulation class motor	F
Weight	36,3 kg
Number of poles	4
IP motor	IP55
IP terminal box	-
IP complete unit	-
Min. operating temperature	-30 °C



ruck^{eu}
VENTILATOREN
ruck Ventilatoren
Max-Planck-Str. 5
D-97944 Boxberg



Protection Mark
according to ISO16016

1:9 A4 mm

General tolerances
DIN ISO 2768-c

Created h.sachsenheimer 28.10.2021
Drawn h.sachsenheimer 28.10.2021
Released h.sachsenheimer 29.10.2021
Disabled

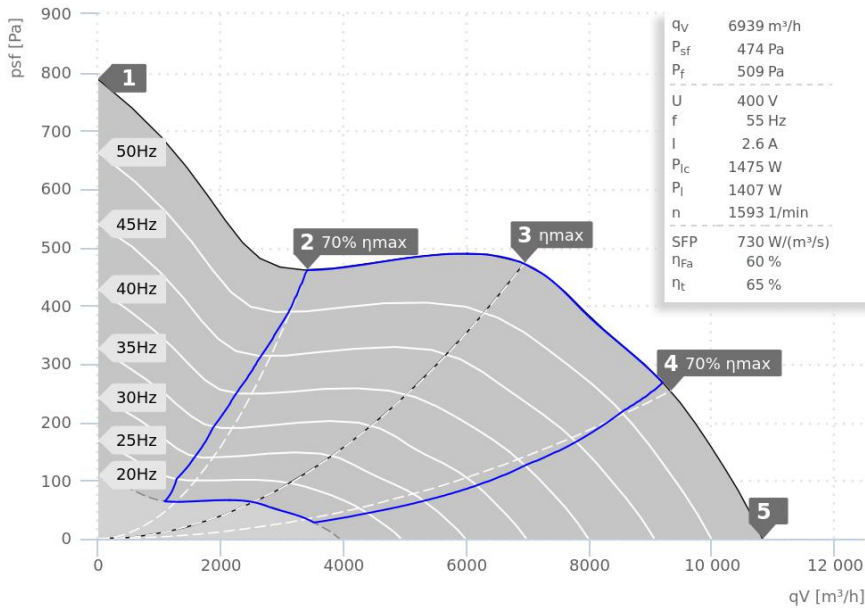
EL500D4001

160105 00



DATA SHEET

EL 560 D4 02 | 146537



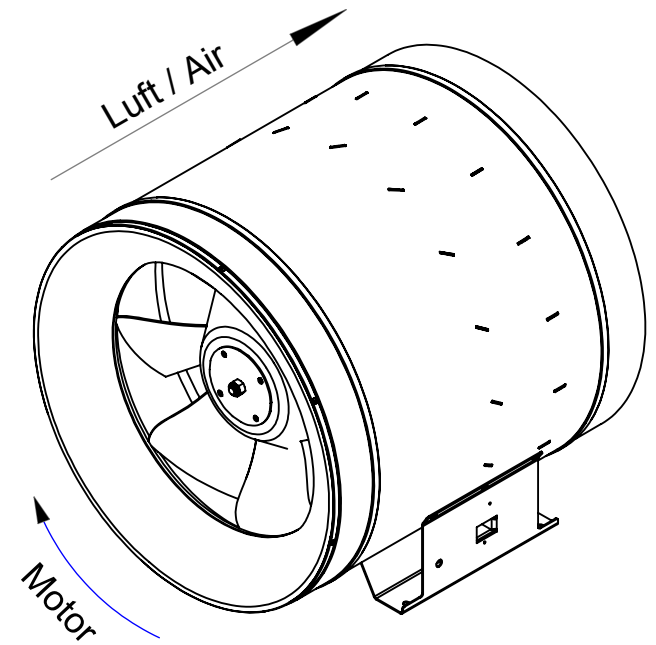
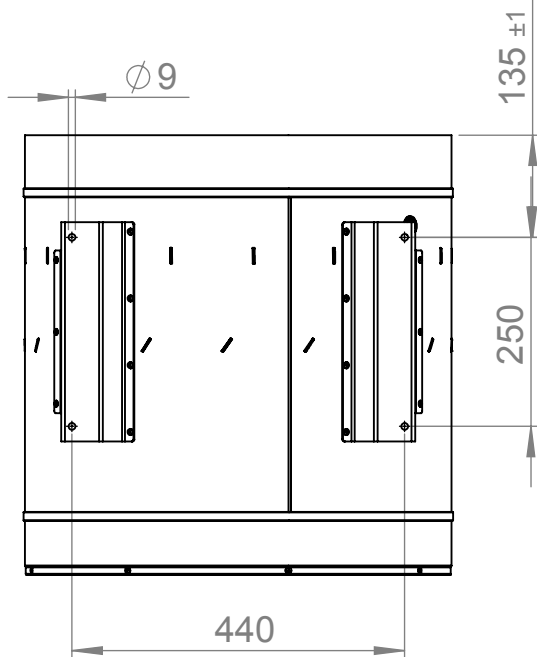
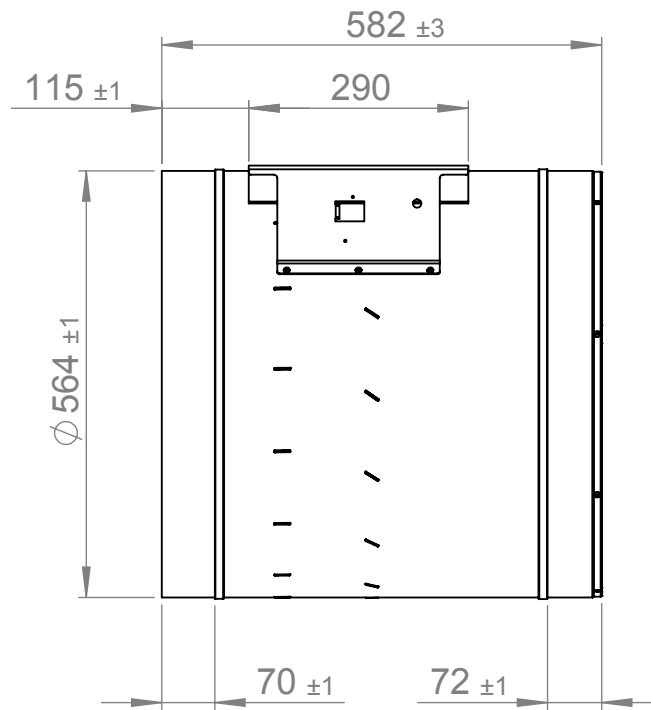
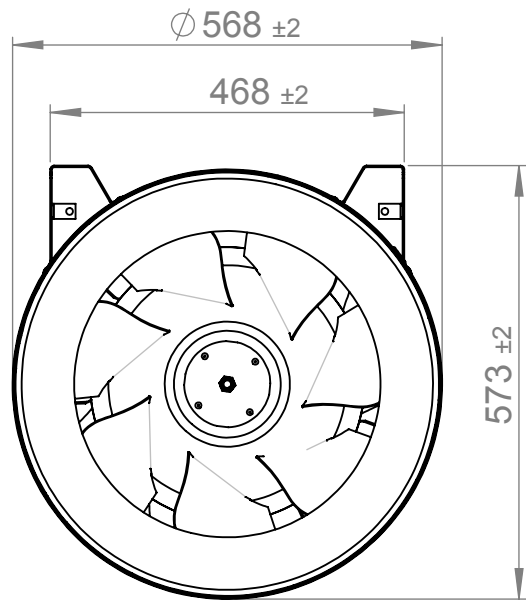
- Diagonal impeller with downstream three-dimensional guide vanes
- Aluminum housing
- Integrated thermostatic switch
- Including mounting bracket
- Single step mains operation possible 400V/50Hz
- **Attention! See note at FU-operation**

— ErP compliant range

Operating Point		1	2	3	4	5
Current I	A	2,4	2,0	2,6	2,6	2,4
Power consumption P ₁	W	1288	977	1414	1448	1318
Rotation speed n	1/min	1597	1612	1595	1595	1601
SWL inlet L _{WA5}	dB(A)	91	87	85	86	88
SWL outlet L _{WA6}	dB(A)	94	90	86	86	90
SWL housing break out L _{WA2}	dB(A)	84	81	78	77	81

Sound power (L _W) dB(A)		Medium Frequency Band								
		Σ	63	125	250	500	1k	2k	4k	8k
Inlet	L _{WA5}	85	55	69	75	80	80	77	71	61
Outlet	L _{WA6}	86	46	68	77	82	80	77	73	64
Housing radiation	L _{WA2}	78	51	59	69	75	71	67	61	52

EL 560 D4 02 146537	
Voltage U _N	400 V 3~
Current I _{max}	2,7 A
Ambient temperature t _A	60 °C
Conveyed medium temperature t _M	60 °C
Speed Control	f
Motor protection	TAO
Insulation class motor	F
Weight	33,0 kg
Number of poles	4
IP motor	IP55
IP terminal box	-
IP complete unit	IPX4
Min. operating temperature	-20 °C



ruck^{eu}
VENTILATOREN
ruck Ventilatoren
Max-Planck-Str. 5
D-97944 Boxberg



Protection Mark
according to ISO 16016
Created d.andree
Drawn d.andree
Released d.andree
Disabled

1:10 A4 mm

General tolerances
DIN ISO 2768-c

EL560D402

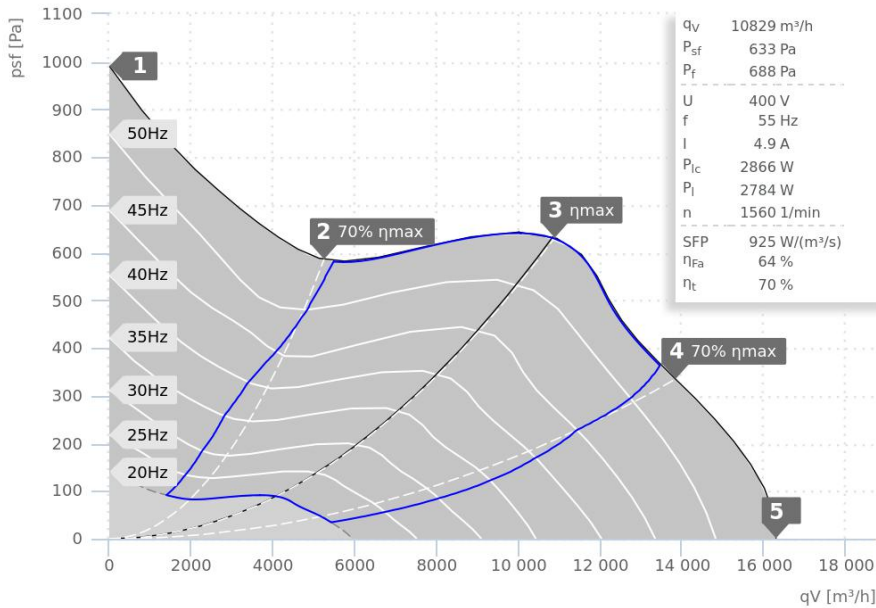
146537 00

VENTAS
VENTILATORER

DATA SHEET

ruck.eu
VENTILATOREN

EL 630 D4 03 | 146534



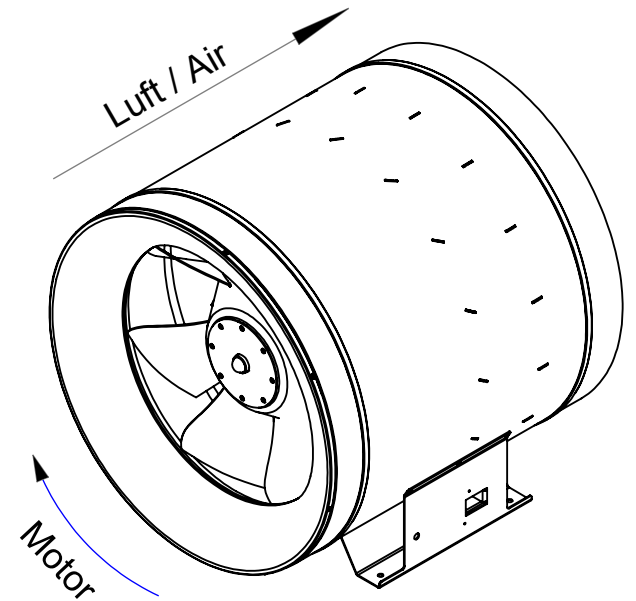
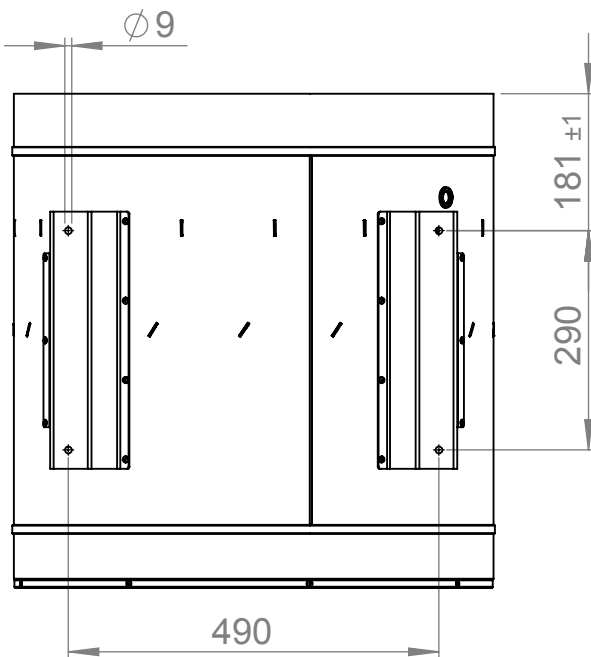
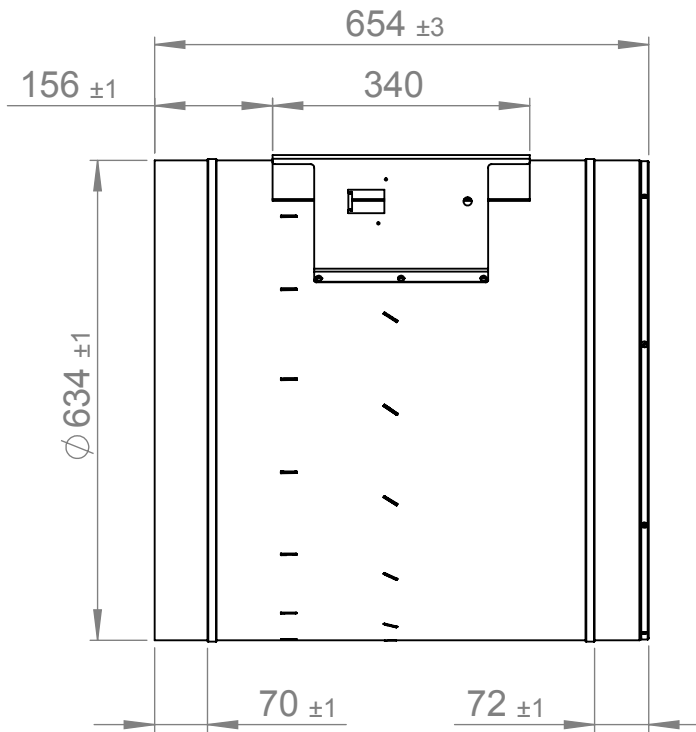
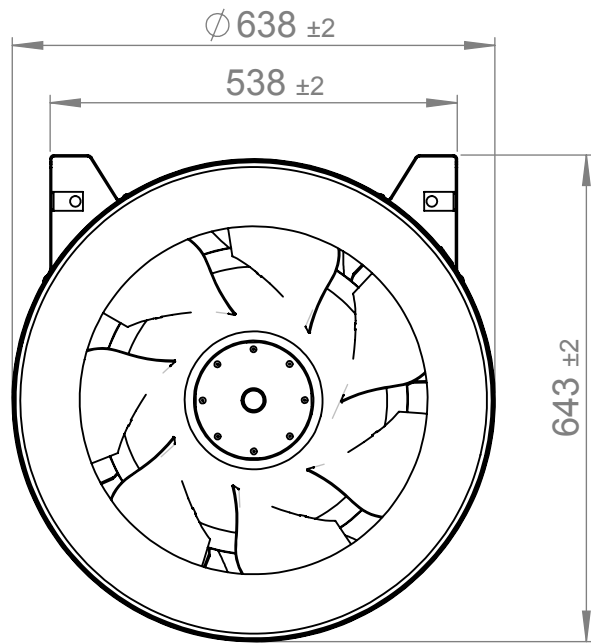
- Diagonal impeller with downstream three-dimensional guide vanes
- Aluminum housing
- Integrated thermostatic switch
- Including mounting bracket
- Single step mains operation possible 400V/50Hz
- **Attention! See note at FU-operation**

— ErP compliant range

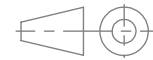
Operating Point		1	2	3	4	5
Current I	A	4,1	3,4	4,9	4,7	4,6
Power consumption P ₁	W	2246	1777	2790	2657	2599
Rotation speed n	1/min	1565	1593	1560	1566	1570
SWL inlet L _{WA5}	dB(A)	94	90	85	88	91
SWL outlet L _{WA6}	dB(A)	97	94	89	91	95
SWL housing break out L _{WA2}	dB(A)	85	82	77	79	83

Sound power (L _W) dB(A)		Medium Frequency Band								
		Σ	63	125	250	500	1k	2k	4k	8k
Inlet	L _{WA5}	86	43	66	75	81	80	78	75	64
Outlet	L _{WA6}	89	46	68	77	86	84	80	76	65
Housing radiation	L _{WA2}	78	46	57	66	74	72	67	62	52

EL 630 D4 03 146534	
Voltage U _N	400 V 3~
Current I _{max}	5,1 A
Ambient temperature t _A	60 °C
Conveyed medium temperature t _M	60 °C
Speed Control	f
Motor protection	TAO
Insulation class motor	F
Weight	49,5 kg
Number of poles	4
IP motor	IP55
IP terminal box	-
IP complete unit	IPX4
Min. operating temperature	-20 °C



ruck^{eu}
VENTILATOREN
ruck Ventilatoren
Max-Planck-Str. 5
D-97944 Boxberg



Protection Mark
according to ISO16016
Created d.andree
Drawn d.andree
Released d.andree
Disabled

1:10 A4 mm

General tolerances
DIN ISO 2768-c

28.05.2018
28.05.2018
08.06.2018

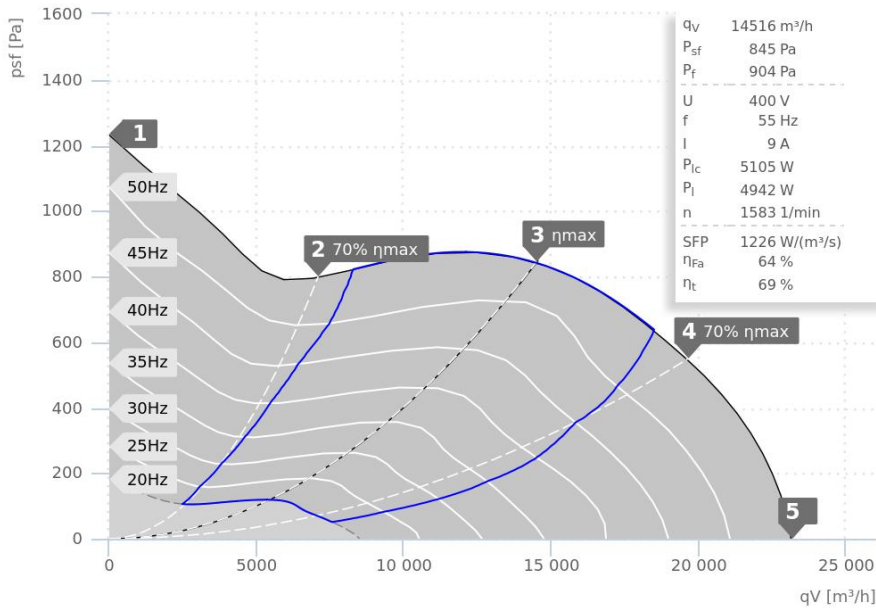
EL630D403

146534 00

VENTAS
VENTILATORER

DATA SHEET

EL 710 D4 02 | 146531



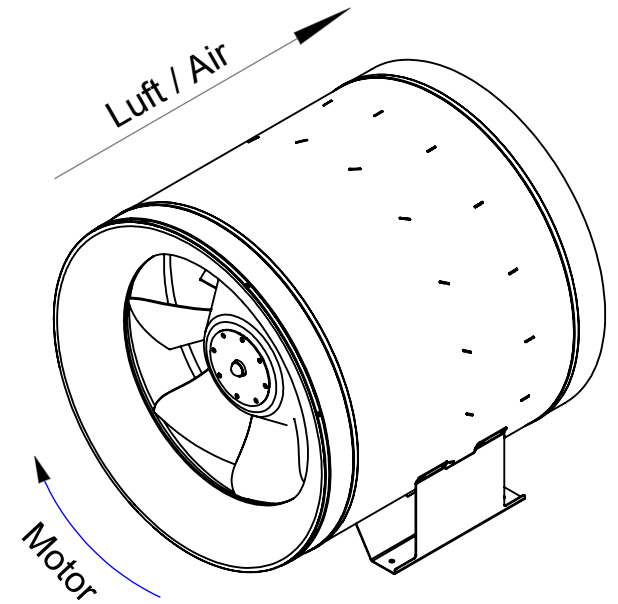
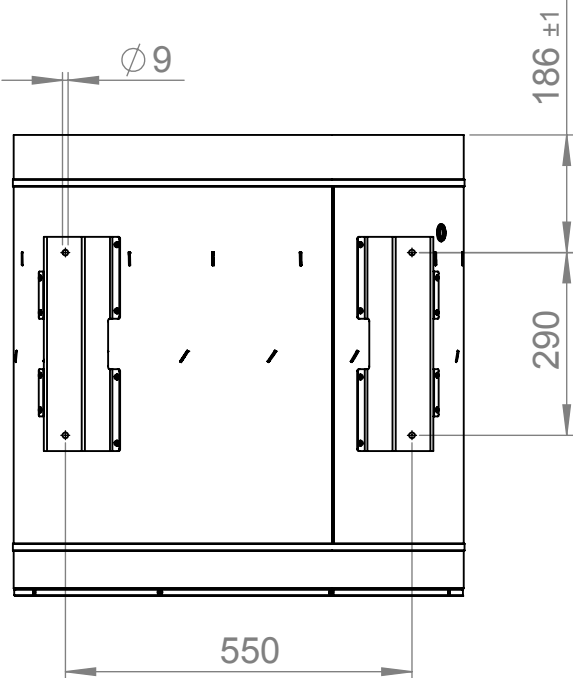
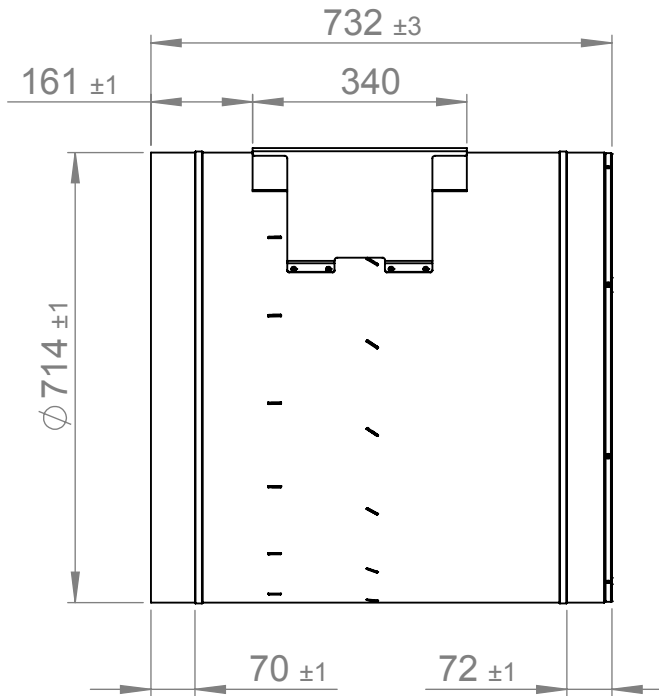
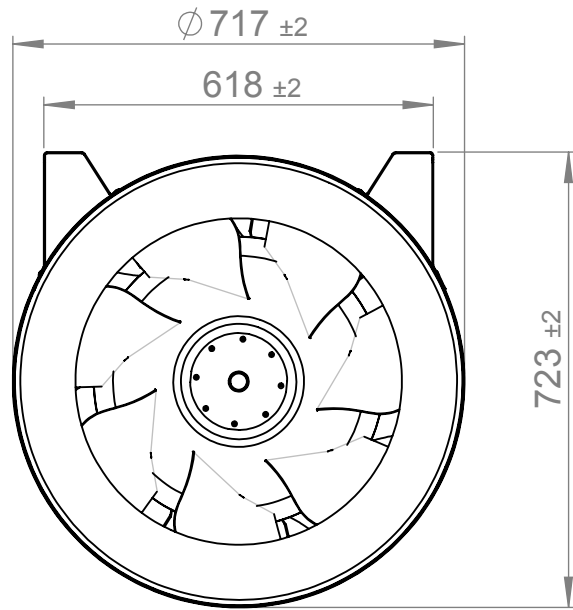
- Diagonal impeller with downstream three-dimensional guide vanes
- Aluminum housing
- Integrated thermostatic switch
- Including mounting bracket
- Single step mains operation possible 400V/50Hz
- **Attention! See note at FU-operation**

— ErP compliant range

Operating Point		1	2	3	4	5
Current I	A	7,6	6,7	9,1	9,7	9,3
Power consumption P ₁	W	3935	3338	4989	5400	5123
Rotation speed n	1/min	1567	1610	1586	1554	1586
SWL inlet L _{WA5}	dB(A)	99	97	94	94	95
SWL outlet L _{WA6}	dB(A)	102	99	96	97	98
SWL housing break out L _{WA2}	dB(A)	91	89	85	87	89

Sound power (L _W) dB(A)		Medium Frequency Band								
		Σ	63	125	250	500	1k	2k	4k	8k
Inlet	L _{WA5}	94	56	75	83	89	88	86	84	74
Outlet	L _{WA6}	96	52	72	85	92	90	88	84	75
Housing radiation	L _{WA2}	85	53	67	76	83	77	76	68	61

EL 710 D4 02 146531	
Voltage U _N	400 V 3~
Current I _{max}	9,8 A
Ambient temperature t _A	60 °C
Conveyed medium temperature t _M	60 °C
Speed Control	f
Motor protection	TAO
Insulation class motor	F
Weight	63,0 kg
Number of poles	4
IP motor	IP55
IP terminal box	-
IP complete unit	IPX4
Min. operating temperature	-20 °C



ruck^{eu}
VENTILATOREN
ruck Ventilatoren
Max-Planck-Str. 5
D-97944 Boxberg



Protection Mark
according to ISO16016
Created d.andree
Drawn d.andree
Released d.andree
Disabled

1:12 A4 mm

General tolerances
DIN ISO 2768-c

28.05.2018
28.05.2018
08.06.2018

EL710D402

146531 00

VENTAS
VENTILATORER