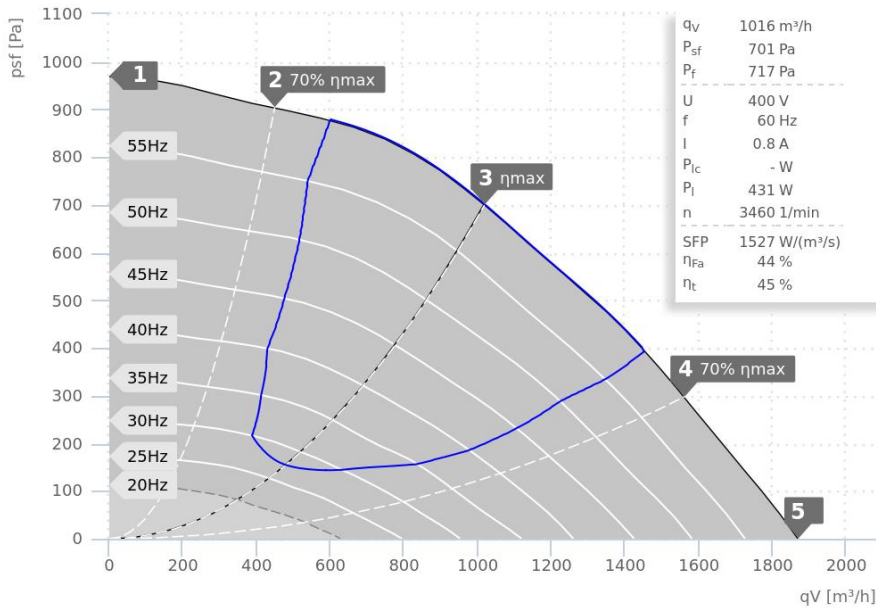


DATA SHEET

DVNI 225 D2 F4 30 | 144615



— ErP compliant range

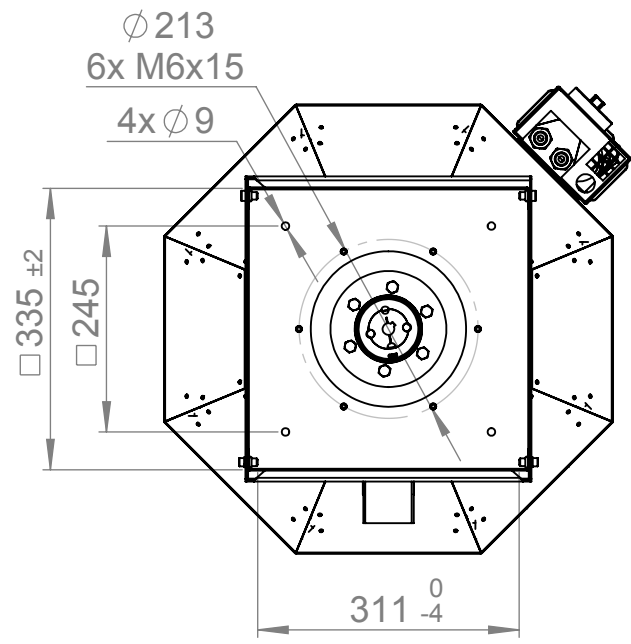
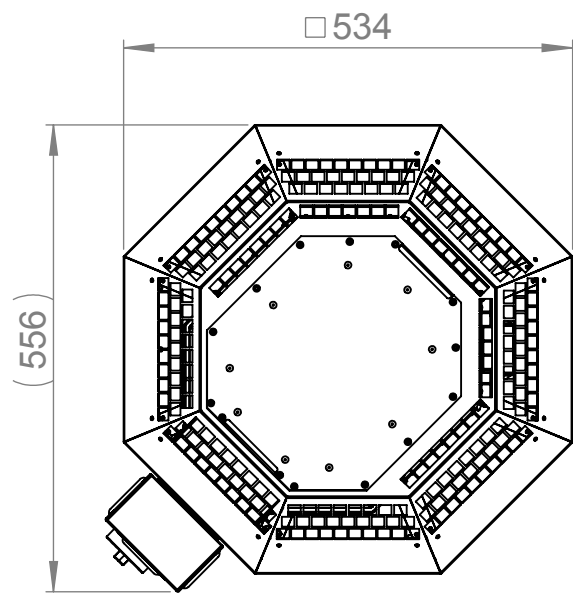
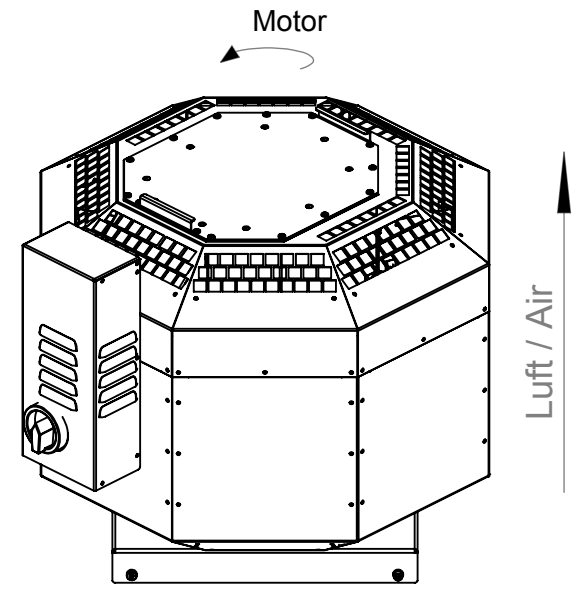
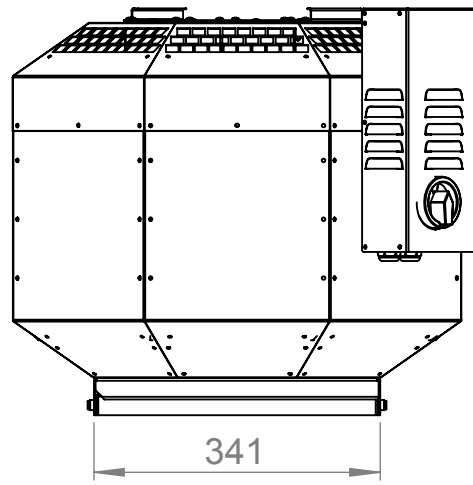
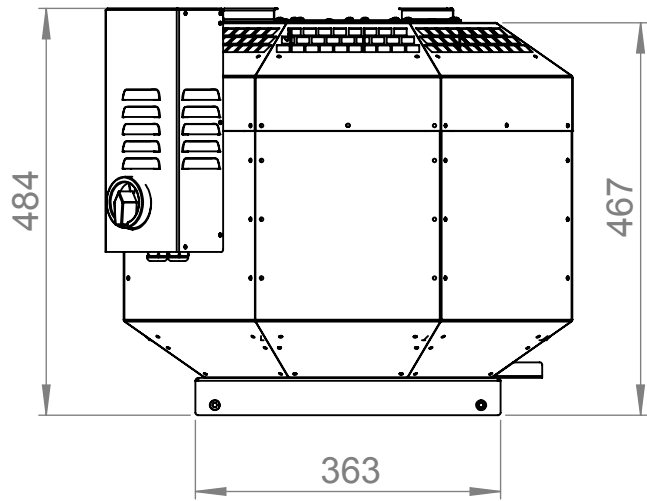


- 200 °C continuous operation and 400 °C / 120 min.
- Motor outside of air stream
- Speed controllable
- Drain tray
- Sound insulated
- Certified according to EN 12101-3:2015 with Certificate 0370-CPR-3994
- Star-Delta operation possible
- Star: direct 400V 3~ grid or frequency converter with 400V output
- Delta: direct 230V 3~ grid or frequency converter with 230V 1~ input and 230V 3~ output
- Frequency converter with Fire-Mode function (optional)

| Operating Point | | 1 | 2 | 3 | 4 | 5 |
|---------------------------------|-------|------|------|------|------|------|
| Current I | A | 0,5 | 0,7 | 0,8 | 0,7 | 0,7 |
| Power consumption P_1 | W | 210 | 362 | 432 | 400 | 342 |
| Rotation speed n | 1/min | 3539 | 3486 | 3464 | 3477 | 3500 |
| SWL inlet L_{WA5} | dB(A) | 79 | 78 | 77 | 82 | 84 |
| SWL outlet L_{WA6} | dB(A) | 77 | 77 | 75 | 79 | 81 |
| SWL housing break out L_{WA2} | dB(A) | - | - | - | - | - |

| Sound power (L_W) dB(A) | | Medium Frequency Band | | | | | | | | |
|-----------------------------|-----------|-----------------------|----|-----|-----|-----|----|----|----|----|
| | | Σ | 63 | 125 | 250 | 500 | 1k | 2k | 4k | 8k |
| Inlet | L_{WA5} | 77 | 47 | 59 | 64 | 70 | 73 | 69 | 66 | 62 |
| Outlet | L_{WA6} | 75 | 48 | 61 | 67 | 71 | 68 | 65 | 59 | 52 |
| Housing radiation | L_{WA2} | - | - | - | - | - | - | - | - | - |

| DVNI 225 D2 F4 30 144615 | |
|-----------------------------------|----------|
| Voltage U_N | 400 V 3~ |
| Current I_{max} | 0,8 A |
| Ambient temperature t_A | 50 °C |
| Conveyed medium temperature t_M | 200 °C |
| Speed Control | f |
| Motor protection | - |
| Insulation class motor | F |
| Weight | 36,4 kg |
| Number of poles | 2 |
| IP motor | IP55 |
| IP terminal box | - |
| IP complete unit | - |
| Min. operating temperature | -20 °C |



ruck^{eu}
 VENTILATOREN
 ruck Ventilatoren
 Max-Planck-Str. 5
 D-97944 Boxberg

Protection Mark according to ISO16016
 Created a.mezei
 Drawn a.mezei
 Released v.brand
 Disabled



1:9 A4 mm

General tolerances
 DIN ISO 2768-c

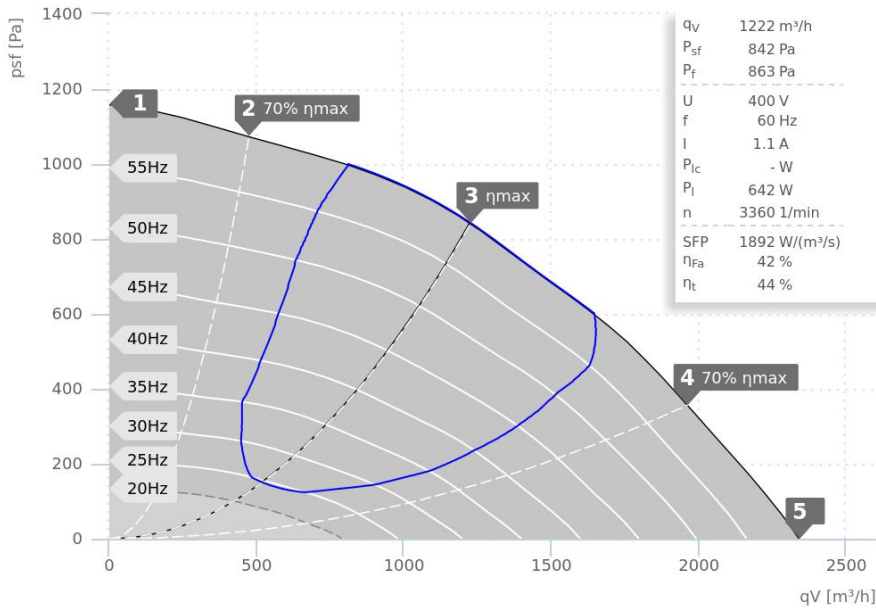
DVNI225D2F430

144615 00



DATA SHEET

DVNI 250 D2 F4 30 | 144616



— ErP compliant range

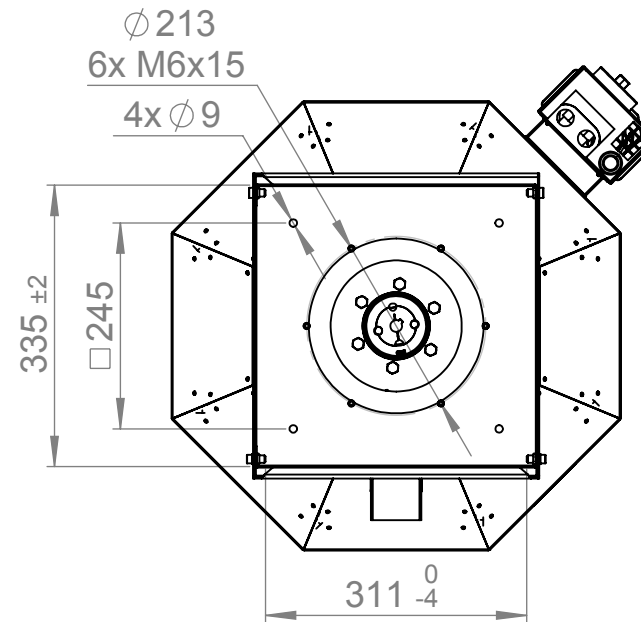
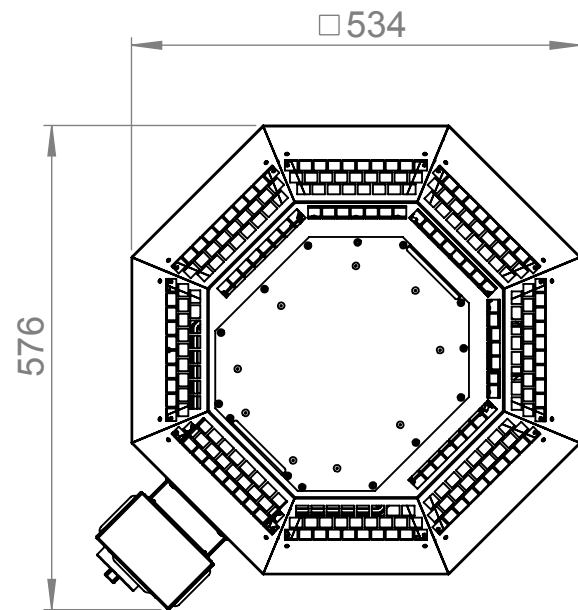
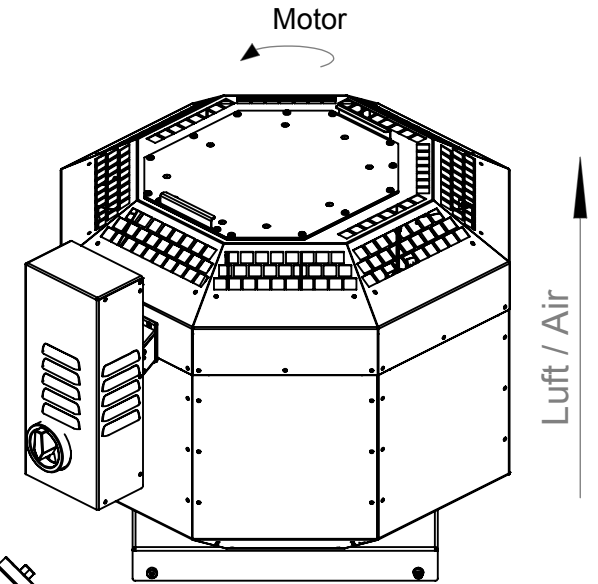
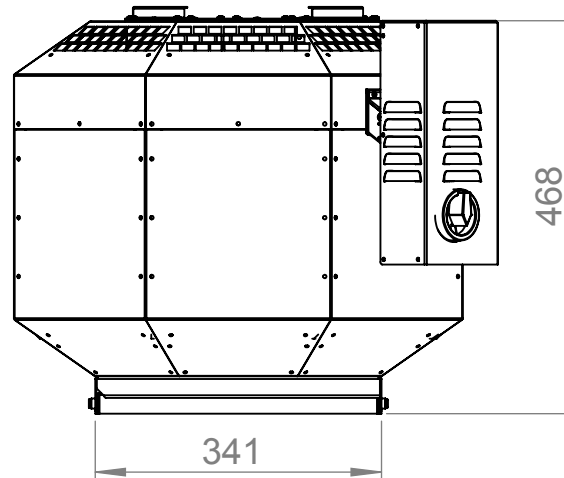
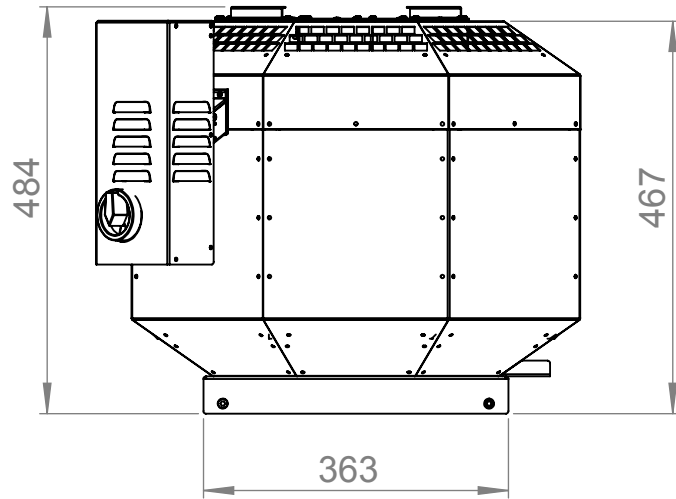


- 200 °C continuous operation and 400 °C / 120 min.
- Motor outside of air stream
- Speed controllable
- Drain tray
- Sound insulated
- Certified according to EN 12101-3:2015 with Certificate 0370-CPR-3994
- Star-Delta operation possible
- Star: direct 400V 3~ grid or frequency converter with 400V output
- Delta: direct 230V 3~ grid or frequency converter with 230V 1~ input and 230V 3~ output
- Frequency converter with Fire-Mode function (optional)

| Operating Point | | 1 | 2 | 3 | 4 | 5 |
|--|-------|------|------|------|------|------|
| Current I | A | 0,6 | 0,8 | 1,1 | 1,0 | 0,9 |
| Power consumption P _i | W | 279 | 466 | 644 | 624 | 543 |
| Rotation speed n | 1/min | 3508 | 3432 | 3363 | 3379 | 3421 |
| SWL inlet L _{WA5} | dB(A) | 82 | 82 | 80 | 85 | 87 |
| SWL outlet L _{WA6} | dB(A) | 80 | 80 | 78 | 83 | 85 |
| SWL housing break out L _{WA2} | dB(A) | - | - | - | - | - |

| Sound power (L _W) dB(A) | | Medium Frequency Band | | | | | | | | |
|-------------------------------------|------------------|-----------------------|----|-----|-----|-----|----|----|----|----|
| | | Σ | 63 | 125 | 250 | 500 | 1k | 2k | 4k | 8k |
| Inlet | L _{WA5} | 80 | 51 | 63 | 69 | 73 | 75 | 72 | 72 | 72 |
| Outlet | L _{WA6} | 78 | 54 | 67 | 71 | 74 | 72 | 68 | 63 | 58 |
| Housing radiation | L _{WA2} | - | - | - | - | - | - | - | - | - |

| DVNI 250 D2 F4 30 144616 | |
|--|----------|
| Voltage U _N | 400 V 3~ |
| Current I _{max} | 1,1 A |
| Ambient temperature t _A | 50 °C |
| Conveyed medium temperature t _M | 200 °C |
| Speed Control | f |
| Motor protection | - |
| Insulation class motor | F |
| Weight | 36,8 kg |
| Number of poles | 2 |
| IP motor | IP55 |
| IP terminal box | - |
| IP complete unit | - |
| Min. operating temperature | -20 °C |



ruck^{eu}
VENTILATOREN
ruck Ventilatoren
Max-Planck-Str. 5
D-97944 Boxberg



1:9 A4 mm

Protection Mark
according to ISO16016

General tolerances
DIN ISO 2768-c

DVNI250D2F430

Created a.mezei
Drawn a.mezei
Released v.brand
Disabled

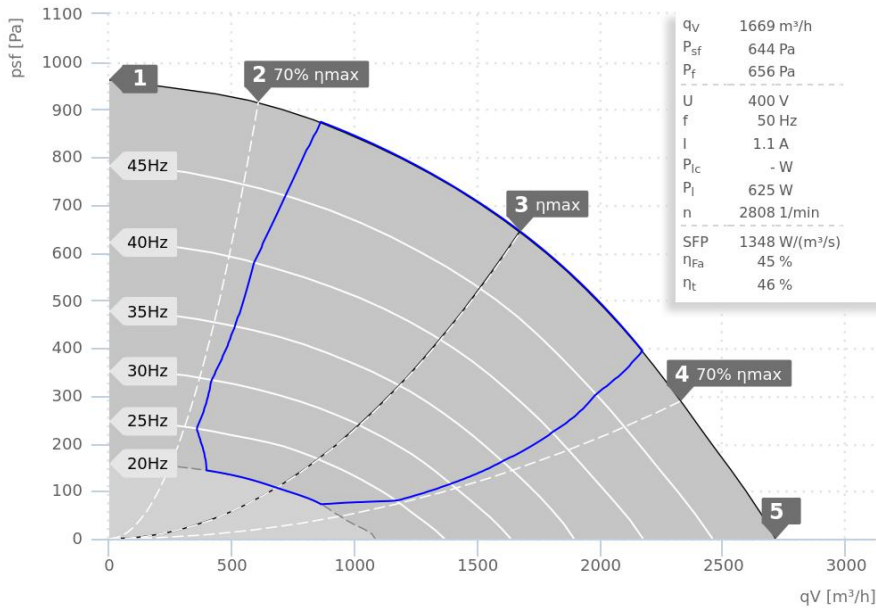
19.03.2018
19.03.2018
21.02.2020

144616 00

VENTAS
VENTILATORER

DATA SHEET

DVNI 280 D2 F4 30 | 144617



— ErP compliant range

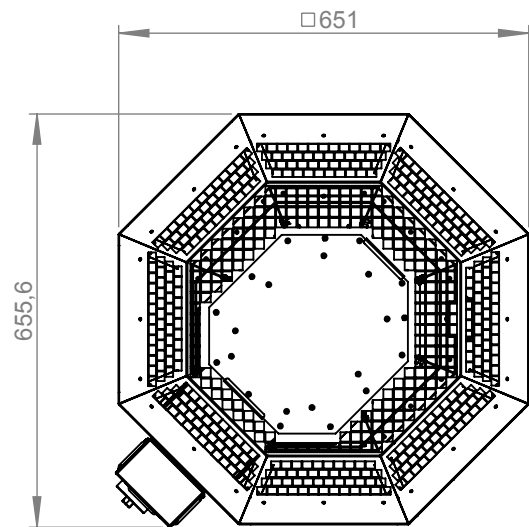
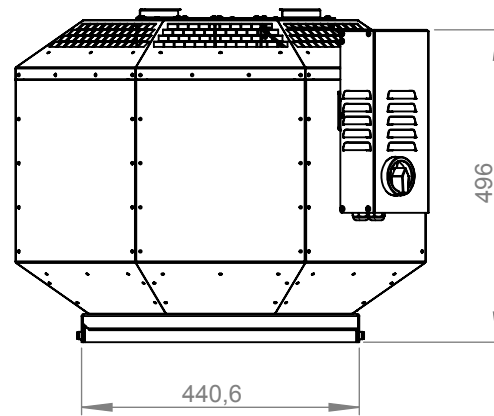
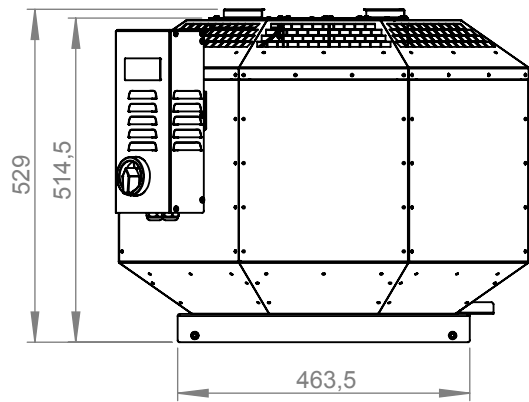


- 200 °C continuous operation and 400 °C / 120 min.
- Motor outside of air stream
- Speed controllable
- Drain tray
- Sound insulated
- Certified according to EN 12101-3:2015 with Certificate 0370-CPR-3994
- Star-Delta operation possible
- Star: direct 400V 3~ grid or frequency converter with 400V output
- Delta: direct 230V 3~ grid or frequency converter with 230V 1~ input and 230V 3~ output
- Frequency converter with Fire-Mode function (optional)

| Operating Point | | 1 | 2 | 3 | 4 | 5 |
|--|-------|------|------|------|------|------|
| Current I | A | 0,7 | 0,9 | 1,1 | 1,0 | 0,9 |
| Power consumption P _i | W | 256 | 472 | 626 | 554 | 475 |
| Rotation speed n | 1/min | 2920 | 2860 | 2810 | 2838 | 2863 |
| SWL inlet L _{WA5} | dB(A) | 80 | 80 | 81 | 84 | 86 |
| SWL outlet L _{WA6} | dB(A) | 80 | 81 | 82 | 85 | 87 |
| SWL housing break out L _{WA2} | dB(A) | - | - | - | - | - |

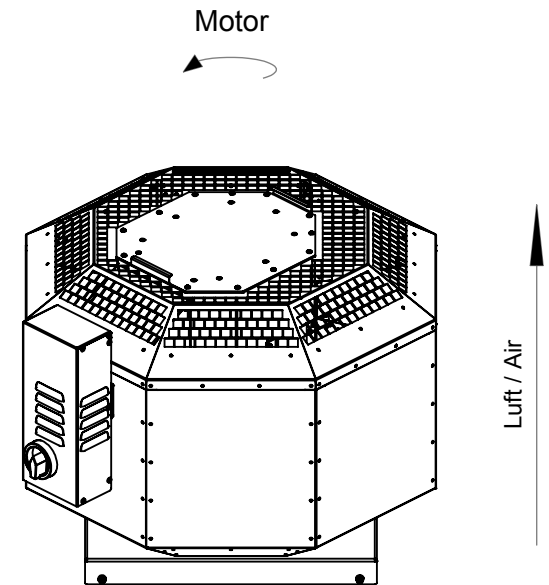
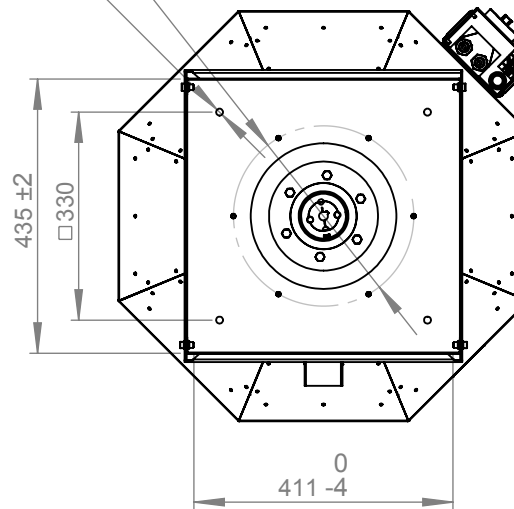
| Sound power (L _W) dB(A) | | Medium Frequency Band | | | | | | | | |
|-------------------------------------|------------------|-----------------------|----|-----|-----|-----|----|----|----|----|
| | | Σ | 63 | 125 | 250 | 500 | 1k | 2k | 4k | 8k |
| Inlet | L _{WA5} | 81 | 51 | 62 | 72 | 76 | 73 | 71 | 72 | 69 |
| Outlet | L _{WA6} | 82 | 56 | 70 | 78 | 75 | 74 | 69 | 64 | 61 |
| Housing radiation | L _{WA2} | - | - | - | - | - | - | - | - | - |

| DVNI 280 D2 F4 30 144617 | |
|--|----------|
| Voltage U _N | 400 V 3~ |
| Current I _{max} | 1,1 A |
| Ambient temperature t _A | 50 °C |
| Conveyed medium temperature t _M | 200 °C |
| Speed Control | f |
| Motor protection | - |
| Insulation class motor | F |
| Weight | 44,6 kg |
| Number of poles | 2 |
| IP motor | IP55 |
| IP terminal box | - |
| IP complete unit | - |
| Min. operating temperature | -20 °C |

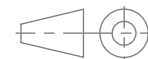


Ø 286
6x M6x15

4x Ø 11



ruck^{eu}
VENTILATOREN
ruck Ventilatoren
Max-Planck-Str. 5
D-97944 Boxberg



Protection Mark
according to ISO16016

Created a.mezei
Drawn a.mezei
Released d.hancu
Disabled

1:12 A4 mm

General tolerances
DIN ISO 2768-c

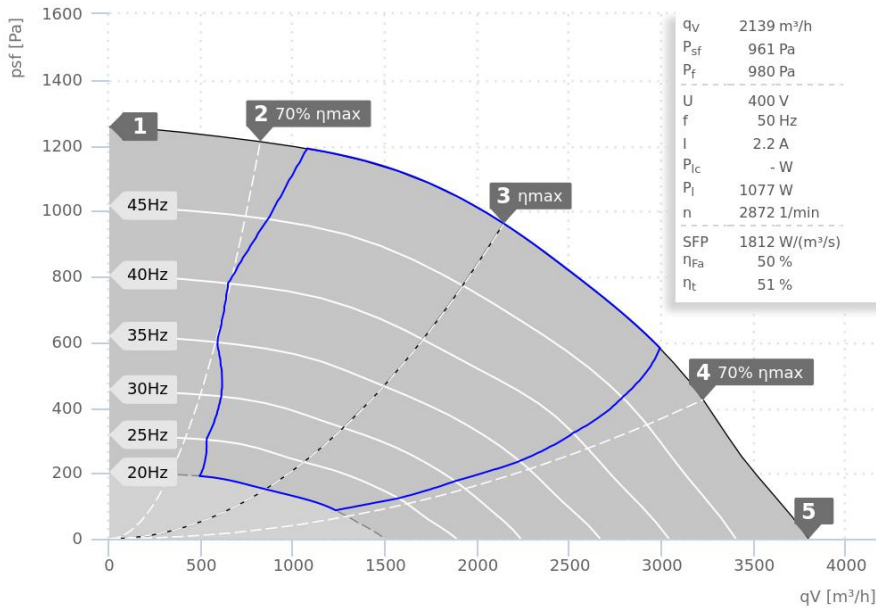
DVNI280D2F430

144617 00

VENTAS
VENTILATORER

DATA SHEET

DVNI 315 D2 F4 30 | 144618



— ErP compliant range

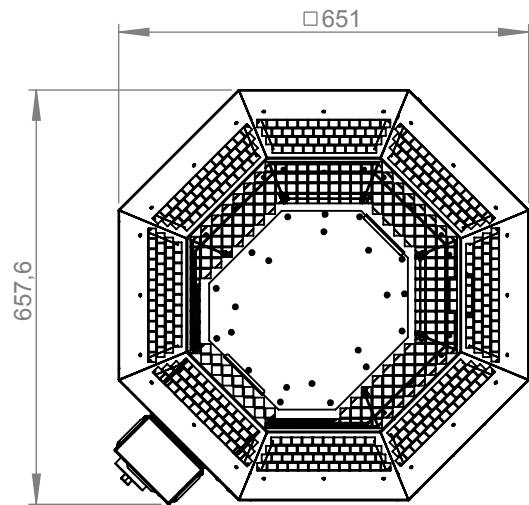
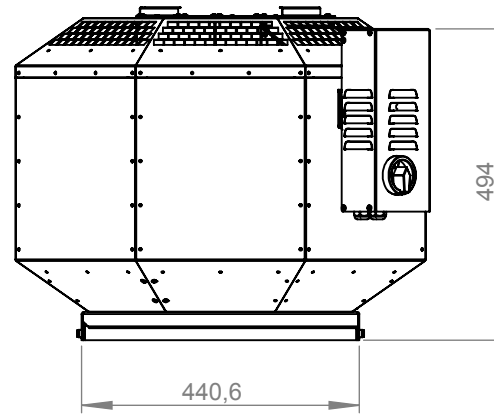
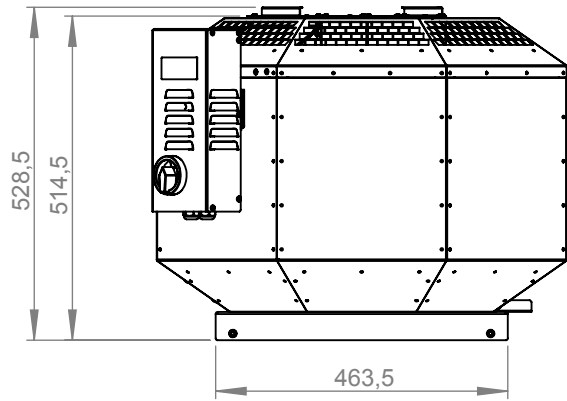


- 200 °C continuous operation and 400 °C / 120 min.
- Motor outside of air stream
- Speed controllable
- Drain tray
- Sound insulated
- Certified according to EN 12101-3:2015 with Certificate 0370-CPR-3994
- Star-Delta operation possible
- Star: direct 400V 3~ grid or frequency converter with 400V output
- Delta: direct 230V 3~ grid or frequency converter with 230V 1~ input and 230V 3~ output
- Frequency converter with Fire-Mode function (optional)

| Operating Point | | 1 | 2 | 3 | 4 | 5 |
|--|-------|------|------|------|------|------|
| Current I | A | 1,6 | 1,8 | 2,2 | 2,1 | 1,9 |
| Power consumption P _i | W | 448 | 748 | 1077 | 1015 | 835 |
| Rotation speed n | 1/min | 2949 | 2913 | 2872 | 2883 | 2914 |
| SWL inlet L _{WA5} | dB(A) | 84 | 83 | 81 | 87 | 89 |
| SWL outlet L _{WA6} | dB(A) | 83 | 82 | 80 | 85 | 88 |
| SWL housing break out L _{WA2} | dB(A) | - | - | - | - | - |

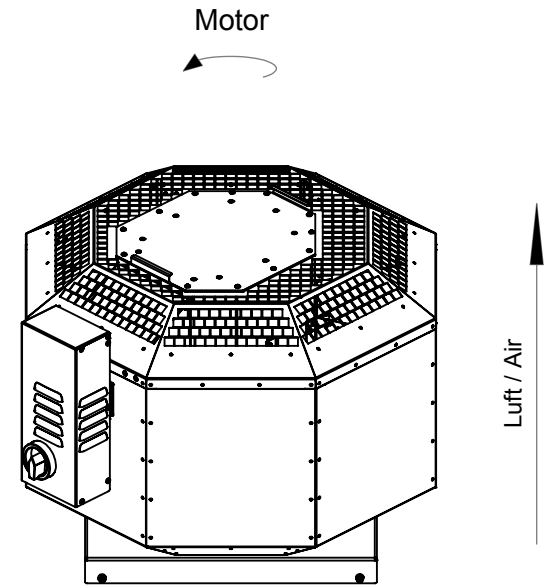
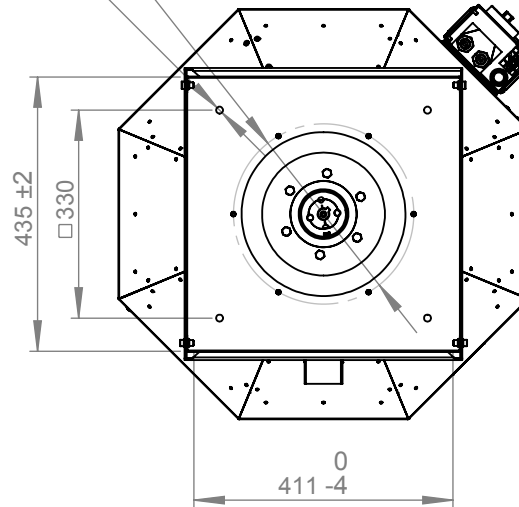
| Sound power (L _W) dB(A) | | Medium Frequency Band | | | | | | | | |
|-------------------------------------|------------------|-----------------------|----|-----|-----|-----|----|----|----|----|
| | | Σ | 63 | 125 | 250 | 500 | 1k | 2k | 4k | 8k |
| Inlet | L _{WA5} | 81 | 52 | 62 | 74 | 76 | 74 | 74 | 72 | 66 |
| Outlet | L _{WA6} | 80 | 53 | 63 | 77 | 74 | 72 | 70 | 67 | 60 |
| Housing radiation | L _{WA2} | - | - | - | - | - | - | - | - | - |

| DVNI 315 D2 F4 30 144618 | |
|--|----------|
| Voltage U _N | 400 V 3~ |
| Current I _{max} | 2,3 A |
| Ambient temperature t _A | 50 °C |
| Conveyed medium temperature t _M | 200 °C |
| Speed Control | f |
| Motor protection | - |
| Insulation class motor | F |
| Weight | 49,1 kg |
| Number of poles | 2 |
| IP motor | IP55 |
| IP terminal box | - |
| IP complete unit | - |
| Min. operating temperature | -20 °C |

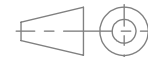


Ø 286
6x M6x15

4x Ø 11



ruck^{eu}
VENTILATOREN
ruck Ventilatoren
Max-Planck-Str. 5
D-97944 Boxberg



Protection Mark
according to ISO16016

Created a.mezei
Drawn a.mezei
Released d.hancu
Disabled

1:12 A4 mm

General tolerances
DIN ISO 2768-c

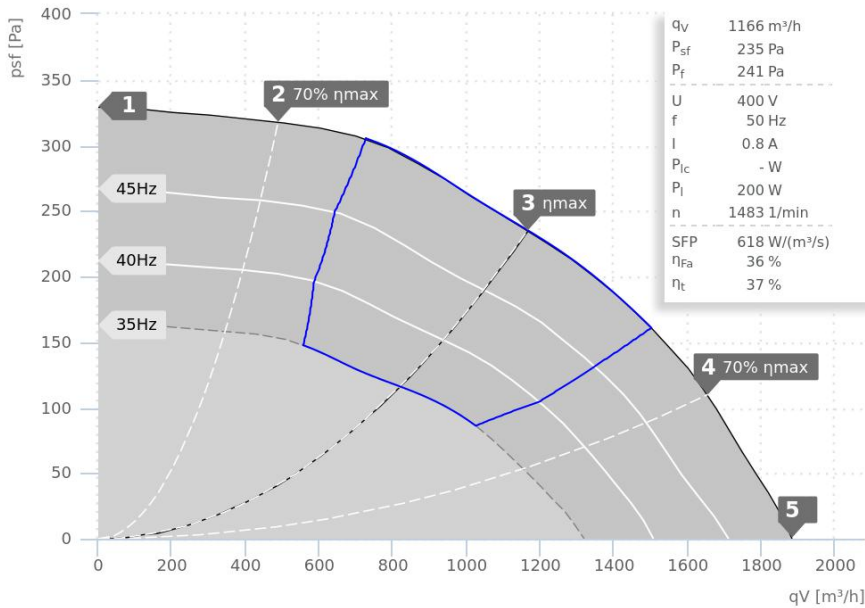
DVNI315D2F430

144618 00

VENTAS
VENTILATORER

DATA SHEET

DVNI 315 D4 F4 30 | 144619



— ErP compliant range

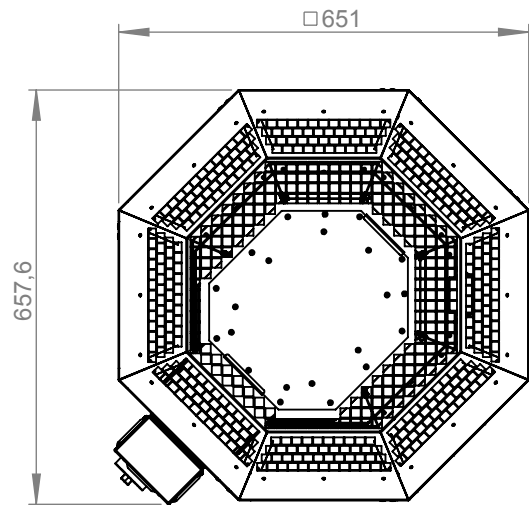
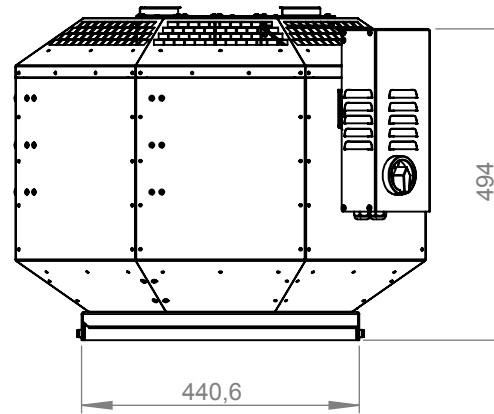
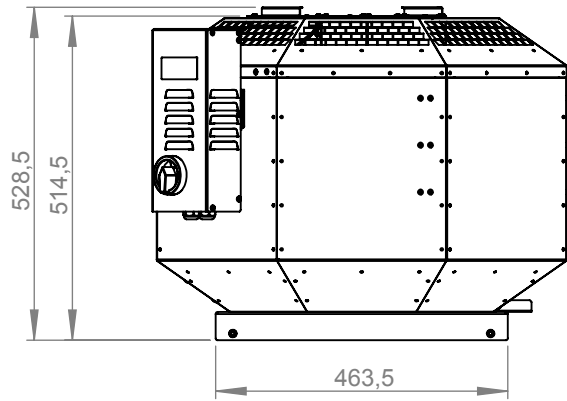


- 200 °C continuous operation and 400 °C / 120 min.
- Motor outside of air stream
- Speed controllable
- Drain tray
- Sound insulated
- Certified according to EN 12101-3:2015 with Certificate 0370-CPR-3994
- Star-Delta operation possible
- Star: direct 400V 3~ grid or frequency converter with 400V output
- Delta: direct 230V 3~ grid or frequency converter with 230V 1~ input and 230V 3~ output
- Frequency converter with Fire-Mode function (optional)

| Operating Point | | 1 | 2 | 3 | 4 | 5 |
|--|-------|------|------|------|------|------|
| Current I | A | 0,7 | 0,7 | 0,7 | 0,7 | 0,7 |
| Power consumption P _i | W | 115 | 167 | 200 | 190 | 168 |
| Rotation speed n | 1/min | 1490 | 1487 | 1481 | 1484 | 1486 |
| SWL inlet L _{WA5} | dB(A) | 65 | 65 | 65 | 69 | 72 |
| SWL outlet L _{WA6} | dB(A) | 64 | 64 | 66 | 69 | 71 |
| SWL housing break out L _{WA2} | dB(A) | - | - | - | - | - |

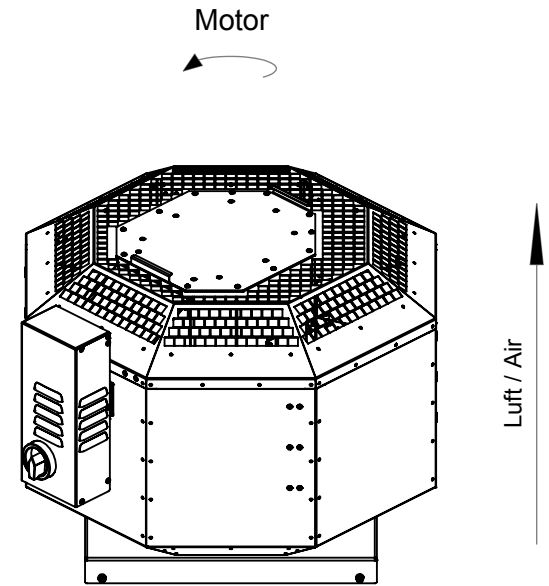
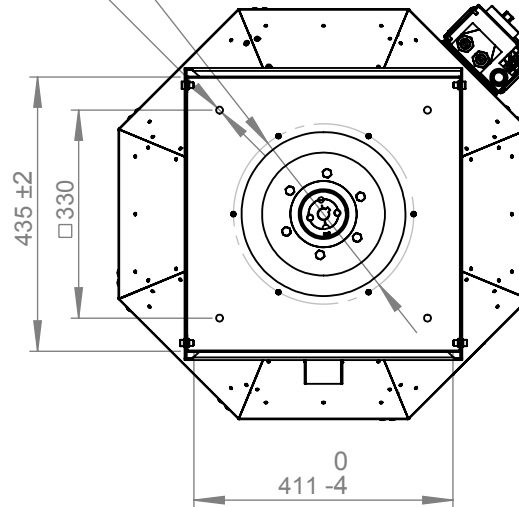
| Sound power (L _W) dB(A) | | Medium Frequency Band | | | | | | | | |
|-------------------------------------|------------------|-----------------------|----|-----|-----|-----|----|----|----|----|
| | | Σ | 63 | 125 | 250 | 500 | 1k | 2k | 4k | 8k |
| Inlet | L _{WA5} | 65 | 41 | 53 | 57 | 60 | 57 | 56 | 55 | 55 |
| Outlet | L _{WA6} | 66 | 42 | 58 | 59 | 60 | 60 | 53 | 52 | 51 |
| Housing radiation | L _{WA2} | - | - | - | - | - | - | - | - | - |

| DVNI 315 D4 F4 30 144619 | |
|--|----------|
| Voltage U _N | 400 V 3~ |
| Current I _{max} | 0,8 A |
| Ambient temperature t _A | 50 °C |
| Conveyed medium temperature t _M | 200 °C |
| Speed Control | f |
| Motor protection | - |
| Insulation class motor | F |
| Weight | 48,6 kg |
| Number of poles | 4 |
| IP motor | IP55 |
| IP terminal box | - |
| IP complete unit | - |
| Min. operating temperature | -20 °C |

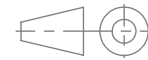


Ø 286
6x M6x15

4x Ø 11



ruck^{eu}
VENTILATOREN
ruck Ventilatoren
Max-Planck-Str. 5
D-97944 Boxberg



Protection Mark
according to ISO16016

Created a.mezei
Drawn a.mezei
Released d.hancu
Disabled

1:12 A4 mm

General tolerances
DIN ISO 2768-c

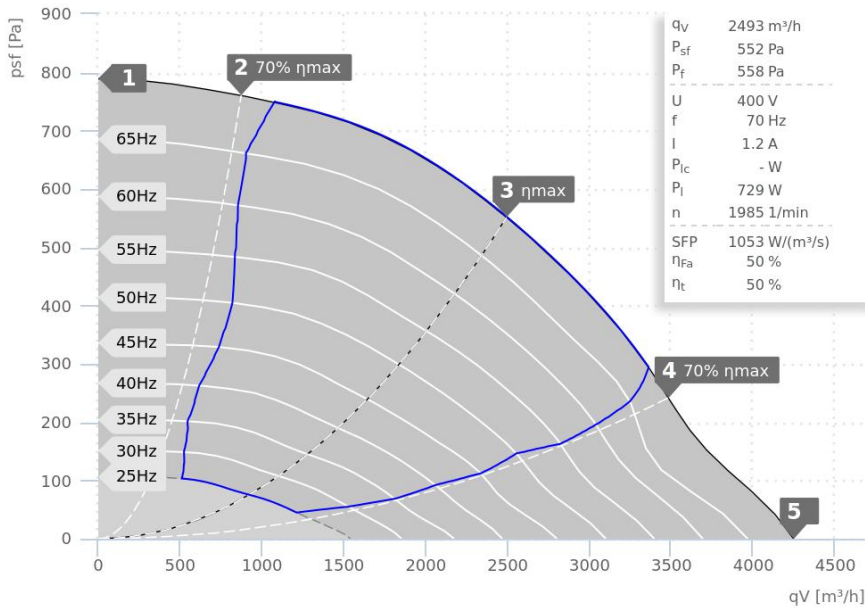
DVNI315D4F430

144619 00

VENTAS
VENTILATORER

DATA SHEET

DVNI 355 D4 F4 30 | 144620



— ErP compliant range

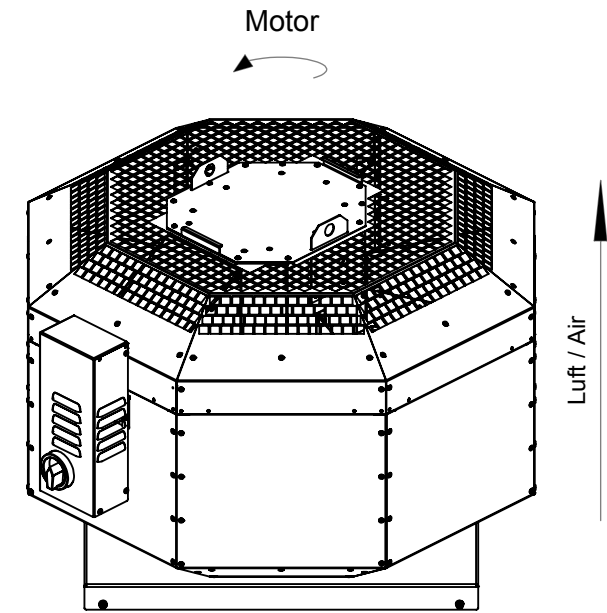
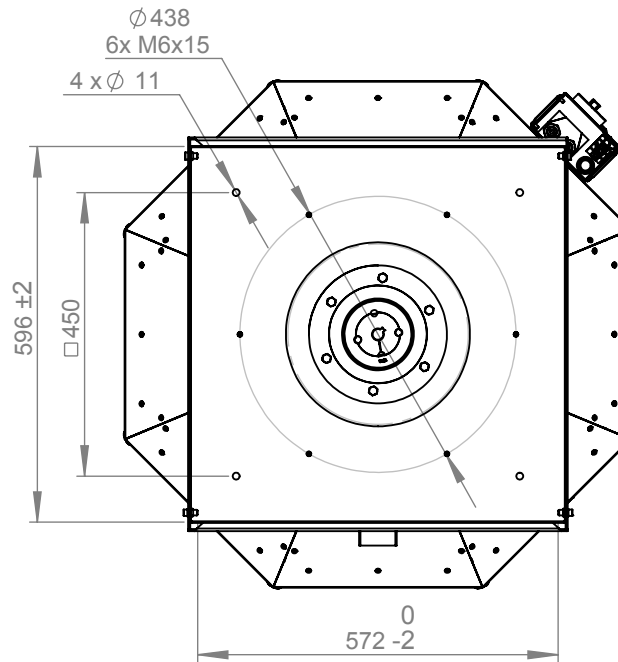
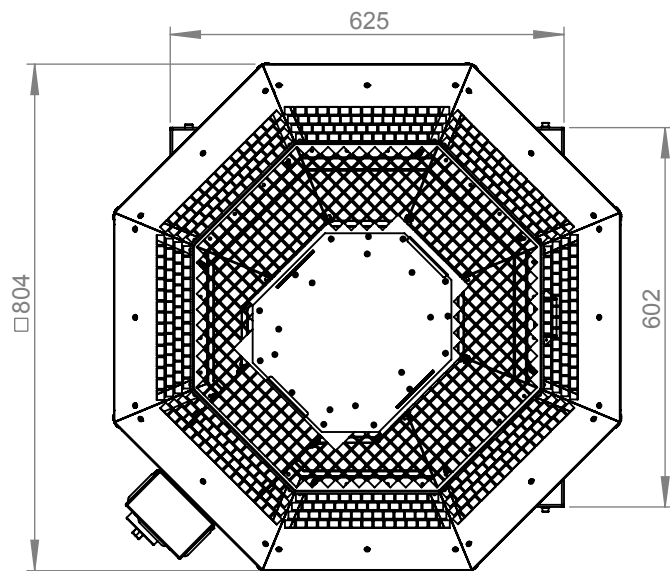
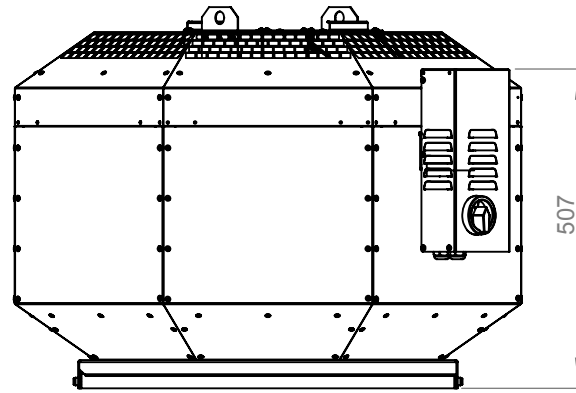
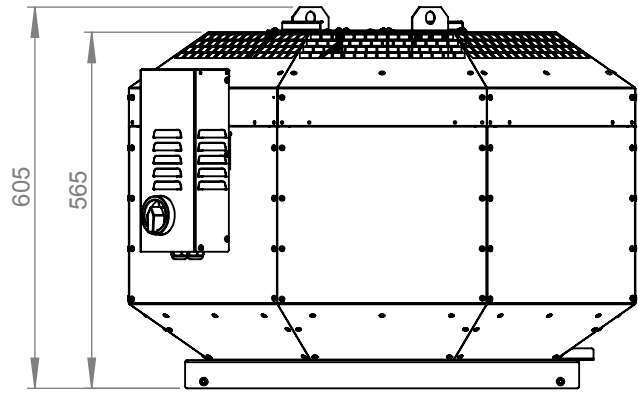


- 200 °C continuous operation and 400 °C / 120 min.
- Motor outside of air stream
- Speed controllable
- Drain tray
- Sound insulated
- Certified according to EN 12101-3:2015 with Certificate 0370-CPR-3994
- Star-Delta operation possible
- Star: direct 400V 3~ grid or frequency converter with 400V output
- Delta: direct 230V 3~ grid or frequency converter with 230V 1~ input and 230V 3~ output
- Frequency converter with Fire-Mode function (optional)

| Operating Point | | 1 | 2 | 3 | 4 | 5 |
|--|-------|------|------|------|------|------|
| Current I | A | 0,6 | 0,9 | 1,2 | 1,1 | 0,9 |
| Power consumption P _i | W | 282 | 506 | 731 | 634 | 525 |
| Rotation speed n | 1/min | 2058 | 2020 | 1986 | 2007 | 2026 |
| SWL inlet L _{WA5} | dB(A) | 77 | 76 | 75 | 79 | 81 |
| SWL outlet L _{WA6} | dB(A) | 76 | 75 | 75 | 80 | 82 |
| SWL housing break out L _{WA2} | dB(A) | - | - | - | - | - |

| Sound power (L _W) dB(A) | | Medium Frequency Band | | | | | | | | |
|-------------------------------------|------------------|-----------------------|----|-----|-----|-----|----|----|----|----|
| | | Σ | 63 | 125 | 250 | 500 | 1k | 2k | 4k | 8k |
| Inlet | L _{WA5} | 75 | 43 | 53 | 64 | 68 | 66 | 71 | 65 | 60 |
| Outlet | L _{WA6} | 75 | 45 | 55 | 72 | 69 | 67 | 64 | 59 | 53 |
| Housing radiation | L _{WA2} | - | - | - | - | - | - | - | - | - |

| DVNI 355 D4 F4 30 144620 | |
|--|----------|
| Voltage U _N | 400 V 3~ |
| Current I _{max} | 1,3 A |
| Ambient temperature t _A | 50 °C |
| Conveyed medium temperature t _M | 200 °C |
| Speed Control | f |
| Motor protection | - |
| Insulation class motor | F |
| Weight | 60,9 kg |
| Number of poles | 4 |
| IP motor | IP55 |
| IP terminal box | - |
| IP complete unit | - |
| Min. operating temperature | -20 °C |



ruck^{eu}
VENTILATOREN
ruck Ventilatoren
Max-Planck-Str. 5
D-97944 Boxberg



Protection Mark
according to ISO 16016

Created a.mezei
Drawn a.mezei
Released v.brand
Disabled

1:12 A4 mm

General tolerances
DIN ISO 2768-c

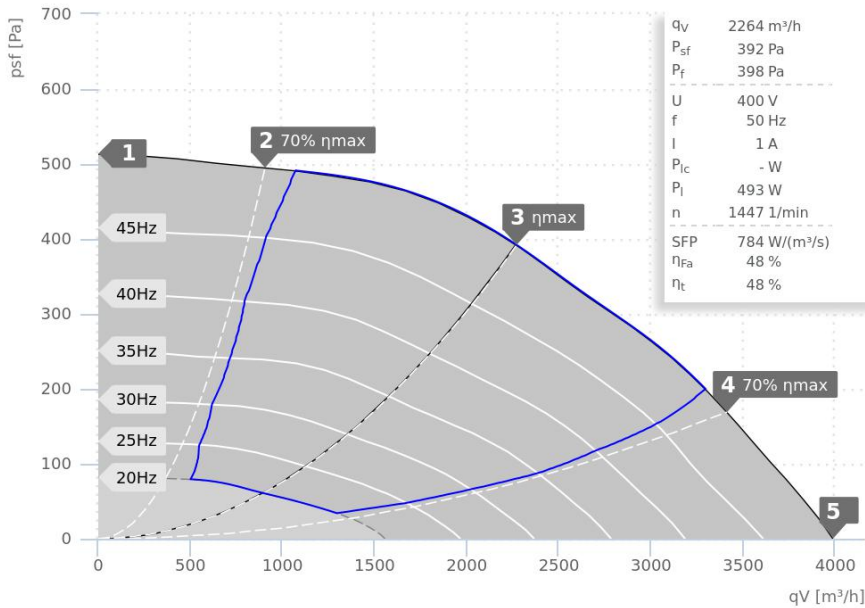
DVNI355D4F430+

144620 00

VENTAS
VENTILATORER

DATA SHEET

DVNI 400 D4 F4 30 | 144621



— ErP compliant range

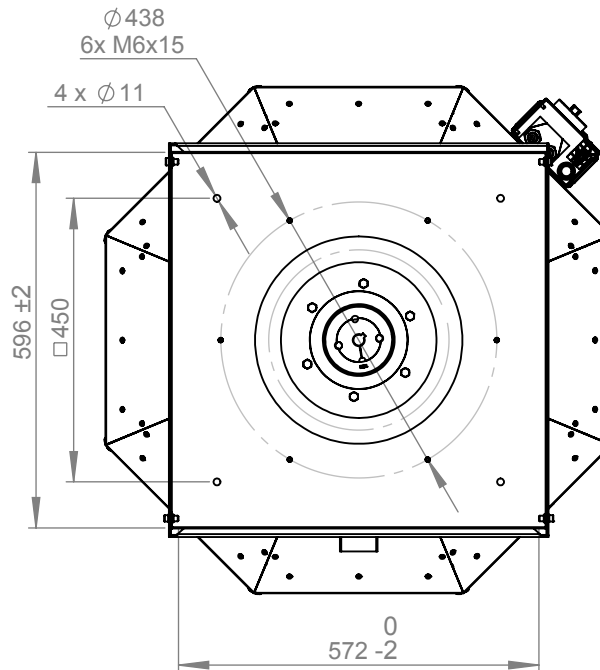
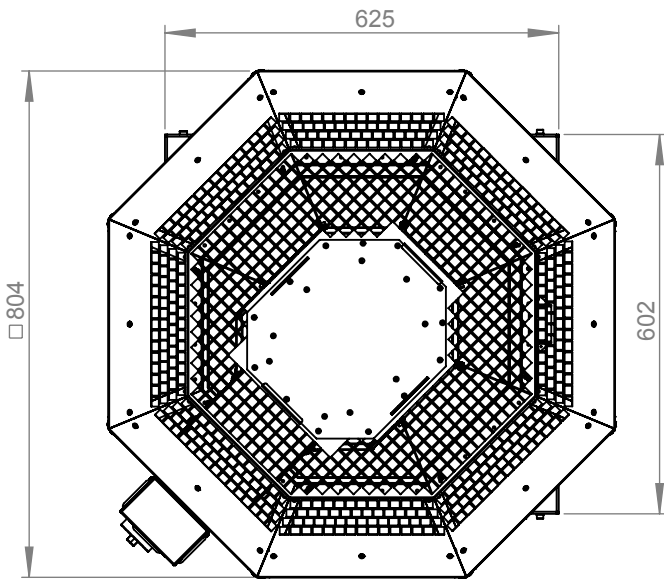
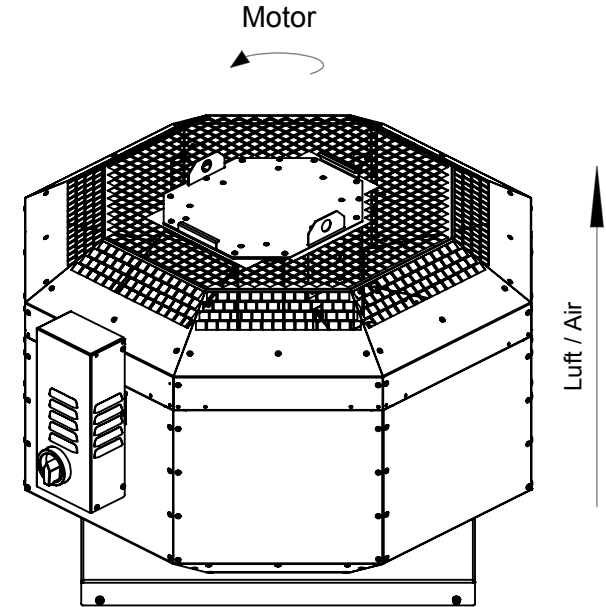
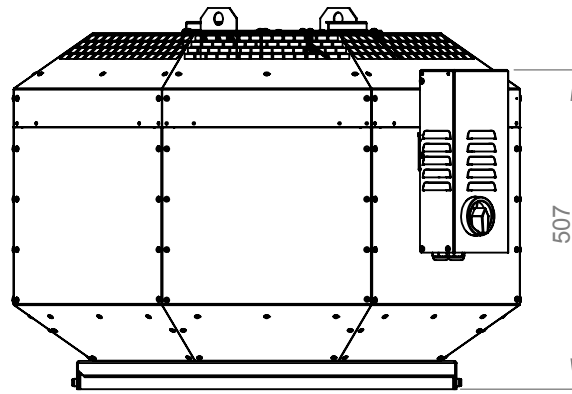
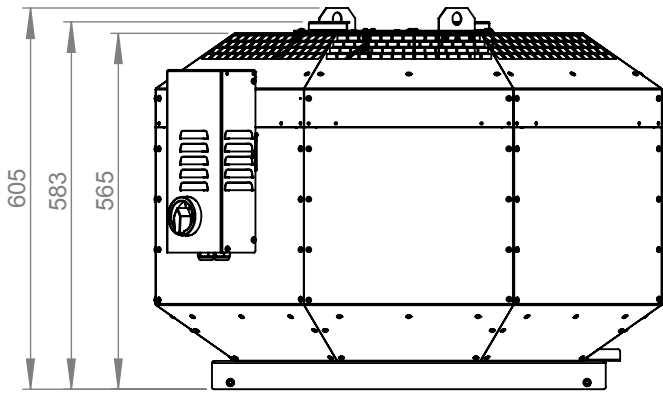


- 200 °C continuous operation and 400 °C / 120 min.
- Motor outside of air stream
- Speed controllable
- Drain tray
- Sound insulated
- Certified according to EN 12101-3:2015 with Certificate 0370-CPR-3994
- Star-Delta operation possible
- Star: direct 400V 3~ grid or frequency converter with 400V output
- Delta: direct 230V 3~ grid or frequency converter with 230V 1~ input and 230V 3~ output
- Frequency converter with Fire-Mode function (optional)

| Operating Point | | 1 | 2 | 3 | 4 | 5 |
|--|-------|------|------|------|------|------|
| Current I | A | 0,8 | 0,9 | 1,0 | 0,9 | 0,9 |
| Power consumption P _l | W | 213 | 364 | 495 | 453 | 370 |
| Rotation speed n | 1/min | 1477 | 1462 | 1448 | 1451 | 1462 |
| SWL inlet L _{WA5} | dB(A) | 76 | 76 | 76 | 78 | 80 |
| SWL outlet L _{WA6} | dB(A) | 72 | 71 | 72 | 75 | 78 |
| SWL housing break out L _{WA2} | dB(A) | - | - | - | - | - |

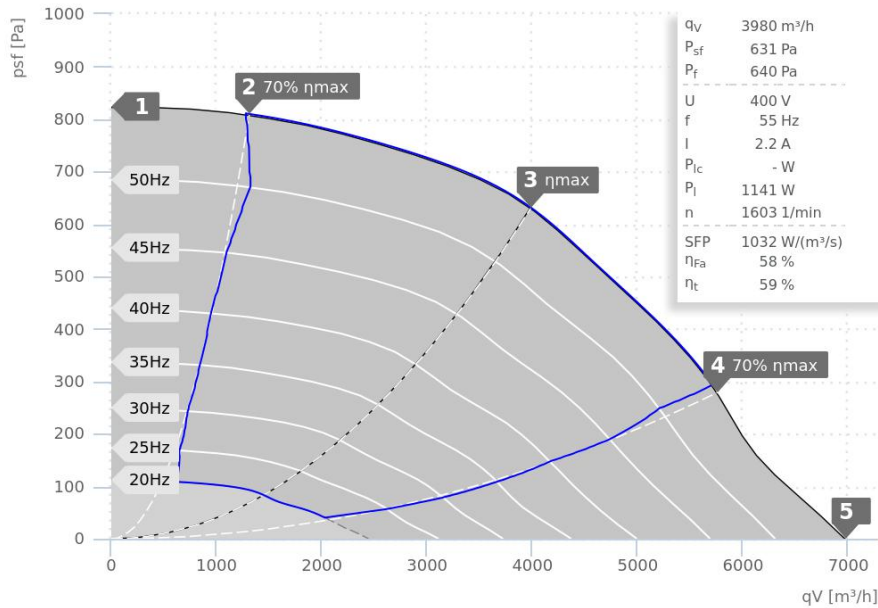
| Sound power (L _W) dB(A) | | Medium Frequency Band | | | | | | | | |
|-------------------------------------|------------------|-----------------------|----|-----|-----|-----|----|----|----|----|
| | | Σ | 63 | 125 | 250 | 500 | 1k | 2k | 4k | 8k |
| Inlet | L _{WA5} | 76 | 51 | 62 | 65 | 69 | 69 | 69 | 70 | 61 |
| Outlet | L _{WA6} | 72 | 48 | 65 | 65 | 67 | 65 | 59 | 56 | 51 |
| Housing radiation | L _{WA2} | - | - | - | - | - | - | - | - | - |

| DVNI 400 D4 F4 30 144621 | |
|--|----------|
| Voltage U _N | 400 V 3~ |
| Current I _{max} | 1,0 A |
| Ambient temperature t _A | 50 °C |
| Conveyed medium temperature t _M | 200 °C |
| Speed Control | f |
| Motor protection | - |
| Insulation class motor | F |
| Weight | 62,8 kg |
| Number of poles | 4 |
| IP motor | IP55 |
| IP terminal box | - |
| IP complete unit | - |
| Min. operating temperature | -20 °C |



DATA SHEET

DVNI 450 D4 F4 30 | 144622



— ErP compliant range

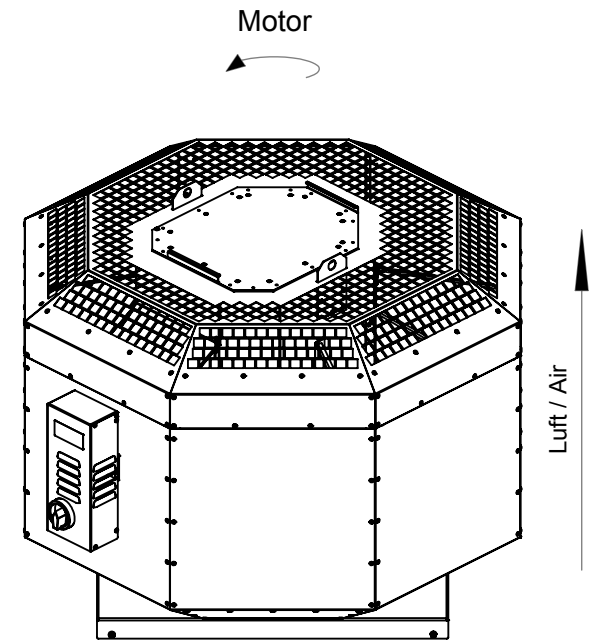
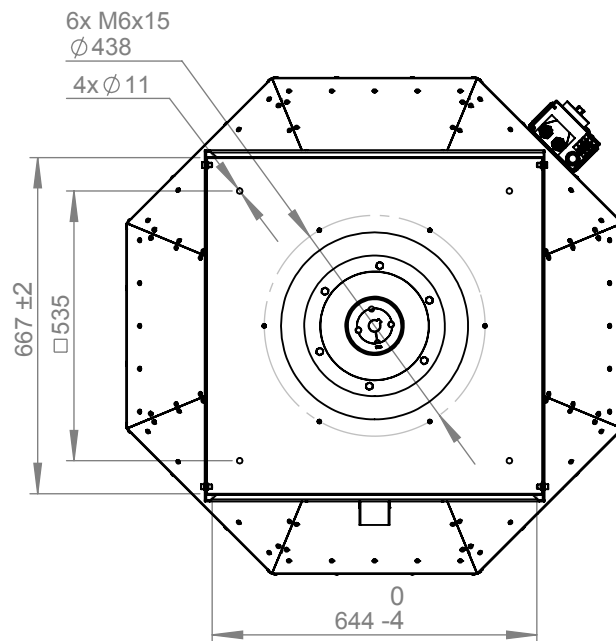
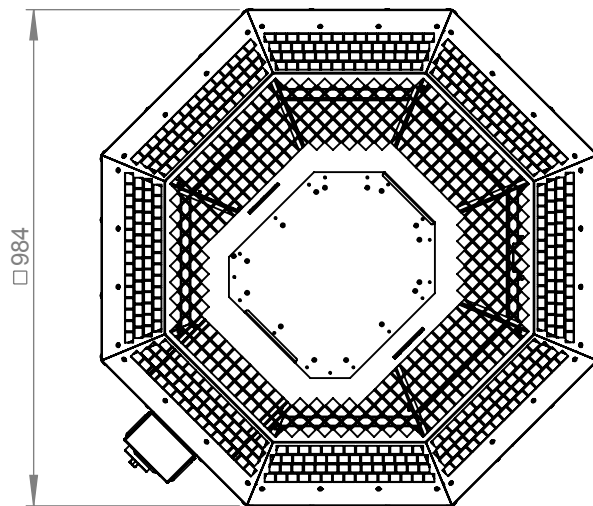
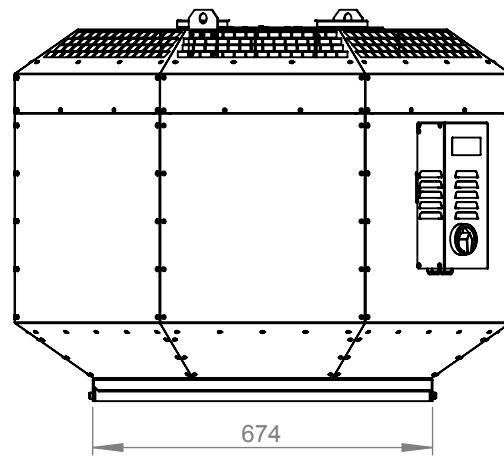
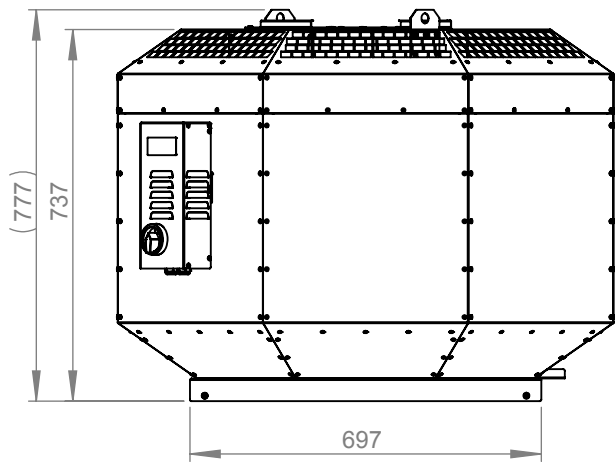


- 200 °C continuous operation and 400 °C / 120 min.
- Motor outside of air stream
- Speed controllable
- Drain tray
- Sound insulated
- Certified according to EN 12101-3:2015 with Certificate 0370-CPR-3994
- Star-Delta operation possible
- Star: direct 400V 3~ grid or frequency converter with 400V output
- Delta: direct 230V 3~ grid or frequency converter with 230V 1~ input and 230V 3~ output
- Frequency converter with Fire-Mode function (optional)

| Operating Point | | 1 | 2 | 3 | 4 | 5 |
|--|-------|------|------|------|------|------|
| Current I | A | 1,4 | 1,7 | 2,2 | 2,1 | 1,8 |
| Power consumption P _i | W | 393 | 691 | 1145 | 1039 | 859 |
| Rotation speed n | 1/min | 1631 | 1623 | 1606 | 1613 | 1620 |
| SWL inlet L _{WA5} | dB(A) | 77 | 77 | 76 | 81 | 84 |
| SWL outlet L _{WA6} | dB(A) | 77 | 77 | 77 | 82 | 84 |
| SWL housing break out L _{WA2} | dB(A) | - | - | - | - | - |

| Sound power (L _W) dB(A) | | Medium Frequency Band | | | | | | | | |
|-------------------------------------|------------------|-----------------------|----|-----|-----|-----|----|----|----|----|
| | | Σ | 63 | 125 | 250 | 500 | 1k | 2k | 4k | 8k |
| Inlet | L _{WA5} | 76 | 41 | 59 | 69 | 70 | 69 | 69 | 66 | 59 |
| Outlet | L _{WA6} | 77 | 53 | 65 | 75 | 71 | 68 | 64 | 61 | 53 |
| Housing radiation | L _{WA2} | - | - | - | - | - | - | - | - | - |

| DVNI 450 D4 F4 30 144622 | |
|--|----------|
| Voltage U _N | 400 V 3~ |
| Current I _{max} | 2,3 A |
| Ambient temperature t _A | 50 °C |
| Conveyed medium temperature t _M | 200 °C |
| Speed Control | f |
| Motor protection | - |
| Insulation class motor | F |
| Weight | 103,4 kg |
| Number of poles | 4 |
| IP motor | IP55 |
| IP terminal box | - |
| IP complete unit | - |
| Min. operating temperature | -20 °C |



Protection Mark
according to ISO16016

Created d.ursu
Drawn d.ursu
Released d.hancu
Disabled

1:15 A4 mm

General tolerances
DIN ISO 2768-c

04.06.2018
04.06.2018
06.05.2019

DVNI450D4F430+

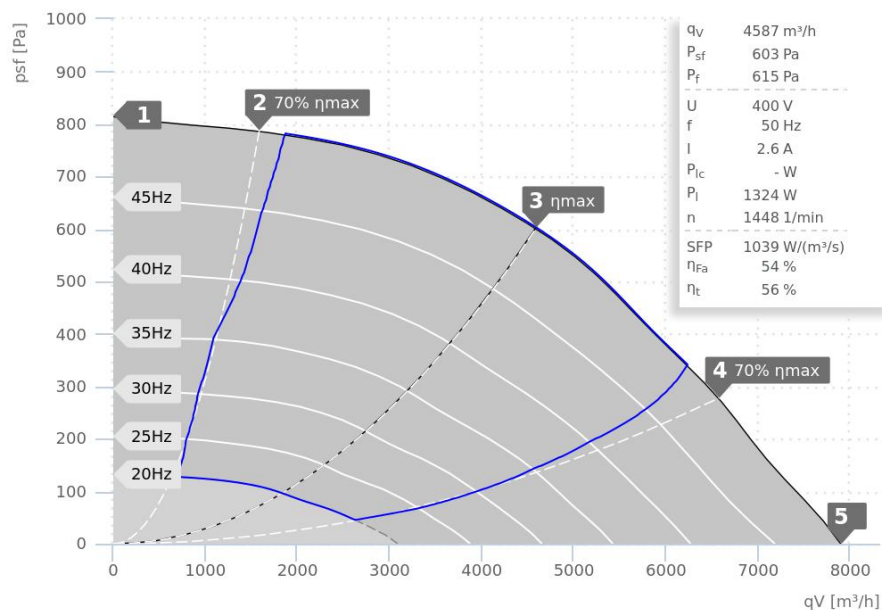
144622 00



DATA SHEET

ruck.eu
VENTILATOREN

DVNI 500 D4 F4 30 | 144623



— ErP compliant range

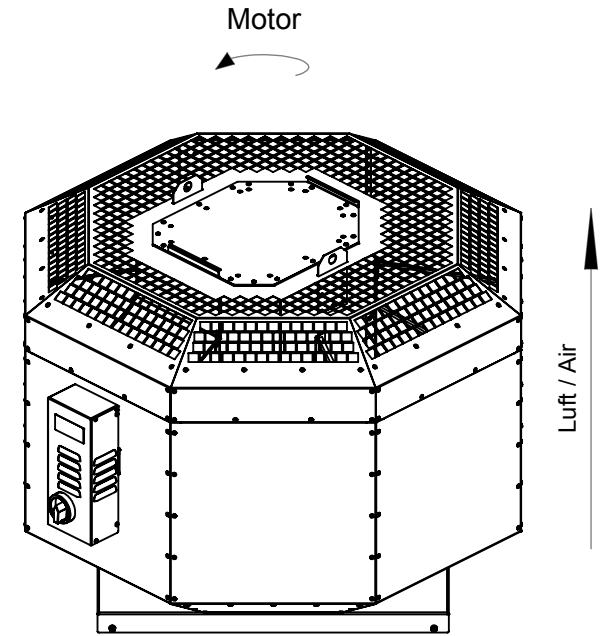
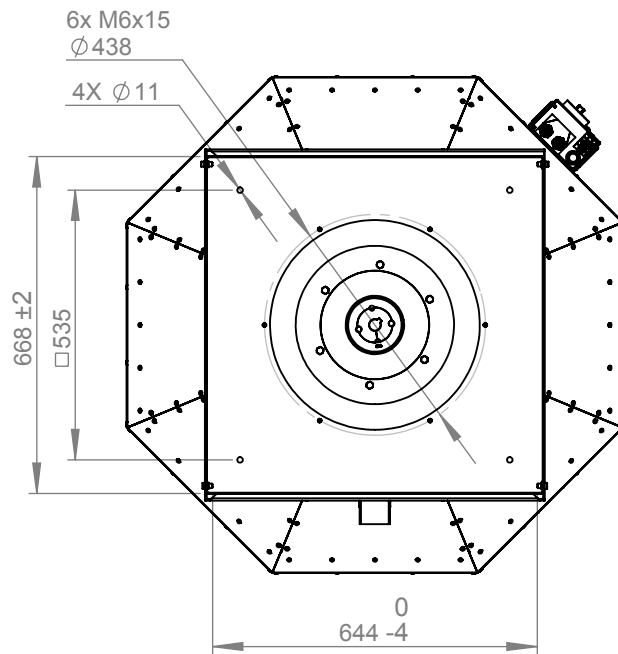
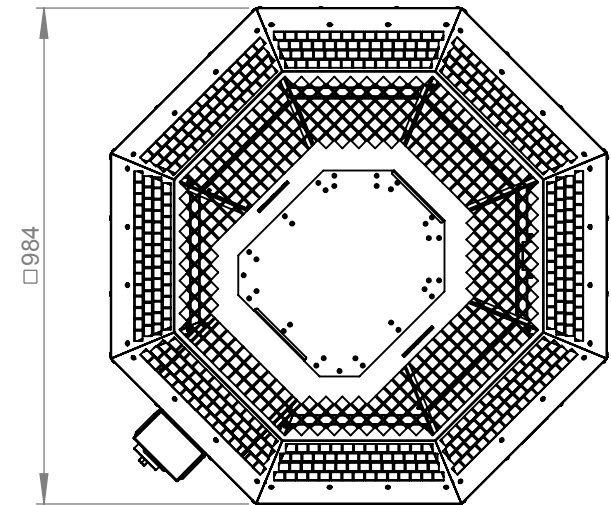
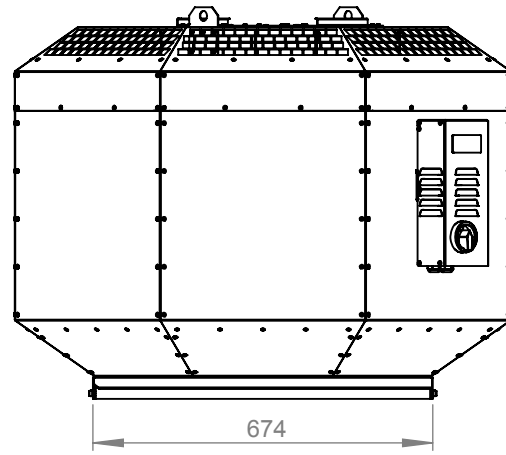
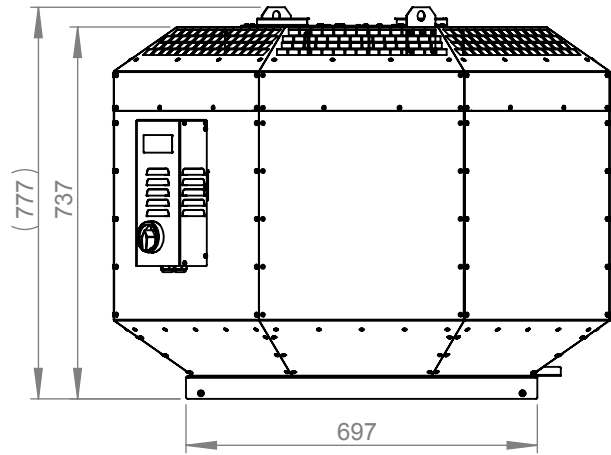


- 200 °C continuous operation and 400 °C / 120 min.
- Motor outside of air stream
- Speed controllable
- Drain tray
- Sound insulated
- Certified according to EN 12101-3:2015 with Certificate 0370-CPR-3994
- Star-Delta operation possible
- Star: direct 400V 3~ grid or frequency converter with 400V output
- Delta: direct 230V 3~ grid or frequency converter with 230V 1~ input and 230V 3~ output
- Frequency converter with Fire-Mode function (optional)

| Operating Point | | 1 | 2 | 3 | 4 | 5 |
|--|-------|------|------|------|------|------|
| Current I | A | 1,7 | 2,0 | 2,6 | 2,5 | 2,2 |
| Power consumption P _i | W | 458 | 866 | 1331 | 1250 | 999 |
| Rotation speed n | 1/min | 1476 | 1469 | 1451 | 1457 | 1464 |
| SWL inlet L _{WA5} | dB(A) | 78 | 77 | 78 | 81 | 84 |
| SWL outlet L _{WA6} | dB(A) | 78 | 78 | 80 | 83 | 85 |
| SWL housing break out L _{WA2} | dB(A) | - | - | - | - | - |

| Sound power (L _W) dB(A) | | Medium Frequency Band | | | | | | | | |
|-------------------------------------|------------------|-----------------------|----|-----|-----|-----|----|----|----|----|
| | | Σ | 63 | 125 | 250 | 500 | 1k | 2k | 4k | 8k |
| Inlet | L _{WA5} | 78 | 46 | 71 | 70 | 70 | 71 | 70 | 65 | 61 |
| Outlet | L _{WA6} | 80 | 49 | 76 | 73 | 72 | 70 | 66 | 62 | 56 |
| Housing radiation | L _{WA2} | - | - | - | - | - | - | - | - | - |

| DVNI 500 D4 F4 30 144623 | |
|--|----------|
| Voltage U _N | 400 V 3~ |
| Current I _{max} | 2,7 A |
| Ambient temperature t _A | 50 °C |
| Conveyed medium temperature t _M | 200 °C |
| Speed Control | f |
| Motor protection | - |
| Insulation class motor | F |
| Weight | 105,0 kg |
| Number of poles | 4 |
| IP motor | IP55 |
| IP terminal box | - |
| IP complete unit | - |
| Min. operating temperature | -20 °C |



1:15 A4 mm

Protection Mark according to ISO16016

General tolerances DIN ISO 2768-c

DVNI500D4F430+

Created d.ursu
 Drawn d.ursu
 Released d.hancu
 Disabled

05.06.2018
 05.06.2018
 06.05.2019

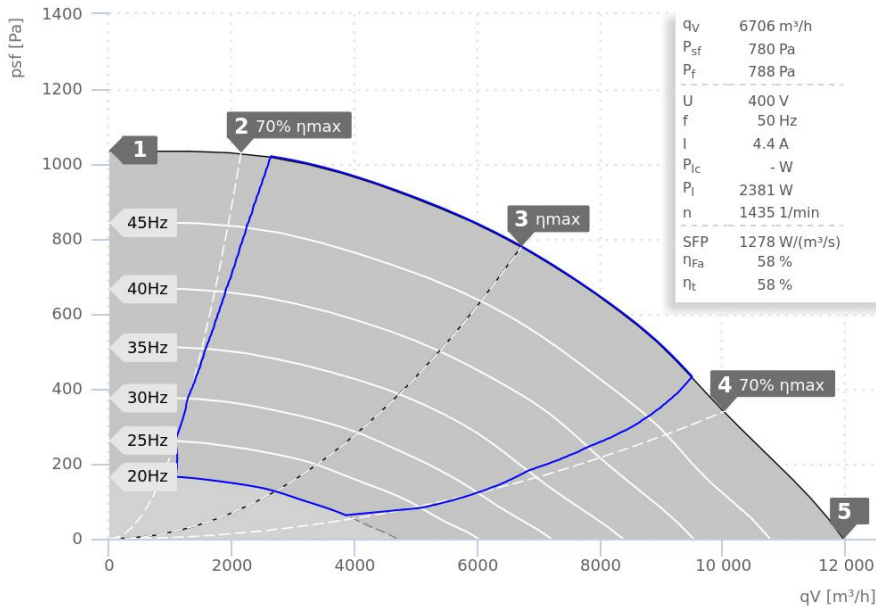
144623 00



DATA SHEET

ruck.eu
VENTILATOREN

DVNI 560 D4 F4 30 | 144624



— ErP compliant range

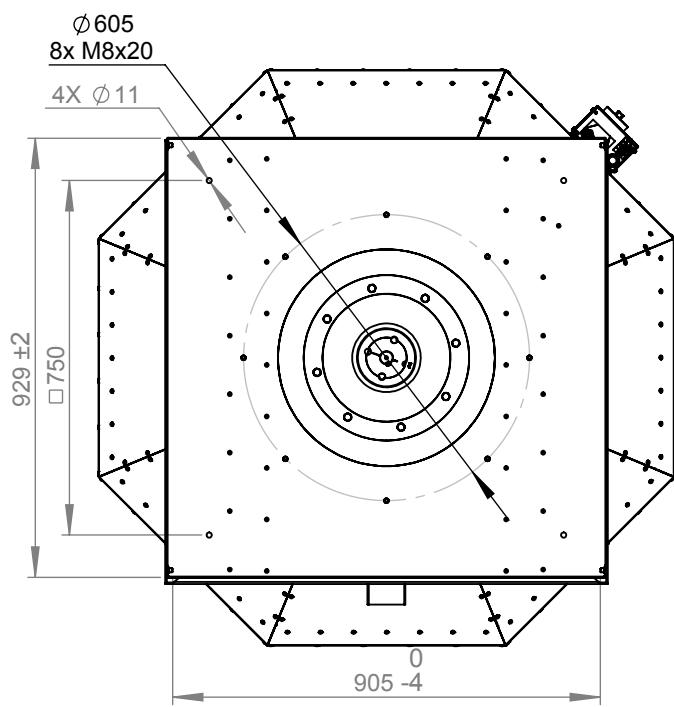
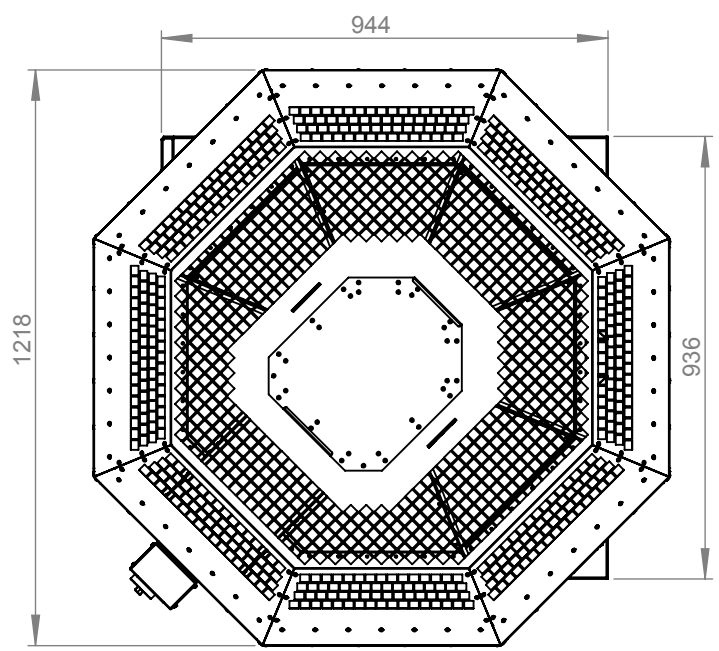
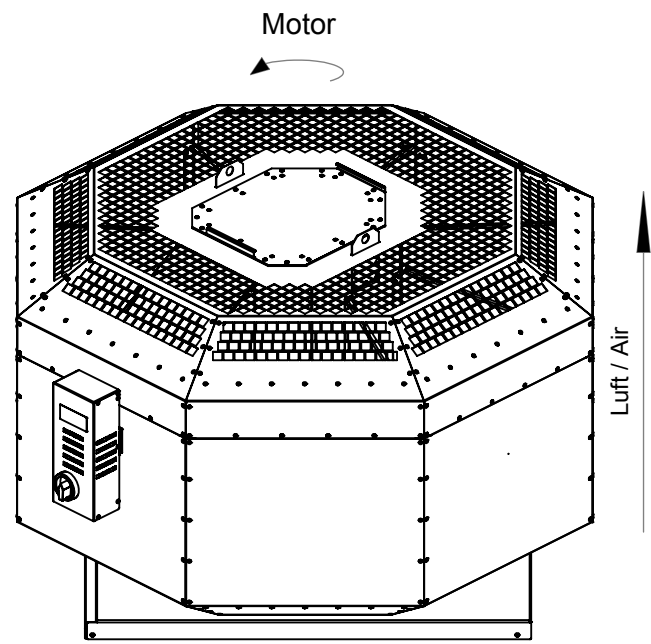
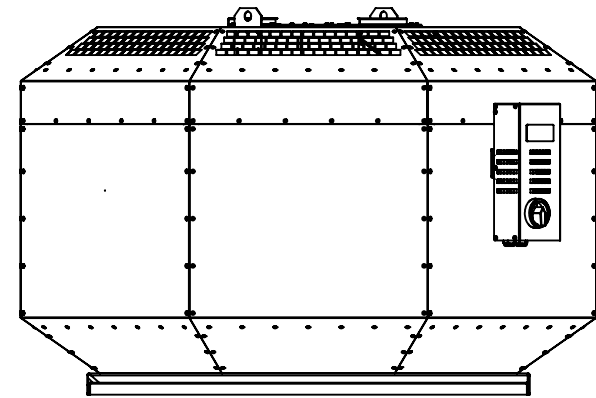
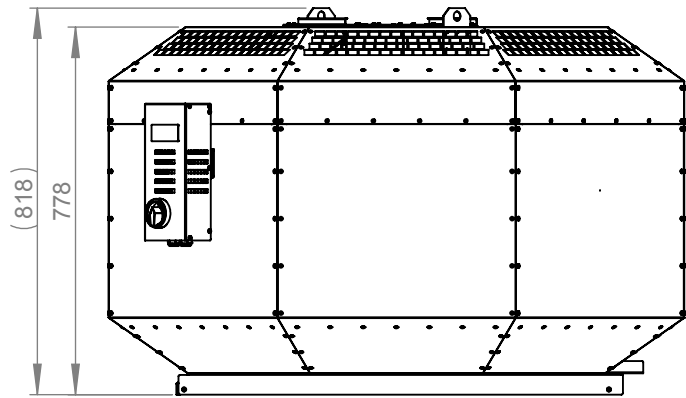


- 200 °C continuous operation and 400 °C / 120 min.
- Motor outside of air stream
- Speed controllable
- Drain tray
- Sound insulated
- Certified according to EN 12101-3:2015 with Certificate 0370-CPR-3994
- Star-Delta operation possible
- Star: direct 400V 3~ grid or frequency converter with 400V output
- Delta: direct 230V 3~ grid or frequency converter with 230V 1~ input and 230V 3~ output
- Frequency converter with Fire-Mode function (optional)

| Operating Point | | 1 | 2 | 3 | 4 | 5 |
|--|-------|------|------|------|------|------|
| Current I | A | 2,6 | 3,2 | 4,4 | 4,2 | 3,6 |
| Power consumption P _i | W | 827 | 1451 | 2391 | 2204 | 1793 |
| Rotation speed n | 1/min | 1472 | 1459 | 1437 | 1446 | 1458 |
| SWL inlet L _{WA5} | dB(A) | 81 | 81 | 80 | 86 | 88 |
| SWL outlet L _{WA6} | dB(A) | 81 | 81 | 80 | 85 | 89 |
| SWL housing break out L _{WA2} | dB(A) | - | - | - | - | - |

| Sound power (L _W) dB(A) | | Medium Frequency Band | | | | | | | | |
|-------------------------------------|------------------|-----------------------|----|-----|-----|-----|----|----|----|----|
| | | Σ | 63 | 125 | 250 | 500 | 1k | 2k | 4k | 8k |
| Inlet | L _{WA5} | 80 | 47 | 74 | 74 | 72 | 73 | 72 | 67 | 62 |
| Outlet | L _{WA6} | 80 | 54 | 76 | 74 | 72 | 71 | 70 | 66 | 58 |
| Housing radiation | L _{WA2} | - | - | - | - | - | - | - | - | - |

| DVNI 560 D4 F4 30 144624 | |
|--|----------|
| Voltage U _N | 400 V 3~ |
| Current I _{max} | 4,7 A |
| Ambient temperature t _A | 50 °C |
| Conveyed medium temperature t _M | 200 °C |
| Speed Control | f |
| Motor protection | - |
| Insulation class motor | F |
| Weight | 152,0 kg |
| Number of poles | 4 |
| IP motor | IP55 |
| IP terminal box | - |
| IP complete unit | - |
| Min. operating temperature | -20 °C |



Protection Mark
according to ISO16016

Created a.mezei
Drawn a.mezei
Released d.hancu
Disabled

1:16 A4 mm

General tolerances
DIN ISO 2768-c

16.04.2018
16.04.2018
06.05.2019

DVNI560D4F430

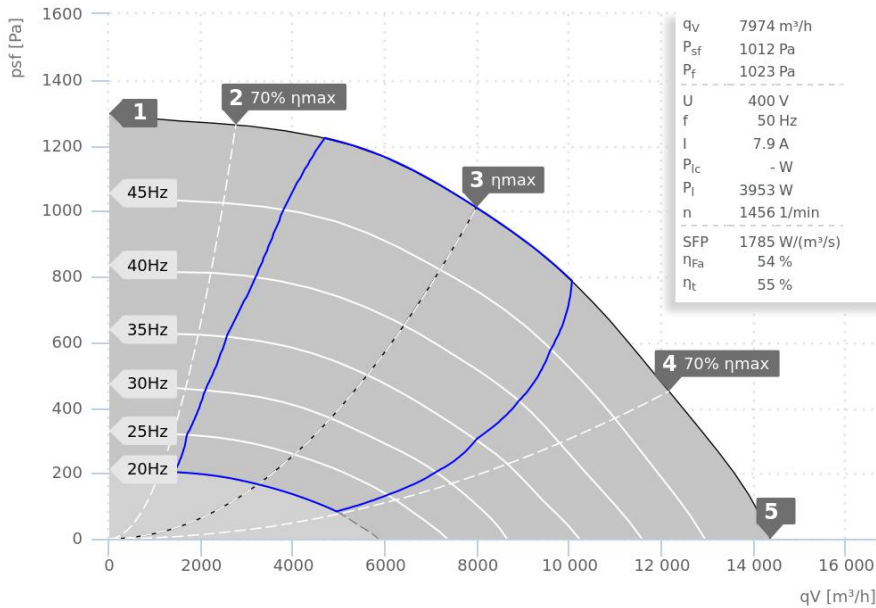
144624 00



DATA SHEET

ruck.eu
VENTILATOREN

DVNI 630 D4 F4 30 | 144625



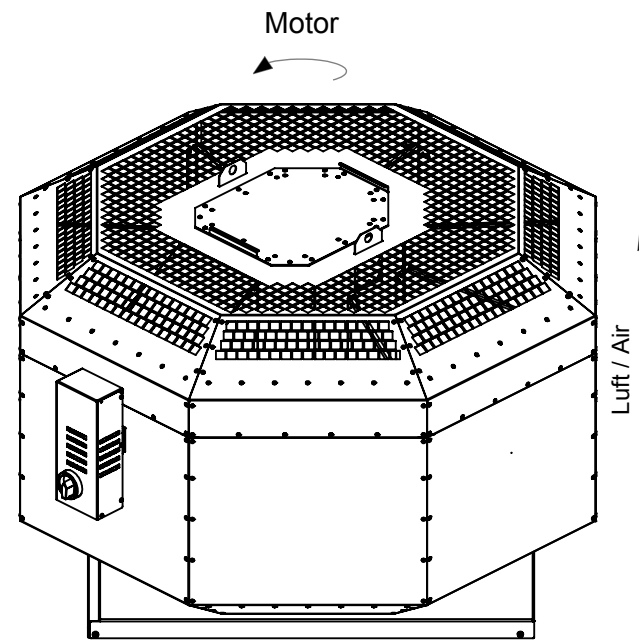
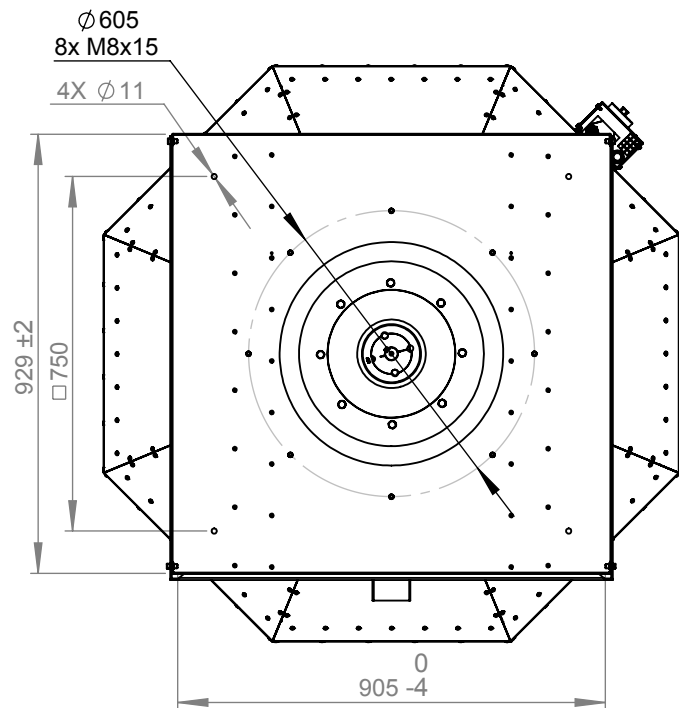
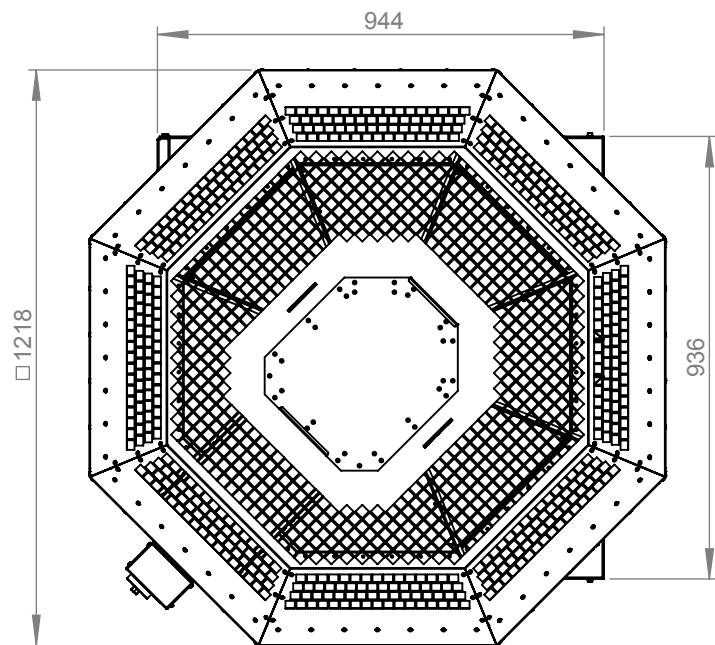
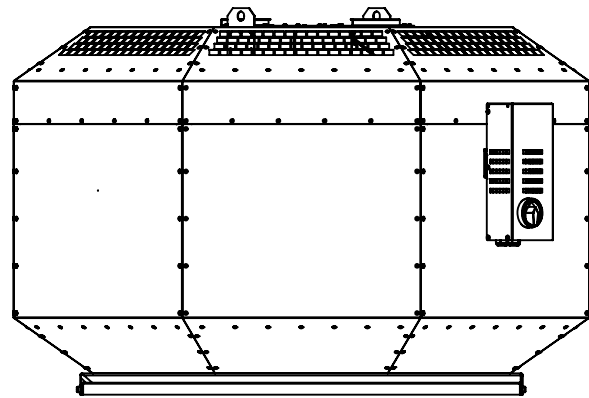
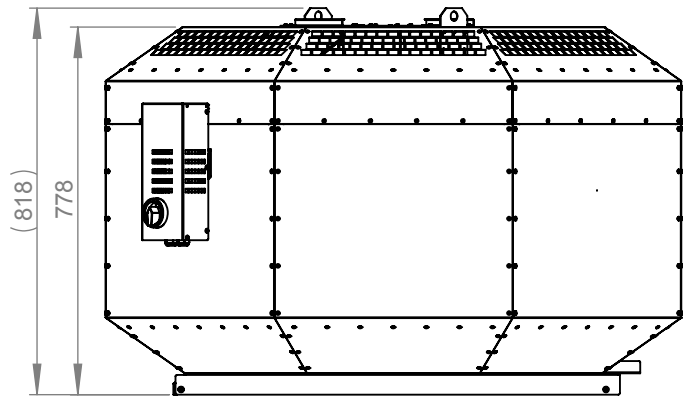
- 200 °C continuous operation and 400 °C / 120 min.
- Motor outside of air stream
- Speed controllable
- Drain tray
- Sound insulated
- Certified according to EN 12101-3:2015 with Certificate 0370-CPR-3994
- Frequency converter with 400V 3~ input and 400V 3~ output
- Frequency converter with Fire-Mode function (optional)

— ErP compliant range

| Operating Point | | 1 | 2 | 3 | 4 | 5 |
|--|-------|------|------|------|------|------|
| Current I | A | 5,2 | 6,1 | 7,9 | 7,7 | 7,6 |
| Power consumption P _i | W | 1302 | 2420 | 3959 | 3836 | 3744 |
| Rotation speed n | 1/min | 1483 | 1470 | 1457 | 1458 | 1460 |
| SWL inlet L _{WA5} | dB(A) | 90 | 90 | 91 | 94 | 95 |
| SWL outlet L _{WA6} | dB(A) | 86 | 86 | 86 | 91 | 94 |
| SWL housing break out L _{WA2} | dB(A) | - | - | - | - | - |

| Sound power (L _W) dB(A) | | Medium Frequency Band | | | | | | | | |
|-------------------------------------|------------------|-----------------------|----|-----|-----|-----|----|----|----|----|
| | | Σ | 63 | 125 | 250 | 500 | 1k | 2k | 4k | 8k |
| Inlet | L _{WA5} | 91 | 63 | 82 | 84 | 85 | 85 | 83 | 79 | 74 |
| Outlet | L _{WA6} | 86 | 63 | 80 | 81 | 79 | 78 | 75 | 72 | 65 |
| Housing radiation | L _{WA2} | - | - | - | - | - | - | - | - | - |

| DVNI 630 D4 F4 30 144625 | |
|--|----------|
| Voltage U _N | 400 V 3~ |
| Current I _{max} | 8,5 A |
| Ambient temperature t _A | 50 °C |
| Conveyed medium temperature t _M | 200 °C |
| Speed Control | f |
| Motor protection | - |
| Insulation class motor | F |
| Weight | 163,0 kg |
| Number of poles | 4 |
| IP motor | IP55 |
| IP terminal box | - |
| IP complete unit | - |
| Min. operating temperature | -20 °C |



ruck^{eu}
VENTILATOREN
ruck Ventilatoren
Max-Planck-Str. 5
D-97944 Boxberg



Protection Mark
according to ISO 16016
Created a.mezei
Drawn a.mezei
Released s.pop
Disabled

1:16 A4 mm

General tolerances
DIN ISO 2768-c

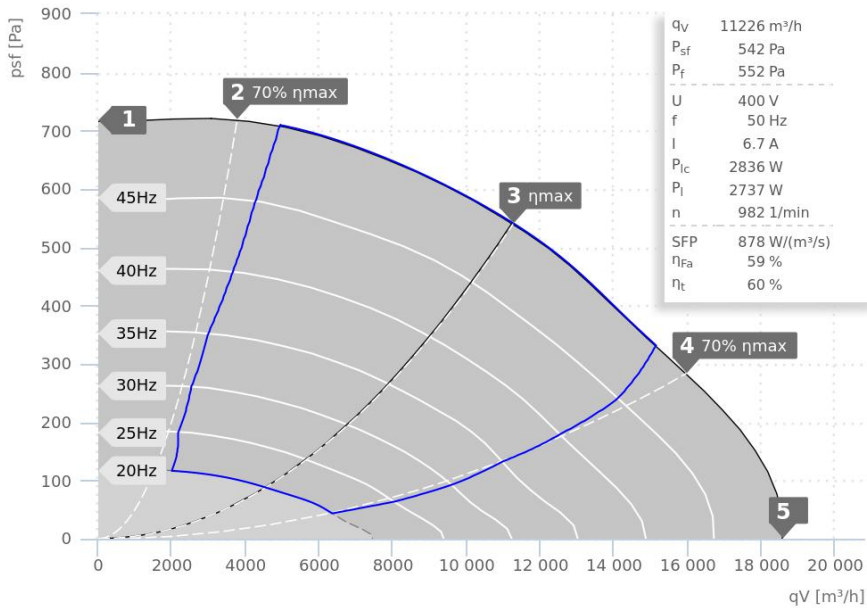
DVNI630D4F430

144625 00

VENTAS
VENTILATORER

DATA SHEET

DVNI 710 D6 F4 30 | 144626



— ErP compliant range

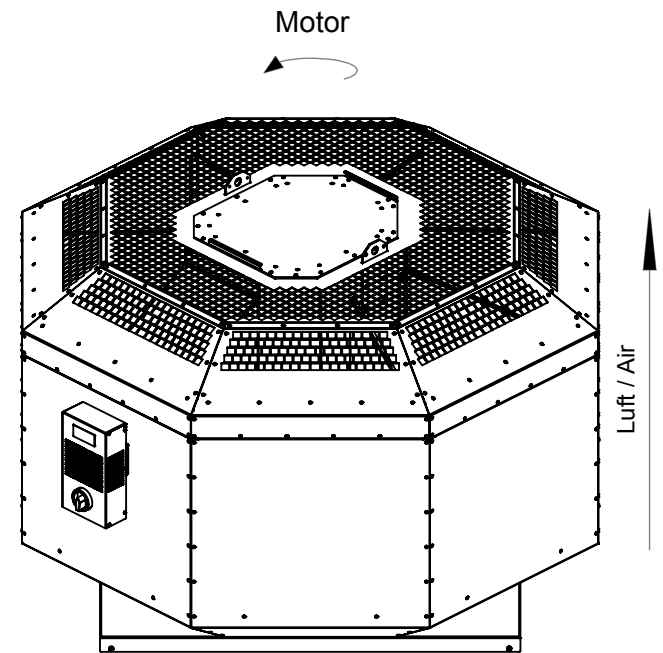
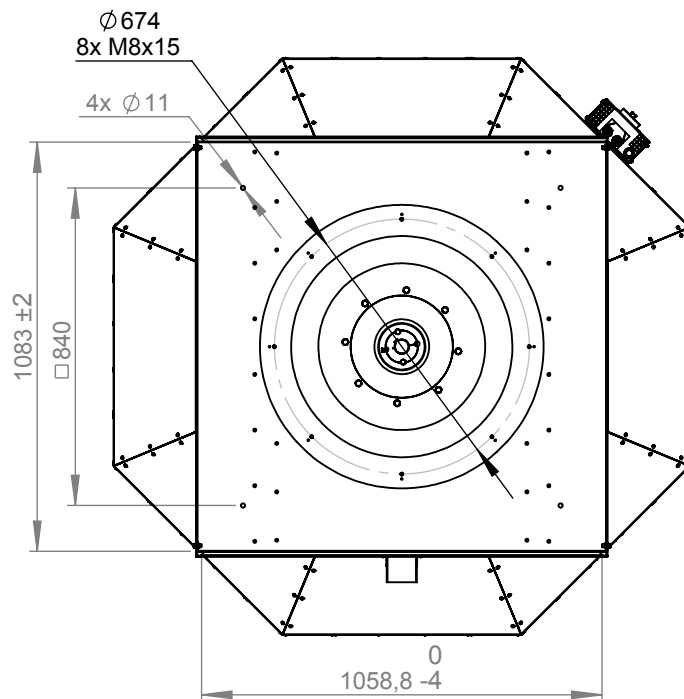
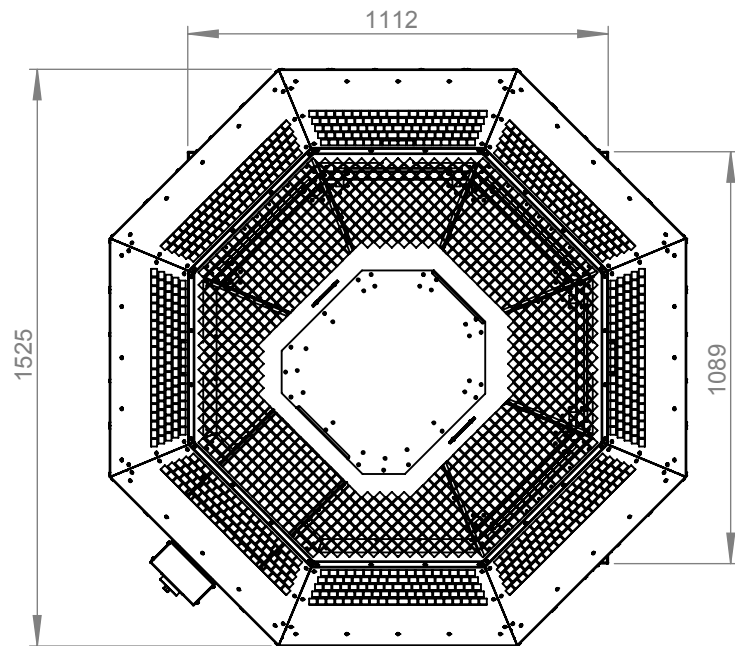
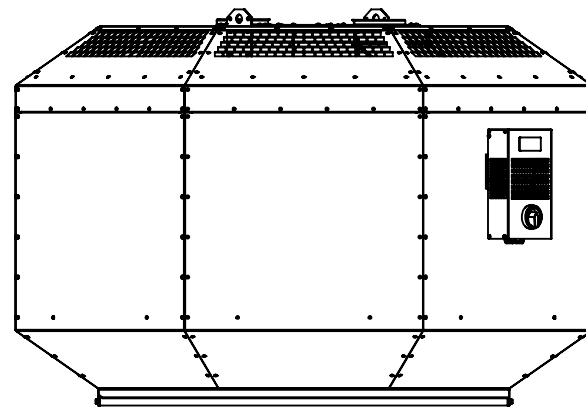
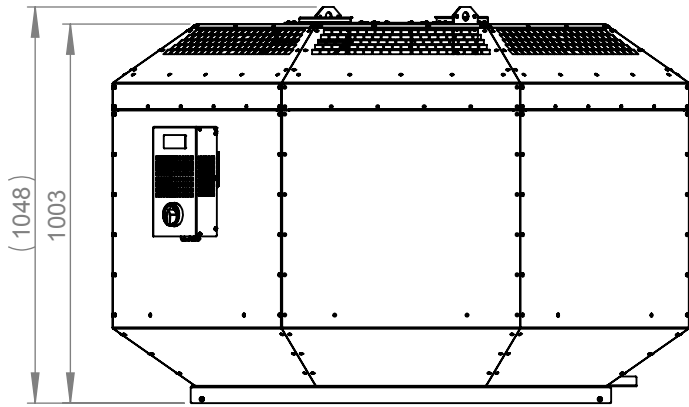


- 200 °C continuous operation and 400 °C / 120 min.
- Motor outside of air stream
- Speed controllable
- Drain tray
- Sound insulated
- Certified according to EN 12101-3:2015 with Certificate 0370-CPR-3994
- Frequency converter with 400V 3~ input and 400V 3~ output
- Frequency converter with Fire-Mode function (optional)

| Operating Point | | 1 | 2 | 3 | 4 | 5 |
|--|-------|-----|------|------|------|------|
| Current I | A | 5,1 | 5,7 | 6,7 | 6,5 | 6,2 |
| Power consumption P _i | W | 945 | 1776 | 2747 | 2564 | 2190 |
| Rotation speed n | 1/min | 987 | 990 | 984 | 976 | 988 |
| SWL inlet L _{WA5} | dB(A) | 84 | 83 | 83 | 84 | 86 |
| SWL outlet L _{WA6} | dB(A) | 78 | 78 | 79 | 83 | 87 |
| SWL housing break out L _{WA2} | dB(A) | - | - | - | - | - |

| Sound power (L _W) dB(A) | | Medium Frequency Band | | | | | | | | |
|-------------------------------------|------------------|-----------------------|----|-----|-----|-----|----|----|----|----|
| | | Σ | 63 | 125 | 250 | 500 | 1k | 2k | 4k | 8k |
| Inlet | L _{WA5} | 83 | 52 | 77 | 76 | 75 | 77 | 75 | 69 | 62 |
| Outlet | L _{WA6} | 79 | 52 | 73 | 75 | 71 | 70 | 67 | 62 | 55 |
| Housing radiation | L _{WA2} | - | - | - | - | - | - | - | - | - |

| DVNI 710 D6 F4 30 144626 | |
|--|----------|
| Voltage U _N | 400 V 3~ |
| Current I _{max} | 6,9 A |
| Ambient temperature t _A | 50 °C |
| Conveyed medium temperature t _M | 200 °C |
| Speed Control | f |
| Motor protection | - |
| Insulation class motor | F |
| Weight | 270,0 kg |
| Number of poles | 6 |
| IP motor | IP55 |
| IP terminal box | - |
| IP complete unit | - |
| Min. operating temperature | -20 °C |



ruck^{eu}
VENTILATOREN
ruck Ventilatoren
Max-Planck-Str. 5
D-97944 Boxberg



1:20 A4 mm

Protection Mark
according to ISO16016

General tolerances
DIN ISO 2768-c

DVNI710D6F430+

Created d.ursu
Drawn d.ursu
Released d.ursu
Disabled

17.12.2018
17.12.2018
29.10.2019

144626 00

VENTAS
VENTILATORER