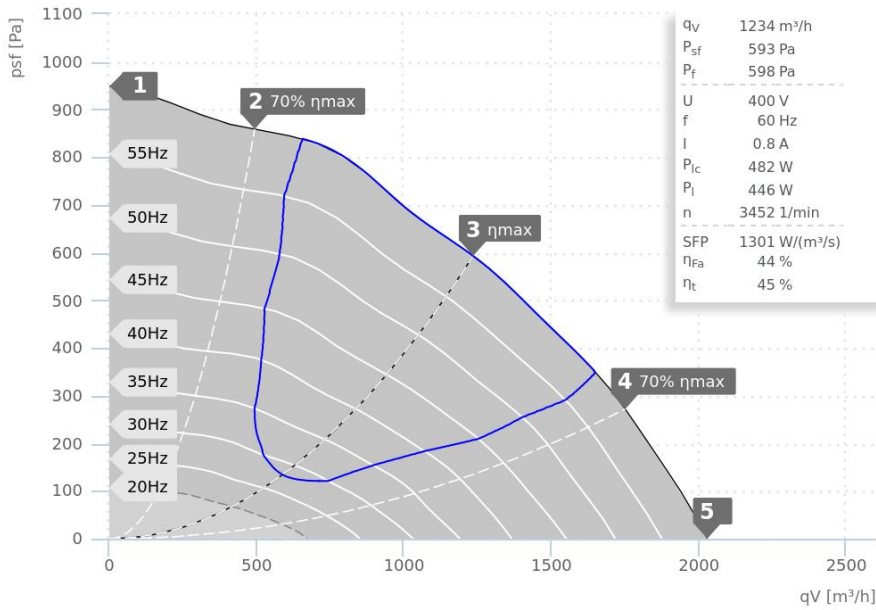


DATA SHEET

ruck.eu
VENTILATOREN

DHN 225 D2 F4 30 | 150593



— ErP compliant range

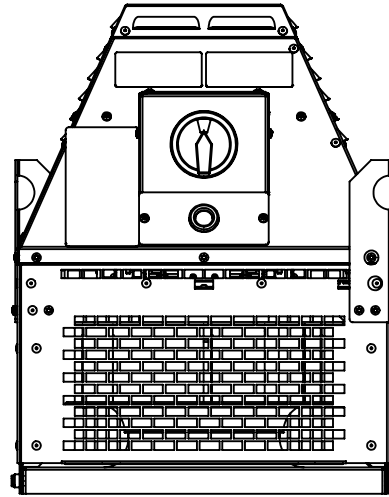
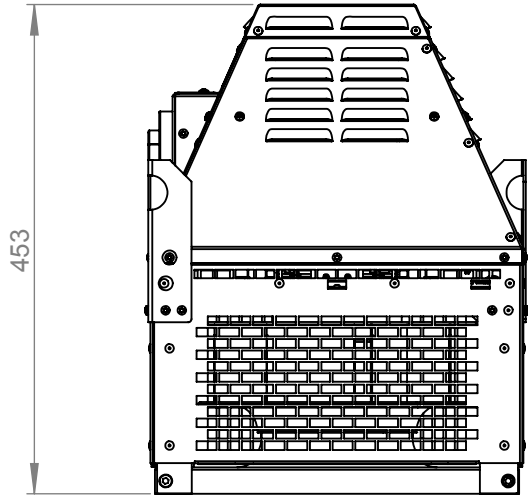


- 200 °C continuous operation and 400 °C / 120 min.
- Motor outside of air stream
- Speed controllable
- Certified according to EN 12101-3:2015 with Certificate 1404-CPR-3027
- Star-Delta operation possible
- Star: direct 400V 3~ grid or frequency converter with 400V output
- Delta: direct 230V 3~ grid or frequency converter with 230V 1~ input and 230V 3~ output
- Frequency converter with Fire-Mode function (optional)

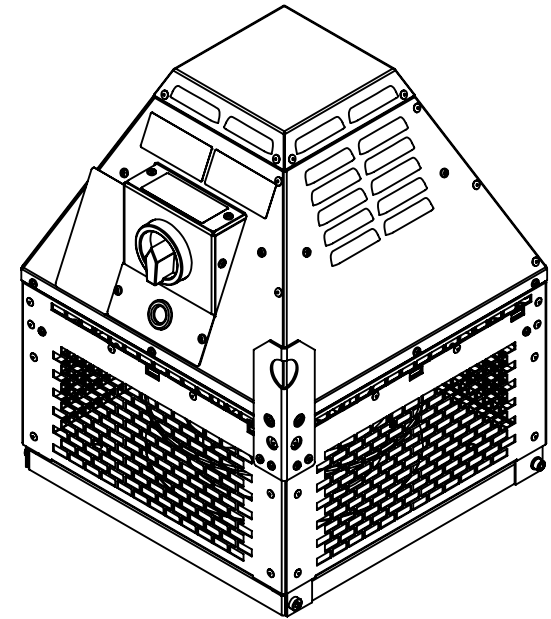
Operating Point		1	2	3	4	5
Current I	A	0,6	0,7	0,8	0,8	0,7
Power consumption P_1	W	236	384	446	412	345
Rotation speed n	1/min	3525	3471	3452	3464	3487
SWL inlet L_{WA5}	dB(A)	80	79	77	81	84
SWL outlet L_{WA6}	dB(A)	85	85	84	88	90
SWL housing break out L_{WA2}	dB(A)	-	-	-	-	-

Sound power (L_W) dB(A)		Medium Frequency Band								
		Σ	63	125	250	500	1k	2k	4k	8k
Inlet	L_{WA5}	77	47	59	65	72	71	69	69	66
Outlet	L_{WA6}	84	48	61	70	78	80	78	73	68
Housing radiation	L_{WA2}	-	-	-	-	-	-	-	-	-

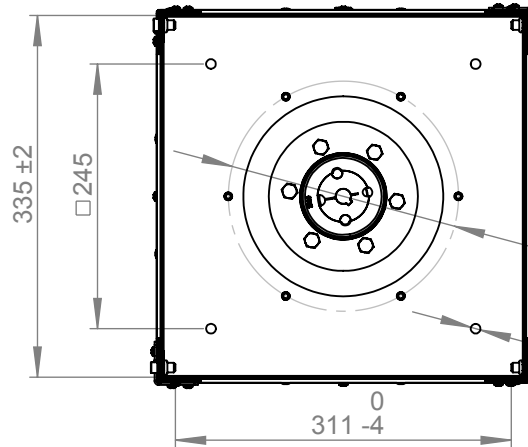
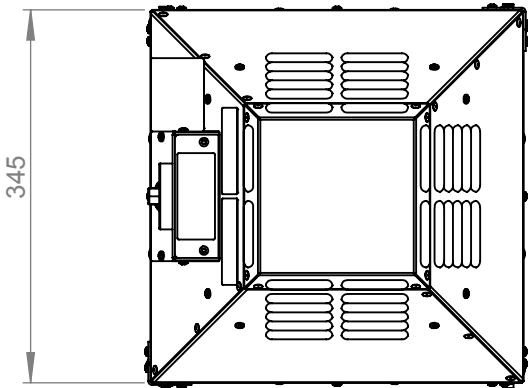
DHN 225 D2 F4 30 150593	
Voltage U_N	400 V 3~
Current I_{max}	0,8 A
Ambient temperature t_A	60 °C
Conveyed medium temperature t_M	200 °C
Speed Control	f
Motor protection	-
Insulation class motor	F
Weight	19,1 kg
Number of poles	2
IP motor	IP55
IP terminal box	-
IP complete unit	-
Min. operating temperature	-20 °C



Motor



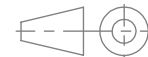
Luft / Air



6x M6x15
Ø 213

4 X Ø9

0
311 -4



1:7 A4 mm



ruck Ventilatoren
Max-Planck-Str. 5
D-97944 Boxberg

Protection Mark
according to ISO16016

Created a.ganea
Drawn a.ganea
Released a.ganea
Disabled

General tolerances
DIN ISO 2768-c

07.03.2019
07.03.2019
29.11.2019

DHN225D2F430

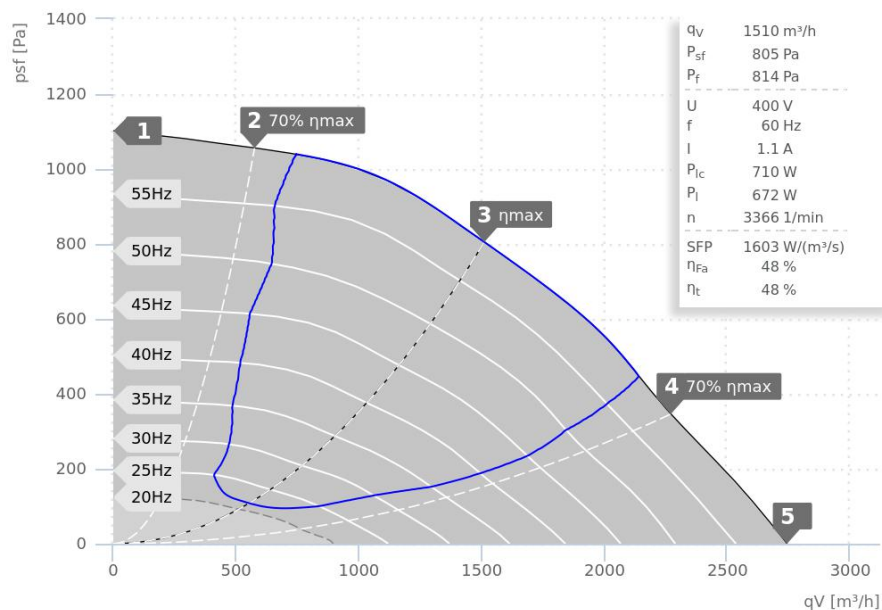
150593 00



DATA SHEET

ruck.eu
VENTILATOREN

DHN 250 D2 F4 30 | 150559



— ErP compliant range

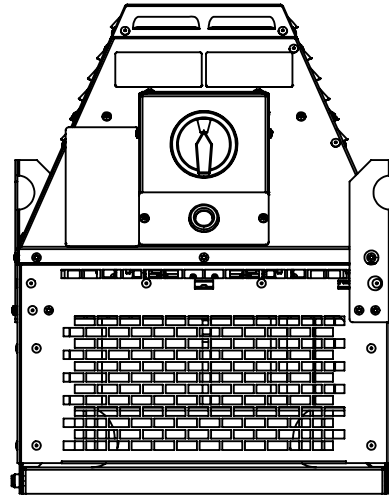
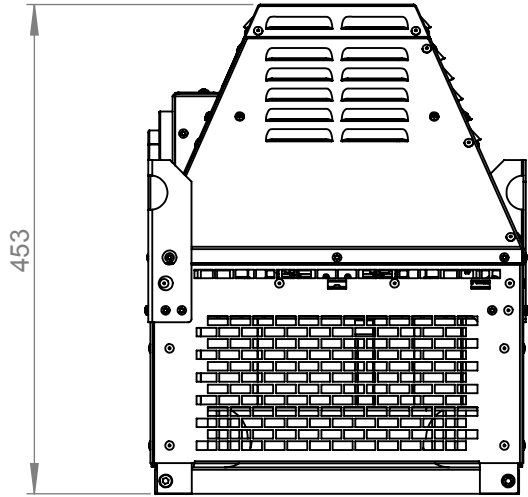


- 200 °C continuous operation and 400 °C / 120 min.
- Motor outside of air stream
- Speed controllable
- Certified according to EN 12101-3:2015 with Certificate 1404-CPR-3027
- Star-Delta operation possible
- Star: direct 400V 3~ grid or frequency converter with 400V output
- Delta: direct 230V 3~ grid or frequency converter with 230V 1~ input and 230V 3~ output
- Frequency converter with Fire-Mode function (optional)

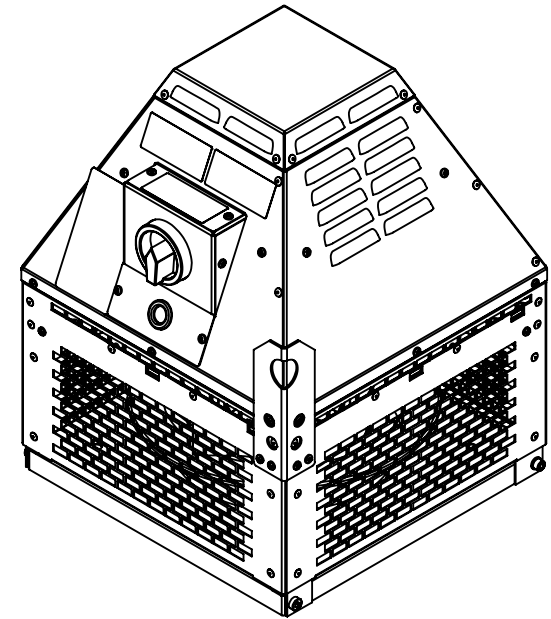
Operating Point		1	2	3	4	5
Current I	A	0,7	0,9	1,1	1,0	0,9
Power consumption P_1	W	337	484	672	615	536
Rotation speed n	1/min	3497	3433	3366	3396	3439
SWL inlet L_{WA5}	dB(A)	83	82	82	86	88
SWL outlet L_{WA6}	dB(A)	88	89	87	92	94
SWL housing break out L_{WA2}	dB(A)	-	-	-	-	-

Sound power (L_W) dB(A)		Medium Frequency Band								
		Σ	63	125	250	500	1k	2k	4k	8k
Inlet	L_{WA5}	82	50	64	68	76	75	74	74	75
Outlet	L_{WA6}	87	52	66	73	80	83	81	76	77
Housing radiation	L_{WA2}	-	-	-	-	-	-	-	-	-

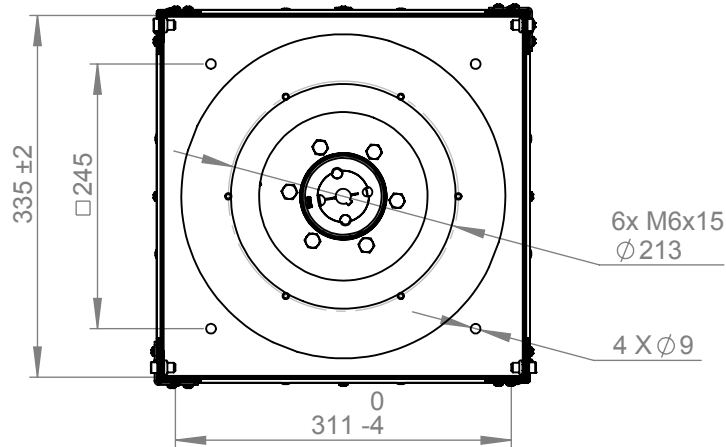
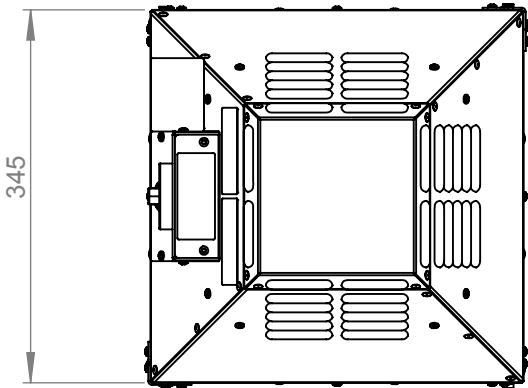
DHN 250 D2 F4 30 150559	
Voltage U_N	400 V 3~
Current I_{max}	1,2 A
Ambient temperature t_A	50 °C
Conveyed medium temperature t_M	200 °C
Speed Control	f
Motor protection	-
Insulation class motor	F
Weight	20,0 kg
Number of poles	2
IP motor	IP55
IP terminal box	-
IP complete unit	-
Min. operating temperature	-20 °C



Motor



Luft / Air



1:7 A4 mm



ruck Ventilatoren
Max-Planck-Str. 5
D-97944 Boxberg

Protection Mark
according to ISO16016

Created a.ganea
Drawn a.ganea
Released a.ganea
Disabled

General tolerances
DIN ISO 2768-c

06.03.2019
06.03.2019
29.11.2019

DHN250D2F430

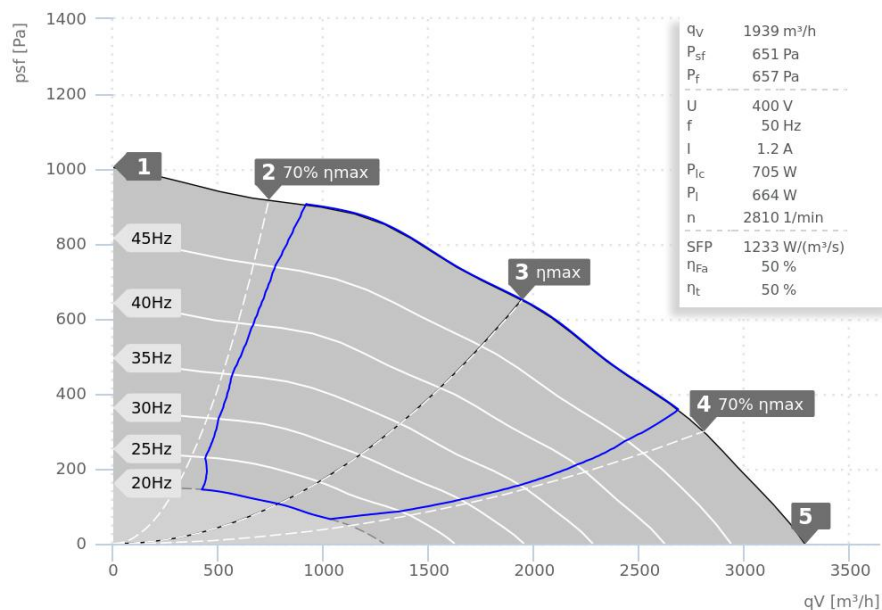
150559 00



DATA SHEET

ruck.eu
VENTILATOREN

DHN 280 D2 F4 30 | 150695



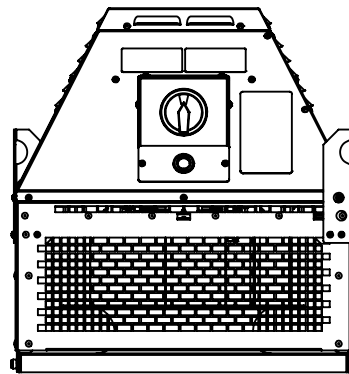
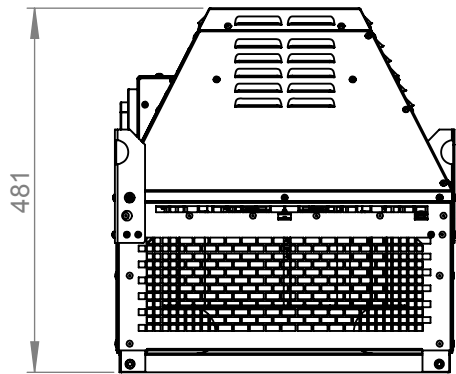
- 200 °C continuous operation and 400 °C / 120 min.
- Motor outside of air stream
- Speed controllable
- Certified according to EN 12101-3:2015 with Certificate 1404-CPR-3027
- Star-Delta operation possible
- Star: direct 400V 3~ grid or frequency converter with 400V output
- Delta: direct 230V 3~ grid or frequency converter with 230V 1~ input and 230V 3~ output
- Frequency converter with Fire-Mode function (optional)

— ErP compliant range

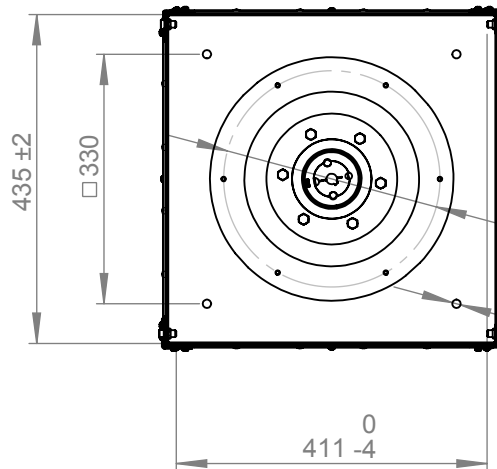
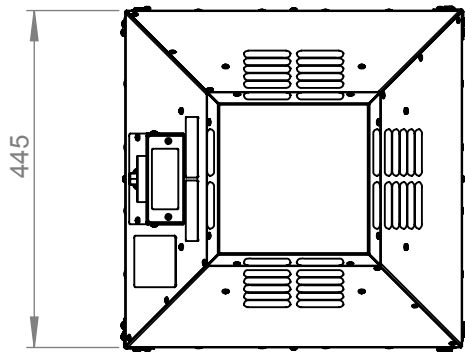
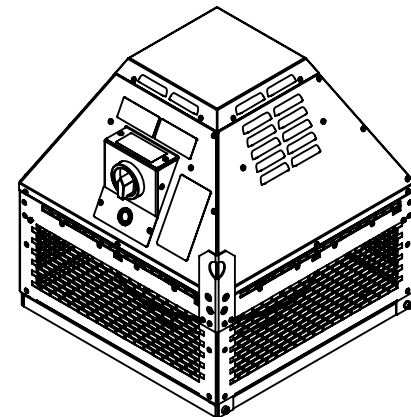
Operating Point		1	2	3	4	5
Current I	A	0,8	1,0	1,2	1,1	1,0
Power consumption P _i	W	308	524	666	624	517
Rotation speed n	1/min	2915	2850	2813	2830	2872
SWL inlet L _{WA5}	dB(A)	80	79	79	83	86
SWL outlet L _{WA6}	dB(A)	86	85	87	90	93
SWL housing break out L _{WA2}	dB(A)	-	-	-	-	-

Sound power (L _W) dB(A)		Medium Frequency Band								
		Σ	63	125	250	500	1k	2k	4k	8k
Inlet	L _{WA5}	79	51	64	72	75	72	70	66	63
Outlet	L _{WA6}	86	52	66	79	81	82	79	71	66
Housing radiation	L _{WA2}	-	-	-	-	-	-	-	-	-

DHN 280 D2 F4 30 150695	
Voltage U _N	400 V 3~
Current I _{max}	1,2 A
Ambient temperature t _A	60 °C
Conveyed medium temperature t _M	200 °C
Speed Control	f
Motor protection	-
Insulation class motor	F
Weight	23,7 kg
Number of poles	2
IP motor	IP55
IP terminal box	-
IP complete unit	-
Min. operating temperature	-20 °C



Motor

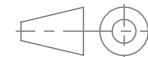


6x M6x15
Ø 286

4 X Ø 11



ruck Ventilatoren
Max-Planck-Str. 5
D-97944 Boxberg



Protection Mark
according to ISO16016

Created a.ganea
Drawn a.ganea
Released a.ganea
Disabled

1:10 A4 mm

General tolerances
DIN ISO 2768-c

DHN280D2F430

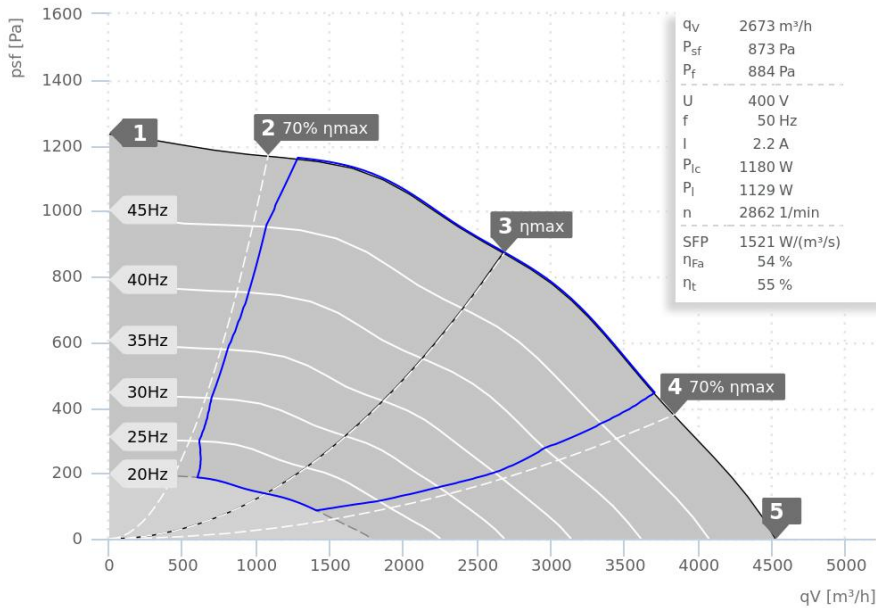
150695 00



DATA SHEET

ruck.eu
VENTILATOREN

DHN 315 D2 F4 30 | 150555



— ErP compliant range

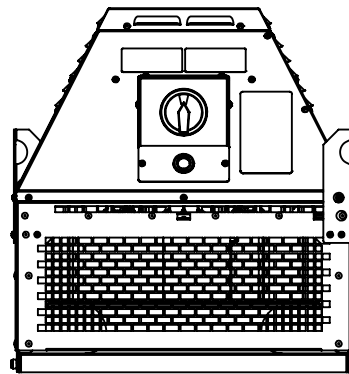
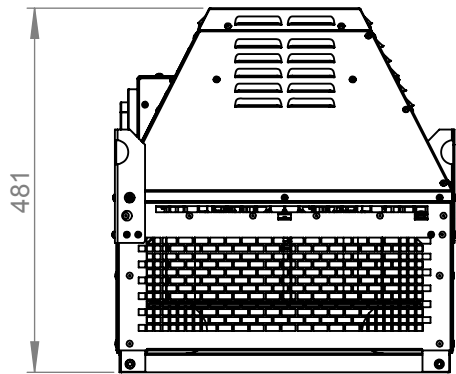


- 200 °C continuous operation and 400 °C / 120 min.
- Motor outside of air stream
- Speed controllable
- Certified according to EN 12101-3:2015 with Certificate 1404-CPR-3027
- Star-Delta operation possible
- Star: direct 400V 3~ grid or frequency converter with 400V output
- Delta: direct 230V 3~ grid or frequency converter with 230V 1~ input and 230V 3~ output
- Frequency converter with Fire-Mode function (optional)

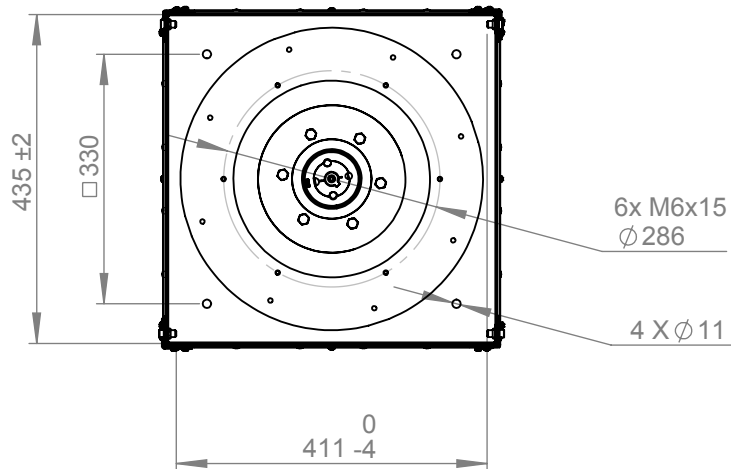
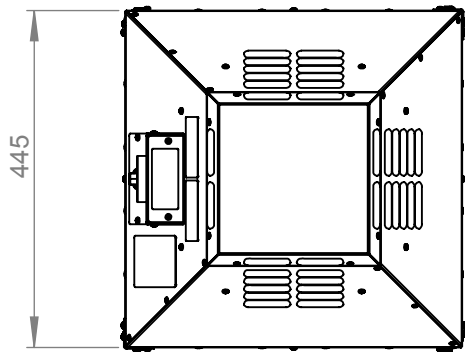
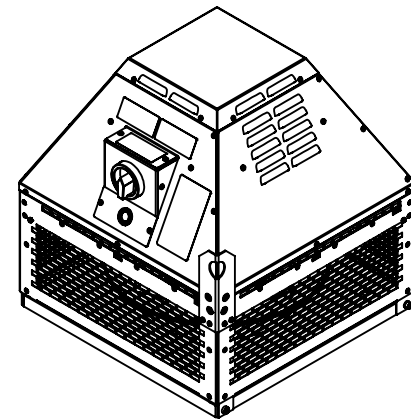
Operating Point		1	2	3	4	5
Current I	A	1,6	2,0	2,2	2,1	1,9
Power consumption P _i	W	481	895	1136	998	818
Rotation speed n	1/min	2941	2894	2868	2888	2914
SWL inlet L _{WA5}	dB(A)	84	81	83	87	90
SWL outlet L _{WA6}	dB(A)	90	88	89	93	95
SWL housing break out L _{WA2}	dB(A)	-	-	-	-	-

Sound power (L _W) dB(A)		Medium Frequency Band								
		Σ	63	125	250	500	1k	2k	4k	8k
Inlet	L _{WA5}	83	48	61	75	78	75	75	73	71
Outlet	L _{WA6}	89	53	65	80	83	85	82	76	72
Housing radiation	L _{WA2}	-	-	-	-	-	-	-	-	-

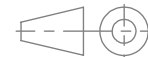
DHN 315 D2 F4 30 150555	
Voltage U _N	400 V 3~
Current I _{max}	2,3 A
Ambient temperature t _A	50 °C
Conveyed medium temperature t _M	200 °C
Speed Control	f
Motor protection	-
Insulation class motor	F
Weight	28,7 kg
Number of poles	2
IP motor	IP55
IP terminal box	-
IP complete unit	-
Min. operating temperature	-20 °C



Motor



ruck Ventilatoren
Max-Planck-Str. 5
D-97944 Boxberg



1:10 A4 mm

Protection Mark
according to ISO16016

General tolerances
DIN ISO 2768-c

Created a.ganea
Drawn a.ganea
Released a.ganea
Disabled

06.03.2019
06.03.2019
02.12.2019

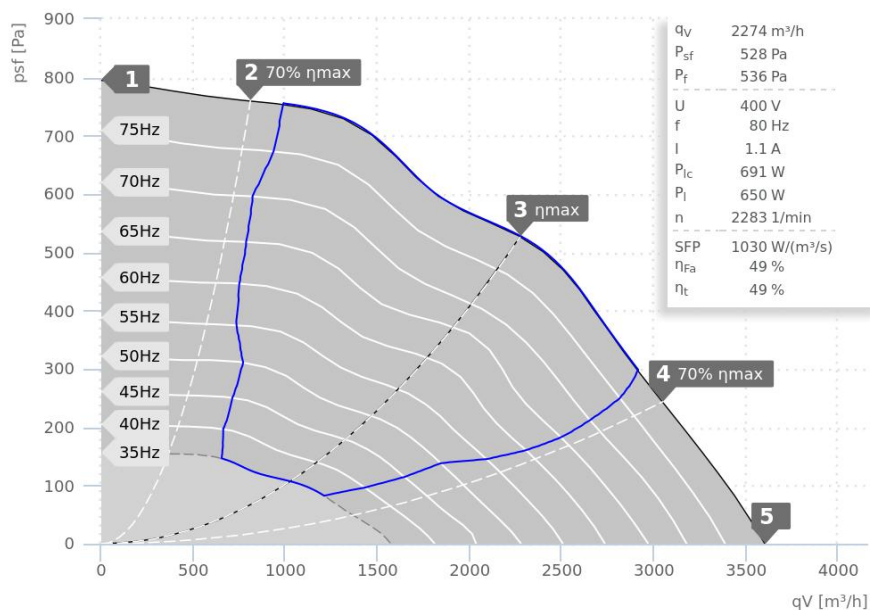
DHN315D2F430

150555 00



DATA SHEET

DHN 315 D4 F4 30 | 150755



— ErP compliant range

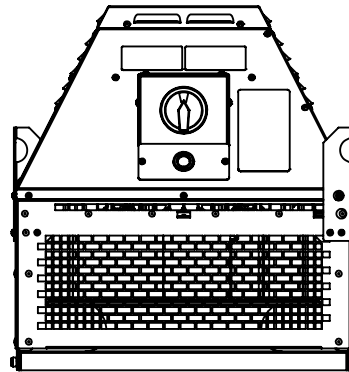
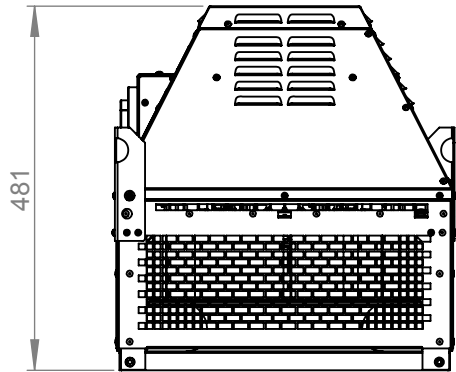


- 200 °C continuous operation and 400 °C / 120 min.
- Motor outside of air stream
- Speed controllable
- Certified according to EN 12101-3:2015 with Certificate 1404-CPR-3027
- Star-Delta operation possible
- Star: direct 400V 3~ grid or frequency converter with 400V output
- Delta: direct 230V 3~ grid or frequency converter with 230V 1~ input and 230V 3~ output
- Frequency converter with Fire-Mode function (optional)

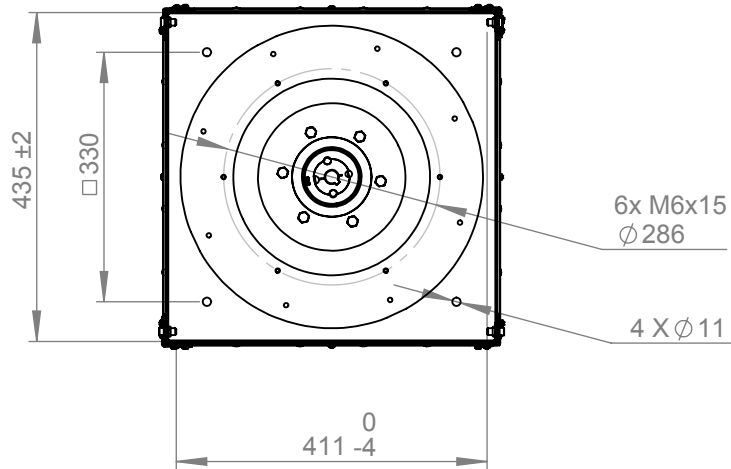
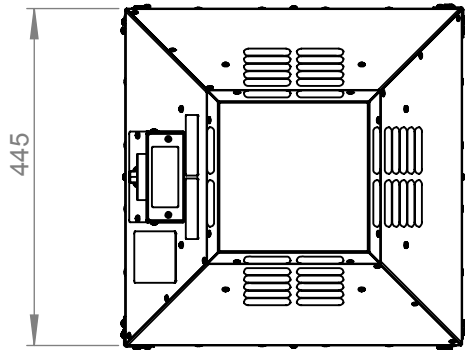
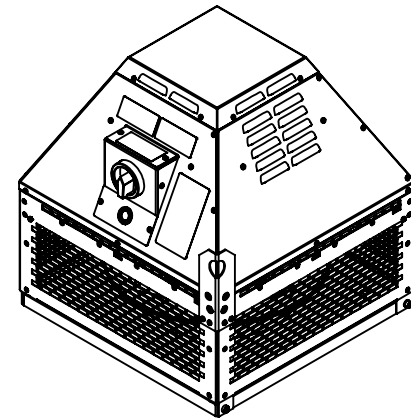
Operating Point		1	2	3	4	5
Current I	A	0,6	0,8	1,1	1,0	0,8
Power consumption P _i	W	286	489	653	573	459
Rotation speed n	1/min	2344	2314	2286	2303	2327
SWL inlet L _{WA5}	dB(A)	77	76	77	81	84
SWL outlet L _{WA6}	dB(A)	83	83	85	88	90
SWL housing break out L _{WA2}	dB(A)	-	-	-	-	-

Sound power (L _W) dB(A)		Medium Frequency Band								
		Σ	63	125	250	500	1k	2k	4k	8k
Inlet	L _{WA5}	77	47	61	67	73	69	68	65	66
Outlet	L _{WA6}	85	49	63	77	81	80	77	69	67
Housing radiation	L _{WA2}	-	-	-	-	-	-	-	-	-

DHN 315 D4 F4 30 150755	
Voltage U _N	400 V 3~
Current I _{max}	1,2 A
Ambient temperature t _A	60 °C
Conveyed medium temperature t _M	200 °C
Speed Control	f
Motor protection	-
Insulation class motor	F
Weight	28,0 kg
Number of poles	4
IP motor	IP55
IP terminal box	-
IP complete unit	-
Min. operating temperature	-20 °C



Motor



ruck Ventilatoren
Max-Planck-Str. 5
D-97944 Boxberg



1:10 A4 mm

Protection Mark
according to ISO16016

General tolerances
DIN ISO 2768-c

Created a.ganea
Drawn a.ganea
Released a.ganea
Disabled

15.03.2019
15.03.2019
29.11.2019

DHN315D4F430

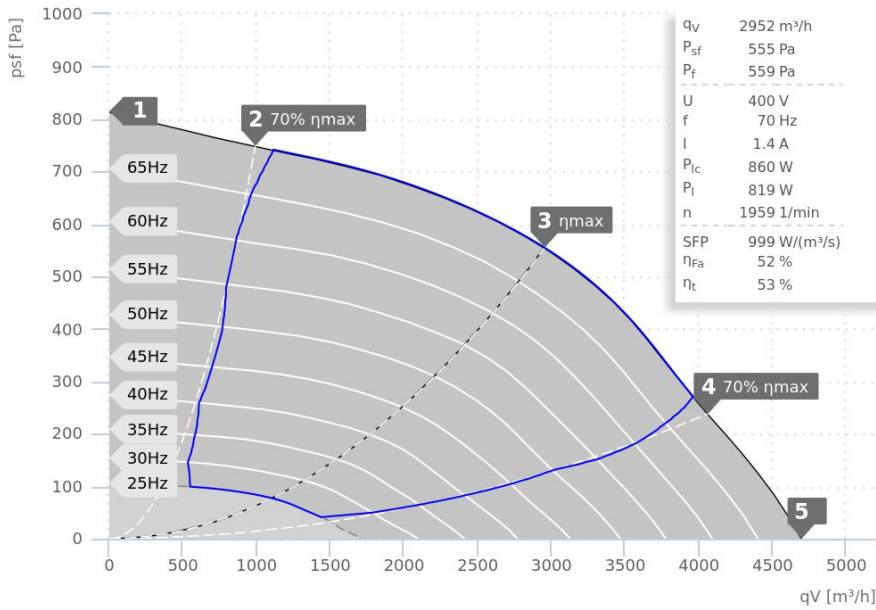
150755 00



DATA SHEET

ruck.eu
VENTILATOREN

DHN 355 D4 F4 30 | 150549



— ErP compliant range

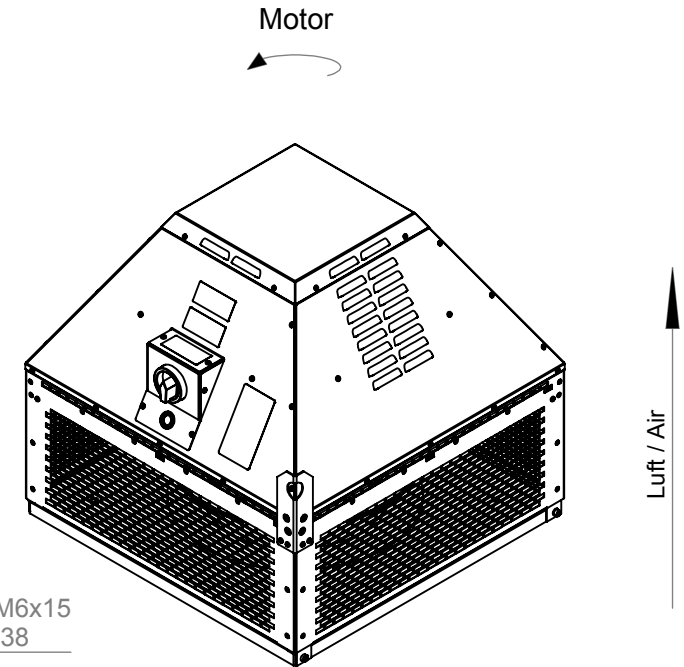
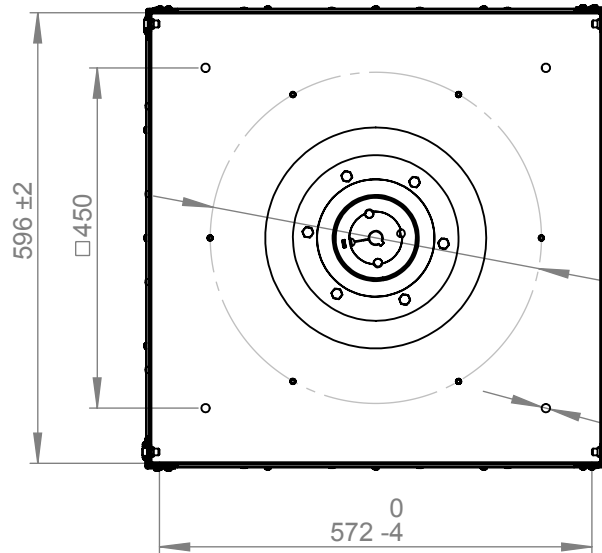
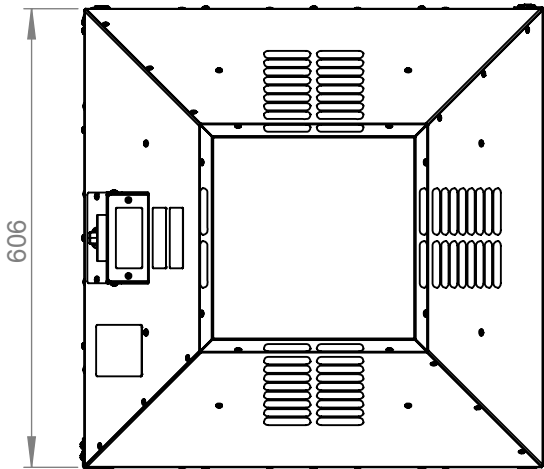
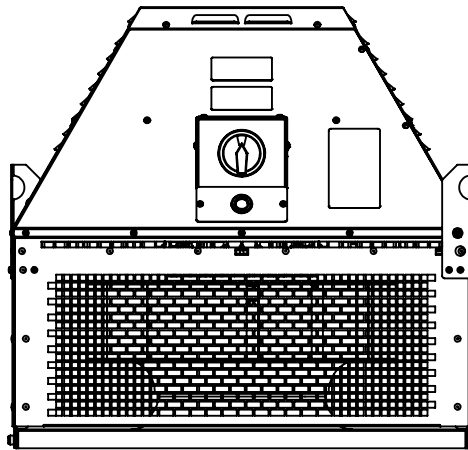
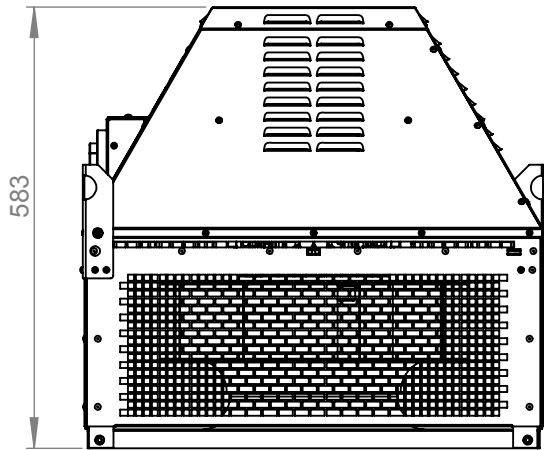


- 200 °C continuous operation and 400 °C / 120 min.
- Motor outside of air stream
- Speed controllable
- Certified according to EN 12101-3:2015 with Certificate 1404-CPR-3027
- Star-Delta operation possible
- Star: direct 400V 3~ grid or frequency converter with 400V output
- Delta: direct 230V 3~ grid or frequency converter with 230V 1~ input and 230V 3~ output
- Frequency converter with Fire-Mode function (optional)

Operating Point		1	2	3	4	5
Current I	A	0,6	0,9	1,4	1,2	1,0
Power consumption P ₁	W	308	540	821	685	554
Rotation speed n	1/min	2047	2012	1960	1991	2017
SWL inlet L _{WA5}	dB(A)	78	76	77	81	82
SWL outlet L _{WA6}	dB(A)	84	83	83	86	88
SWL housing break out L _{WA2}	dB(A)	-	-	-	-	-

Sound power (L _W) dB(A)		Medium Frequency Band								
		Σ	63	125	250	500	1k	2k	4k	8k
Inlet	L _{WA5}	77	39	48	65	70	67	71	72	64
Outlet	L _{WA6}	83	42	51	75	76	77	75	75	66
Housing radiation	L _{WA2}	-	-	-	-	-	-	-	-	-

DHN 355 D4 F4 30 150549	
Voltage U _N	400 V 3~
Current I _{max}	1,4 A
Ambient temperature t _A	50 °C
Conveyed medium temperature t _M	200 °C
Speed Control	f
Motor protection	-
Insulation class motor	F
Weight	37,5 kg
Number of poles	4
IP motor	IP55
IP terminal box	-
IP complete unit	-
Min. operating temperature	-20 °C

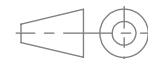


6x M6x15
Ø 438

4 X Ø 11

0
572 -4

ruck^{eu}
VENTILATOREN
ruck Ventilatoren
Max-Planck-Str. 5
D-97944 Boxberg



Protection Mark
according to ISO 16016

Created a.ganea
Drawn a.ganea
Released a.ganea
Disabled

1:10 A4 mm

General tolerances
DIN ISO 2768-c

DHN355D4F430

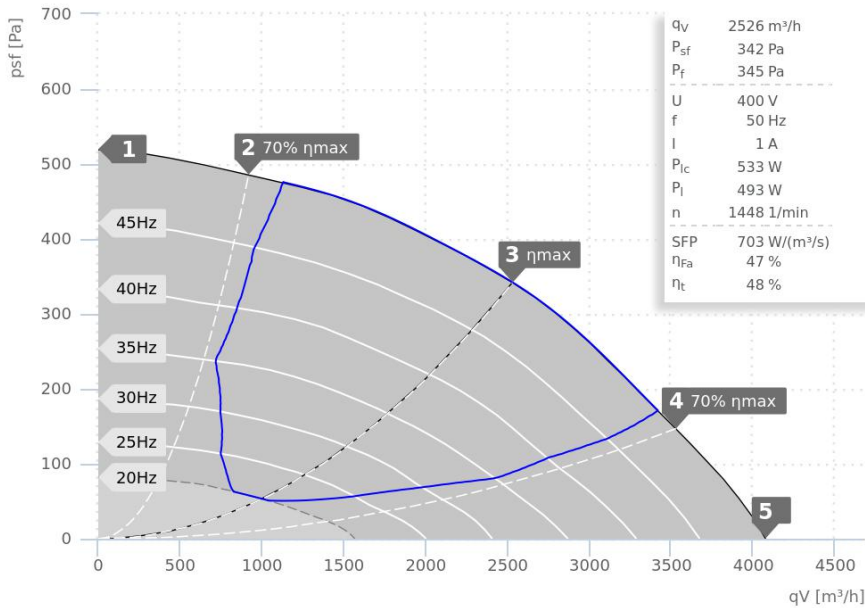
150549 00

VENTAS
VENTILATOREN

DATA SHEET

ruck.eu
VENTILATOREN

DHN 400 D4 F4 30 | 150727



— ErP compliant range

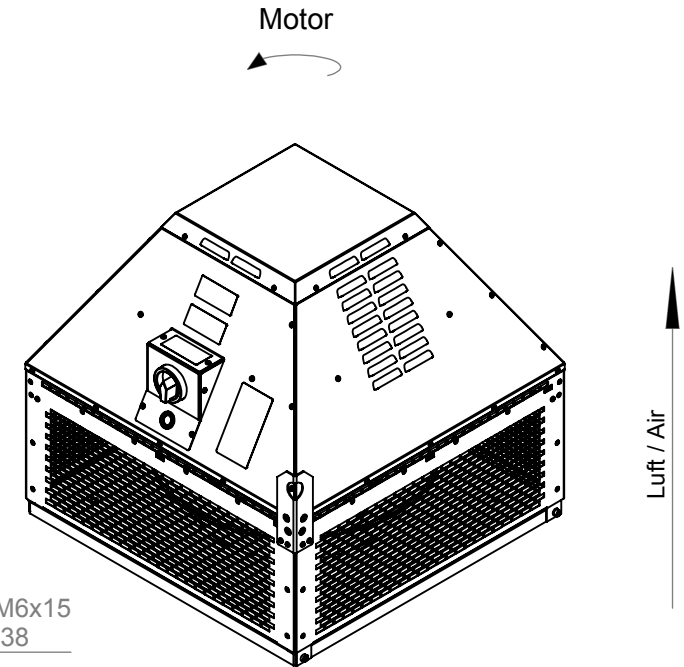
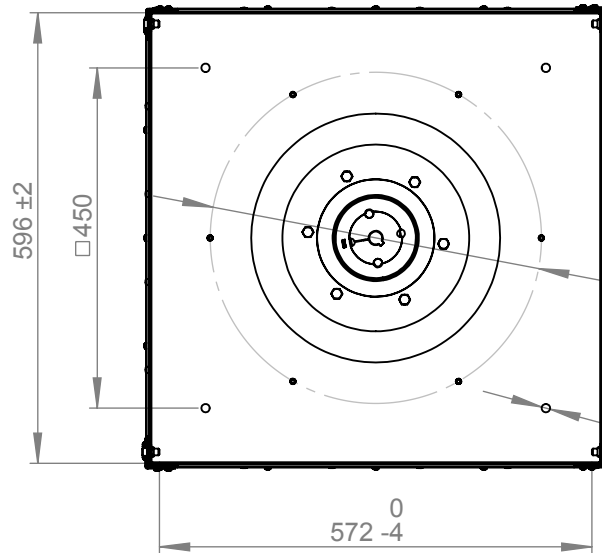
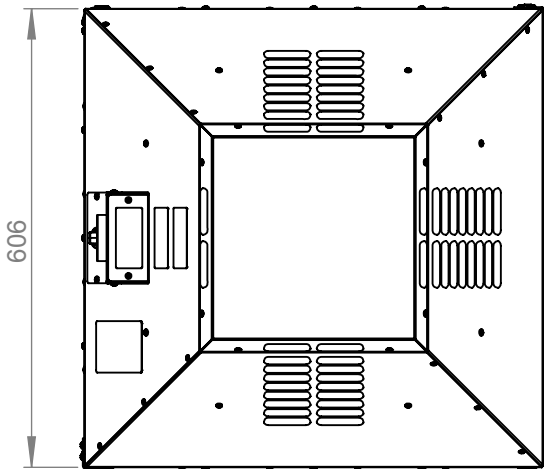
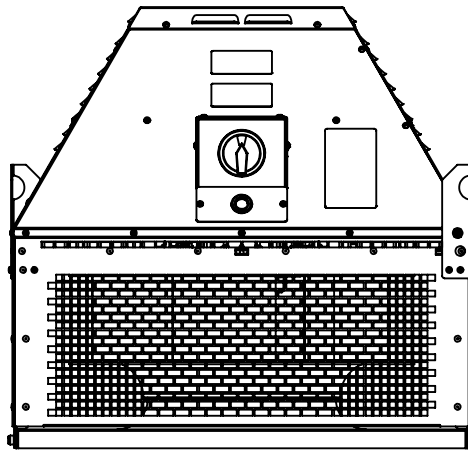
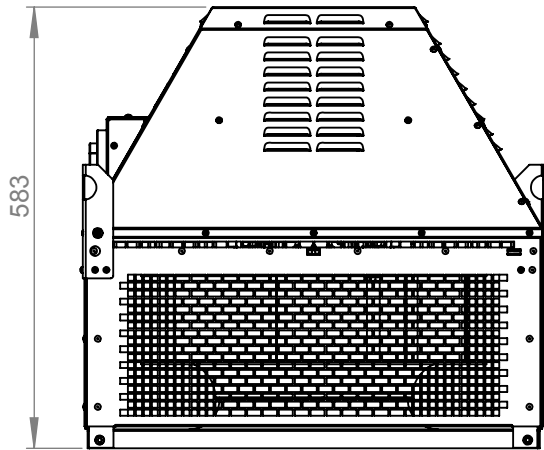


- 200 °C continuous operation and 400 °C / 120 min.
- Motor outside of air stream
- Speed controllable
- Certified according to EN 12101-3:2015 with Certificate 1404-CPR-3027
- Star-Delta operation possible
- Star: direct 400V 3~ grid or frequency converter with 400V output
- Delta: direct 230V 3~ grid or frequency converter with 230V 1~ input and 230V 3~ output
- Frequency converter with Fire-Mode function (optional)

Operating Point		1	2	3	4	5
Current I	A	0,7	0,8	1,0	0,9	0,8
Power consumption P _i	W	219	373	494	415	344
Rotation speed n	1/min	1477	1462	1449	1457	1466
SWL inlet L _{WA5}	dB(A)	71	71	71	74	77
SWL outlet L _{WA6}	dB(A)	78	78	78	80	84
SWL housing break out L _{WA2}	dB(A)	-	-	-	-	-

Sound power (L _W) dB(A)		Medium Frequency Band								
		Σ	63	125	250	500	1k	2k	4k	8k
Inlet	L _{WA5}	71	43	63	63	65	63	61	57	54
Outlet	L _{WA6}	78	47	67	70	72	73	67	61	57
Housing radiation	L _{WA2}	-	-	-	-	-	-	-	-	-

DHN 400 D4 F4 30 150727	
Voltage U _N	400 V 3~
Current I _{max}	1,0 A
Ambient temperature t _A	60 °C
Conveyed medium temperature t _M	200 °C
Speed Control	f
Motor protection	-
Insulation class motor	F
Weight	40,0 kg
Number of poles	4
IP motor	IP55
IP terminal box	-
IP complete unit	-
Min. operating temperature	-20 °C



6x M6x15
Ø 438

4 X Ø 11



ruck Ventilatoren
Max-Planck-Str. 5
D-97944 Boxberg



Protection Mark
according to ISO16016

Created a.ganea
Drawn a.ganea
Released a.ganea
Disabled

1:10 A4 mm

General tolerances
DIN ISO 2768-c

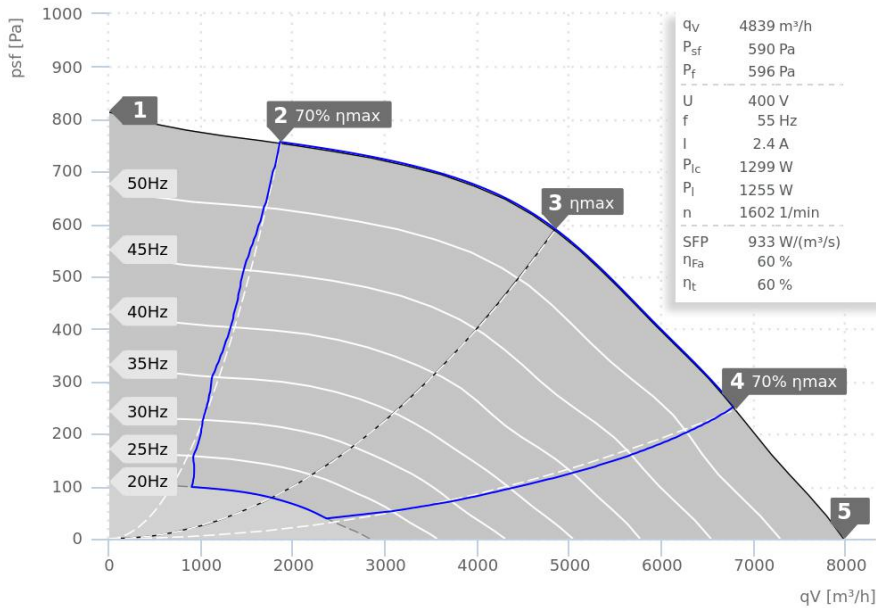
DHN400D4F430

150727 00



DATA SHEET

DHN 450 D4 F4 30 | 150544



— ErP compliant range

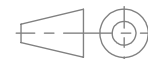
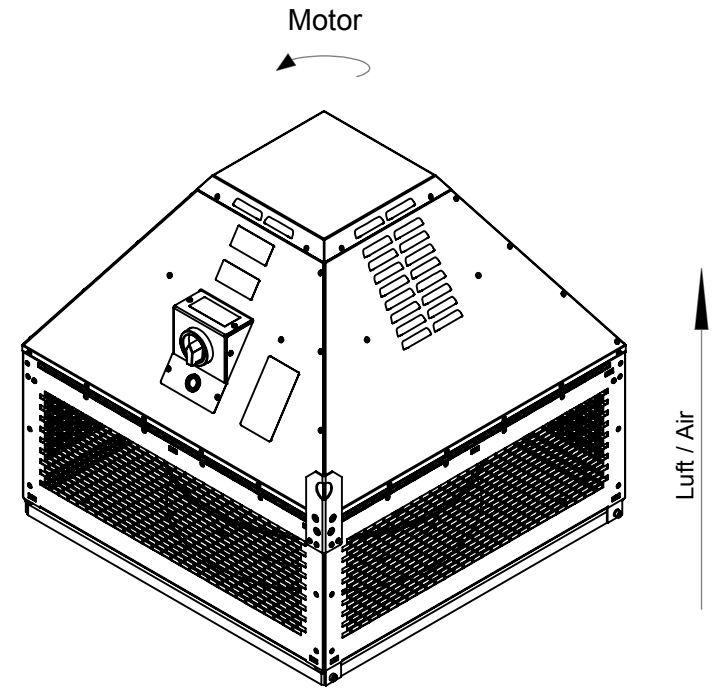
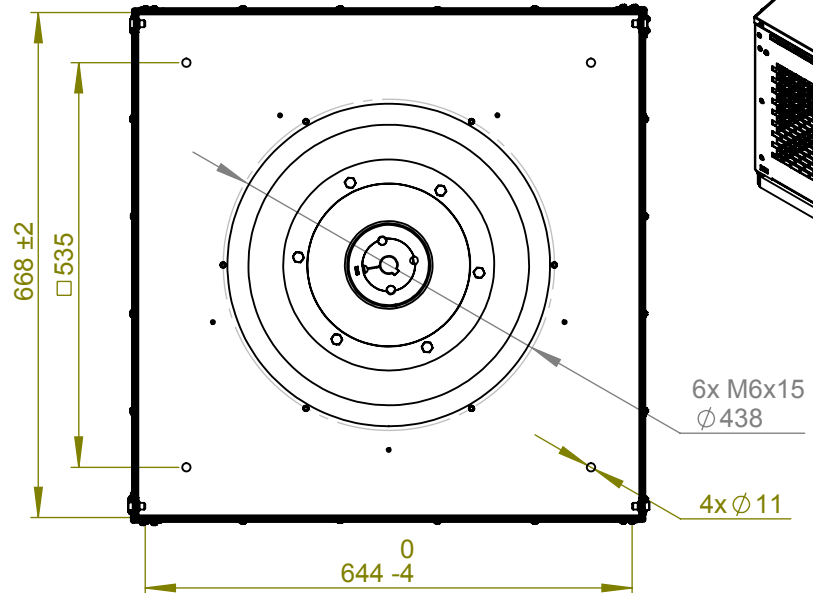
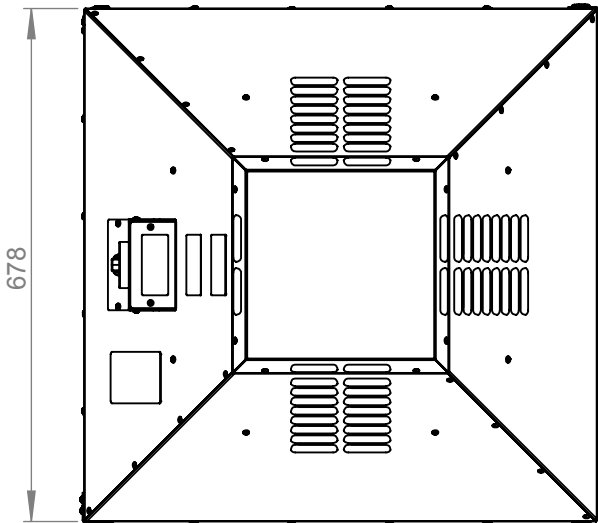
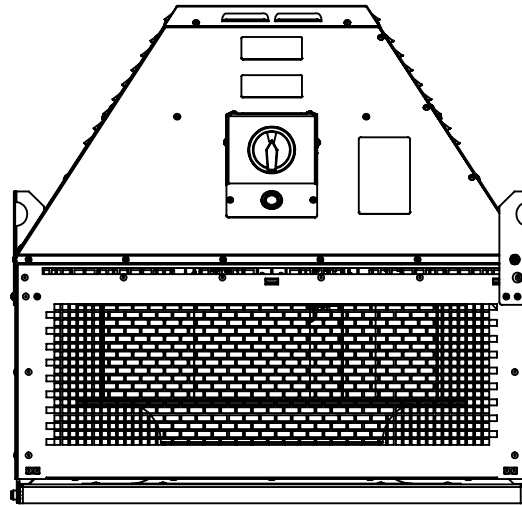
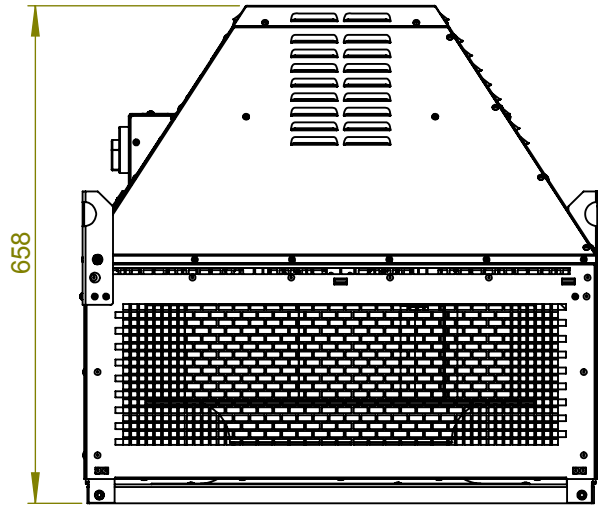


- 200 °C continuous operation and 400 °C / 120 min.
- Motor outside of air stream
- Speed controllable
- Certified according to EN 12101-3:2015 with Certificate 1404-CPR-3027
- Star-Delta operation possible
- Star: direct 400V 3~ grid or frequency converter with 400V output
- Delta: direct 230V 3~ grid or frequency converter with 230V 1~ input and 230V 3~ output
- Frequency converter with Fire-Mode function (optional)

Operating Point		1	2	3	4	5
Current I	A	1,6	2,0	2,4	2,1	1,9
Power consumption P ₁	W	458	903	1261	1053	850
Rotation speed n	1/min	1630	1617	1605	1615	1622
SWL inlet L _{WA5}	dB(A)	79	79	80	83	84
SWL outlet L _{WA6}	dB(A)	86	85	85	89	90
SWL housing break out L _{WA2}	dB(A)	-	-	-	-	-

Sound power (L _W) dB(A)		Medium Frequency Band								
		Σ	63	125	250	500	1k	2k	4k	8k
Inlet	L _{WA5}	80	41	60	71	70	71	75	74	63
Outlet	L _{WA6}	85	42	64	75	78	80	78	76	66
Housing radiation	L _{WA2}	-	-	-	-	-	-	-	-	-

DHN 450 D4 F4 30 150544	
Voltage U _N	400 V 3~
Current I _{max}	2,5 A
Ambient temperature t _A	50 °C
Conveyed medium temperature t _M	200 °C
Speed Control	f
Motor protection	-
Insulation class motor	F
Weight	57,0 kg
Number of poles	4
IP motor	IP55
IP terminal box	-
IP complete unit	-
Min. operating temperature	-20 °C



Protection Mark
according to ISO16016

Created d.ursu
Drawn d.ursu
Released a.ganea
Disabled

1:10 A4 mm

General tolerances
DIN ISO 2768-c

DHN450D4F430

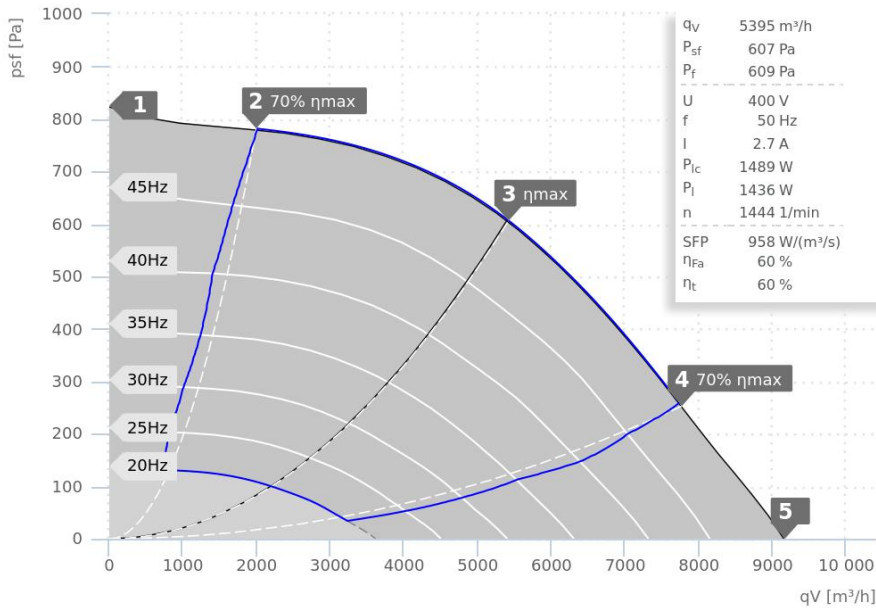
150544 00



DATA SHEET

ruck.eu
VENTILATOREN

DHN 500 D4 F4 30 | 150547



— ErP compliant range

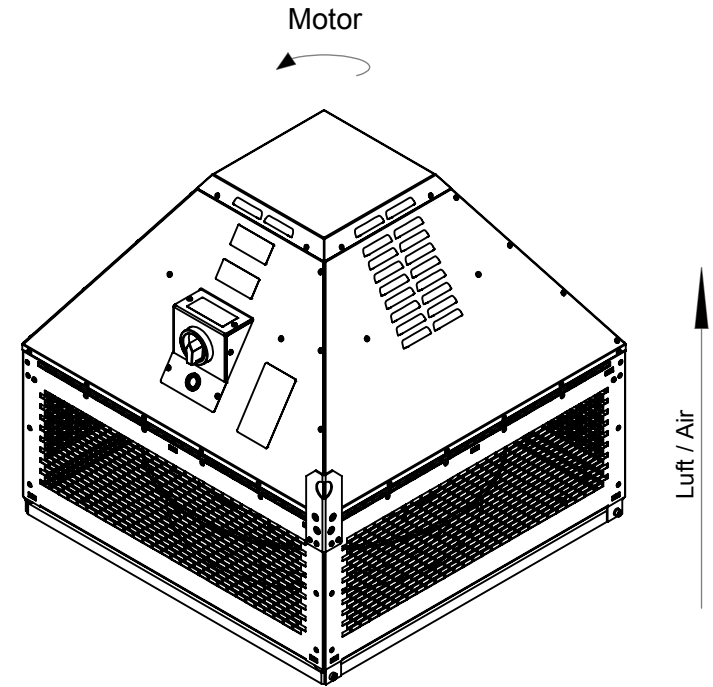
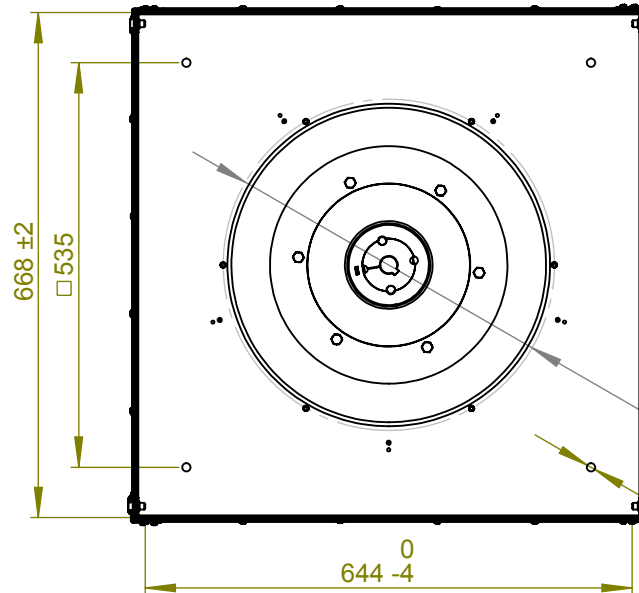
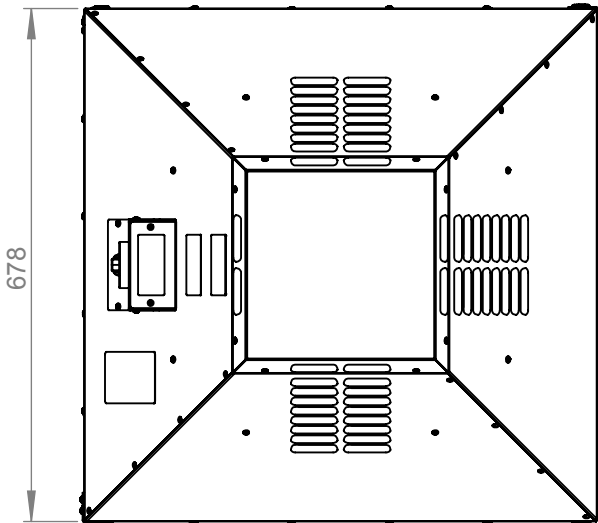
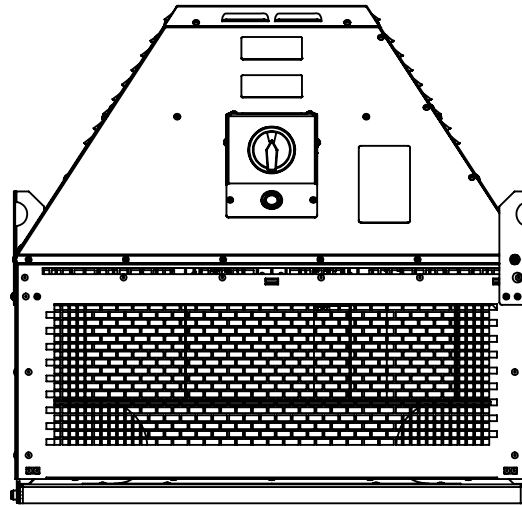
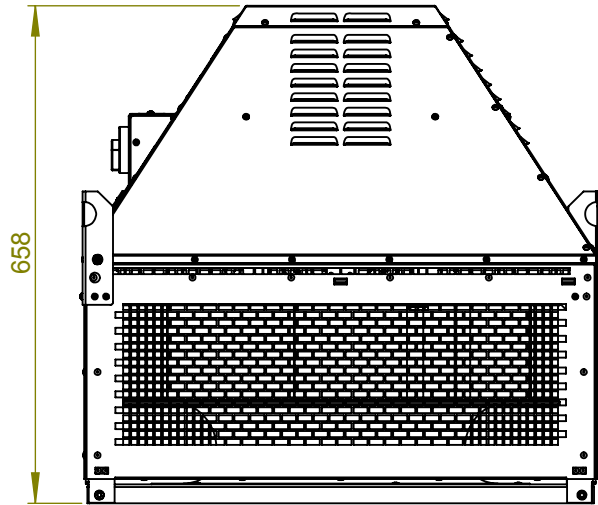


- 200 °C continuous operation and 400 °C / 120 min.
- Motor outside of air stream
- Speed controllable
- Certified according to EN 12101-3:2015 with Certificate 1404-CPR-3027
- Star-Delta operation possible
- Star: direct 400V 3~ grid or frequency converter with 400V output
- Delta: direct 230V 3~ grid or frequency converter with 230V 1~ input and 230V 3~ output
- Frequency converter with Fire-Mode function (optional)

Operating Point		1	2	3	4	5
Current I	A	1,7	2,1	2,7	2,4	2,1
Power consumption P ₁	W	538	994	1443	1215	955
Rotation speed n	1/min	1483	1465	1446	1458	1468
SWL inlet L _{WA5}	dB(A)	79	79	78	82	84
SWL outlet L _{WA6}	dB(A)	86	86	84	88	90
SWL housing break out L _{WA2}	dB(A)	-	-	-	-	-

Sound power (L _W) dB(A)		Medium Frequency Band								
		Σ	63	125	250	500	1k	2k	4k	8k
Inlet	L _{WA5}	78	42	69	69	69	71	74	69	62
Outlet	L _{WA6}	84	44	71	74	77	80	77	72	64
Housing radiation	L _{WA2}	-	-	-	-	-	-	-	-	-

DHN 500 D4 F4 30 150547	
Voltage U _N	400 V 3~
Current I _{max}	2,8 A
Ambient temperature t _A	60 °C
Conveyed medium temperature t _M	200 °C
Speed Control	f
Motor protection	-
Insulation class motor	F
Weight	81,0 kg
Number of poles	4
IP motor	IP55
IP terminal box	-
IP complete unit	-
Min. operating temperature	-20 °C



6x M6x15
Ø 438

4x Ø 11



ruck Ventilatoren
Max-Planck-Str. 5
D-97944 Boxberg



Protection Mark
according to ISO16016

Created d.ursu
Drawn d.ursu
Released a.ganea
Disabled

1:10 A4 mm

General tolerances
DIN ISO 2768-c

DHN500D4F430

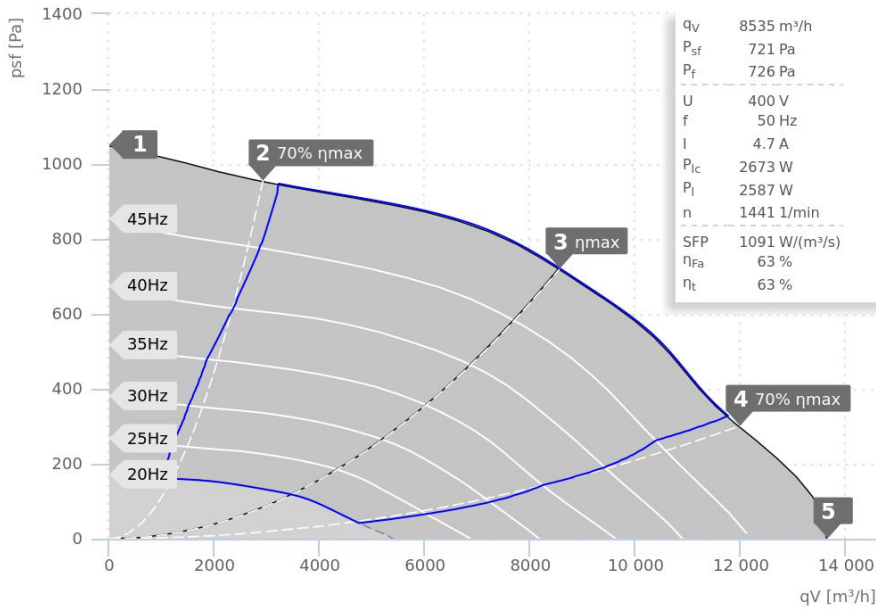
150547 00



DATA SHEET

ruck.eu
VENTILATOREN

DHN 560 D4 F4 30 | 150749



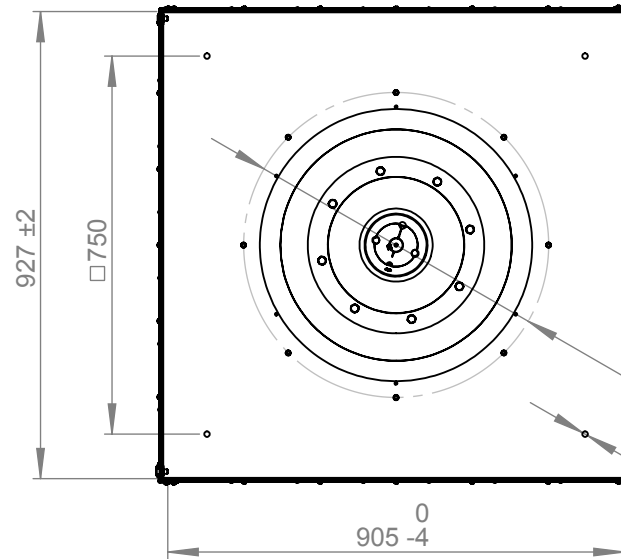
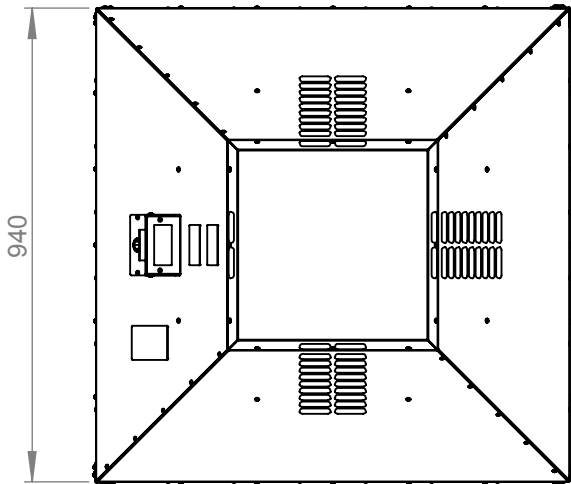
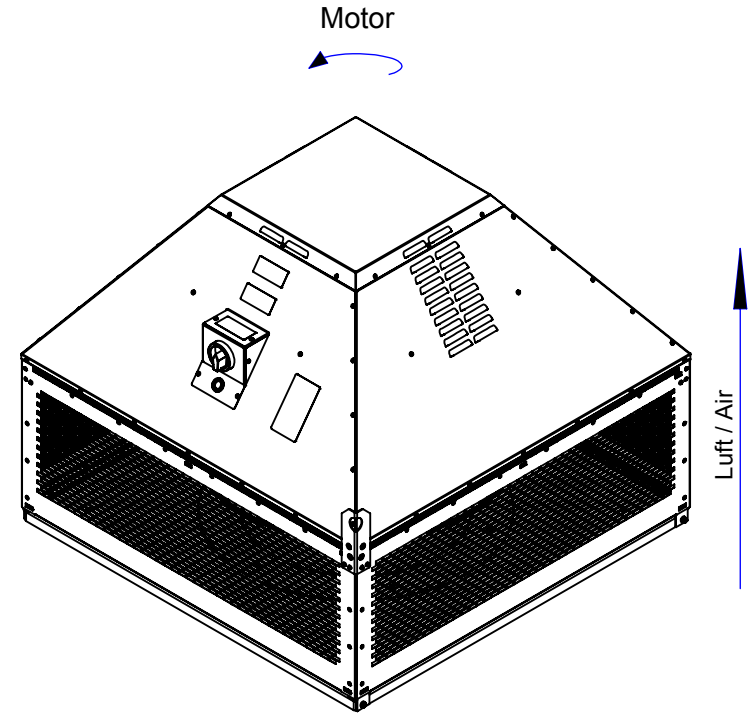
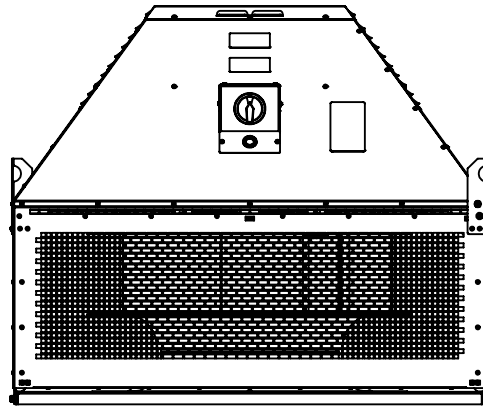
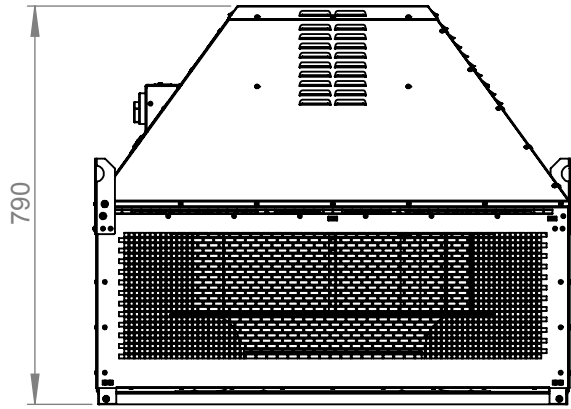
- 200 °C continuous operation and 400 °C / 120 min.
- Motor outside of air stream
- Speed controllable
- Certified according to EN 12101-3:2015 with Certificate 1404-CPR-3027
- Star-Delta operation possible
- Star: direct 400V 3~ grid or frequency converter with 400V output
- Delta: direct 230V 3~ grid or frequency converter with 230V 1~ input and 230V 3~ output
- Frequency converter with Fire-Mode function (optional)

— ErP compliant range

Operating Point		1	2	3	4	5
Current I	A	2,6	3,6	4,7	3,9	3,3
Power consumption P _i	W	904	1794	2600	2086	1700
Rotation speed n	1/min	1470	1460	1443	1454	1465
SWL inlet L _{WA5}	dB(A)	81	80	80	86	90
SWL outlet L _{WA6}	dB(A)	88	88	87	93	96
SWL housing break out L _{WA2}	dB(A)	-	-	-	-	-

Sound power (L _W) dB(A)		Medium Frequency Band								
		Σ	63	125	250	500	1k	2k	4k	8k
Inlet	L _{WA5}	80	45	74	73	72	73	73	69	62
Outlet	L _{WA6}	87	47	77	78	81	82	79	75	67
Housing radiation	L _{WA2}	-	-	-	-	-	-	-	-	-

DHN 560 D4 F4 30 150749	
Voltage U _N	400 V 3~
Current I _{max}	4,9 A
Ambient temperature t _A	60 °C
Conveyed medium temperature t _M	200 °C
Speed Control	f
Motor protection	-
Insulation class motor	F
Weight	108,0 kg
Number of poles	4
IP motor	IP55
IP terminal box	-
IP complete unit	-
Min. operating temperature	-20 °C

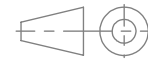


8x M8x20
 $\varnothing 605$

4 X $\varnothing 11$



ruck Ventilatoren
 Max-Planck-Str. 5
 D-97944 Boxberg



1:15 A4 mm

Protection Mark
 according to ISO16016

General tolerances
 DIN ISO 2768-c

DHN560D4F430

Created a.ganea
 Drawn a.ganea
 Released a.ganea
 Disabled

15.03.2019
 15.03.2019
 29.11.2019

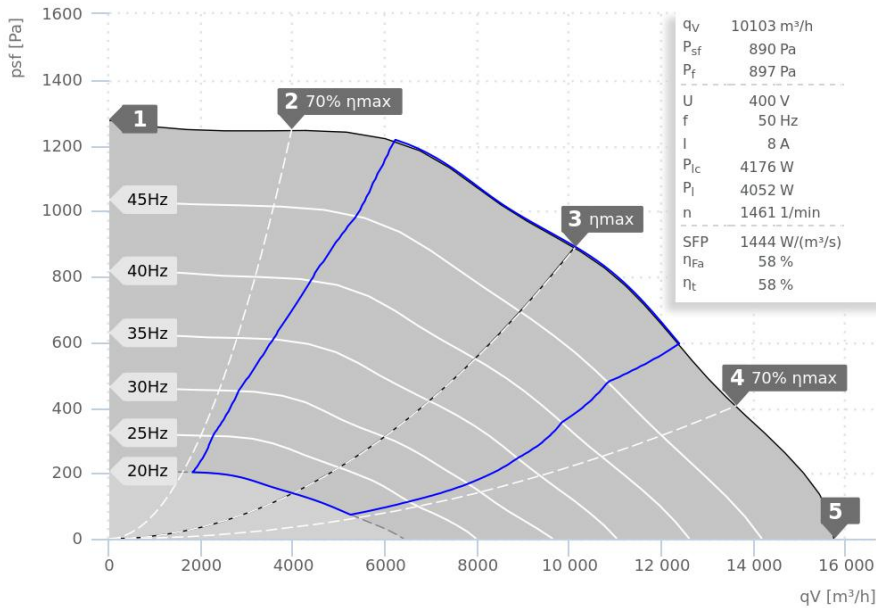
150749 00



DATA SHEET

ruck.eu
VENTILATOREN

DHN 630 D4 F4 30 | 150564



— ErP compliant range

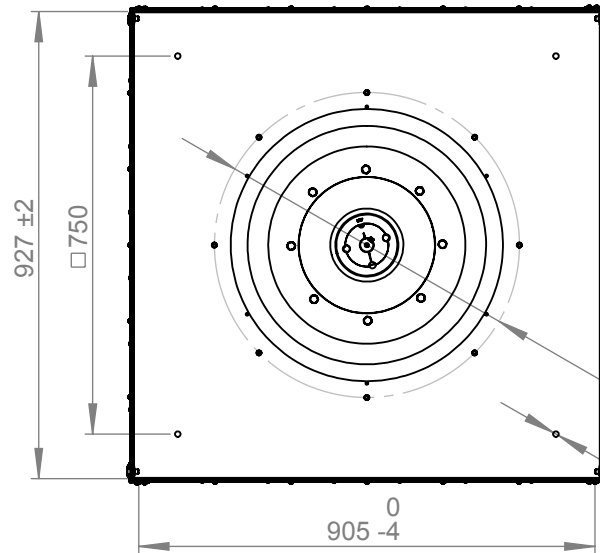
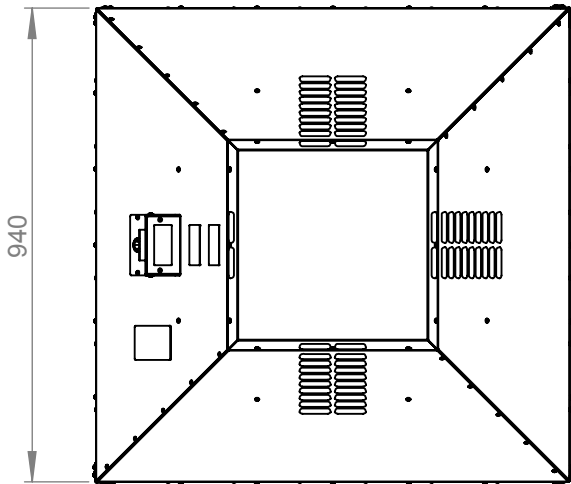
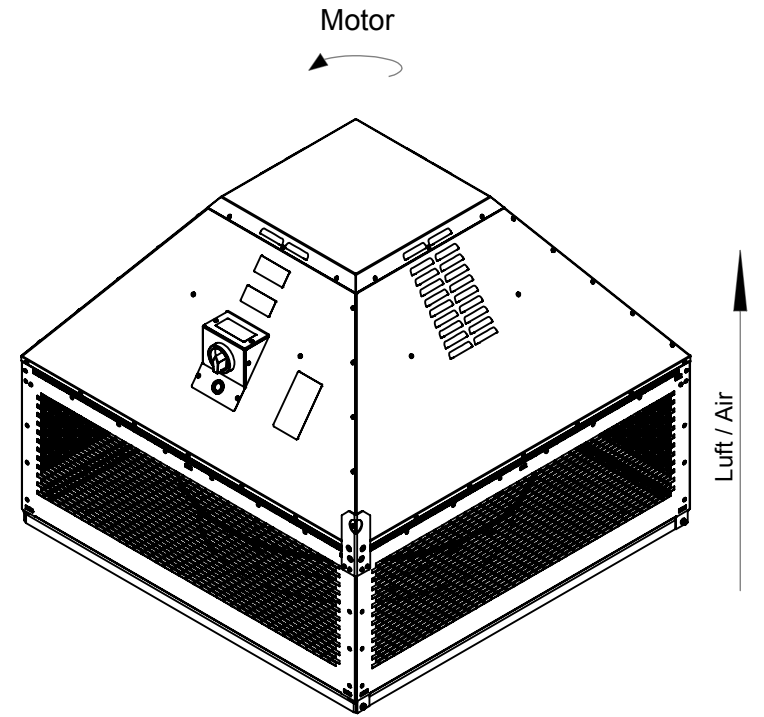
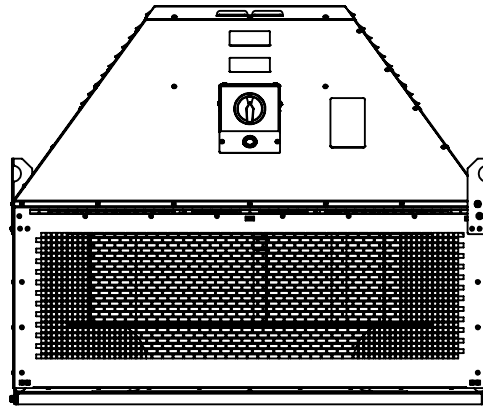
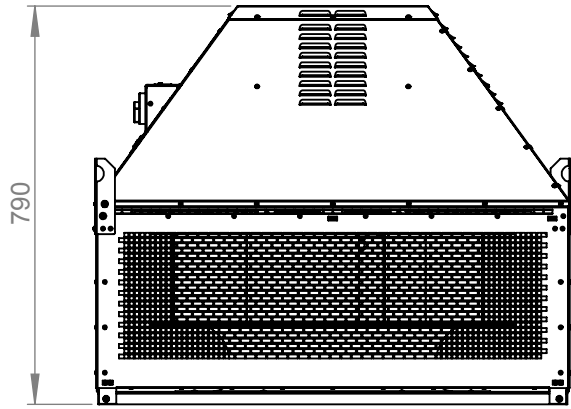


- 200 °C continuous operation and 400 °C / 120 min.
- Motor outside of air stream
- Speed controllable
- Certified according to EN 12101-3:2015 with Certificate 1404-CPR-3027
- Frequency converter with 400V 3~ input and 400V 3~ output
- Frequency converter with Fire-Mode function (optional)

Operating Point		1	2	3	4	5
Current I	A	5,4	7,0	8,0	7,3	6,3
Power consumption P_1	W	1775	3256	4071	3511	2895
Rotation speed n	1/min	1482	1470	1463	1466	1473
SWL inlet L_{WA5}	dB(A)	85	87	88	92	94
SWL outlet L_{WA6}	dB(A)	93	94	94	98	101
SWL housing break out L_{WA2}	dB(A)	-	-	-	-	-

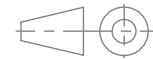
Sound power (L_W) dB(A)		Medium Frequency Band								
		Σ	63	125	250	500	1k	2k	4k	8k
Inlet	L_{WA5}	88	62	79	81	81	83	81	75	68
Outlet	L_{WA6}	94	65	80	86	90	89	83	78	71
Housing radiation	L_{WA2}	-	-	-	-	-	-	-	-	-

DHN 630 D4 F4 30 150564	
Voltage U_N	400 V 3~
Current I_{max}	8,5 A
Ambient temperature t_A	50 °C
Conveyed medium temperature t_M	200 °C
Speed Control	f
Motor protection	-
Insulation class motor	F
Weight	121,0 kg
Number of poles	4
IP motor	IP55
IP terminal box	-
IP complete unit	-
Min. operating temperature	-20 °C



8x M8x20
Ø 605

4 X Ø 11



Protection Mark
according to ISO 16016

Created a.ganea
Drawn a.ganea
Released a.ganea
Disabled

1:15 A4 mm

General tolerances
DIN ISO 2768-c

DHN630D4F430

150564 00

