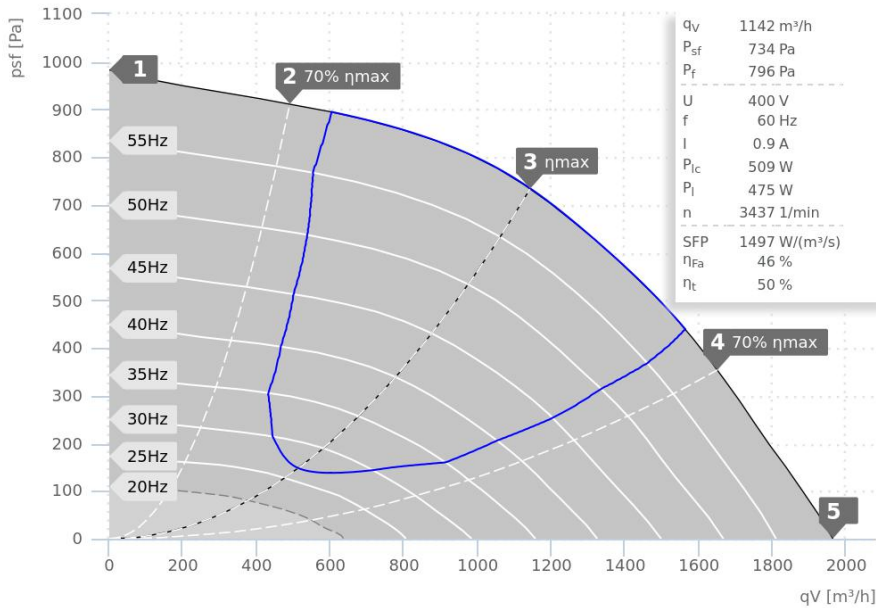


DATA SHEET

MPS 225 D2 F4 30 | 145815



— ErP compliant range

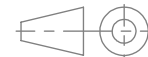
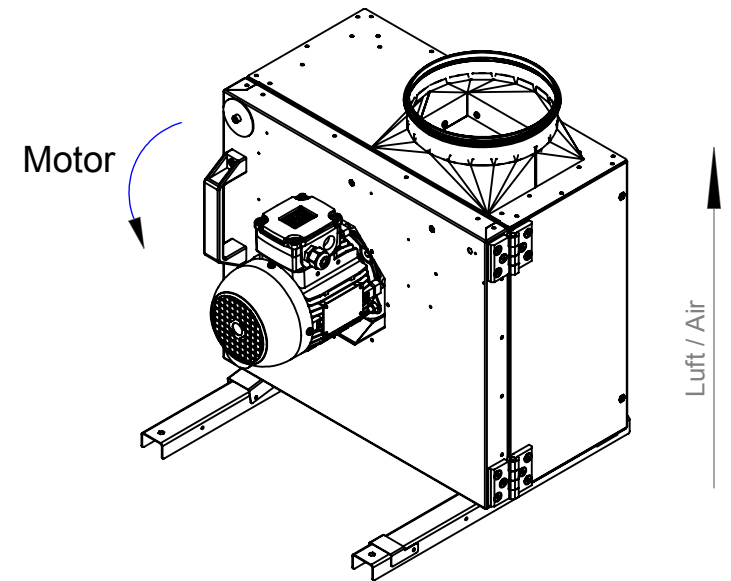
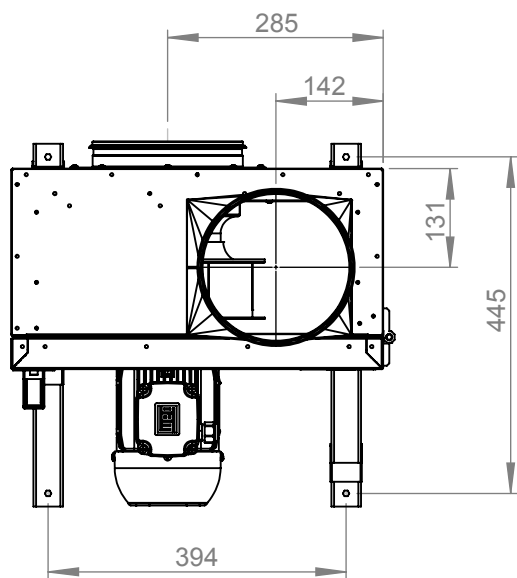
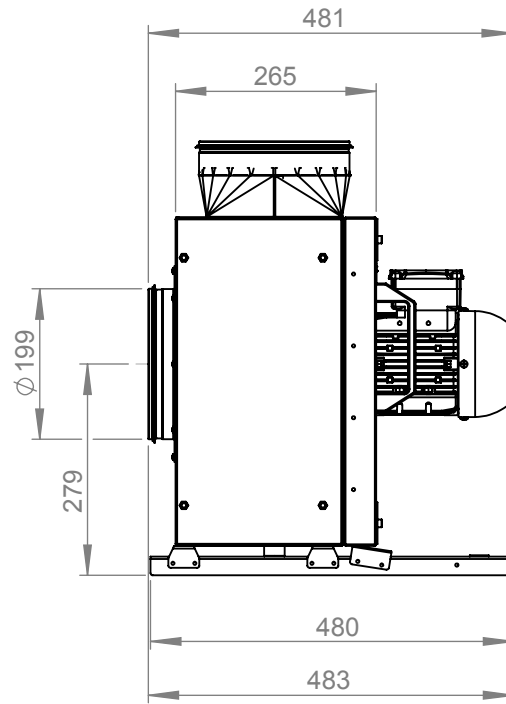
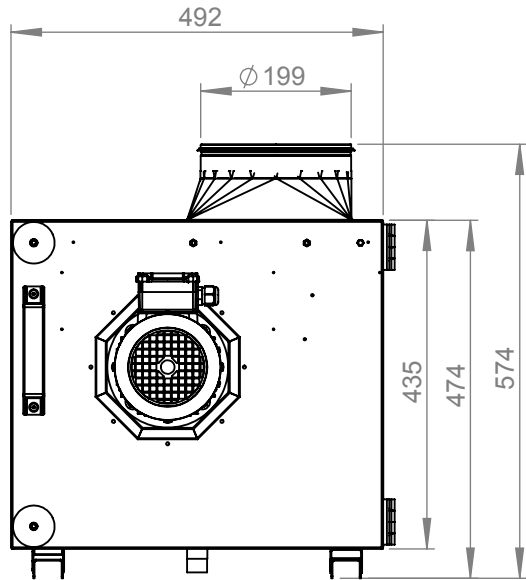


- 200 °C continuous operation and 400 °C / 120 min.
- Motor outside of air stream
- Speed controllable
- Galvanized sheet steel double wall casing
- Swing-out fan unit
- With condensate and grease drain
- Certified according to EN 12101-3:2015 with Certificate 1404-CPR-3070
- Star-Delta operation possible
- Star: direct 400V 3~ grid or frequency converter with 400V output
- Delta: direct 230V 3~ grid or frequency converter with 230V 1~ input and 230V 3~ output
- Frequency converter with Fire-Mode function (optional)

Operating Point		1	2	3	4	5
Current I	A	0,6	0,7	0,9	0,9	0,8
Power consumption P _i	W	239	368	475	471	416
Rotation speed n	1/min	3521	3476	3437	3443	3470
SWL inlet L _{WA5}	dB(A)	82	81	79	83	85
SWL outlet L _{WA6}	dB(A)	84	83	83	87	88
SWL housing break out L _{WA2}	dB(A)	76	76	74	75	76

Sound power (L _W) dB(A)		Medium Frequency Band								
		Σ	63	125	250	500	1k	2k	4k	8k
Inlet	L _{WA5}	79	46	63	66	75	74	72	70	62
Outlet	L _{WA6}	83	46	64	66	80	75	76	73	65
Housing radiation	L _{WA2}	74	53	59	60	66	68	70	65	57

MPS 225 D2 F4 30 145815	
Voltage U _N	400 V 3~
Current I _{max}	0,9 A
Ambient temperature t _A	50 °C
Conveyed medium temperature t _M	200 °C
Speed Control	f
Motor protection	-
Insulation class motor	F
Weight	29,3 kg
Number of poles	2
IP motor	IP55
IP terminal box	-
IP complete unit	-
Min. operating temperature	-20 °C



1:10 A4 mm

Protection Mark
according to ISO16016

General tolerances
DIN ISO 2768-c

MPS225D2F430

Created s.pop
Drawn s.pop
Released v.brand
Disabled

10.04.2018
10.04.2018
23.09.2019

145815 00

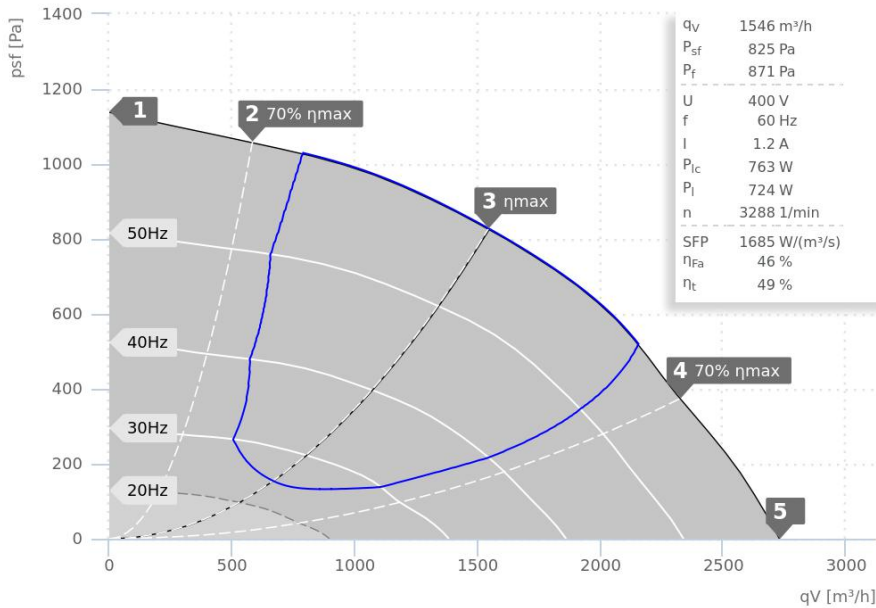
ruck^{eu}
VENTILATOREN
ruck Ventilatoren
Max-Planck-Str. 5
D-97944 Boxberg

VENTAS
VENTILATOREN

DATA SHEET

ruck.eu
VENTILATOREN

MPS 250 D2 F4 30 | 145819



— ErP compliant range

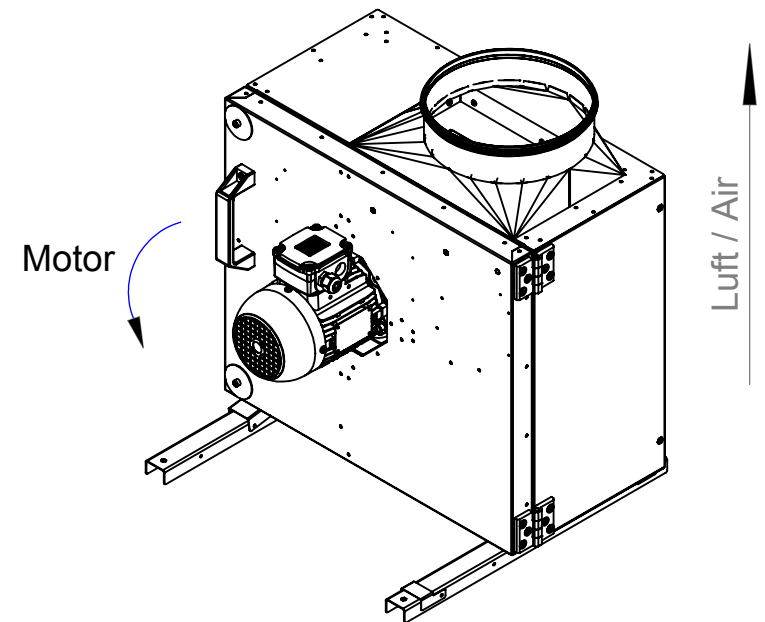
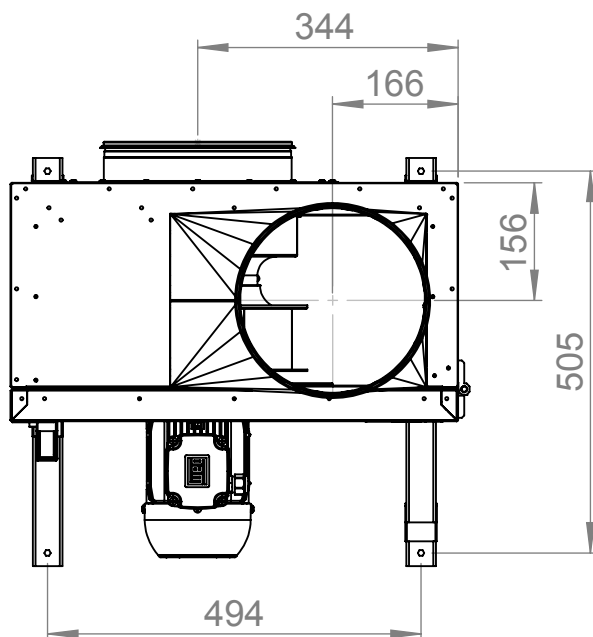
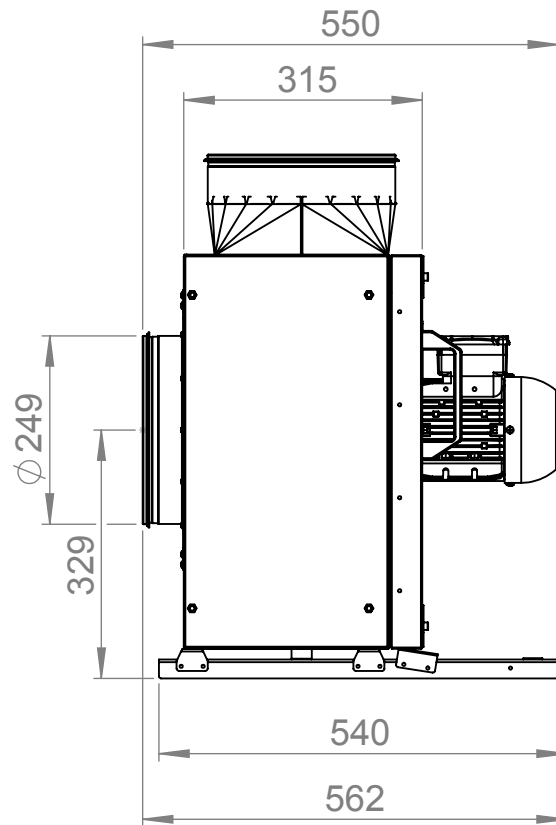
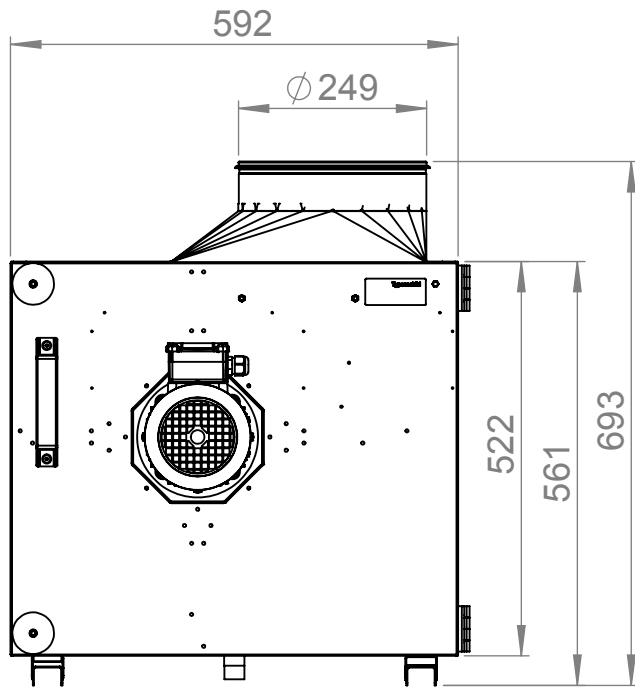


- 200 °C continuous operation and 400 °C / 120 min.
- Motor outside of air stream
- Speed controllable
- Galvanized sheet steel double wall casing
- Swing-out fan unit
- With condensate and grease drain
- Certified according to EN 12101-3:2015 with Certificate 1404-CPR-3070
- Star-Delta operation possible
- Star: direct 400V 3~ grid or frequency converter with 400V output
- Delta: direct 230V 3~ grid or frequency converter with 230V 1~ input and 230V 3~ output
- Frequency converter with Fire-Mode function (optional)

Operating Point		1	2	3	4	5
Current I	A	0,6	0,9	1,2	1,1	1,0
Power consumption P _i	W	323	508	725	698	614
Rotation speed n	1/min	3475	3391	3292	3316	3372
SWL inlet L _{WA5}	dB(A)	84	84	82	86	89
SWL outlet L _{WA6}	dB(A)	86	86	85	89	88
SWL housing break out L _{WA2}	dB(A)	75	74	72	74	75

Sound power (L _W) dB(A)		Medium Frequency Band								
		Σ	63	125	250	500	1k	2k	4k	8k
Inlet	L _{WA5}	82	51	63	74	80	73	72	70	63
Outlet	L _{WA6}	85	57	65	80	80	76	77	72	64
Housing radiation	L _{WA2}	72	51	62	66	62	65	67	61	55

MPS 250 D2 F4 30 145819	
Voltage U _N	400 V 3~
Current I _{max}	1,3 A
Ambient temperature t _A	50 °C
Conveyed medium temperature t _M	200 °C
Speed Control	f
Motor protection	-
Insulation class motor	F
Weight	38,0 kg
Number of poles	2
IP motor	IP55
IP terminal box	-
IP complete unit	-
Min. operating temperature	-20 °C



ruck^{eu}
VENTILATOREN
ruck Ventilatoren
Max-Planck-Str. 5
D-97944 Boxberg



1:11 A4 mm

Protection Mark
according to ISO16016

General tolerances
DIN ISO 2768-c

Created s.pop
Drawn s.pop
Released v.brand
Disabled

10.04.2018
10.04.2018
23.09.2019

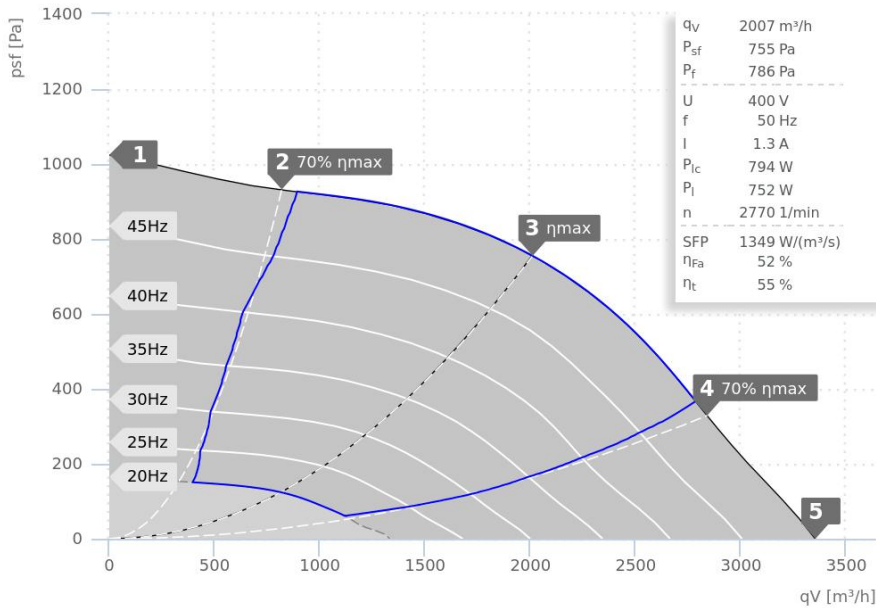
MPS250D2F430

145819 00

VENTAS
VENTILATORER

DATA SHEET

MPS 280 D2 F4 30 | 145832



— ErP compliant range

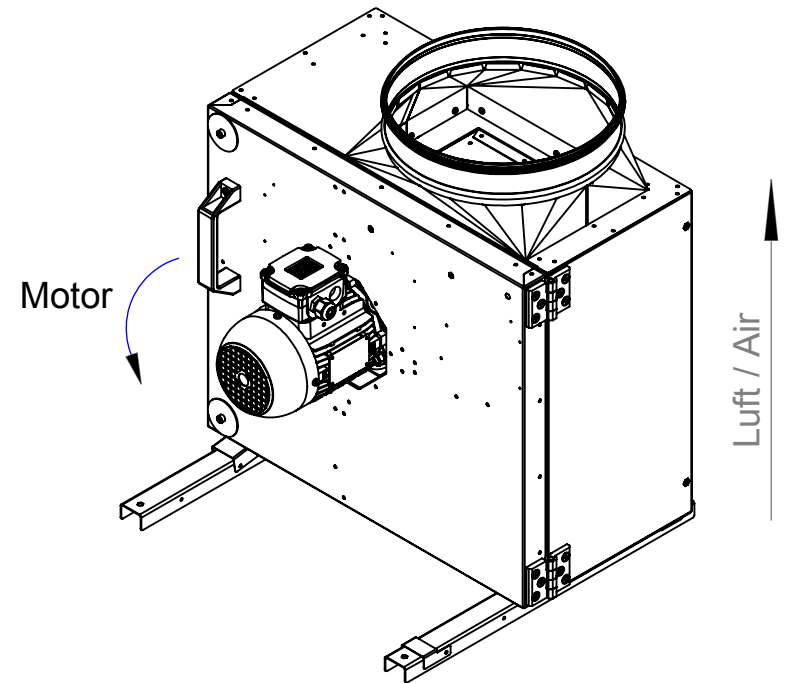
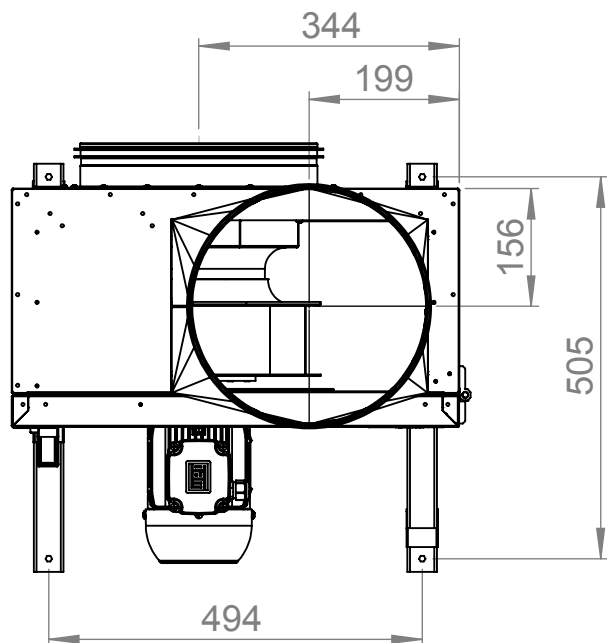
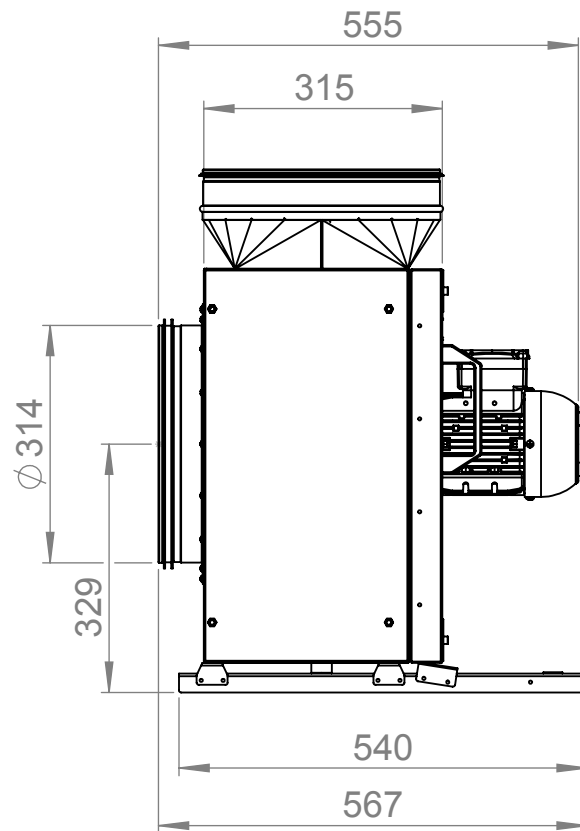
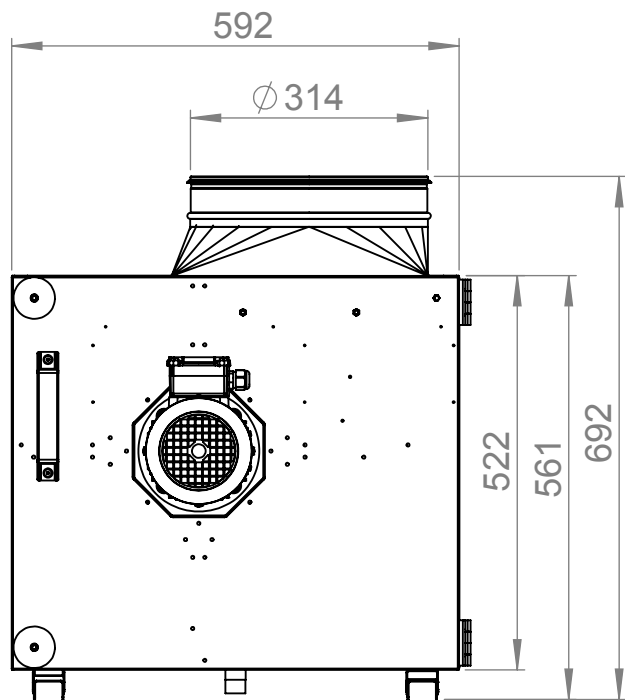


- 200 °C continuous operation and 400 °C / 120 min.
- Motor outside of air stream
- Speed controllable
- Galvanized sheet steel double wall casing
- Swing-out fan unit
- With condensate and grease drain
- Certified according to EN 12101-3:2015 with Certificate 1404-CPR-3070
- Star-Delta operation possible
- Star: direct 400V 3~ grid or frequency converter with 400V output
- Delta: direct 230V 3~ grid or frequency converter with 230V 1~ input and 230V 3~ output
- Frequency converter with Fire-Mode function (optional)

Operating Point		1	2	3	4	5
Current I	A	0,8	1,0	1,3	1,1	1,0
Power consumption P _l	W	323	551	753	659	558
Rotation speed n	1/min	2910	2835	2771	2810	2852
SWL inlet L _{WA5}	dB(A)	84	82	81	85	86
SWL outlet L _{WA6}	dB(A)	86	86	85	88	90
SWL housing break out L _{WA2}	dB(A)	75	75	75	77	75

Sound power (L _W) dB(A)		Medium Frequency Band								
		Σ	63	125	250	500	1k	2k	4k	8k
Inlet	L _{WA5}	81	40	56	73	75	77	72	70	63
Outlet	L _{WA6}	85	48	63	81	75	78	78	74	67
Housing radiation	L _{WA2}	75	53	57	64	58	74	64	57	50

MPS 280 D2 F4 30 145832	
Voltage U _N	400 V 3~
Current I _{max}	1,3 A
Ambient temperature t _A	50 °C
Conveyed medium temperature t _M	200 °C
Speed Control	f
Motor protection	-
Insulation class motor	F
Weight	38,5 kg
Number of poles	2
IP motor	IP55
IP terminal box	-
IP complete unit	-
Min. operating temperature	-20 °C



ruck^{eu}
 VENTILATOREN
 ruck Ventilatoren
 Max-Planck-Str. 5
 D-97944 Boxberg



1:10 A4 mm

Protection Mark
 according to ISO16016

General tolerances
 DIN ISO 2768-c

MPS280D2F430

Created s.pop
 Drawn s.pop
 Released v.brand
 Disabled

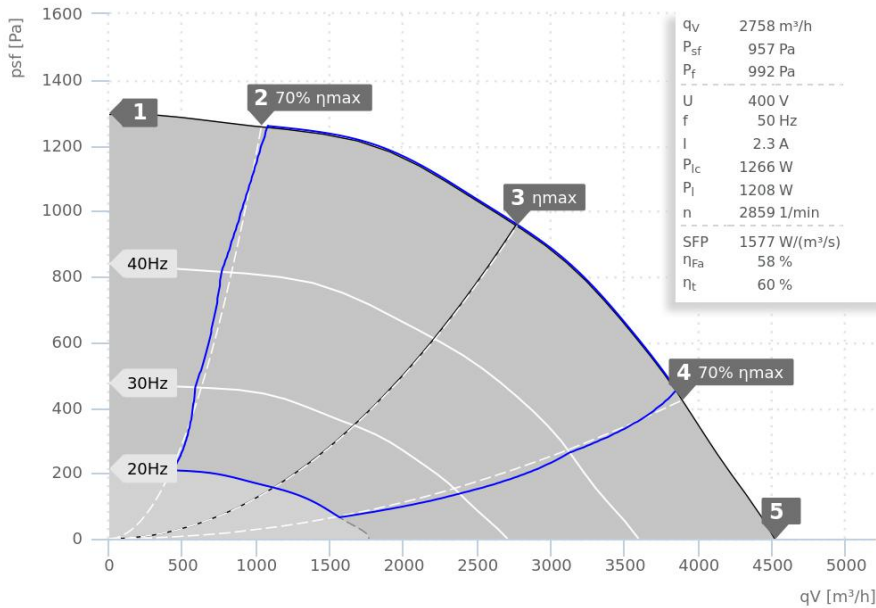
10.04.2018
 10.04.2018
 23.09.2019

145832 00

VENTAS
 VENTILATORER

DATA SHEET

MPS 315 D2 F4 30 | 145840



— ErP compliant range

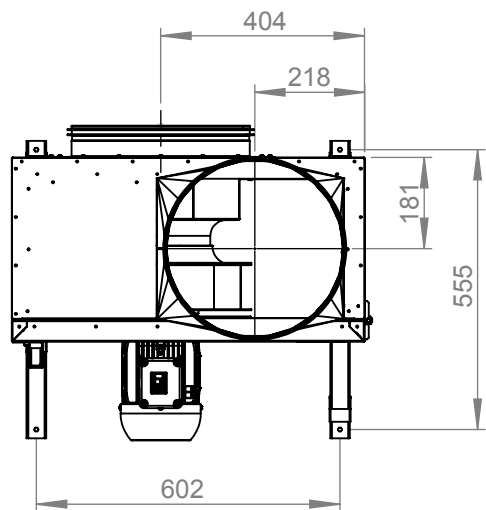
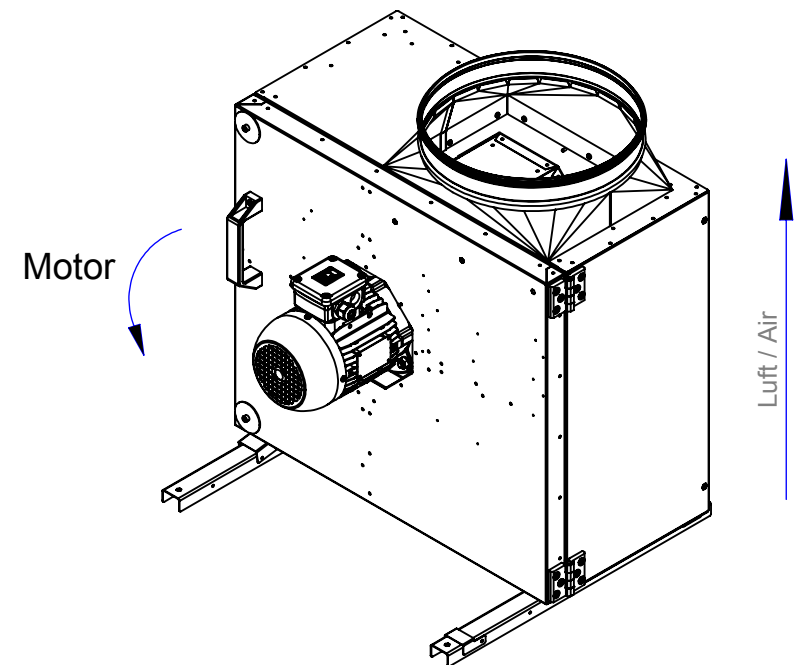
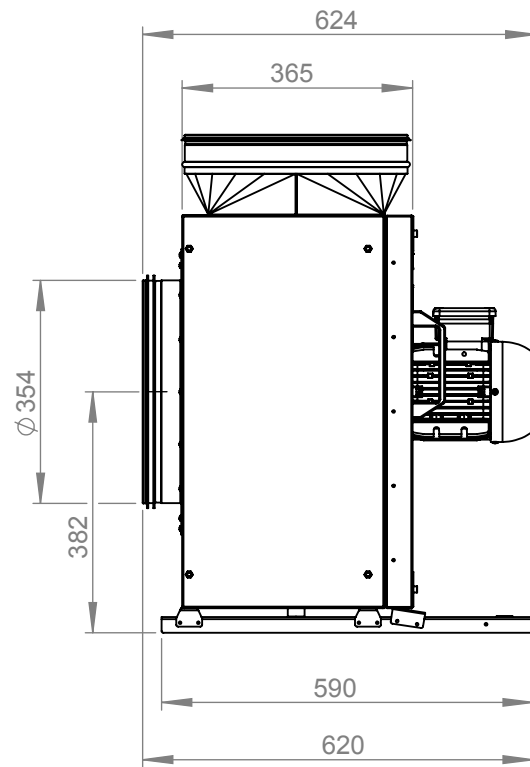
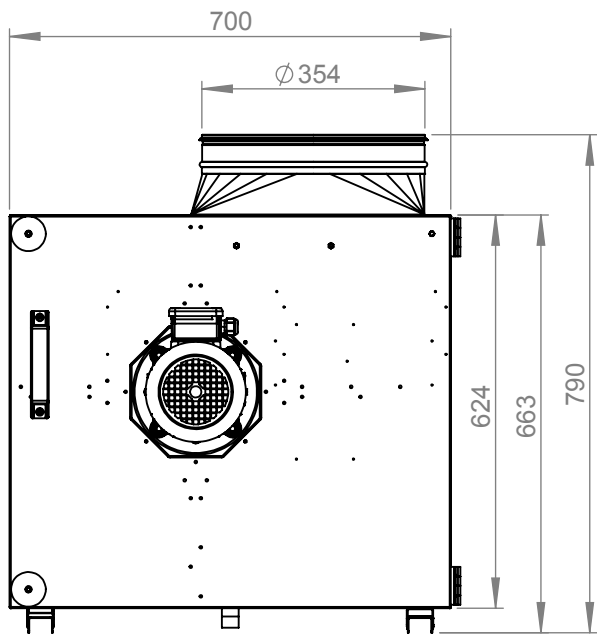


- 200 °C continuous operation and 400 °C / 120 min.
- Motor outside of air stream
- Speed controllable
- Galvanized sheet steel double wall casing
- Swing-out fan unit
- With condensate and grease drain
- Certified according to EN 12101-3:2015 with Certificate 1404-CPR-3070
- Star-Delta operation possible
- Star: direct 400V 3~ grid or frequency converter with 400V output
- Delta: direct 230V 3~ grid or frequency converter with 230V 1~ input and 230V 3~ output
- Frequency converter with Fire-Mode function (optional)

		Operating Point				
		1	2	3	4	5
Current I	A	1,6	1,9	2,3	2,1	1,9
Power consumption P _i	W	490	866	1211	1070	861
Rotation speed n	1/min	2944	2901	2862	2885	2916
SWL inlet L _{WA5}	dB(A)	87	86	87	91	93
SWL outlet L _{WA6}	dB(A)	89	88	87	90	92
SWL housing break out L _{WA2}	dB(A)	77	75	72	75	75

Sound power (L _W) dB(A)		Medium Frequency Band								
		Σ	63	125	250	500	1k	2k	4k	8k
Inlet	L _{WA5}	87	48	61	84	80	76	76	74	68
Outlet	L _{WA6}	87	51	63	82	78	81	80	76	69
Housing radiation	L _{WA2}	72	50	58	66	61	65	66	63	54

MPS 315 D2 F4 30 145840	
Voltage U _N	400 V 3~
Current I _{max}	2,4 A
Ambient temperature t _A	50 °C
Conveyed medium temperature t _M	200 °C
Speed Control	f
Motor protection	-
Insulation class motor	F
Weight	52,9 kg
Number of poles	2
IP motor	IP55
IP terminal box	-
IP complete unit	-
Min. operating temperature	-20 °C



ruck^{eu}
VENTILATOREN
ruck Ventilatoren
Max-Planck-Str. 5
D-97944 Boxberg



Protection Mark
according to ISO16016

Created s.pop
Drawn s.pop
Released v.brand
Disabled

1:12 A4 mm

General tolerances
DIN ISO 2768-c

10.04.2018
10.04.2018
23.09.2019

MPS315D2F430

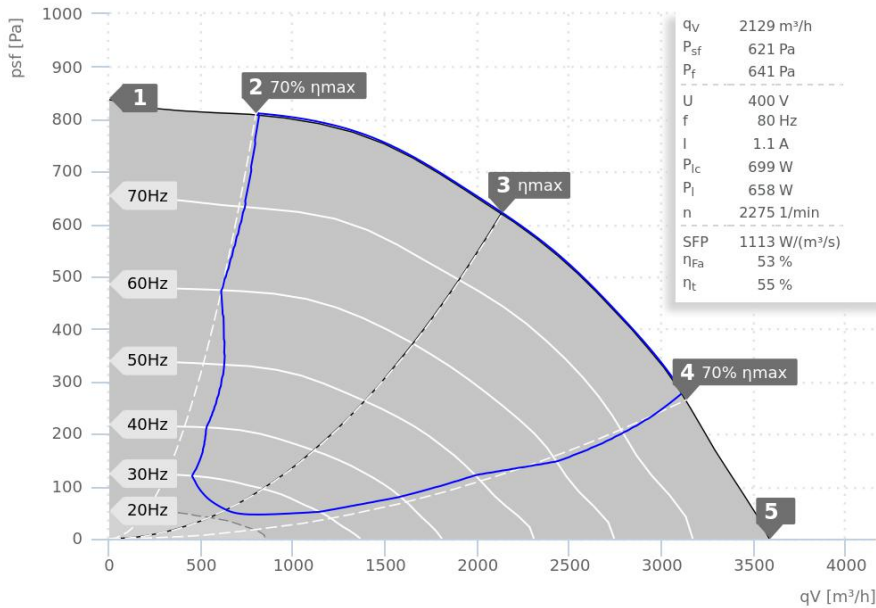
145840 00

VENTAS
VENTILATORER

DATA SHEET

ruck.eu
VENTILATOREN

MPS 315 D4 F4 30 | 145845



— ErP compliant range

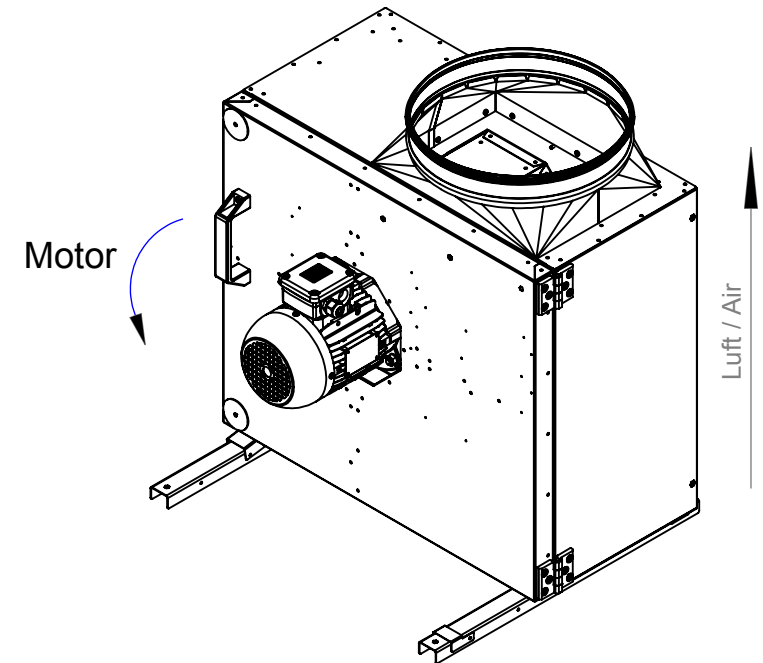
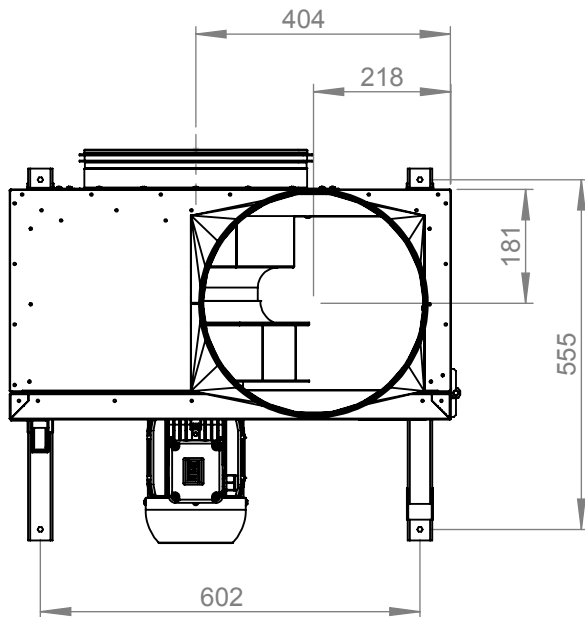
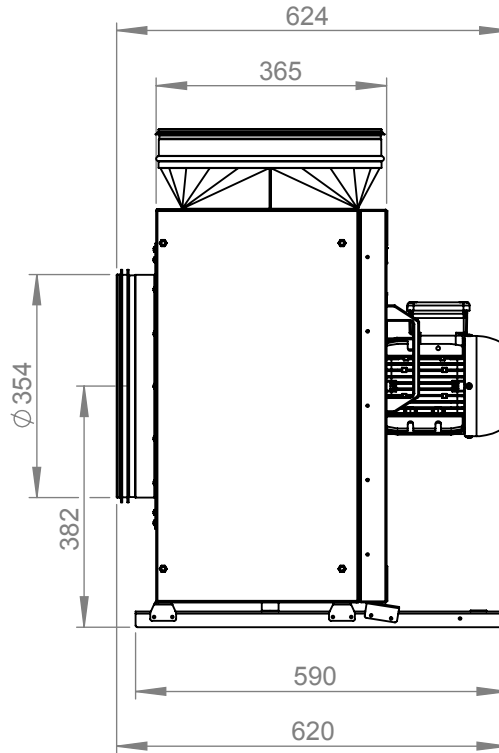
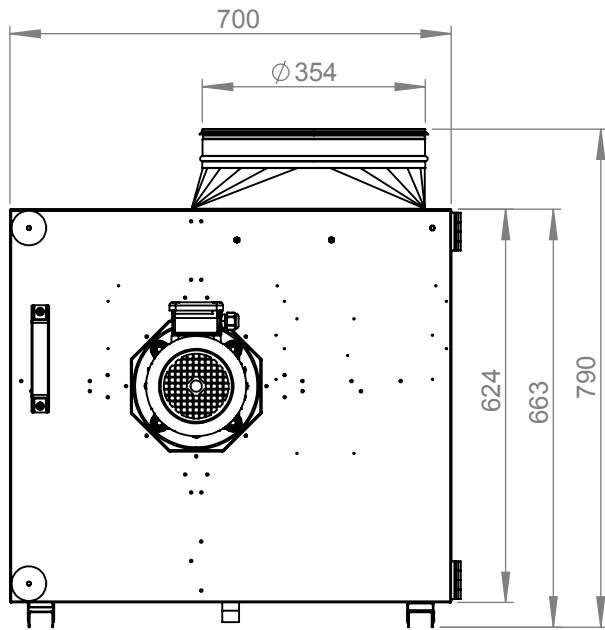


- 200 °C continuous operation and 400 °C / 120 min.
- Motor outside of air stream
- Speed controllable
- Galvanized sheet steel double wall casing
- Swing-out fan unit
- With condensate and grease drain
- Certified according to EN 12101-3:2015 with Certificate 1404-CPR-3070
- Star-Delta operation possible
- Star: direct 400V 3~ grid or frequency converter with 400V output
- Delta: direct 230V 3~ grid or frequency converter with 230V 1~ input and 230V 3~ output
- Frequency converter with Fire-Mode function (optional)

Operating Point		1	2	3	4	5
Current I	A	0,6	0,8	1,1	1,0	0,8
Power consumption P _I	W	266	462	662	583	471
Rotation speed n	1/min	2351	2320	2279	2299	2320
SWL inlet L _{WA5}	dB(A)	80	79	79	83	85
SWL outlet L _{WA6}	dB(A)	82	80	80	84	89
SWL housing break out L _{WA2}	dB(A)	71	70	71	72	72

Sound power (L _W) dB(A)		Medium Frequency Band								
		Σ	63	125	250	500	1k	2k	4k	8k
Inlet	L _{WA5}	78	39	57	73	73	71	71	67	60
Outlet	L _{WA6}	80	44	56	75	71	75	74	68	61
Housing radiation	L _{WA2}	71	42	53	66	56	60	68	54	48

MPS 315 D4 F4 30 145845	
Voltage U _N	400 V 3~
Current I _{max}	1,2 A
Ambient temperature t _A	50 °C
Conveyed medium temperature t _M	200 °C
Speed Control	f
Motor protection	-
Insulation class motor	F
Weight	52,9 kg
Number of poles	4
IP motor	IP55
IP terminal box	-
IP complete unit	-
Min. operating temperature	-20 °C



ruck^{eu}
VENTILATOREN
ruck Ventilatoren
Max-Planck-Str. 5
D-97944 Boxberg



1:12 A4 mm

Protection Mark
according to ISO16016

General tolerances
DIN ISO 2768-c

Created s.pop
Drawn s.pop
Released v.brand
Disabled

10.04.2018
10.04.2018
23.09.2019

MPS315D4F430

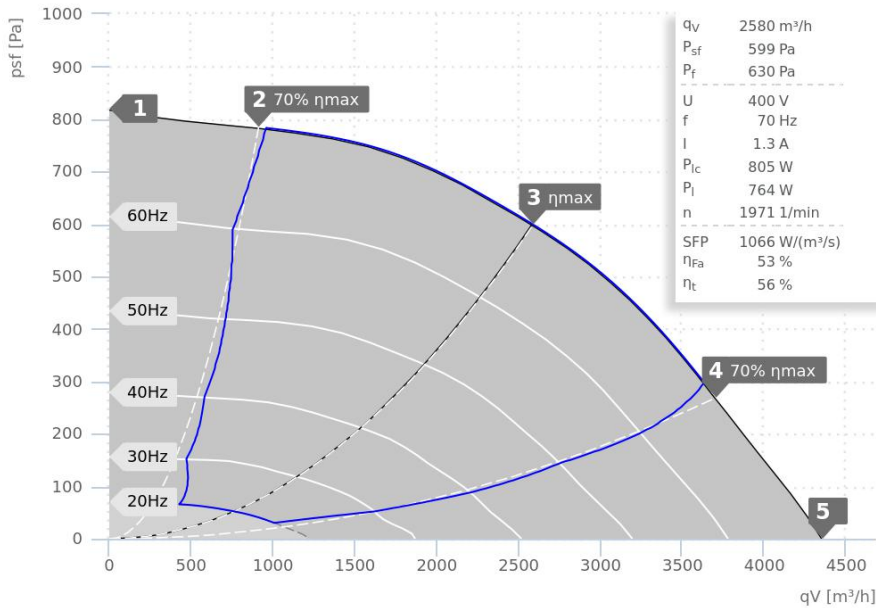
145845 00

VENTAS
VENTILATORER

DATA SHEET

ruck.eu
VENTILATOREN

MPS 355 D4 F4 30 | 145862



— ErP compliant range

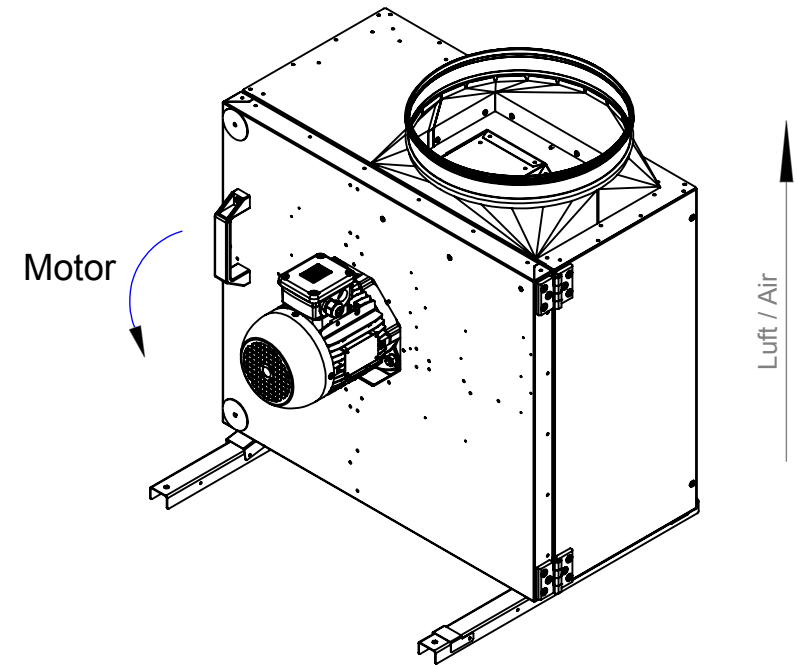
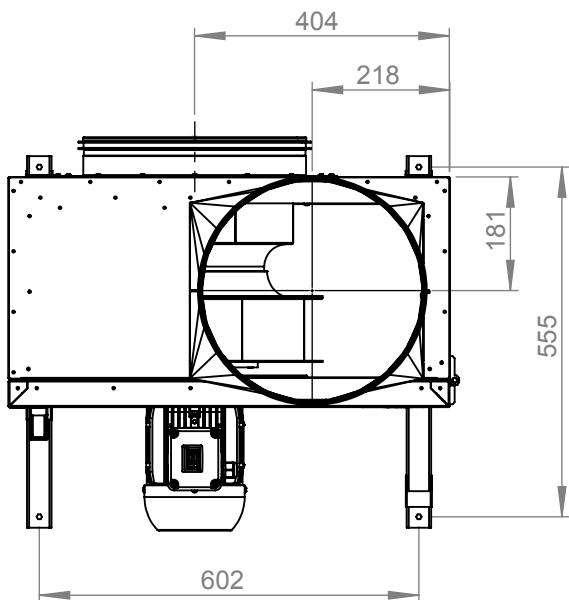
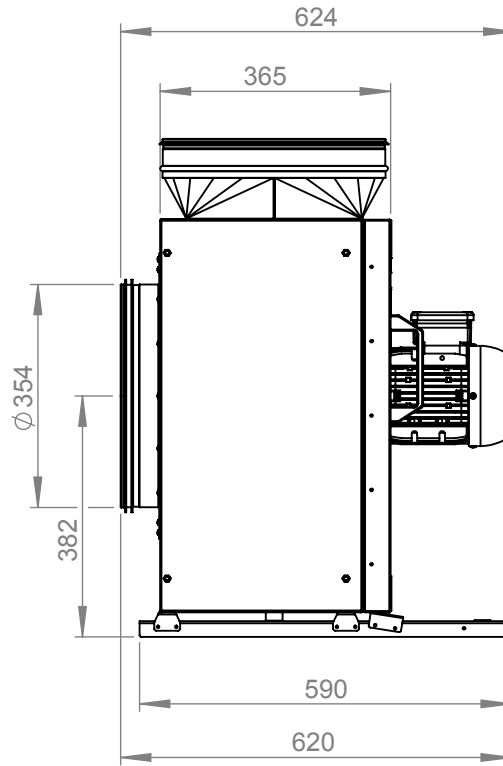
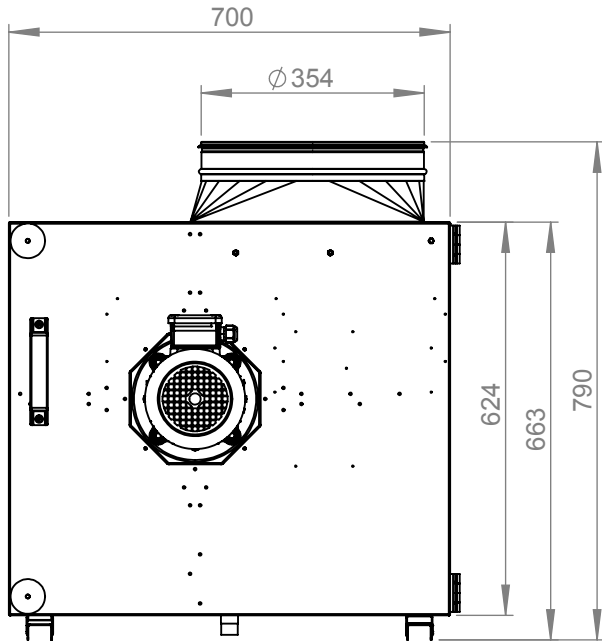


- 200 °C continuous operation and 400 °C / 120 min.
- Motor outside of air stream
- Speed controllable
- Galvanized sheet steel double wall casing
- Swing-out fan unit
- With condensate and grease drain
- Certified according to EN 12101-3:2015 with Certificate 1404-CPR-3070
- Star-Delta operation possible
- Star: direct 400V 3~ grid or frequency converter with 400V output
- Delta: direct 230V 3~ grid or frequency converter with 230V 1~ input and 230V 3~ output
- Frequency converter with Fire-Mode function (optional)

Operating Point		1	2	3	4	5
Current I	A	0,6	0,9	1,3	1,2	1,0
Power consumption P _i	W	302	514	768	698	575
Rotation speed n	1/min	2053	2019	1974	1992	2016
SWL inlet L _{WA5}	dB(A)	82	81	81	84	86
SWL outlet L _{WA6}	dB(A)	83	82	82	84	86
SWL housing break out L _{WA2}	dB(A)	72	69	68	71	73

Sound power (L _W) dB(A)		Medium Frequency Band								
		Σ	63	125	250	500	1k	2k	4k	8k
Inlet	L _{WA5}	81	45	59	72	75	75	75	73	70
Outlet	L _{WA6}	82	46	58	72	72	76	76	74	68
Housing radiation	L _{WA2}	68	45	56	65	57	59	62	55	52

MPS 355 D4 F4 30 145862	
Voltage U _N	400 V 3~
Current I _{max}	1,4 A
Ambient temperature t _A	50 °C
Conveyed medium temperature t _M	200 °C
Speed Control	f
Motor protection	-
Insulation class motor	F
Weight	54,7 kg
Number of poles	4
IP motor	IP55
IP terminal box	-
IP complete unit	-
Min. operating temperature	-20 °C



ruck^{eu}
VENTILATOREN
ruck Ventilatoren
Max-Planck-Str. 5
D-97944 Boxberg



Protection Mark
according to ISO16016

Created s.pop
Drawn s.pop
Released v.brand
Disabled

1:12 A4 mm

General tolerances
DIN ISO 2768-c

11.04.2018
11.04.2018
23.09.2019

MPS355D4F430

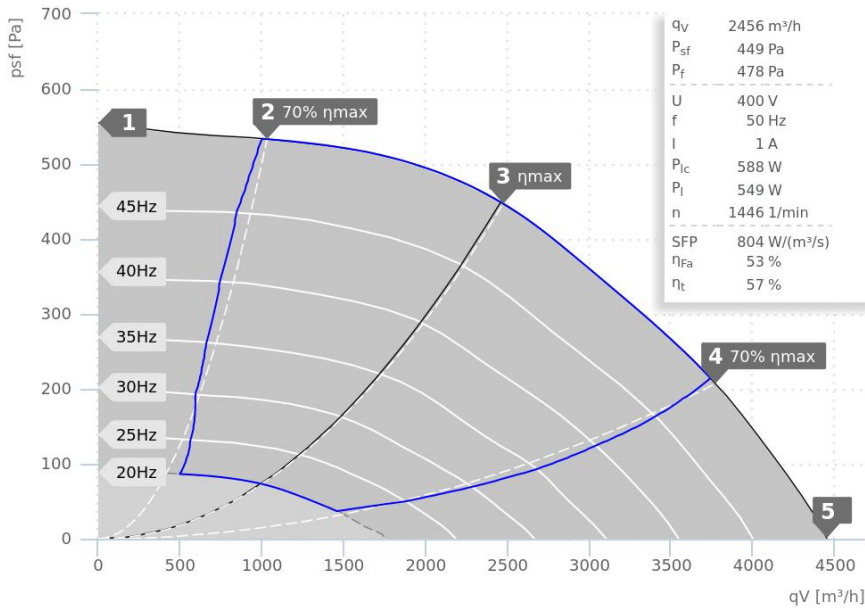
145862 00

VENTAS
VENTILATORER

DATA SHEET

ruck.eu
VENTILATOREN

MPS 400 D4 F4 30 | 145864



— ErP compliant range

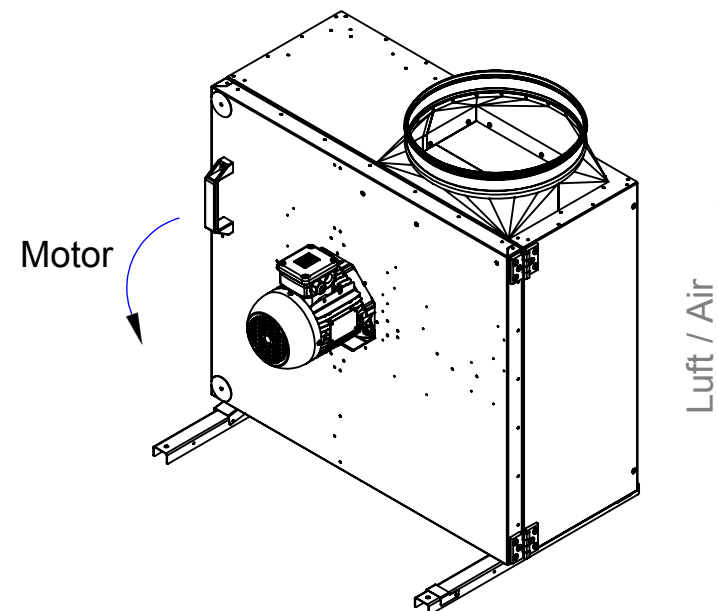
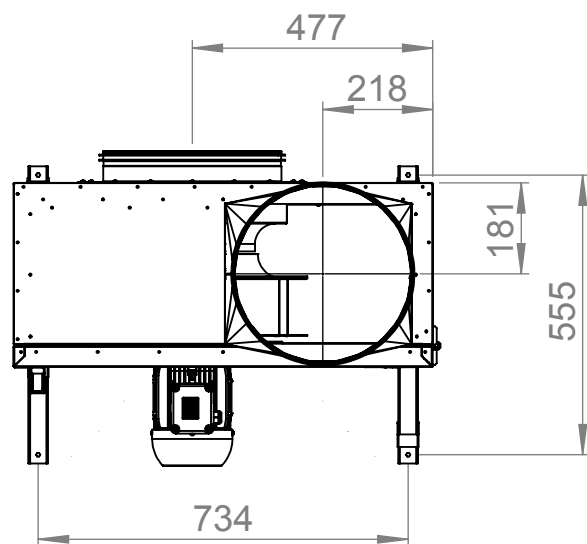
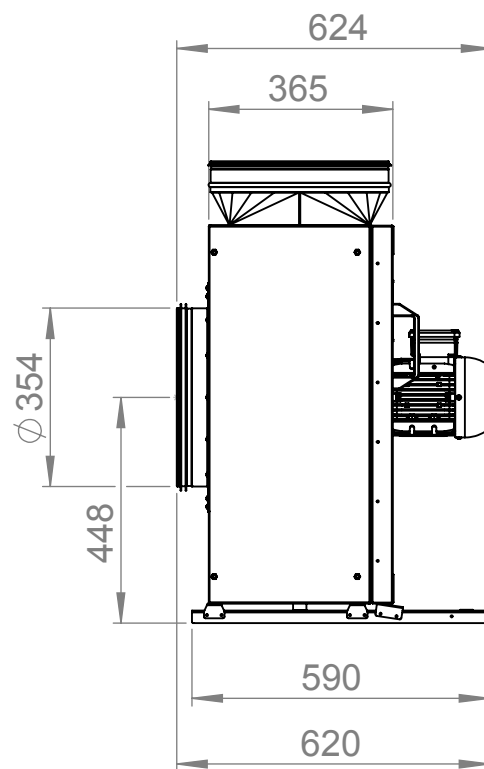
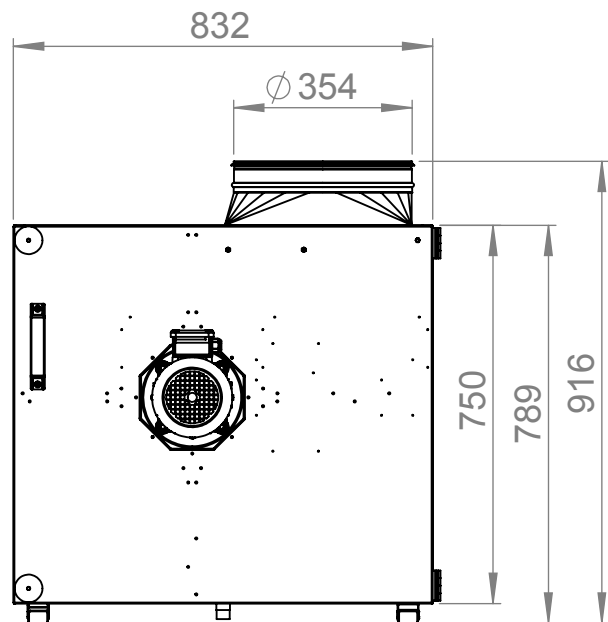


- 200 °C continuous operation and 400 °C / 120 min.
- Motor outside of air stream
- Speed controllable
- Galvanized sheet steel double wall casing
- Swing-out fan unit
- With condensate and grease drain
- Certified according to EN 12101-3:2015 with Certificate 1404-CPR-3070
- Star-Delta operation possible
- Star: direct 400V 3~ grid or frequency converter with 400V output
- Delta: direct 230V 3~ grid or frequency converter with 230V 1~ input and 230V 3~ output
- Frequency converter with Fire-Mode function (optional)

Operating Point		1	2	3	4	5
Current I	A	0,7	0,9	1,0	1,0	1,0
Power consumption P_1	W	234	395	550	549	458
Rotation speed n	1/min	1476	1461	1446	1448	1458
SWL inlet L_{WA5}	dB(A)	74	73	74	78	80
SWL outlet L_{WA6}	dB(A)	75	74	74	77	79
SWL housing break out L_{WA2}	dB(A)	66	65	66	70	72

Sound power (L_W) dB(A)		Medium Frequency Band								
		Σ	63	125	250	500	1k	2k	4k	8k
Inlet	L_{WA5}	74	42	66	68	67	66	66	63	55
Outlet	L_{WA6}	74	45	64	65	65	70	67	63	56
Housing radiation	L_{WA2}	66	46	62	63	53	55	52	46	42

MPS 400 D4 F4 30 145864	
Voltage U_N	400 V 3~
Current I_{max}	1,1 A
Ambient temperature t_A	50 °C
Conveyed medium temperature t_M	200 °C
Speed Control	f
Motor protection	-
Insulation class motor	F
Weight	72,1 kg
Number of poles	4
IP motor	IP55
IP terminal box	-
IP complete unit	-
Min. operating temperature	-20 °C



ruck^{eu}
VENTILATOREN
ruck Ventilatoren
Max-Planck-Str. 5
D-97944 Boxberg



Protection Mark
according to ISO16016

Created s.pop
Drawn s.pop
Released v.brand
Disabled

1:15 A4 mm

General tolerances
DIN ISO 2768-c

11.04.2018
11.04.2018
23.09.2019

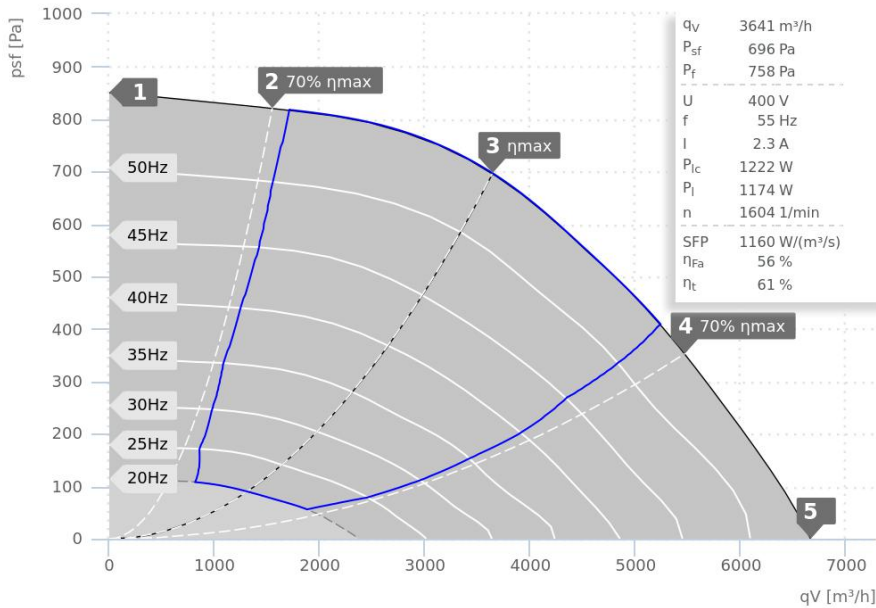
MPS400D4F430

145864 00

VENTAS
VENTILATOREN

DATA SHEET

MPS 450 D4 F4 30 | 145867



— ErP compliant range

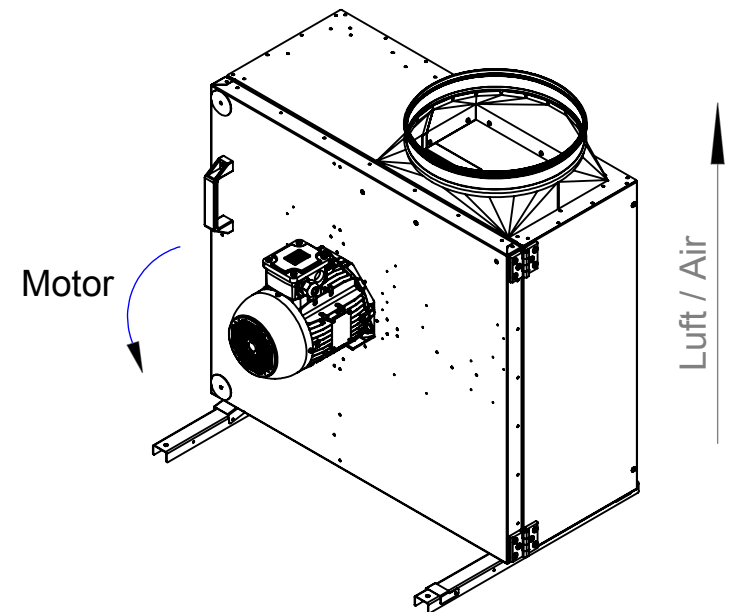
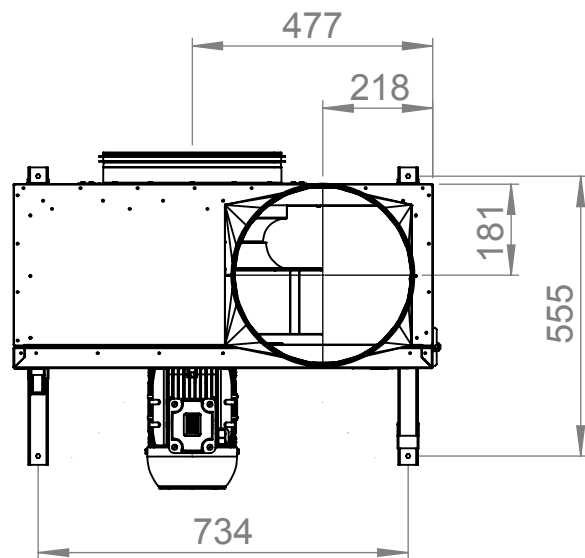
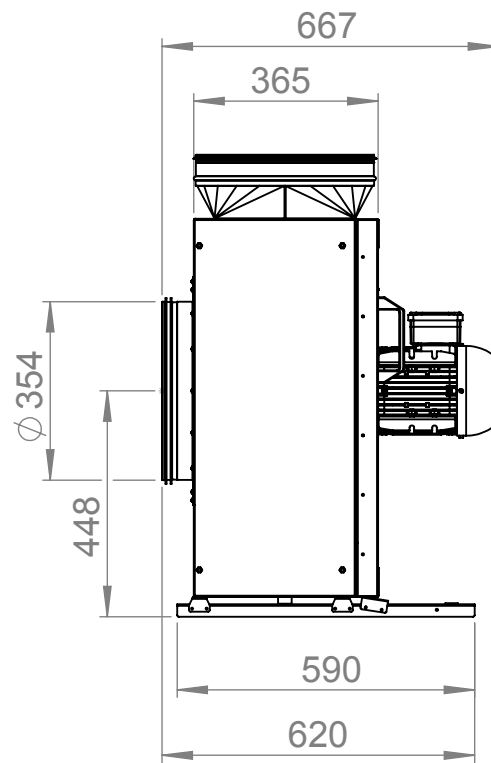
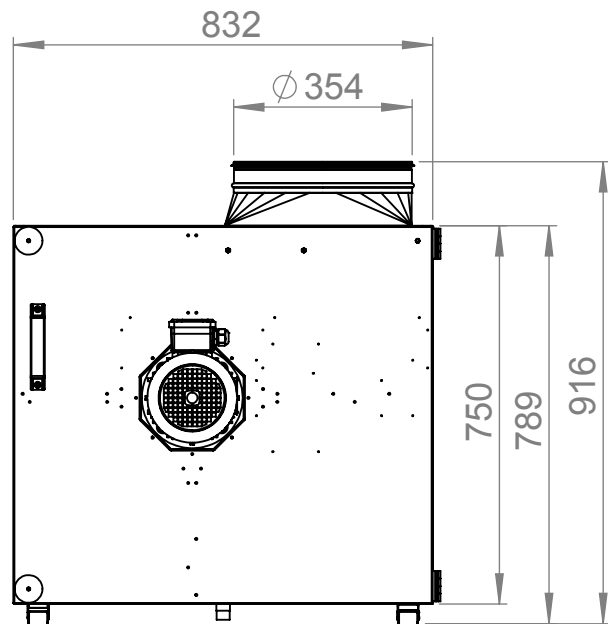


- 200 °C continuous operation and 400 °C / 120 min.
- Motor outside of air stream
- Speed controllable
- Galvanized sheet steel double wall casing
- Swing-out fan unit
- With condensate and grease drain
- Certified according to EN 12101-3:2015 with Certificate 1404-CPR-3070
- Star-Delta operation possible
- Star: direct 400V 3~ grid or frequency converter with 400V output
- Delta: direct 230V 3~ grid or frequency converter with 230V 1~ input and 230V 3~ output
- Frequency converter with Fire-Mode function (optional)

Operating Point		1	2	3	4	5
Current I	A	1,6	1,9	2,3	2,4	2,2
Power consumption P _i	W	507	855	1175	1268	1131
Rotation speed n	1/min	1624	1619	1605	1603	1608
SWL inlet L _{WA5}	dB(A)	84	82	82	85	86
SWL outlet L _{WA6}	dB(A)	84	83	82	86	87
SWL housing break out L _{WA2}	dB(A)	73	73	74	77	80

Sound power (L _W) dB(A)		Medium Frequency Band								
		Σ	63	125	250	500	1k	2k	4k	8k
Inlet	L _{WA5}	82	50	67	77	76	74	73	71	63
Outlet	L _{WA6}	82	58	67	78	73	76	75	71	64
Housing radiation	L _{WA2}	74	51	64	73	61	60	57	52	46

MPS 450 D4 F4 30 145867	
Voltage U _N	400 V 3~
Current I _{max}	2,5 A
Ambient temperature t _A	50 °C
Conveyed medium temperature t _M	200 °C
Speed Control	f
Motor protection	-
Insulation class motor	F
Weight	74,9 kg
Number of poles	4
IP motor	IP55
IP terminal box	-
IP complete unit	-
Min. operating temperature	-20 °C



ruck^{eu}
VENTILATOREN
ruck Ventilatoren
Max-Planck-Str. 5
D-97944 Boxberg



1:15 A4 mm

Protection Mark
according to ISO16016

General tolerances
DIN ISO 2768-c

MPS450D4F430

Created s.pop

11.04.2018

Drawn s.pop

11.04.2018

Released v.brand

23.09.2019

Disabled

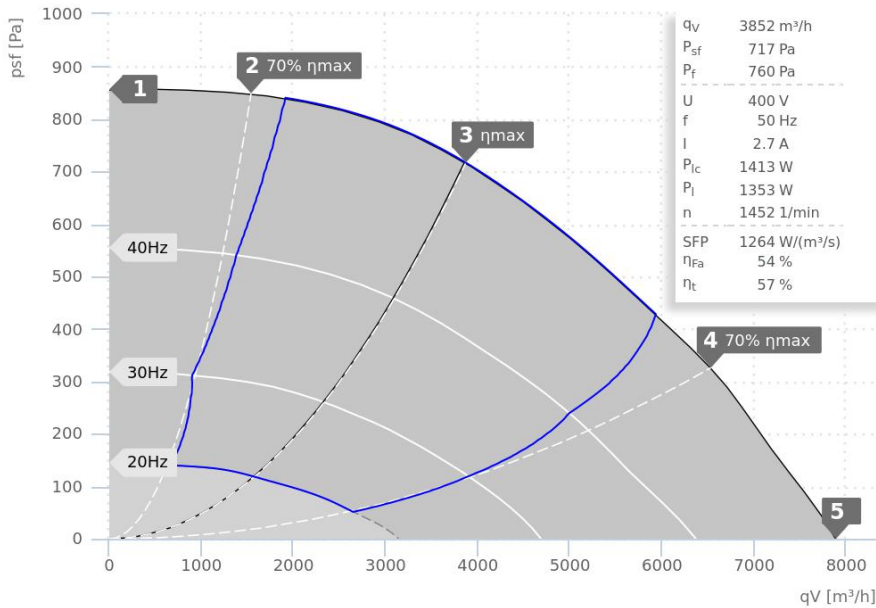
145867 00

VENTAS
VENTILATOREN

DATA SHEET

ruck.eu
VENTILATOREN

MPS 500 D4 F4 30 | 145876



— ErP compliant range

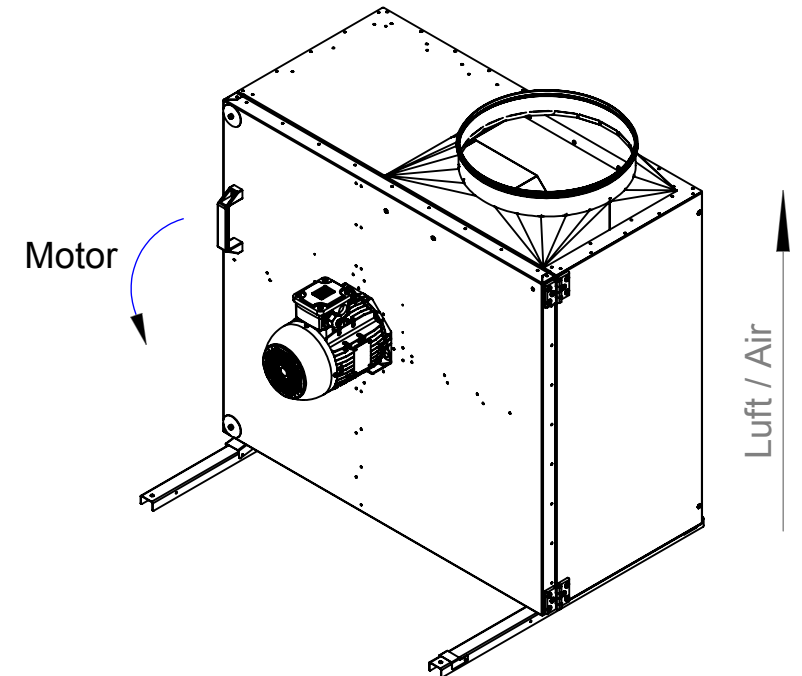
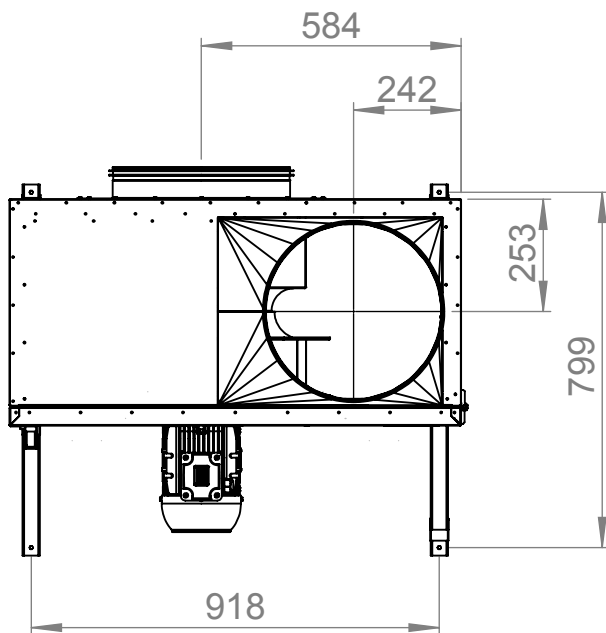
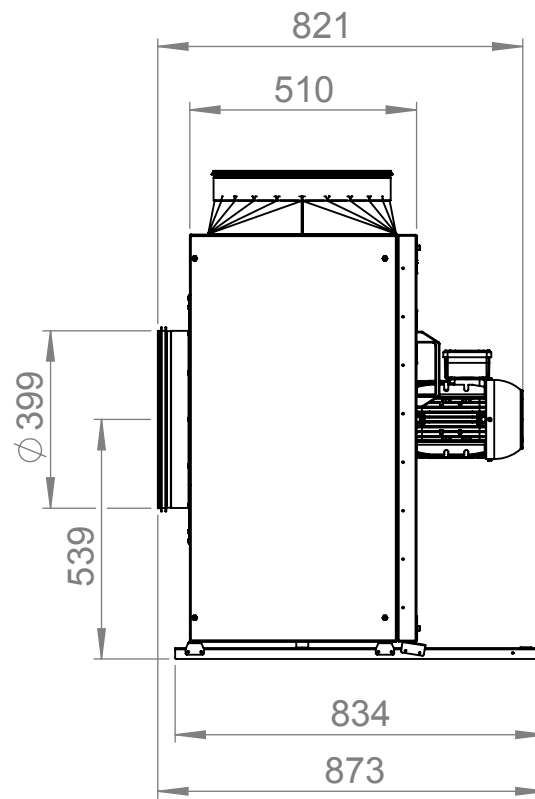
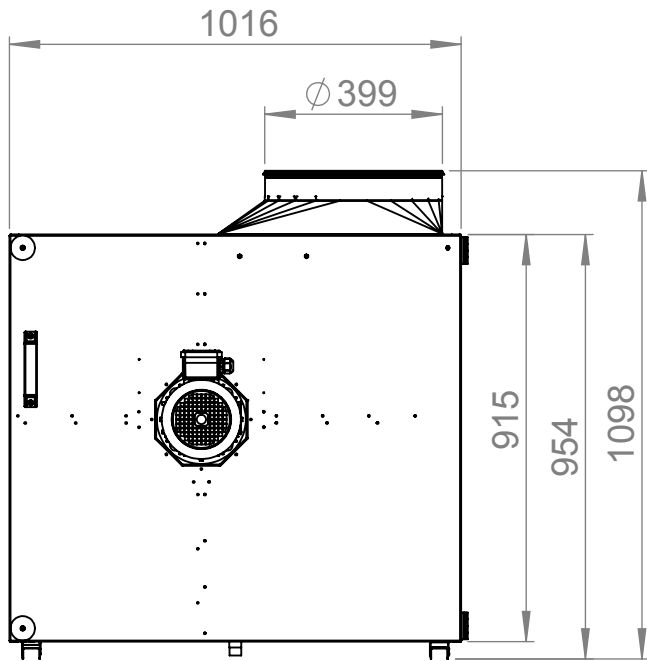


- 200 °C continuous operation and 400 °C / 120 min.
- Motor outside of air stream
- Speed controllable
- Galvanized sheet steel double wall casing
- Swing-out fan unit
- With condensate and grease drain
- Certified according to EN 12101-3:2015 with Certificate 1404-CPR-3070
- Star-Delta operation possible
- Star: direct 400V 3~ grid or frequency converter with 400V output
- Delta: direct 230V 3~ grid or frequency converter with 230V 1~ input and 230V 3~ output
- Frequency converter with Fire-Mode function (optional)

Operating Point		1	2	3	4	5
Current I	A	1,8	2,1	2,7	2,8	2,6
Power consumption P _i	W	525	919	1359	1482	1315
Rotation speed n	1/min	1475	1470	1453	1452	1458
SWL inlet L _{WA5}	dB(A)	81	82	83	85	86
SWL outlet L _{WA6}	dB(A)	84	84	83	84	86
SWL housing break out L _{WA2}	dB(A)	72	72	72	75	77

Sound power (L _W) dB(A)		Medium Frequency Band								
		Σ	63	125	250	500	1k	2k	4k	8k
Inlet	L _{WA5}	83	54	74	75	75	77	77	73	64
Outlet	L _{WA6}	83	54	70	70	74	80	77	73	63
Housing radiation	L _{WA2}	72	51	68	66	60	63	60	56	47

MPS 500 D4 F4 30 145876	
Voltage U _N	400 V 3~
Current I _{max}	3,0 A
Ambient temperature t _A	50 °C
Conveyed medium temperature t _M	200 °C
Speed Control	f
Motor protection	-
Insulation class motor	F
Weight	112,7 kg
Number of poles	4
IP motor	IP55
IP terminal box	-
IP complete unit	-
Min. operating temperature	-20 °C



ruck^{eu}
 VENTILATOREN
 ruck Ventilatoren
 Max-Planck-Str. 5
 D-97944 Boxberg



Protection Mark
 according to ISO16016

Created s.pop
 Drawn s.pop
 Released v.brand
 Disabled

1:17 A4 mm

General tolerances
 DIN ISO 2768-c

11.04.2018
 11.04.2018
 23.09.2019

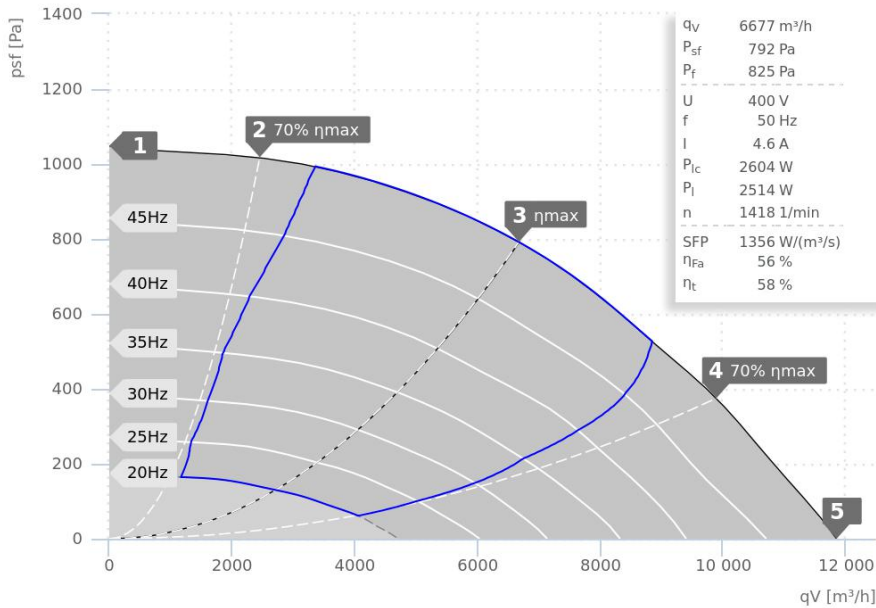
MPS500D4F430

145876 00

VENTAS
 VENTILATORER

DATA SHEET

MPS 560 D4 F4 30 | 145903



— ErP compliant range

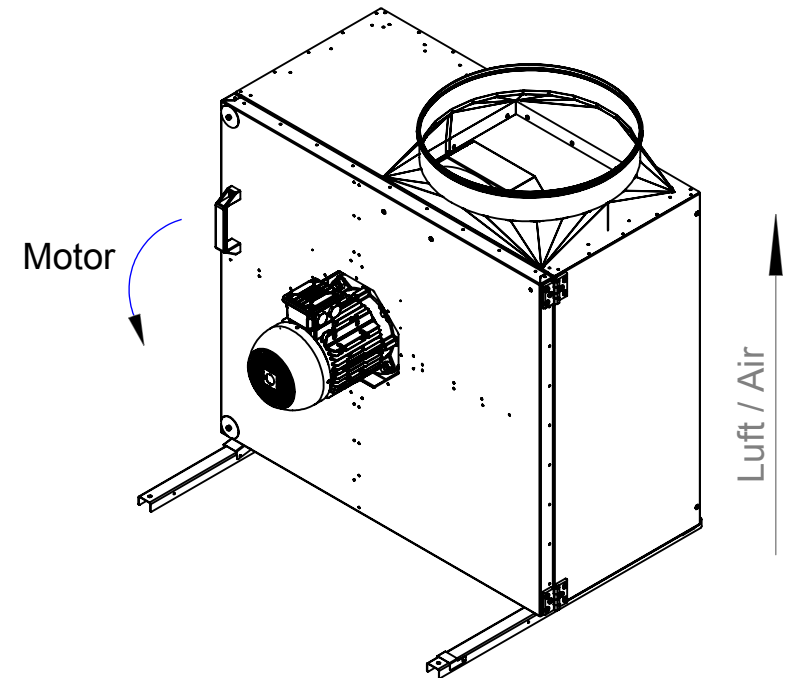
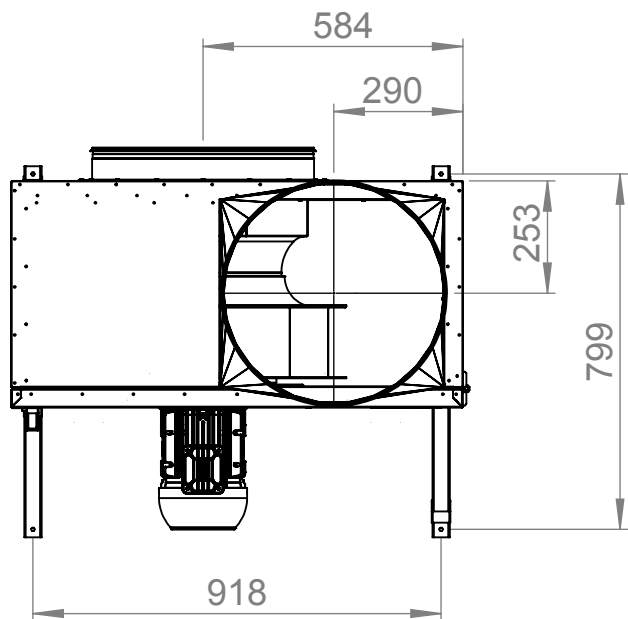
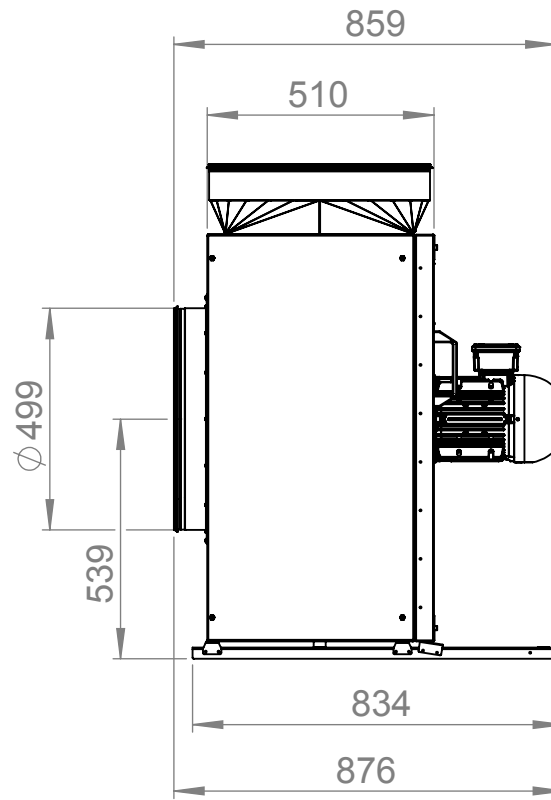
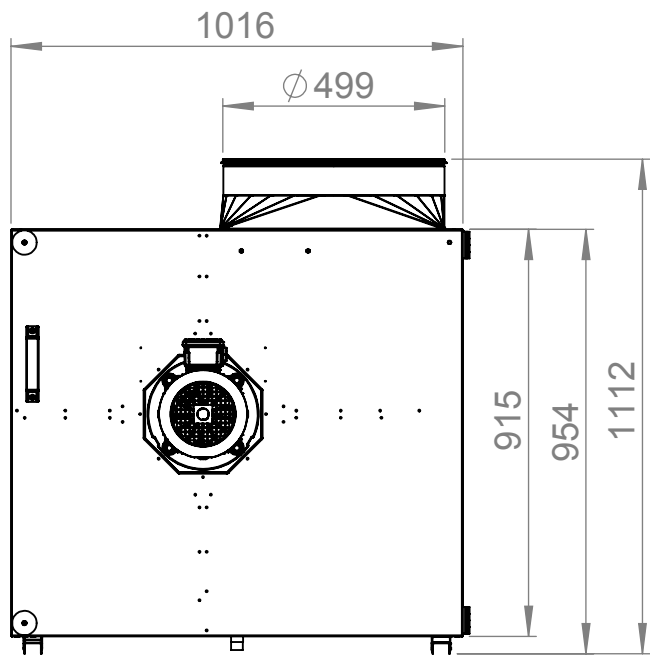


- 200 °C continuous operation and 400 °C / 120 min.
- Motor outside of air stream
- Speed controllable
- Galvanized sheet steel double wall casing
- Swing-out fan unit
- With condensate and grease drain
- Certified according to EN 12101-3:2015 with Certificate 1404-CPR-3070
- Star-Delta operation possible
- Star: direct 400V 3~ grid or frequency converter with 400V output
- Delta: direct 230V 3~ grid or frequency converter with 230V 1~ input and 230V 3~ output
- Frequency converter with Fire-Mode function (optional)

Operating Point		1	2	3	4	5
Current I	A	2,7	3,5	4,6	4,6	4,0
Power consumption P _i	W	979	1702	2517	2506	2076
Rotation speed n	1/min	1465	1447	1419	1423	1436
SWL inlet L _{WA5}	dB(A)	87	85	87	89	90
SWL outlet L _{WA6}	dB(A)	87	86	86	89	91
SWL housing break out L _{WA2}	dB(A)	76	75	76	78	80

Sound power (L _W) dB(A)		Medium Frequency Band								
		Σ	63	125	250	500	1k	2k	4k	8k
Inlet	L _{WA5}	87	54	77	76	78	82	80	75	69
Outlet	L _{WA6}	86	56	75	72	78	82	80	75	68
Housing radiation	L _{WA2}	76	52	73	66	65	66	63	59	54

MPS 560 D4 F4 30 145903	
Voltage U _N	400 V 3~
Current I _{max}	5,0 A
Ambient temperature t _A	50 °C
Conveyed medium temperature t _M	200 °C
Speed Control	f
Motor protection	-
Insulation class motor	F
Weight	115,0 kg
Number of poles	4
IP motor	IP55
IP terminal box	-
IP complete unit	-
Min. operating temperature	-20 °C



ruck^{eu}
VENTILATOREN
ruck Ventilatoren
Max-Planck-Str. 5
D-97944 Boxberg



Protection Mark
according to ISO16016

Created s.pop
Drawn s.pop
Released v.brand
Disabled

1:17 A4 mm

General tolerances
DIN ISO 2768-c

MPS560D4F430

145903 00

VENTAS
VENTILATOREN