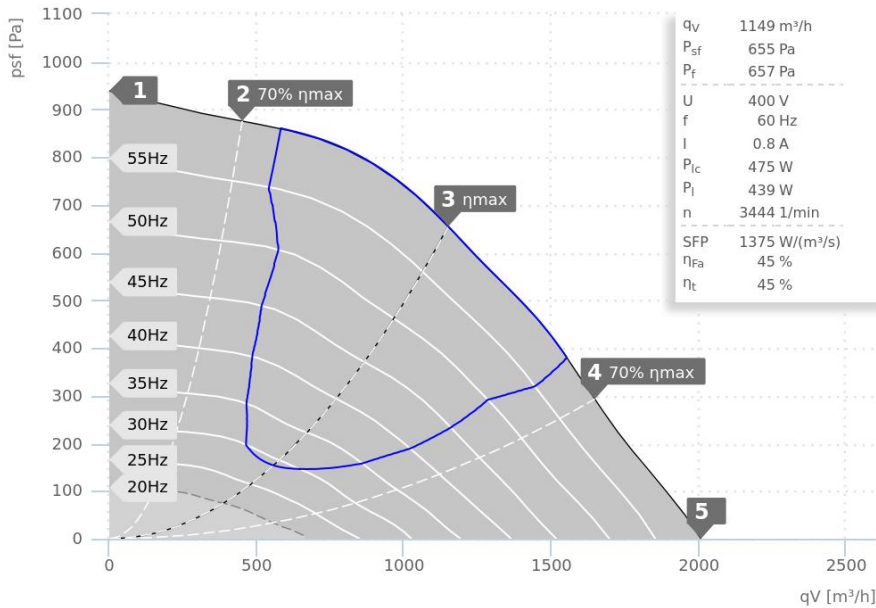


DATA SHEET

ruck.eu
VENTILATOREN

MPC 225 D2 F4 T30 | 146426



— ErP compliant range

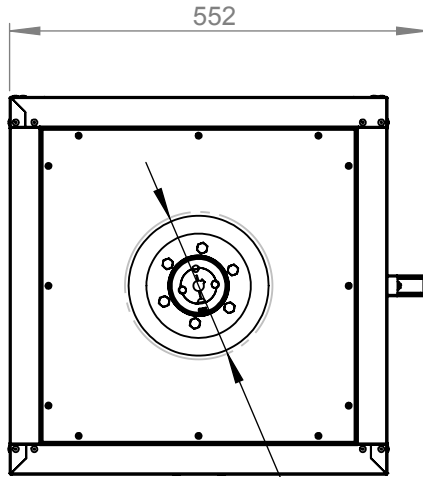
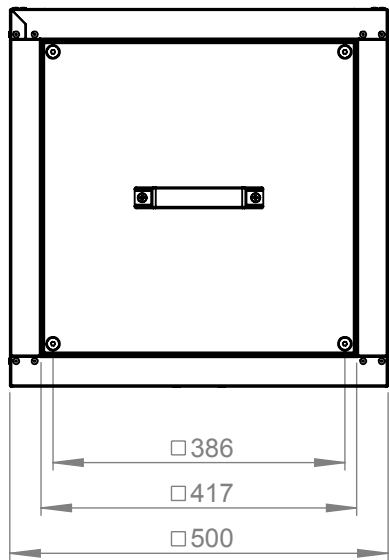


- 200 °C continuous operation and 400 °C / 120 min.
- Motor outside of air stream
- Speed controllable
- Galvanized sheet steel double wall casing
- Bottom pan with drain
- 30 mm insulation
- Certified according to EN 12101-3:2015 with Certificate 1404-CPR-3071
- Star-Delta operation possible
- Star: direct 400V 3~ grid or frequency converter with 400V output
- Delta: direct 230V 3~ grid or frequency converter with 230V 1~ input and 230V 3~ output
- Frequency converter with Fire-Mode function (optional)

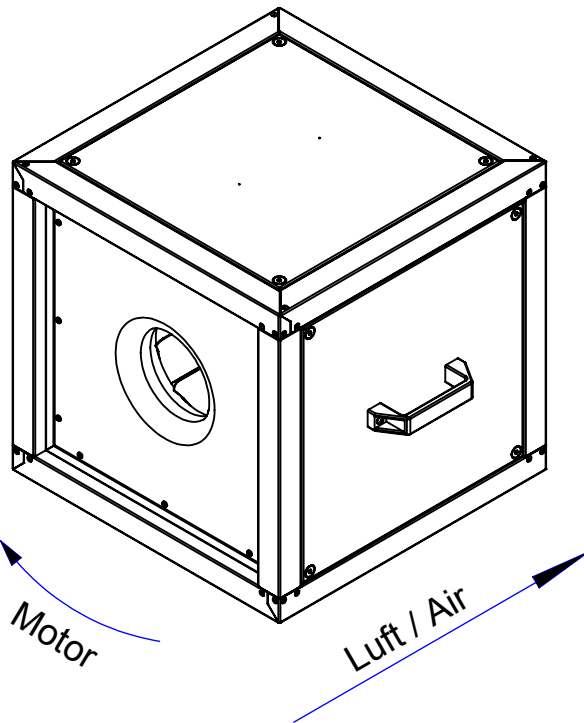
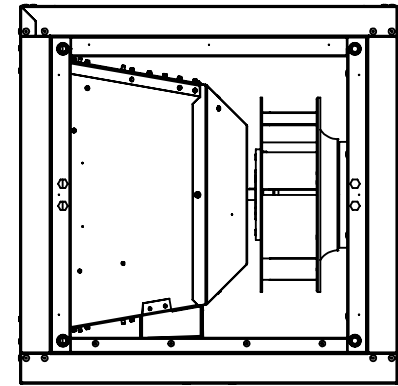
| Operating Point | | 1 | 2 | 3 | 4 | 5 |
|---------------------------------|-------|------|------|------|------|------|
| Current I | A | 0,6 | 0,7 | 0,8 | 0,8 | 0,7 |
| Power consumption P_1 | W | 230 | 336 | 439 | 400 | 347 |
| Rotation speed n | 1/min | 3521 | 3479 | 3446 | 3460 | 3488 |
| SWL inlet L_{WA5} | dB(A) | 81 | 80 | 80 | 84 | 85 |
| SWL outlet L_{WA6} | dB(A) | 83 | 82 | 83 | 87 | 88 |
| SWL housing break out L_{WA2} | dB(A) | 75 | 74 | 73 | 74 | 75 |

| Sound power (L_W) dB(A) | | Medium Frequency Band | | | | | | | | |
|-----------------------------|-----------|-----------------------|----|-----|-----|-----|----|----|----|----|
| | | Σ | 63 | 125 | 250 | 500 | 1k | 2k | 4k | 8k |
| Inlet | L_{WA5} | 80 | 52 | 63 | 67 | 73 | 77 | 73 | 70 | 63 |
| Outlet | L_{WA6} | 83 | 47 | 66 | 70 | 77 | 78 | 78 | 71 | 63 |
| Housing radiation | L_{WA2} | 73 | 49 | 61 | 58 | 65 | 68 | 69 | 63 | 56 |

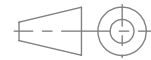
| MPC 225 D2 F4 T30 146426 | |
|-----------------------------------|----------|
| Voltage U_N | 400 V 3~ |
| Current I_{max} | 0,9 A |
| Ambient temperature t_A | 60 °C |
| Conveyed medium temperature t_M | 200 °C |
| Speed Control | f |
| Motor protection | - |
| Insulation class motor | F |
| Weight | 35,0 kg |
| Number of poles | 2 |
| IP motor | IP55 |
| IP terminal box | - |
| IP complete unit | - |
| Min. operating temperature | -20 °C |



Anschlussmaß innen
min. \varnothing 195
Connection size inside
min. \varnothing 195



ruck^{eu}
VENTILATOREN
ruck Ventilatoren
Max-Planck-Str. 5
D-97944 Boxberg



Protection Mark
according to ISO16016
Created s.pop
Drawn s.pop
Released d.hancu
Disabled

1:10 A4 mm

General tolerances
DIN ISO 2768-c

MPC225D2F4T30

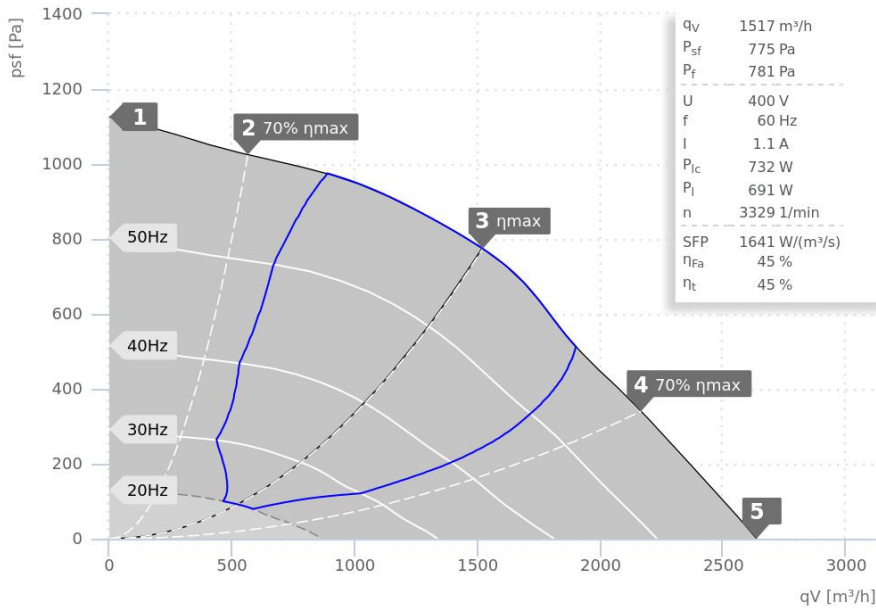
146426 00

VENTAS
VENTILATOREN

DATA SHEET

ruck.eu
VENTILATOREN

MPC 250 D2 F4 T30 | 146434



— ErP compliant range

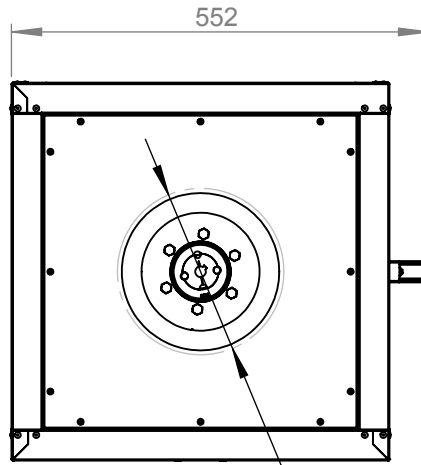
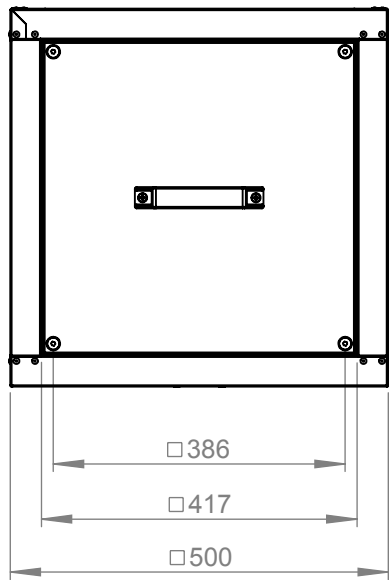


- 200 °C continuous operation and 400 °C / 120 min.
- Motor outside of air stream
- Speed controllable
- Galvanized sheet steel double wall casing
- Bottom pan with drain
- 30 mm insulation
- Certified according to EN 12101-3:2015 with Certificate 1404-CPR-3071
- Star-Delta operation possible
- Star: direct 400V 3~ grid or frequency converter with 400V output
- Delta: direct 230V 3~ grid or frequency converter with 230V 1~ input and 230V 3~ output
- Frequency converter with Fire-Mode function (optional)

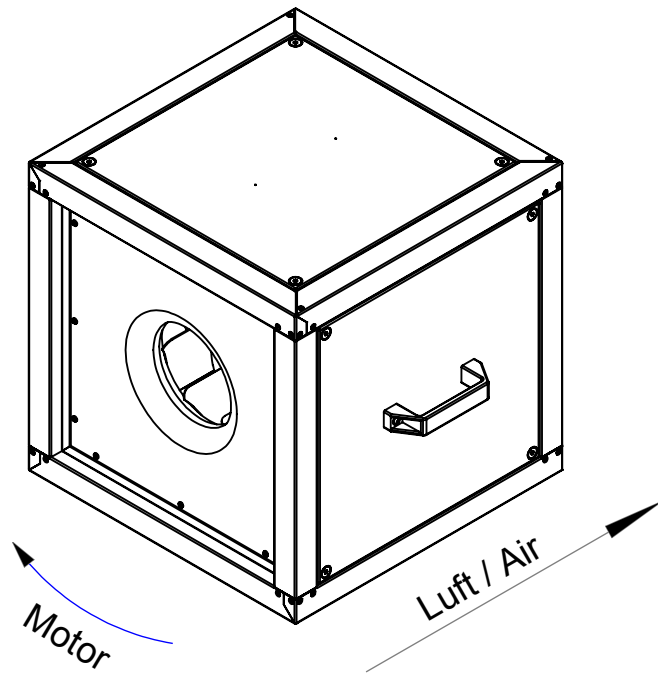
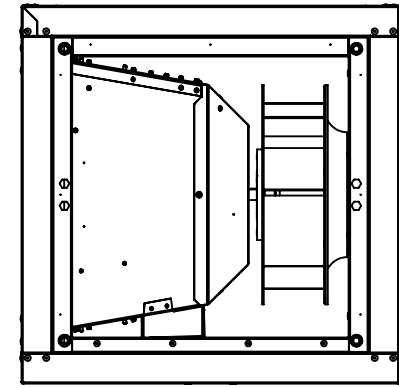
| Operating Point | | 1 | 2 | 3 | 4 | 5 |
|--|-------|------|------|------|------|------|
| Current I | A | 0,6 | 0,9 | 1,1 | 1,0 | 0,9 |
| Power consumption P _i | W | 308 | 505 | 692 | 612 | 505 |
| Rotation speed n | 1/min | 3485 | 3401 | 3329 | 3370 | 3422 |
| SWL inlet L _{WA5} | dB(A) | 82 | 81 | 82 | 87 | 88 |
| SWL outlet L _{WA6} | dB(A) | 85 | 84 | 84 | 88 | 89 |
| SWL housing break out L _{WA2} | dB(A) | 76 | 75 | 73 | 74 | 75 |

| Sound power (L _W) dB(A) | | Medium Frequency Band | | | | | | | | |
|-------------------------------------|------------------|-----------------------|----|-----|-----|-----|----|----|----|----|
| | | Σ | 63 | 125 | 250 | 500 | 1k | 2k | 4k | 8k |
| Inlet | L _{WA5} | 82 | 51 | 64 | 69 | 76 | 78 | 73 | 69 | 62 |
| Outlet | L _{WA6} | 84 | 52 | 68 | 73 | 79 | 79 | 78 | 71 | 63 |
| Housing radiation | L _{WA2} | 73 | 56 | 62 | 59 | 65 | 68 | 68 | 63 | 56 |

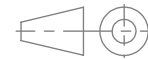
| MPC 250 D2 F4 T30 146434 | |
|--|----------|
| Voltage U _N | 400 V 3~ |
| Current I _{max} | 1,2 A |
| Ambient temperature t _A | 60 °C |
| Conveyed medium temperature t _M | 200 °C |
| Speed Control | f |
| Motor protection | - |
| Insulation class motor | F |
| Weight | 35,0 kg |
| Number of poles | 2 |
| IP motor | IP55 |
| IP terminal box | - |
| IP complete unit | - |
| Min. operating temperature | -20 °C |



Anschlussmaß innen
min. $\varnothing 220$
Connection size inside
min. $\varnothing 220$



ruck^{eu}
VENTILATOREN
ruck Ventilatoren
Max-Planck-Str. 5
D-97944 Boxberg



Protection Mark
according to ISO16016
Created s.pop
Drawn s.pop
Released d.hancu
Disabled

1:10 A4 mm

General tolerances
DIN ISO 2768-c

MPC250D2F4T30

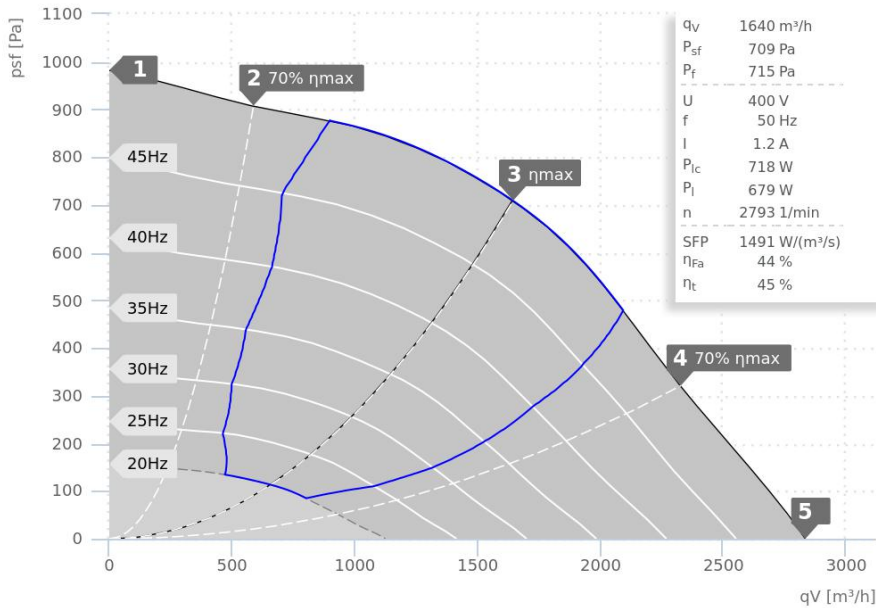
146434 00

VENTAS
VENTILATOREN

DATA SHEET

ruck.eu
VENTILATOREN

MPC 280 D2 F4 T30 | 146443



— ErP compliant range

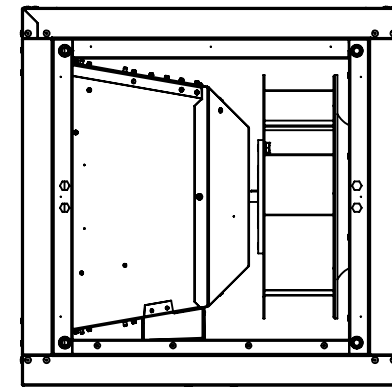
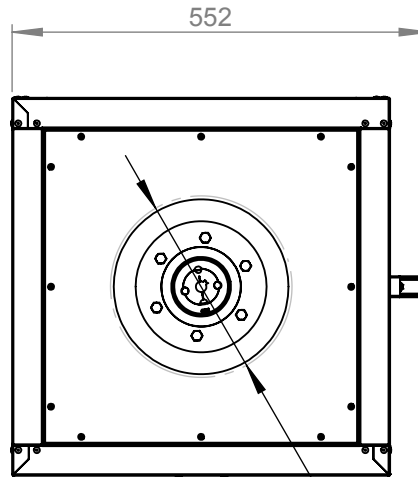
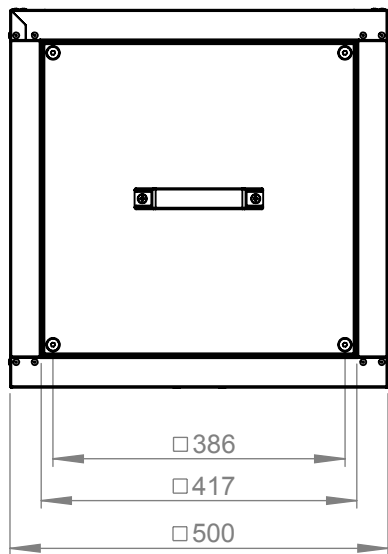


- 200 °C continuous operation and 400 °C / 120 min.
- Motor outside of air stream
- Speed controllable
- Galvanized sheet steel double wall casing
- Bottom pan with drain
- 30 mm insulation
- Certified according to EN 12101-3:2015 with Certificate 1404-CPR-3071
- Star-Delta operation possible
- Star: direct 400V 3~ grid or frequency converter with 400V output
- Delta: direct 230V 3~ grid or frequency converter with 230V 1~ input and 230V 3~ output
- Frequency converter with Fire-Mode function (optional)

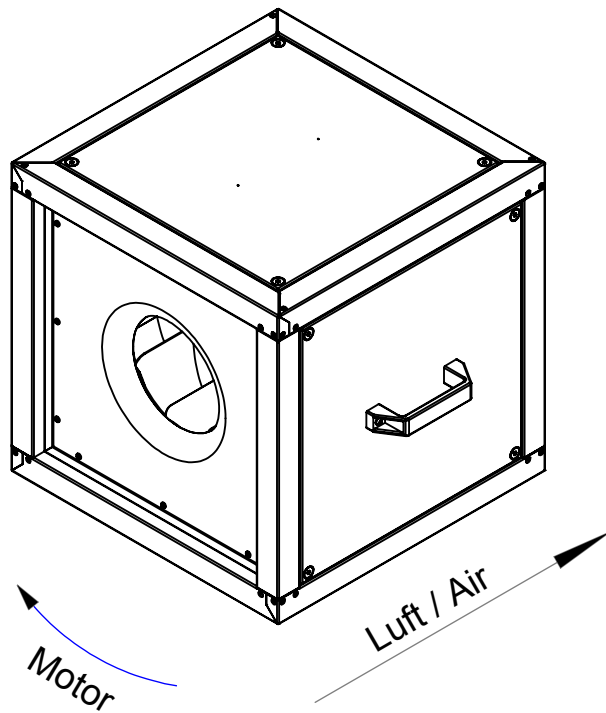
| Operating Point | | 1 | 2 | 3 | 4 | 5 |
|---------------------------------|-------|------|------|------|------|------|
| Current I | A | 0,8 | 0,9 | 1,2 | 1,1 | 1,0 |
| Power consumption P_i | W | 295 | 453 | 681 | 619 | 534 |
| Rotation speed n | 1/min | 2916 | 2865 | 2794 | 2821 | 2856 |
| SWL inlet L_{WA5} | dB(A) | 82 | 81 | 82 | 86 | 88 |
| SWL outlet L_{WA6} | dB(A) | 84 | 84 | 85 | 89 | 91 |
| SWL housing break out L_{WA2} | dB(A) | 74 | 74 | 73 | 74 | 77 |

| Sound power (L_W) dB(A) | | Medium Frequency Band | | | | | | | | |
|-----------------------------|-----------|-----------------------|----|-----|-----|-----|----|----|----|----|
| | | Σ | 63 | 125 | 250 | 500 | 1k | 2k | 4k | 8k |
| Inlet | L_{WA5} | 82 | 50 | 66 | 73 | 77 | 74 | 74 | 70 | 68 |
| Outlet | L_{WA6} | 85 | 54 | 68 | 77 | 78 | 80 | 78 | 70 | 65 |
| Housing radiation | L_{WA2} | 73 | 51 | 62 | 65 | 62 | 69 | 65 | 60 | 54 |

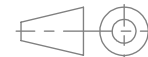
| MPC 280 D2 F4 T30 146443 | |
|-----------------------------------|----------|
| Voltage U_N | 400 V 3~ |
| Current I_{max} | 1,3 A |
| Ambient temperature t_A | 60 °C |
| Conveyed medium temperature t_M | 200 °C |
| Speed Control | f |
| Motor protection | - |
| Insulation class motor | F |
| Weight | 36,0 kg |
| Number of poles | 2 |
| IP motor | IP55 |
| IP terminal box | - |
| IP complete unit | - |
| Min. operating temperature | -20 °C |



Anschlussmaß innen
min. \varnothing 240
Connection size inside
min. \varnothing 240



ruck^{eu}
VENTILATOREN
ruck Ventilatoren
Max-Planck-Str. 5
D-97944 Boxberg



Protection Mark
according to ISO16016

Created s.pop
Drawn s.pop
Released d.hancu
Disabled

1:10 A4 mm

General tolerances
DIN ISO 2768-c

MPC280D2F4T30

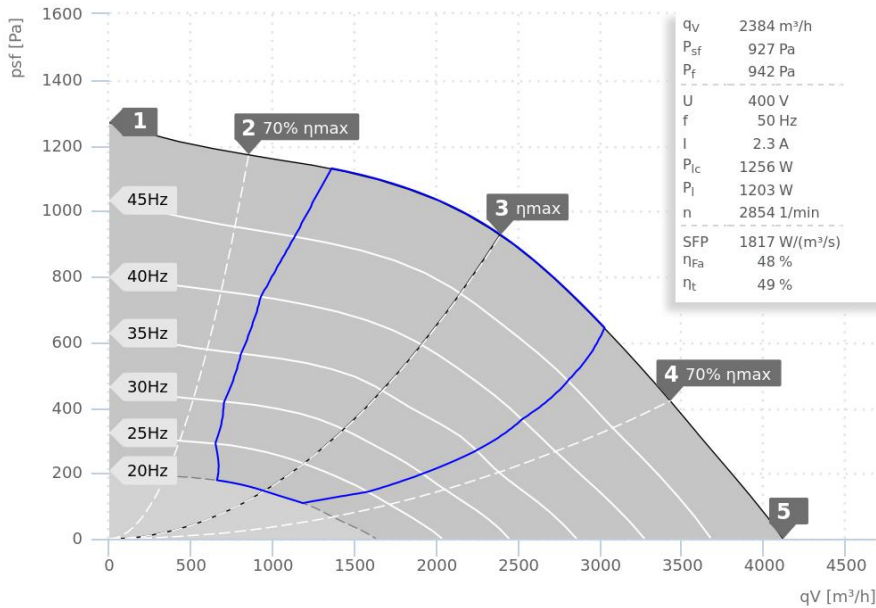
146443 00

VENTAS
VENTILATOREN

DATA SHEET

ruck.eu
VENTILATOREN

MPC 315 D2 F4 T30 | 146446



— ErP compliant range

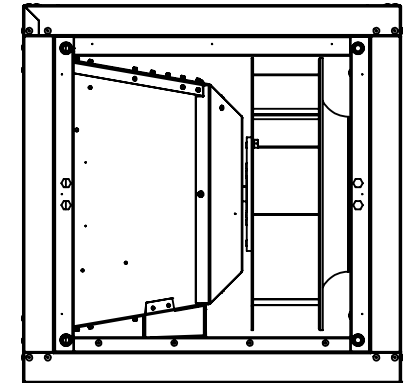
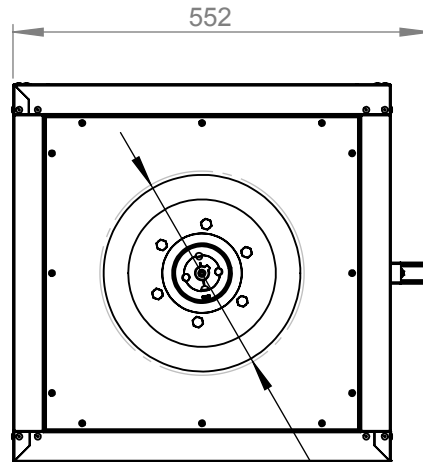
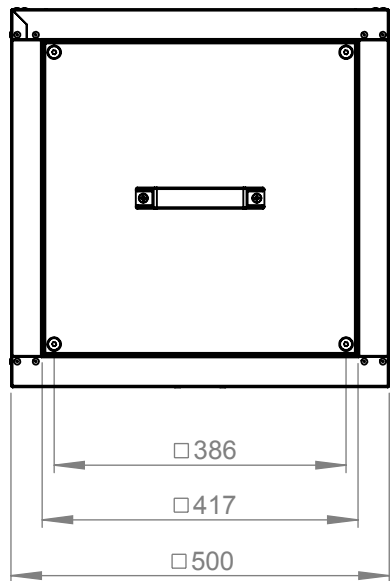


- 200 °C continuous operation and 400 °C / 120 min.
- Motor outside of air stream
- Speed controllable
- Galvanized sheet steel double wall casing
- Bottom pan with drain
- 30 mm insulation
- Certified according to EN 12101-3:2015 with Certificate 1404-CPR-3071
- Star-Delta operation possible
- Star: direct 400V 3~ grid or frequency converter with 400V output
- Delta: direct 230V 3~ grid or frequency converter with 230V 1~ input and 230V 3~ output
- Frequency converter with Fire-Mode function (optional)

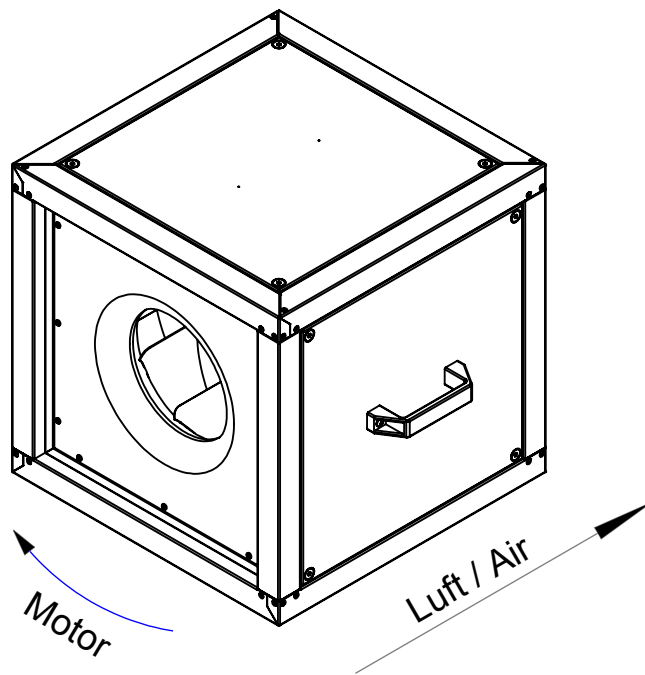
| Operating Point | | 1 | 2 | 3 | 4 | 5 |
|--|-------|------|------|------|------|------|
| Current I | A | 1,6 | 1,9 | 2,3 | 2,2 | 2,0 |
| Power consumption P _i | W | 470 | 790 | 1206 | 1117 | 939 |
| Rotation speed n | 1/min | 2945 | 2907 | 2856 | 2872 | 2900 |
| SWL inlet L _{WA5} | dB(A) | 86 | 85 | 85 | 89 | 90 |
| SWL outlet L _{WA6} | dB(A) | 89 | 88 | 88 | 92 | 93 |
| SWL housing break out L _{WA2} | dB(A) | 77 | 76 | 75 | 78 | 79 |

| Sound power (L _W) dB(A) | | Medium Frequency Band | | | | | | | | |
|-------------------------------------|------------------|-----------------------|----|-----|-----|-----|----|----|----|----|
| | | Σ | 63 | 125 | 250 | 500 | 1k | 2k | 4k | 8k |
| Inlet | L _{WA5} | 85 | 51 | 67 | 77 | 80 | 78 | 78 | 75 | 71 |
| Outlet | L _{WA6} | 88 | 56 | 66 | 82 | 81 | 83 | 82 | 78 | 73 |
| Housing radiation | L _{WA2} | 75 | 55 | 63 | 69 | 66 | 68 | 68 | 64 | 58 |

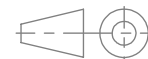
| MPC 315 D2 F4 T30 146446 | |
|--|----------|
| Voltage U _N | 400 V 3~ |
| Current I _{max} | 2,5 A |
| Ambient temperature t _A | 60 °C |
| Conveyed medium temperature t _M | 200 °C |
| Speed Control | f |
| Motor protection | - |
| Insulation class motor | F |
| Weight | 41,0 kg |
| Number of poles | 2 |
| IP motor | IP55 |
| IP terminal box | - |
| IP complete unit | - |
| Min. operating temperature | -20 °C |



Anschlussmaß innen
min. $\varnothing 270$
Connection size inside
min: $\varnothing 270$



ruck^{eu}
VENTILATOREN
ruck Ventilatoren
Max-Planck-Str. 5
D-97944 Boxberg



Protection Mark
according to ISO16016
Created s.pop
Drawn s.pop
Released d.hancu
Disabled

1:10 A4 mm

General tolerances
DIN ISO 2768-c

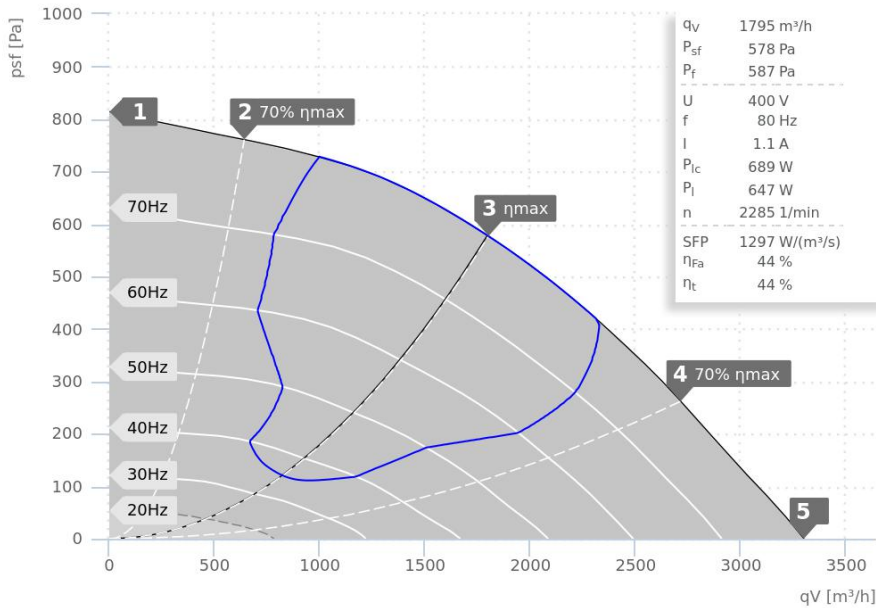
MPC315D2F4T30

146446 00

VENTAS
VENTILATORER

DATA SHEET

MPC 315 D4 F4 T30 | 146453



— ErP compliant range

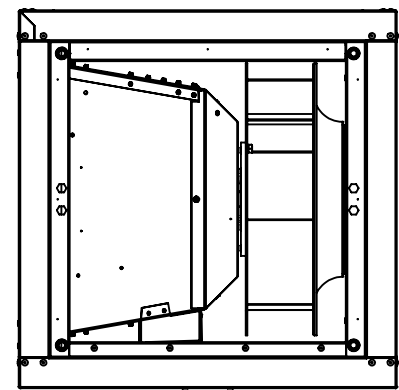
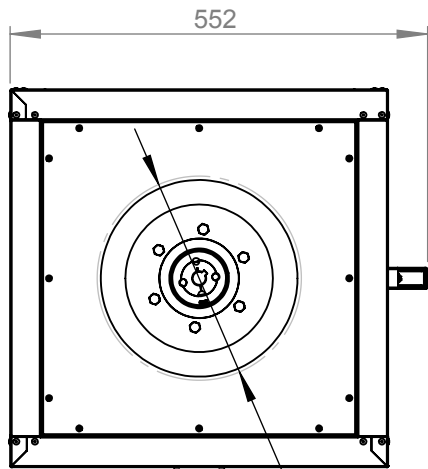
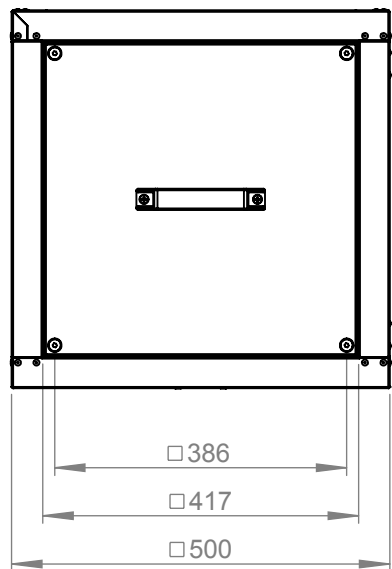


- 200 °C continuous operation and 400 °C / 120 min.
- Motor outside of air stream
- Speed controllable
- Galvanized sheet steel double wall casing
- Bottom pan with drain
- 30 mm insulation
- Certified according to EN 12101-3:2015 with Certificate 1404-CPR-3071
- Star-Delta operation possible
- Star: direct 400V 3~ grid or frequency converter with 400V output
- Delta: direct 230V 3~ grid or frequency converter with 230V 1~ input and 230V 3~ output
- Frequency converter with Fire-Mode function (optional)

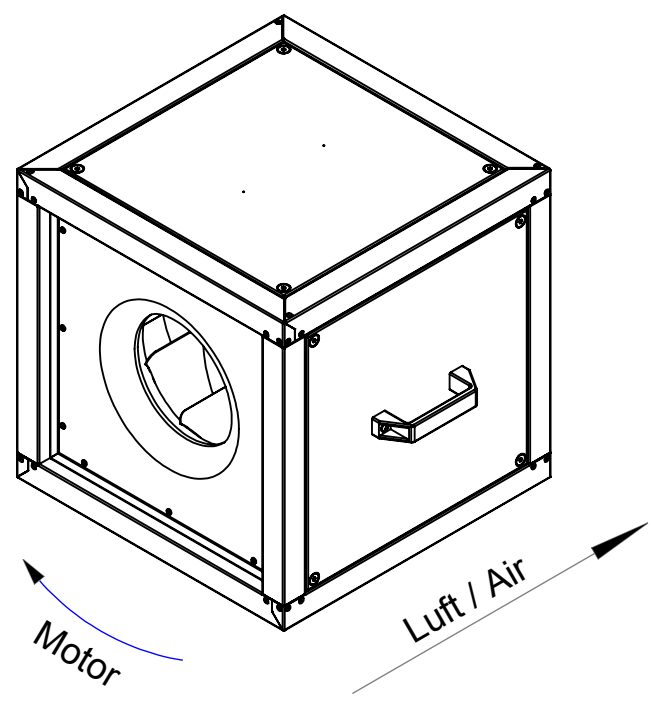
| Operating Point | | 1 | 2 | 3 | 4 | 5 |
|---------------------------------|-------|------|------|------|------|------|
| Current I | A | 0,5 | 0,8 | 1,1 | 1,0 | 0,9 |
| Power consumption P_1 | W | 266 | 438 | 647 | 627 | 517 |
| Rotation speed n | 1/min | 2352 | 2326 | 2285 | 2292 | 2316 |
| SWL inlet L_{WA5} | dB(A) | 79 | 79 | 78 | 82 | 83 |
| SWL outlet L_{WA6} | dB(A) | 82 | 82 | 81 | 85 | 86 |
| SWL housing break out L_{WA2} | dB(A) | 69 | 69 | 68 | 69 | 70 |

| Sound power (L_W) dB(A) | | Medium Frequency Band | | | | | | | | |
|-----------------------------|-----------|-----------------------|----|-----|-----|-----|----|----|----|----|
| | | Σ | 63 | 125 | 250 | 500 | 1k | 2k | 4k | 8k |
| Inlet | L_{WA5} | 78 | 48 | 59 | 70 | 73 | 70 | 71 | 68 | 64 |
| Outlet | L_{WA6} | 81 | 48 | 60 | 74 | 74 | 76 | 75 | 70 | 64 |
| Housing radiation | L_{WA2} | 68 | 51 | 58 | 59 | 60 | 58 | 64 | 54 | 49 |

| MPC 315 D4 F4 T30 146453 | |
|-----------------------------------|----------|
| Voltage U_N | 400 V 3~ |
| Current I_{max} | 1,1 A |
| Ambient temperature t_A | 60 °C |
| Conveyed medium temperature t_M | 200 °C |
| Speed Control | f |
| Motor protection | - |
| Insulation class motor | F |
| Weight | 40,0 kg |
| Number of poles | 4 |
| IP motor | IP55 |
| IP terminal box | - |
| IP complete unit | - |
| Min. operating temperature | -20 °C |



Anschlussmaß innen
min. $\varnothing 270$
Connection size inside
min. $\varnothing 270$



ruck^{eu}
VENTILATOREN
ruck Ventilatoren
Max-Planck-Str. 5
D-97944 Boxberg

Protection Mark
according to ISO16016
Created s.pop
Drawn s.pop
Released d.hancu
Disabled

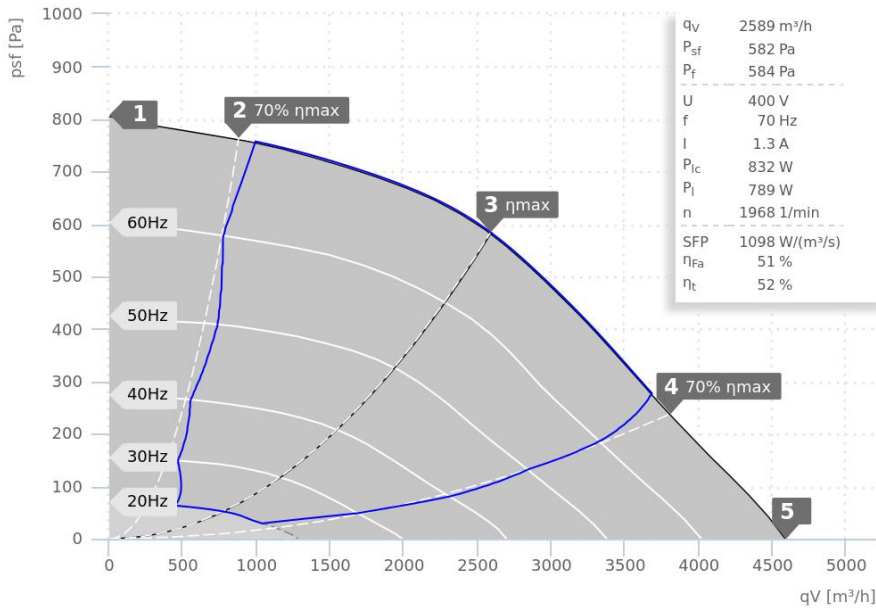
1:10 A4 mm
General tolerances
DIN ISO 2768-c
25.05.2018
25.05.2018
24.04.2019

MPC315D4F4T30
146453 00



DATA SHEET

MPC 355 D4 F4 T30 | 146465



— ErP compliant range

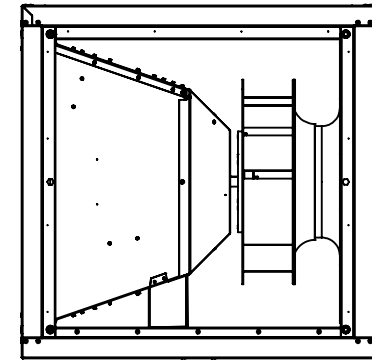
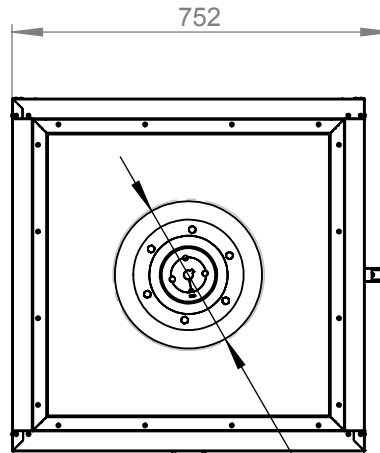
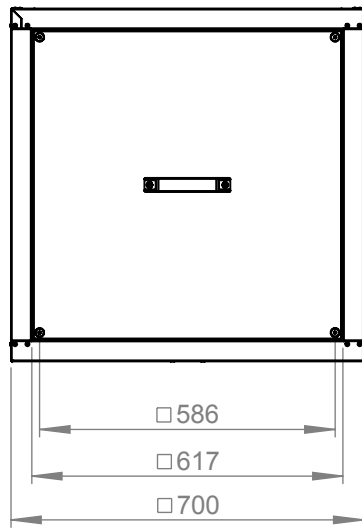


- 200 °C continuous operation and 400 °C / 120 min.
- Motor outside of air stream
- Speed controllable
- Galvanized sheet steel double wall casing
- Bottom pan with drain
- 30 mm insulation
- Certified according to EN 12101-3:2015 with Certificate 1404-CPR-3071
- Star-Delta operation possible
- Star: direct 400V 3~ grid or frequency converter with 400V output
- Delta: direct 230V 3~ grid or frequency converter with 230V 1~ input and 230V 3~ output
- Frequency converter with Fire-Mode function (optional)

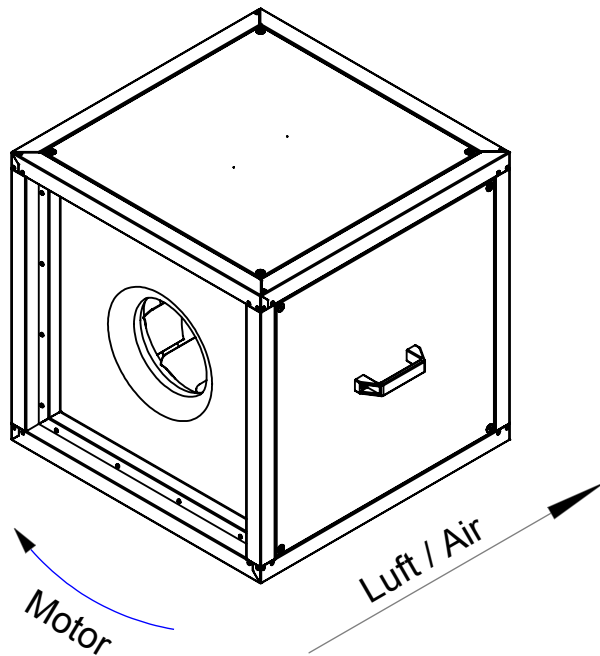
| Operating Point | | 1 | 2 | 3 | 4 | 5 |
|---------------------------------|-------|------|------|------|------|------|
| Current I | A | 0,6 | 0,9 | 1,3 | 1,1 | 1,0 |
| Power consumption P_i | W | 306 | 511 | 794 | 672 | 571 |
| Rotation speed n | 1/min | 2052 | 2022 | 1972 | 2000 | 2018 |
| SWL inlet L_{WA5} | dB(A) | 79 | 79 | 79 | 83 | 86 |
| SWL outlet L_{WA6} | dB(A) | 84 | 83 | 84 | 86 | 89 |
| SWL housing break out L_{WA2} | dB(A) | 77 | 76 | 76 | 78 | 80 |

| Sound power (L_W) dB(A) | | Medium Frequency Band | | | | | | | | |
|-----------------------------|-----------|-----------------------|----|-----|-----|-----|----|----|----|----|
| | | Σ | 63 | 125 | 250 | 500 | 1k | 2k | 4k | 8k |
| Inlet | L_{WA5} | 79 | 43 | 56 | 69 | 76 | 70 | 71 | 68 | 63 |
| Outlet | L_{WA6} | 84 | 45 | 58 | 72 | 80 | 78 | 75 | 72 | 70 |
| Housing radiation | L_{WA2} | 76 | 43 | 54 | 57 | 76 | 64 | 65 | 56 | 53 |

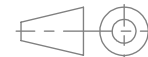
| MPC 355 D4 F4 T30 146465 | |
|-----------------------------------|----------|
| Voltage U_N | 400 V 3~ |
| Current I_{max} | 1,4 A |
| Ambient temperature t_A | 60 °C |
| Conveyed medium temperature t_M | 200 °C |
| Speed Control | f |
| Motor protection | - |
| Insulation class motor | F |
| Weight | 63,0 kg |
| Number of poles | 4 |
| IP motor | IP55 |
| IP terminal box | - |
| IP complete unit | - |
| Min. operating temperature | -20 °C |



Anschlussmaß innen
min. \varnothing 300
Connection size inside
min. \varnothing 300



ruck^{eu}
VENTILATOREN
ruck Ventilatoren
Max-Planck-Str. 5
D-97944 Boxberg



Protection Mark
according to ISO16016

Created s.pop
Drawn s.pop
Released d.hancu
Disabled

1:15 A4 mm

General tolerances
DIN ISO 2768-c

MPC355D4F4T30

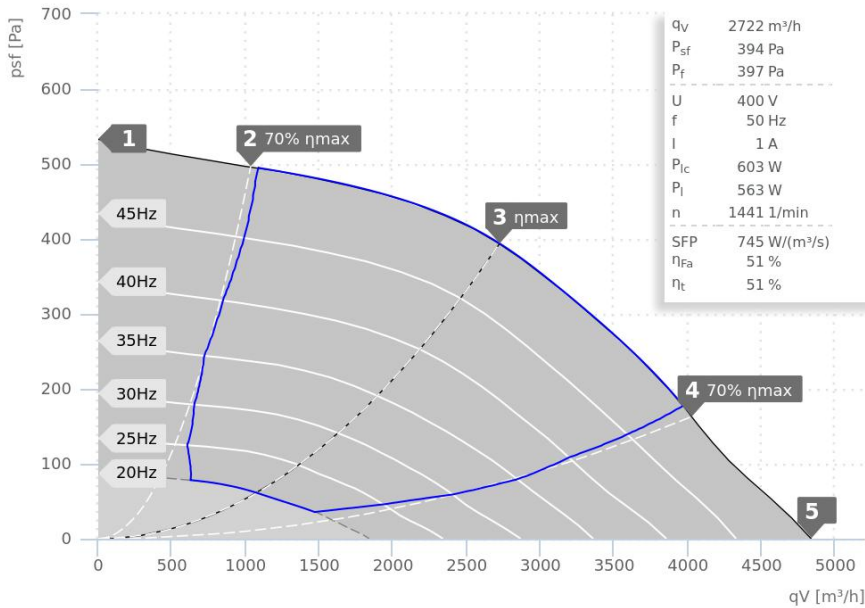
146465 00

VENTAS
VENTILATORER

DATA SHEET

ruck.eu
VENTILATOREN

MPC 400 D4 F4 T30 | 146472



— ErP compliant range

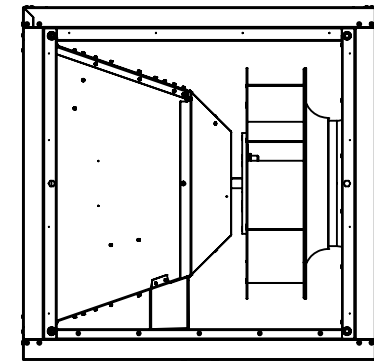
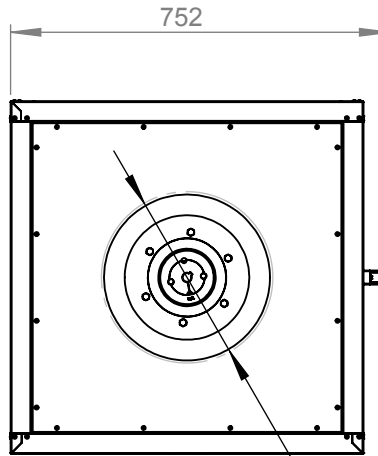
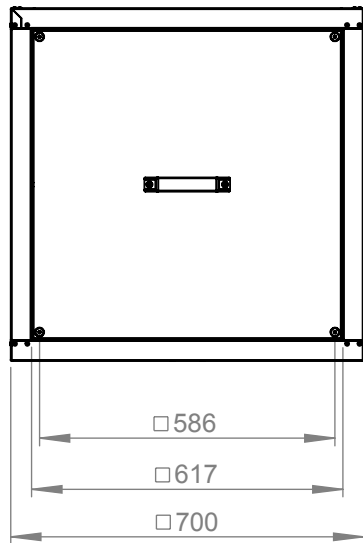


- 200 °C continuous operation and 400 °C / 120 min.
- Motor outside of air stream
- Speed controllable
- Galvanized sheet steel double wall casing
- Bottom pan with drain
- 30 mm insulation
- Certified according to EN 12101-3:2015 with Certificate 1404-CPR-3071
- Star-Delta operation possible
- Star: direct 400V 3~ grid or frequency converter with 400V output
- Delta: direct 230V 3~ grid or frequency converter with 230V 1~ input and 230V 3~ output
- Frequency converter with Fire-Mode function (optional)

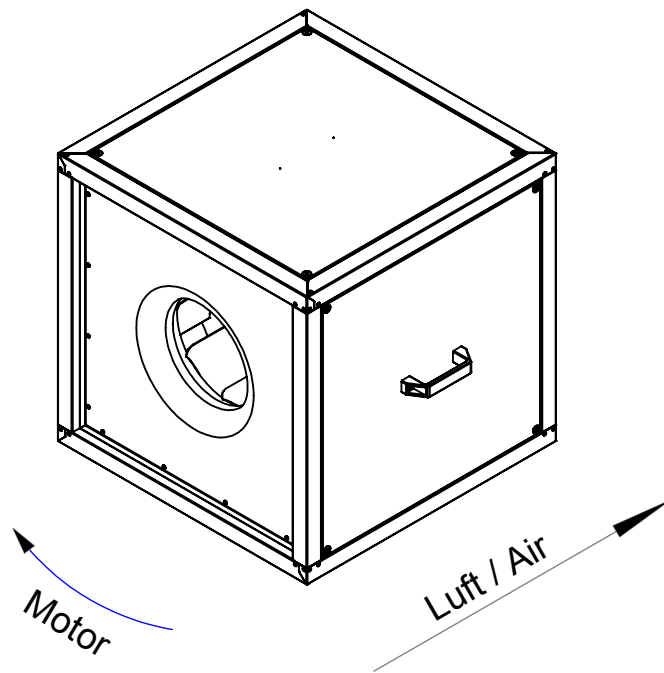
| Operating Point | | 1 | 2 | 3 | 4 | 5 |
|--|-------|------|------|------|------|------|
| Current I | A | 0,7 | 0,9 | 1,0 | 1,0 | 0,9 |
| Power consumption P _i | W | 236 | 391 | 564 | 488 | 403 |
| Rotation speed n | 1/min | 1474 | 1461 | 1442 | 1451 | 1462 |
| SWL inlet L _{WA5} | dB(A) | 74 | 73 | 74 | 78 | 80 |
| SWL outlet L _{WA6} | dB(A) | 76 | 75 | 76 | 80 | 82 |
| SWL housing break out L _{WA2} | dB(A) | 69 | 69 | 69 | 69 | 70 |

| Sound power (L _W) dB(A) | | Medium Frequency Band | | | | | | | | |
|-------------------------------------|------------------|-----------------------|----|-----|-----|-----|----|----|----|----|
| | | Σ | 63 | 125 | 250 | 500 | 1k | 2k | 4k | 8k |
| Inlet | L _{WA5} | 74 | 41 | 67 | 65 | 70 | 66 | 63 | 60 | 58 |
| Outlet | L _{WA6} | 76 | 41 | 65 | 66 | 70 | 71 | 67 | 62 | 57 |
| Housing radiation | L _{WA2} | 69 | 41 | 61 | 59 | 66 | 61 | 54 | 45 | 38 |

| MPC 400 D4 F4 T30 146472 | |
|--|----------|
| Voltage U _N | 400 V 3~ |
| Current I _{max} | 1,1 A |
| Ambient temperature t _A | 60 °C |
| Conveyed medium temperature t _M | 200 °C |
| Speed Control | f |
| Motor protection | - |
| Insulation class motor | F |
| Weight | 65,0 kg |
| Number of poles | 4 |
| IP motor | IP55 |
| IP terminal box | - |
| IP complete unit | - |
| Min. operating temperature | -20 °C |



Anschlussmaß innen
min. \varnothing 340
Connection size inside
min. \varnothing 340



ruck^{eu}
VENTILATOREN
ruck Ventilatoren
Max-Planck-Str. 5
D-97944 Boxberg



Protection Mark
according to ISO16016

Created s.pop
Drawn s.pop
Released d.hancu
Disabled

1:15 A4 mm

General tolerances
DIN ISO 2768-c

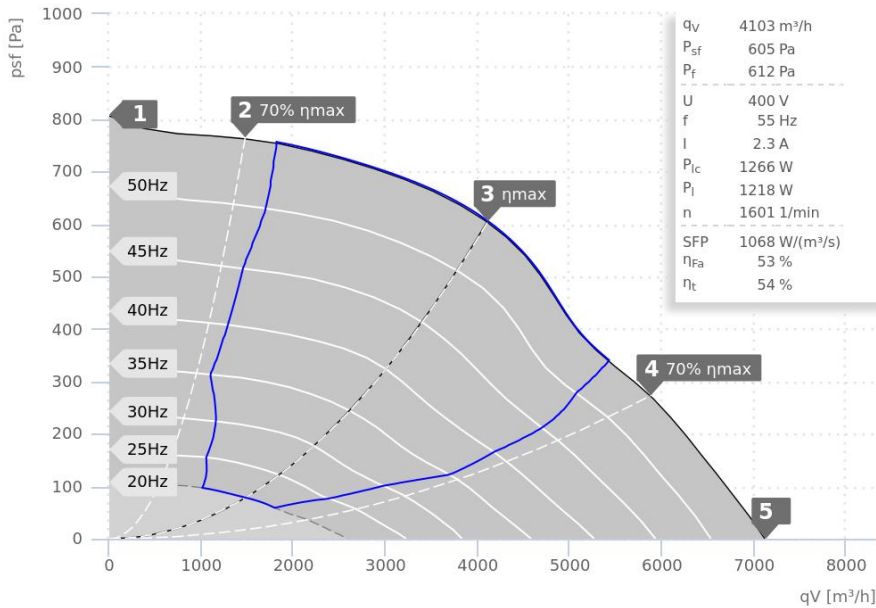
MPC400D4F4T30

146472 00

VENTAS
VENTILATORER

DATA SHEET

MPC 450 D4 F4 T30 | 146474



— ErP compliant range

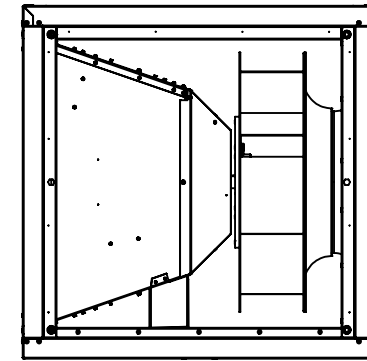
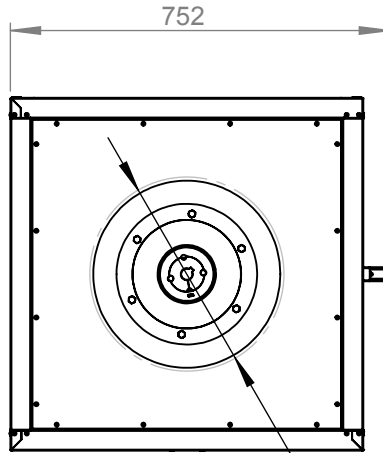
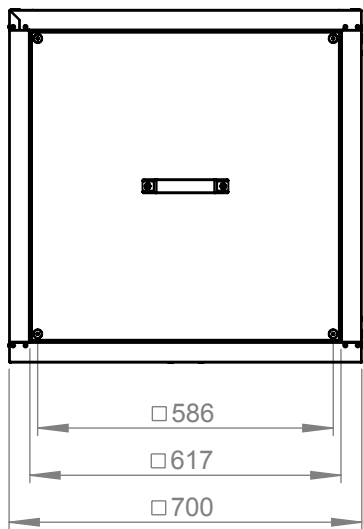


- 200 °C continuous operation and 400 °C / 120 min.
- Motor outside of air stream
- Speed controllable
- Galvanized sheet steel double wall casing
- Bottom pan with drain
- 30 mm insulation
- Certified according to EN 12101-3:2015 with Certificate 1404-CPR-3071
- Star-Delta operation possible
- Star: direct 400V 3~ grid or frequency converter with 400V output
- Delta: direct 230V 3~ grid or frequency converter with 230V 1~ input and 230V 3~ output
- Frequency converter with Fire-Mode function (optional)

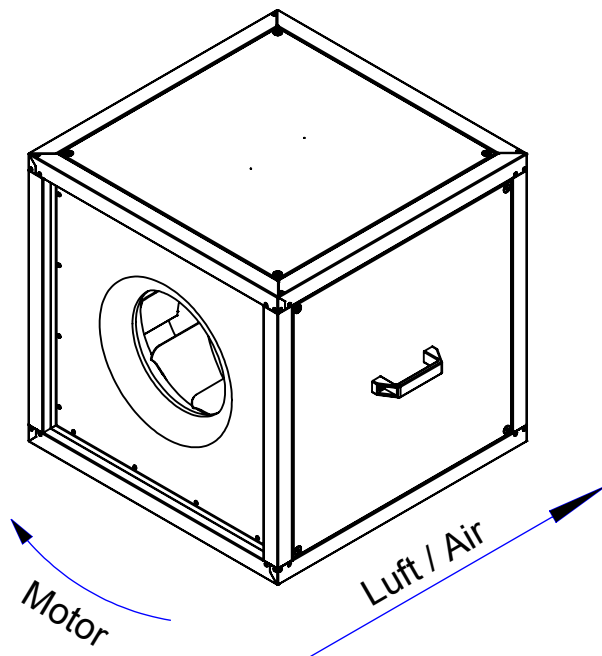
| Operating Point | | 1 | 2 | 3 | 4 | 5 |
|--|-------|------|------|------|------|------|
| Current I | A | 1,5 | 1,8 | 2,3 | 2,2 | 2,0 |
| Power consumption P _i | W | 469 | 802 | 1224 | 1118 | 903 |
| Rotation speed n | 1/min | 1629 | 1619 | 1604 | 1610 | 1617 |
| SWL inlet L _{WA5} | dB(A) | 80 | 80 | 82 | 85 | 87 |
| SWL outlet L _{WA6} | dB(A) | 84 | 83 | 85 | 88 | 90 |
| SWL housing break out L _{WA2} | dB(A) | 72 | 72 | 73 | 76 | 77 |

| Sound power (L _W) dB(A) | | Medium Frequency Band | | | | | | | | |
|-------------------------------------|------------------|-----------------------|----|-----|-----|-----|----|----|----|----|
| | | Σ | 63 | 125 | 250 | 500 | 1k | 2k | 4k | 8k |
| Inlet | L _{WA5} | 81 | 51 | 67 | 75 | 76 | 75 | 73 | 69 | 65 |
| Outlet | L _{WA6} | 85 | 51 | 67 | 77 | 79 | 80 | 76 | 72 | 64 |
| Housing radiation | L _{WA2} | 73 | 54 | 64 | 68 | 67 | 65 | 62 | 59 | 54 |

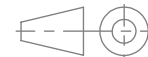
| MPC 450 D4 F4 T30 146474 | |
|--|----------|
| Voltage U _N | 400 V 3~ |
| Current I _{max} | 2,5 A |
| Ambient temperature t _A | 60 °C |
| Conveyed medium temperature t _M | 200 °C |
| Speed Control | f |
| Motor protection | - |
| Insulation class motor | F |
| Weight | 73,0 kg |
| Number of poles | 4 |
| IP motor | IP55 |
| IP terminal box | - |
| IP complete unit | - |
| Min. operating temperature | -20 °C |



Anschlussmaß innen
min. \varnothing 385
Connection size inside
min. \varnothing 385



ruck^{eu}
VENTILATOREN
ruck Ventilatoren
Max-Planck-Str. 5
D-97944 Boxberg



Protection Mark
according to ISO16016
Created s.pop
Drawn s.pop
Released d.costea
Disabled

1:15 A4 mm

General tolerances
DIN ISO 2768-c

MPC450D4F4T30

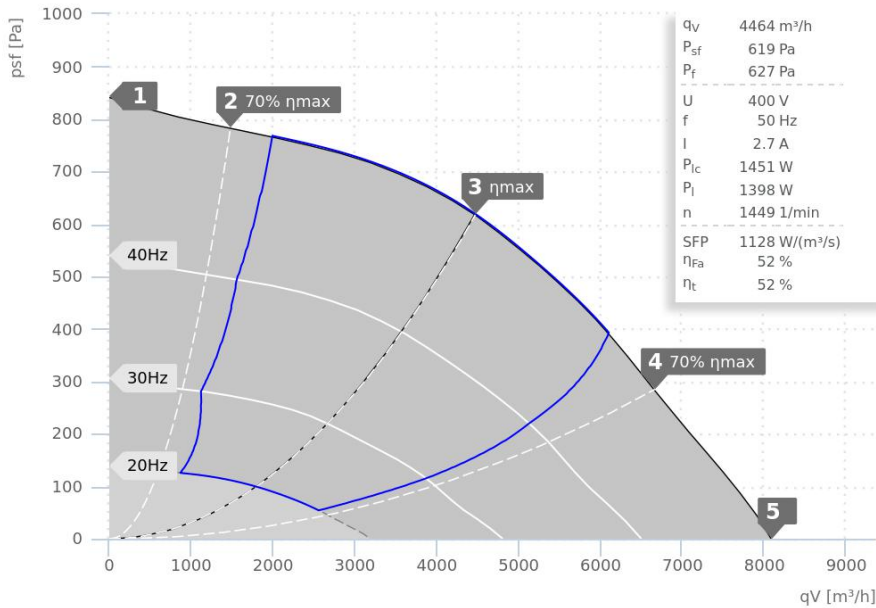
146474 00

VENTAS
VENTILATOREN

DATA SHEET

ruck.eu
VENTILATOREN

MPC 500 D4 F4 T30 | 146476



— ErP compliant range

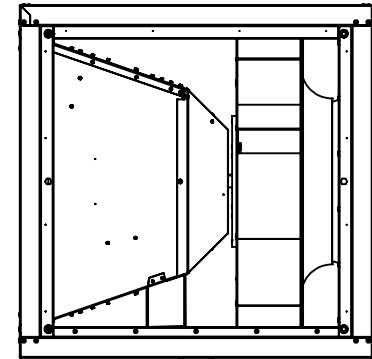
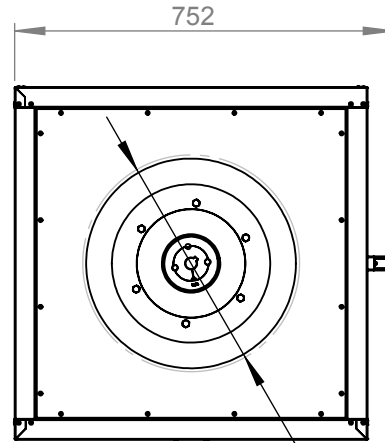
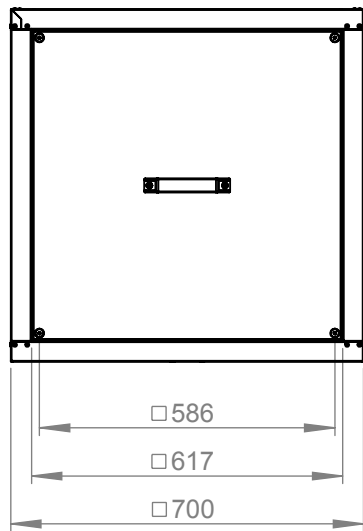


- 200 °C continuous operation and 400 °C / 120 min.
- Motor outside of air stream
- Speed controllable
- Galvanized sheet steel double wall casing
- Bottom pan with drain
- 30 mm insulation
- Certified according to EN 12101-3:2015 with Certificate 1404-CPR-3071
- Star-Delta operation possible
- Star: direct 400V 3~ grid or frequency converter with 400V output
- Delta: direct 230V 3~ grid or frequency converter with 230V 1~ input and 230V 3~ output
- Frequency converter with Fire-Mode function (optional)

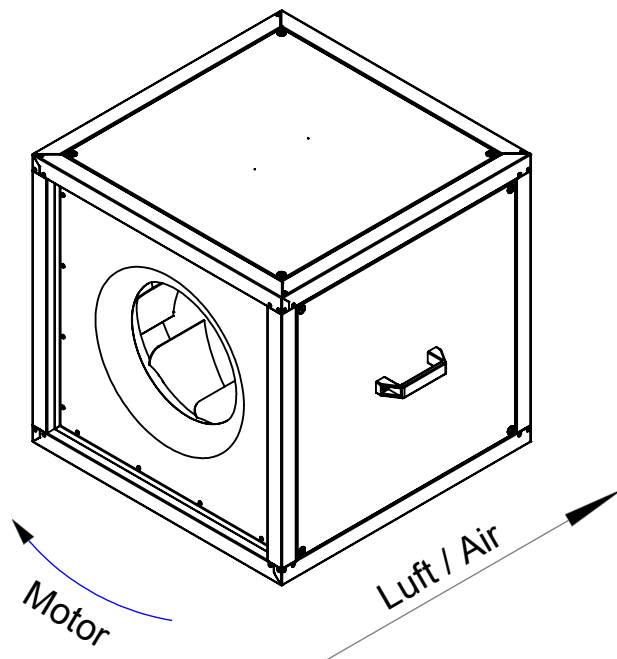
| Operating Point | | 1 | 2 | 3 | 4 | 5 |
|--|-------|------|------|------|------|------|
| Current I | A | 1,7 | 2,0 | 2,7 | 2,6 | 2,4 |
| Power consumption P _i | W | 512 | 843 | 1405 | 1375 | 1166 |
| Rotation speed n | 1/min | 1478 | 1471 | 1452 | 1455 | 1462 |
| SWL inlet L _{WA5} | dB(A) | 84 | 85 | 86 | 88 | 90 |
| SWL outlet L _{WA6} | dB(A) | 84 | 86 | 86 | 88 | 90 |
| SWL housing break out L _{WA2} | dB(A) | 76 | 77 | 77 | 79 | 81 |

| Sound power (L _w) dB(A) | | Medium Frequency Band | | | | | | | | |
|-------------------------------------|------------------|-----------------------|----|-----|-----|-----|----|----|----|----|
| | | Σ | 63 | 125 | 250 | 500 | 1k | 2k | 4k | 8k |
| Inlet | L _{WA5} | 85 | 51 | 75 | 74 | 80 | 80 | 79 | 74 | 64 |
| Outlet | L _{WA6} | 86 | 53 | 77 | 75 | 80 | 81 | 79 | 74 | 65 |
| Housing radiation | L _{WA2} | 77 | 51 | 70 | 68 | 69 | 71 | 70 | 63 | 53 |

| MPC 500 D4 F4 T30 146476 | |
|--|----------|
| Voltage U _N | 400 V 3~ |
| Current I _{max} | 2,9 A |
| Ambient temperature t _A | 60 °C |
| Conveyed medium temperature t _M | 200 °C |
| Speed Control | f |
| Motor protection | - |
| Insulation class motor | F |
| Weight | 75,0 kg |
| Number of poles | 4 |
| IP motor | IP55 |
| IP terminal box | - |
| IP complete unit | - |
| Min. operating temperature | -20 °C |



Anschlussmaß innen
min. \varnothing 430
Connection size inside
min. \varnothing 430



1:15 A4 mm

Protection Mark
according to ISO16016

General tolerances
DIN ISO 2768-c

MPC500D4F4T30

Created s.pop
Drawn s.pop
Released d.hancu
Disabled

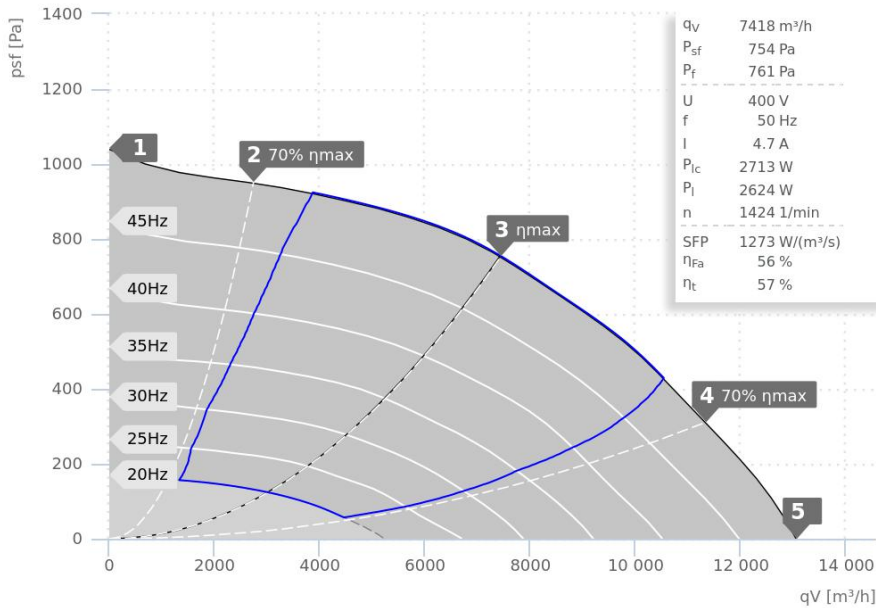
29.05.2018
29.05.2018
25.04.2019

146476 00



DATA SHEET

MPC 560 D4 F4 T30 | 146478



— ErP compliant range

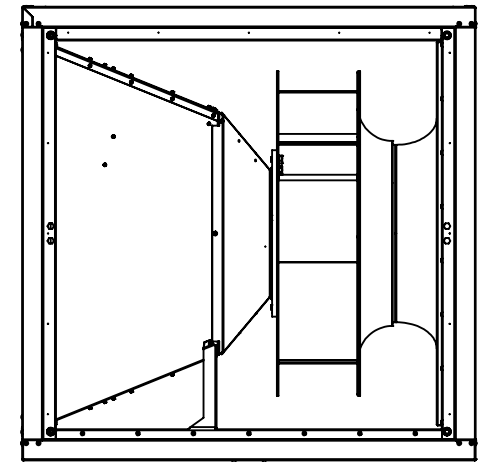
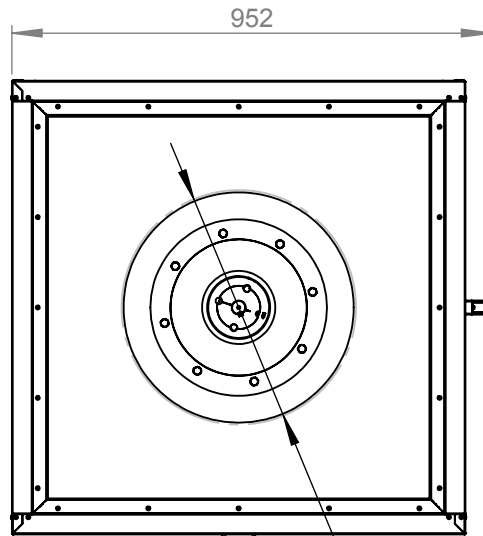
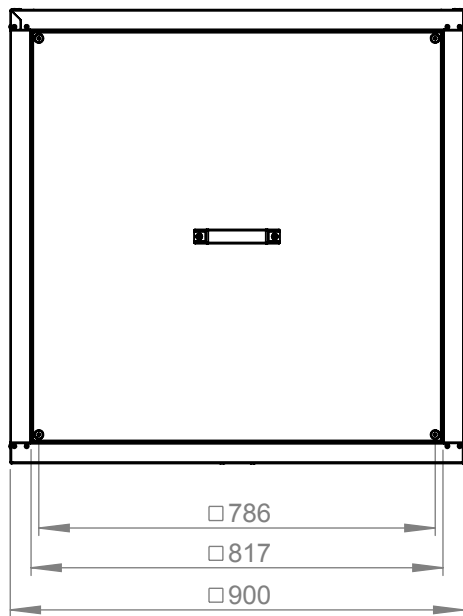


- 200 °C continuous operation and 400 °C / 120 min.
- Motor outside of air stream
- Speed controllable
- Galvanized sheet steel double wall casing
- Bottom pan with drain
- 30 mm insulation
- Certified according to EN 12101-3:2015 with Certificate 1404-CPR-3071
- Star-Delta operation possible
- Star: direct 400V 3~ grid or frequency converter with 400V output
- Delta: direct 230V 3~ grid or frequency converter with 230V 1~ input and 230V 3~ output
- Frequency converter with Fire-Mode function (optional)

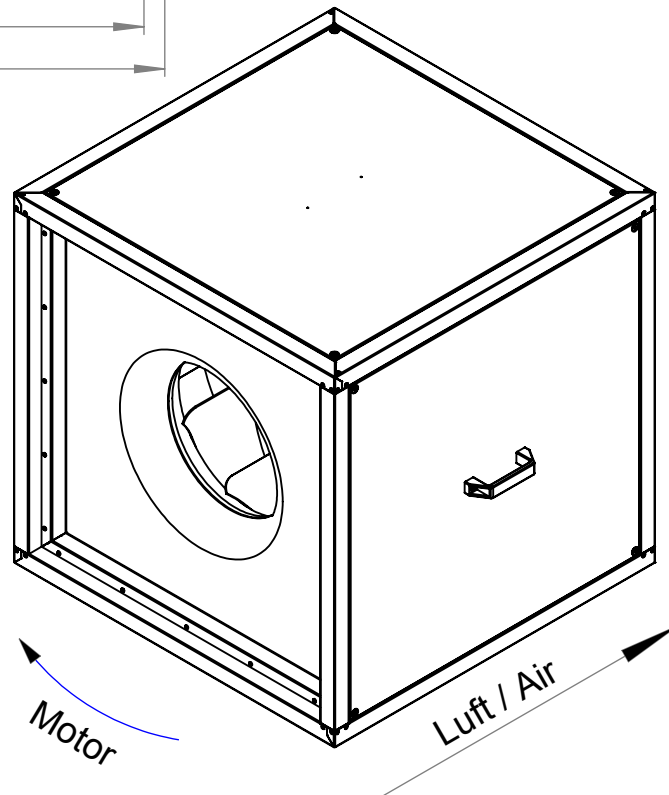
| Operating Point | | 1 | 2 | 3 | 4 | 5 |
|--|-------|------|------|------|------|------|
| Current I | A | 2,7 | 3,5 | 4,7 | 4,3 | 3,9 |
| Power consumption P _i | W | 1013 | 1769 | 2637 | 2309 | 2070 |
| Rotation speed n | 1/min | 1466 | 1452 | 1426 | 1440 | 1446 |
| SWL inlet L _{WA5} | dB(A) | 83 | 84 | 85 | 90 | 91 |
| SWL outlet L _{WA6} | dB(A) | 87 | 88 | 88 | 91 | 93 |
| SWL housing break out L _{WA2} | dB(A) | 74 | 75 | 76 | 78 | 79 |

| Sound power (L _W) dB(A) | | Medium Frequency Band | | | | | | | | |
|-------------------------------------|------------------|-----------------------|----|-----|-----|-----|----|----|----|----|
| | | Σ | 63 | 125 | 250 | 500 | 1k | 2k | 4k | 8k |
| Inlet | L _{WA5} | 85 | 52 | 77 | 77 | 77 | 79 | 79 | 75 | 67 |
| Outlet | L _{WA6} | 88 | 49 | 77 | 78 | 82 | 83 | 81 | 77 | 68 |
| Housing radiation | L _{WA2} | 76 | 47 | 66 | 65 | 72 | 72 | 63 | 58 | 50 |

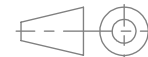
| MPC 560 D4 F4 T30 146478 | |
|--|----------|
| Voltage U _N | 400 V 3~ |
| Current I _{max} | 5,0 A |
| Ambient temperature t _A | 60 °C |
| Conveyed medium temperature t _M | 200 °C |
| Speed Control | f |
| Motor protection | - |
| Insulation class motor | F |
| Weight | 127,0 kg |
| Number of poles | 4 |
| IP motor | IP55 |
| IP terminal box | - |
| IP complete unit | - |
| Min. operating temperature | -20 °C |



Anschlussmaß innen
min. $\varnothing 465$
Connection size inside
min. $\varnothing 465$



ruck^{eu}
VENTILATOREN
ruck Ventilatoren
Max-Planck-Str. 5
D-97944 Boxberg



Protection Mark
according to ISO16016
Created s.pop
Drawn s.pop
Released d.hancu
Disabled

1:15 A4 mm

General tolerances
DIN ISO 2768-c

MPC560D4F4T30

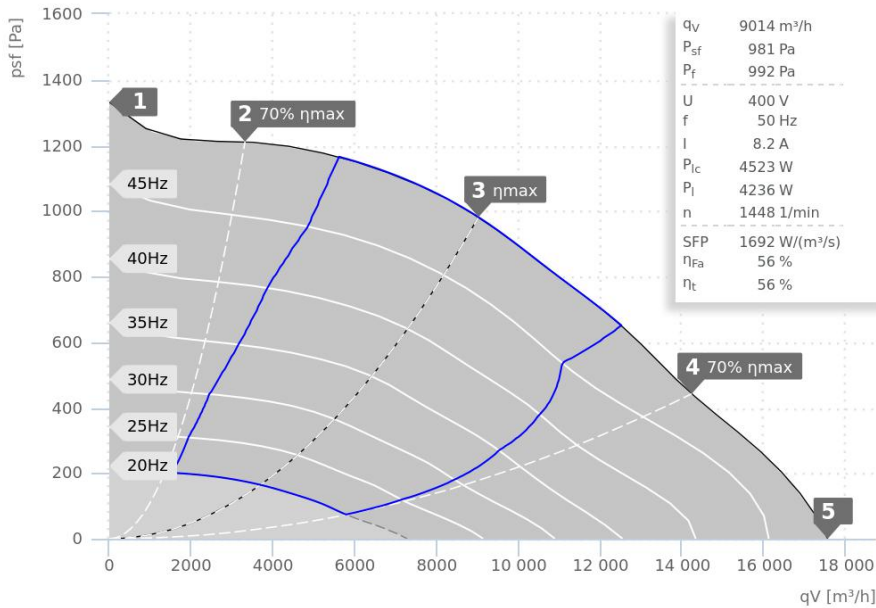
146478 00



DATA SHEET

ruck.eu
VENTILATOREN

MPC 630 D4 F4 T30 | 146481



— ErP compliant range

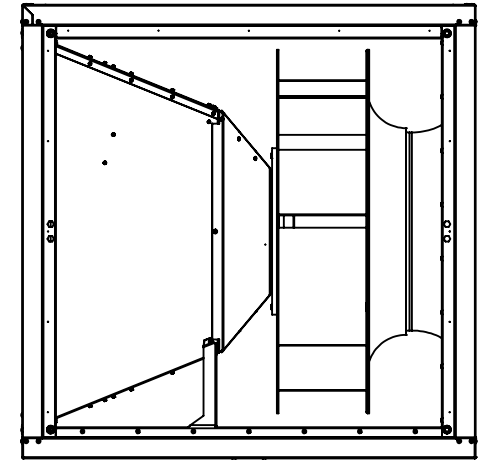
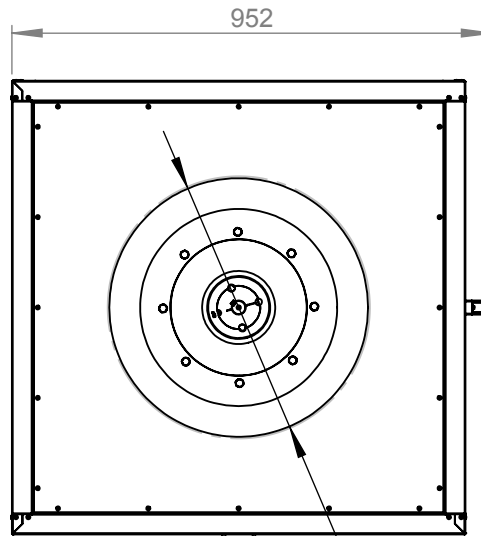
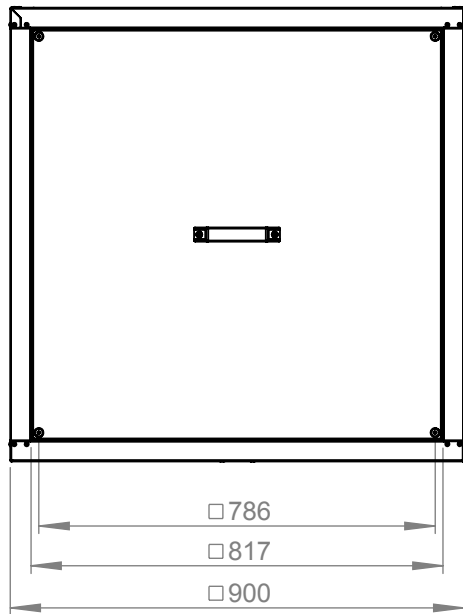


- 200 °C continuous operation and 400 °C / 120 min.
- Motor outside of air stream
- Speed controllable
- Galvanized sheet steel double wall casing
- Bottom pan with drain
- 30 mm insulation
- Certified according to EN 12101-3:2015 with Certificate 1404-CPR-3071
- Star-Delta operation possible
- Star: direct 400V 3~ grid or frequency converter with 400V output
- Delta: direct 230V 3~ grid or frequency converter with 230V 1~ input and 230V 3~ output
- Frequency converter with Fire-Mode function (optional)

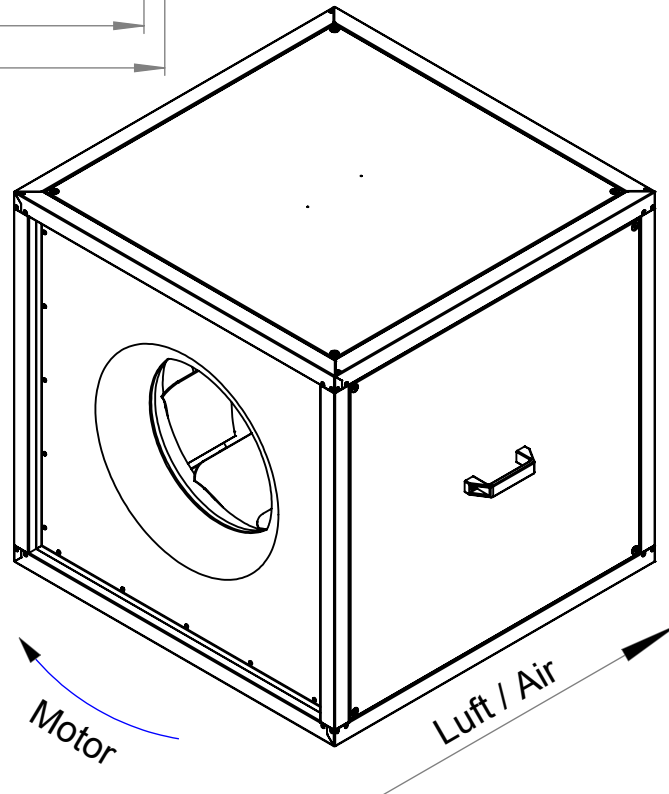
| Operating Point | | 1 | 2 | 3 | 4 | 5 |
|---------------------------------|-------|------|------|------|------|------|
| Current I | A | 5,1 | 6,3 | 8,3 | 7,9 | 6,8 |
| Power consumption P_1 | W | 1439 | 2750 | 4241 | 4032 | 3344 |
| Rotation speed n | 1/min | 1474 | 1468 | 1449 | 1455 | 1455 |
| SWL inlet L_{WA5} | dB(A) | 86 | 88 | 89 | 92 | 93 |
| SWL outlet L_{WA6} | dB(A) | 91 | 92 | 92 | 97 | 98 |
| SWL housing break out L_{WA2} | dB(A) | 79 | 81 | 79 | 84 | 84 |

| Sound power (L_W) dB(A) | | Medium Frequency Band | | | | | | | | |
|-----------------------------|-----------|-----------------------|----|-----|-----|-----|----|----|----|----|
| | | Σ | 63 | 125 | 250 | 500 | 1k | 2k | 4k | 8k |
| Inlet | L_{WA5} | 89 | 58 | 78 | 81 | 82 | 84 | 81 | 75 | 67 |
| Outlet | L_{WA6} | 92 | 61 | 81 | 82 | 87 | 87 | 84 | 79 | 70 |
| Housing radiation | L_{WA2} | 79 | 57 | 76 | 71 | 71 | 71 | 70 | 62 | 55 |

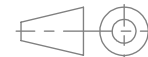
| MPC 630 D4 F4 T30 146481 | |
|-----------------------------------|----------|
| Voltage U_N | 400 V 3~ |
| Current I_{max} | 8,8 A |
| Ambient temperature t_A | 60 °C |
| Conveyed medium temperature t_M | 200 °C |
| Speed Control | f |
| Motor protection | - |
| Insulation class motor | F |
| Weight | 140,0 kg |
| Number of poles | 4 |
| IP motor | IP55 |
| IP terminal box | - |
| IP complete unit | - |
| Min. operating temperature | -20 °C |



Anschlussmaß innen
min. \varnothing 520
Connection size inside
min. \varnothing 520



ruck^{eu}
VENTILATOREN
ruck Ventilatoren
Max-Planck-Str. 5
D-97944 Boxberg



Protection Mark
according to ISO 16016
Created s.pop
Drawn s.pop
Released d.hancu
Disabled

1:15 A4 mm

General tolerances
DIN ISO 2768-c

MPC630D4F4T30

146481 00

VENTAS
VENTILATOREN