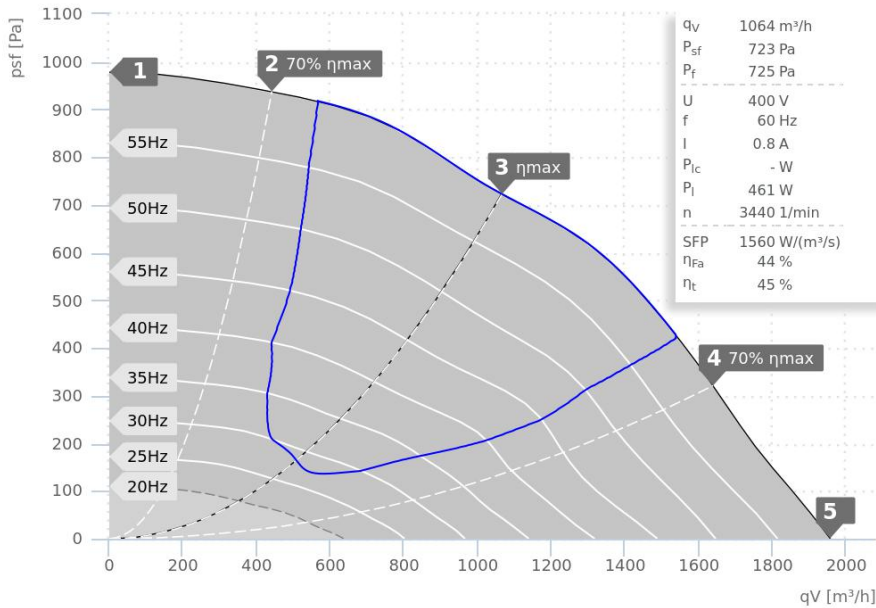


DATA SHEET

ruck.eu
VENTILATOREN

MPC 225 D2 F4 TI 30 | 146661



— ErP compliant range

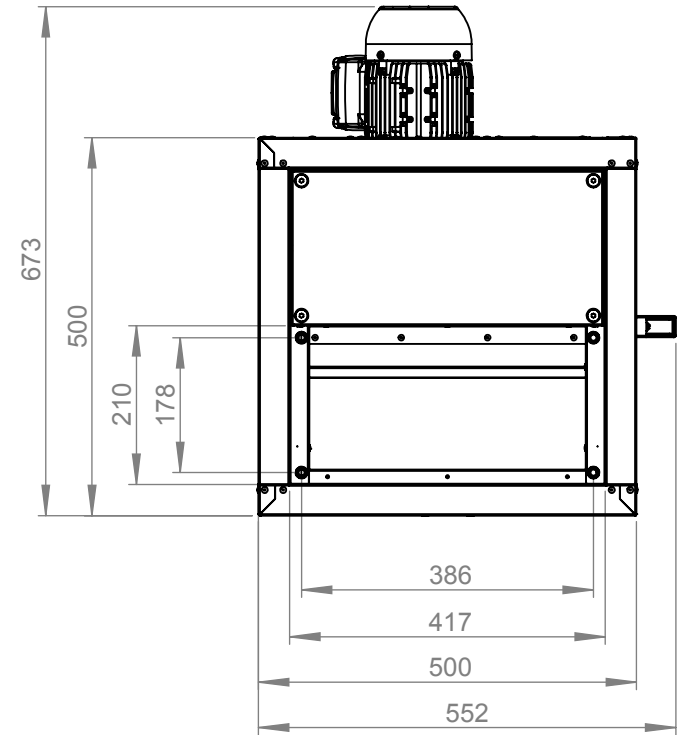
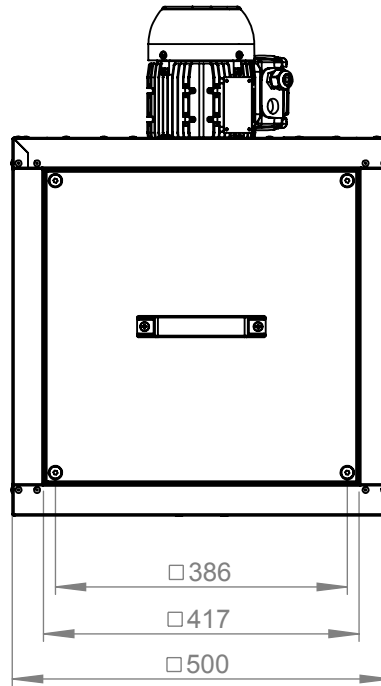
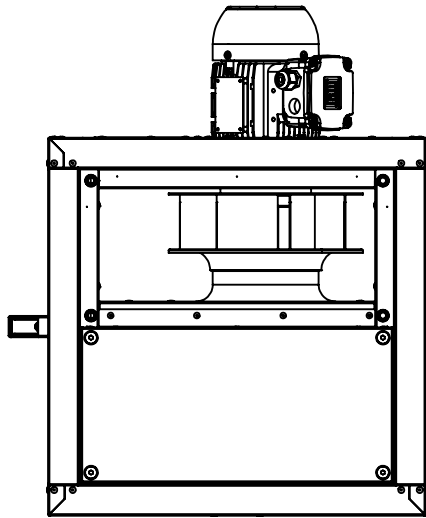


- 200 °C continuous operation and 400 °C / 120 min.
- Linear airflow
- Galvanized sheet steel double wall casing
- Motor outside of air stream
- Speed controllable
- Bottom pan with drain
- 30 mm insulation
- Certified according to EN 12101-3:2015 with Certificate 1404-CPR-3072
- Star-Delta operation possible
- Star: direct 400V 3~ grid or frequency converter with 400V output
- Delta: direct 230V 3~ grid or frequency converter with 230V 1~ input and 230V 3~ output
- Frequency converter with Fire-Mode function (optional)

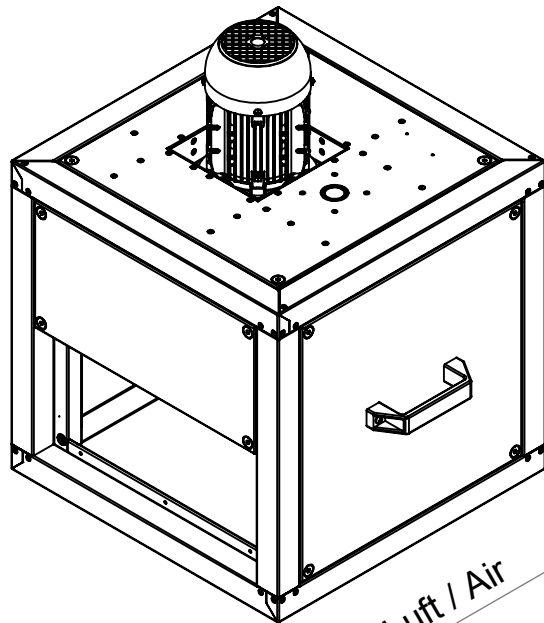
Operating Point		1	2	3	4	5
Current I	A	0,6	0,7	0,8	0,8	0,7
Power consumption P ₁	W	246	360	461	448	384
Rotation speed n	1/min	3522	3477	3441	3453	3484
SWL inlet L _{WA5}	dB(A)	78	77	78	82	85
SWL outlet L _{WA6}	dB(A)	83	83	84	91	93
SWL housing break out L _{WA2}	dB(A)	72	71	72	73	74

Sound power (L _W) dB(A)		Medium Frequency Band								
		Σ	63	125	250	500	1k	2k	4k	8k
Inlet	L _{WA5}	78	47	56	62	70	73	73	69	62
Outlet	L _{WA6}	84	43	60	69	81	78	77	72	65
Housing radiation	L _{WA2}	72	44	50	53	62	67	68	62	53

MPC 225 D2 F4 TI 30 146661	
Voltage U _N	400 V 3~
Current I _{max}	0,9 A
Ambient temperature t _A	60 °C
Conveyed medium temperature t _M	200 °C
Speed Control	f
Motor protection	-
Insulation class motor	F
Weight	40,3 kg
Number of poles	2
IP motor	IP55
IP terminal box	-
IP complete unit	-
Min. operating temperature	-20 °C



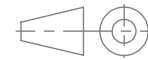
Motor



Luft / Air



ruck^{eu}
VENTILATOREN
ruck Ventilatoren
Max-Planck-Str. 5
D-97944 Boxberg



1:10 A4 mm

Protection Mark
according to ISO16016

General tolerances
DIN ISO 2768-c

Created s.pop
Drawn s.pop
Released d.hancu
Disabled

11.06.2018
11.06.2018
07.02.2019

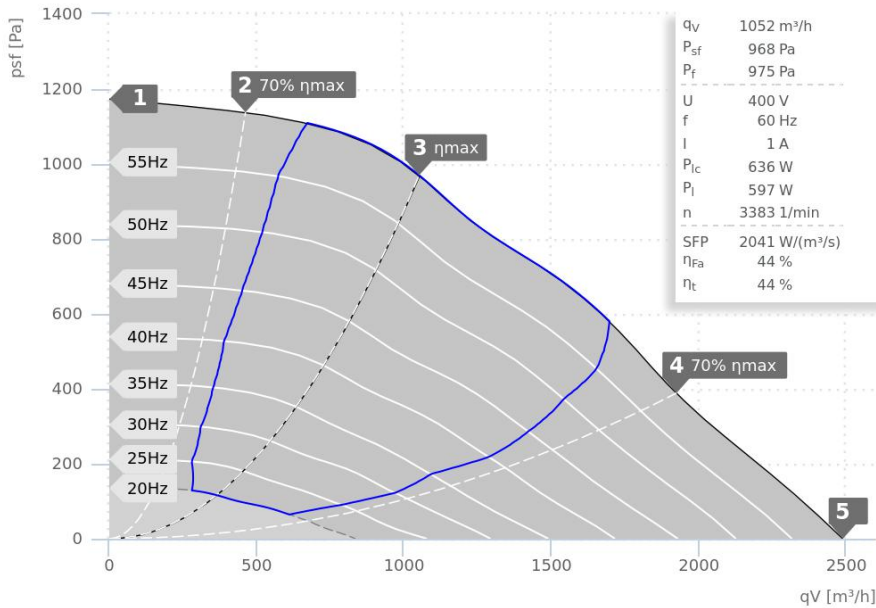
MPC225D2F4TI30

146661 01

VENTAS
VENTILATORER

DATA SHEET

MPC 250 D2 F4 TI 30 | 146665



— ErP compliant range

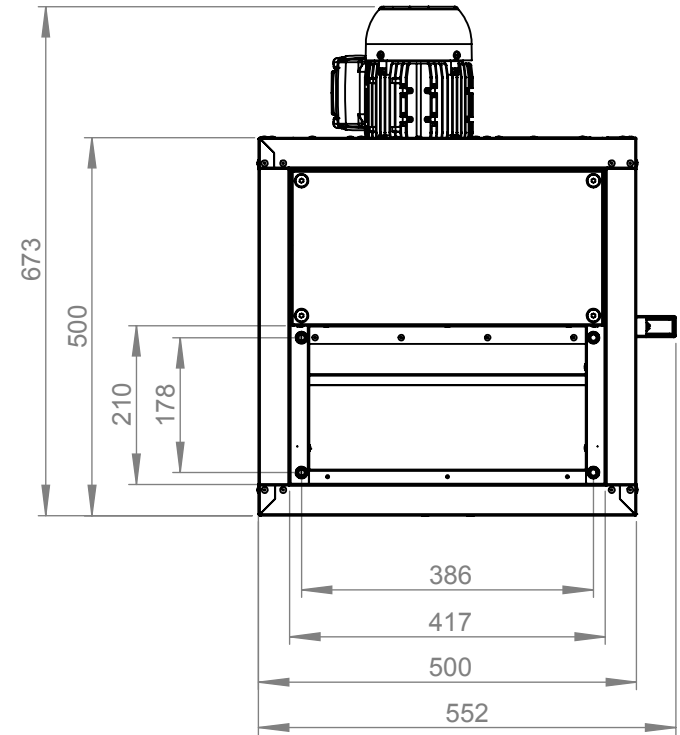
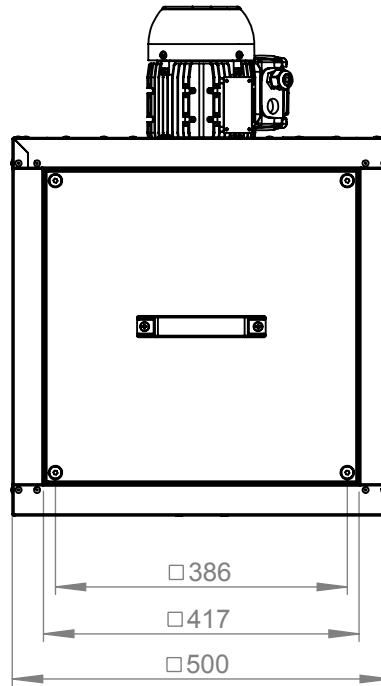
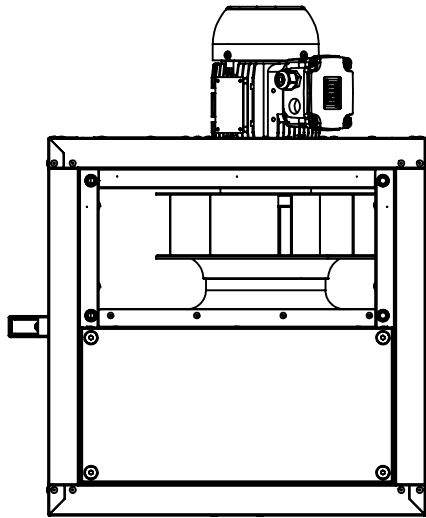


- 200 °C continuous operation and 400 °C / 120 min.
- Linear airflow
- Galvanized sheet steel double wall casing
- Motor outside of air stream
- Speed controllable
- Bottom pan with drain
- 30 mm insulation
- Certified according to EN 12101-3:2015 with Certificate 1404-CPR-3072
- Star-Delta operation possible
- Star: direct 400V 3~ grid or frequency converter with 400V output
- Delta: direct 230V 3~ grid or frequency converter with 230V 1~ input and 230V 3~ output
- Frequency converter with Fire-Mode function (optional)

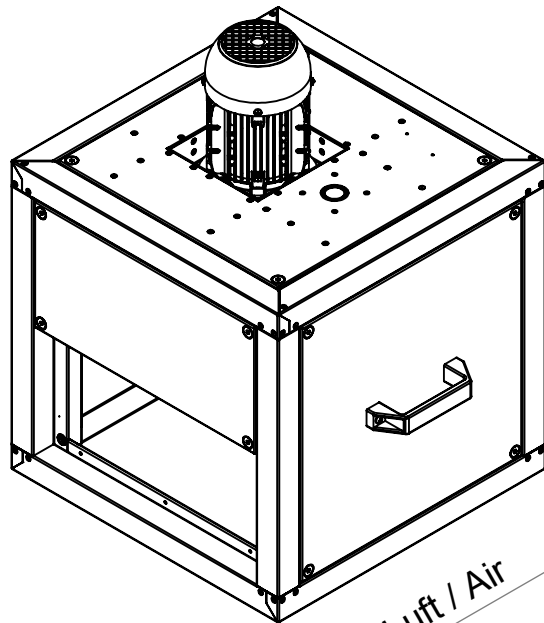
Operating Point		1	2	3	4	5
Current I	A	0,7	0,8	1,0	1,1	1,0
Power consumption P_i	W	307	450	597	630	578
Rotation speed n	1/min	3498	3441	3384	3380	3412
SWL inlet L_{WA5}	dB(A)	82	82	81	85	88
SWL outlet L_{WA6}	dB(A)	86	86	86	93	97
SWL housing break out L_{WA2}	dB(A)	72	72	72	74	77

Sound power (L_W) dB(A)		Medium Frequency Band								
		Σ	63	125	250	500	1k	2k	4k	8k
Inlet	L_{WA5}	81	50	65	67	71	74	75	76	71
Outlet	L_{WA6}	86	48	67	73	82	80	78	73	68
Housing radiation	L_{WA2}	72	50	55	59	64	67	67	61	53

MPC 250 D2 F4 TI 30 146665	
Voltage U_N	400 V 3~
Current I_{max}	1,2 A
Ambient temperature t_A	60 °C
Conveyed medium temperature t_M	200 °C
Speed Control	f
Motor protection	-
Insulation class motor	F
Weight	41,0 kg
Number of poles	2
IP motor	IP55
IP terminal box	-
IP complete unit	-
Min. operating temperature	-20 °C



Motor



Luft / Air

ruck^{eu}
VENTILATOREN
ruck Ventilatoren
Max-Planck-Str. 5
D-97944 Boxberg



1:10 A4 mm

Protection Mark
according to ISO16016

General tolerances
DIN ISO 2768-c

Created s.pop
Drawn s.pop
Released d.hancu
Disabled

11.06.2018
11.06.2018
07.02.2019

MPC250D2F4TI30

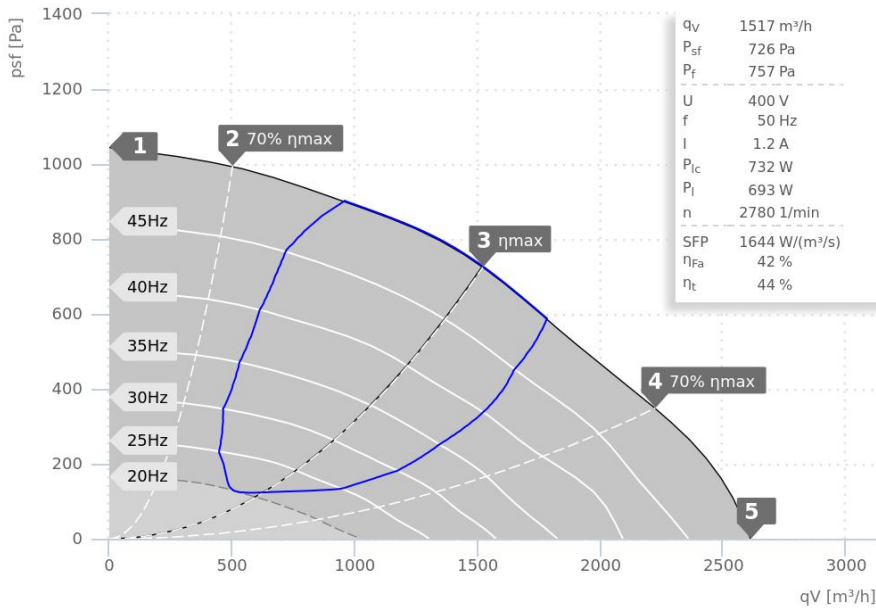
146665 01

VENTAS
VENTILATORER

DATA SHEET

ruck.eu
VENTILATOREN

MPC 280 D2 F4 TI 30 | 146669



— ErP compliant range

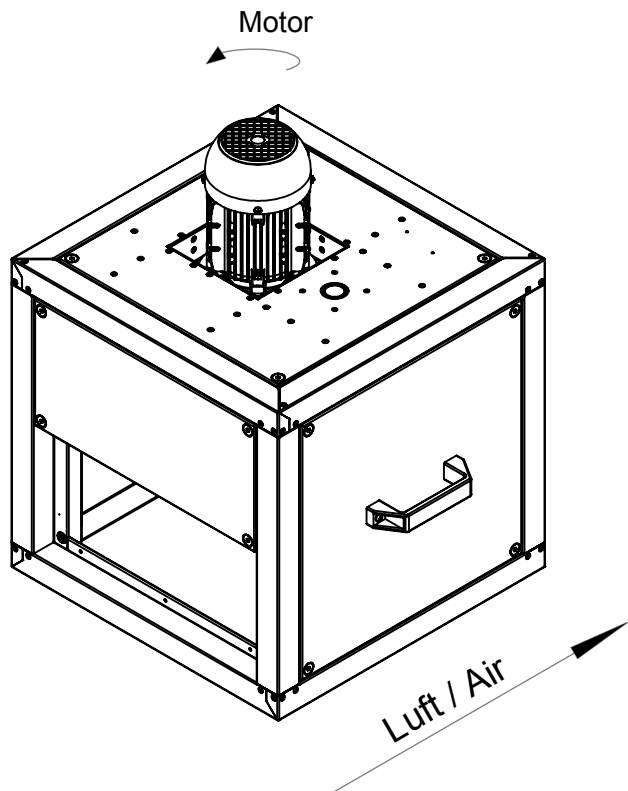
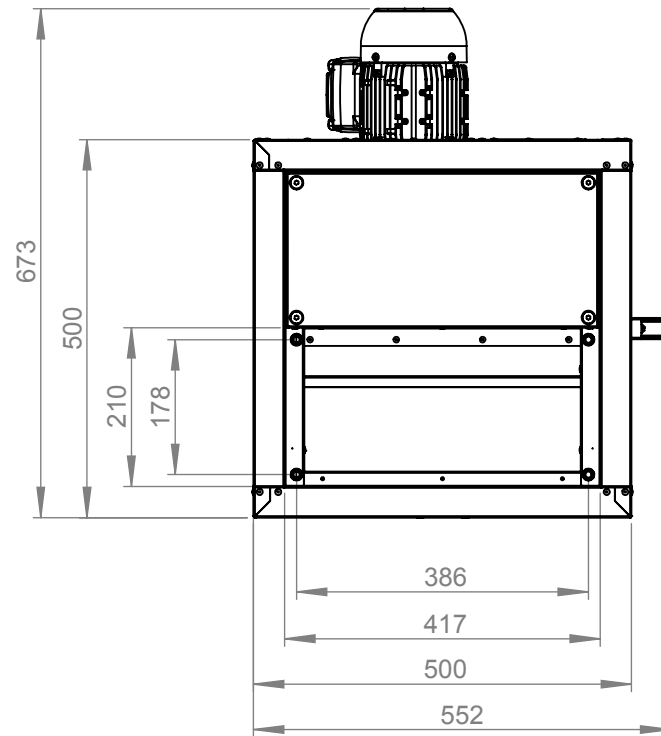
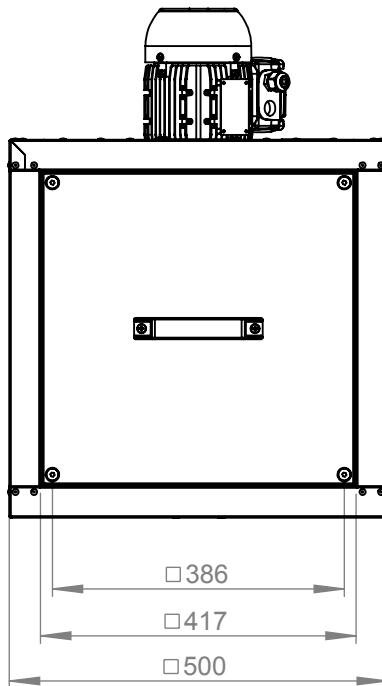
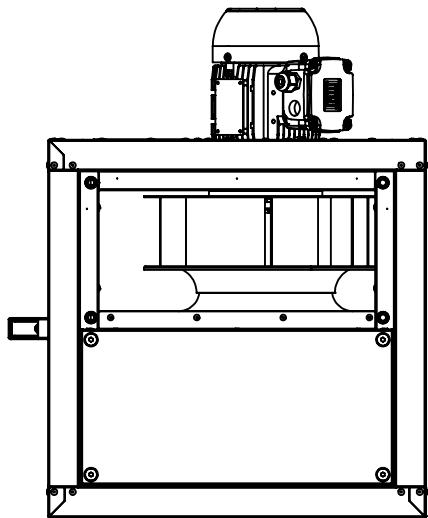


- 200 °C continuous operation and 400 °C / 120 min.
- Linear airflow
- Galvanized sheet steel double wall casing
- Motor outside of air stream
- Speed controllable
- Bottom pan with drain
- 30 mm insulation
- Certified according to EN 12101-3:2015 with Certificate 1404-CPR-3072
- Star-Delta operation possible
- Star: direct 400V 3~ grid or frequency converter with 400V output
- Delta: direct 230V 3~ grid or frequency converter with 230V 1~ input and 230V 3~ output
- Frequency converter with Fire-Mode function (optional)

Operating Point		1	2	3	4	5
Current I	A	0,7	0,9	1,2	1,2	1,1
Power consumption P _i	W	303	457	695	694	646
Rotation speed n	1/min	2913	2860	2783	2787	2826
SWL inlet L _{WA5}	dB(A)	79	79	81	83	86
SWL outlet L _{WA6}	dB(A)	85	86	86	90	94
SWL housing break out L _{WA2}	dB(A)	70	70	71	72	74

Sound power (L _W) dB(A)		Medium Frequency Band								
		Σ	63	125	250	500	1k	2k	4k	8k
Inlet	L _{WA5}	81	52	64	77	71	73	73	70	63
Outlet	L _{WA6}	86	47	64	79	81	80	79	74	67
Housing radiation	L _{WA2}	71	48	54	65	60	68	63	56	48

MPC 280 D2 F4 TI 30 146669	
Voltage U _N	400 V 3~
Current I _{max}	1,3 A
Ambient temperature t _A	60 °C
Conveyed medium temperature t _M	200 °C
Speed Control	f
Motor protection	-
Insulation class motor	F
Weight	41,3 kg
Number of poles	2
IP motor	IP55
IP terminal box	-
IP complete unit	-
Min. operating temperature	-20 °C



ruck^{eu}
VENTILATOREN
ruck Ventilatoren
Max-Planck-Str. 5
D-97944 Boxberg



Protection Mark
according to ISO16016
Created s.pop
Drawn s.pop
Released d.hancu
Disabled

1:10 A4 mm

General tolerances
DIN ISO 2768-c

12.06.2018
12.06.2018
08.02.2019

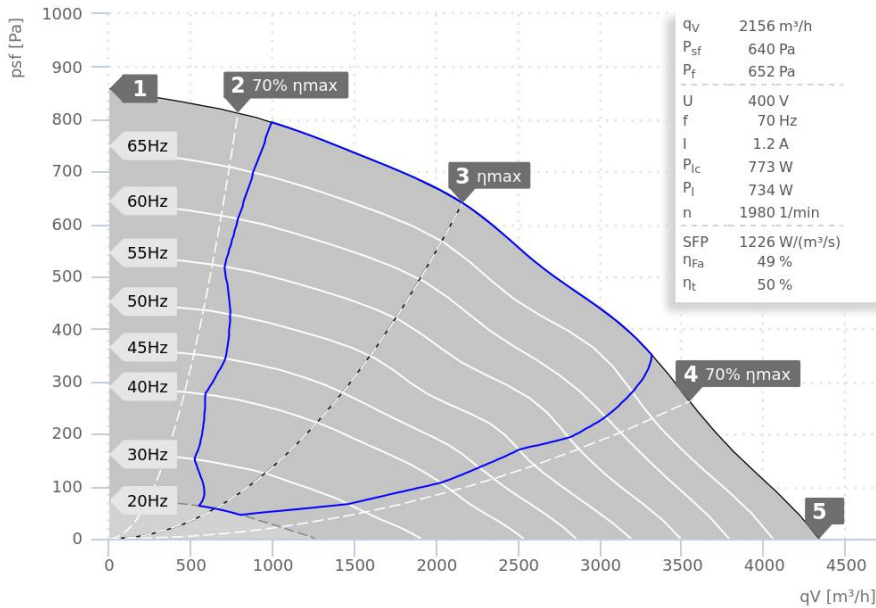
MPC280D2F4TI30

146669 01

VENTAS
VENTILATORER

DATA SHEET

MPC 355 D4 F4 TI 30 | 146675



— ErP compliant range

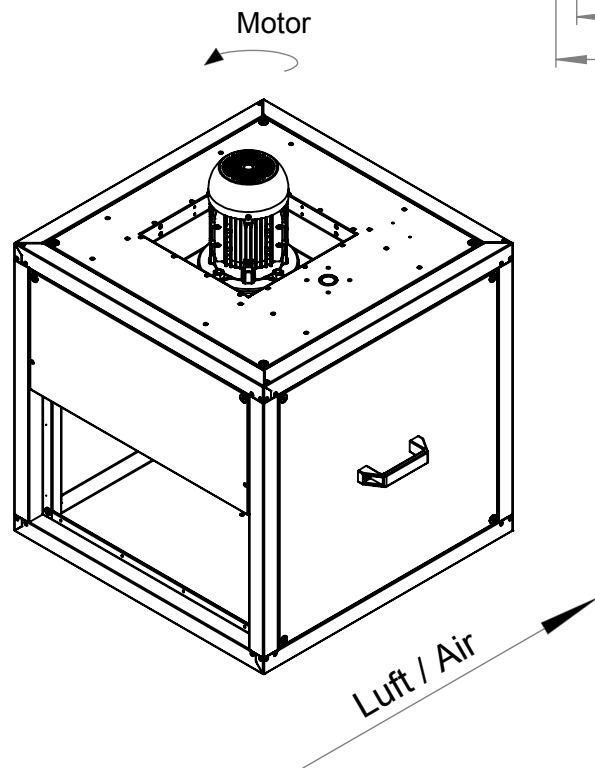
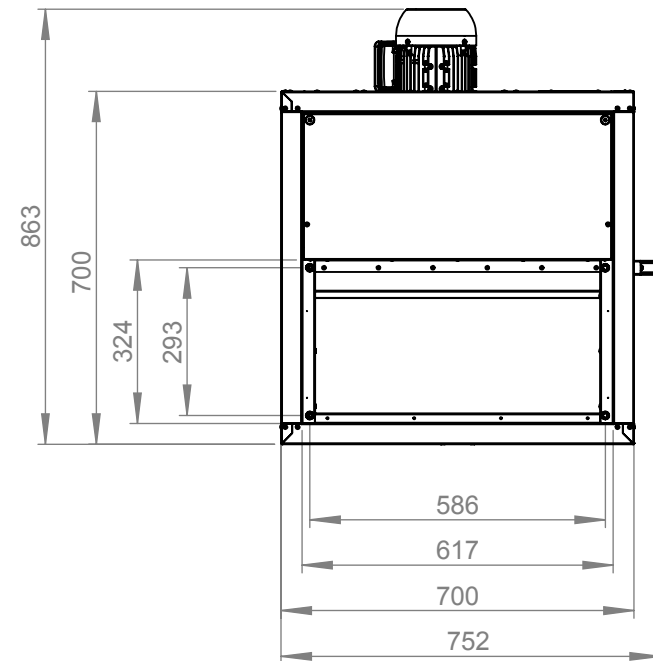
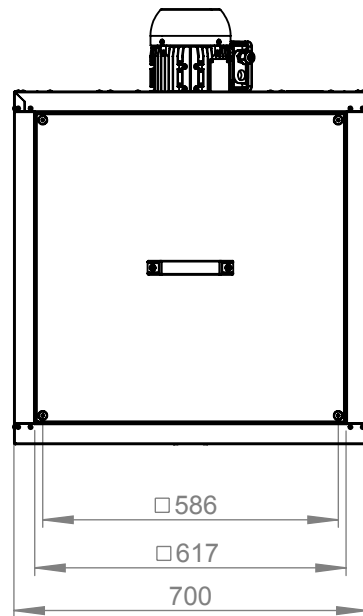
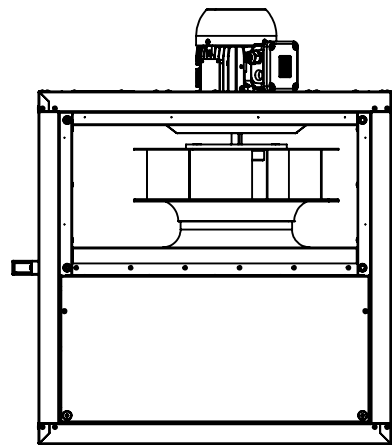


- 200 °C continuous operation and 400 °C / 120 min.
- Linear airflow
- Galvanized sheet steel double wall casing
- Motor outside of air stream
- Speed controllable
- Bottom pan with drain
- 30 mm insulation
- Certified according to EN 12101-3:2015 with Certificate 1404-CPR-3072
- Star-Delta operation possible
- Star: direct 400V 3~ grid or frequency converter with 400V output
- Delta: direct 230V 3~ grid or frequency converter with 230V 1~ input and 230V 3~ output
- Frequency converter with Fire-Mode function (optional)

Operating Point		1	2	3	4	5
Current I	A	0,6	0,9	1,2	1,2	1,0
Power consumption P _i	W	301	489	735	702	590
Rotation speed n	1/min	2055	2024	1980	1990	2012
SWL inlet L _{WA5}	dB(A)	77	76	76	82	85
SWL outlet L _{WA6}	dB(A)	82	81	82	88	92
SWL housing break out L _{WA2}	dB(A)	66	66	68	70	71

Sound power (L _w) dB(A)		Medium Frequency Band								
		Σ	63	125	250	500	1k	2k	4k	8k
Inlet	L _{WA5}	76	47	59	64	70	70	69	66	63
Outlet	L _{WA6}	82	45	63	74	76	76	74	70	67
Housing radiation	L _{WA2}	68	45	52	60	63	62	59	51	45

MPC 355 D4 F4 TI 30 146675	
Voltage U _N	400 V 3~
Current I _{max}	1,3 A
Ambient temperature t _A	60 °C
Conveyed medium temperature t _M	200 °C
Speed Control	f
Motor protection	-
Insulation class motor	F
Weight	72,5 kg
Number of poles	4
IP motor	IP55
IP terminal box	-
IP complete unit	-
Min. operating temperature	-20 °C



ruck^{eu}
VENTILATOREN
ruck Ventilatoren
Max-Planck-Str. 5
D-97944 Boxberg



Protection Mark
according to ISO16016

Created s.pop
Drawn s.pop
Released d.hancu
Disabled

1:15 A4 mm

General tolerances
DIN ISO 2768-c

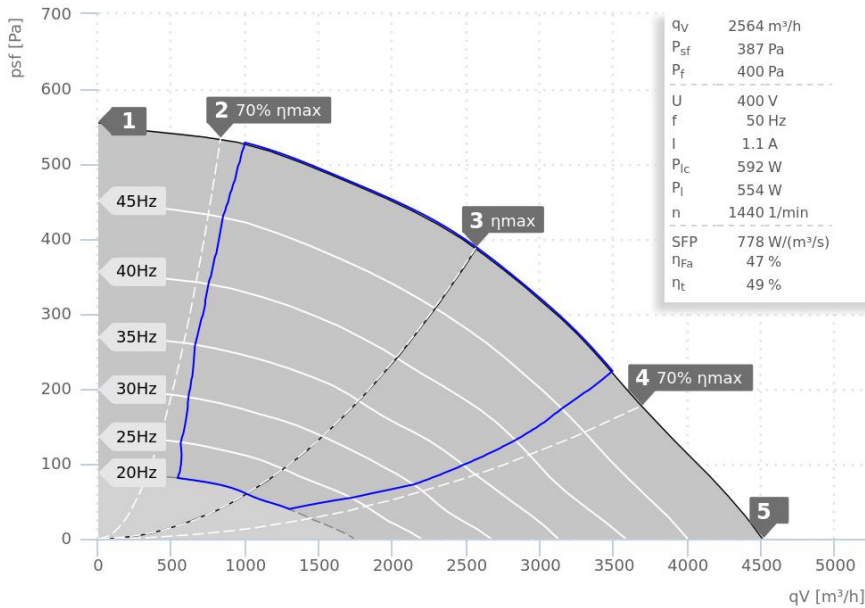
MPC355D4F4TI30

146675 01

VENTAS
VENTILATORER

DATA SHEET

MPC 400 D4 F4 TI 30 | 146679



— ErP compliant range

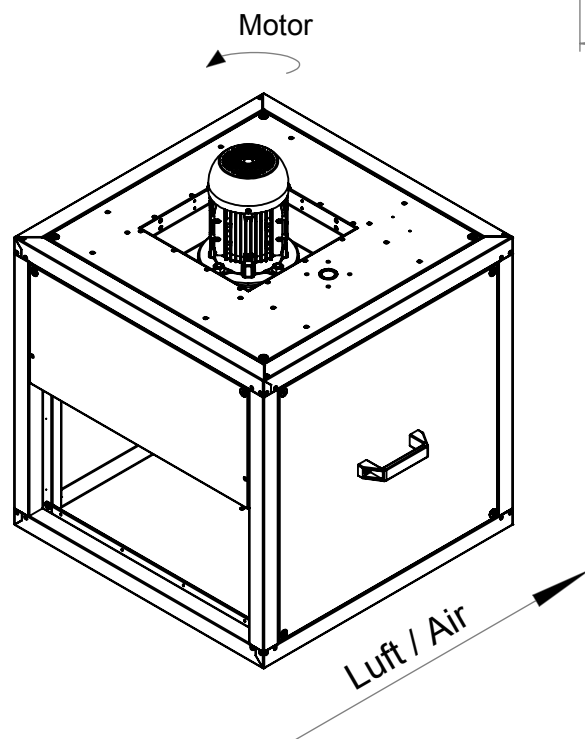
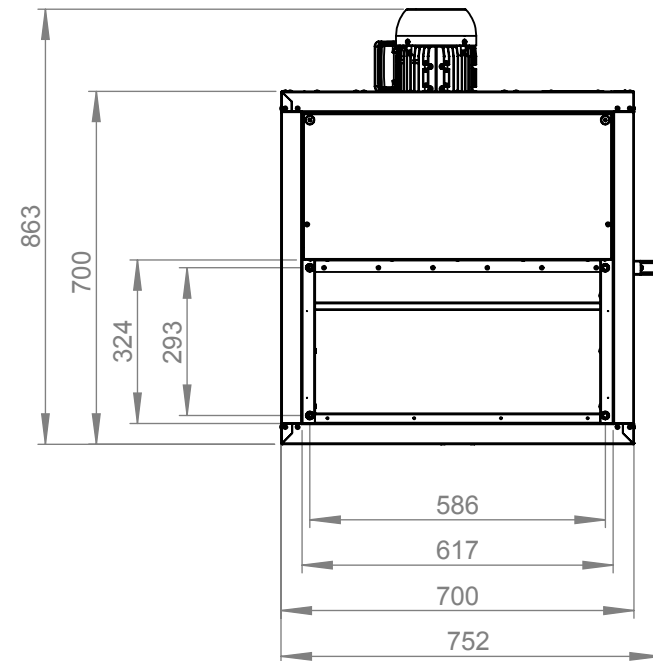
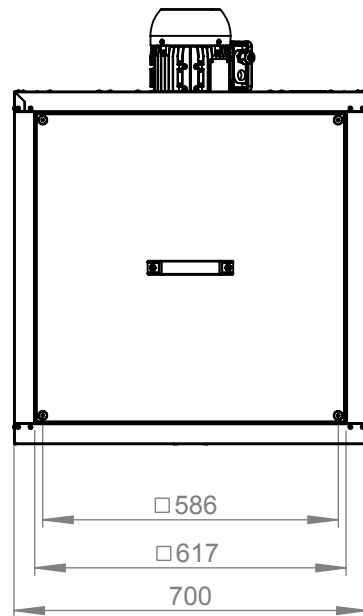
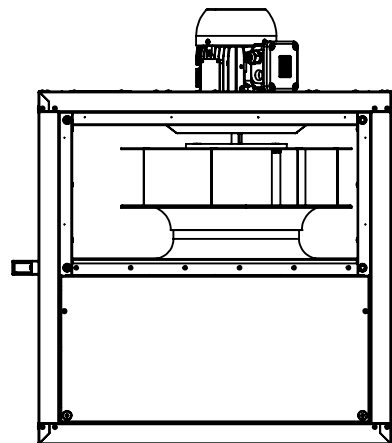


- 200 °C continuous operation and 400 °C / 120 min.
- Linear airflow
- Galvanized sheet steel double wall casing
- Motor outside of air stream
- Speed controllable
- Bottom pan with drain
- 30 mm insulation
- Certified according to EN 12101-3:2015 with Certificate 1404-CPR-3072
- Star-Delta operation possible
- Star: direct 400V 3~ grid or frequency converter with 400V output
- Delta: direct 230V 3~ grid or frequency converter with 230V 1~ input and 230V 3~ output
- Frequency converter with Fire-Mode function (optional)

Operating Point		1	2	3	4	5
Current I	A	0,8	0,9	1,1	1,0	1,0
Power consumption P _I	W	229	360	557	521	447
Rotation speed n	1/min	1475	1465	1443	1449	1457
SWL inlet L _{WA5}	dB(A)	71	71	72	77	81
SWL outlet L _{WA6}	dB(A)	76	76	80	83	87
SWL housing break out L _{WA2}	dB(A)	65	66	68	69	71

Sound power (L _W) dB(A)		Medium Frequency Band								
		Σ	63	125	250	500	1k	2k	4k	8k
Inlet	L _{WA5}	72	47	63	61	65	69	64	59	56
Outlet	L _{WA6}	80	42	71	73	73	75	69	64	60
Housing radiation	L _{WA2}	68	43	60	57	54	67	53	47	39

MPC 400 D4 F4 TI 30 146679	
Voltage U _N	400 V 3~
Current I _{max}	1,1 A
Ambient temperature t _A	60 °C
Conveyed medium temperature t _M	200 °C
Speed Control	f
Motor protection	-
Insulation class motor	F
Weight	74,0 kg
Number of poles	4
IP motor	IP55
IP terminal box	-
IP complete unit	-
Min. operating temperature	-20 °C



ruck^{eu}
VENTILATOREN
ruck Ventilatoren
Max-Planck-Str. 5
D-97944 Boxberg



Protection Mark
according to ISO 16016
Created s.pop
Drawn s.pop
Released d.hancu
Disabled

1:15 A4 mm

General tolerances
DIN ISO 2768-c

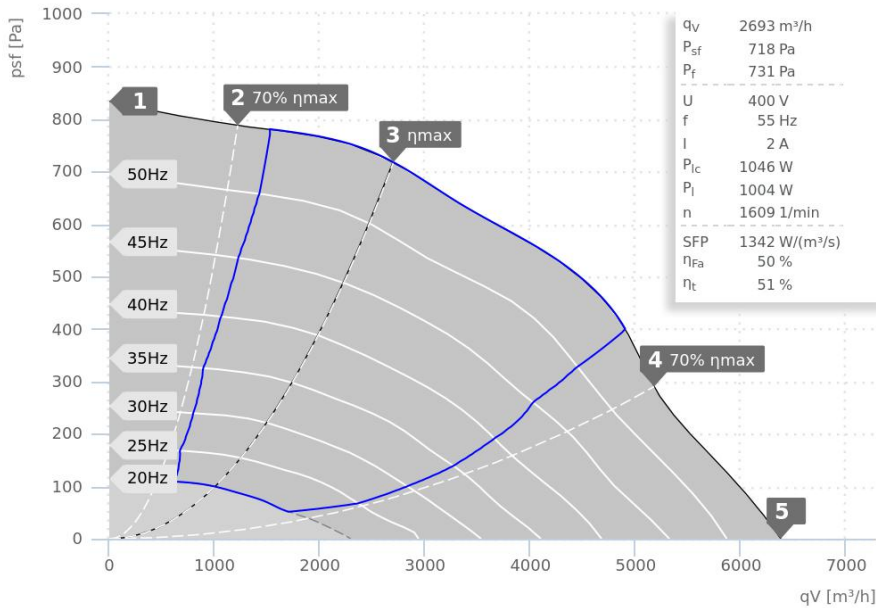
MPC400D4F4TI30

146679 01

VENTAS
VENTILATOREN

DATA SHEET

MPC 450 D4 F4 TI 30 | 146696



— ErP compliant range

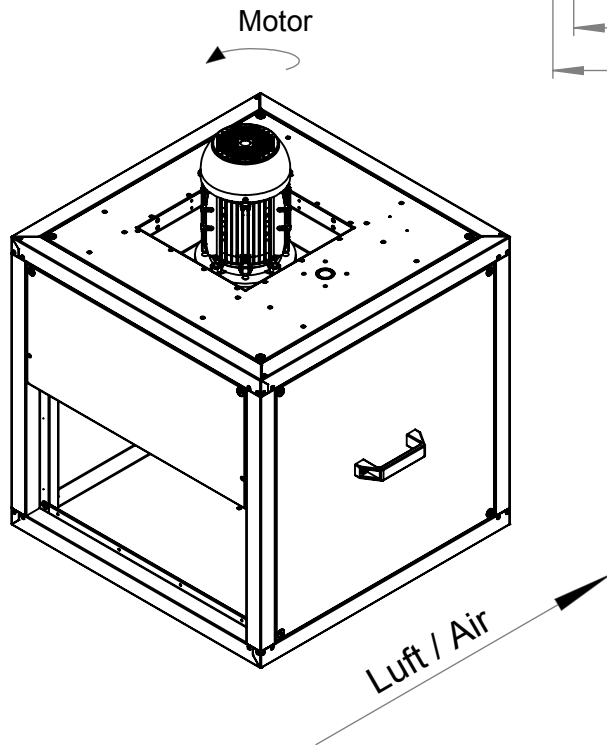
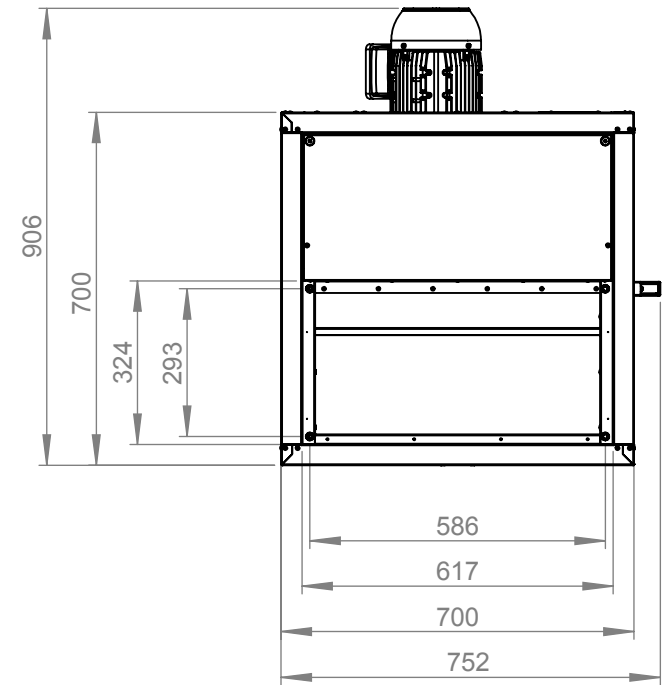
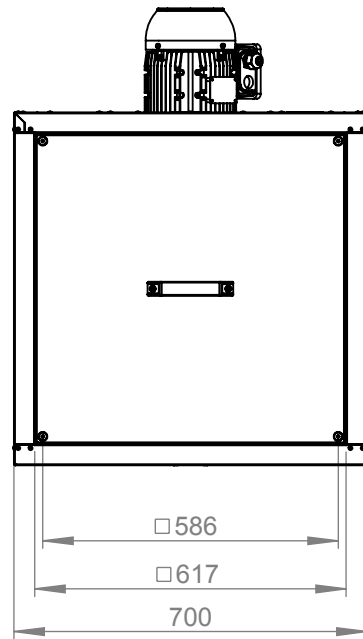
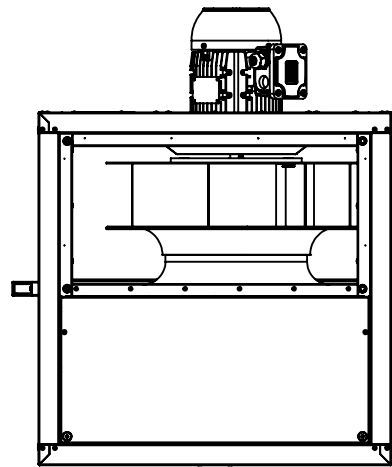


- 200 °C continuous operation and 400 °C / 120 min.
- Linear airflow
- Galvanized sheet steel double wall casing
- Motor outside of air stream
- Speed controllable
- Bottom pan with drain
- 30 mm insulation
- Certified according to EN 12101-3:2015 with Certificate 1404-CPR-3072
- Star-Delta operation possible
- Star: direct 400V 3~ grid or frequency converter with 400V output
- Delta: direct 230V 3~ grid or frequency converter with 230V 1~ input and 230V 3~ output
- Frequency converter with Fire-Mode function (optional)

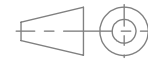
Operating Point		1	2	3	4	5
Current I	A	1,4	1,7	2,0	2,2	2,0
Power consumption P _i	W	435	726	1005	1118	1021
Rotation speed n	1/min	1632	1622	1609	1608	1612
SWL inlet L _{WA5}	dB(A)	78	78	78	84	87
SWL outlet L _{WA6}	dB(A)	85	84	85	91	93
SWL housing break out L _{WA2}	dB(A)	69	70	70	73	75

Sound power (L _W) dB(A)		Medium Frequency Band								
		Σ	63	125	250	500	1k	2k	4k	8k
Inlet	L _{WA5}	78	53	68	73	70	72	71	67	63
Outlet	L _{WA6}	85	52	70	78	78	79	77	73	67
Housing radiation	L _{WA2}	70	51	60	64	61	64	59	52	61

MPC 450 D4 F4 TI 30 146696	
Voltage U _N	400 V 3~
Current I _{max}	2,4 A
Ambient temperature t _A	60 °C
Conveyed medium temperature t _M	200 °C
Speed Control	f
Motor protection	-
Insulation class motor	F
Weight	82,5 kg
Number of poles	4
IP motor	IP55
IP terminal box	-
IP complete unit	-
Min. operating temperature	-20 °C



ruck^{eu}
VENTILATOREN
ruck Ventilatoren
Max-Planck-Str. 5
D-97944 Boxberg



Protection Mark
according to ISO 16016
Created s.pop
Drawn s.pop
Released d.hancu
Disabled

1:15 A4 mm

General tolerances
DIN ISO 2768-c

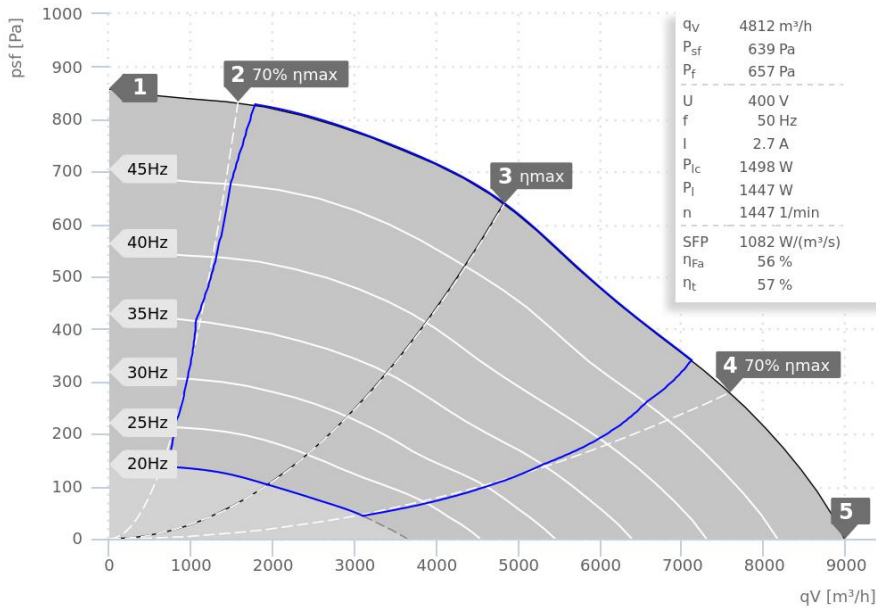
MPC450D4F4TI30

146696 01

VENTAS
VENTILATORER

DATA SHEET

MPC 500 D4 F4 TI 30 | 146700



— ErP compliant range

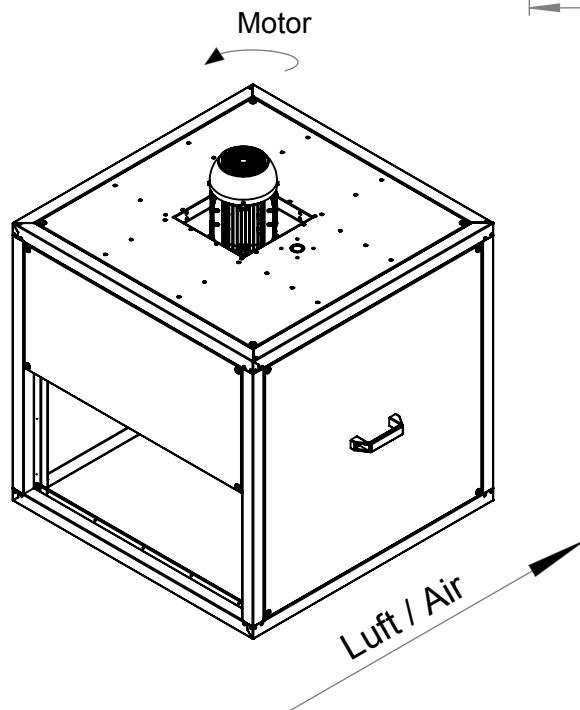
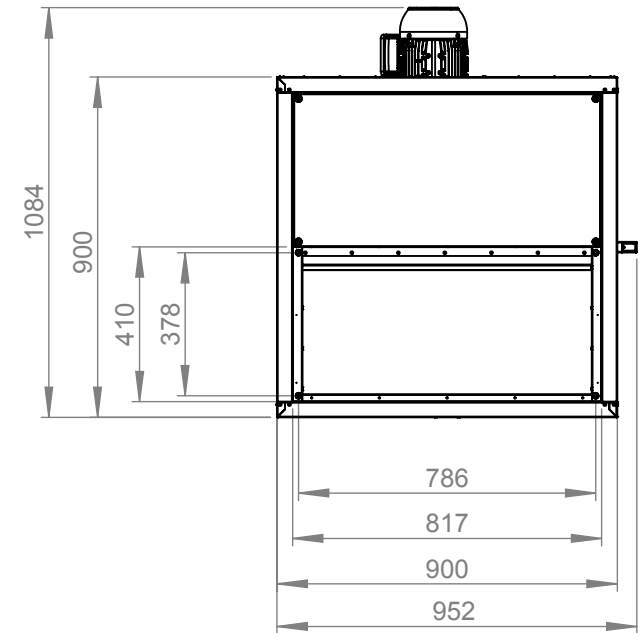
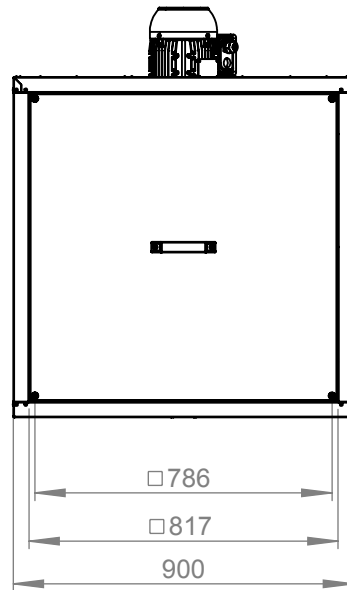
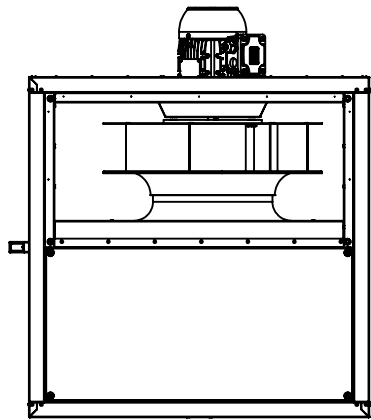


- 200 °C continuous operation and 400 °C / 120 min.
- Linear airflow
- Galvanized sheet steel double wall casing
- Motor outside of air stream
- Speed controllable
- Bottom pan with drain
- 30 mm insulation
- Certified according to EN 12101-3:2015 with Certificate 1404-CPR-3072
- Star-Delta operation possible
- Star: direct 400V 3~ grid or frequency converter with 400V output
- Delta: direct 230V 3~ grid or frequency converter with 230V 1~ input and 230V 3~ output
- Frequency converter with Fire-Mode function (optional)

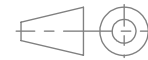
Operating Point		1	2	3	4	5
Current I	A	1,7	2,0	2,7	2,7	2,3
Power consumption P _i	W	496	880	1444	1417	1151
Rotation speed n	1/min	1481	1470	1446	1451	1462
SWL inlet L _{WA5}	dB(A)	78	78	79	84	86
SWL outlet L _{WA6}	dB(A)	82	82	85	90	92
SWL housing break out L _{WA2}	dB(A)	70	71	74	75	76

Sound power (L _W) dB(A)		Medium Frequency Band								
		Σ	63	125	250	500	1k	2k	4k	8k
Inlet	L _{WA5}	79	53	67	70	71	74	72	66	60
Outlet	L _{WA6}	85	51	72	77	78	80	77	73	65
Housing radiation	L _{WA2}	74	47	65	63	65	72	61	53	44

MPC 500 D4 F4 TI 30 146700	
Voltage U _N	400 V 3~
Current I _{max}	2,9 A
Ambient temperature t _A	60 °C
Conveyed medium temperature t _M	200 °C
Speed Control	f
Motor protection	-
Insulation class motor	F
Weight	120,0 kg
Number of poles	4
IP motor	IP55
IP terminal box	-
IP complete unit	-
Min. operating temperature	-20 °C



ruck^{eu}
VENTILATOREN
ruck Ventilatoren
Max-Planck-Str. 5
D-97944 Boxberg



Protection Mark
according to ISO16016
Created s.pop
Drawn s.pop
Released d.hancu
Disabled

1:20 A4 mm

General tolerances
DIN ISO 2768-c

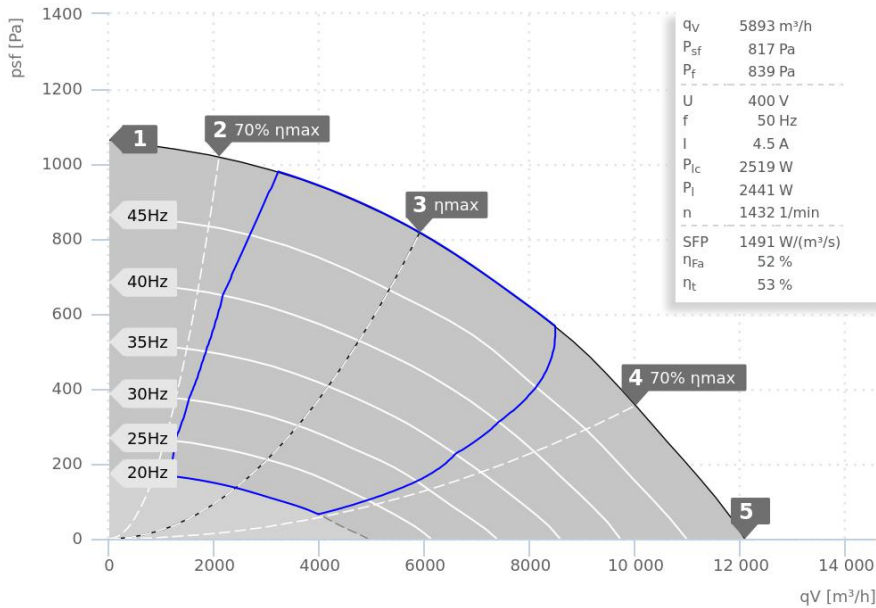
MPC500D4F4TI30

146700 01

VENTAS
VENTILATOREN

DATA SHEET

MPC 560 D4 F4 TI 30 | 146711



— ErP compliant range

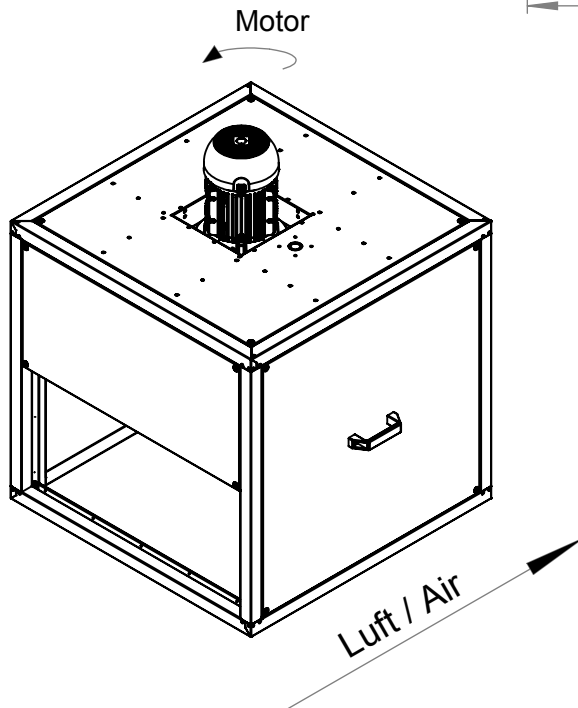
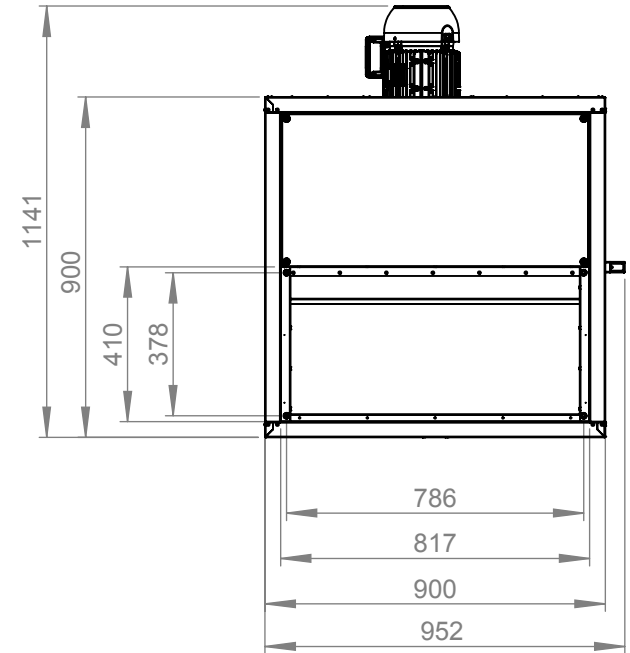
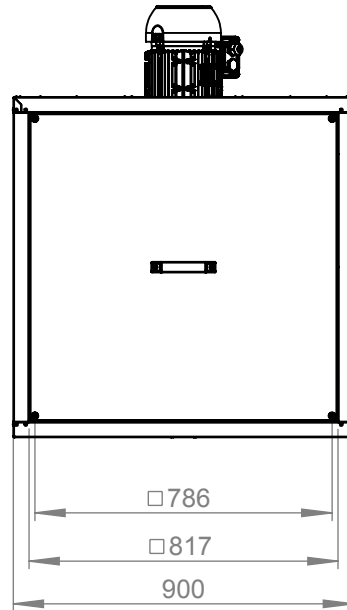
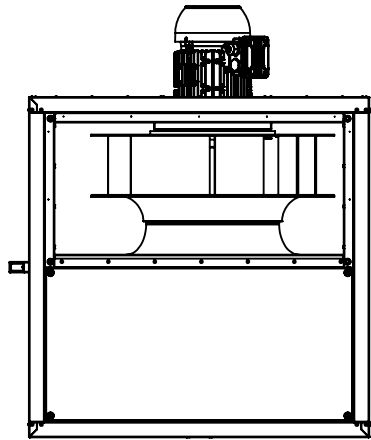


- 200 °C continuous operation and 400 °C / 120 min.
- Linear airflow
- Galvanized sheet steel double wall casing
- Motor outside of air stream
- Speed controllable
- Bottom pan with drain
- 30 mm insulation
- Certified according to EN 12101-3:2015 with Certificate 1404-CPR-3072
- Star-Delta operation possible
- Star: direct 400V 3~ grid or frequency converter with 400V output
- Delta: direct 230V 3~ grid or frequency converter with 230V 1~ input and 230V 3~ output
- Frequency converter with Fire-Mode function (optional)

Operating Point		1	2	3	4	5
Current I	A	2,7	3,3	4,5	4,7	4,2
Power consumption P _i	W	906	1544	2448	2560	2195
Rotation speed n	1/min	1471	1458	1433	1431	1444
SWL inlet L _{WA5}	dB(A)	81	81	80	87	89
SWL outlet L _{WA6}	dB(A)	87	87	88	93	96
SWL housing break out L _{WA2}	dB(A)	71	72	75	79	78

Sound power (L _W) dB(A)		Medium Frequency Band								
		Σ	63	125	250	500	1k	2k	4k	8k
Inlet	L _{WA5}	80	56	68	69	73	76	74	69	64
Outlet	L _{WA6}	88	56	75	79	81	83	82	78	69
Housing radiation	L _{WA2}	75	51	72	62	65	69	61	57	48

MPC 560 D4 F4 TI 30 146711	
Voltage U _N	400 V 3~
Current I _{max}	5,0 A
Ambient temperature t _A	60 °C
Conveyed medium temperature t _M	200 °C
Speed Control	f
Motor protection	-
Insulation class motor	F
Weight	144,0 kg
Number of poles	4
IP motor	IP55
IP terminal box	-
IP complete unit	-
Min. operating temperature	-20 °C



ruck
VENTILATOREN
ruck Ventilatoren
Max-Planck-Str. 5
D-97944 Boxberg



Protection Mark
according to ISO 16016
Created s.pop
Drawn s.pop
Released d.hancu
Disabled

1:20 A4 mm

General tolerances
DIN ISO 2768-c

13.06.2018
13.06.2018
14.02.2019

MPC560D4F4TI30

146711 01

VENTAS
VENTILATORER