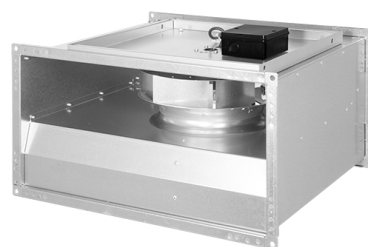
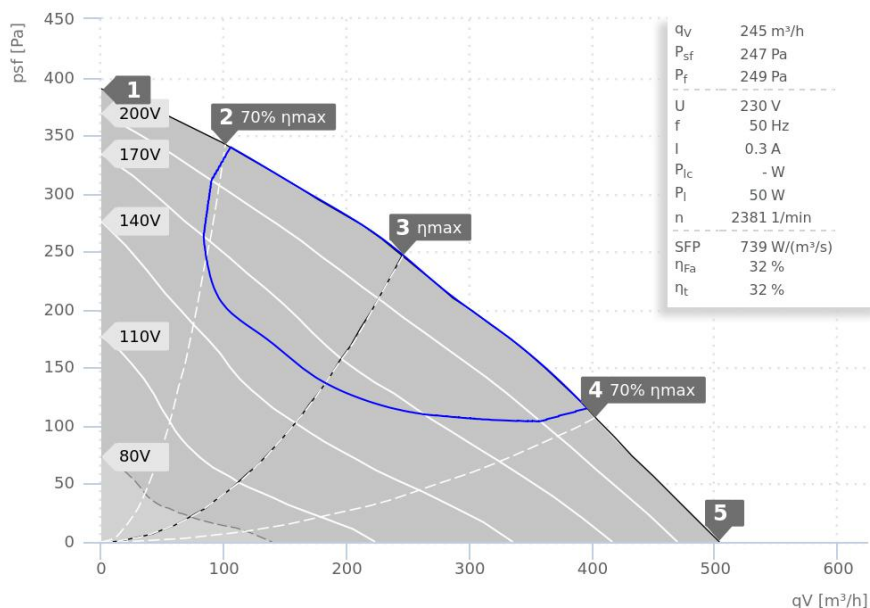


DATA SHEET

KVR 3015 E2 40 | 135000



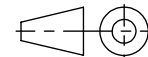
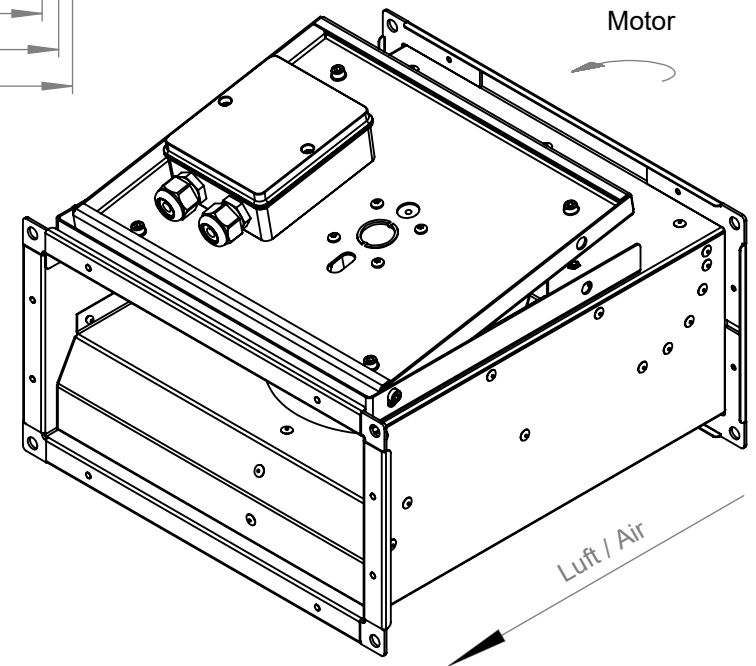
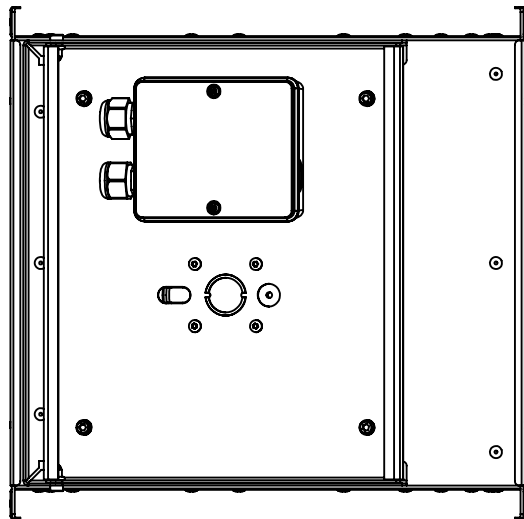
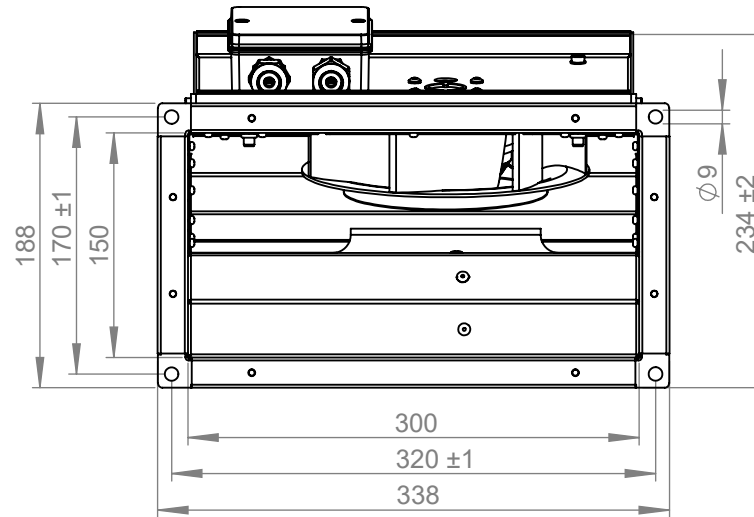
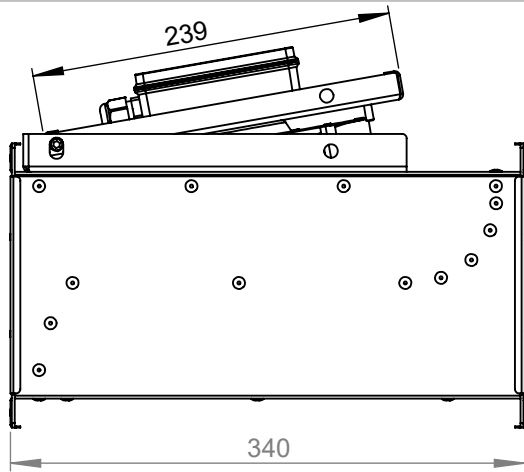
- Backward curved centrifugal fan
- Galvanized metal housing
- Speed controllable
- Integrated thermostatic switch
- Fan section removable

— ErP compliant range

Operating Point		1	2	3	4	5
Current I	A	0,3	0,3	0,3	0,3	0,3
Power consumption P_1	W	36	43	50	50	47
Rotation speed n	1/min	2703	2570	2382	2406	2468
SWL inlet L_{WA5}	dB(A)	66	66	65	67	72
SWL outlet L_{WA6}	dB(A)	69	68	68	71	74
SWL housing break out L_{WA2}	dB(A)	56	55	54	55	58

Sound power (L_W) dB(A)		Medium Frequency Band								
		Σ	63	125	250	500	1k	2k	4k	8k
Inlet	L_{WA5}	65	30	44	59	56	57	58	56	48
Outlet	L_{WA6}	68	27	40	60	60	62	62	59	50
Housing radiation	L_{WA2}	54	27	42	50	49	42	41	37	28

KVR 3015 E2 40 135000	
Voltage U_N	230 V 1~
Current I_{max}	0,3 A
Ambient temperature t_A	70 °C
Conveyed medium temperature t_M	70 °C
Speed Control	V
Motor protection	TMI
Insulation class motor	F
Weight	6,1 kg
Number of poles	2
IP motor	IP33
IP terminal box	IP44
IP complete unit	IPX4
Min. operating temperature	-25 °C



1:5 A4 mm

ruck^{EU}
VENTILATOREN

ruck Ventilatoren
Max-Planck-Str. 5
D-97944 Boxberg

Protection Mark
according to ISO16016

Drawn: s.pop
Created: s.pop
Changed:

General tolerances
DIN ISO 2768-c

17.12.2015
17.12.2015

KVR03015E240

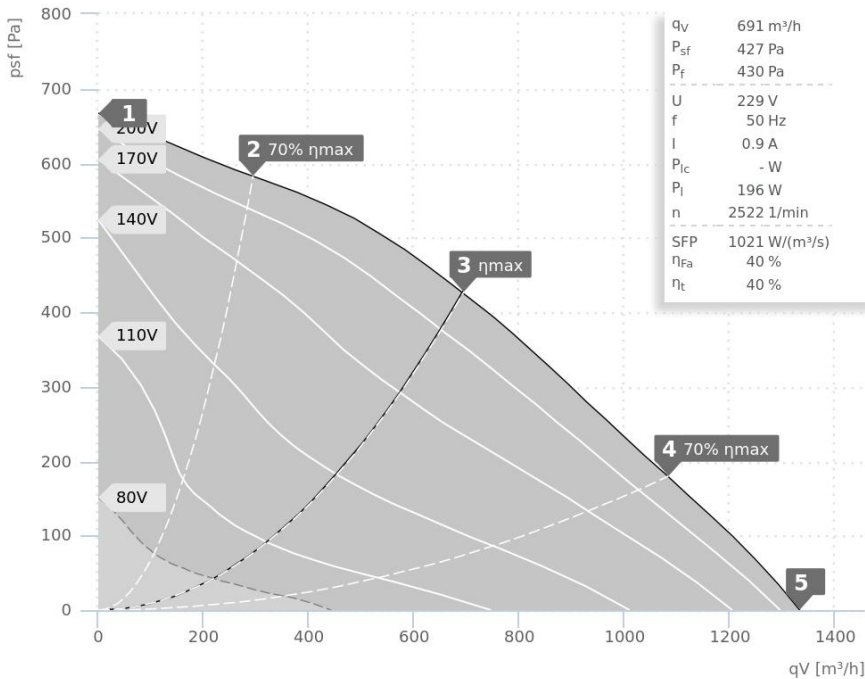
135000 00

VENTAS
VENTILATORER

DATA SHEET

ruck.eu
VENTILATOREN

KVR 4020 E2 20 | 131303

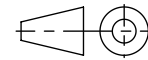
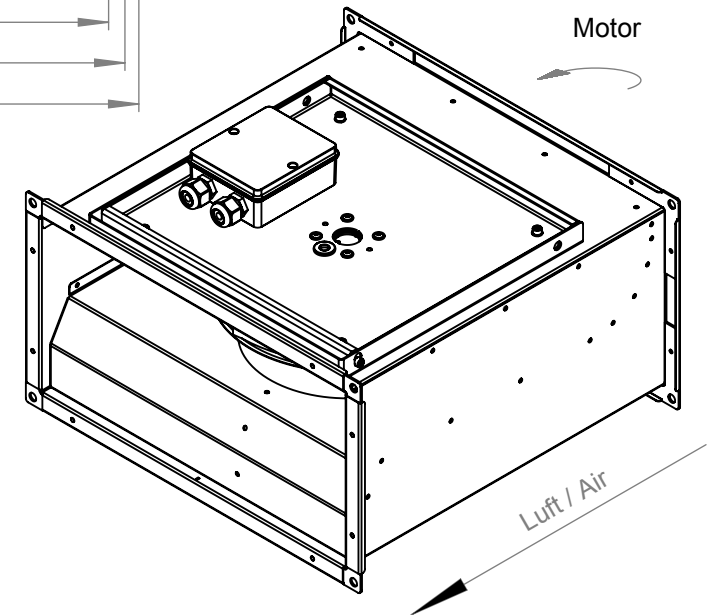
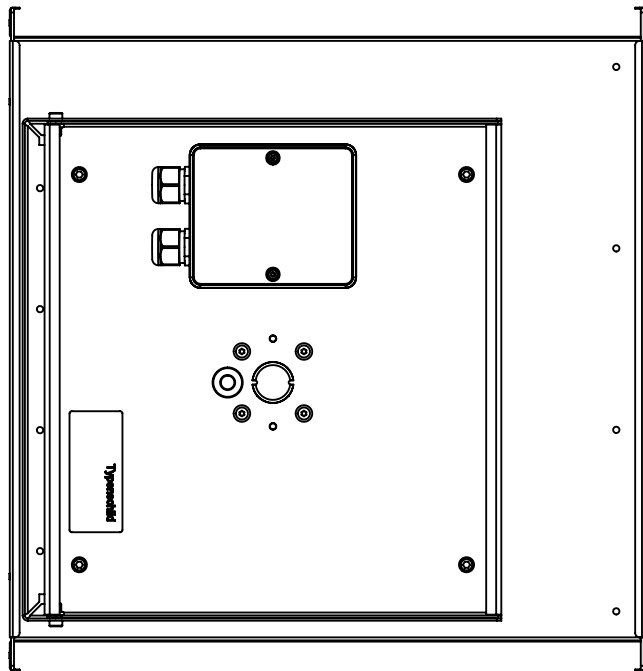
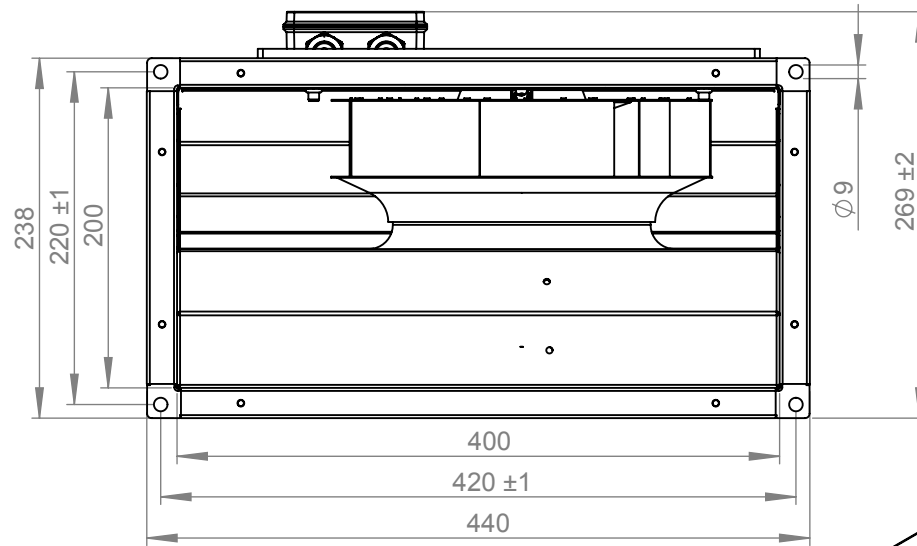
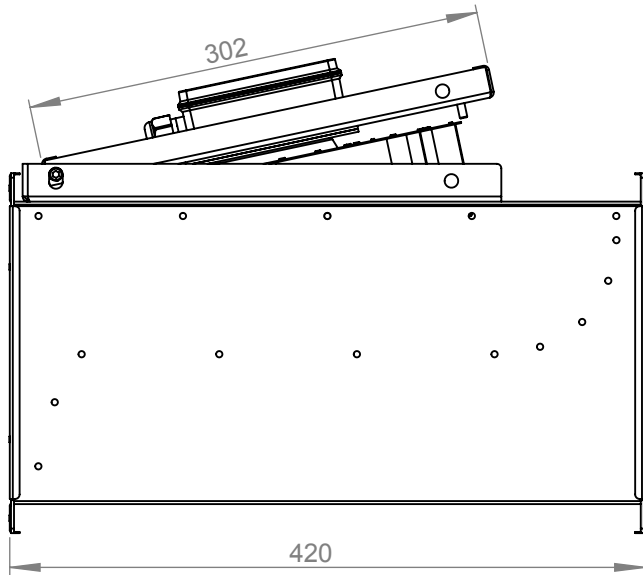


- Backward curved centrifugal fan
- Galvanized metal housing
- Speed controllable
- Integrated thermostatic switch
- Fan section removable

Operating Point		1	2	3	4	5
Current I	A	0,6	0,8	0,9	0,8	0,7
Power consumption P _i	W	130	165	196	182	160
Rotation speed n	1/min	2785	2643	2525	2590	2672
SWL inlet L _{WA5}	dB(A)	77	77	80	86	91
SWL outlet L _{WA6}	dB(A)	80	79	81	86	89
SWL housing break out L _{WA2}	dB(A)	68	66	69	74	79

Sound power (L _W) dB(A)		Medium Frequency Band								
		Σ	63	125	250	500	1k	2k	4k	8k
Inlet	L _{WA5}	80	44	55	78	67	70	67	69	67
Outlet	L _{WA6}	81	41	56	75	75	74	74	70	67
Housing radiation	L _{WA2}	69	37	49	68	59	53	52	50	47

KVR 4020 E2 20 131303	
Voltage U _N	230 V 1~
Current I _{max}	0,9 A
Ambient temperature t _A	65 °C
Conveyed medium temperature t _M	65 °C
Speed Control	V
Motor protection	TAI
Insulation class motor	F
Weight	10,4 kg
Number of poles	2
IP motor	IP33
IP terminal box	IP44
IP complete unit	IPX4
Min. operating temperature	-25 °C



1:10 A4 mm

ruck^{EU}
VENTILATOREN

Protection Mark
according to ISO16016

General tolerances
DIN ISO 2768-c

KVR04020E220

ruck Ventilatoren
Max-Planck-Str. 5
D-97944 Boxberg

Drawn: p.guti
Created: d.ursu
Changed: p.guti

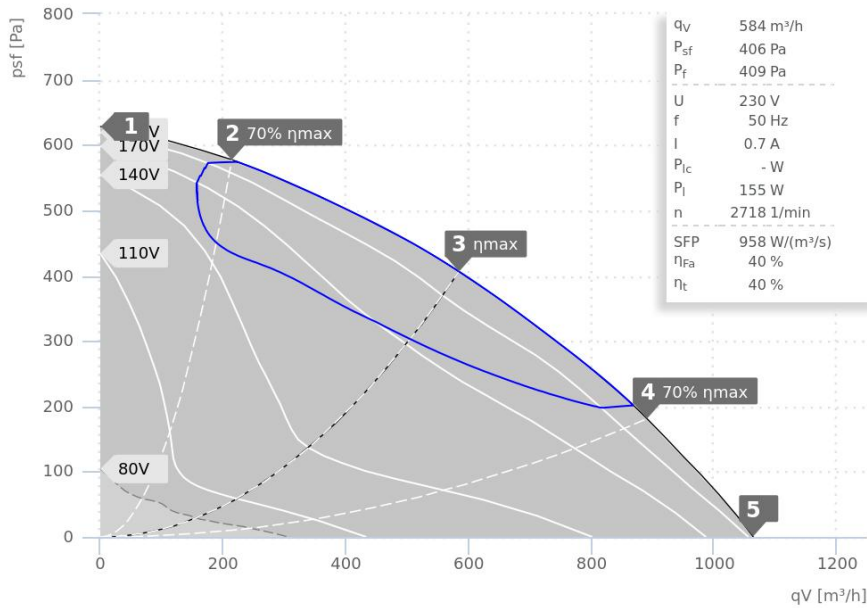
08.12.14
29.10.14
09.12.14

131303 00

VENTAS
VENTILATORER

DATA SHEET

KVR 4020 E2 30 | 145647



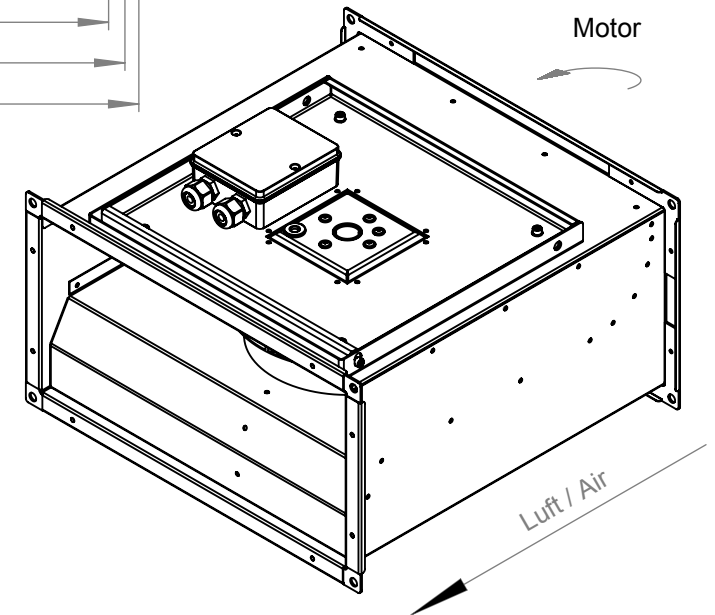
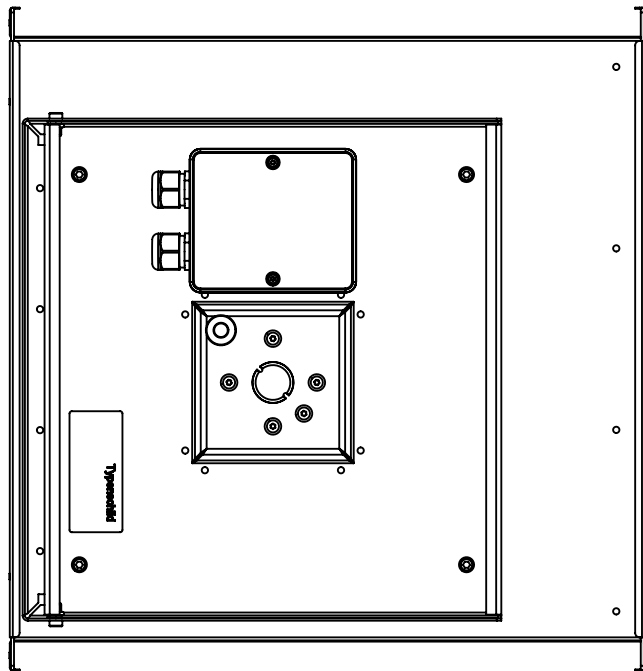
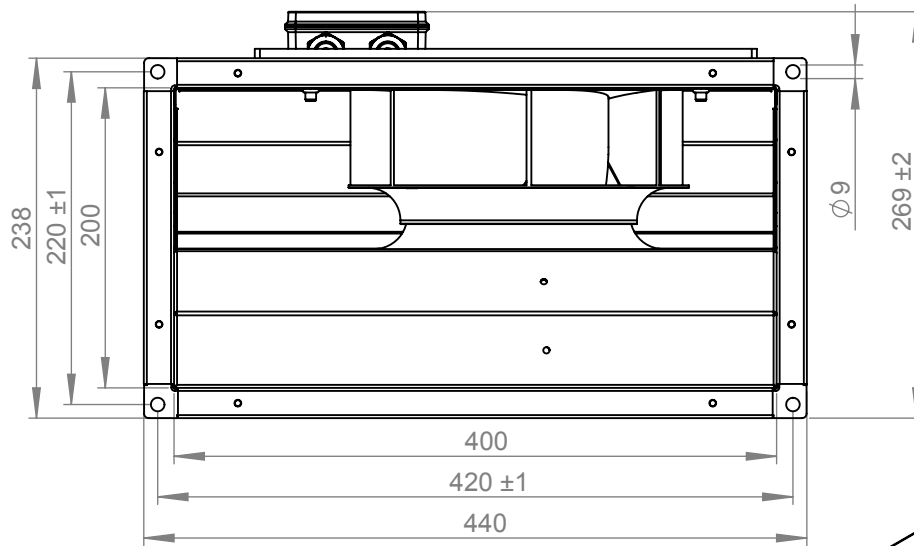
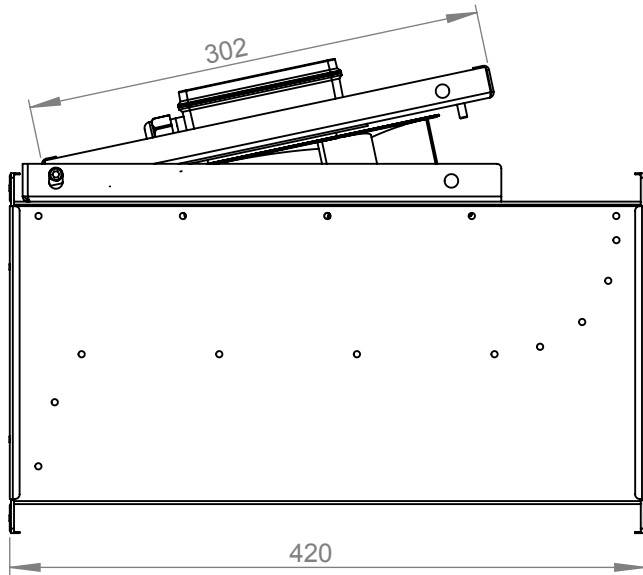
- Backward curved centrifugal fan
- Galvanized metal housing
- Speed controllable
- Integrated thermostatic switch
- Fan section removable

— ErP compliant range

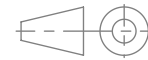
Operating Point		1	2	3	4	5
Current I	A	0,4	0,5	0,7	0,7	0,6
Power consumption P_l	W	91	116	155	150	134
Rotation speed n	1/min	2889	2826	2718	2744	2787
SWL inlet L_{WA5}	dB(A)	76	76	77	83	83
SWL outlet L_{WA6}	dB(A)	79	79	78	83	85
SWL housing break out L_{WA2}	dB(A)	64	63	63	67	71

Sound power (L_W) dB(A)		Medium Frequency Band								
		Σ	63	125	250	500	1k	2k	4k	8k
Inlet	L_{WA5}	77	40	59	74	65	68	66	66	60
Outlet	L_{WA6}	78	39	61	70	72	72	72	69	63
Housing radiation	L_{WA2}	63	41	48	60	58	50	47	47	44

KVR 4020 E2 30 145647	
Voltage U_N	230 V 1~
Current I_{max}	0,9 A
Ambient temperature t_A	45 °C
Conveyed medium temperature t_M	45 °C
Speed Control	V
Motor protection	TMI
Insulation class motor	F
Weight	9,8 kg
Number of poles	2
IP motor	IP33
IP terminal box	IP44
IP complete unit	IPX4
Min. operating temperature	-25 °C



ruck Ventilatoren
Max-Planck-Str. 5
D-97944 Boxberg



Protection Mark
according to ISO16016

Drawn: d.hancu
Created: d.hancu
Changed:

1:10 A4 mm

General tolerances
DIN ISO 2768-c

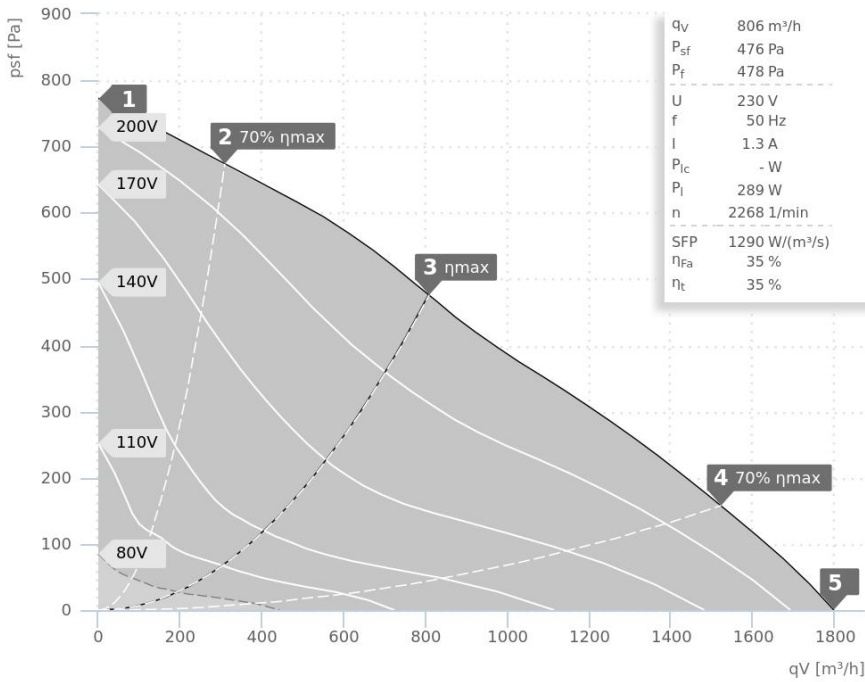
KVR04020E230

145647 00



DATA SHEET

KVR 5025 E2 20 | 131306

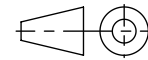
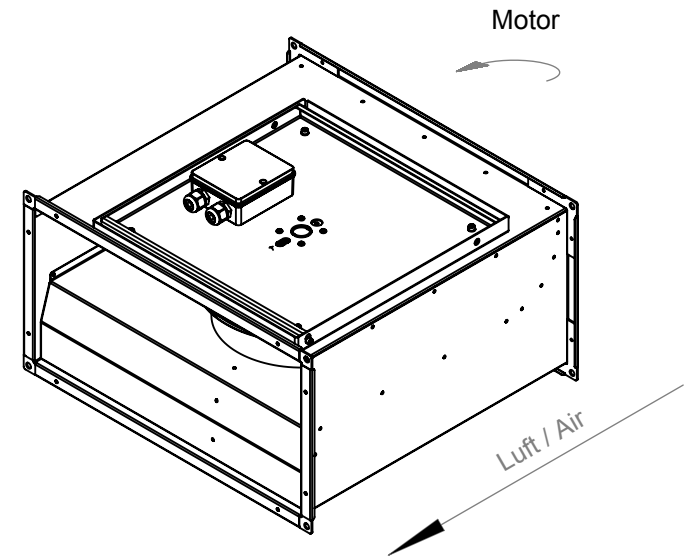
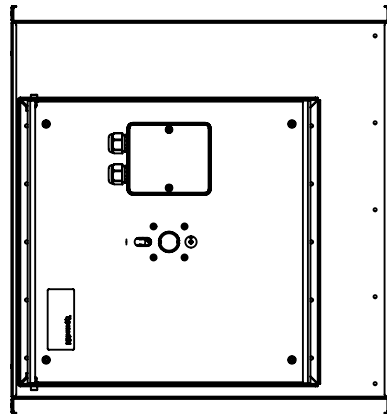
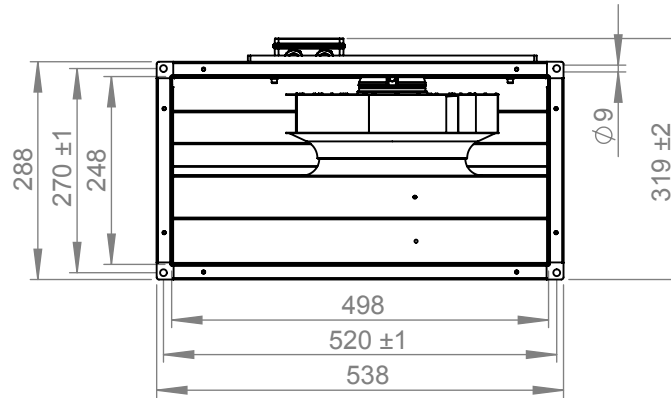
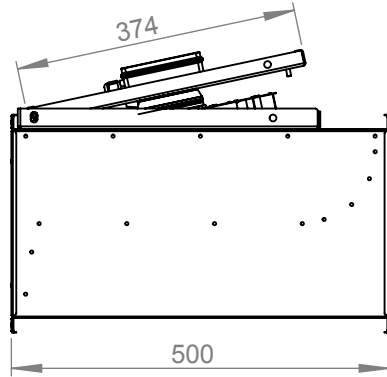


- Backward curved centrifugal fan
- Galvanized metal housing
- Speed controllable
- Integrated thermostatic switch
- Fan section removable

Operating Point		1	2	3	4	5
Current I	A	0,8	1,0	1,3	1,1	1,0
Power consumption P_1	W	169	225	289	256	218
Rotation speed n	1/min	2732	2529	2270	2462	2594
SWL inlet L_{WA5}	dB(A)	79	77	76	84	85
SWL outlet L_{WA6}	dB(A)	81	79	78	85	88
SWL housing break out L_{WA2}	dB(A)	69	68	67	74	75

Sound power (L_W) dB(A)		Medium Frequency Band								
		Σ	63	125	250	500	1k	2k	4k	8k
Inlet	L_{WA5}	76	41	54	71	64	67	66	70	68
Outlet	L_{WA6}	78	32	54	72	71	70	71	69	68
Housing radiation	L_{WA2}	67	34	49	66	53	56	52	49	48

KVR 5025 E2 20 131306	
Voltage U_N	230 V 1~
Current I_{max}	1,4 A
Ambient temperature t_A	45 °C
Conveyed medium temperature t_M	45 °C
Speed Control	V
Motor protection	TAI
Insulation class motor	F
Weight	0,0 kg
Number of poles	2
IP motor	IP33
IP terminal box	IP44
IP complete unit	IPX4
Min. operating temperature	-25 °C



1:10 A4 mm

ruck^{EU}
VENTILATOREN

Protection Mark
according to ISO16016

General tolerances
DIN ISO 2768-c

KVR05025E220

ruck Ventilatoren
Max-Planck-Str. 5
D-97944 Boxberg

Drawn: p.guti
Created: d.ursu
Changed: p.guti

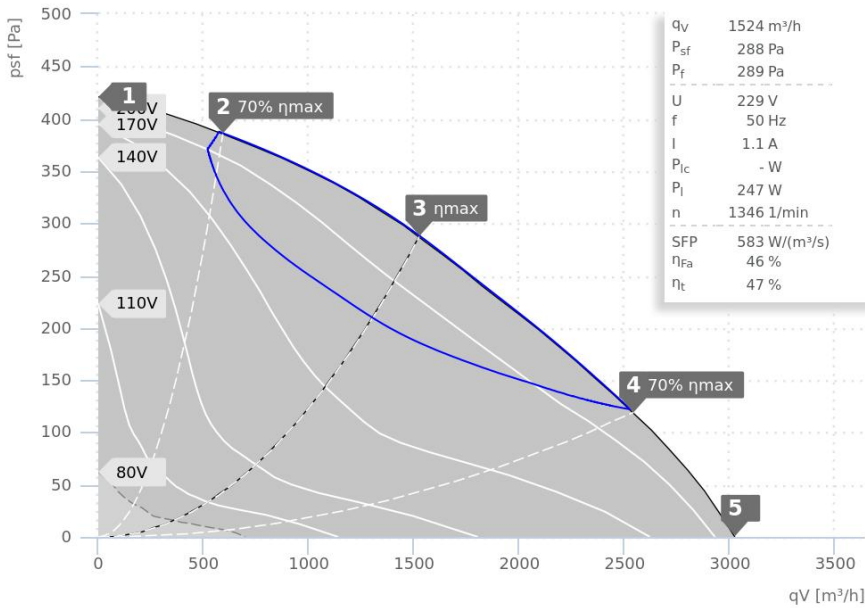
02.12.14
29.10.14
08.12.14

131306 00

VENTAS
VENTILATORER

DATA SHEET

KVR 6035 E4 30 | 131309



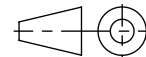
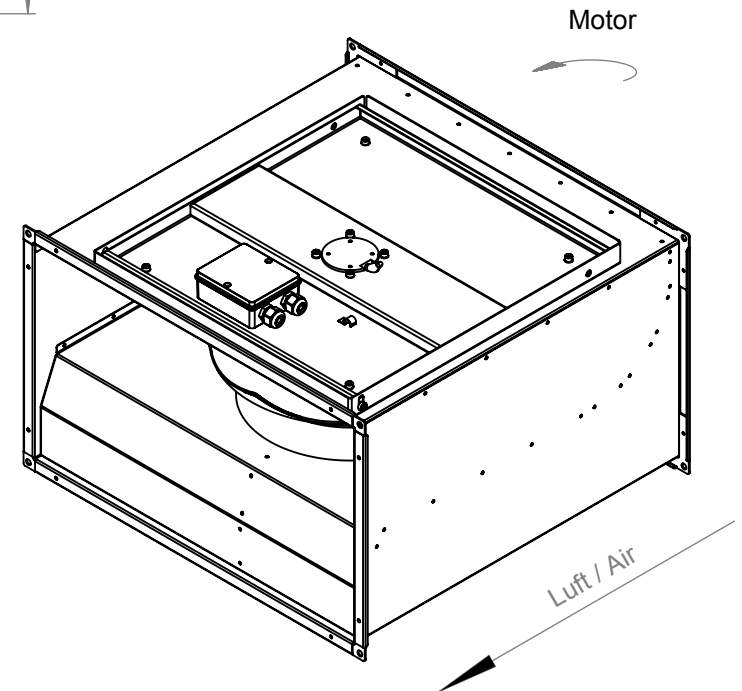
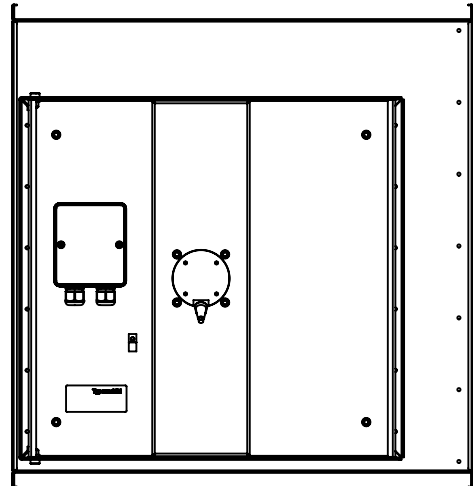
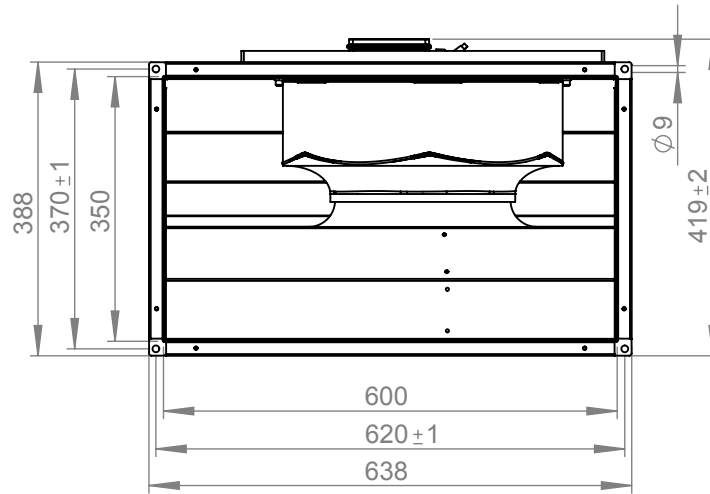
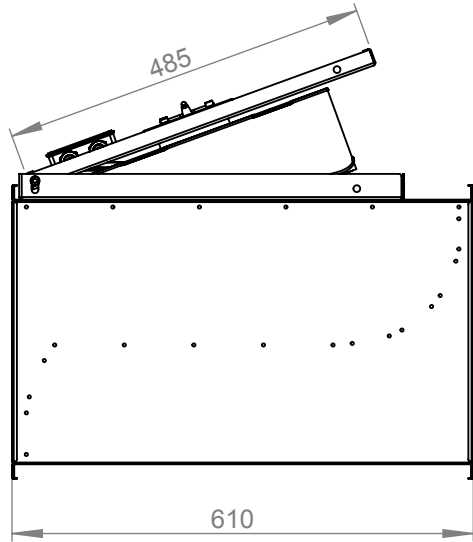
- Backward curved centrifugal fan
- Galvanized metal housing
- Speed controllable
- Integrated thermostatic switch
- Fan section removable

— ErP compliant range

Operating Point		1	2	3	4	5
Current I	A	0,7	0,9	1,1	1,1	0,9
Power consumption P _l	W	134	187	247	240	202
Rotation speed n	1/min	1453	1410	1348	1364	1401
SWL inlet L _{WA5}	dB(A)	67	65	69	74	76
SWL outlet L _{WA6}	dB(A)	71	69	71	78	81
SWL housing break out L _{WA2}	dB(A)	63	61	61	67	69

Sound power (L _W) dB(A)		Medium Frequency Band								
		Σ	63	125	250	500	1k	2k	4k	8k
Inlet	L _{WA5}	69	38	68	59	57	57	54	49	41
Outlet	L _{WA6}	71	40	68	62	63	63	57	51	43
Housing radiation	L _{WA2}	61	39	59	53	52	49	46	43	38

KVR 6035 E4 30 131309	
Voltage U _N	230 V 1~
Current I _{max}	1,4 A
Ambient temperature t _A	40 °C
Conveyed medium temperature t _M	40 °C
Speed Control	V
Motor protection	TAI
Insulation class motor	F
Weight	24,0 kg
Number of poles	4
IP motor	IP44
IP terminal box	IP44
IP complete unit	IPX4
Min. operating temperature	-25 °C



1:10 A4 mm

ruck^{EU}
VENTILATOREN

ruck Ventilatoren
Max-Planck-Str. 5
D-97944 Boxberg

Protection Mark
according to ISO16016

Drawn: d.ursu
Created: d.ursu
Changed: d.ursu

General tolerances
DIN ISO 2768-c

17.11.14
29.10.14
17.11.14

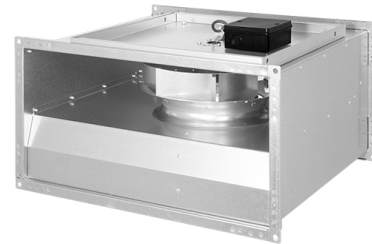
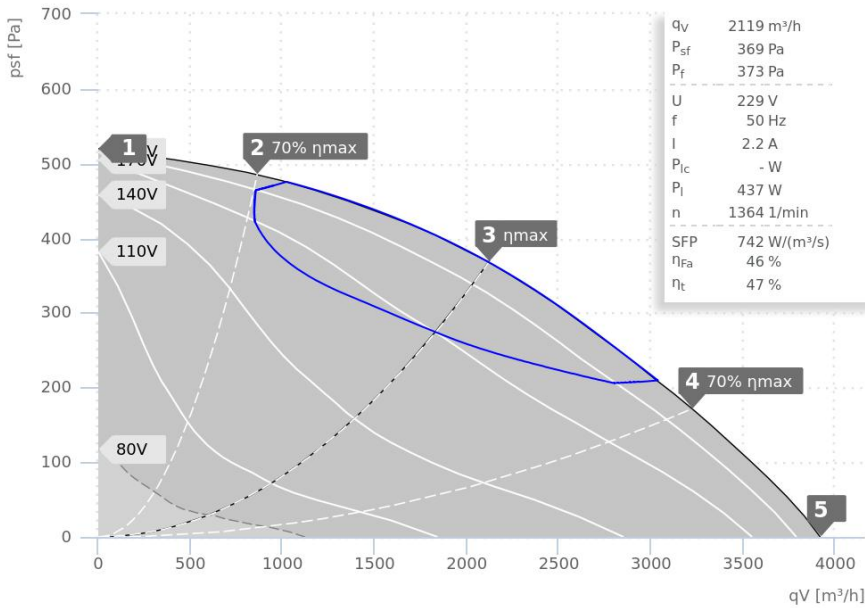
KVR06035E430

131309 00

VENTAS
VENTILATORER

DATA SHEET

KVR 6035 E4 31 | 131312



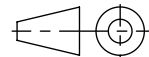
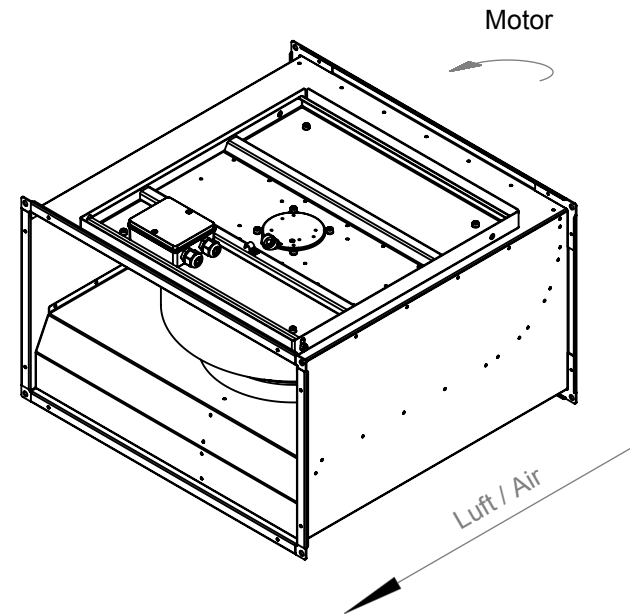
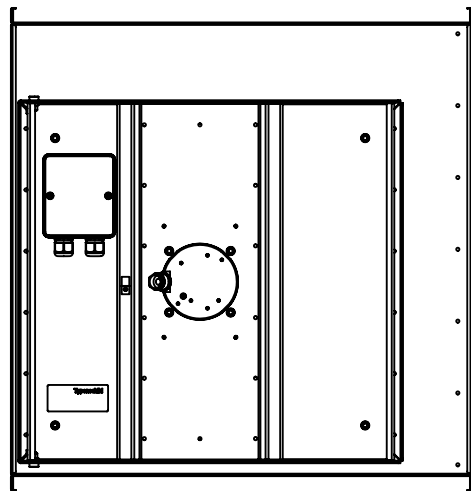
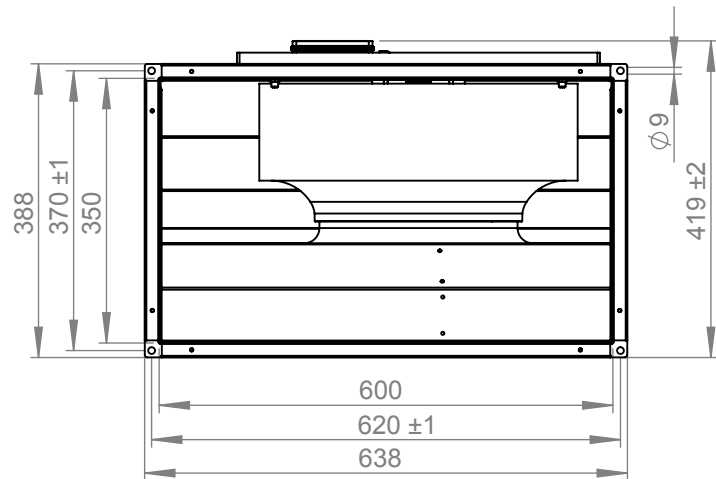
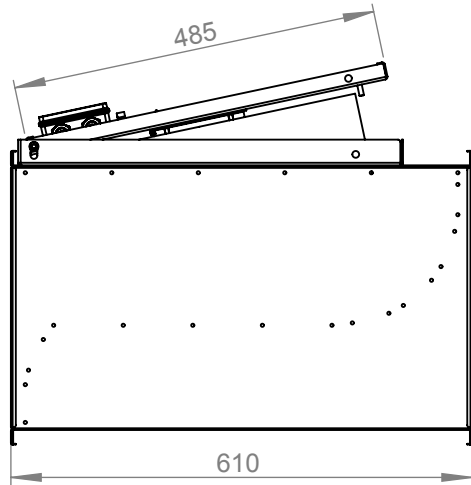
- Backward curved centrifugal fan
- Galvanized metal housing
- Speed controllable
- Integrated thermostatic switch
- Fan section removable

— ErP compliant range

Operating Point		1	2	3	4	5
Current I	A	1,6	1,8	2,2	2,2	2,0
Power consumption P _I	W	248	341	438	442	389
Rotation speed n	1/min	1448	1411	1367	1369	1393
SWL inlet L _{WA5}	dB(A)	72	71	72	79	81
SWL outlet L _{WA6}	dB(A)	78	77	80	84	87
SWL housing break out L _{WA2}	dB(A)	70	69	69	72	74

Sound power (L _W) dB(A)		Σ	Medium Frequency Band							
			63	125	250	500	1k	2k	4k	8k
Inlet	L _{WA5}	72	41	70	62	62	62	60	59	50
Outlet	L _{WA6}	80	45	78	68	70	70	65	62	53
Housing radiation	L _{WA2}	69	50	66	60	58	57	59	57	49

KVR 6035 E4 31 131312	
Voltage U _N	230 V 1~
Current I _{max}	3,1 A
Ambient temperature t _A	65 °C
Conveyed medium temperature t _M	65 °C
Speed Control	V
Motor protection	TAO
Insulation class motor	F
Weight	28,1 kg
Number of poles	4
IP motor	IP54
IP terminal box	IP44
IP complete unit	IPX4
Min. operating temperature	-25 °C



1:20 A4 mm

ruck^{EU}
VENTILATOREN

ruck Ventilatoren
Max-Planck-Str. 5
D-97944 Boxberg

Protection Mark
according to ISO16016

Drawn: d.ursu
Created: d.ursu
Changed:

General tolerances
DIN ISO 2768-c

28.11.14
29.10.14

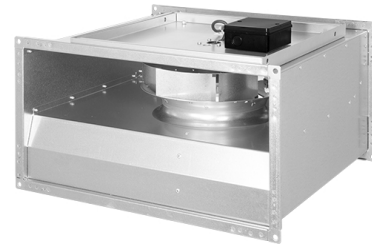
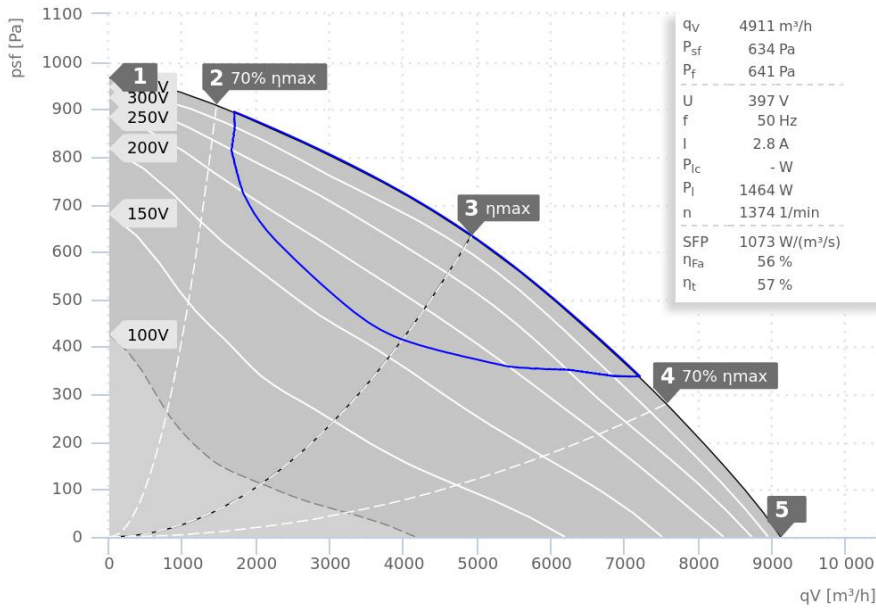
KVR06035E431

131312 00

VENTAS
VENTILATOREN

DATA SHEET

KVR 8050 D4 30 | 131320



SALE OUT

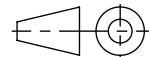
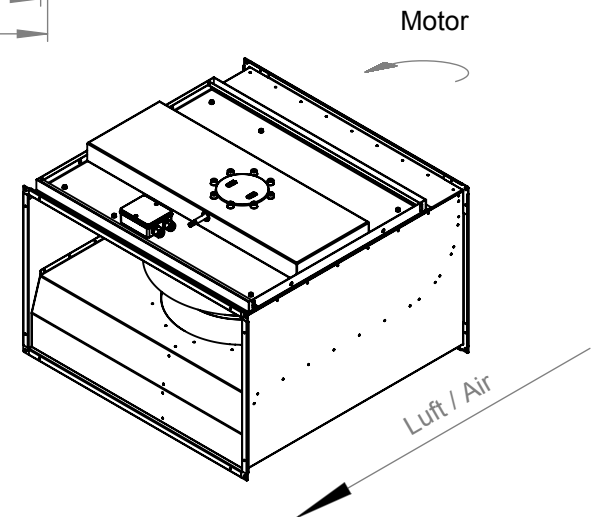
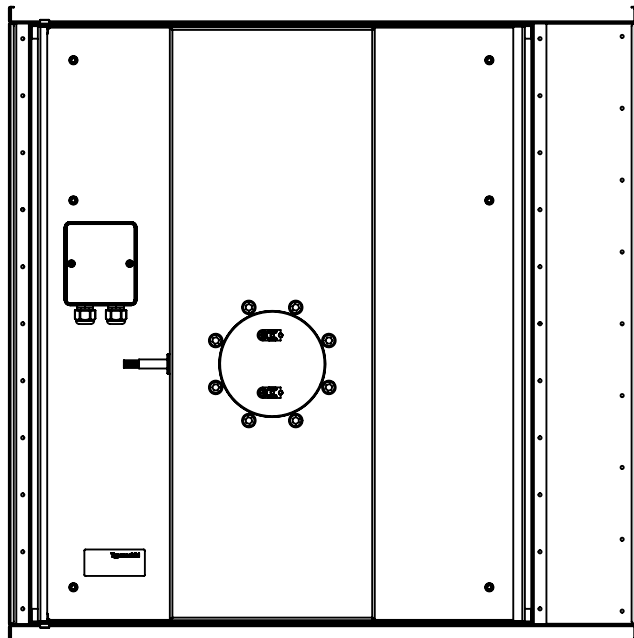
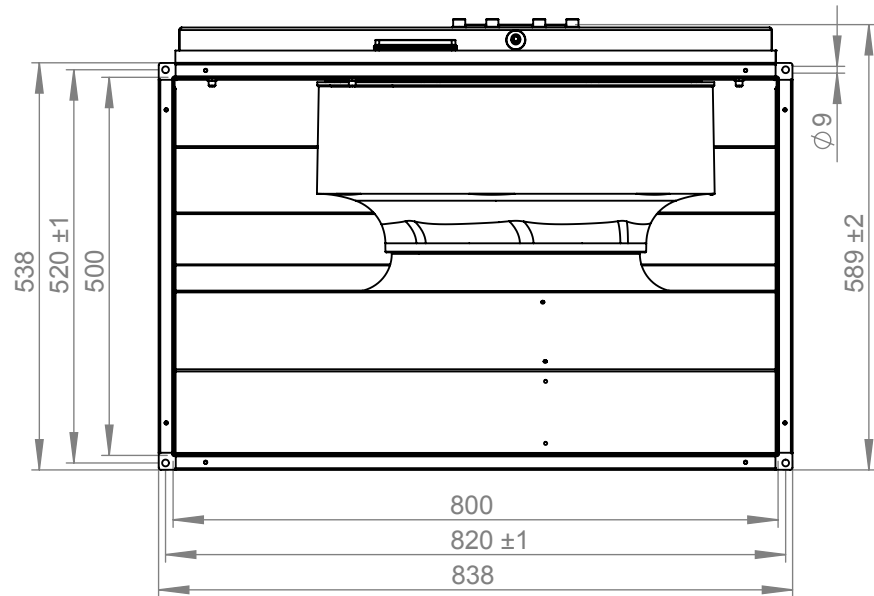
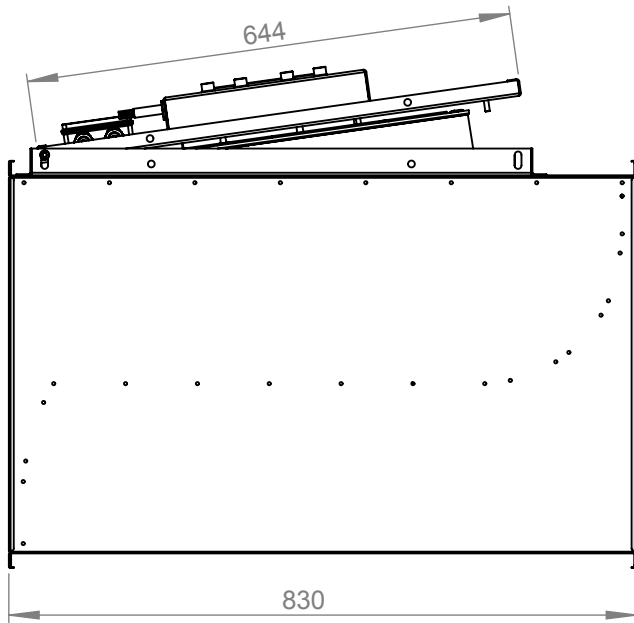
- Backward curved centrifugal fan
- Galvanized metal housing
- Speed controllable
- Integrated thermostatic switch
- Fan section removable

— ErP compliant range

Operating Point		1	2	3	4	5
Current I	A	1,8	2,1	2,8	2,8	2,5
Power consumption P _i	W	573	883	1469	1415	1170
Rotation speed n	1/min	1456	1428	1376	1386	1405
SWL inlet L _{WA5}	dB(A)	78	77	78	83	86
SWL outlet L _{WA6}	dB(A)	84	83	84	89	94
SWL housing break out L _{WA2}	dB(A)	71	69	68	72	75

Sound power (L _W) dB(A)		Medium Frequency Band								
		Σ	63	125	250	500	1k	2k	4k	8k
Inlet	L _{WA5}	78	51	74	68	70	70	68	65	60
Outlet	L _{WA6}	84	51	74	77	79	78	74	69	64
Housing radiation	L _{WA2}	68	49	66	60	59	59	53	49	44

KVR 8050 D4 30 131320	
Voltage U _N	400 V 3~
Current I _{max}	3,5 A
Ambient temperature t _A	55 °C
Conveyed medium temperature t _M	55 °C
Speed Control	V
Motor protection	TAE
Insulation class motor	F
Weight	59,9 kg
Number of poles	4
IP motor	IP54
IP terminal box	IP44
IP complete unit	IPX4
Min. operating temperature	-30 °C



1:20 A4 mm

ruck^{EU}
VENTILATOREN

Protection Mark
according to ISO16016

General tolerances
DIN ISO 2768-c

KVR08050D430

ruck Ventilatoren
Max-Planck-Str. 5
D-97944 Boxberg

Drawn: d.ursu
Created: d.ursu
Changed:

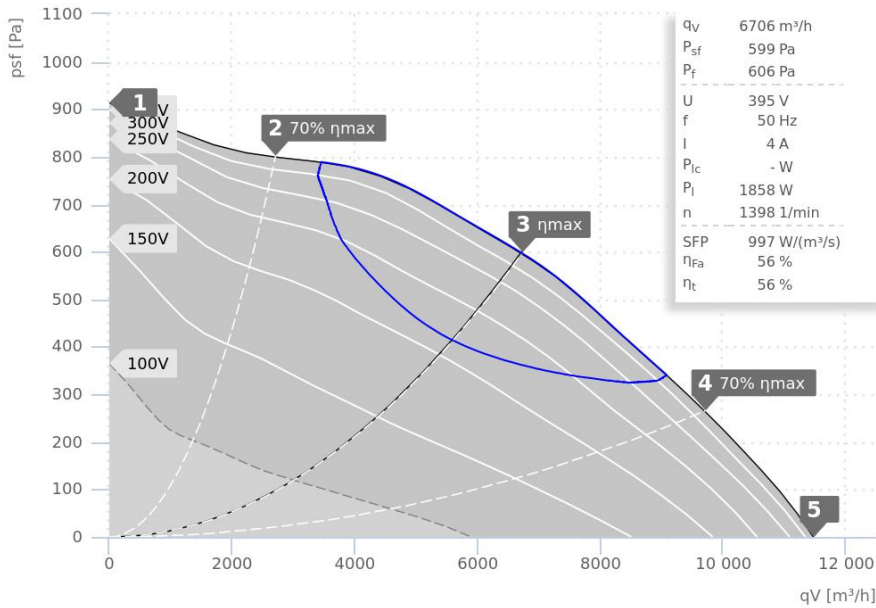
26.11.14
29.10.14

131320 00

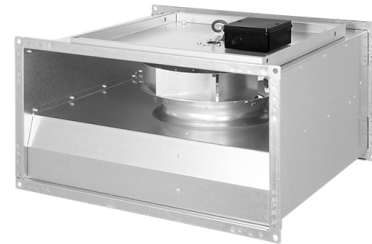
VENTAS
VENTILATORER

DATA SHEET

KVR 10050 D4 30 | 131325



— ErP compliant range



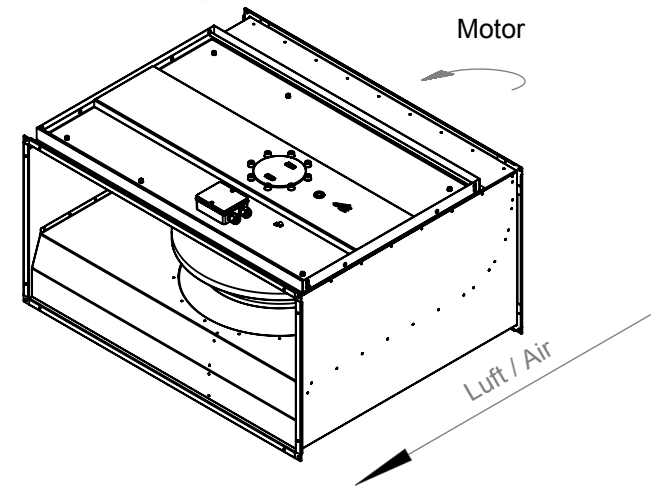
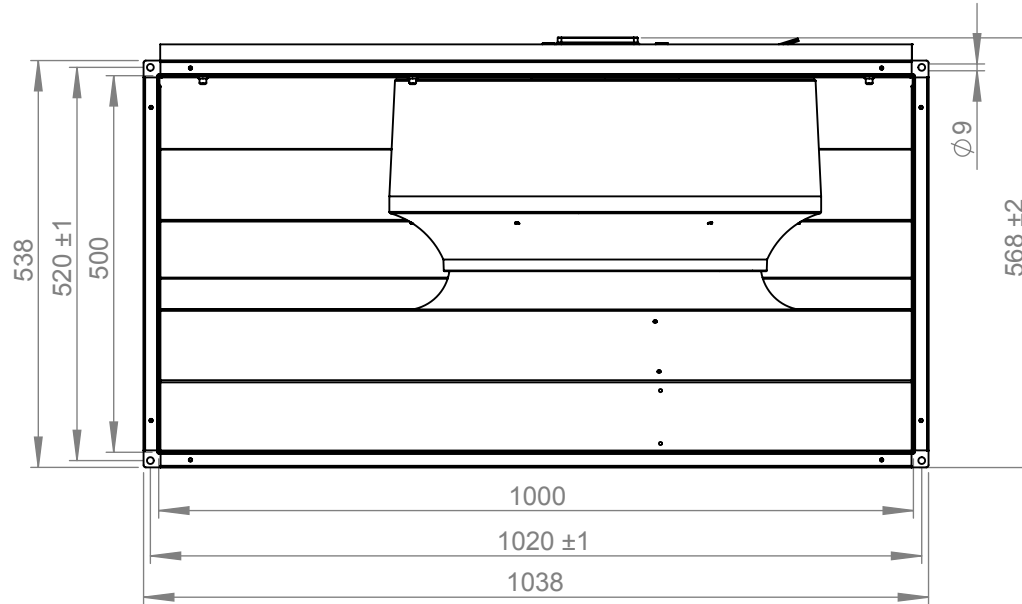
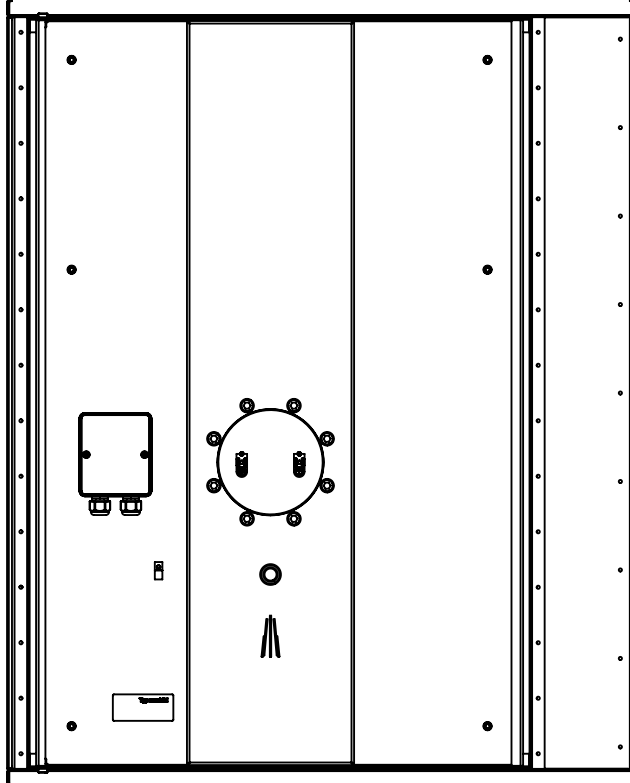
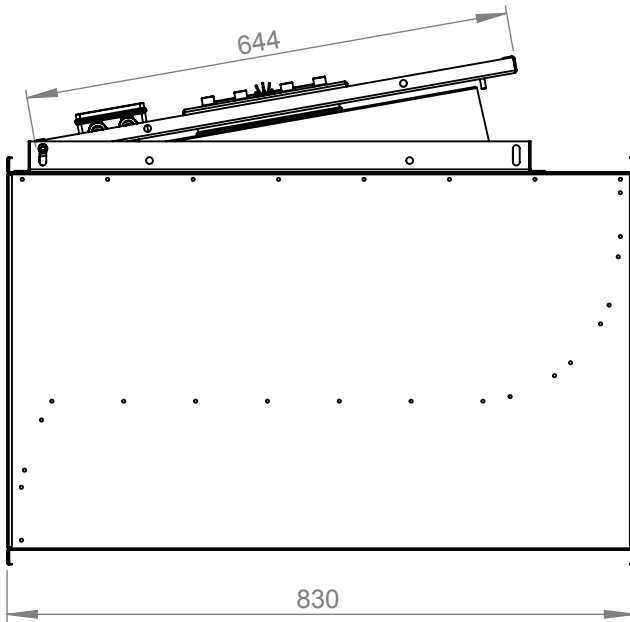
SALE OUT

- Backward curved centrifugal fan
- Galvanized metal housing
- Speed controllable
- Integrated thermostatic switch
- Fan section removable

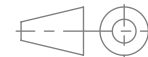
Operating Point		1	2	3	4	5
Current I	A	2,8	3,5	4,0	3,8	3,5
Power consumption P _i	W	895	1463	1866	1687	1397
Rotation speed n	1/min	1448	1423	1401	1416	1430
SWL inlet L _{WA5}	dB(A)	81	82	84	87	90
SWL outlet L _{WA6}	dB(A)	86	87	88	92	94
SWL housing break out L _{WA2}	dB(A)	72	73	72	75	77

Sound power (L _W) dB(A)		Medium Frequency Band								
		Σ	63	125	250	500	1k	2k	4k	8k
Inlet	L _{WA5}	84	54	80	74	78	75	72	71	65
Outlet	L _{WA6}	88	53	82	80	81	81	77	73	66
Housing radiation	L _{WA2}	-	-	-	-	-	-	-	-	-

KVR 10050 D4 30 131325	
Voltage U _N	400 V 3~
Current I _{max}	4,7 A
Ambient temperature t _A	60 °C
Conveyed medium temperature t _M	60 °C
Speed Control	V
Motor protection	TAE
Insulation class motor	F
Weight	71,0 kg
Number of poles	4
IP motor	IP54
IP terminal box	IP44
IP complete unit	IPX4
Min. operating temperature	-30 °C



ruck Ventilatoren
Max-Planck-Str. 5
D-97944 Boxberg



1:20 A4 mm

Protection Mark
according to ISO16016

General tolerances
DIN ISO 2768-c

KVR10050D430

Drawn: d.ursu
Created: d.ursu
Changed: d.ursu

24.11.14
29.10.14
24.11.14

131325 00

