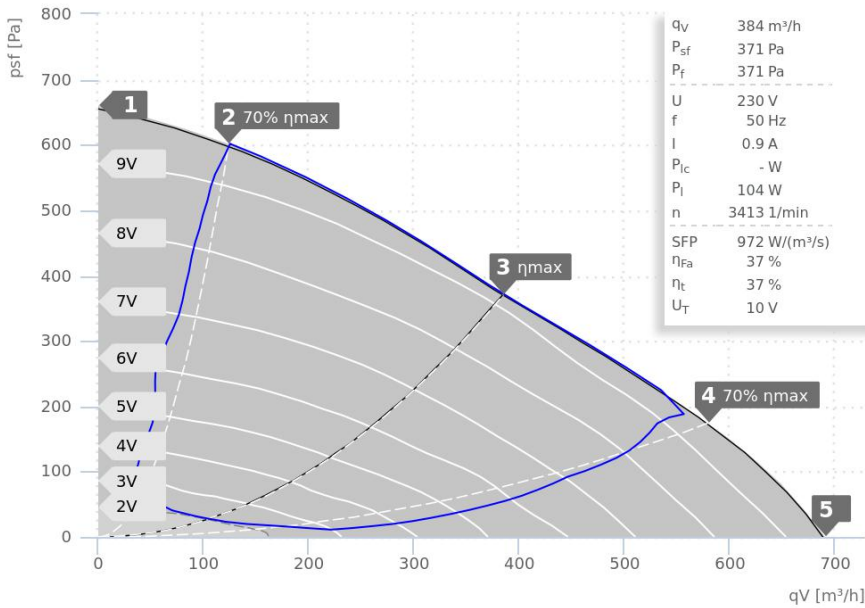


# DATA SHEET

KVRI 3015 EC 30 | 156585



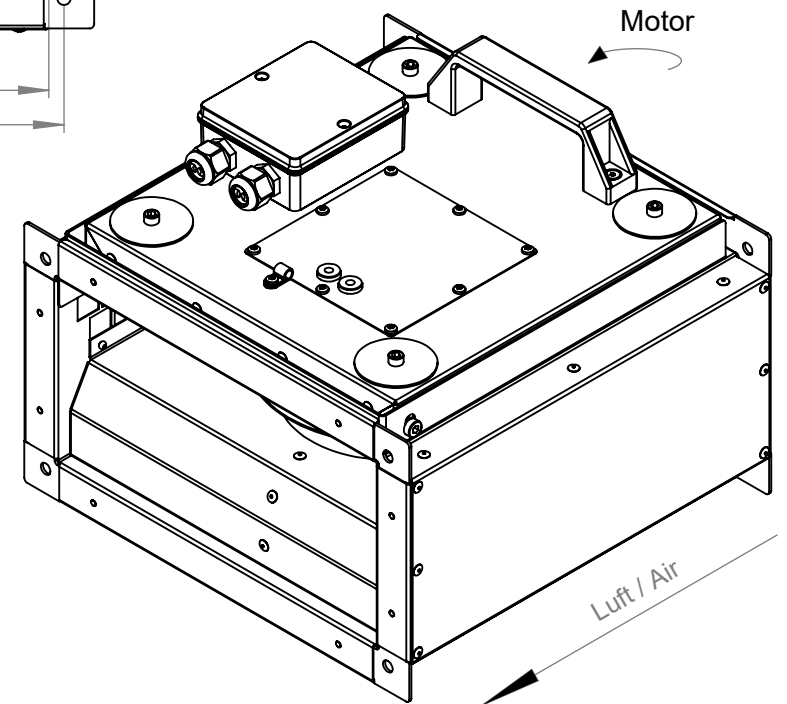
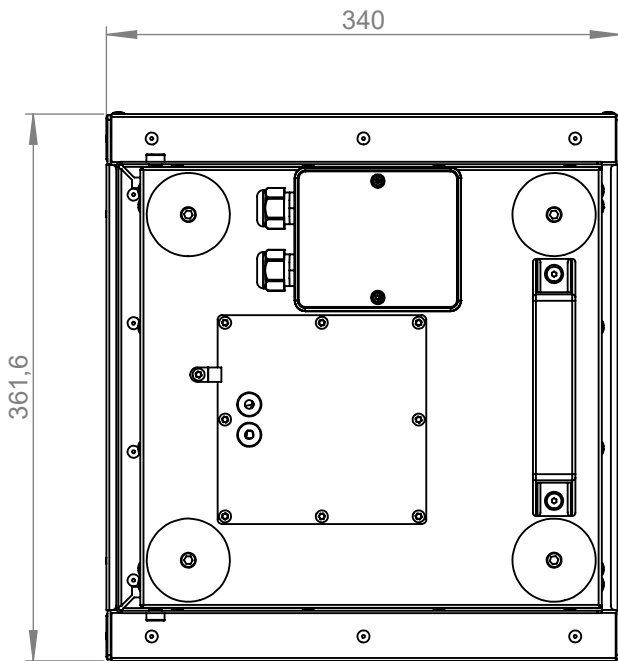
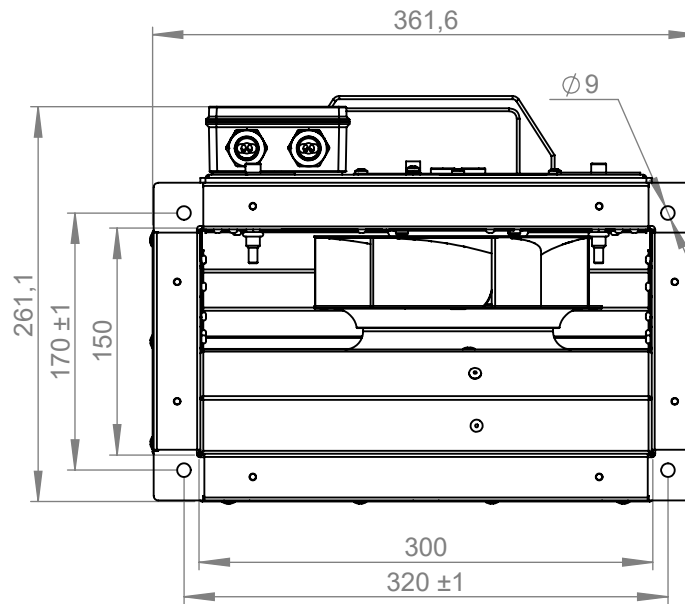
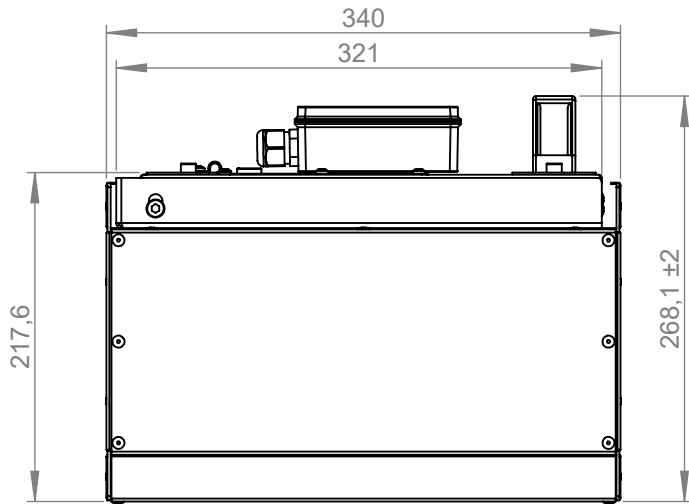
- Backward curved centrifugal fan
- Galvanized metal housing
- Sound insulated
- Integrated electronic
- EC motor

— ErP compliant range

Operating Point		1	2	3	4	5
Current I	A	0,6	0,7	0,9	0,9	0,8
Power consumption P <sub>i</sub>	W	66	79	104	105	97
Rotation speed n	1/min	3579	3557	3419	3470	3567
SWL inlet L <sub>WA5</sub>	dB(A)	67	67	66	68	70
SWL outlet L <sub>WA6</sub>	dB(A)	77	76	74	78	80
SWL housing break out L <sub>WA2</sub>	dB(A)	62	61	59	60	63

Sound power (L <sub>W</sub> ) dB(A)		Medium Frequency Band								
		Σ	63	125	250	500	1k	2k	4k	8k
Inlet	L <sub>WA5</sub>	66	37	53	59	64	54	52	50	46
Outlet	L <sub>WA6</sub>	74	39	53	65	69	68	67	62	55
Housing radiation	L <sub>WA2</sub>	59	41	45	51	55	52	49	50	41

KVRI 3015 EC 30   156585	
Voltage U <sub>N</sub>	230 V 1~
Current I <sub>max</sub>	0,9 A
Ambient temperature t <sub>A</sub>	60 °C
Conveyed medium temperature t <sub>M</sub>	60 °C
Speed Control	0-10V
Motor protection	TEC
Insulation class motor	F
Weight	10,5 kg
Number of poles	-
IP motor	IP54
IP terminal box	-
IP complete unit	-
Min. operating temperature	-30 °C



**ruck**<sup>eu</sup>  
**VENTILATOREN**  
 ruck Ventilatoren  
 Max-Planck-Str. 5  
 D-97944 Boxberg



1:5 A4 mm

Protection Mark  
 according to ISO16016

General tolerances  
 DIN ISO 2768-c

**KVRI03015EC30**

Created d.costea  
 Drawn d.costea  
 Released d.costea  
 Disabled

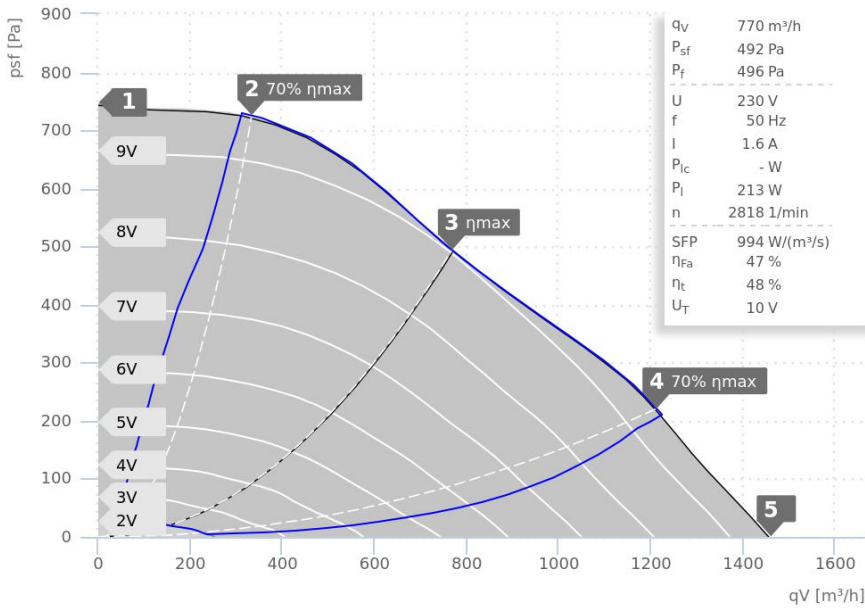
18.12.2020  
 18.12.2020  
 18.12.2020

**156585 00**

**VENTAS**  
 VENTILATOREN

# DATA SHEET

KVRI 4020 EC 31 | 156657



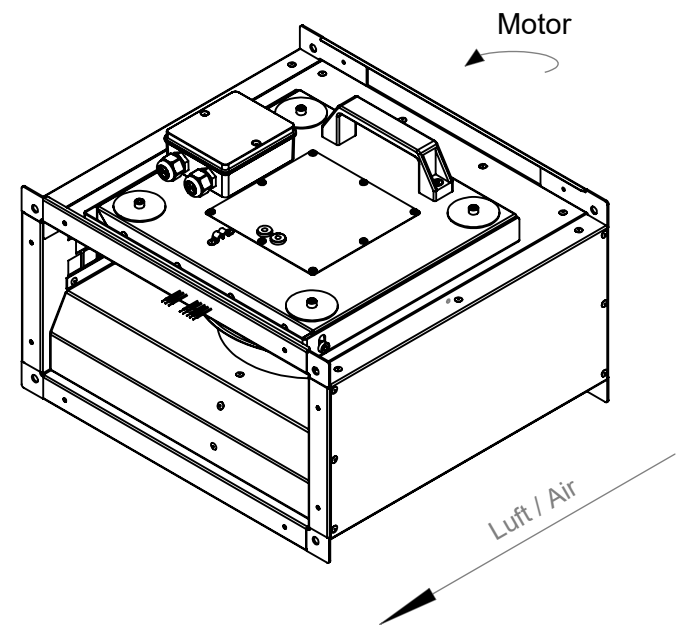
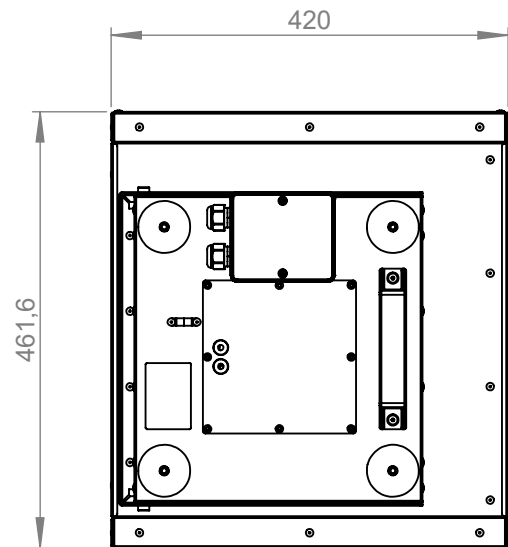
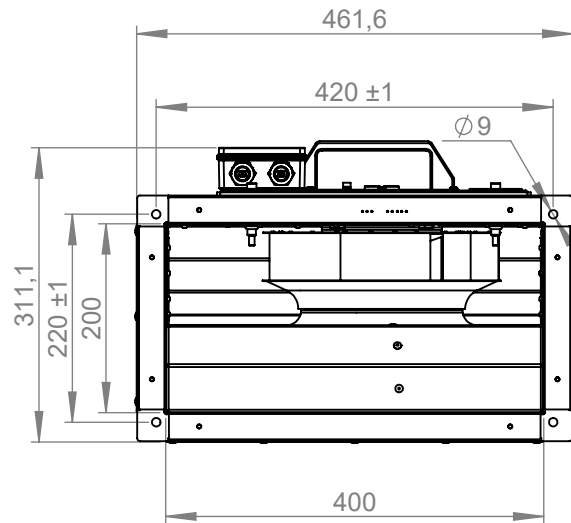
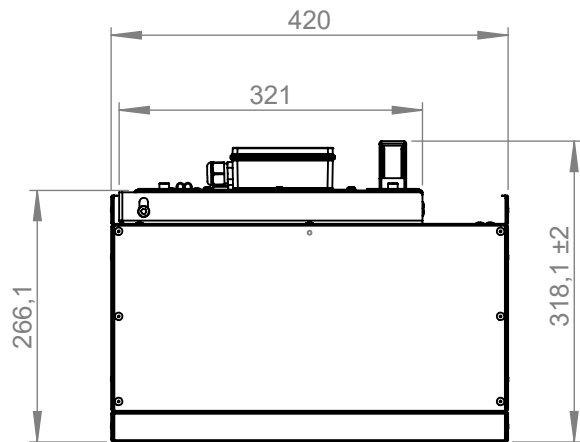
- Backward curved centrifugal fan
- Galvanized metal housing
- Sound insulated
- Integrated electronic
- EC motor

— ErP compliant range

Operating Point		1	2	3	4	5
Current $I$	A	0,9	1,5	1,6	1,6	1,3
Power consumption $P_i$	W	120	195	213	213	171
Rotation speed $n$	1/min	2966	2963	2819	2961	2964
SWL inlet $L_{WA5}$	dB(A)	73	74	76	79	83
SWL outlet $L_{WA6}$	dB(A)	80	79	83	87	88
SWL housing break out $L_{WA2}$	dB(A)	71	73	78	75	75

Sound power ( $L_W$ ) dB(A)		Medium Frequency Band								
		$\Sigma$	63	125	250	500	1k	2k	4k	8k
Inlet	$L_{WA5}$	76	39	54	72	67	72	58	59	57
Outlet	$L_{WA6}$	83	37	54	80	76	75	73	69	66
Housing radiation	$L_{WA2}$	78	40	49	63	57	77	57	54	49

KVRI 4020 EC 31   156657	
Voltage $U_N$	230 V 1~
Current $I_{max}$	1,7 A
Ambient temperature $t_A$	60 °C
Conveyed medium temperature $t_M$	60 °C
Speed Control	0-10V
Motor protection	TEC
Insulation class motor	F
Weight	15,5 kg
Number of poles	-
IP motor	IP30
IP terminal box	-
IP complete unit	-
Min. operating temperature	-30 °C



**ruck**<sup>eu</sup>  
VENTILATOREN  
ruck Ventilatoren  
Max-Planck-Str. 5  
D-97944 Boxberg



Protection Mark  
according to ISO16016

Created d.costea  
Drawn d.costea  
Released d.costea  
Disabled

1:8 A4 mm

General tolerances  
DIN ISO 2768-c

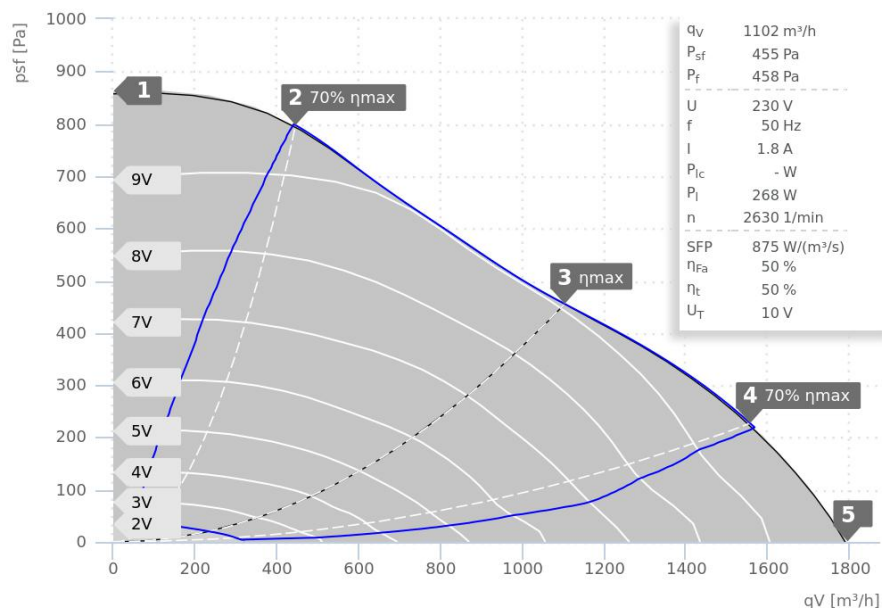
**KVRI04020EC31**

**156657 00**

**VENTAS**  
VENTILATORER

# DATA SHEET

KVRI 5025 EC 30 | 131434



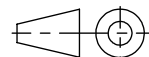
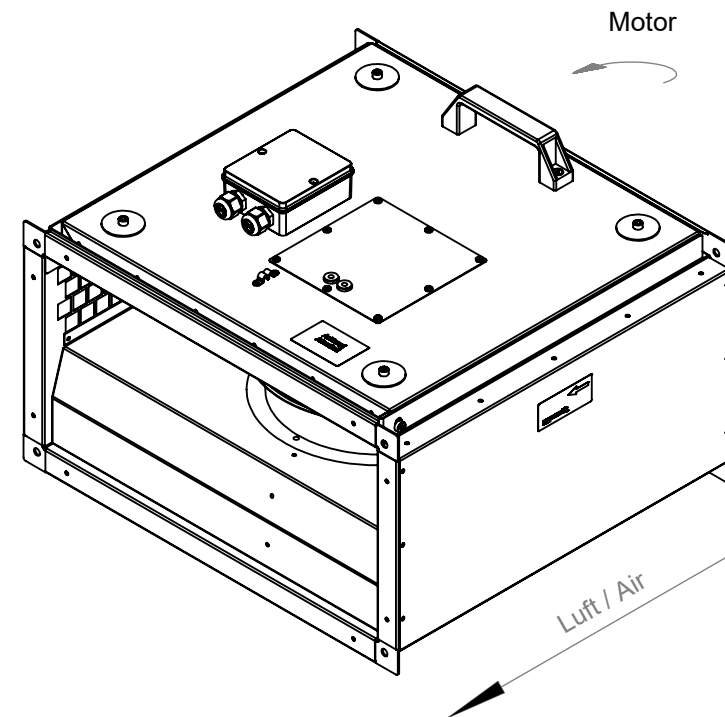
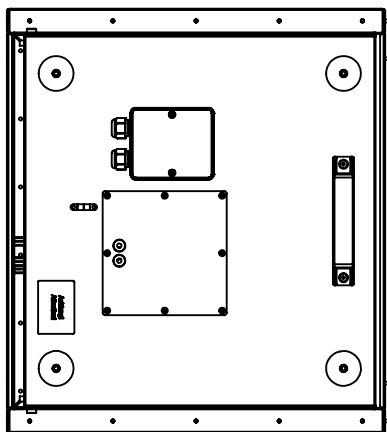
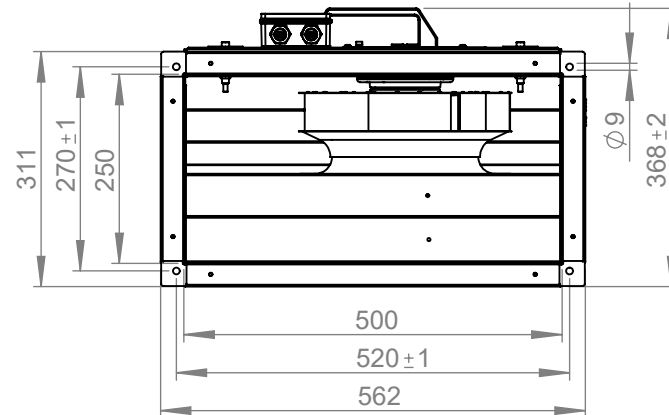
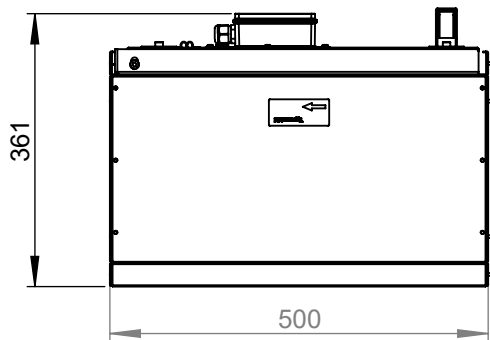
- Backward curved centrifugal fan
- Galvanized metal housing
- Sound insulated
- Integrated electronic
- EC motor

— ErP compliant range

Operating Point		1	2	3	4	5
Current $I$	A	1,3	1,8	1,8	1,8	1,5
Power consumption $P_i$	W	182	275	268	267	219
Rotation speed $n$	1/min	2910	2755	2630	2806	2921
SWL inlet $L_{WA5}$	dB(A)	74	72	71	76	79
SWL outlet $L_{WA6}$	dB(A)	82	79	80	85	88
SWL housing break out $L_{WA2}$	dB(A)	69	67	63	68	70

Sound power ( $L_W$ ) dB(A)		Medium Frequency Band								
		$\Sigma$	63	125	250	500	1k	2k	4k	8k
Inlet	$L_{WA5}$	71	40	55	67	65	62	59	60	59
Outlet	$L_{WA6}$	80	41	57	75	73	72	73	70	68
Housing radiation	$L_{WA2}$	63	41	50	60	54	55	55	50	44

KVRI 5025 EC 30   131434	
Voltage $U_N$	230 V 1~
Current $I_{max}$	1,9 A
Ambient temperature $t_A$	55 °C
Conveyed medium temperature $t_M$	55 °C
Speed Control	0-10V
Motor protection	TEC
Insulation class motor	F
Weight	21,1 kg
Number of poles	-
IP motor	IP33
IP terminal box	IP44
IP complete unit	IPX4
Min. operating temperature	-30 °C



1:10 A4 mm

**ruck**<sup>EU</sup>  
VENTILATOREN

ruck Ventilatoren  
Max-Planck-Str. 5  
D-97944 Boxberg

Protection Mark  
according to ISO16016

Drawn: d.ursu  
Created: d.ursu  
Changed: d.ursu

General tolerances  
DIN ISO 2768-c

06.02.2015  
06.02.2015  
21.05.15

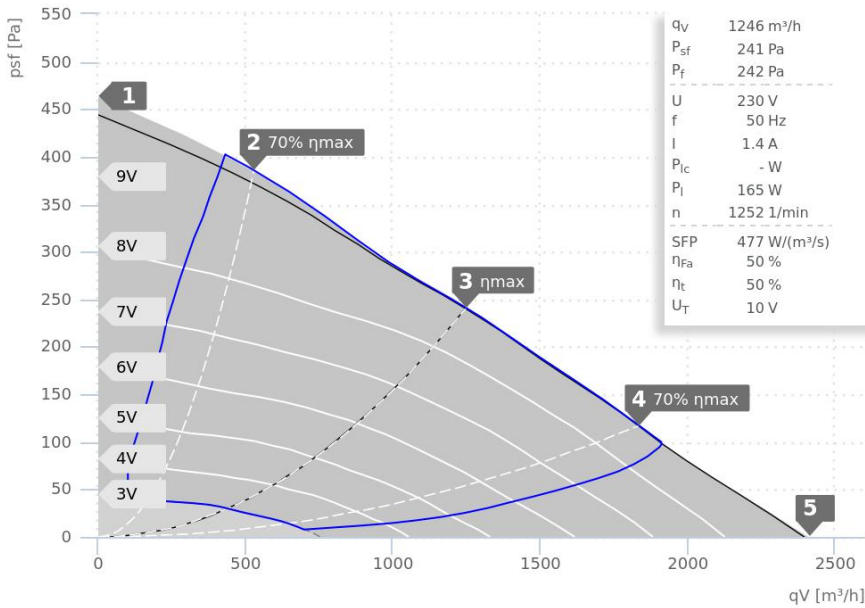
**KVRI05025EC30+**

**131434 00**

**VENTAS**  
VENTILATOREN

# DATA SHEET

KVRI 6030 EC 30 | 156812



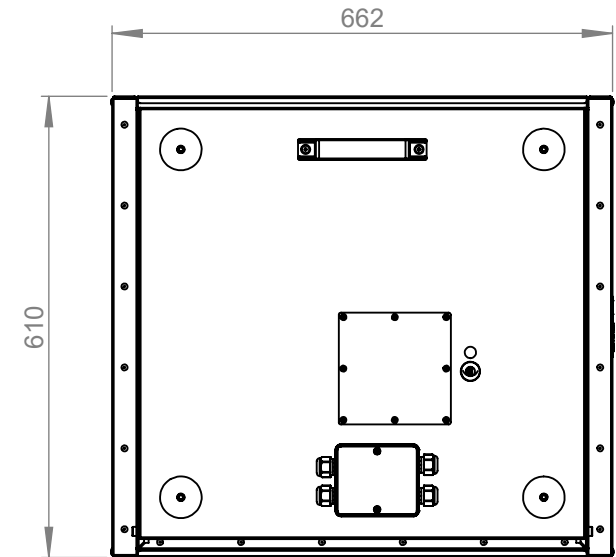
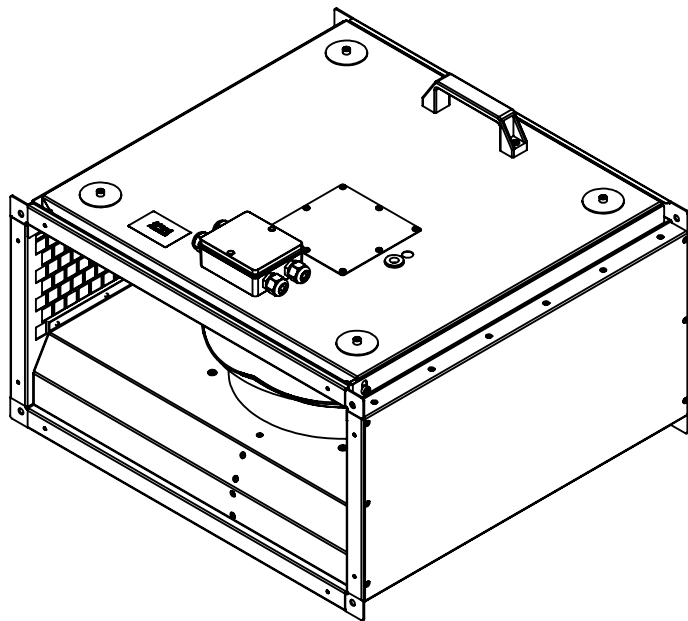
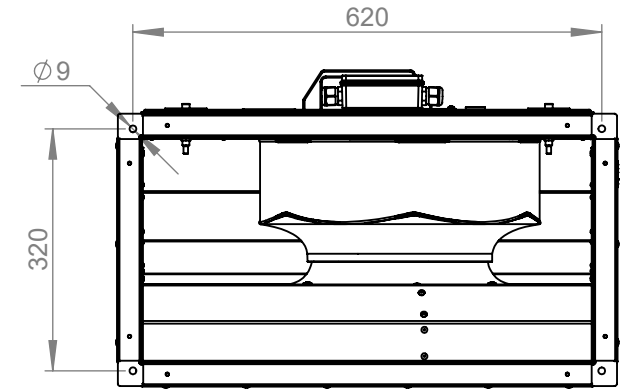
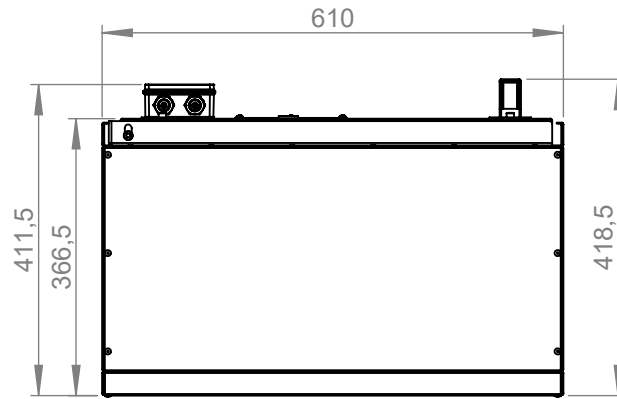
- Backward curved centrifugal fan
- Galvanized metal housing
- Sound insulated
- Integrated electronic
- EC motor

— ErP compliant range

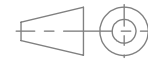
Operating Point		1	2	3	4	5
Current $I$	A	1,0	1,4	1,4	1,4	1,4
Power consumption $P_i$	W	116	161	165	165	165
Rotation speed $n$	1/min	1529	1420	1251	1254	1300
SWL inlet $L_{WA5}$	dB(A)	65	62	59	64	68
SWL outlet $L_{WA6}$	dB(A)	70	69	65	71	75
SWL housing break out $L_{WA2}$	dB(A)	61	60	57	57	61

Sound power ( $L_W$ ) dB(A)		Medium Frequency Band								
		$\Sigma$	63	125	250	500	1k	2k	4k	8k
Inlet	$L_{WA5}$	59	38	58	51	49	45	42	39	35
Outlet	$L_{WA6}$	65	38	61	58	57	59	53	49	40
Housing radiation	$L_{WA2}$	57	37	52	43	45	50	49	48	38

KVRI 6030 EC 30   156812	
Voltage $U_N$	230 V 1~
Current $I_{max}$	1,5 A
Ambient temperature $t_A$	60 °C
Conveyed medium temperature $t_M$	60 °C
Speed Control	0-10V
Motor protection	TEC
Insulation class motor	B
Weight	34,0 kg
Number of poles	-
IP motor	IP54
IP terminal box	-
IP complete unit	-
Min. operating temperature	-25 °C



**ruck**<sup>eu</sup>  
VENTILATOREN  
ruck Ventilatoren  
Max-Planck-Str. 5  
D-97944 Boxberg



1:10 A4 mm

Protection Mark  
according to ISO16016

General tolerances  
DIN ISO 2768-c

**KVRI06030EC30**

Created d.costea  
Drawn d.costea  
Released d.costea  
Disabled

25.01.2021  
25.01.2021  
26.01.2021

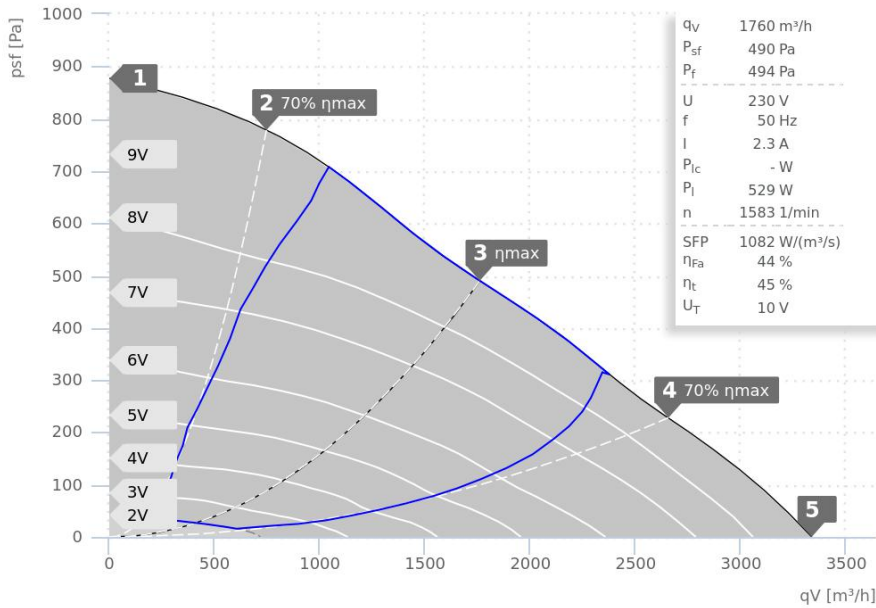
**156812 00**

**VENTAS**  
VENTILATORER



# DATA SHEET

KVRI 6030 EC 31 | 156841



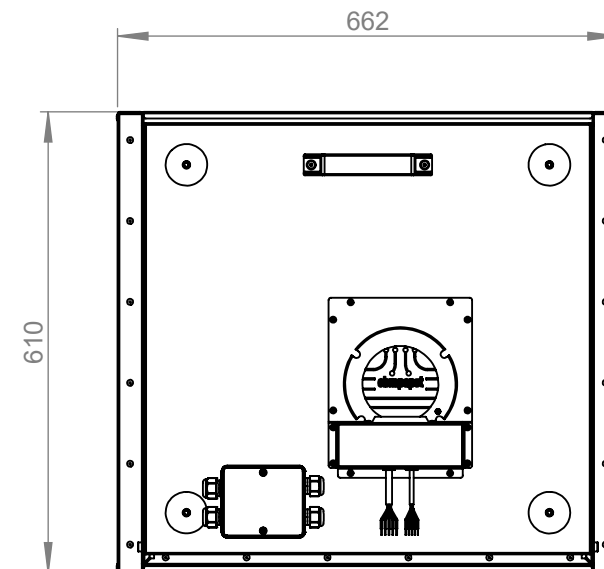
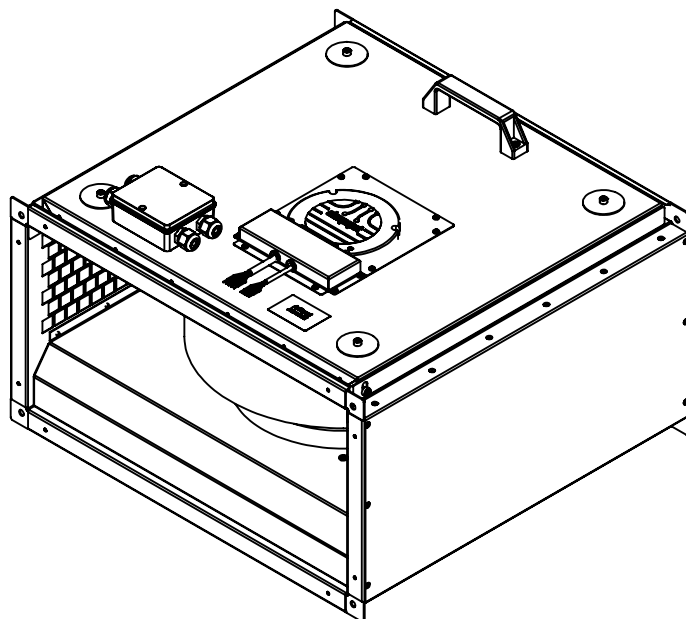
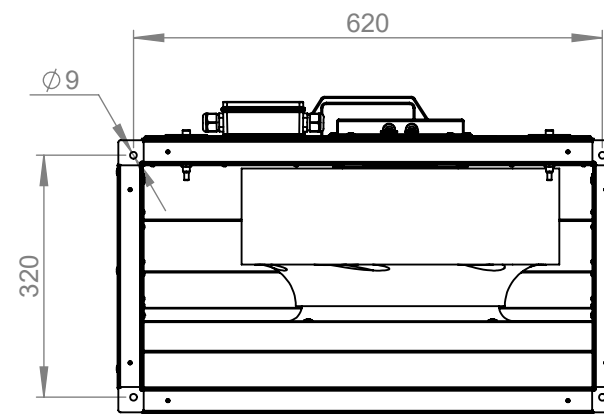
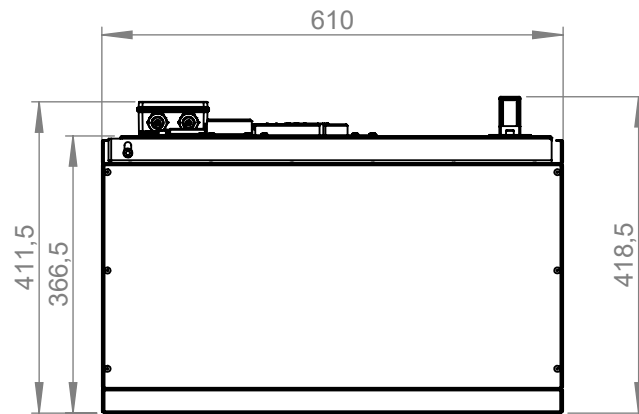
- Backward curved centrifugal fan
- Galvanized metal housing
- Sound insulated
- Integrated electronic
- EC motor

— ErP compliant range

Operating Point		1	2	3	4	5
Current I	A	1,7	2,3	2,3	2,3	2,3
Power consumption P <sub>i</sub>	W	397	516	529	528	531
Rotation speed n	1/min	1895	1816	1583	1541	1574
SWL inlet L <sub>WA5</sub>	dB(A)	75	75	69	71	76
SWL outlet L <sub>WA6</sub>	dB(A)	83	82	78	80	84
SWL housing break out L <sub>WA2</sub>	dB(A)	71	70	66	67	69

Sound power (L <sub>W</sub> ) dB(A)		Medium Frequency Band								
		Σ	63	125	250	500	1k	2k	4k	8k
Inlet	L <sub>WA5</sub>	69	50	66	62	60	55	55	55	51
Outlet	L <sub>WA6</sub>	78	49	71	69	70	72	68	67	60
Housing radiation	L <sub>WA2</sub>	66	47	60	55	54	62	54	52	45

KVRI 6030 EC 31   156841	
Voltage U <sub>N</sub>	230 V 1~
Current I <sub>max</sub>	2,5 A
Ambient temperature t <sub>A</sub>	60 °C
Conveyed medium temperature t <sub>M</sub>	60 °C
Speed Control	0-10V
Motor protection	TEC
Insulation class motor	F
Weight	36,5 kg
Number of poles	-
IP motor	IP55
IP terminal box	-
IP complete unit	-
Min. operating temperature	-20 °C



**ruck**<sup>eu</sup>  
VENTILATOREN  
ruck Ventilatoren  
Max-Planck-Str. 5  
D-97944 Boxberg



Protection Mark  
according to ISO 16016

Created d.costea  
Drawn d.costea  
Released d.costea  
Disabled

1:10 A4 mm

General tolerances  
DIN ISO 2768-c

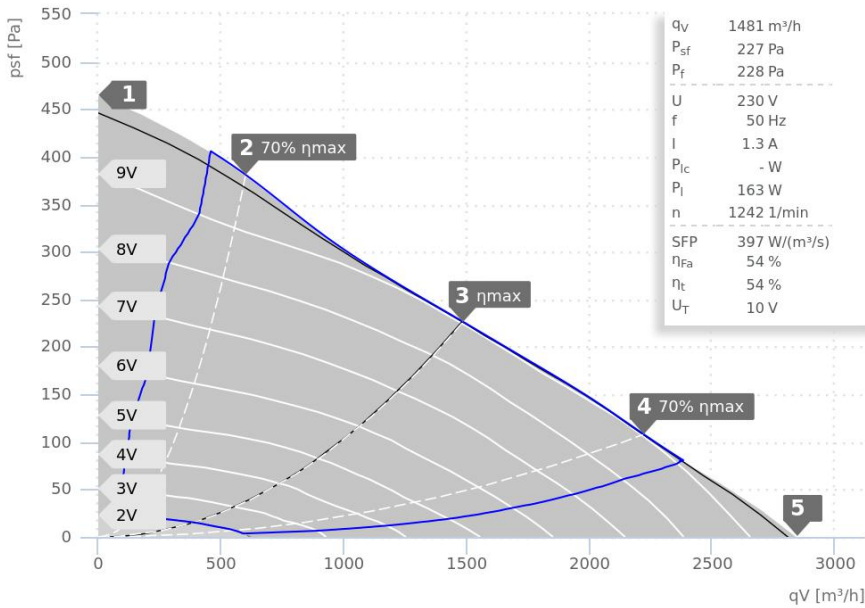
**KVRI06030EC31**

**156841 00**

**VENTAS**  
VENTILATOREN

# DATA SHEET

KVRI 6035 EC 30 | 131437



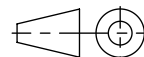
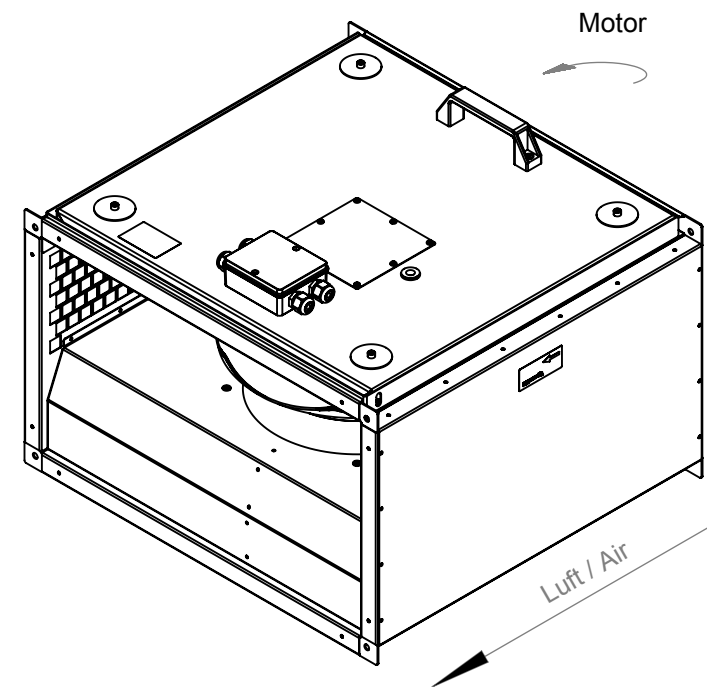
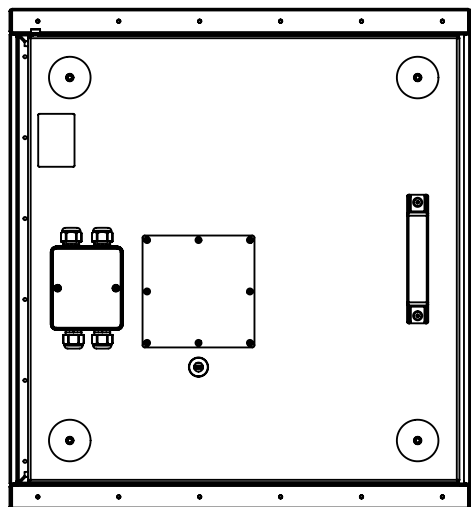
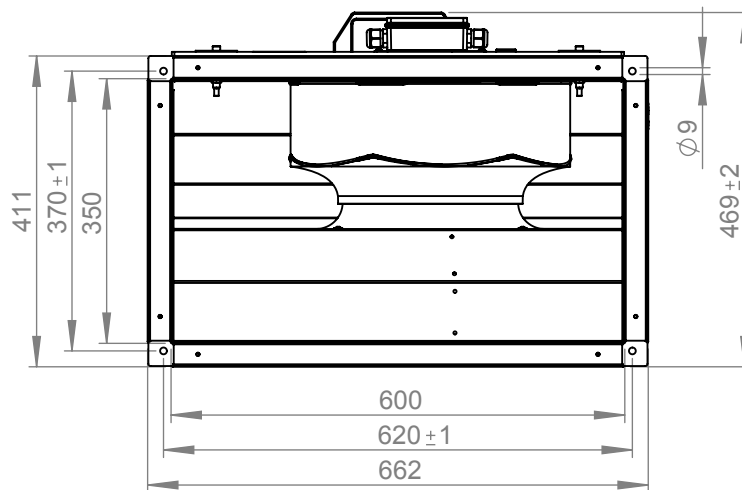
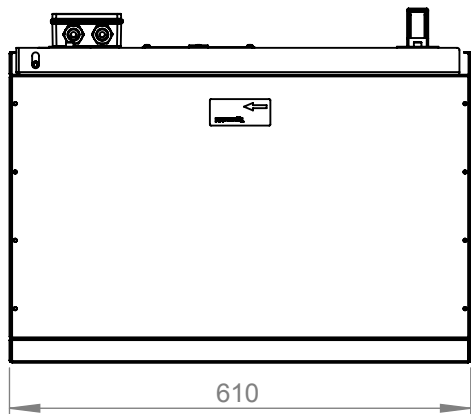
- Backward curved centrifugal fan
- Galvanized metal housing
- Sound insulated
- Integrated electronic
- EC motor

— ErP compliant range

Operating Point		1	2	3	4	5
Current $I$	A	0,9	1,3	1,3	1,3	1,3
Power consumption $P_i$	W	115	165	163	163	164
Rotation speed $n$	1/min	1539	1392	1242	1266	1357
SWL inlet $L_{WA5}$	dB(A)	64	61	58	61	69
SWL outlet $L_{WA6}$	dB(A)	71	68	64	68	73
SWL housing break out $L_{WA2}$	dB(A)	60	56	52	55	59

Sound power ( $L_W$ ) dB(A)		Medium Frequency Band								
		$\Sigma$	63	125	250	500	1k	2k	4k	8k
Inlet	$L_{WA5}$	58	36	58	46	45	41	39	35	28
Outlet	$L_{WA6}$	64	35	59	56	56	57	51	48	39
Housing radiation	$L_{WA2}$	52	34	51	40	37	37	36	31	24

KVRI 6035 EC 30   131437	
Voltage $U_N$	230 V 1~
Current $I_{max}$	1,4 A
Ambient temperature $t_A$	60 °C
Conveyed medium temperature $t_M$	60 °C
Speed Control	0-10V
Motor protection	TEC
Insulation class motor	B
Weight	0,0 kg
Number of poles	-
IP motor	IP54
IP terminal box	IP44
IP complete unit	IPX4
Min. operating temperature	-25 °C



1:10 A4 mm

**ruck**<sup>EU</sup>  
VENTILATOREN

ruck Ventilatoren  
Max-Planck-Str. 5  
D-97944 Boxberg

Protection Mark  
according to ISO16016

Drawn: d.ursu  
Created: d.ursu  
Changed:

General tolerances  
DIN ISO 2768-c

05.02.15  
29.10.14

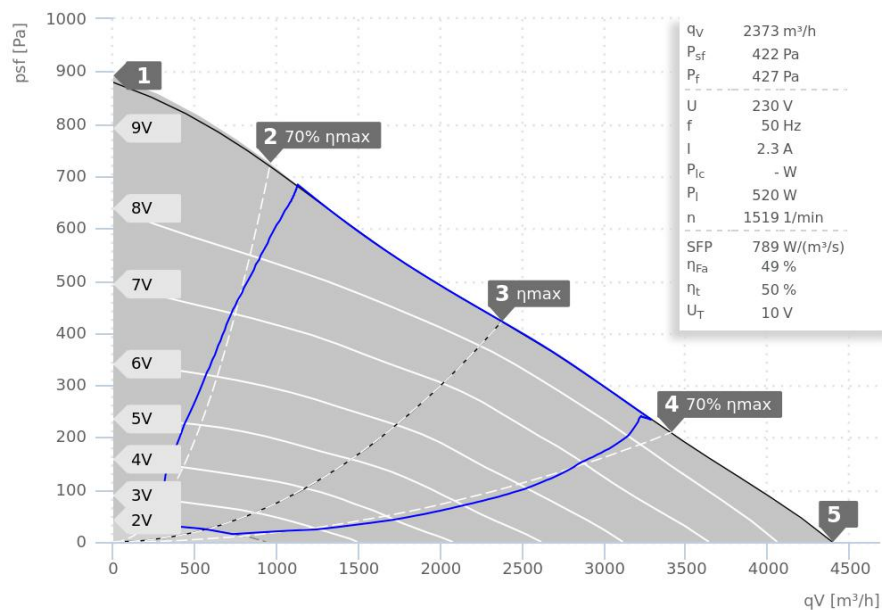
**KVRI06035EC30**

**131437 00**

**VENTAS**  
VENTILATORER

# DATA SHEET

KVRI 6035 EC 31 | 131440



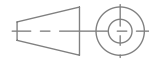
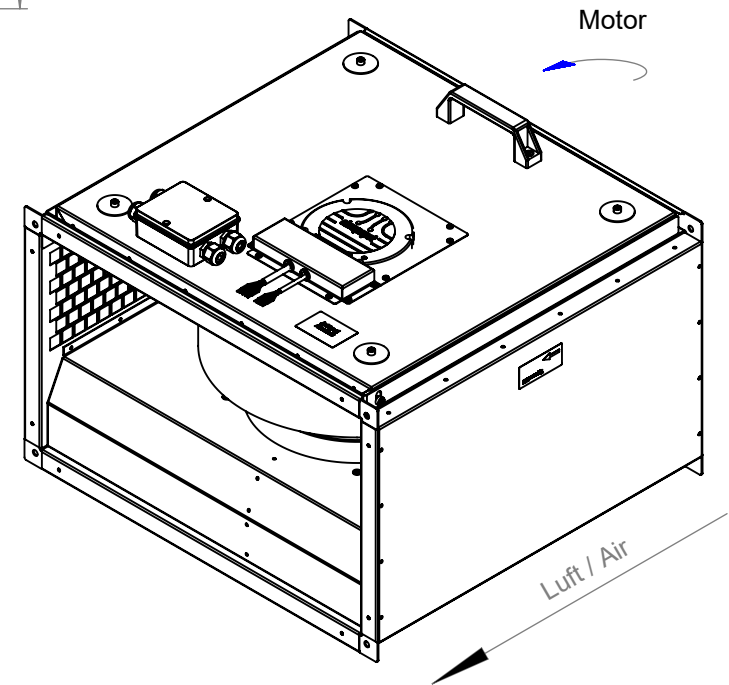
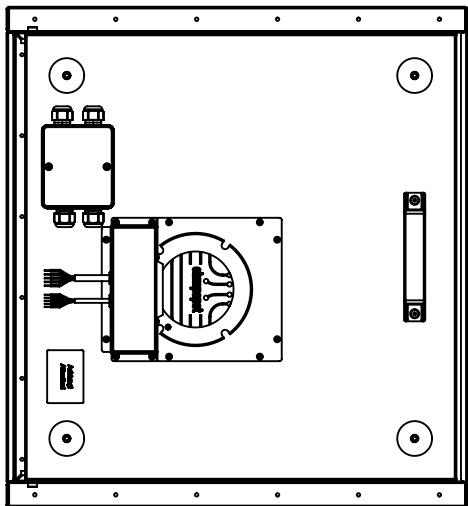
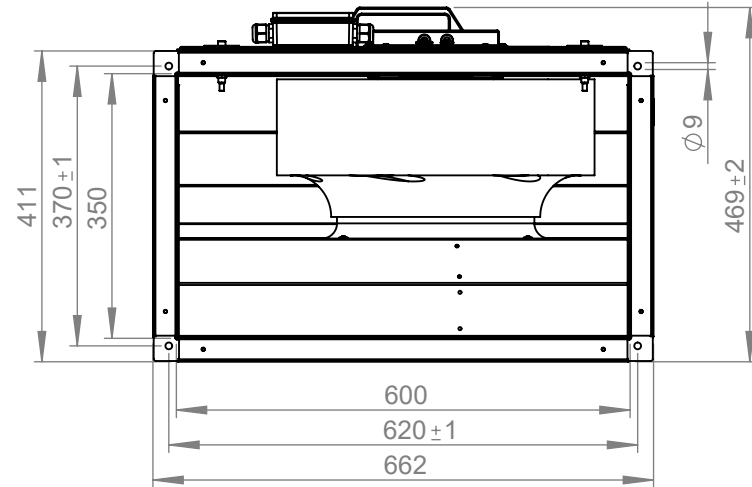
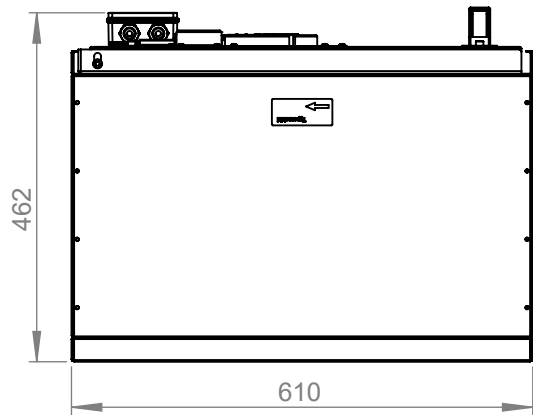
- Backward curved centrifugal fan
- Galvanized metal housing
- Sound insulated
- Integrated electronic
- EC motor

— ErP compliant range

Operating Point		1	2	3	4	5
Current I	A	1,9	2,3	2,3	2,3	2,3
Power consumption P <sub>i</sub>	W	423	528	520	521	523
Rotation speed n	1/min	1900	1737	1521	1526	1582
SWL inlet L <sub>WA5</sub>	dB(A)	76	72	65	69	75
SWL outlet L <sub>WA6</sub>	dB(A)	82	80	74	78	82
SWL housing break out L <sub>WA2</sub>	dB(A)	68	65	59	61	65

Sound power (L <sub>W</sub> ) dB(A)		Medium Frequency Band								
		Σ	63	125	250	500	1k	2k	4k	8k
Inlet	L <sub>WA5</sub>	65	43	62	58	56	51	52	49	44
Outlet	L <sub>WA6</sub>	74	44	69	66	66	68	63	58	51
Housing radiation	L <sub>WA2</sub>	59	42	58	51	46	42	41	35	28

KVRI 6035 EC 31   131440	
Voltage U <sub>N</sub>	230 V 1~
Current I <sub>max</sub>	2,4 A
Ambient temperature t <sub>A</sub>	50 °C
Conveyed medium temperature t <sub>M</sub>	50 °C
Speed Control	0-10V
Motor protection	TEC
Insulation class motor	F
Weight	37,0 kg
Number of poles	-
IP motor	IP54
IP terminal box	IP44
IP complete unit	IPX4
Min. operating temperature	-25 °C



1:10 A4 mm

**ruck**<sup>EU</sup>  
VENTILATOREN

ruck Ventilatoren  
Max-Planck-Str. 5  
D-97944 Boxberg

Protection Mark  
according to ISO16016

Drawn: d.ursu  
Created: d.ursu  
Changed: d.ursu

General tolerances  
DIN ISO 2768-c

03.02.2015  
03.02.2015  
21.05.15

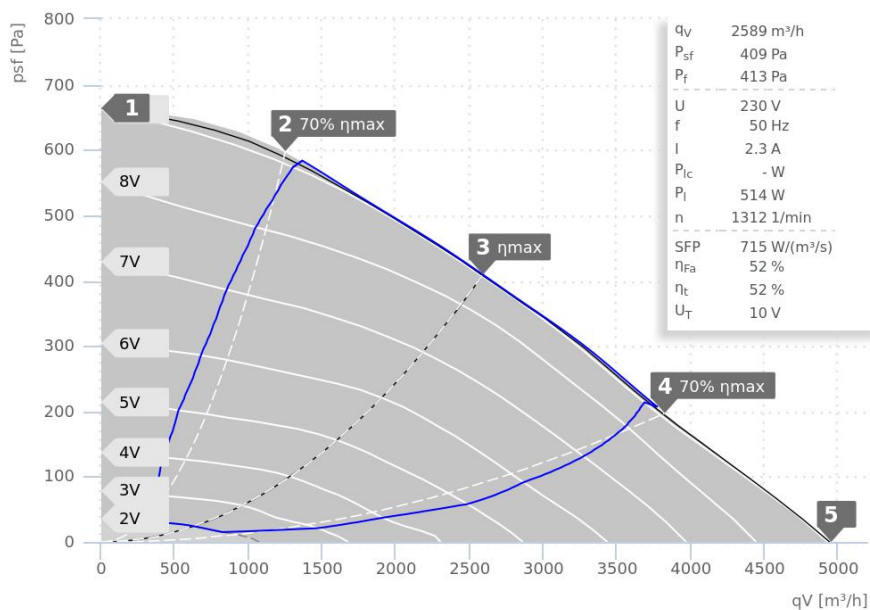
**KVRI06035EC31+**

**131440 00**

**VENTAS**  
VENTILATORER

# DATA SHEET

KVRI 7040 EC 30 | 131431



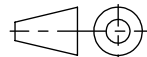
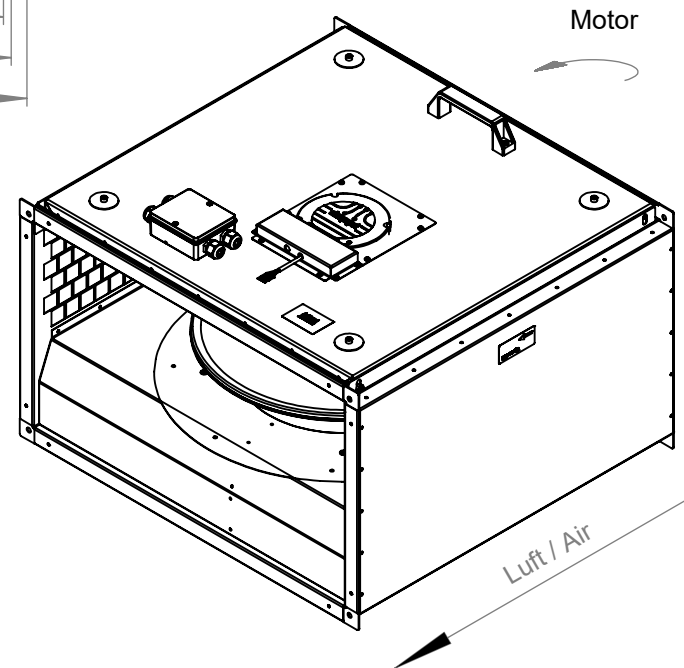
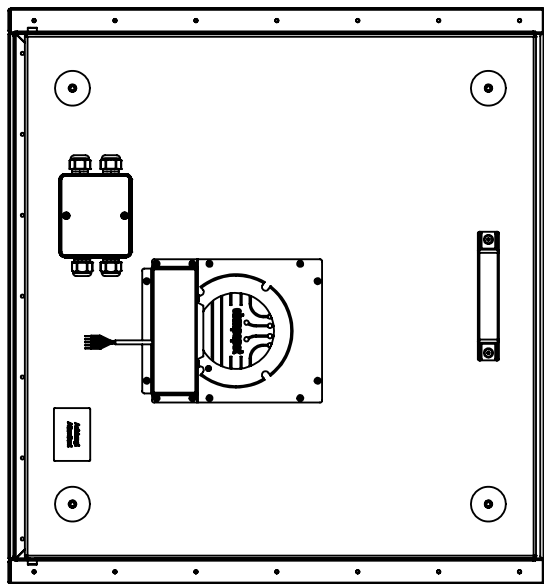
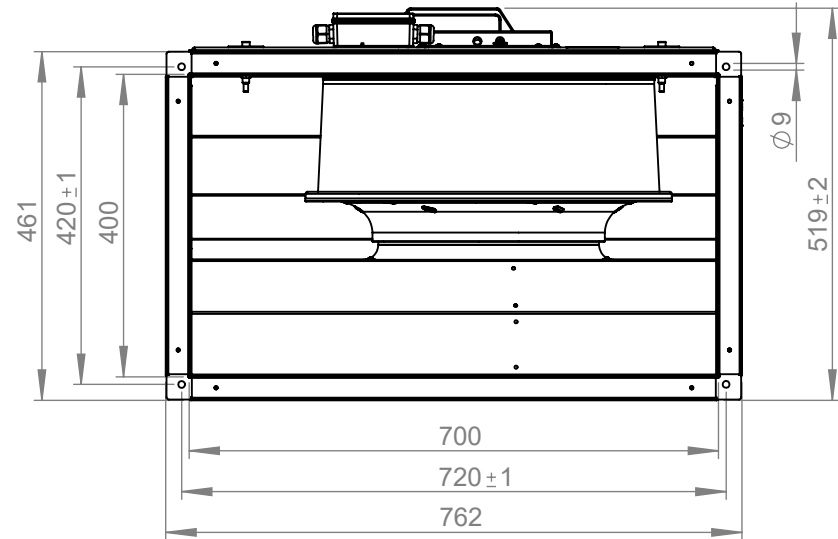
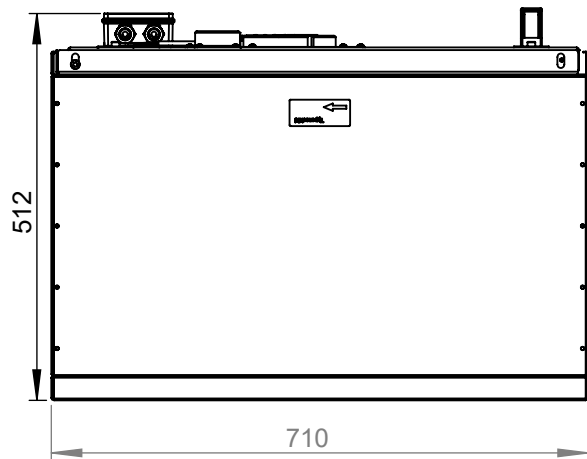
- Backward curved centrifugal fan
- Galvanized metal housing
- Sound insulated
- Integrated electronic
- EC motor

— ErP compliant range

Operating Point		1	2	3	4	5
Current $I$	A	1,5	2,3	2,3	2,3	2,3
Power consumption $P_i$	W	329	532	513	514	521
Rotation speed $n$	1/min	1508	1434	1314	1333	1427
SWL inlet $L_{WA5}$	dB(A)	73	72	67	69	73
SWL outlet $L_{WA6}$	dB(A)	81	81	77	79	83
SWL housing break out $L_{WA2}$	dB(A)	67	65	59	65	67

Sound power ( $L_W$ ) dB(A)		Medium Frequency Band								
		$\Sigma$	63	125	250	500	1k	2k	4k	8k
Inlet	$L_{WA5}$	66	45	63	57	61	54	56	49	42
Outlet	$L_{WA6}$	77	44	68	68	70	72	69	62	53
Housing radiation	$L_{WA2}$	60	42	58	50	50	47	46	43	38

KVRI 7040 EC 30   131431	
Voltage $U_N$	230 V 1~
Current $I_{max}$	2,4 A
Ambient temperature $t_A$	50 °C
Conveyed medium temperature $t_M$	50 °C
Speed Control	0-10V
Motor protection	TEC
Insulation class motor	F
Weight	0,0 kg
Number of poles	-
IP motor	IP54
IP terminal box	IP44
IP complete unit	IPX4
Min. operating temperature	-25 °C



1:10 A4 mm

**ruck**<sup>EU</sup>  
VENTILATOREN

ruck Ventilatoren  
Max-Planck-Str. 5  
D-97944 Boxberg

Protection Mark  
according to ISO16016

Drawn: d.ursu  
Created: d.ursu  
Changed: d.ursu

General tolerances  
DIN ISO 2768-c

02.02.2015  
02.02.2015  
21.05.15

**KVRI07040EC30+**

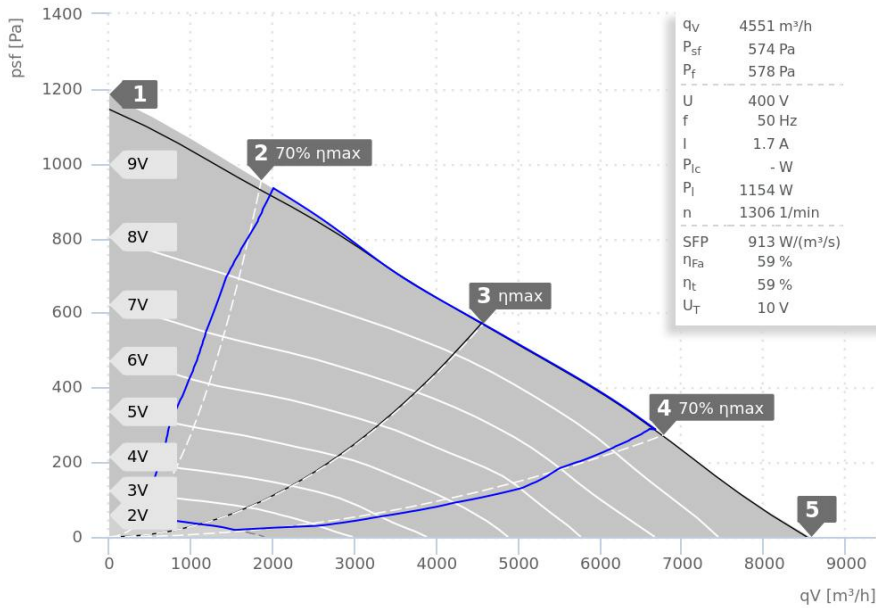
**131431 00**

**VENTAS**  
VENTILATORER



# DATA SHEET

KVRI 8050 EC 30 | 131443



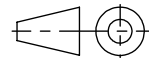
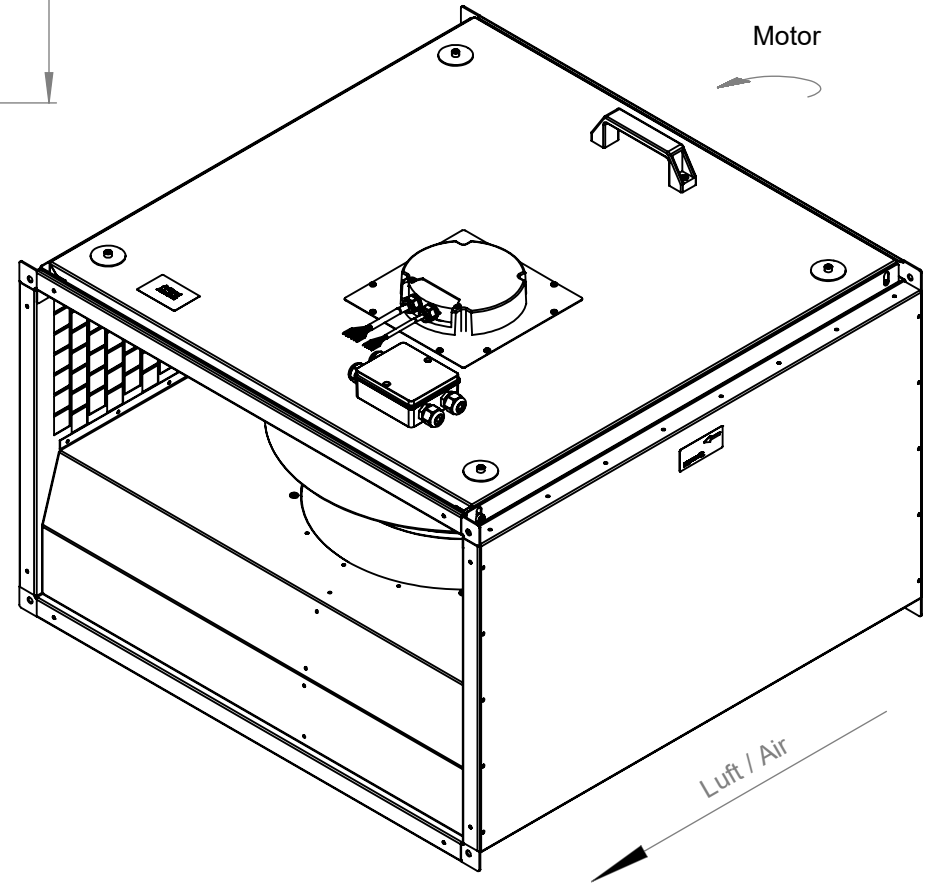
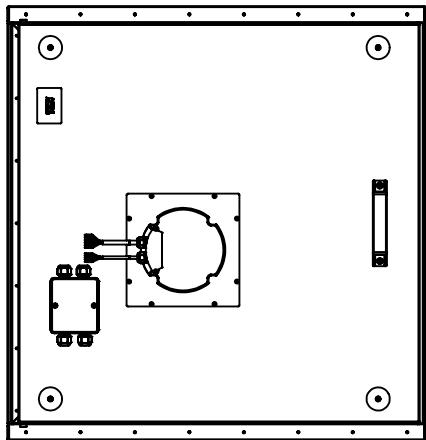
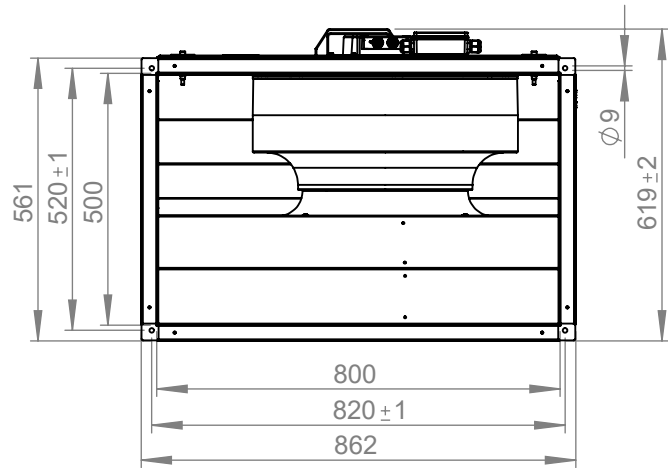
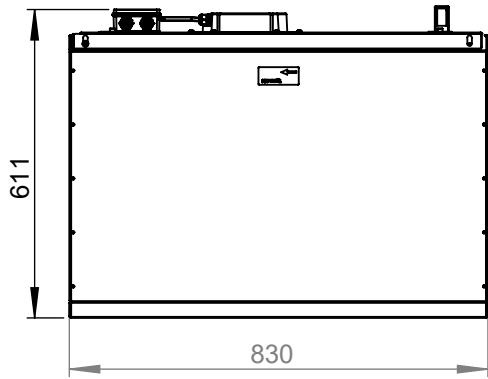
- Backward curved centrifugal fan
- Galvanized metal housing
- Sound insulated
- Integrated electronic
- EC motor

— ErP compliant range

Operating Point		1	2	3	4	5
Current $I$	A	1,1	1,7	1,7	1,7	1,7
Power consumption $P_1$	W	737	1154	1156	1167	1173
Rotation speed $n$	1/min	1619	1496	1305	1322	1410
SWL inlet $L_{WA5}$	dB(A)	76	74	69	71	76
SWL outlet $L_{WA6}$	dB(A)	84	82	77	82	86
SWL housing break out $L_{WA2}$	dB(A)	70	69	62	63	67

Sound power ( $L_W$ ) dB(A)		Medium Frequency Band								
		$\Sigma$	63	125	250	500	1k	2k	4k	8k
Inlet	$L_{WA5}$	69	49	61	60	61	60	62	60	54
Outlet	$L_{WA6}$	77	47	67	70	72	71	68	64	58
Housing radiation	$L_{WA2}$	62	45	58	53	52	51	55	53	44

KVRI 8050 EC 30   131443	
Voltage $U_N$	400 V 3~
Current $I_{max}$	1,8 A
Ambient temperature $t_A$	50 °C
Conveyed medium temperature $t_M$	50 °C
Speed Control	0-10V
Motor protection	TEC
Insulation class motor	F
Weight	72,3 kg
Number of poles	-
IP motor	IP54
IP terminal box	IP44
IP complete unit	IPX4
Min. operating temperature	-30 °C



1:10 A4 mm

**ruck**<sup>EU</sup>  
VENTILATOREN

ruck Ventilatoren  
Max-Planck-Str. 5  
D-97944 Boxberg

Protection Mark  
according to ISO16016

Drawn: d.ursu  
Created: d.ursu  
Changed: d.ursu

General tolerances  
DIN ISO 2768-c

30.01.2015  
30.01.2015  
21.05.15

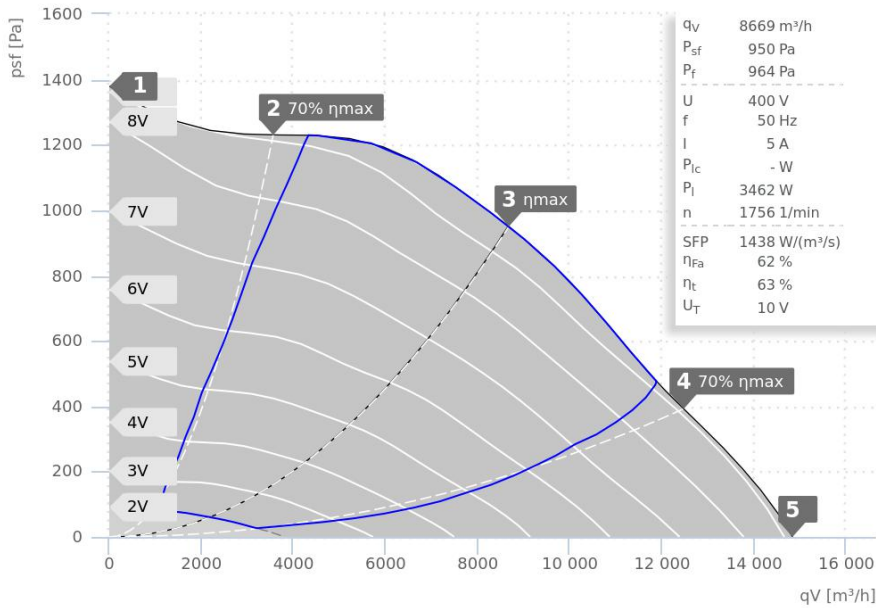
**KVRI08050EC30+**

**131443 00**

**VENTAS**  
VENTILATORER

# DATA SHEET

## KVRI 10050 EC 30 | 131446



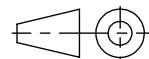
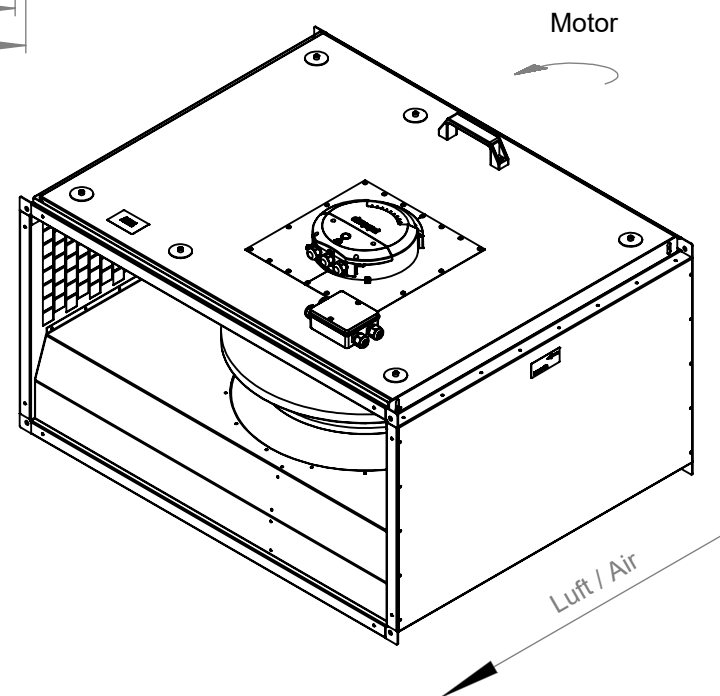
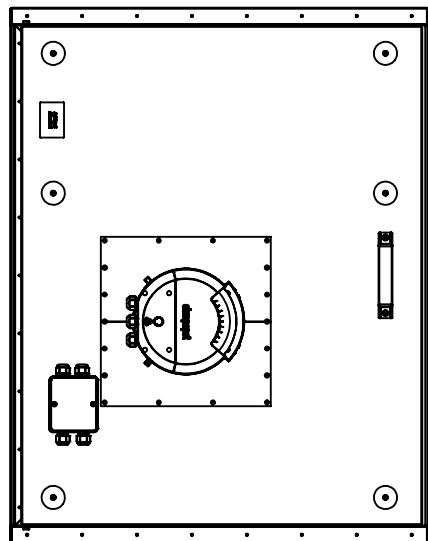
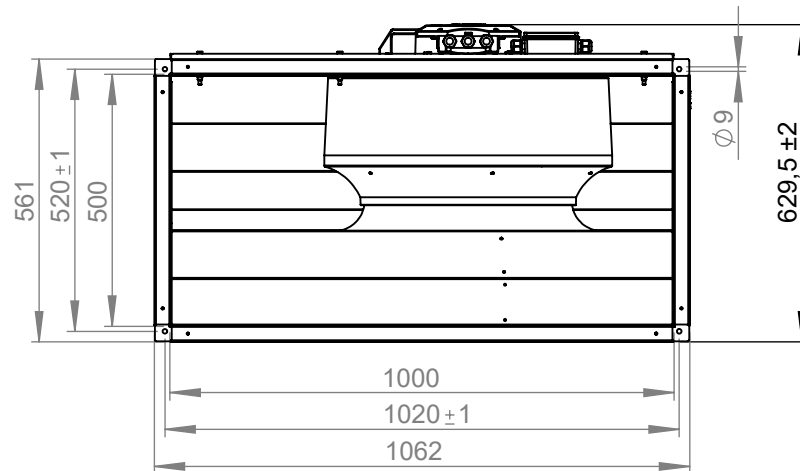
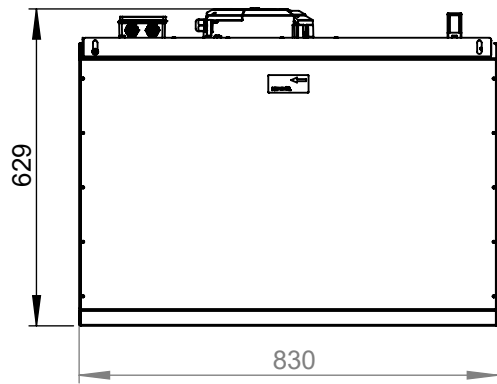
- Backward curved centrifugal fan
- Galvanized metal housing
- Sound insulated
- Integrated electronic
- EC motor

— ErP compliant range

Operating Point		1	2	3	4	5
Current $I$	A	2,2	3,9	5,0	4,2	3,7
Power consumption $P_1$	W	1473	2685	3462	2896	2566
Rotation speed $n$	1/min	1790	1774	1756	1752	1794
SWL inlet $L_{WA5}$	dB(A)	82	81	84	87	89
SWL outlet $L_{WA6}$	dB(A)	91	91	92	96	97
SWL housing break out $L_{WA2}$	dB(A)	78	78	78	78	80

Sound power ( $L_W$ ) dB(A)		Medium Frequency Band								
		$\Sigma$	63	125	250	500	1k	2k	4k	8k
Inlet	$L_{WA5}$	84	57	80	79	79	70	68	66	63
Outlet	$L_{WA6}$	92	58	86	86	85	84	80	77	73
Housing radiation	$L_{WA2}$	78	53	73	71	69	71	68	64	55

KVRI 10050 EC 30   131446	
Voltage $U_N$	400 V 3~
Current $I_{max}$	5,3 A
Ambient temperature $t_A$	60 °C
Conveyed medium temperature $t_M$	60 °C
Speed Control	0-10V
Motor protection	TEC
Insulation class motor	F
Weight	89,2 kg
Number of poles	-
IP motor	IP55
IP terminal box	-
IP complete unit	-
Min. operating temperature	-30 °C



1:20 A4 mm

**ruck**<sup>EU</sup>  
VENTILATOREN

ruck Ventilatoren  
Max-Planck-Str. 5  
D-97944 Boxberg

Protection Mark  
according to ISO16016

Drawn: d.ursu  
Created: d.ursu  
Changed: d.ursu

General tolerances  
DIN ISO 2768-c

28.01.2015  
28.01.2015  
21.05.15

**KVRI10050EC30+**

**131446 01**

**VENTAS**  
VENTILATOREN