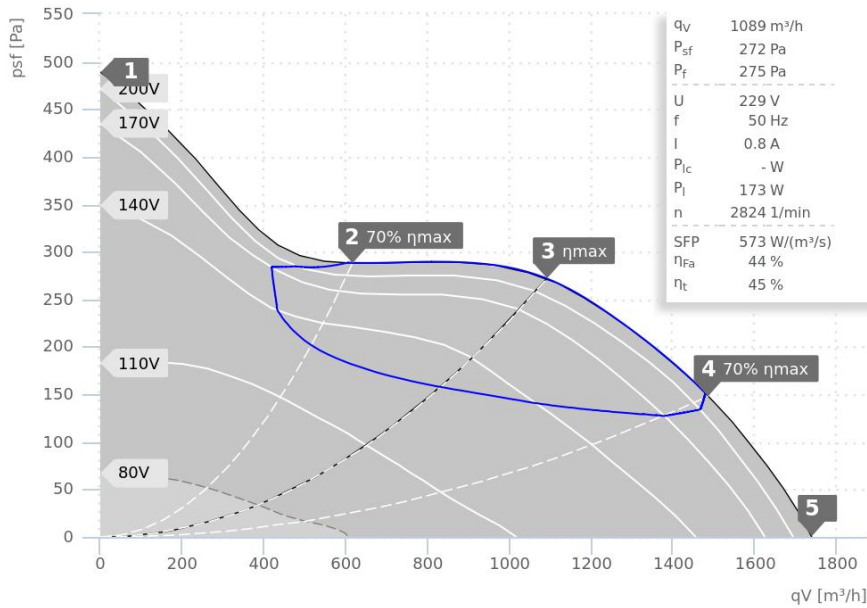


# DATA SHEET

## ELKI 5025 E2 10 | 127744



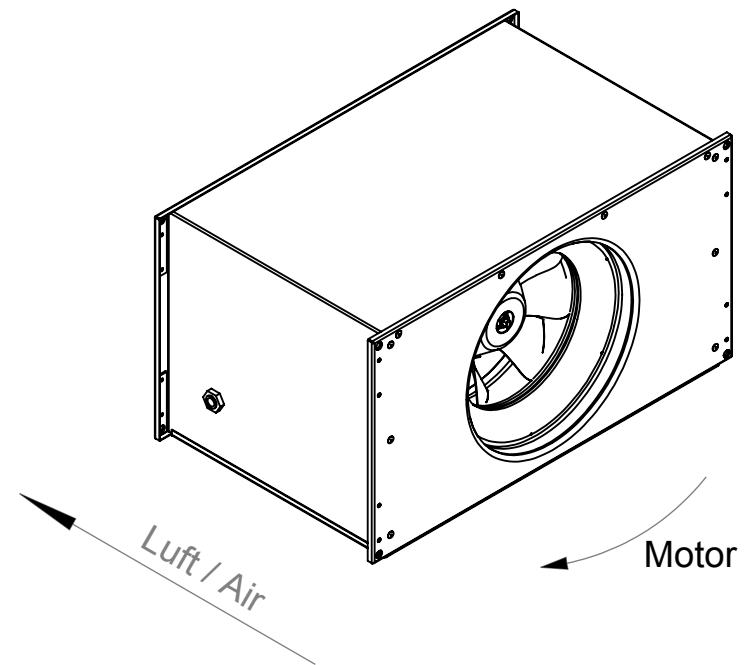
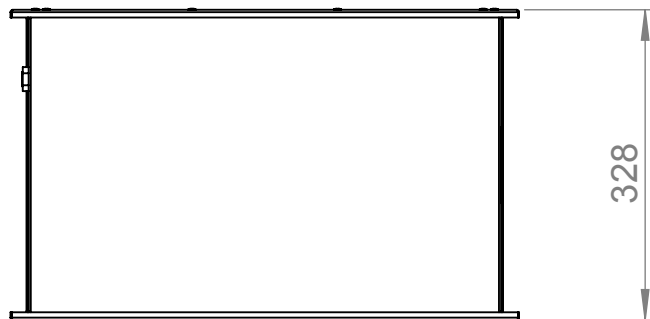
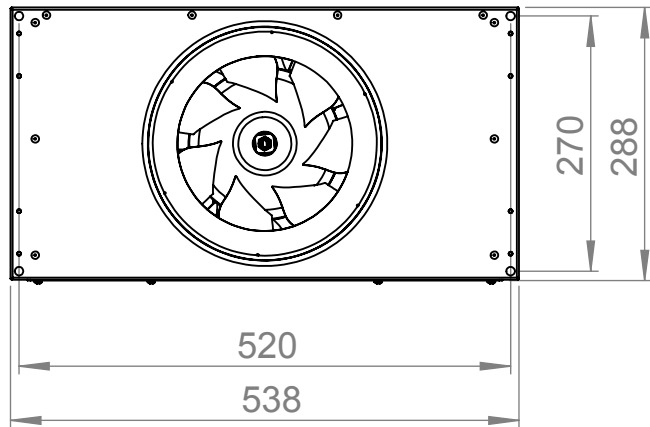
- ETALINE duct fans
- Galvanized metal housing
- Speed controllable
- Integrated thermostatic switch
- Fan section removable

— ErP compliant range

Operating Point		1	2	3	4	5
Current I	A	0,8	0,7	0,8	0,8	0,8
Power consumption P <sub>i</sub>	W	172	149	173	183	172
Rotation speed n	1/min	2820	2869	2824	2816	2837
SWL inlet L <sub>WA5</sub>	dB(A)	78	75	75	75	78
SWL outlet L <sub>WA6</sub>	dB(A)	80	77	74	76	79
SWL housing break out L <sub>WA2</sub>	dB(A)	59	57	55	52	55

Sound power (L <sub>W</sub> ) dB(A)		Medium Frequency Band								
		Σ	63	125	250	500	1k	2k	4k	8k
Inlet	L <sub>WA5</sub>	75	-	44	61	71	69	67	64	55
Outlet	L <sub>WA6</sub>	74	-	45	57	66	70	69	64	55
Housing radiation	L <sub>WA2</sub>	55	47	44	45	46	49	46	39	34

ELKI 5025 E2 10   127744	
Voltage U <sub>N</sub>	230 V 1~
Current I <sub>max</sub>	1,0 A
Ambient temperature t <sub>A</sub>	55 °C
Conveyed medium temperature t <sub>M</sub>	55 °C
Speed Control	V
Motor protection	TMI
Insulation class motor	F
Weight	13,4 kg
Number of poles	2
IP motor	IP00
IP terminal box	IP44
IP complete unit	IPX4
Min. operating temperature	-25 °C



1:8 A4 mm

**ruck**<sup>EU</sup>  
VENTILATOREN

ruck Ventilatoren  
Max-Planck-Str. 5  
D-97944 Boxberg

Protection Mark  
according to ISO16016

Drawn: a.mezei  
Created: s.pop  
Changed: a.mezei

General tolerances  
DIN ISO 2768-mK

01.04.13  
18.03.13  
01.04.13

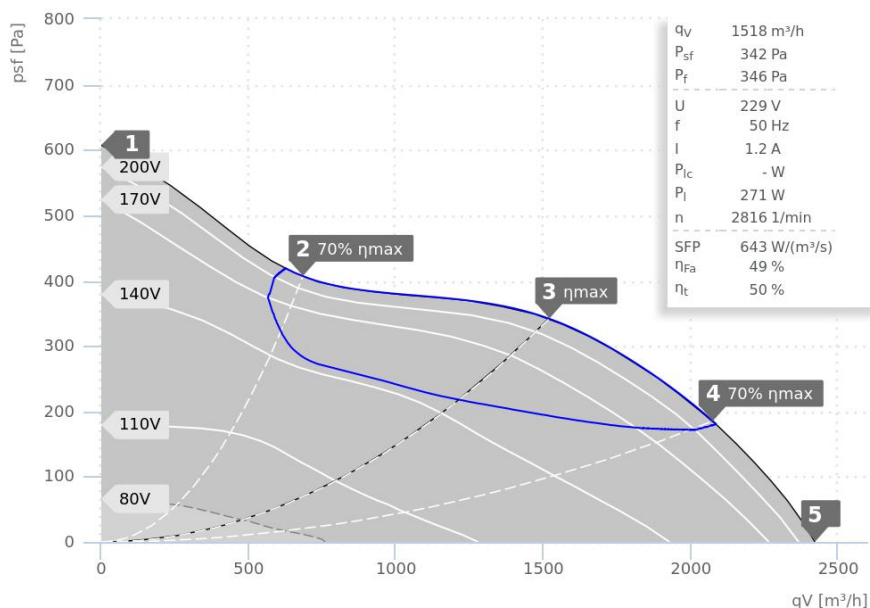
**ELKI5025E210**

**127744 00**

**VENTAS**  
VENTILATORER

# DATA SHEET

## ELKI 5030 E2 10 | 127742



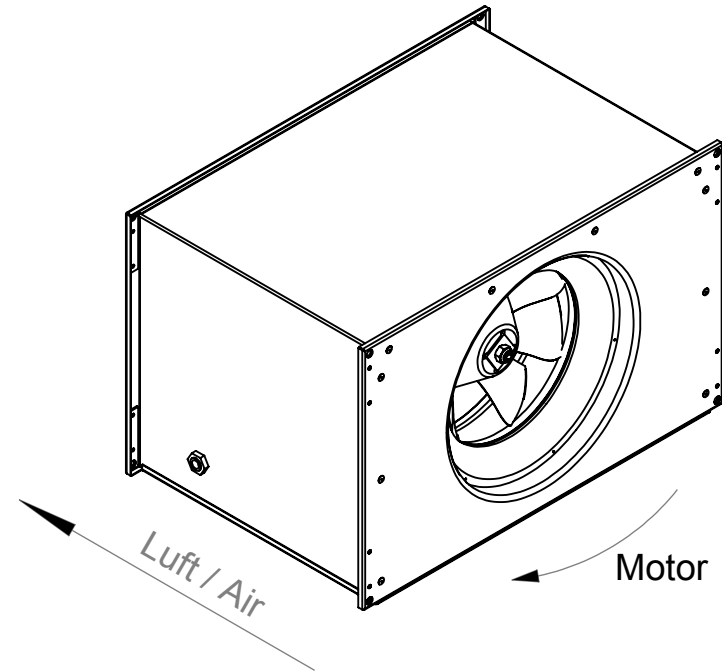
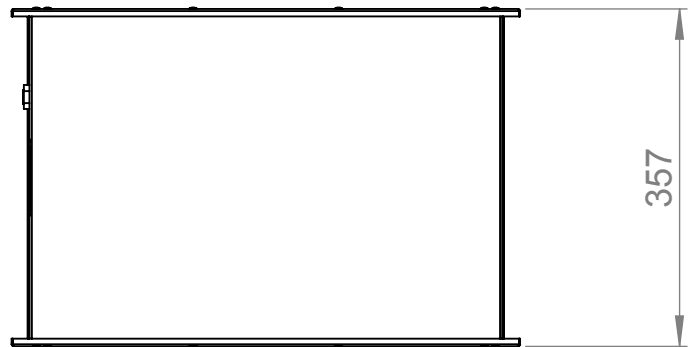
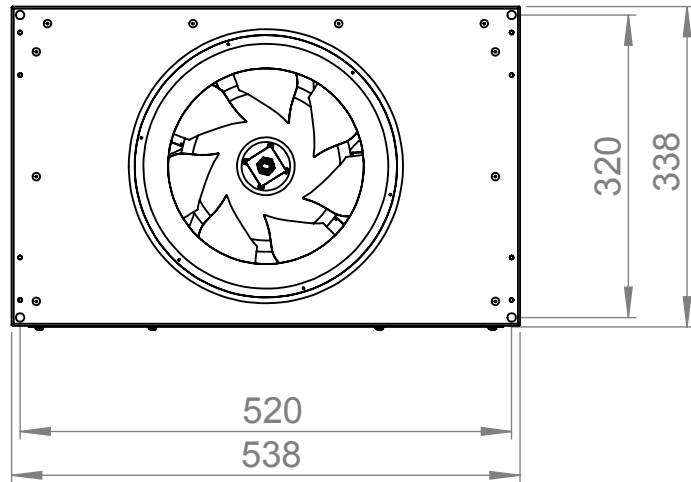
- ETALINE duct fans
- Galvanized metal housing
- Speed controllable
- Integrated thermostatic switch
- Fan section removable

— ErP compliant range

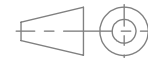
Operating Point		1	2	3	4	5
Current I	A	1,1	0,9	1,2	1,2	1,2
Power consumption P <sub>i</sub>	W	257	209	272	281	262
Rotation speed n	1/min	2834	2886	2818	2812	2836
SWL inlet L <sub>WA5</sub>	dB(A)	81	79	78	77	80
SWL outlet L <sub>WA6</sub>	dB(A)	84	81	79	78	81
SWL housing break out L <sub>WA2</sub>	dB(A)	64	64	61	58	60

Sound power (L <sub>W</sub> ) dB(A)		Medium Frequency Band								
		Σ	63	125	250	500	1k	2k	4k	8k
Inlet	L <sub>WA5</sub>	78	-	54	69	73	72	70	66	58
Outlet	L <sub>WA6</sub>	79	-	60	66	73	75	73	67	59
Housing radiation	L <sub>WA2</sub>	61	55	53	54	53	52	49	44	37

ELKI 5030 E2 10   127742	
Voltage U <sub>N</sub>	230 V 1~
Current I <sub>max</sub>	1,7 A
Ambient temperature t <sub>A</sub>	55 °C
Conveyed medium temperature t <sub>M</sub>	55 °C
Speed Control	V
Motor protection	TMI
Insulation class motor	F
Weight	16,5 kg
Number of poles	2
IP motor	IP00
IP terminal box	IP44
IP complete unit	IPX4
Min. operating temperature	-25 °C



ruck Ventilatoren  
Max-Planck-Str. 5  
D-97944 Boxberg



1:8 A4 mm

Protection Mark  
according to ISO16016

General tolerances  
DIN ISO 2768-mK

**ELKI5030E210**

Drawn: a.mezei  
Created: s.pop  
Changed: a.mezei

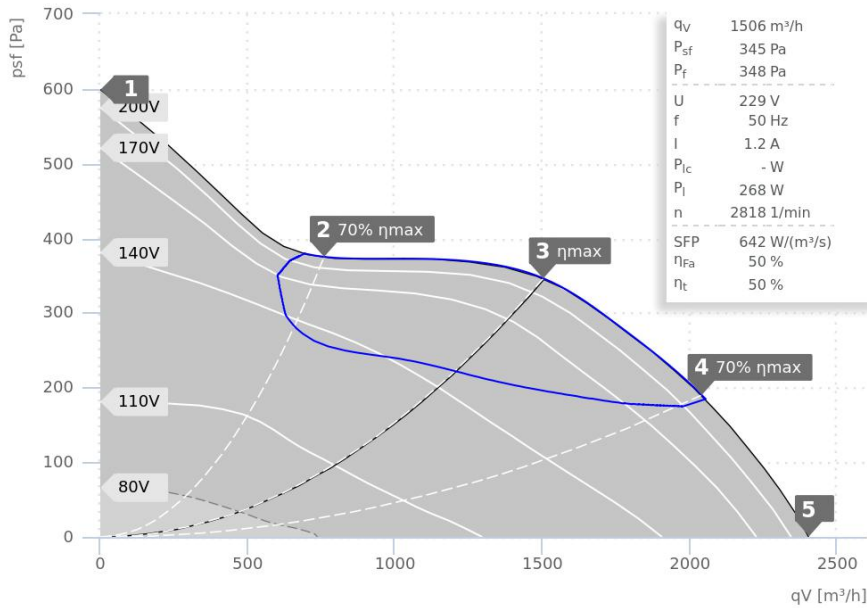
01.04.13  
18.03.13  
01.04.13

**127742 00**



# DATA SHEET

## ELKI 6030 E2 10 | 127738



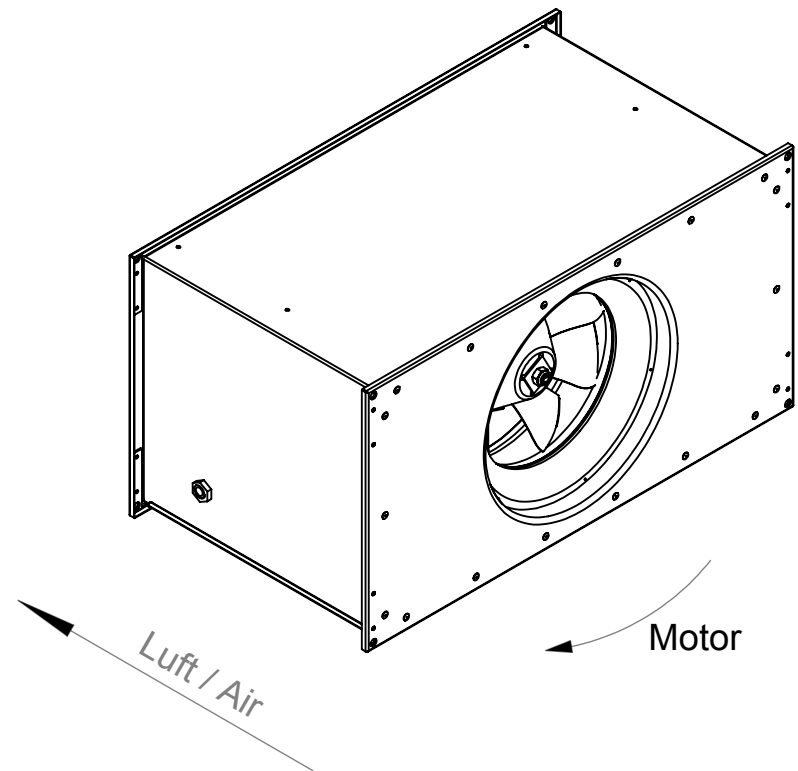
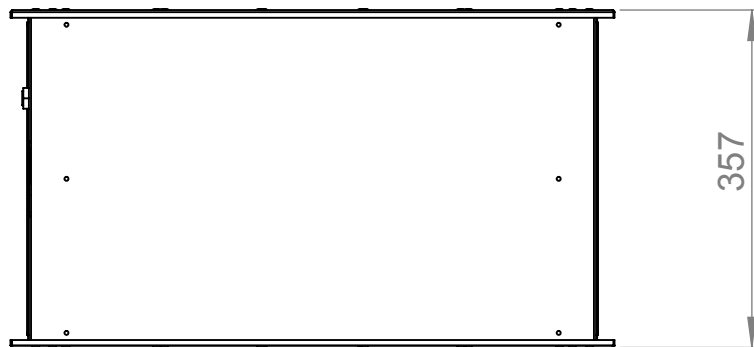
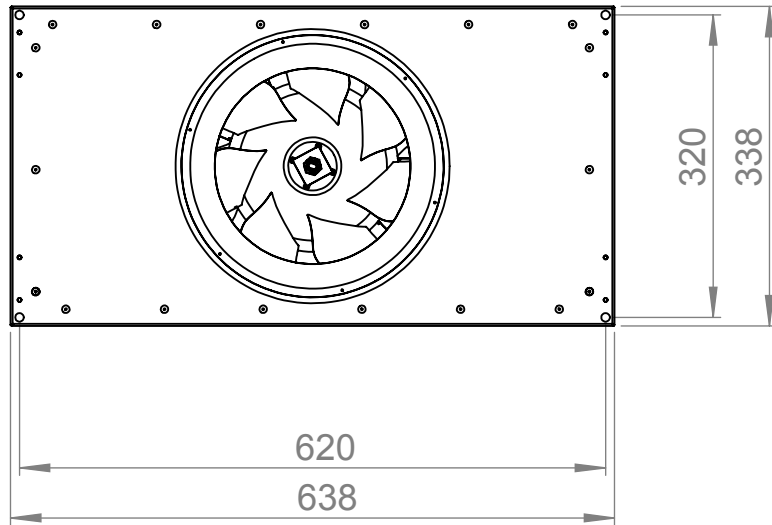
- ETALINE duct fans
- Galvanized metal housing
- Speed controllable
- Integrated thermostatic switch
- Fan section removable

— ErP compliant range

Operating Point		1	2	3	4	5
Current I	A	1,1	1,0	1,2	1,2	1,2
Power consumption P <sub>i</sub>	W	254	211	269	281	261
Rotation speed n	1/min	2834	2880	2820	2817	2841
SWL inlet L <sub>WA5</sub>	dB(A)	81	79	78	77	80
SWL outlet L <sub>WA6</sub>	dB(A)	84	81	81	79	82
SWL housing break out L <sub>WA2</sub>	dB(A)	64	62	58	57	59

Sound power (L <sub>w</sub> ) dB(A)		Medium Frequency Band								
		Σ	63	125	250	500	1k	2k	4k	8k
Inlet	L <sub>WA5</sub>	78	-	58	69	74	73	70	67	59
Outlet	L <sub>WA6</sub>	81	-	64	69	75	76	74	69	61
Housing radiation	L <sub>WA2</sub>	58	47	52	54	47	48	47	41	32

ELKI 6030 E2 10   127738	
Voltage U <sub>N</sub>	230 V 1~
Current I <sub>max</sub>	1,7 A
Ambient temperature t <sub>A</sub>	55 °C
Conveyed medium temperature t <sub>M</sub>	55 °C
Speed Control	V
Motor protection	TMI
Insulation class motor	F
Weight	17,5 kg
Number of poles	2
IP motor	IP00
IP terminal box	IP44
IP complete unit	IPX4
Min. operating temperature	-25 °C



1:8 A4 mm

**ruck**<sup>EU</sup>  
VENTILATOREN

ruck Ventilatoren  
Max-Planck-Str. 5  
D-97944 Boxberg

Protection Mark  
according to ISO16016

Drawn: a.mezei  
Created: s.pop  
Changed: a.mezei

General tolerances  
DIN ISO 2768-mK

01.04.13  
18.03.13  
01.04.13

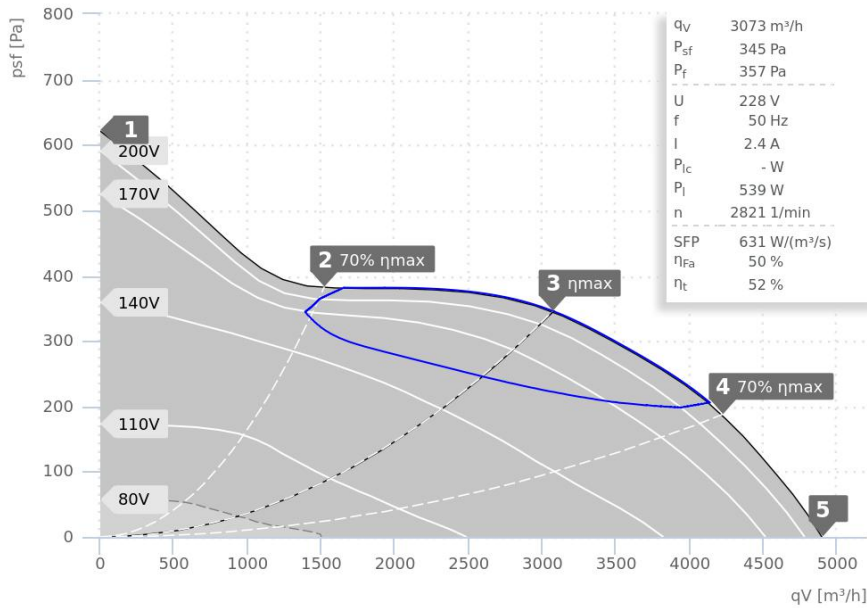
**ELKI6030E210**

**127738 00**

**VENTAS**  
VENTILATORER

# DATA SHEET

## ELKI 6030 E2 11 | 127740



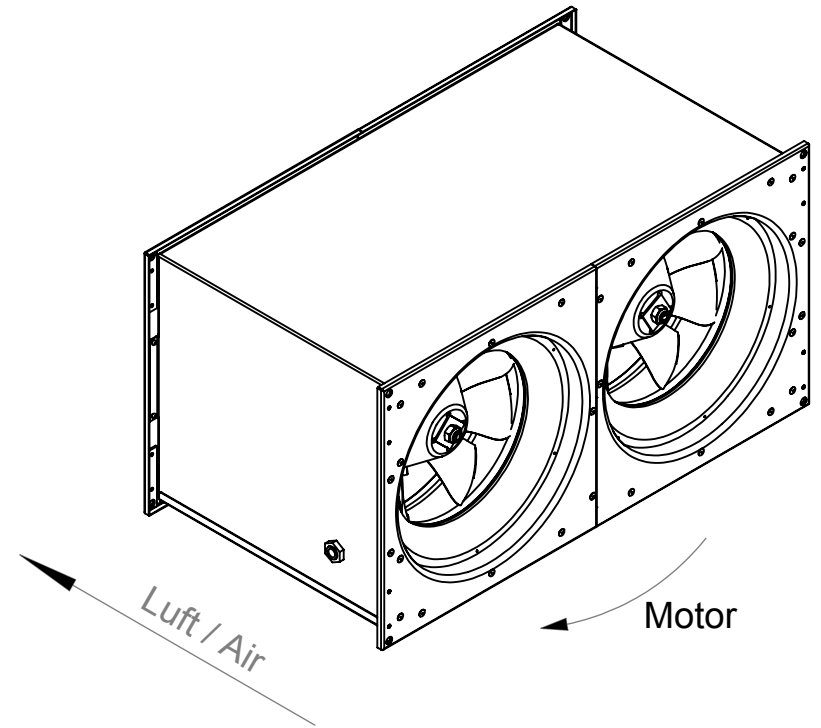
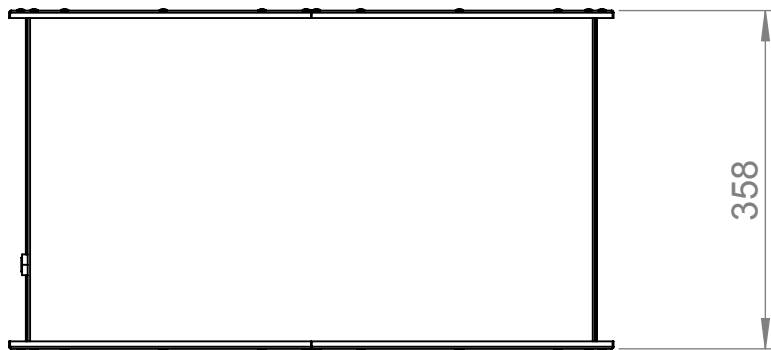
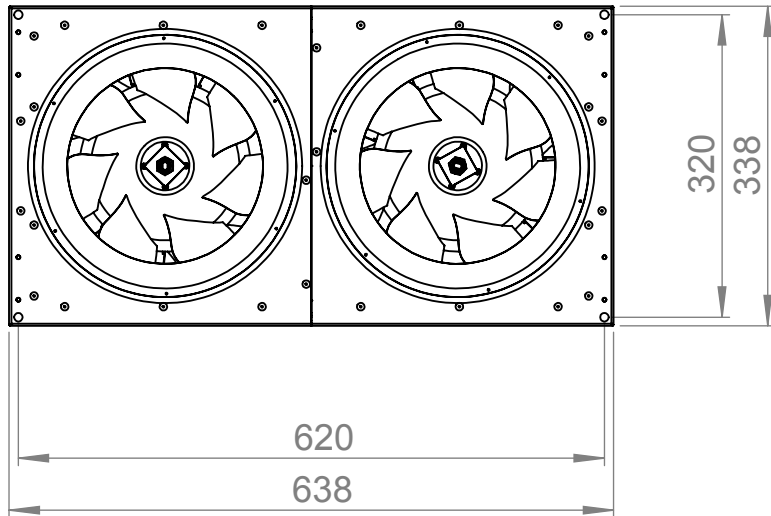
- ETALINE duct fans
- Galvanized metal housing
- Speed controllable
- Integrated thermostatic switch
- Fan section removable

— ErP compliant range

Operating Point		1	2	3	4	5
Current I	A	2,3	1,9	2,4	2,5	2,3
Power consumption P <sub>1</sub>	W	529	427	541	563	521
Rotation speed n	1/min	2826	2884	2826	2817	2840
SWL inlet L <sub>WA5</sub>	dB(A)	85	81	80	81	83
SWL outlet L <sub>WA6</sub>	dB(A)	87	84	82	82	85
SWL housing break out L <sub>WA2</sub>	dB(A)	68	66	63	62	65

Sound power (L <sub>W</sub> ) dB(A)		Medium Frequency Band								
		Σ	63	125	250	500	1k	2k	4k	8k
Inlet	L <sub>WA5</sub>	80	-	55	71	74	74	72	69	61
Outlet	L <sub>WA6</sub>	82	-	58	70	76	77	75	70	62
Housing radiation	L <sub>WA2</sub>	63	56	49	58	55	54	53	46	36

ELKI 6030 E2 11   127740	
Voltage U <sub>N</sub>	230 V 1~
Current I <sub>max</sub>	3,3 A
Ambient temperature t <sub>A</sub>	55 °C
Conveyed medium temperature t <sub>M</sub>	55 °C
Speed Control	V
Motor protection	TMI
Insulation class motor	F
Weight	25,7 kg
Number of poles	2
IP motor	IP00
IP terminal box	IP44
IP complete unit	IPX4
Min. operating temperature	-25 °C



1:8 A4 mm

**ruck**<sup>EU</sup>  
VENTILATOREN

ruck Ventilatoren  
Max-Planck-Str. 5  
D-97944 Boxberg

Protection Mark  
according to ISO16016

Drawn: a.mezei  
Created: s.pop  
Changed: a.mezei

General tolerances  
DIN ISO 2768-mK

01.04.13  
18.03.13  
01.04.13

**ELKI6030E211**

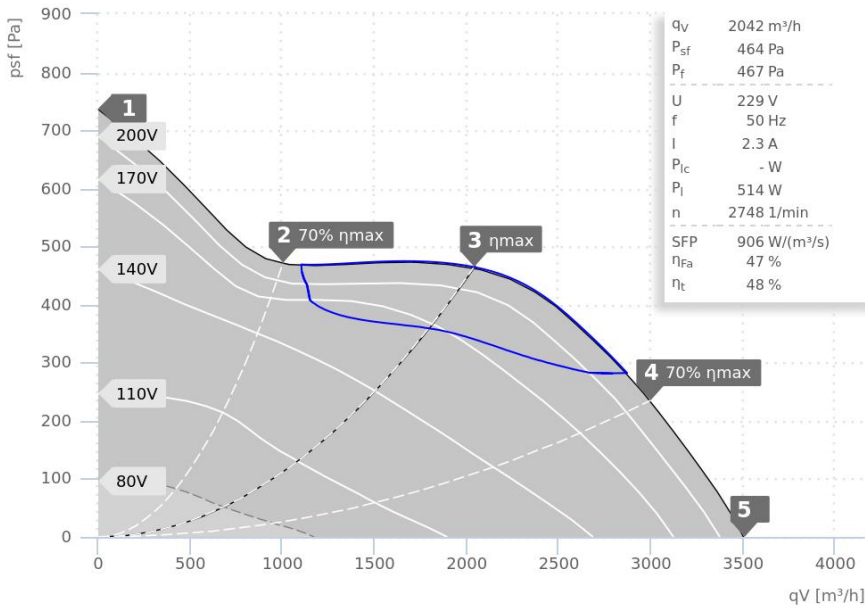
**127740 00**

**VENTAS**  
VENTILATORER



# DATA SHEET

## ELKI 6035 E2 10 | 127736



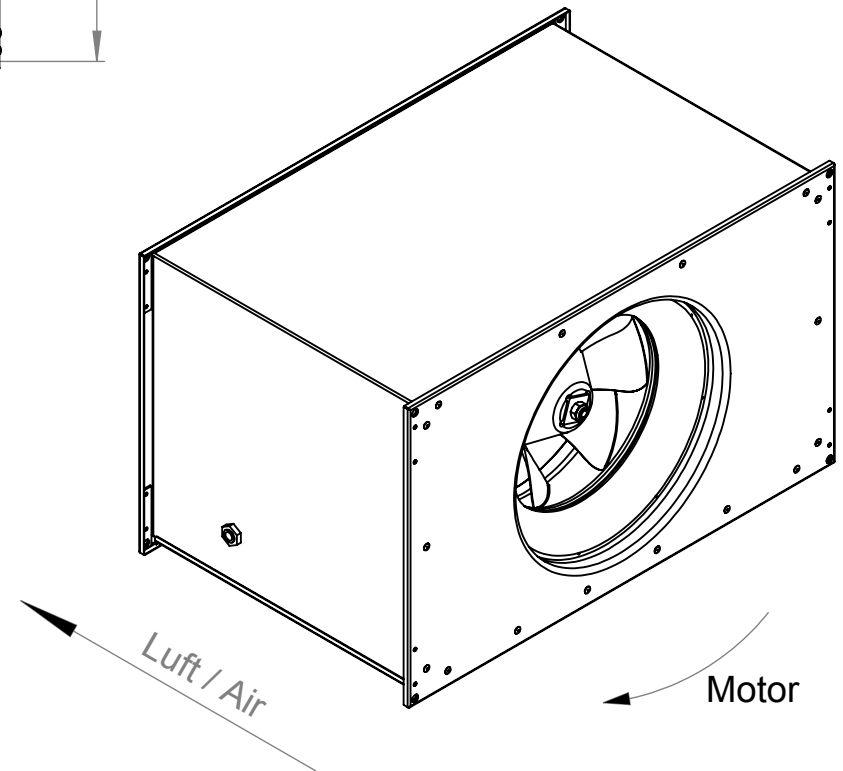
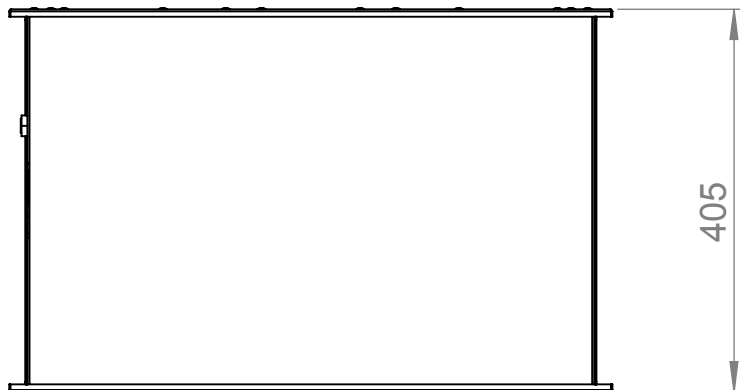
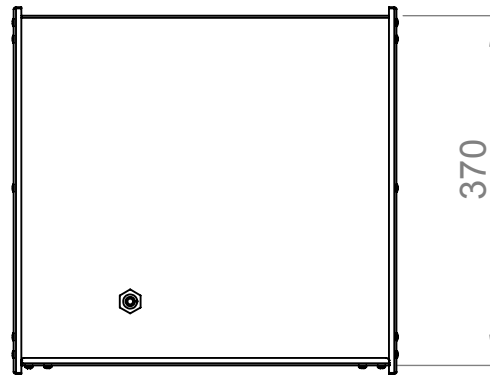
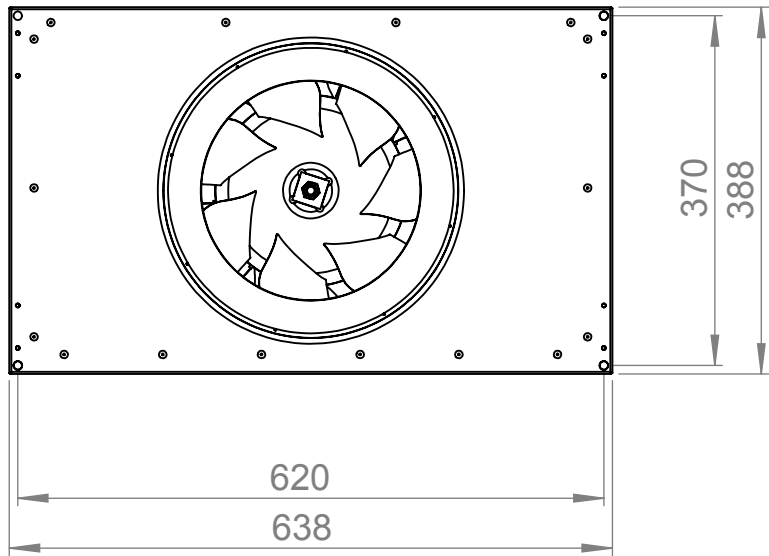
- ETALINE duct fans
- Galvanized metal housing
- Speed controllable
- Integrated thermostatic switch
- Fan section removable

— ErP compliant range

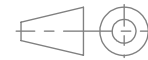
Operating Point		1	2	3	4	5
Current I	A	2,1	1,6	2,3	2,4	2,2
Power consumption P <sub>i</sub>	W	457	368	515	544	494
Rotation speed n	1/min	2793	2852	2753	2741	2783
SWL inlet L <sub>WA5</sub>	dB(A)	85	82	82	81	83
SWL outlet L <sub>WA6</sub>	dB(A)	88	85	85	83	85
SWL housing break out L <sub>WA2</sub>	dB(A)	66	64	63	59	60

Sound power (L <sub>W</sub> ) dB(A)		Medium Frequency Band								
		Σ	63	125	250	500	1k	2k	4k	8k
Inlet	L <sub>WA5</sub>	82	-	64	72	77	77	74	71	62
Outlet	L <sub>WA6</sub>	85	-	73	71	80	81	79	73	65
Housing radiation	L <sub>WA2</sub>	63	56	58	54	53	56	53	52	40

ELKI 6035 E2 10   127736	
Voltage U <sub>N</sub>	230 V 1~
Current I <sub>max</sub>	3,2 A
Ambient temperature t <sub>A</sub>	70 °C
Conveyed medium temperature t <sub>M</sub>	70 °C
Speed Control	V
Motor protection	TMI
Insulation class motor	F
Weight	25,2 kg
Number of poles	2
IP motor	IP54
IP terminal box	IP44
IP complete unit	IPX4
Min. operating temperature	-25 °C



ruck Ventilatoren  
Max-Planck-Str. 5  
D-97944 Boxberg



Protection Mark  
according to ISO16016

Drawn: a.mezei  
Created: s.pop  
Changed:

1:8 A4 mm

General tolerances  
DIN ISO 2768-mK

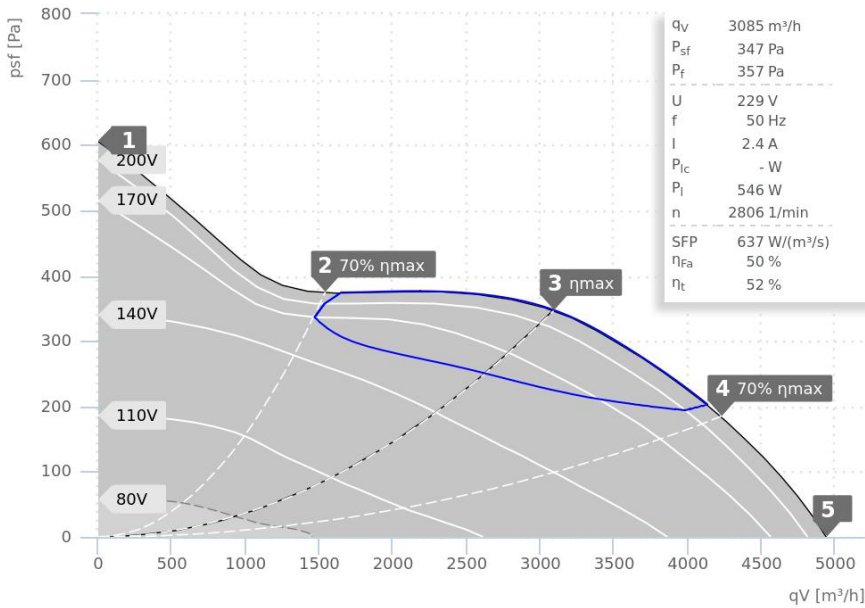
**ELKI6035E210**

**127736 00**



# DATA SHEET

## ELKI 6035 E2 11 | 127734



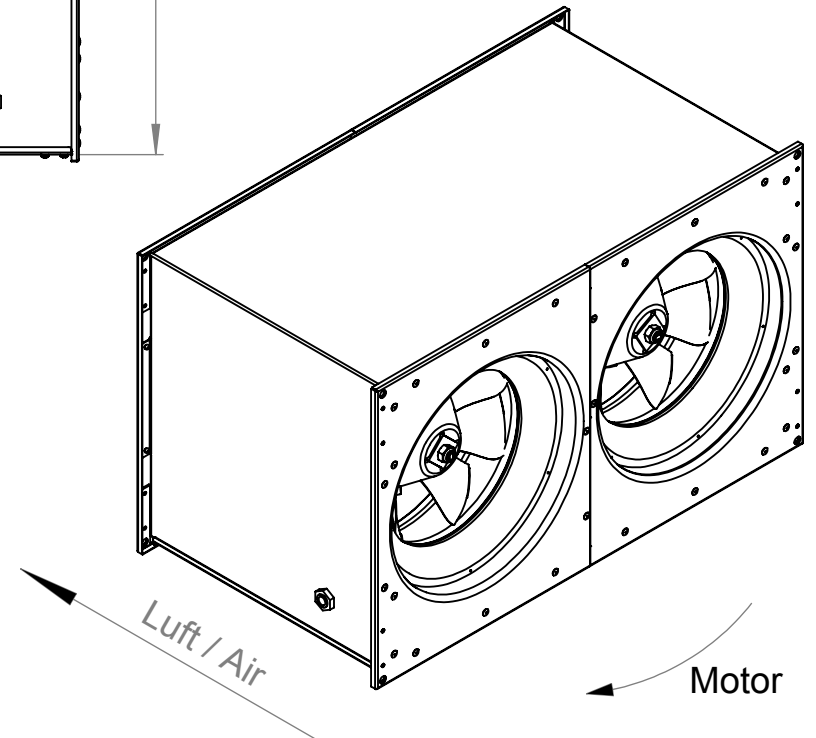
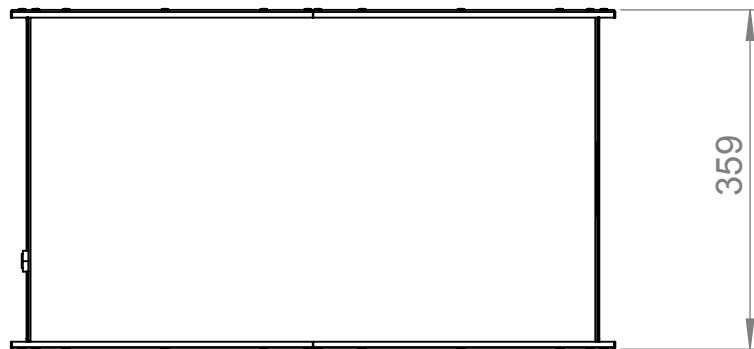
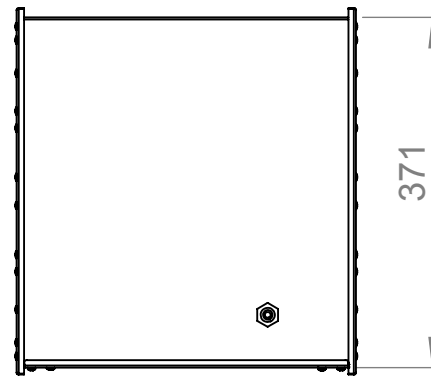
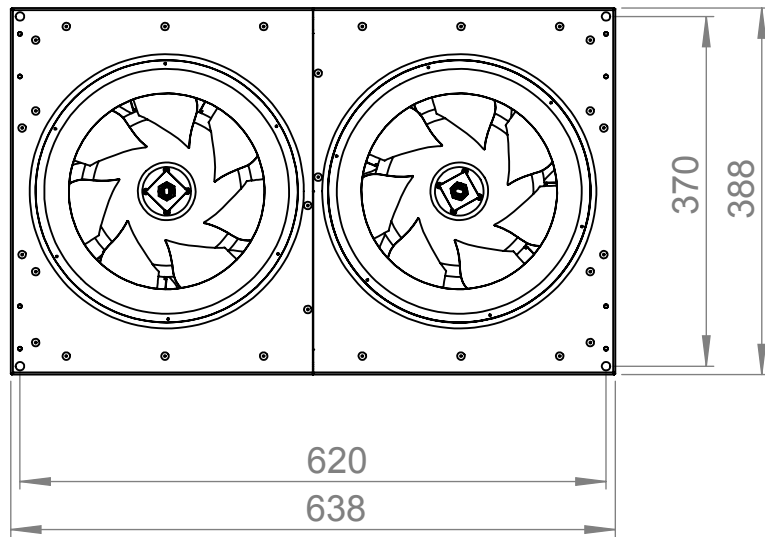
- ETALINE duct fans
- Galvanized metal housing
- Speed controllable
- Integrated thermostatic switch
- Fan section removable

— ErP compliant range

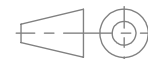
Operating Point		1	2	3	4	5
Current I	A	2,3	1,9	2,4	2,5	2,3
Power consumption P <sub>1</sub>	W	518	424	548	559	517
Rotation speed n	1/min	2820	2878	2810	2795	2817
SWL inlet L <sub>WA5</sub>	dB(A)	85	82	80	80	83
SWL outlet L <sub>WA6</sub>	dB(A)	87	85	82	82	85
SWL housing break out L <sub>WA2</sub>	dB(A)	67	67	66	62	63

Sound power (L <sub>W</sub> ) dB(A)		Medium Frequency Band								
		Σ	63	125	250	500	1k	2k	4k	8k
Inlet	L <sub>WA5</sub>	80	-	58	71	75	75	73	69	62
Outlet	L <sub>WA6</sub>	82	-	60	71	77	77	75	70	62
Housing radiation	L <sub>WA2</sub>	65	62	55	59	56	54	53	46	36

ELKI 6035 E2 11   127734	
Voltage U <sub>N</sub>	230 V 1~
Current I <sub>max</sub>	3,3 A
Ambient temperature t <sub>A</sub>	55 °C
Conveyed medium temperature t <sub>M</sub>	55 °C
Speed Control	V
Motor protection	TMI
Insulation class motor	F
Weight	26,4 kg
Number of poles	2
IP motor	IP00
IP terminal box	IP44
IP complete unit	IPX4
Min. operating temperature	-25 °C



ruck Ventilatoren  
Max-Planck-Str. 5  
D-97944 Boxberg



1:8 A4 mm

Protection Mark  
according to ISO16016

General tolerances  
DIN ISO 2768-mK

**ELKI6035E211**

Drawn: a.mezei  
Created: s.pop  
Changed: a.mezei

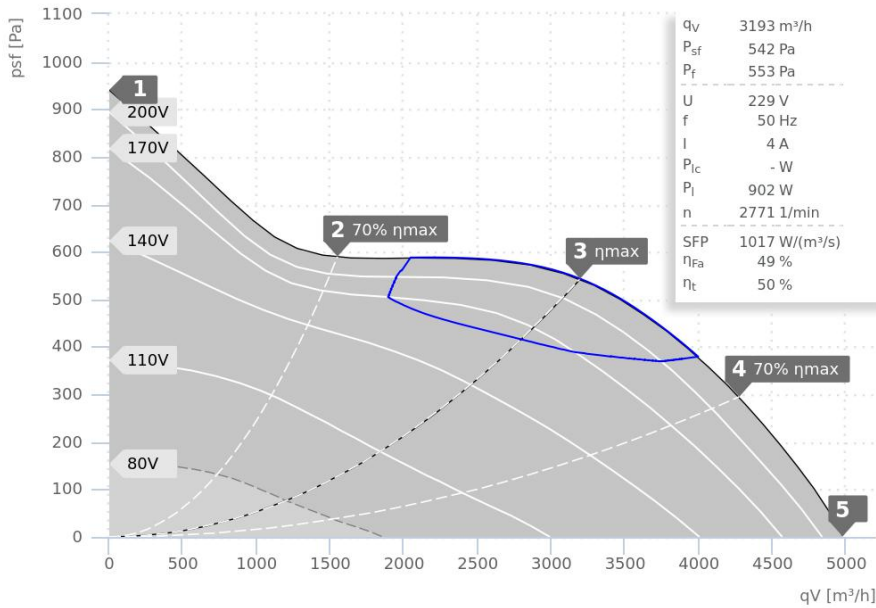
02.04.13  
18.03.13  
02.04.13

**127734 00**



# DATA SHEET

## ELKI 6035 E2 12 | 127732



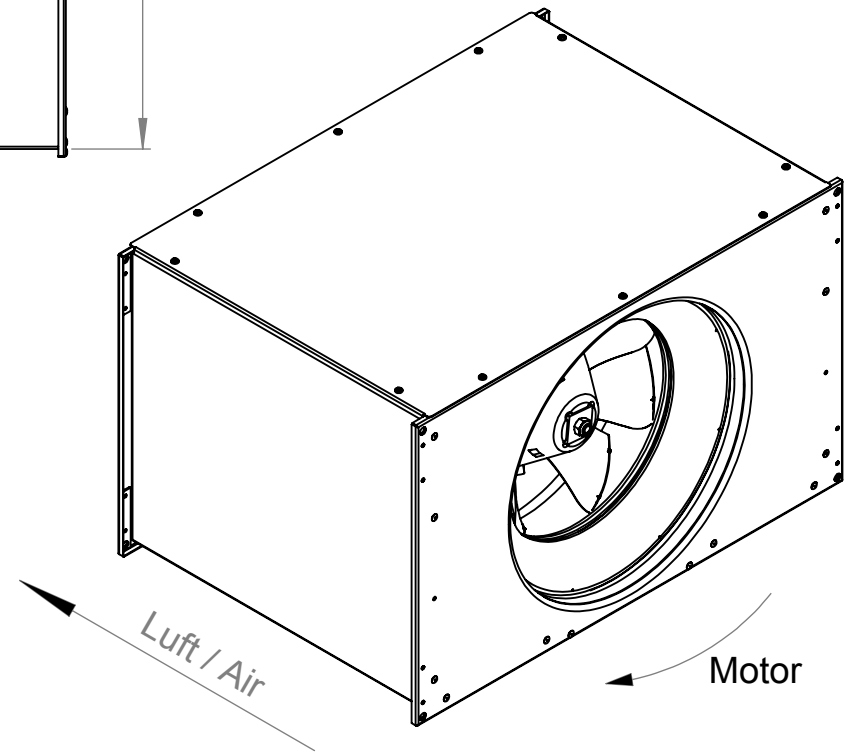
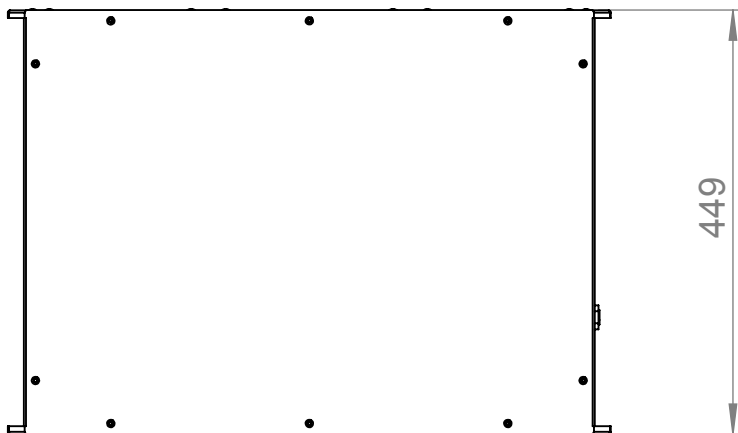
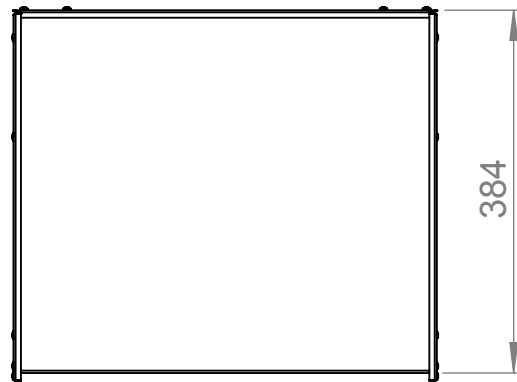
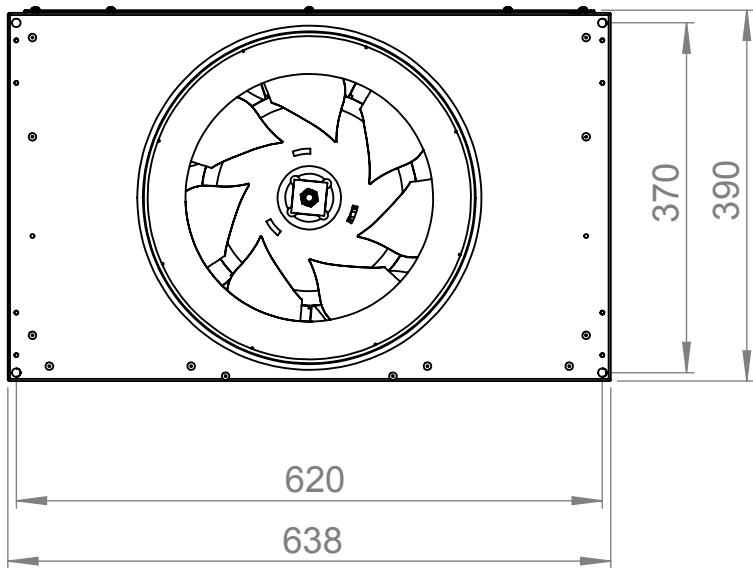
- ETALINE duct fans
- Galvanized metal housing
- Speed controllable
- Integrated thermostatic switch
- Fan section removable

— ErP compliant range

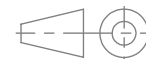
Operating Point		1	2	3	4	5
Current I	A	3,6	3,0	4,0	4,1	3,8
Power consumption P <sub>i</sub>	W	805	683	903	931	856
Rotation speed n	1/min	2797	2852	2774	2774	2803
SWL inlet L <sub>WA5</sub>	dB(A)	89	86	85	84	87
SWL outlet L <sub>WA6</sub>	dB(A)	92	88	85	86	89
SWL housing break out L <sub>WA2</sub>	dB(A)	70	66	64	62	68

Sound power (L <sub>W</sub> ) dB(A)		Medium Frequency Band								
		Σ	63	125	250	500	1k	2k	4k	8k
Inlet	L <sub>WA5</sub>	84	-	64	72	78	81	78	73	65
Outlet	L <sub>WA6</sub>	85	-	59	69	79	81	79	73	65
Housing radiation	L <sub>WA2</sub>	64	54	56	55	56	57	54	53	48

ELKI 6035 E2 12   127732	
Voltage U <sub>N</sub>	230 V 1~
Current I <sub>max</sub>	5,2 A
Ambient temperature t <sub>A</sub>	45 °C
Conveyed medium temperature t <sub>M</sub>	45 °C
Speed Control	V
Motor protection	TMI
Insulation class motor	F
Weight	27,5 kg
Number of poles	2
IP motor	IP00
IP terminal box	IP44
IP complete unit	IPX4
Min. operating temperature	-25 °C



ruck Ventilatoren  
Max-Planck-Str. 5  
D-97944 Boxberg



1:8 A4 mm

Protection Mark  
according to ISO16016

General tolerances  
DIN ISO 2768-mK

**ELKI6035E212**

Drawn: a.mezei  
Created: s.pop  
Changed:

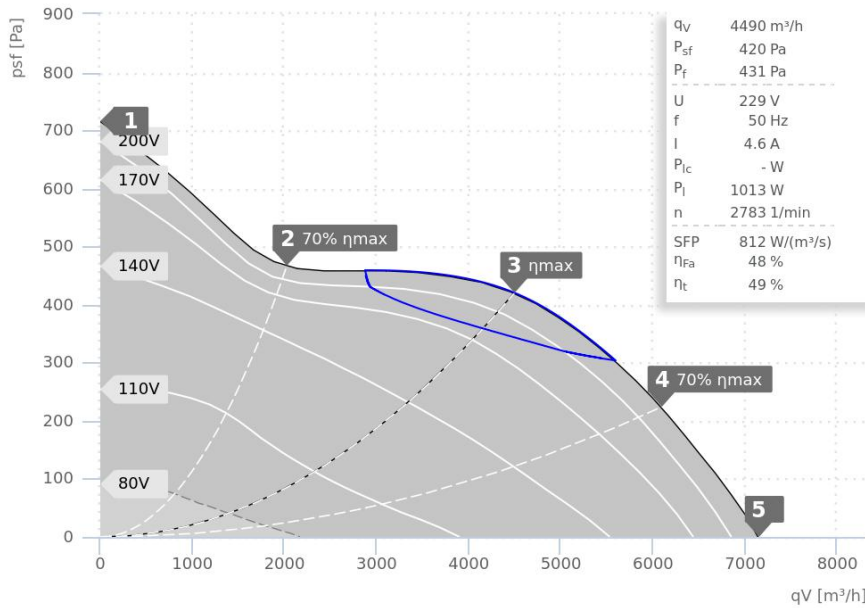
02.04.13  
18.03.13

**127732 00**



# DATA SHEET

## ELKI 7040 E2 10 | 127730



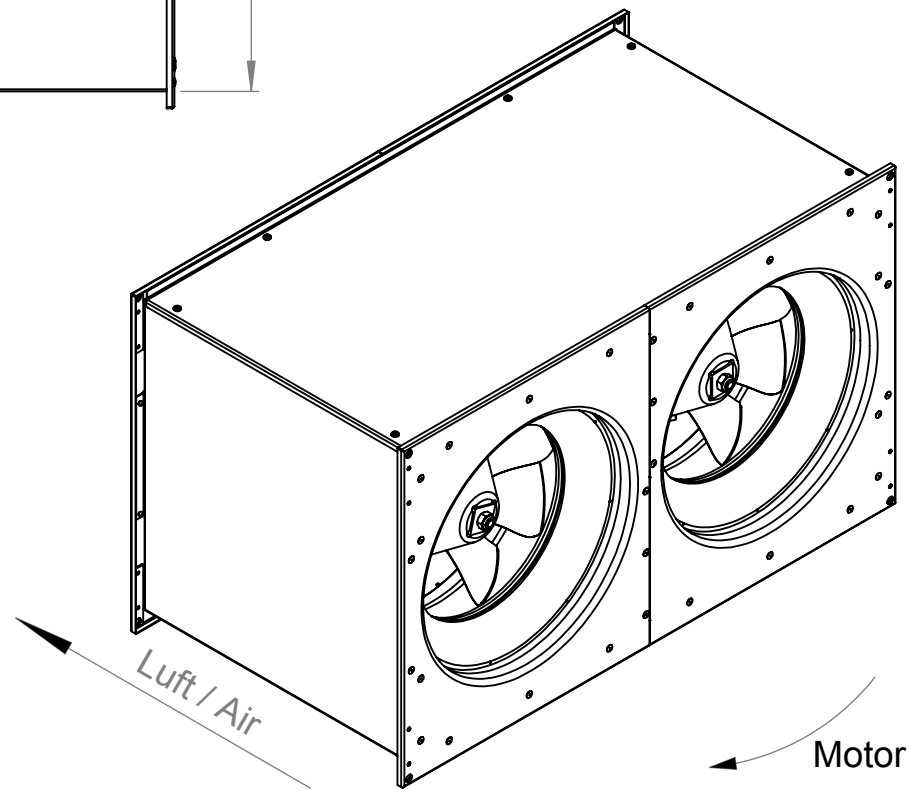
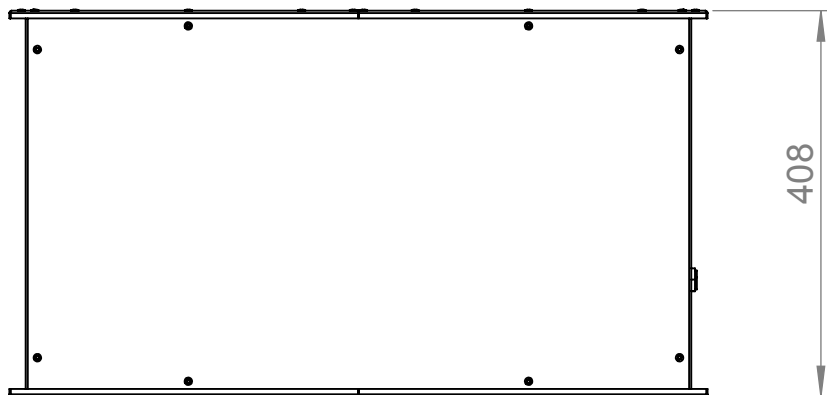
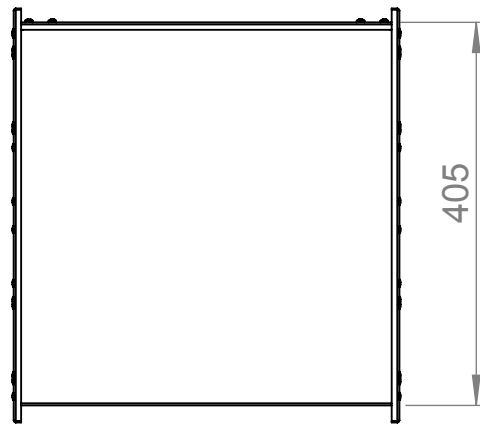
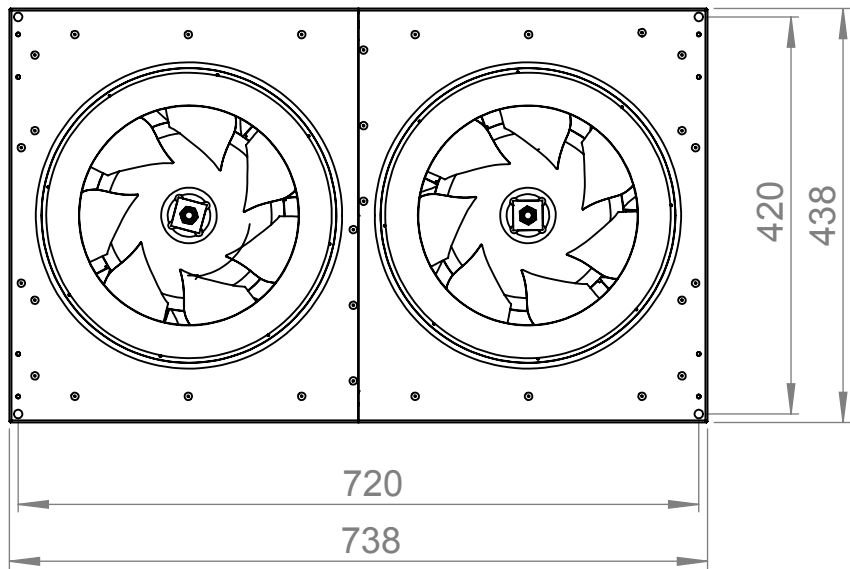
- ETALINE duct fans
- Galvanized metal housing
- Speed controllable
- Integrated thermostatic switch
- Fan section removable

— ErP compliant range

Operating Point		1	2	3	4	5
Current I	A	4,1	3,3	4,6	4,6	4,3
Power consumption P <sub>l</sub>	W	883	734	1016	1033	950
Rotation speed n	1/min	2806	2862	2787	2780	2804
SWL inlet L <sub>WA5</sub>	dB(A)	88	86	84	83	86
SWL outlet L <sub>WA6</sub>	dB(A)	91	89	86	85	88
SWL housing break out L <sub>WA2</sub>	dB(A)	68	66	63	62	64

Sound power (L <sub>W</sub> ) dB(A)		Medium Frequency Band								
		Σ	63	125	250	500	1k	2k	4k	8k
Inlet	L <sub>WA5</sub>	84	-	59	71	78	79	77	74	66
Outlet	L <sub>WA6</sub>	86	-	60	72	79	82	79	75	67
Housing radiation	L <sub>WA2</sub>	63	49	52	56	54	57	56	50	38

ELKI 7040 E2 10   127730	
Voltage U <sub>N</sub>	230 V 1~
Current I <sub>max</sub>	6,6 A
Ambient temperature t <sub>A</sub>	70 °C
Conveyed medium temperature t <sub>M</sub>	70 °C
Speed Control	V
Motor protection	TMI
Insulation class motor	F
Weight	41,6 kg
Number of poles	2
IP motor	IP54
IP terminal box	IP44
IP complete unit	IPX4
Min. operating temperature	-25 °C



ruck Ventilatoren  
Max-Planck-Str. 5  
D-97944 Boxberg



1:8 A4 mm

Protection Mark  
according to ISO16016

General tolerances  
DIN ISO 2768-mK

Drawn: a.mezei  
Created: s.pop  
Changed:

02.04.13  
18.03.13

**ELKI7040E210**

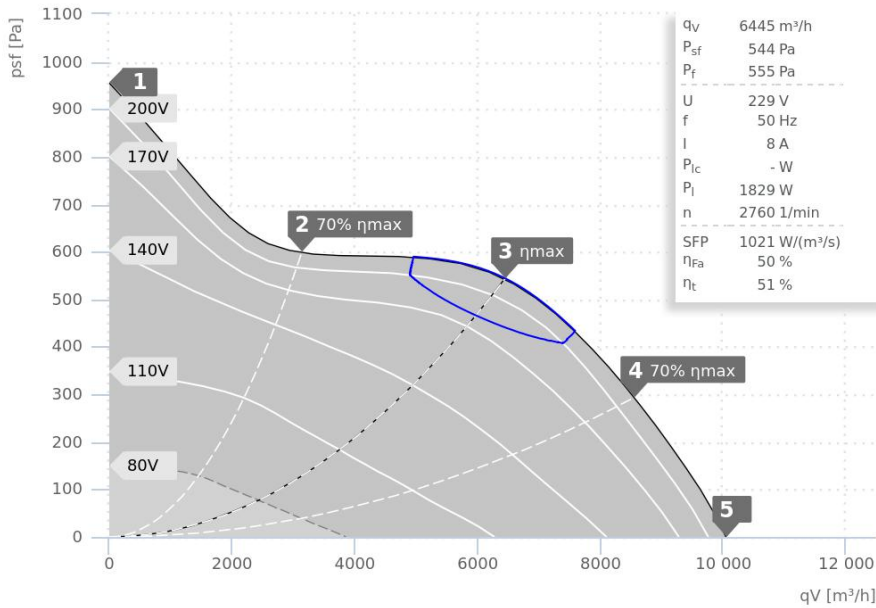
**127730 00**





# DATA SHEET

## ELKI 8050 E2 10 | 127728



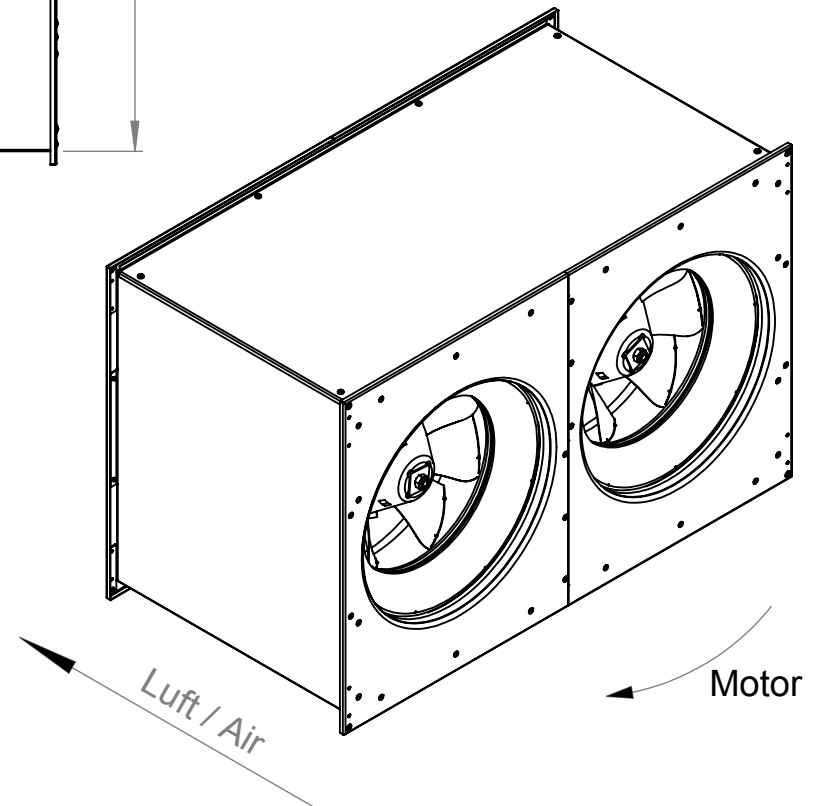
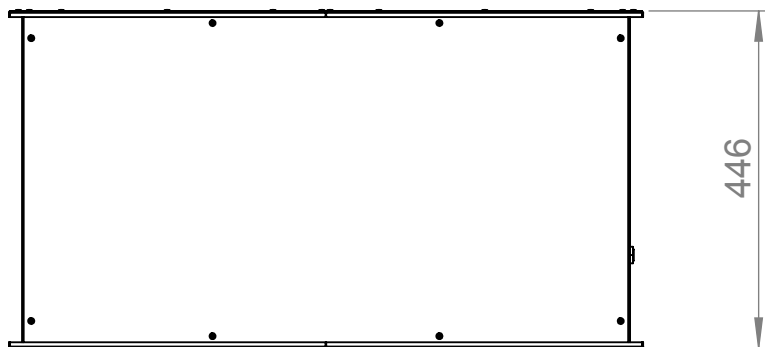
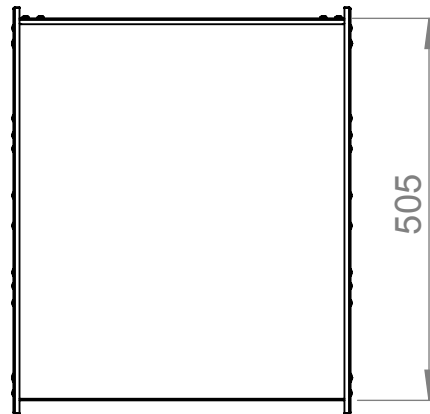
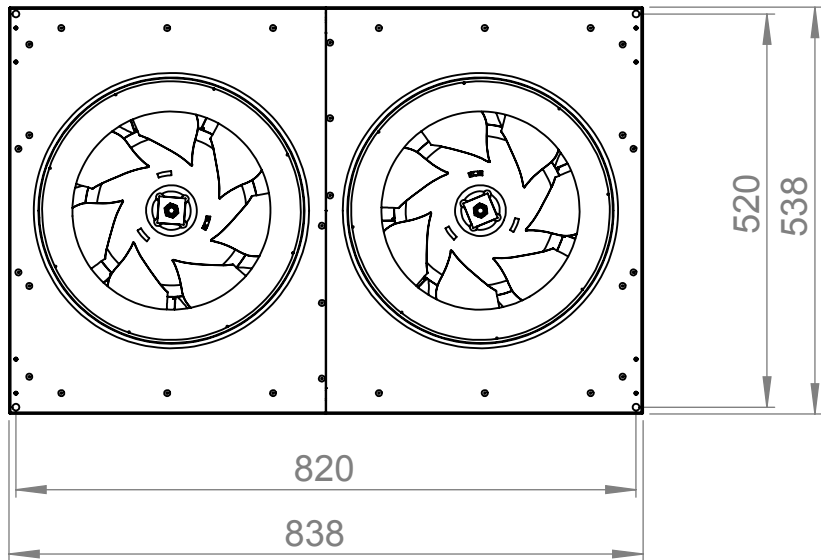
- ETALINE duct fans
- Galvanized metal housing
- Speed controllable
- Integrated thermostatic switch
- Fan section removable

— ErP compliant range

Operating Point		1	2	3	4	5
Current I	A	7,4	6,1	8,0	8,2	7,5
Power consumption P <sub>i</sub>	W	1679	1410	1834	1881	1734
Rotation speed n	1/min	2789	2842	2764	2744	2776
SWL inlet L <sub>WA5</sub>	dB(A)	92	90	87	87	89
SWL outlet L <sub>WA6</sub>	dB(A)	95	93	90	89	92
SWL housing break out L <sub>WA2</sub>	dB(A)	74	71	66	67	70

Sound power (L <sub>w</sub> ) dB(A)		Medium Frequency Band								
		Σ	63	125	250	500	1k	2k	4k	8k
Inlet	L <sub>WA5</sub>	87	-	63	77	80	82	81	77	70
Outlet	L <sub>WA6</sub>	89	-	65	75	83	85	83	79	70
Housing radiation	L <sub>WA2</sub>	66	52	53	58	60	61	57	50	42

ELKI 8050 E2 10   127728	
Voltage U <sub>N</sub>	230 V 1~
Current I <sub>max</sub>	10,6 A
Ambient temperature t <sub>A</sub>	45 °C
Conveyed medium temperature t <sub>M</sub>	45 °C
Speed Control	V
Motor protection	TMI
Insulation class motor	F
Weight	48,7 kg
Number of poles	2
IP motor	IP00
IP terminal box	IP44
IP complete unit	IPX4
Min. operating temperature	-25 °C



ruck Ventilatoren  
Max-Planck-Str. 5  
D-97944 Boxberg



Protection Mark  
according to ISO16016

Drawn: a.mezei  
Created: s.pop  
Changed:

1:8 A4 mm

General tolerances  
DIN ISO 2768-mK

ELKI8050E210

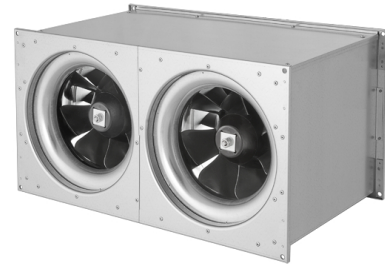
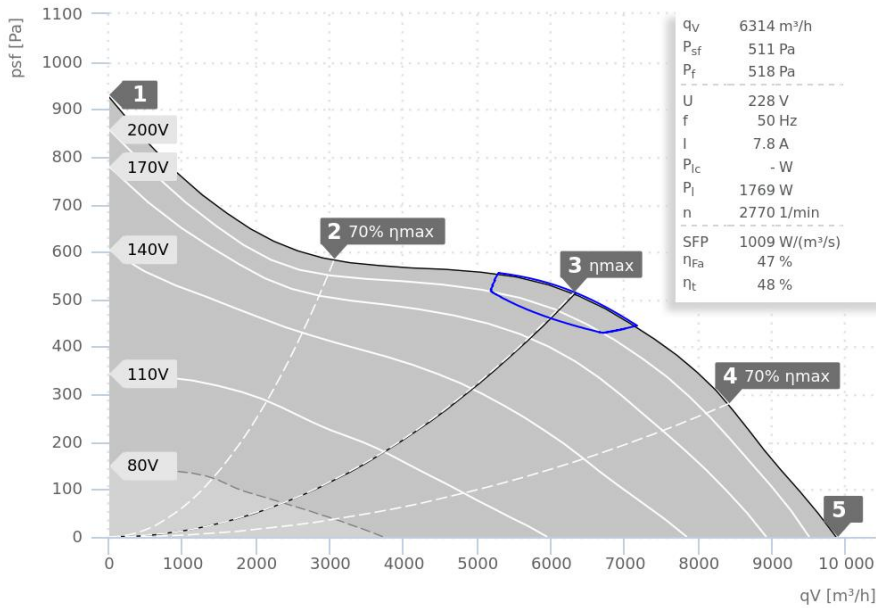
127728 00



# DATA SHEET

**ruck**.eu  
VENTILATOREN

ELKI 10050 E2 10 | 130321



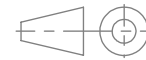
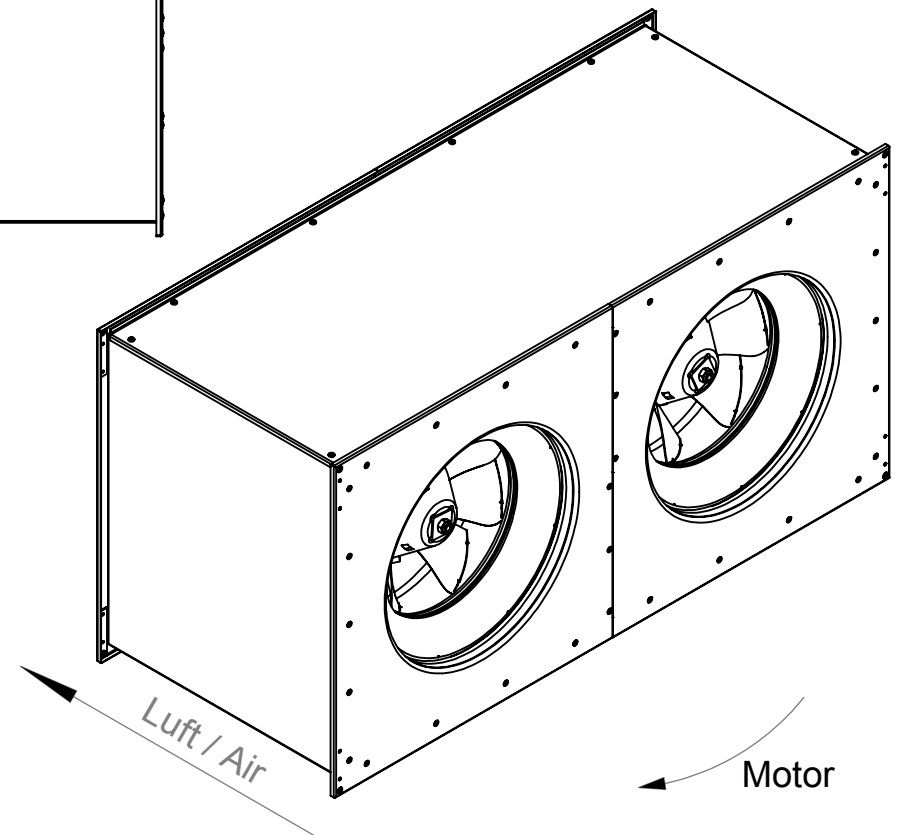
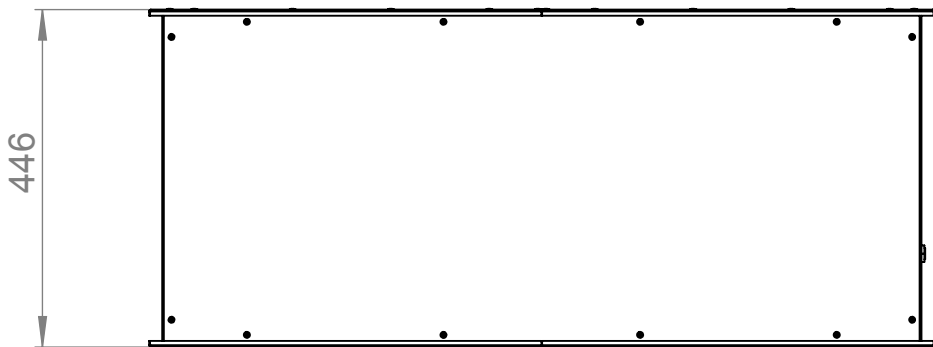
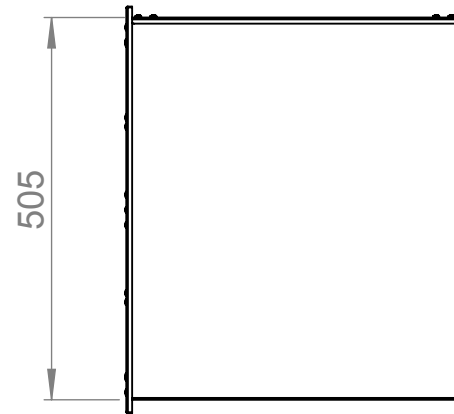
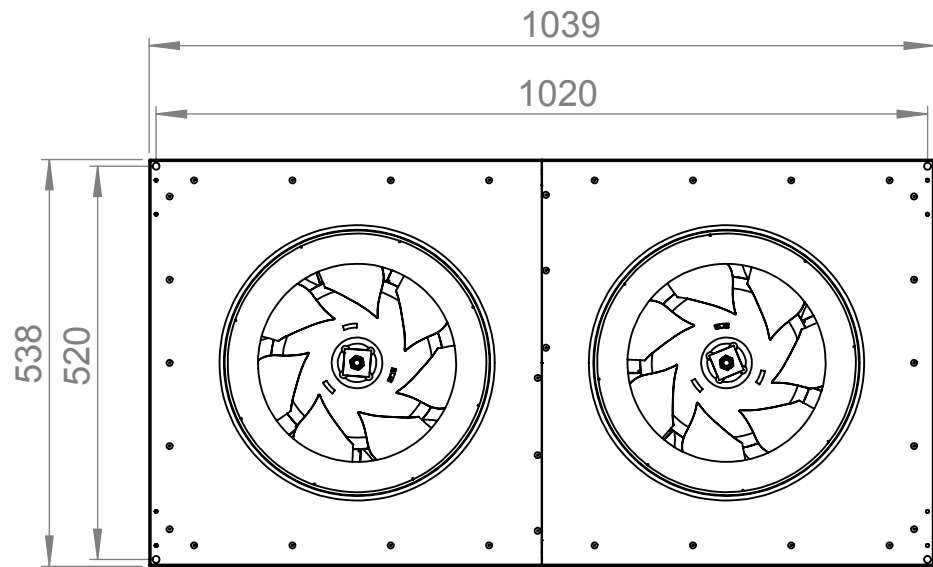
- ETALINE duct fans
- Galvanized metal housing
- Speed controllable
- Integrated thermostatic switch
- Fan section removable

— ErP compliant range

Operating Point		1	2	3	4	5
Current $I$	A	7,3	6,1	7,8	8,1	7,6
Power consumption $P_1$	W	1665	1398	1778	1846	1731
Rotation speed $n$	1/min	2792	2834	2777	2768	2787
SWL inlet $L_{WA5}$	dB(A)	92	89	85	85	88
SWL outlet $L_{WA6}$	dB(A)	97	93	89	88	91
SWL housing break out $L_{WA2}$	dB(A)	73	69	63	63	65

Sound power ( $L_W$ ) dB(A)		Medium Frequency Band								
		$\Sigma$	63	125	250	500	1k	2k	4k	8k
Inlet	$L_{WA5}$	85	51	60	74	78	81	79	75	68
Outlet	$L_{WA6}$	88	50	62	73	83	84	82	77	69
Housing radiation	$L_{WA2}$	63	47	51	54	55	57	57	51	47

ELKI 10050 E2 10   130321	
Voltage $U_N$	230 V 1~
Current $I_{max}$	10,2 A
Ambient temperature $t_A$	45 °C
Conveyed medium temperature $t_M$	45 °C
Speed Control	V
Motor protection	TMI
Insulation class motor	F
Weight	53,0 kg
Number of poles	2
IP motor	IP00
IP terminal box	IP44
IP complete unit	IPX4
Min. operating temperature	-25 °C



1:8 A4 mm

**ruck**<sup>EU</sup>  
VENTILATOREN

ruck Ventilatoren  
Max-Planck-Str. 5  
D-97944 Boxberg

Protection Mark  
according to ISO16016

Drawn: a.mezei  
Created: a.mezei  
Changed:

General tolerances  
DIN ISO 2768-mK

30.05.14  
29.05.14

**ELKI10050E210**

**130321 00**

**VENTAS**  
VENTILATORER