

CHELYS SIGILA



IN LINE SILENT FAN

MANUFACTURING FEATURES

- In-line fan made of coated steel with black polymer.
- Thermal and acoustic insulation of 50mm thick rock wool. The inner casing perforation let sound waves pass through the holes and fall at a specific angle to the sound-absorbing layer thus providing sound attenuation in a broad frequency band.
- Conic impeller with special blade profiling to increase air flow speed and provide higher pressure and air capacity
- Internal housing and turbine made of durable, high quality ABS plastic.
- External connection box completely sealed.
- Single-phase, 2-speed motor, with long-life ball bearings (40,000h) with thermal protector. Voltages standard 230V 50Hz . IPX4 protection.

APPLICATIONS

Designed for duct installation are indicated for:

- Air renovation in bathrooms and small rooms.
- Maximum continuous working temperature: 60°C.

UNDER REQUEST

- Timer.
- Special voltages.

Accessories



INT



SIL-C
MINI

Technical data

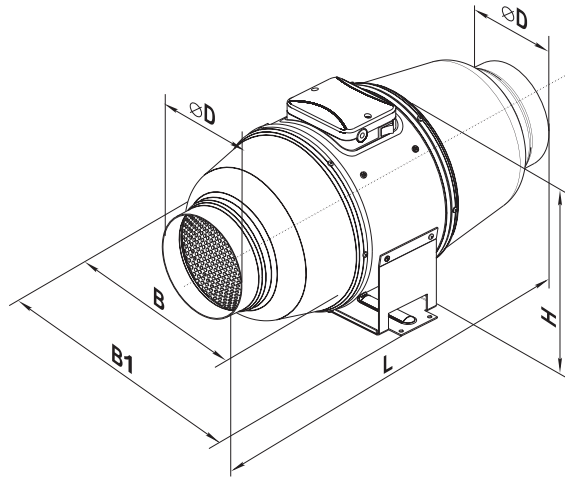
2 SPEED MOTOR

Code	Model	R.P.M.	Rated I. (A) 230V	Rated power kW	Max. Airflow w m3/h	Sound db (A)**	Weight	Connect. diagram
507991000	CHELYS SIGILA 100	2630	0,10/0,11	0,024/0,026	240	16	4,60	1
507991200	CHELYS SIGILA 125	2310	0,11/0,13	0,025/0,030	350	21	4,60	1
507991500	CHELYS SIGILA 150	2645	0,20/0,23	0,045/0,052	560	35	6,10	2
507991600	CHELYS SIGILA 160	2645	0,20/0,23	0,045/0,052	560	35	6,10	2
507992000	CHELYS SIGILA 200	2445	0,35/0,49	0,078/0,110	1.030	36	8	2
507992500	CHELYS SIGILA 250	2495	0,52/0,79	0,127/0,178	1.330	39	15	2
507993150	CHELYS SIGILA 315	2545	0,93/1,41	0,213/0,313	1.960	43	25	2

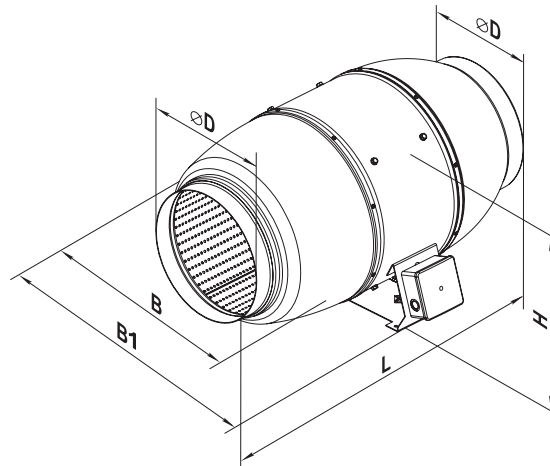
Notes:

** Total sound pressure level at the point of maximum flow measured in dB(A) in the suction measured in free field at a distance of 6m from the source

Dimensions



Model	B	B1	H	L	ØD
CHELYS SIGILA 100	215	243	237	505	98
CHELYS SIGILA 125	215	243	237	474	123
CHELYS SIGILA 150	247	274	260	580	147
CHELYS SIGILA 160	247	274	260	580	157



Model	B	B1	H	L	ØD
CHELYS SIGILA 200	293	386	295	550	198
CHELYS SIGILA 250	358	445	360	658	248
CHELYS SIGILA 315	432	520	434	780	313

Wiring diagram

DIAGRAM Nº 1

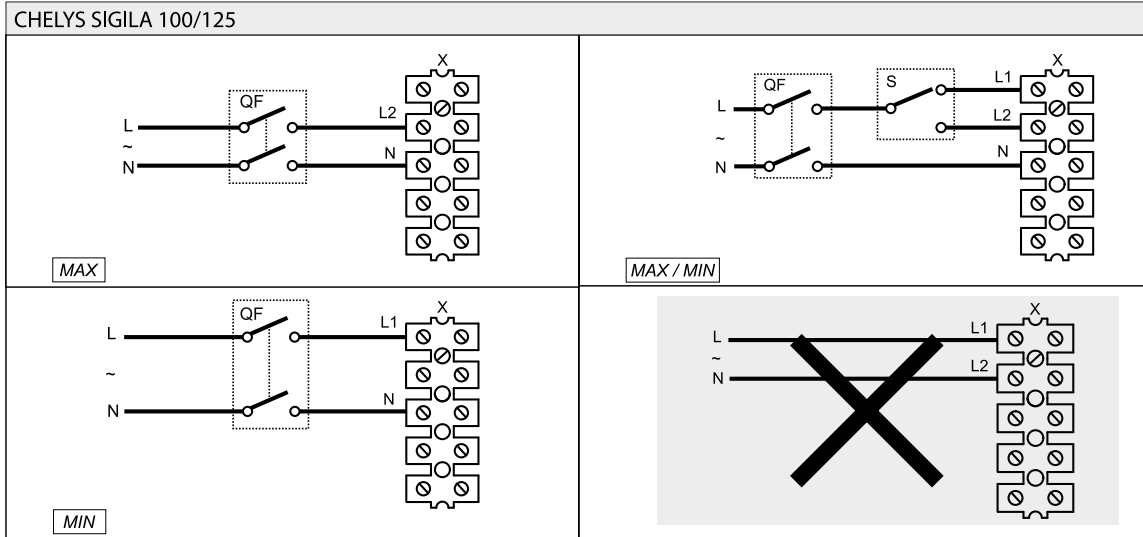
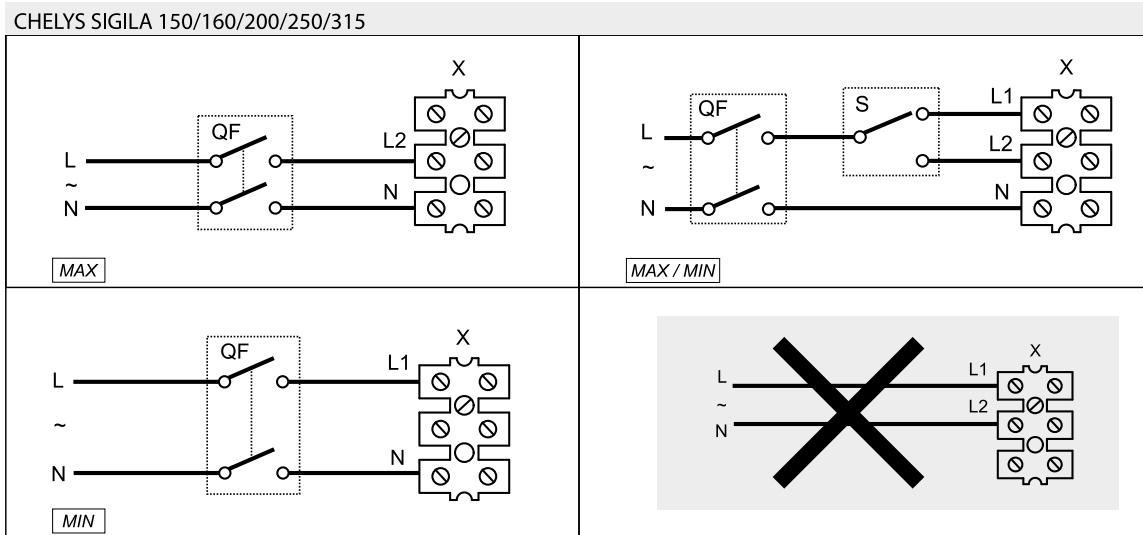


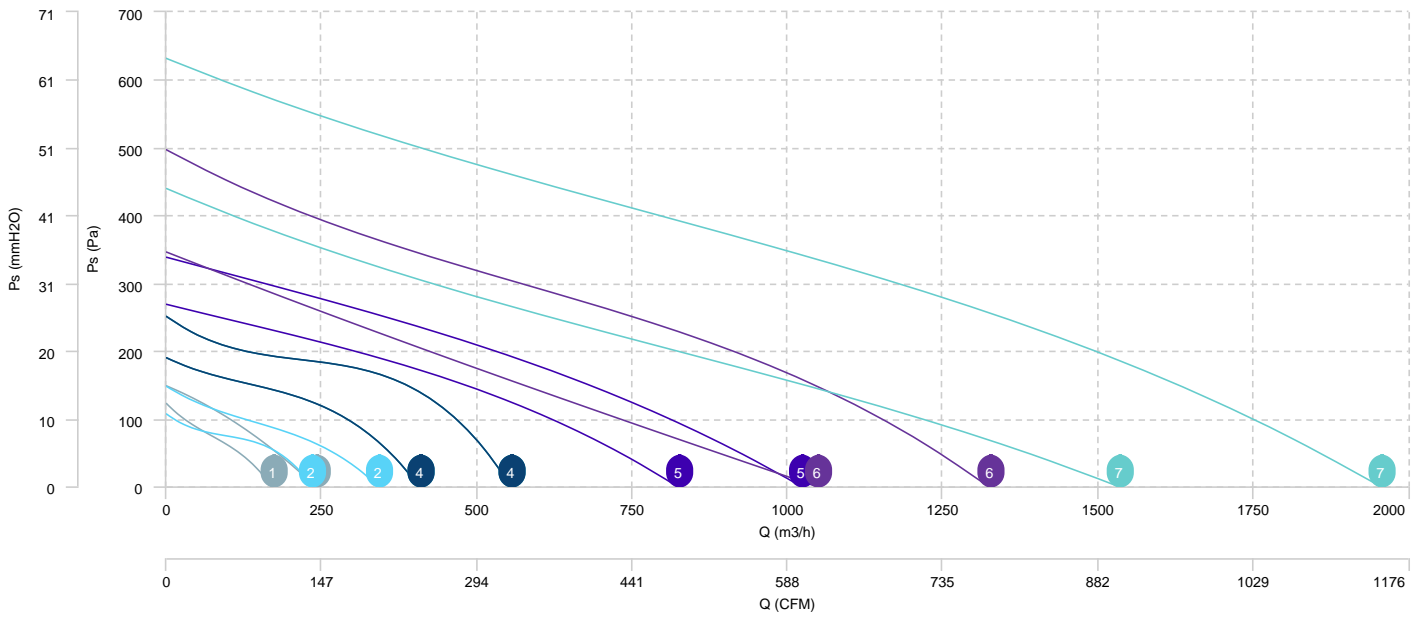
DIAGRAM Nº 2



CHARACTERISCTIC CURVE

1 CHELYS SIGILA 100	2 CHELYS SIGILA 125	3 CHELYS SIGILA 150	4 CHELYS SIGILA 160
5 CHELYS SIGILA 200	6 CHELYS SIGILA 250	7 CHELYS SIGILA 315	

AIR FLOW - PRESSURE



Sound data

Sound power Lw dB (A)										
Model		63 Hz	125 Hz	250 Hz	500 Hz	1000 Hz	2000 Hz	4000 Hz	8000 Hz	Total
CHELYS SIGILA 200 (2015 RPM)	Radiated	40	46	46	44	41	37	35	30	-

Notes:

* To calculate the sound power level at different rpm from those indicated above, use the following formula:

$$Lw\ dB(A)_{rpmA} = Lw\ dB(A)_{rpmB} + 52.5 \cdot \log_{10} \frac{rpmA}{rpmB}$$