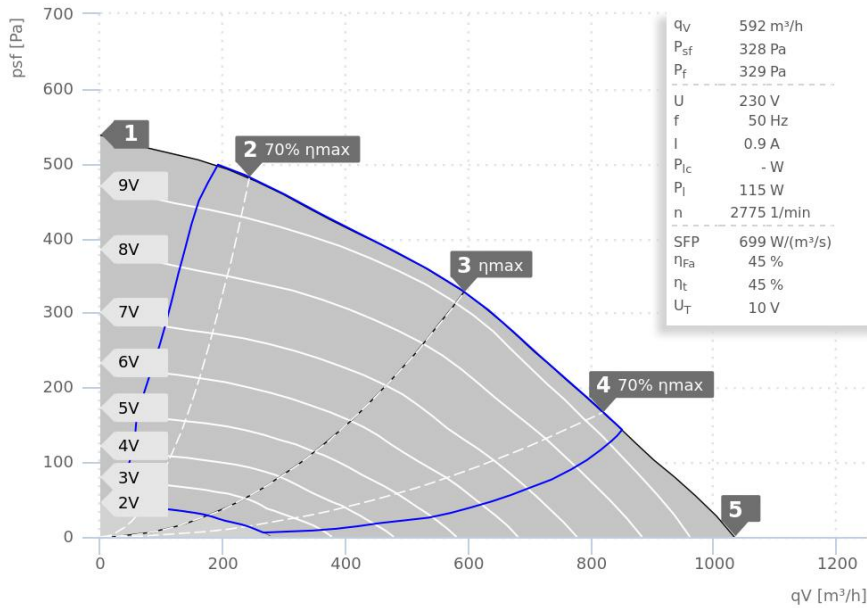


DATA SHEET

ruck.eu
VENTILATOREN

MPC 225 EC 40 | 157953



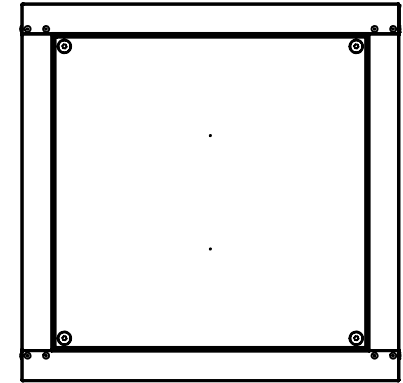
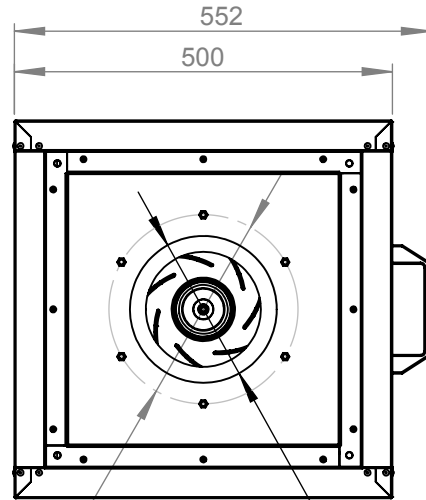
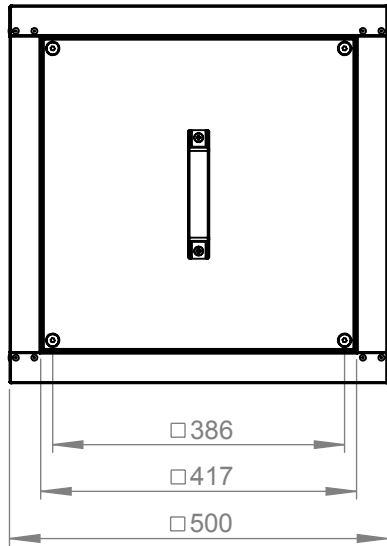
- Galvanized sheet steel double wall casing
- EC motor
- Integrated electronic
- Internal electronic temperature monitoring
- 30 mm insulation
- Variable outlet

— ErP compliant range

Operating Point		1	2	3	4	5
Current I	A	0,5	0,8	0,9	0,9	0,8
Power consumption P_i	W	57	100	115	115	98
Rotation speed n	1/min	2922	2894	2776	2796	2900
SWL inlet L_{WA5}	dB(A)	75	73	67	72	75
SWL outlet L_{WA6}	dB(A)	77	74	69	75	78
SWL housing break out L_{WA2}	dB(A)	58	57	51	49	52

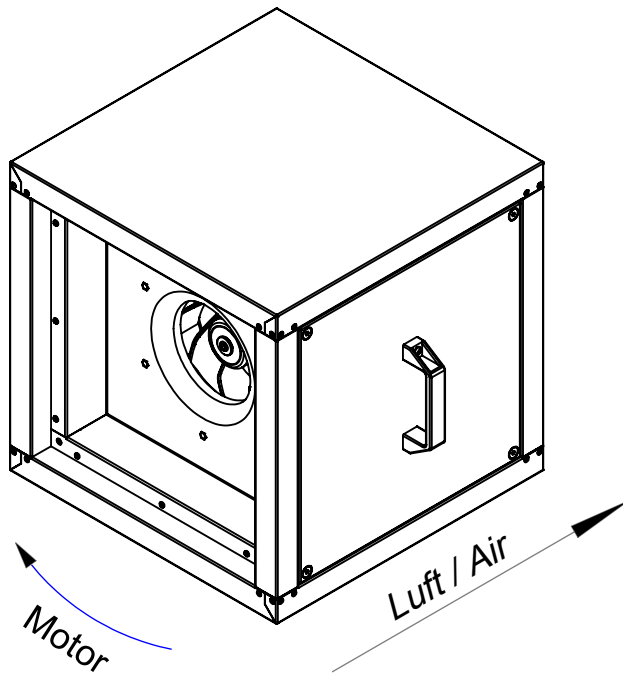
Sound power (L_W) dB(A)		Medium Frequency Band								
		Σ	63	125	250	500	1k	2k	4k	8k
Inlet	L_{WA5}	67	37	49	61	61	62	59	56	47
Outlet	L_{WA6}	69	42	53	60	62	63	64	60	49
Housing radiation	L_{WA2}	51	39	43	41	43	42	45	42	39

MPC 225 EC 40 157953	
Voltage U_N	230 V 1~
Current I_{max}	1,0 A
Ambient temperature t_A	60 °C
Conveyed medium temperature t_M	60 °C
Speed Control	0-10V
Motor protection	TEC
Insulation class motor	F
Weight	27,7 kg
Number of poles	-
IP motor	IP54
IP terminal box	IP44
IP complete unit	IPX4
Min. operating temperature	-30 °C

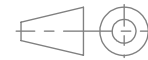


6xM6
LK \varnothing 250

Anschlussmaß innen min. \varnothing 195
Connection size inside min. \varnothing 195



ruck^{eu}
VENTILATOREN
ruck Ventilatoren
Max-Planck-Str. 5
D-97944 Boxberg



Protection Mark
according to ISO16016
Created s.pop
Drawn s.pop
Released s.pop
Disabled

1:10 A4 mm

General tolerances
DIN ISO 2768-c
04.05.2021
04.05.2021
04.05.2021

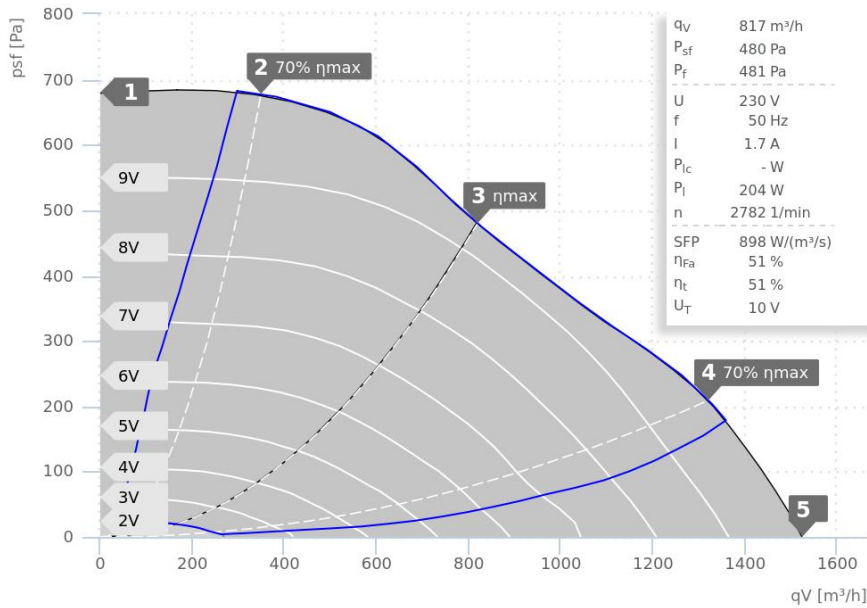
MPC225EC40

157953 00

VENTAS
VENTILATOREN

DATA SHEET

MPC 250 EC 40 | 157954



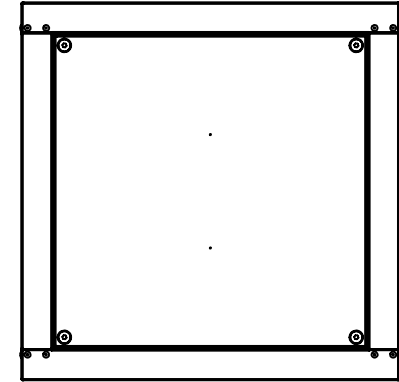
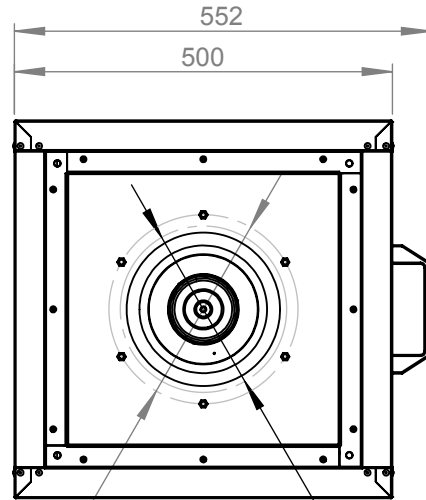
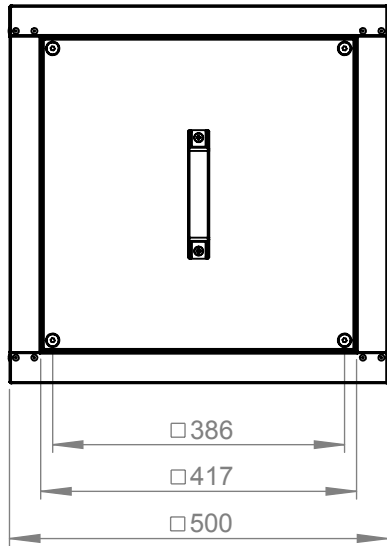
- Galvanized sheet steel double wall casing
- EC motor
- Integrated electronic
- Internal electronic temperature monitoring
- 30 mm insulation
- Variable outlet

— ErP compliant range

Operating Point		1	2	3	4	5
Current I	A	1,0	1,5	1,7	1,7	1,3
Power consumption P _i	W	117	180	204	203	153
Rotation speed n	1/min	2988	2976	2783	2974	2979
SWL inlet L _{WA5}	dB(A)	81	78	77	82	83
SWL outlet L _{WA6}	dB(A)	82	79	79	83	86
SWL housing break out L _{WA2}	dB(A)	63	62	65	60	60

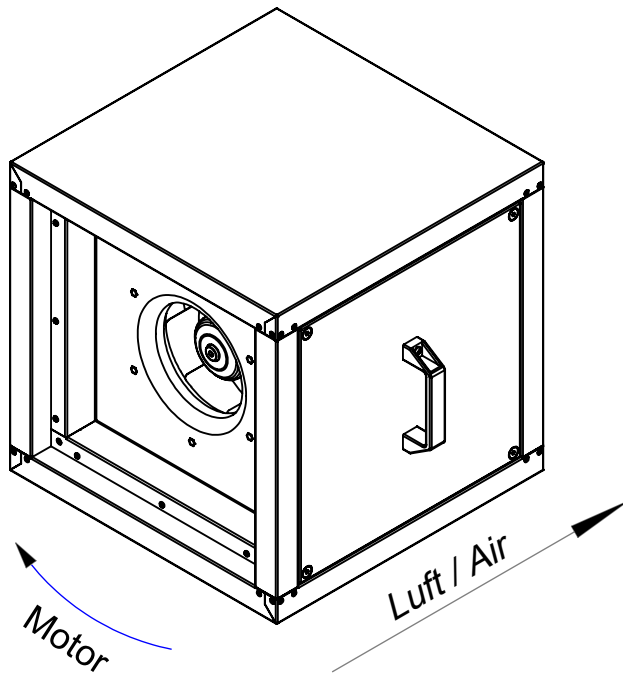
Sound power (L _w) dB(A)		Medium Frequency Band								
		Σ	63	125	250	500	1k	2k	4k	8k
Inlet	L _{WA5}	77	42	53	70	71	72	66	67	63
Outlet	L _{WA6}	78	46	56	67	71	74	73	69	64
Housing radiation	L _{WA2}	65	42	43	48	46	65	49	48	44

MPC 250 EC 40 157954	
Voltage U _N	230 V 1~
Current I _{max}	1,8 A
Ambient temperature t _A	70 °C
Conveyed medium temperature t _M	70 °C
Speed Control	0-10V
Motor protection	TEC
Insulation class motor	F
Weight	28,9 kg
Number of poles	-
IP motor	IP33
IP terminal box	IP44
IP complete unit	IPX4
Min. operating temperature	-30 °C

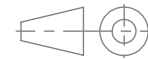


6xM6
LK ϕ 250

Anschlussmaß innen min. ϕ 220
Connection size inside min. ϕ 220



ruck^{eu}
VENTILATOREN
ruck Ventilatoren
Max-Planck-Str. 5
D-97944 Boxberg



Protection Mark
according to ISO16016
Created s.pop
Drawn s.pop
Released s.pop
Disabled

1:10 A4 mm

General tolerances
DIN ISO 2768-c
04.05.2021
04.05.2021
04.05.2021

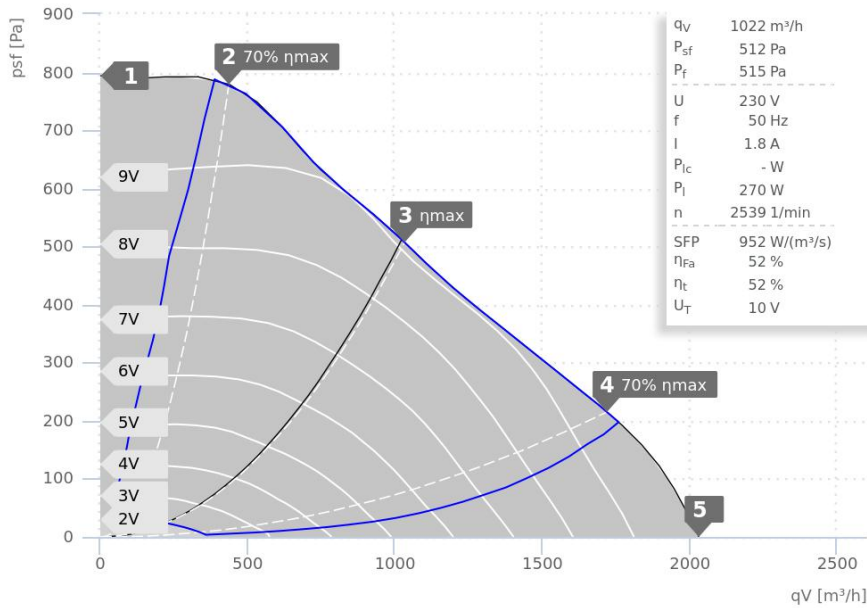
MPC250EC40

157954 00

VENTAS
VENTILATORER

DATA SHEET

MPC 280 EC 40 | 157955



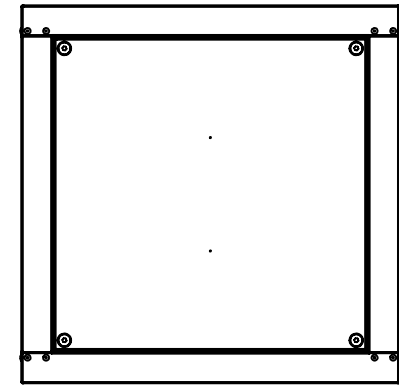
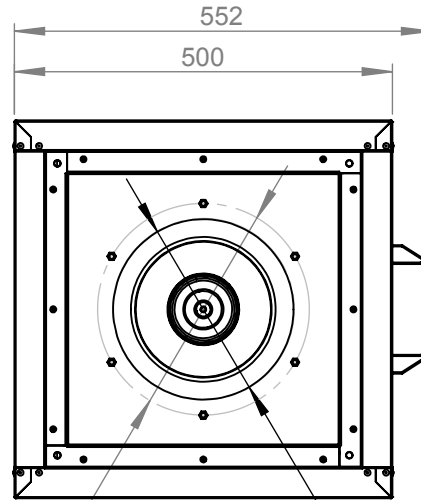
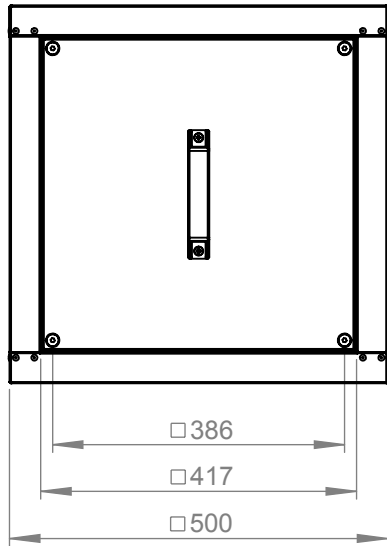
- Galvanized sheet steel double wall casing
- EC motor
- Integrated electronic
- Internal electronic temperature monitoring
- 30 mm insulation
- Variable outlet

— ErP compliant range

Operating Point		1	2	3	4	5
Current I	A	1,0	1,7	1,8	1,8	1,5
Power consumption P_i	W	138	253	270	273	218
Rotation speed n	1/min	2879	2886	2537	2789	2901
SWL inlet L_{WA5}	dB(A)	83	83	76	80	82
SWL outlet L_{WA6}	dB(A)	82	83	78	84	85
SWL housing break out L_{WA2}	dB(A)	65	66	69	63	61

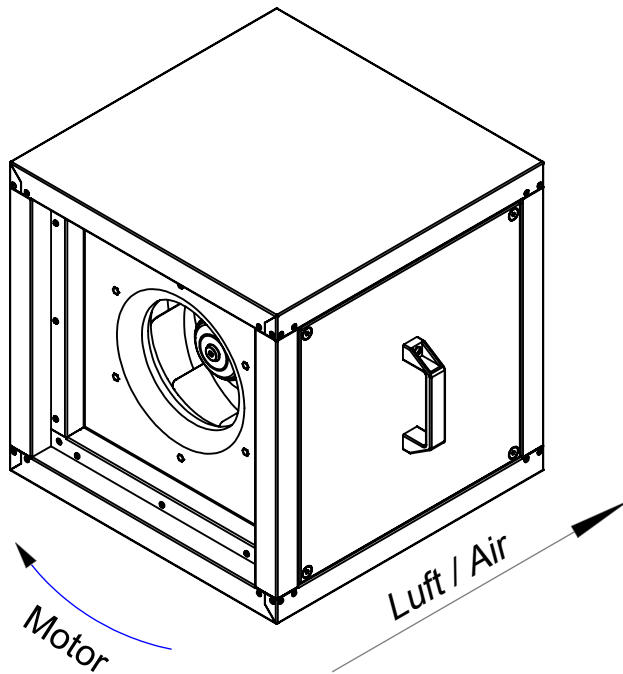
Sound power (L_W) dB(A)		Medium Frequency Band								
		Σ	63	125	250	500	1k	2k	4k	8k
Inlet	L_{WA5}	-	-	-	-	-	-	-	-	-
Outlet	L_{WA6}	78	37	50	67	71	74	72	69	65
Housing radiation	L_{WA2}	69	40	41	48	52	69	51	50	47

MPC 280 EC 40 157955	
Voltage U_N	230 V 1~
Current I_{max}	1,9 A
Ambient temperature t_A	55 °C
Conveyed medium temperature t_M	55 °C
Speed Control	0-10V
Motor protection	TEC
Insulation class motor	F
Weight	29,1 kg
Number of poles	-
IP motor	IP33
IP terminal box	IP44
IP complete unit	IPX4
Min. operating temperature	-30 °C

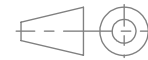


6xM6
LK \varnothing 280

Anschlussmaß innen min. \varnothing 240
Connection size inside min. \varnothing 240



ruck^{eu}
VENTILATOREN
ruck Ventilatoren
Max-Planck-Str. 5
D-97944 Boxberg



Protection Mark
according to ISO16016
Created s.pop
Drawn s.pop
Released s.pop
Disabled

1:10 A4 mm

General tolerances
DIN ISO 2768-c
04.05.2021
04.05.2021
04.05.2021

MPC280EC40

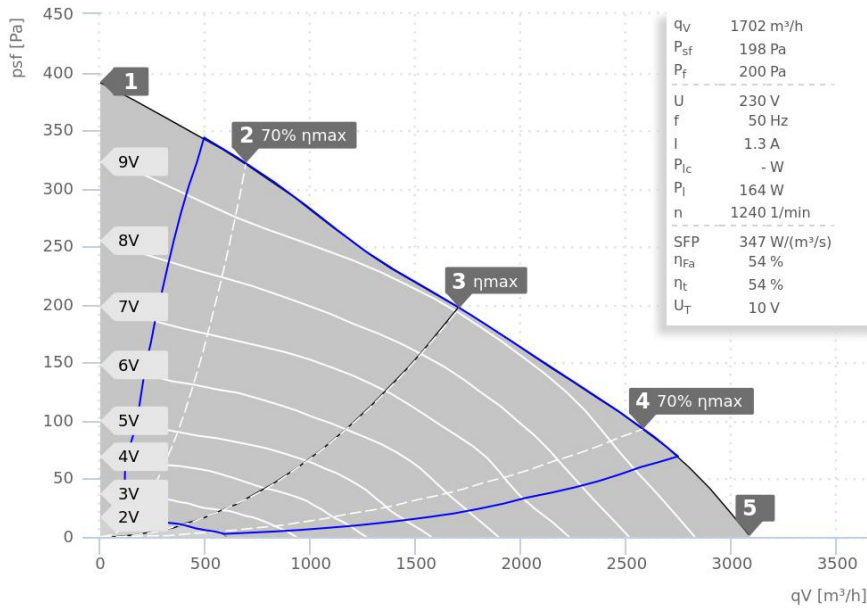
157955 00

VENTAS
VENTILATOREN

DATA SHEET

ruck.eu
VENTILATOREN

MPC 355 EC 40 | 159802



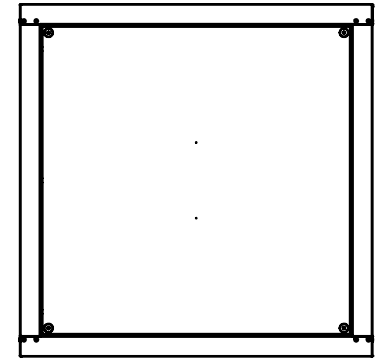
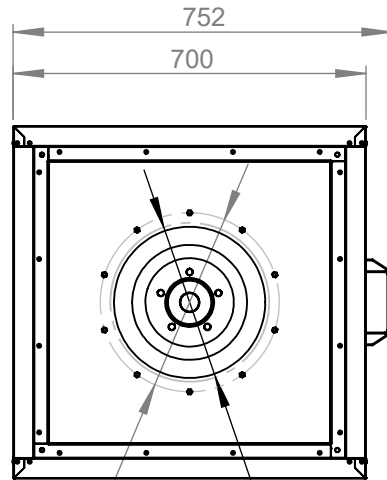
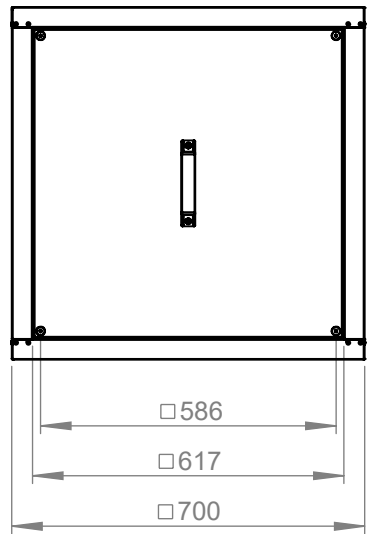
- Galvanized sheet steel double wall casing
- EC motor
- Integrated electronic
- Internal electronic temperature monitoring
- 30 mm insulation
- Variable outlet

— ErP compliant range

Operating Point		1	2	3	4	5
Current I	A	0,8	1,2	1,3	1,3	1,2
Power consumption P_1	W	104	158	164	163	151
Rotation speed n	1/min	1485	1374	1241	1337	1400
SWL inlet L_{WA5}	dB(A)	69	66	63	71	73
SWL outlet L_{WA6}	dB(A)	74	71	67	73	76
SWL housing break out L_{WA2}	dB(A)	56	57	46	50	54

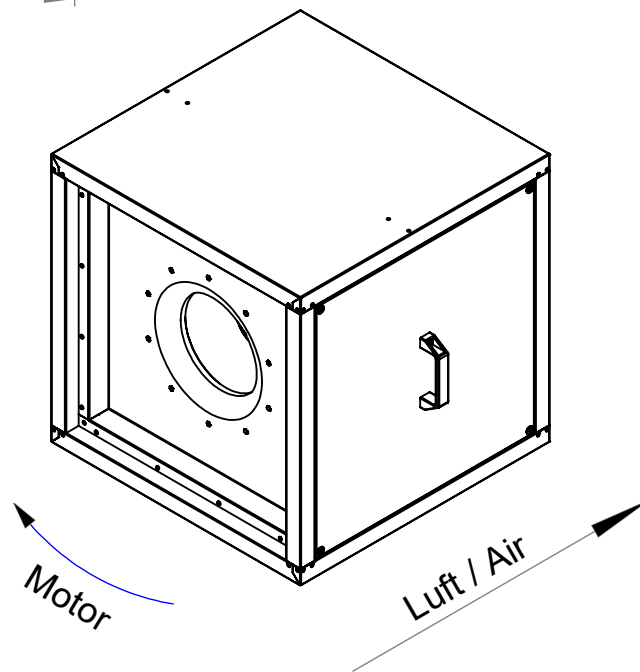
Sound power (L_W) dB(A)		Medium Frequency Band								
		Σ	63	125	250	500	1k	2k	4k	8k
Inlet	L_{WA5}	63	30	51	55	58	56	56	54	42
Outlet	L_{WA6}	67	31	55	56	60	63	60	59	45
Housing radiation	L_{WA2}	47	30	43	39	39	35	34	32	27

MPC 355 EC 40 159802	
Voltage U_N	230 V 1~
Current I_{max}	1,4 A
Ambient temperature t_A	60 °C
Conveyed medium temperature t_M	60 °C
Speed Control	0-10V
Motor protection	TEC
Insulation class motor	B
Weight	49,4 kg
Number of poles	-
IP motor	IP54
IP terminal box	-
IP complete unit	IPX4
Min. operating temperature	-25 °C



10xM6
LK \varnothing 355

Anschlussmaß innen min. \varnothing 315
Connection size inside min. \varnothing 315



1:15 A4 mm

Protection Mark
according to ISO16016

General tolerances
DIN ISO 2768-c

MPC355EC40

ruck^{eu}
VENTILATOREN

Created s.pop
Drawn s.pop
Released s.pop
Disabled

07.10.2021
07.10.2021
07.10.2021

159802 00

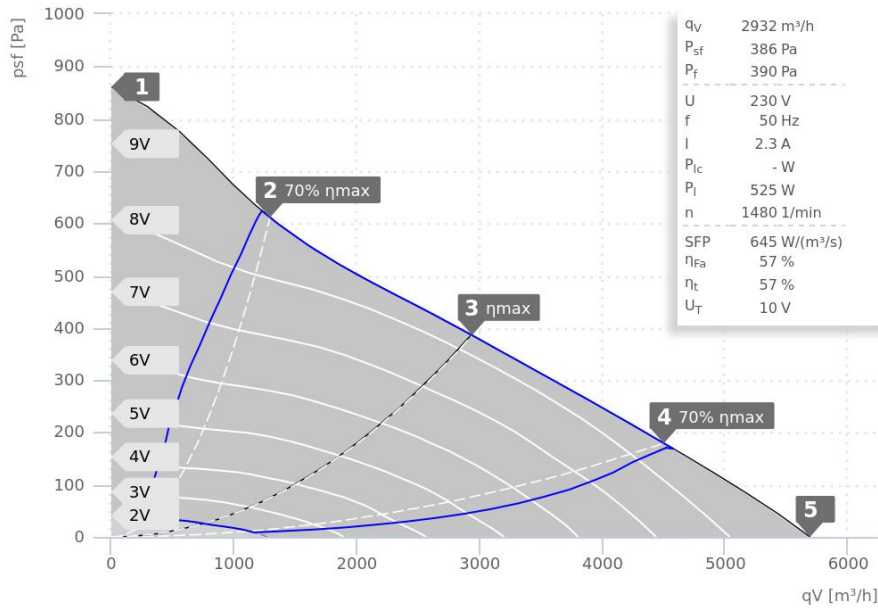
ruck Ventilatoren
Max-Planck-Str. 5
D-97944 Boxberg

VENTAS
VENTILATOREN

DATA SHEET

ruck.eu
VENTILATOREN

MPC 400 EC 40 | 157956



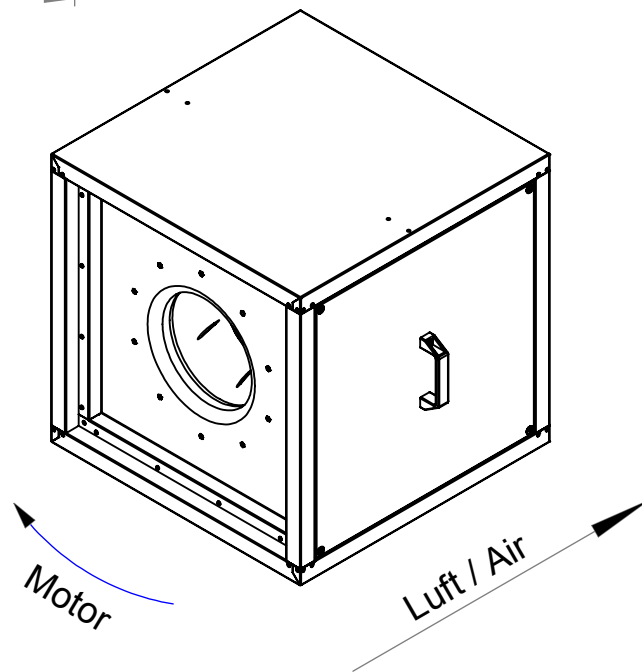
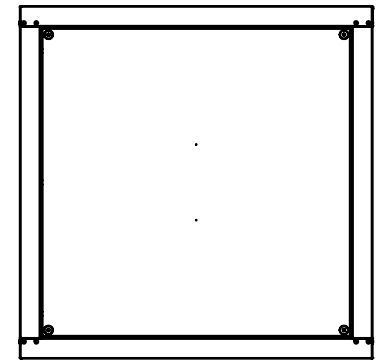
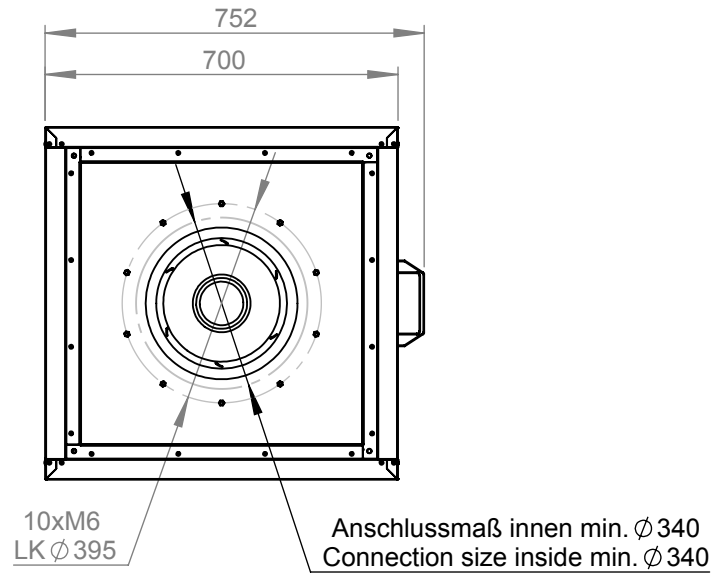
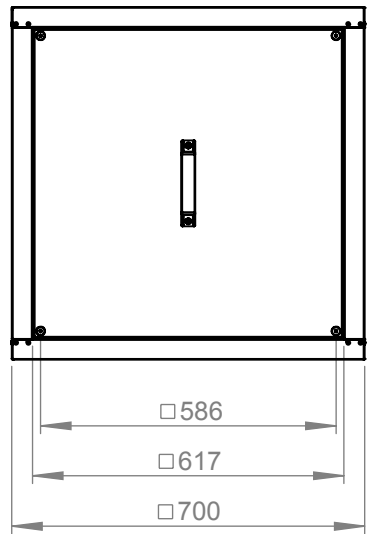
- Galvanized sheet steel double wall casing
- EC motor
- Integrated electronic
- Internal electronic temperature monitoring
- 30 mm insulation
- Variable outlet

— ErP compliant range

Operating Point		1	2	3	4	5
Current I	A	1,8	2,4	2,3	2,3	2,3
Power consumption P_i	W	411	540	525	528	529
Rotation speed n	1/min	1927	1654	1480	1568	1723
SWL inlet L_{WA5}	dB(A)	81	77	73	77	82
SWL outlet L_{WA6}	dB(A)	85	80	76	81	86
SWL housing break out L_{WA2}	dB(A)	66	64	55	55	60

Sound power (L_W) dB(A)		Medium Frequency Band								
		Σ	63	125	250	500	1k	2k	4k	8k
Inlet	L_{WA5}	73	38	63	62	65	66	68	60	51
Outlet	L_{WA6}	76	40	66	68	69	71	68	62	53
Housing radiation	L_{WA2}	55	39	49	48	42	44	46	46	42

MPC 400 EC 40 157956	
Voltage U_N	230 V 1~
Current I_{max}	2,4 A
Ambient temperature t_A	50 °C
Conveyed medium temperature t_M	50 °C
Speed Control	0-10V
Motor protection	TEC
Insulation class motor	F
Weight	62,0 kg
Number of poles	-
IP motor	IP54
IP terminal box	IP44
IP complete unit	IPX4
Min. operating temperature	-25 °C



ruck^{eu}
VENTILATOREN
ruck Ventilatoren
Max-Planck-Str. 5
D-97944 Boxberg



Protection Mark
according to ISO 16016
Created s.pop
Drawn s.pop
Released s.pop
Disabled

1:15 A4 mm

General tolerances
DIN ISO 2768-c

MPC400EC40

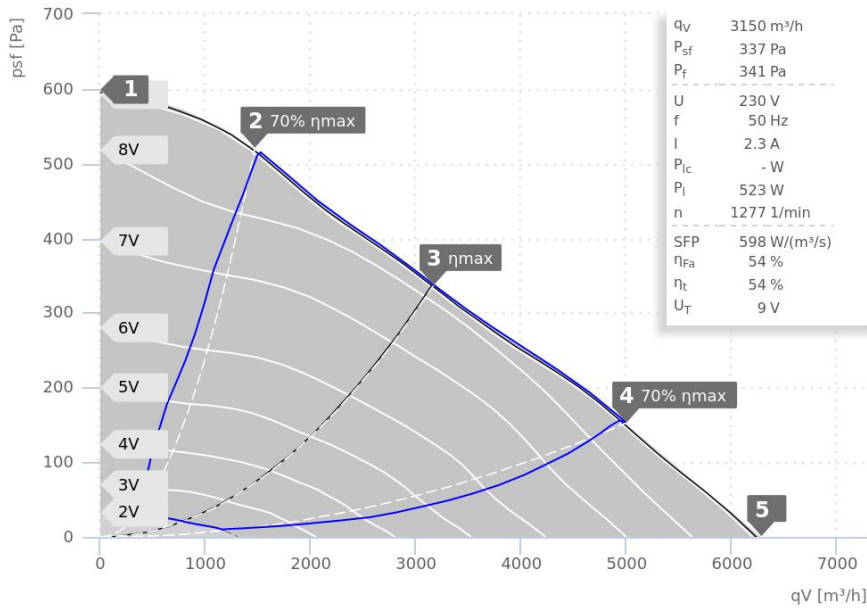
157956 00

VENTAS
VENTILATORER

DATA SHEET

ruck.eu
VENTILATOREN

MPC 450 EC 40 | 157960



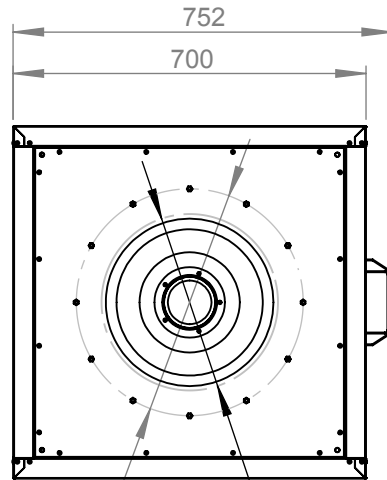
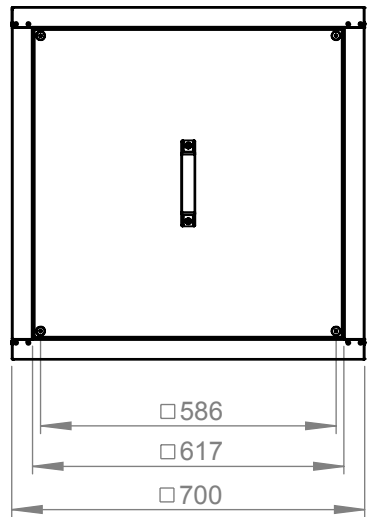
- Galvanized sheet steel double wall casing
- EC motor
- Integrated electronic
- Internal electronic temperature monitoring
- 30 mm insulation
- Variable outlet

— ErP compliant range

Operating Point		1	2	3	4	5
Current I	A	1,5	2,4	2,3	2,3	2,3
Power consumption P ₁	W	337	550	525	524	526
Rotation speed n	1/min	1513	1409	1277	1390	1467
SWL inlet L _{WA5}	dB(A)	79	77	71	78	83
SWL outlet L _{WA6}	dB(A)	82	80	75	82	87
SWL housing break out L _{WA2}	dB(A)	63	62	54	57	61

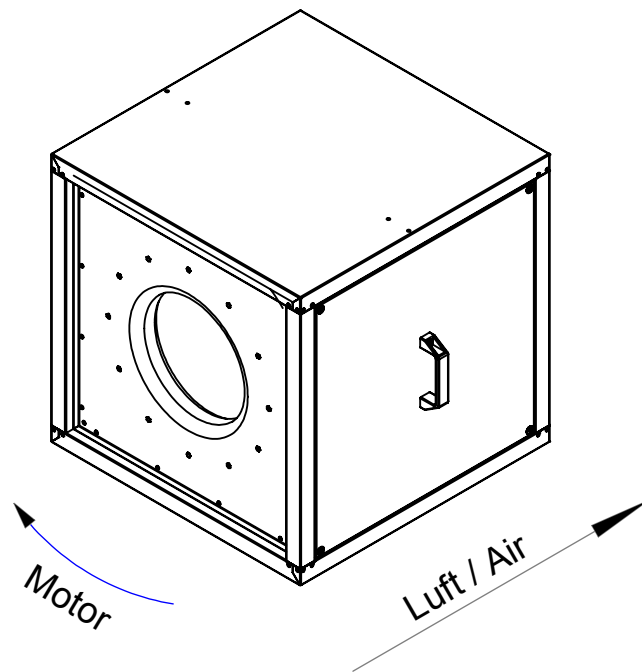
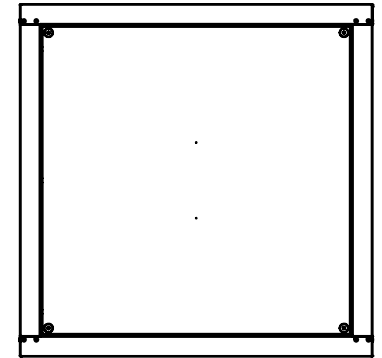
Sound power (L _W) dB(A)		Medium Frequency Band								
		Σ	63	125	250	500	1k	2k	4k	8k
Inlet	L _{WA5}	71	40	57	62	66	63	64	61	51
Outlet	L _{WA6}	75	44	62	66	69	70	67	63	53
Housing radiation	L _{WA2}	54	39	48	50	44	43	44	43	39

MPC 450 EC 40 157960	
Voltage U _N	230 V 1~
Current I _{max}	2,4 A
Ambient temperature t _A	50 °C
Conveyed medium temperature t _M	50 °C
Speed Control	0-10V
Motor protection	TEC
Insulation class motor	F
Weight	65,0 kg
Number of poles	-
IP motor	IP54
IP terminal box	IP44
IP complete unit	IPX4
Min. operating temperature	-25 °C



12xM6
LK $\varnothing 450$

Anschlussmaß innen min. $\varnothing 350$
Connection size inside min. $\varnothing 350$



ruck^{eu}
VENTILATOREN
ruck Ventilatoren
Max-Planck-Str. 5
D-97944 Boxberg



Protection Mark
according to ISO16016

Created s.pop
Drawn s.pop
Released s.pop
Disabled

1:15 A4 mm

General tolerances
DIN ISO 2768-c

05.05.2021
05.05.2021
05.05.2021

MPC450EC40

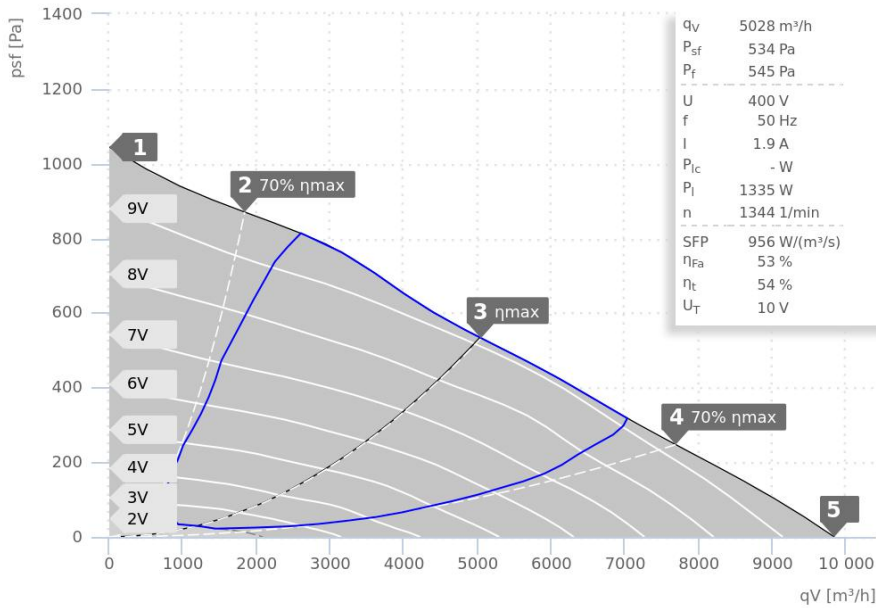
157960 00

VENTAS
VENTILATORER

DATA SHEET

ruck.eu
VENTILATOREN

MPC 500 EC 40 | 157916



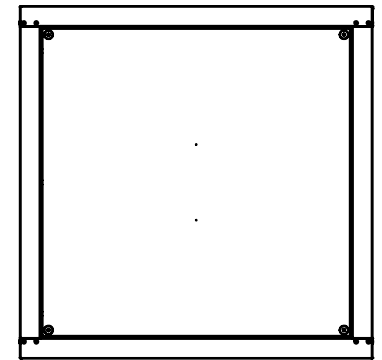
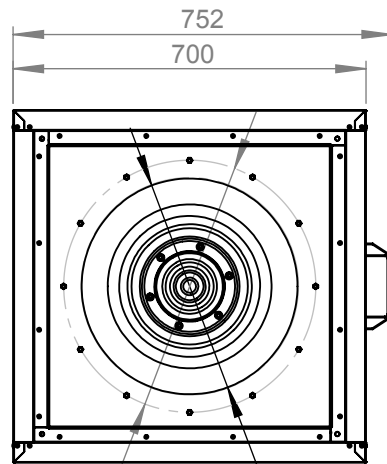
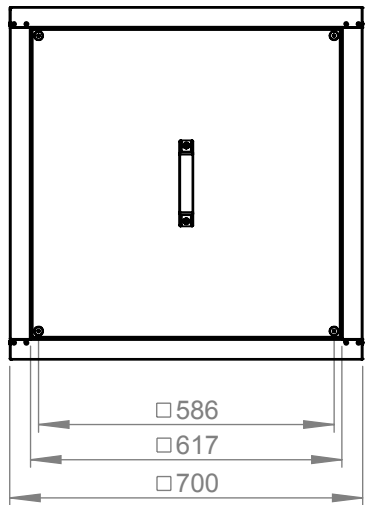
- Galvanized sheet steel double wall casing
- EC motor
- Integrated electronic
- Internal electronic temperature monitoring
- 30 mm insulation
- Variable outlet

— ErP compliant range

Operating Point		1	2	3	4	5
Current I	A	1,1	1,7	1,9	2,0	1,9
Power consumption P _i	W	727	1156	1335	1341	1309
Rotation speed n	1/min	1595	1501	1344	1384	1470
SWL inlet L _{WA5}	dB(A)	82	81	77	77	80
SWL outlet L _{WA6}	dB(A)	87	85	81	83	87
SWL housing break out L _{WA2}	dB(A)	70	68	63	64	67

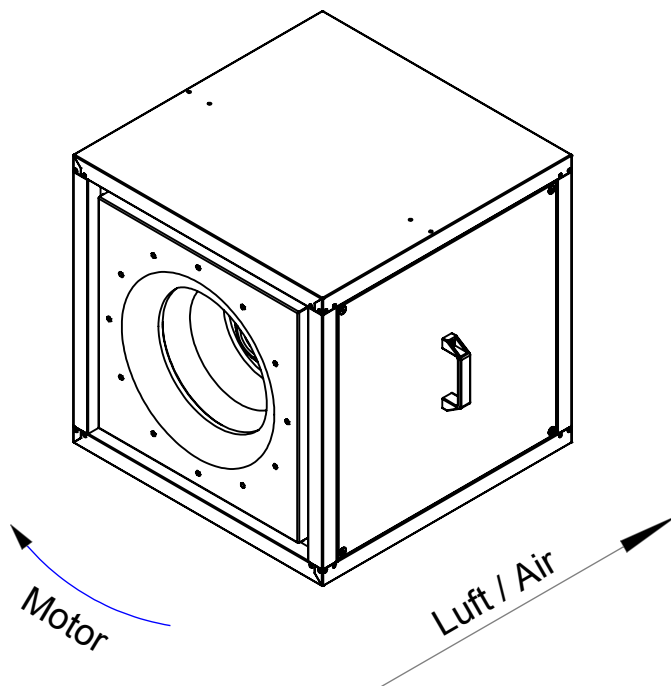
Sound power (L _W) dB(A)		Medium Frequency Band								
		Σ	63	125	250	500	1k	2k	4k	8k
Inlet	L _{WA5}	77	47	65	69	71	70	69	66	61
Outlet	L _{WA6}	81	49	74	71	76	74	70	65	59
Housing radiation	L _{WA2}	63	47	61	52	51	51	52	49	44

MPC 500 EC 40 157916	
Voltage U _N	400 V 3~
Current I _{max}	2,1 A
Ambient temperature t _A	50 °C
Conveyed medium temperature t _M	50 °C
Speed Control	0-10V
Motor protection	TEC
Insulation class motor	F
Weight	56,2 kg
Number of poles	-
IP motor	IP55
IP terminal box	-
IP complete unit	-
Min. operating temperature	-25 °C



12xM6
LK \varnothing 500

Anschlussmaß innen min. \varnothing 430
Connection size inside min. \varnothing 430



ruck^{eu}
VENTILATOREN
ruck Ventilatoren
Max-Planck-Str. 5
D-97944 Boxberg



Protection Mark
according to ISO16016
Created s.pop
Drawn s.pop
Released s.pop
Disabled

1:15 A4 mm

General tolerances
DIN ISO 2768-c

26.04.2021
26.04.2021
26.04.2021

MPC500EC40

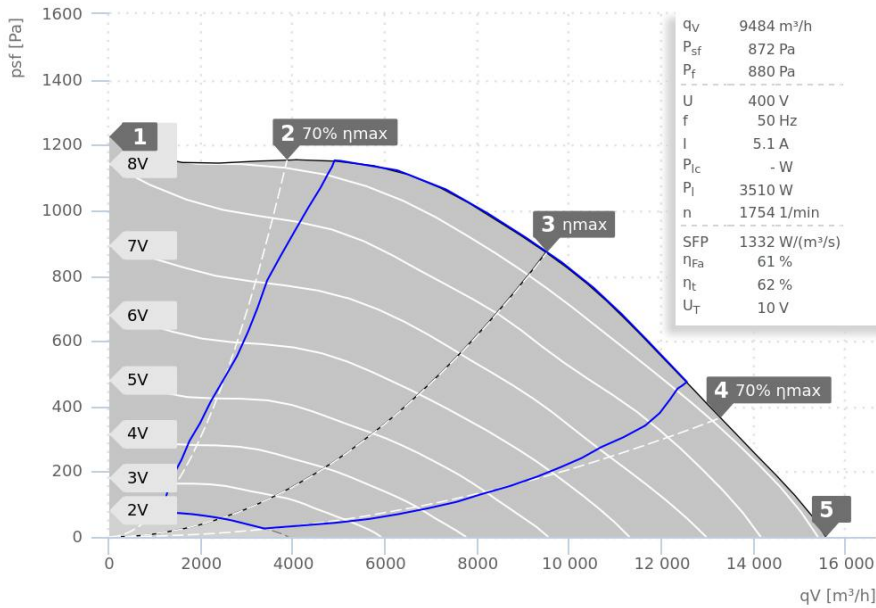
157916 00

VENTAS
VENTILATORER

DATA SHEET

ruck.eu
VENTILATOREN

MPC 560 EC 40 | 157961



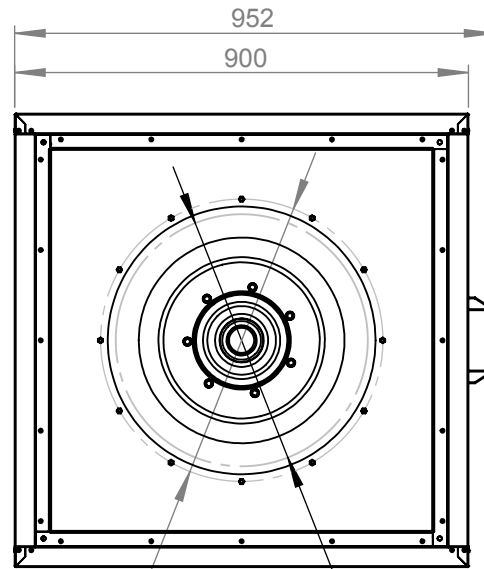
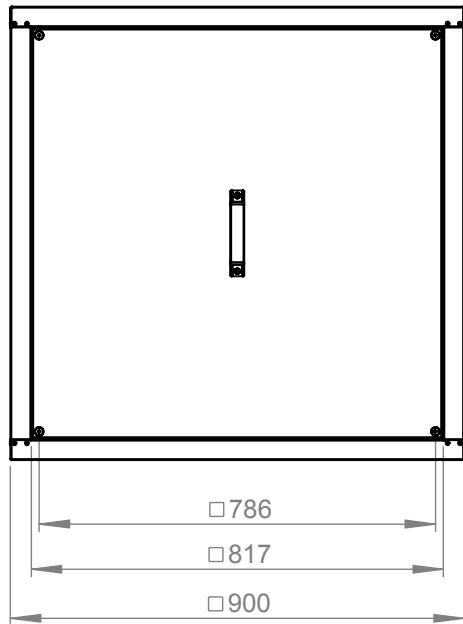
- Galvanized sheet steel double wall casing
- EC motor
- Integrated electronic
- Internal electronic temperature monitoring
- 30 mm insulation
- Variable outlet

— ErP compliant range

Operating Point		1	2	3	4	5
Current I	A	2,2	3,9	5,1	4,3	4,0
Power consumption P _i	W	1543	2742	3525	2929	2772
Rotation speed n	1/min	1785	1774	1757	1749	1790
SWL inlet L _{WA5}	dB(A)	89	89	88	91	92
SWL outlet L _{WA6}	dB(A)	92	91	89	92	93
SWL housing break out L _{WA2}	dB(A)	72	73	70	71	73

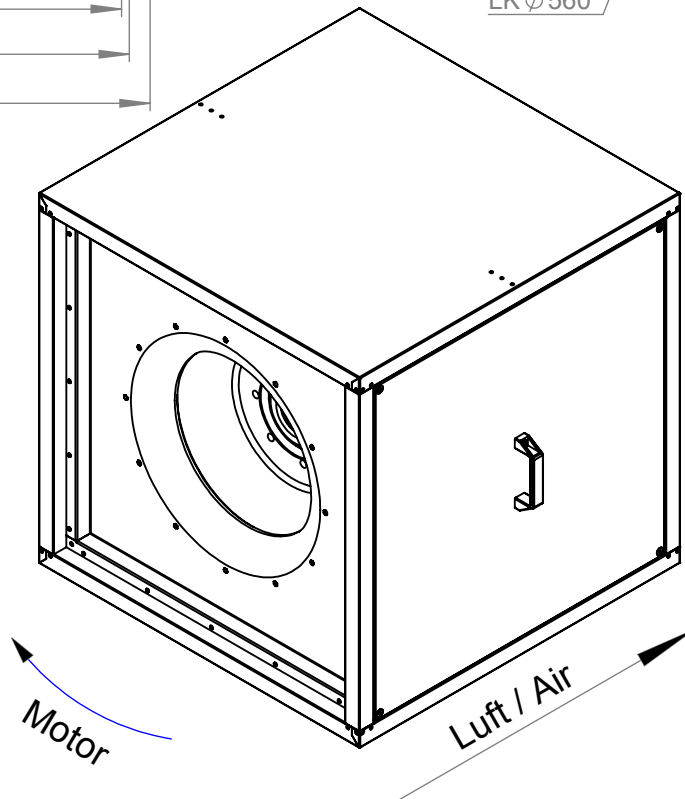
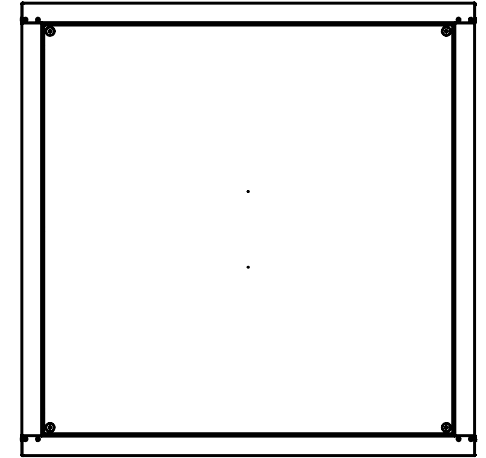
Sound power (L _W) dB(A)		Medium Frequency Band								
		Σ	63	125	250	500	1k	2k	4k	8k
Inlet	L _{WA5}	88	50	79	81	83	80	77	73	72
Outlet	L _{WA6}	89	56	77	80	83	85	81	75	71
Housing radiation	L _{WA2}	70	50	68	64	55	59	57	51	47

MPC 560 EC 40 157961	
Voltage U _N	400 V 3~
Current I _{max}	5,4 A
Ambient temperature t _A	60 °C
Conveyed medium temperature t _M	60 °C
Speed Control	0-10V
Motor protection	TEC
Insulation class motor	F
Weight	101,2 kg
Number of poles	-
IP motor	IP55
IP terminal box	-
IP complete unit	-
Min. operating temperature	-30 °C

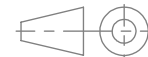


12xM6
LK \varnothing 560

Anschlussmaß innen min. \varnothing 500
Connection size inside min. \varnothing 500



ruck^{eu}
VENTILATOREN
ruck Ventilatoren
Max-Planck-Str. 5
D-97944 Boxberg



Protection Mark
according to ISO16016

Created s.pop
Drawn s.pop
Released s.pop
Disabled

1:15 A4 mm

General tolerances
DIN ISO 2768-c

05.05.2021
05.05.2021
05.05.2021

MPC560EC40

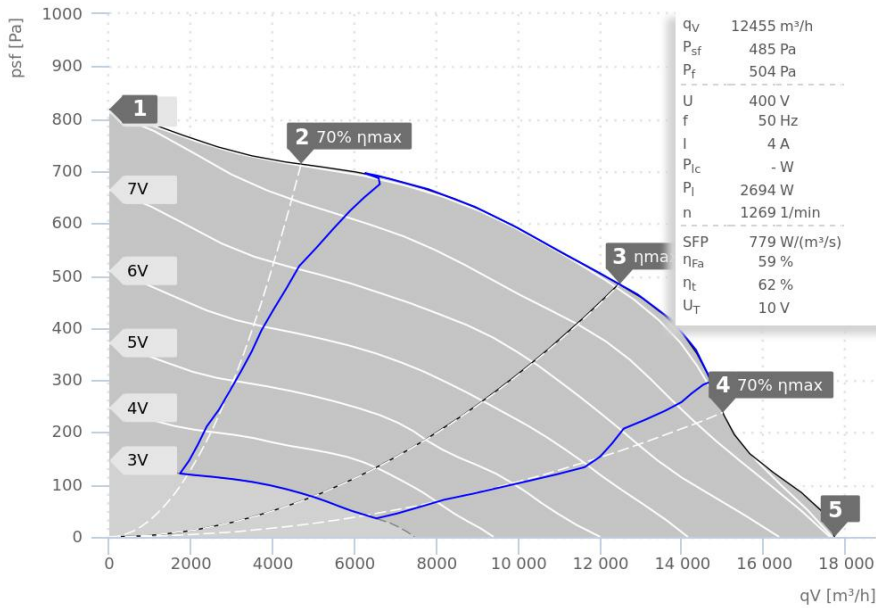
157961 00

VENTAS
VENTILATOREN

DATA SHEET

ruck.eu
VENTILATOREN

MPC 630 EC 40 | 157325



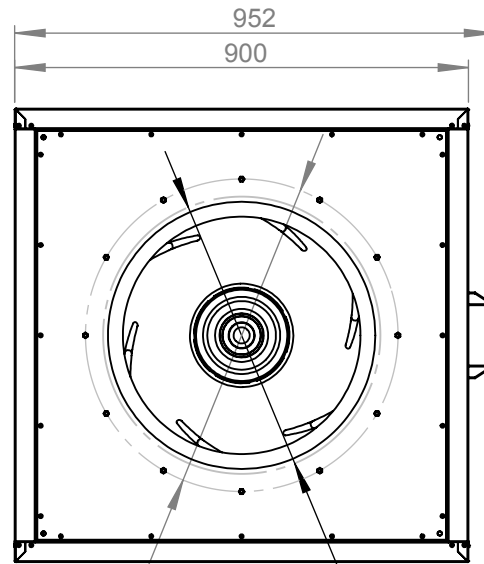
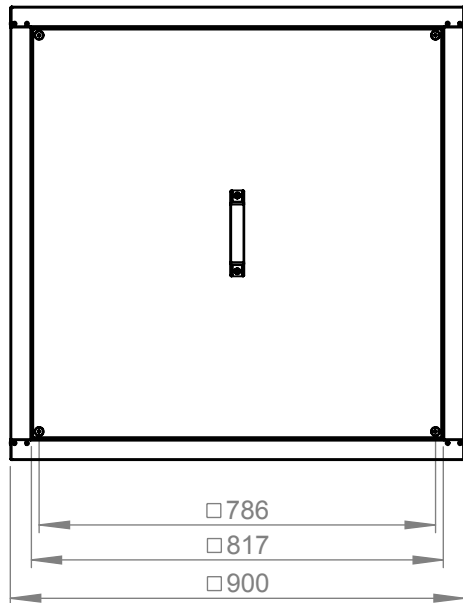
- Galvanized sheet steel double wall casing
- EC motor
- Integrated electronic
- Internal electronic temperature monitoring
- 30 mm insulation
- Variable outlet

— ErP compliant range

Operating Point		1	2	3	4	5
Current I	A	2,1	3,2	4,0	3,4	2,5
Power consumption P _i	W	1403	2162	2690	2273	1659
Rotation speed n	1/min	1271	1296	1269	1263	1275
SWL inlet L _{WA5}	dB(A)	85	85	82	84	85
SWL outlet L _{WA6}	dB(A)	88	88	84	86	88
SWL housing break out L _{WA2}	dB(A)	70	70	66	68	71

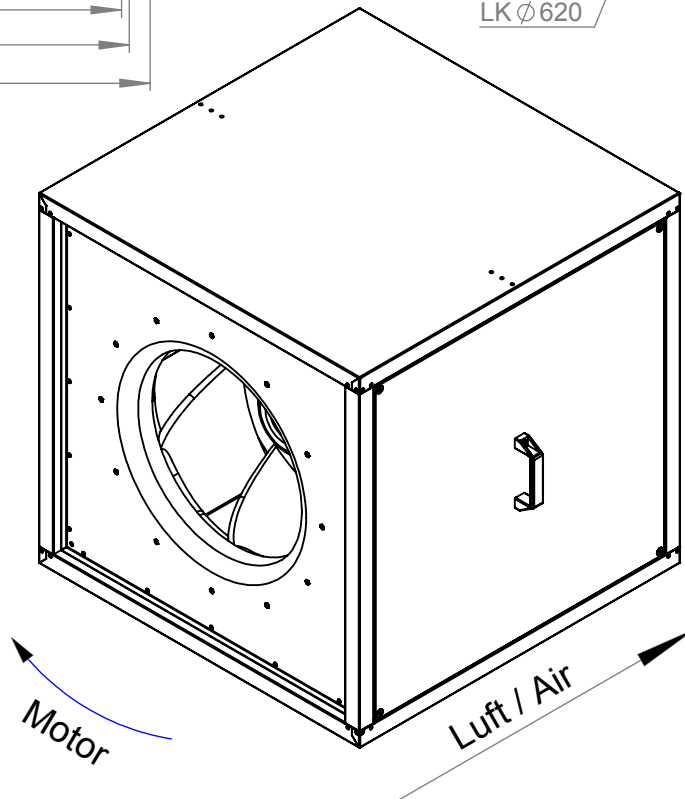
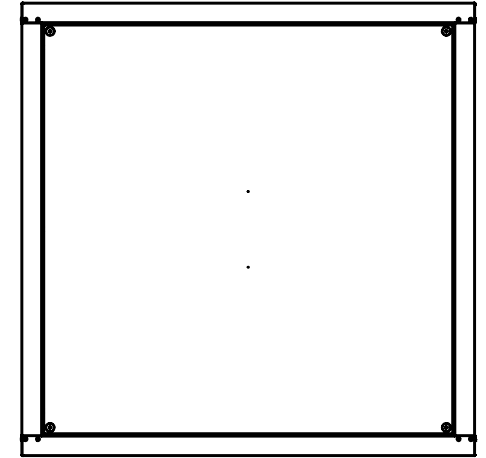
Sound power (L _W) dB(A)		Medium Frequency Band								
		Σ	63	125	250	500	1k	2k	4k	8k
Inlet	L _{WA5}	82	49	73	77	76	74	72	68	63
Outlet	L _{WA6}	84	53	72	75	79	79	75	70	61
Housing radiation	L _{WA2}	66	46	64	57	53	52	54	52	46

MPC 630 EC 40 157325	
Voltage U _N	400 V 3~
Current I _{max}	4,3 A
Ambient temperature t _A	40 °C
Conveyed medium temperature t _M	40 °C
Speed Control	0-10V
Motor protection	TEC
Insulation class motor	F
Weight	98,0 kg
Number of poles	-
IP motor	IP55
IP terminal box	-
IP complete unit	-
Min. operating temperature	-25 °C

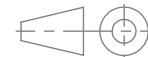


12xM6
LK Ø 620

Anschlussmaß innen min. Ø 550
Connection size inside min. Ø 550



ruck^{eu}
VENTILATOREN
ruck Ventilatoren
Max-Planck-Str. 5
D-97944 Boxberg



Protection Mark
according to ISO16016

Created s.pop
Drawn s.pop
Released s.pop
Disabled

1:15 A4 mm

General tolerances
DIN ISO 2768-c

15.03.2021
15.03.2021
18.03.2021

MPC630EC40

157325 00

