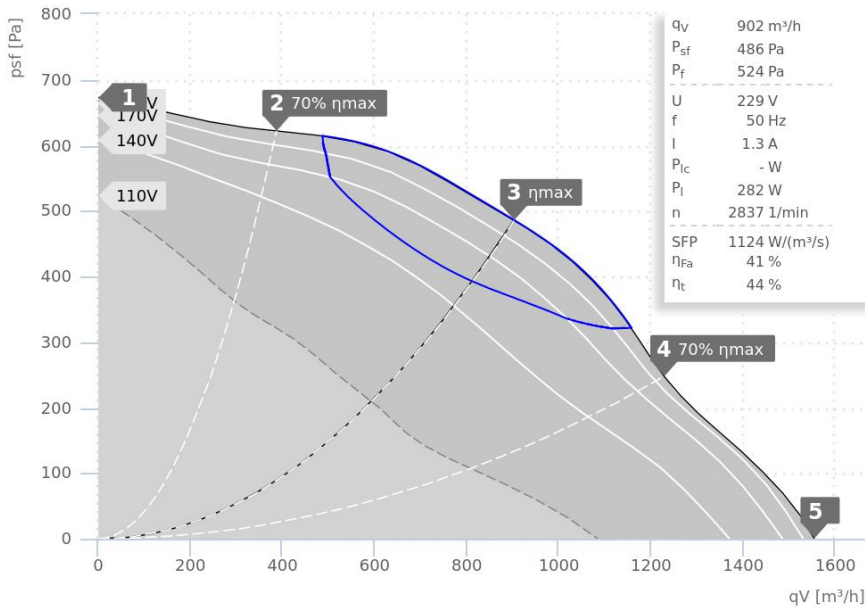


DATA SHEET

ruck.eu
VENTILATOREN

MPX 225 E2 21 | 137883



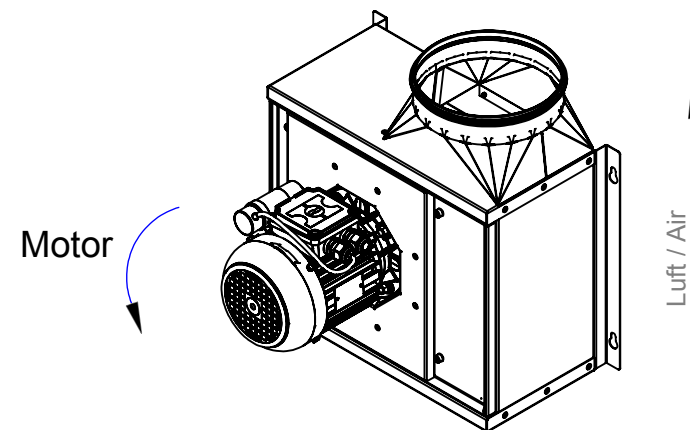
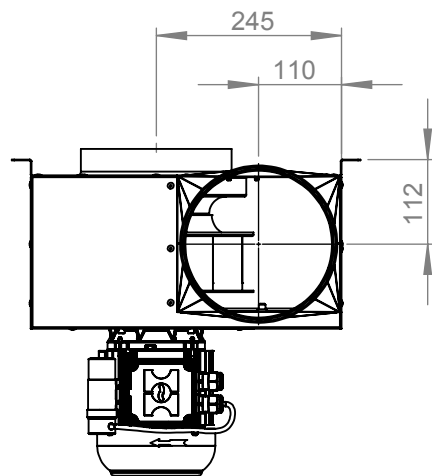
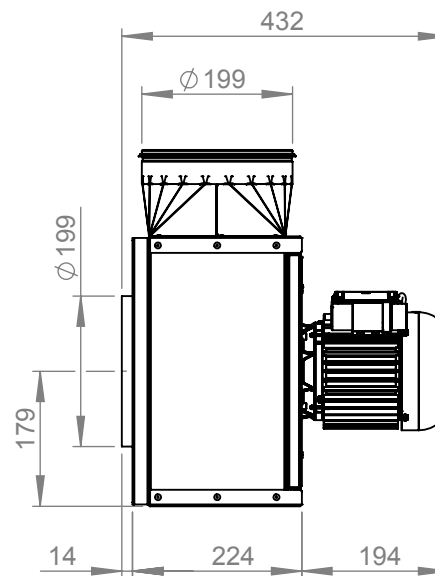
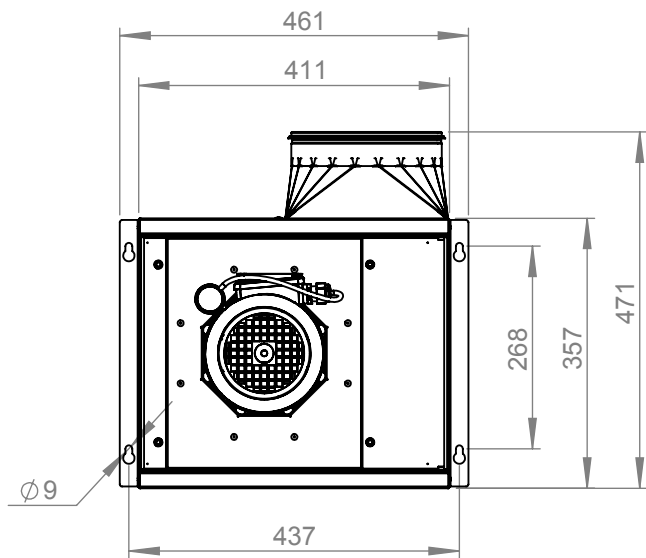
- Motor outside of air stream
- Speed controllable
- Swing-out fan unit
- The housing is designed to function as a grease pan
- Galvanized sheet steel housing
- With integrated wall mounting brackets

— ErP compliant range

Operating Point		1	2	3	4	5
Current I	A	0,8	1,0	1,3	1,2	1,1
Power consumption P _i	W	173	225	282	278	253
Rotation speed n	1/min	2918	2879	2839	2845	2865
SWL inlet L _{WA5}	dB(A)	75	74	73	74	76
SWL outlet L _{WA6}	dB(A)	76	75	73	75	77
SWL housing break out L _{WA2}	dB(A)	67	66	66	68	70

Sound power (L _W) dB(A)		Medium Frequency Band								
		Σ	63	125	250	500	1k	2k	4k	8k
Inlet	L _{WA5}	73	41	54	62	67	67	66	61	56
Outlet	L _{WA6}	73	42	53	61	66	67	69	65	58
Housing radiation	L _{WA2}	66	46	54	56	58	61	59	56	51

MPX 225 E2 21 137883	
Voltage U _N	230 V 1~
Current I _{max}	2,1 A
Ambient temperature t _A	80 °C
Conveyed medium temperature t _M	80 °C
Speed Control	V
Motor protection	TAO
Insulation class motor	F
Weight	17,1 kg
Number of poles	2
IP motor	IP54
IP terminal box	-
IP complete unit	-
Min. operating temperature	-25 °C



ruck Ventilatoren
Max-Planck-Str. 5
D-97944 Boxberg



Protection Mark
according to ISO16016

Created s.pop
Drawn d.costea
Released v.brand
Disabled

1:10 A4 mm

General tolerances
DIN ISO 2768-c

MPX225E221+

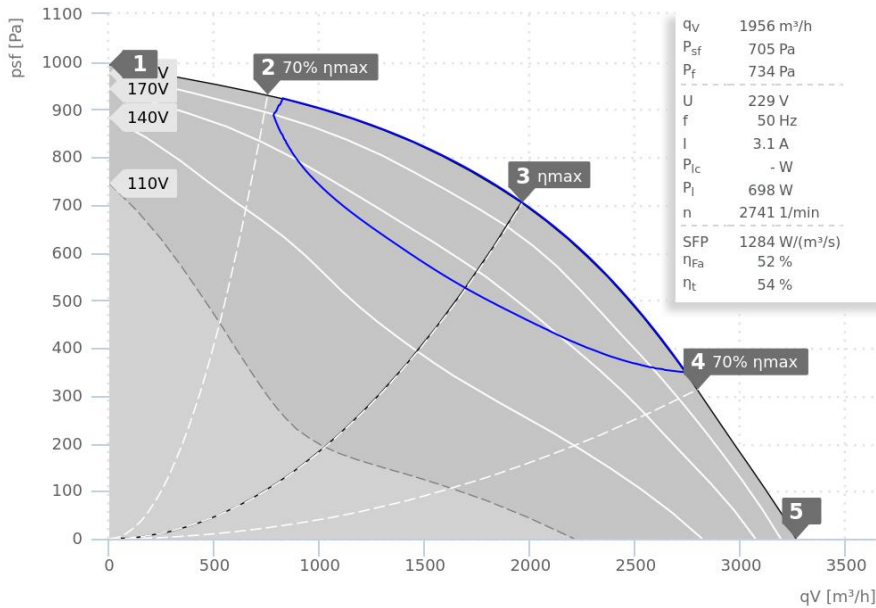
137883 05



DATA SHEET

ruck.eu
VENTILATOREN

MPX 280 E2 | 127822



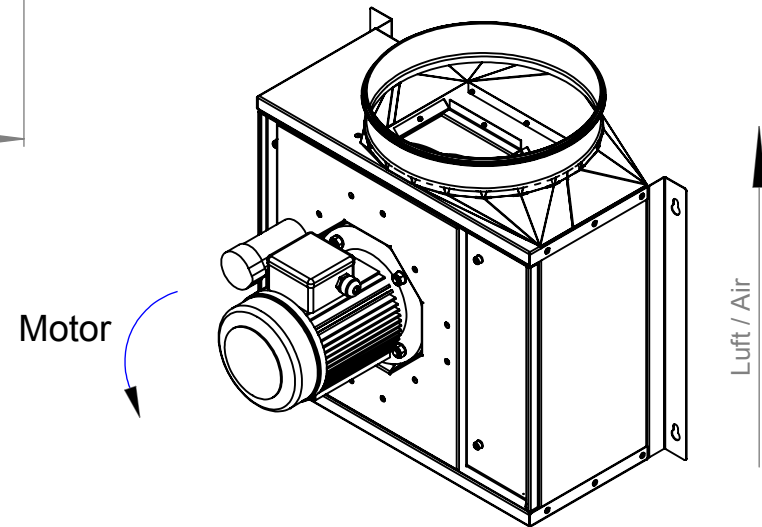
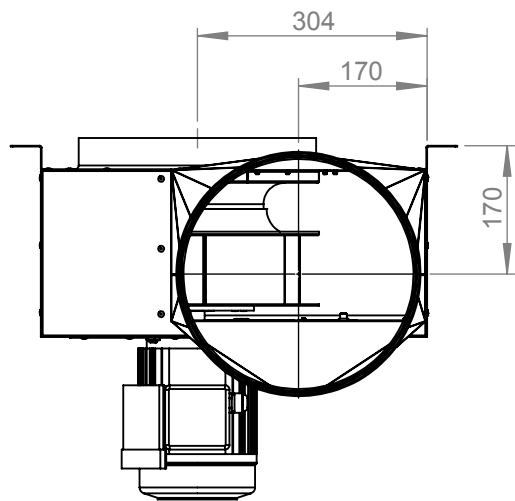
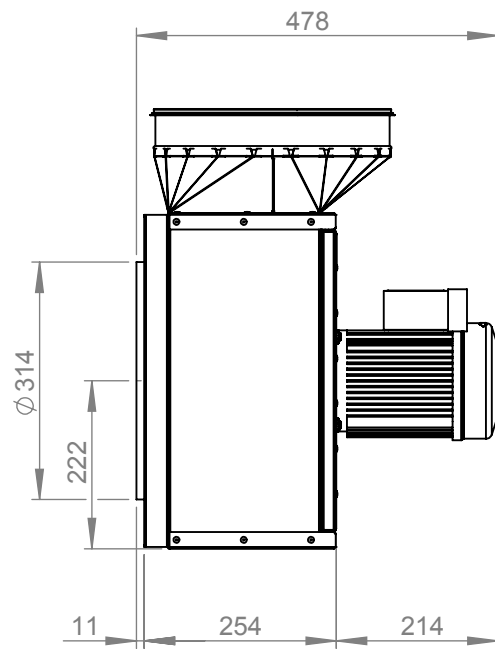
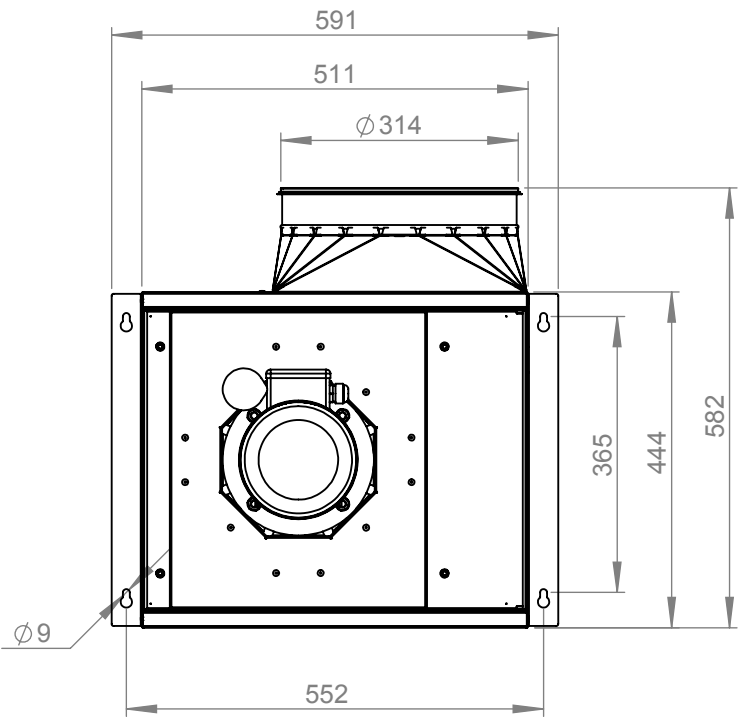
- Motor outside of air stream
- Speed controllable
- Swing-out fan unit
- The housing is designed to function as a grease pan
- Galvanized sheet steel housing
- With integrated wall mounting brackets

— ErP compliant range

Operating Point		1	2	3	4	5
Current I	A	1,7	2,3	3,1	2,8	2,4
Power consumption P _i	W	336	510	699	627	535
Rotation speed n	1/min	2899	2828	2743	2785	2829
SWL inlet L _{WA5}	dB(A)	83	82	81	84	86
SWL outlet L _{WA6}	dB(A)	85	83	84	85	88
SWL housing break out L _{WA2}	dB(A)	76	75	72	74	76

Sound power (L _W) dB(A)		Medium Frequency Band								
		Σ	63	125	250	500	1k	2k	4k	8k
Inlet	L _{WA5}	81	50	62	73	75	73	72	74	72
Outlet	L _{WA6}	84	54	66	78	76	77	76	73	70
Housing radiation	L _{WA2}	72	55	53	67	59	69	64	61	56

MPX 280 E2 127822	
Voltage U _N	230 V 1~
Current I _{max}	4,1 A
Ambient temperature t _A	80 °C
Conveyed medium temperature t _M	80 °C
Speed Control	V
Motor protection	TAO
Insulation class motor	F
Weight	26,3 kg
Number of poles	2
IP motor	IP54
IP terminal box	-
IP complete unit	-
Min. operating temperature	-25 °C



ruck^{eu}
VENTILATOREN
ruck Ventilatoren
Max-Planck-Str. 5
D-97944 Boxberg



1:10 A4 mm

Protection Mark
according to ISO16016

General tolerances
DIN ISO 2768-c

MPX280E2+

Created s.pop

10.10.2017

Drawn d.costea

11.04.2018

Released v.brand

21.03.2020

Disabled

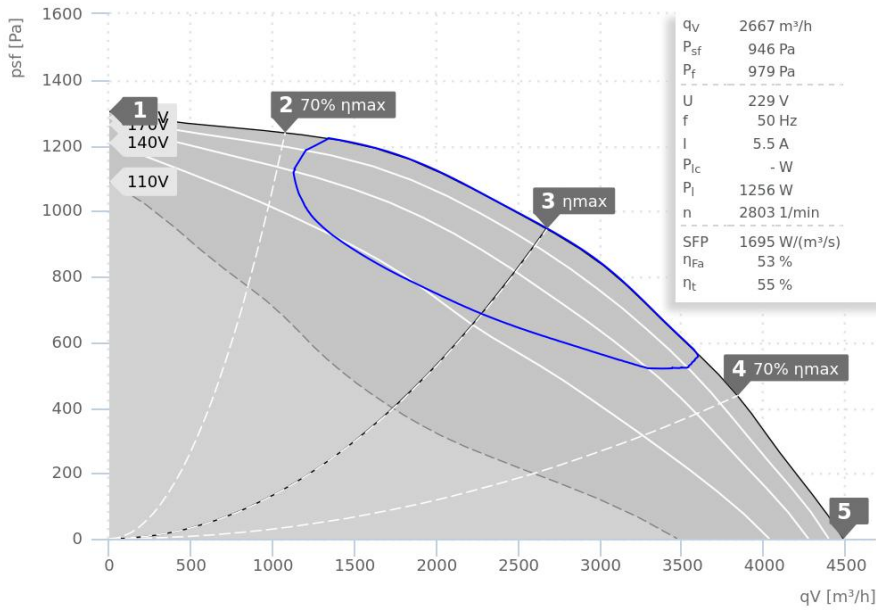
127822 05

VENTAS
VENTILATORER

DATA SHEET

ruck.eu
VENTILATOREN

MPX 315 E2 21 | 137413



— ErP compliant range

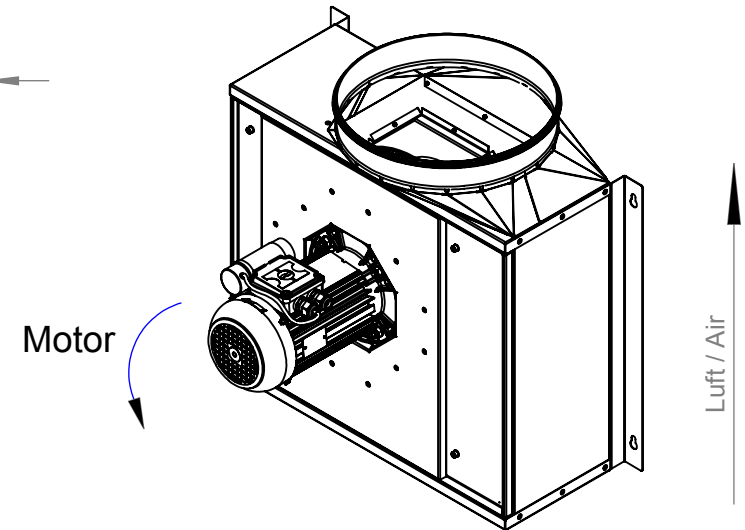
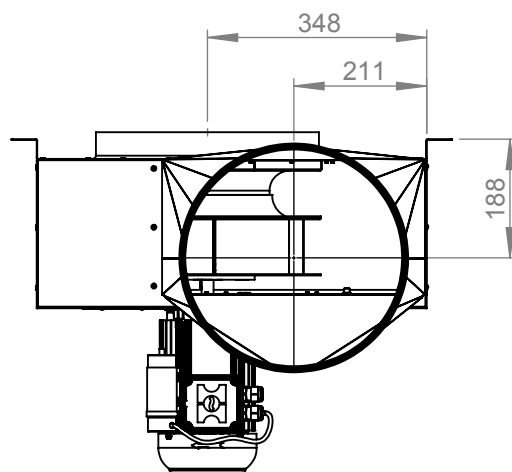
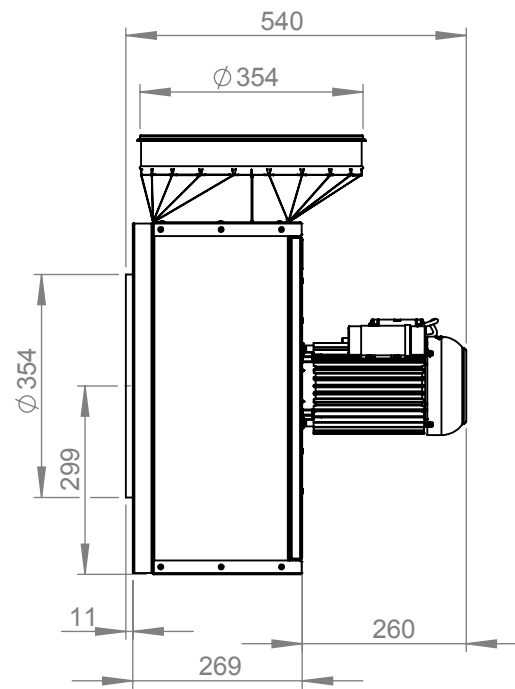
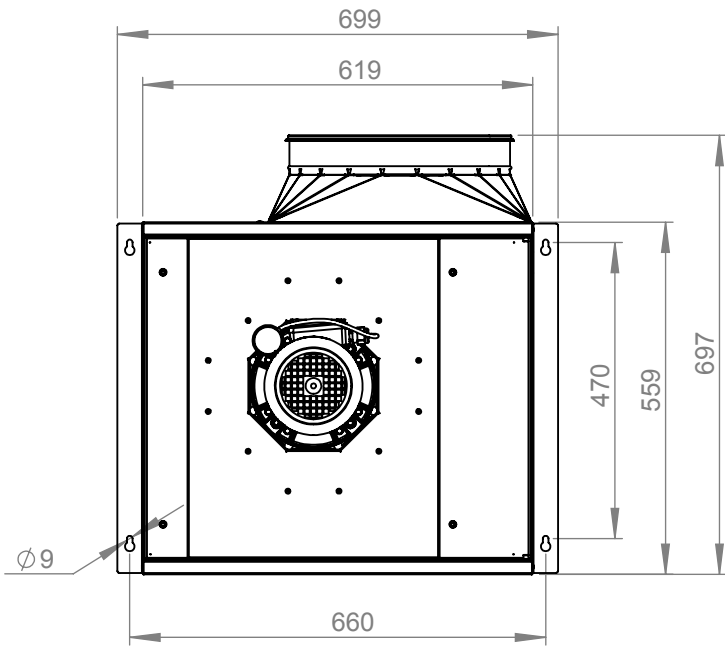


- Motor outside of air stream
- Speed controllable
- Swing-out fan unit
- The housing is designed to function as a grease pan
- Galvanized sheet steel housing
- With integrated wall mounting brackets

Operating Point		1	2	3	4	5
Current I	A	3,0	4,2	5,5	5,2	4,3
Power consumption P _i	W	638	963	1259	1187	990
Rotation speed n	1/min	2915	2863	2805	2828	2868
SWL inlet L _{WA5}	dB(A)	85	83	83	86	88
SWL outlet L _{WA6}	dB(A)	89	86	86	90	92
SWL housing break out L _{WA2}	dB(A)	78	77	75	77	79

Sound power (L _W) dB(A)		Medium Frequency Band								
		Σ	63	125	250	500	1k	2k	4k	8k
Inlet	L _{WA5}	82	48	59	77	77	76	74	71	64
Outlet	L _{WA6}	86	61	60	82	77	78	77	74	67
Housing radiation	L _{WA2}	75	58	62	69	65	69	68	64	57

MPX 315 E2 21 137413	
Voltage U _N	230 V 1~
Current I _{max}	7,5 A
Ambient temperature t _A	55 °C
Conveyed medium temperature t _M	55 °C
Speed Control	V
Motor protection	TAO
Insulation class motor	F
Weight	35,5 kg
Number of poles	2
IP motor	IP54
IP terminal box	-
IP complete unit	-
Min. operating temperature	-25 °C



ruck^{eu}
VENTILATOREN
ruck Ventilatoren
Max-Planck-Str. 5
D-97944 Boxberg



1:12 A4 mm

Protection Mark
according to ISO16016

General tolerances
DIN ISO 2768-c

Created s.pop
Drawn d.costea
Released v.brand
Disabled

10.10.2017
11.04.2018
21.03.2020

MPX315E221+

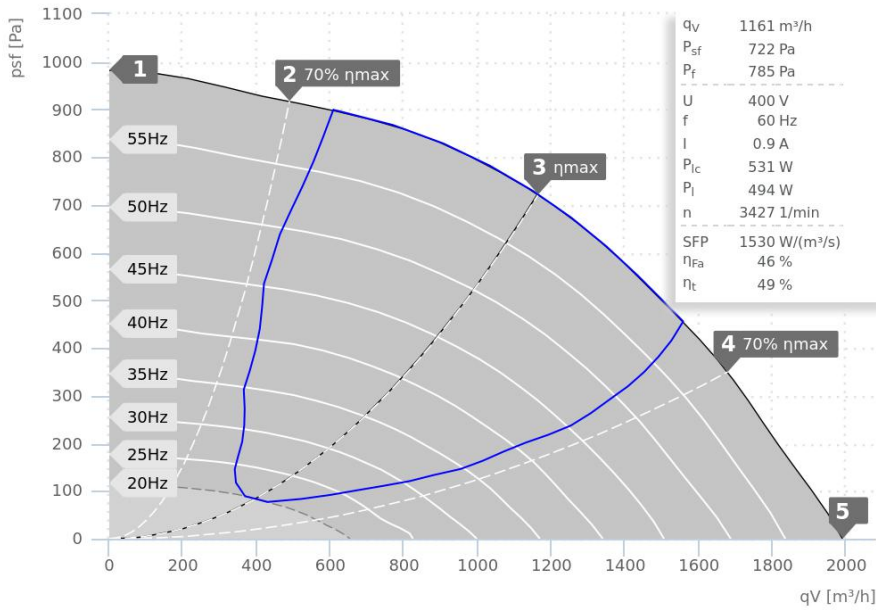
137413 05

VENTAS
VENTILATORER

DATA SHEET

ruck.eu
VENTILATOREN

MPX 225 D2 40 | 158779



— ErP compliant range

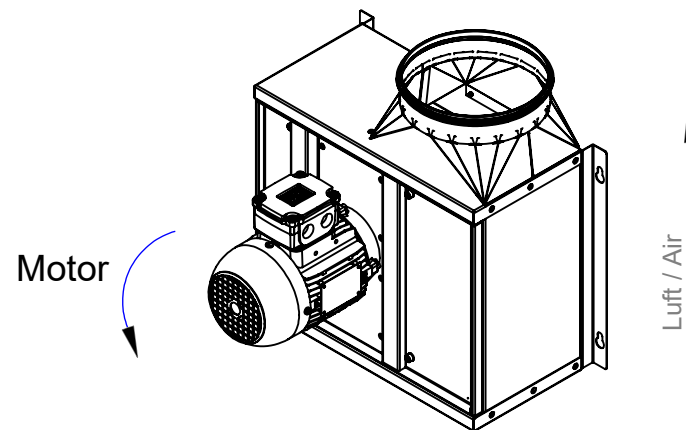
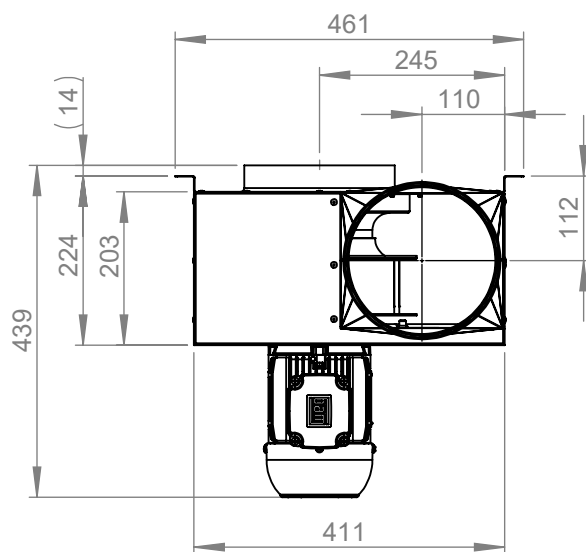
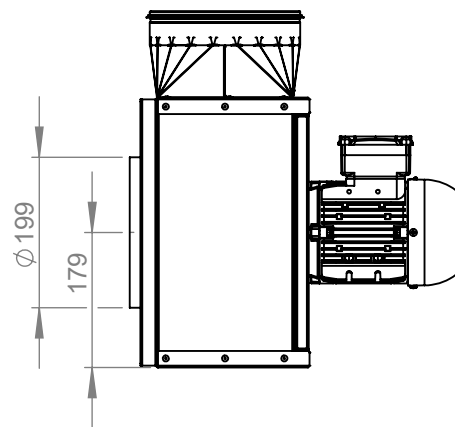
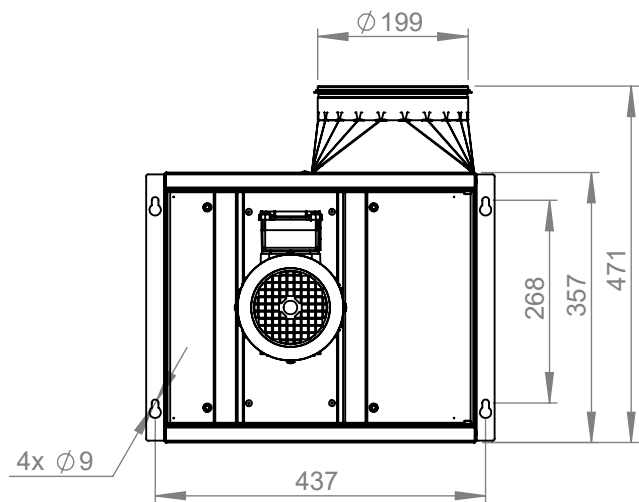


- Motor outside of air stream
- Speed controllable
- Swing-out fan unit
- The housing is designed to function as a grease pan
- Galvanized sheet steel housing
- With integrated wall mounting brackets
- Star-Delta operation possible
- Star: direct 400V 3~ grid or frequency converter with 400V output
- Delta: direct 230V 3~ grid or frequency converter with 230V 1~ input and 230V 3~ output

Operating Point		1	2	3	4	5
Current I	A	0,6	0,7	0,9	0,9	0,8
Power consumption P_i	W	234	388	494	492	434
Rotation speed n	1/min	3520	3468	3430	3433	3460
SWL inlet L_{WA5}	dB(A)	82	81	79	82	84
SWL outlet L_{WA6}	dB(A)	84	84	81	85	88
SWL housing break out L_{WA2}	dB(A)	76	76	73	74	76

Sound power (L_W) dB(A)		Medium Frequency Band								
		Σ	63	125	250	500	1k	2k	4k	8k
Inlet	L_{WA5}	79	51	69	66	74	74	71	69	62
Outlet	L_{WA6}	81	53	61	66	78	72	74	71	64
Housing radiation	L_{WA2}	73	41	56	59	67	67	68	63	56

MPX 225 D2 40 158779	
Voltage U_N	400 V 3~
Current I_{max}	1,0 A
Ambient temperature t_A	60 °C
Conveyed medium temperature t_M	80 °C
Speed Control	f
Motor protection	-
Insulation class motor	F
Weight	18,7 kg
Number of poles	2
IP motor	IP55
IP terminal box	-
IP complete unit	-
Min. operating temperature	-20 °C



ruck^{eu}
VENTILATOREN
ruck Ventilatoren
Max-Planck-Str. 5
D-97944 Boxberg



Protection Mark
according to ISO16016

Created s.pop
Drawn s.pop
Released s.pop
Disabled

1:10 A4 mm

General tolerances
DIN ISO 2768-c

25.06.2021
25.06.2021
25.06.2021

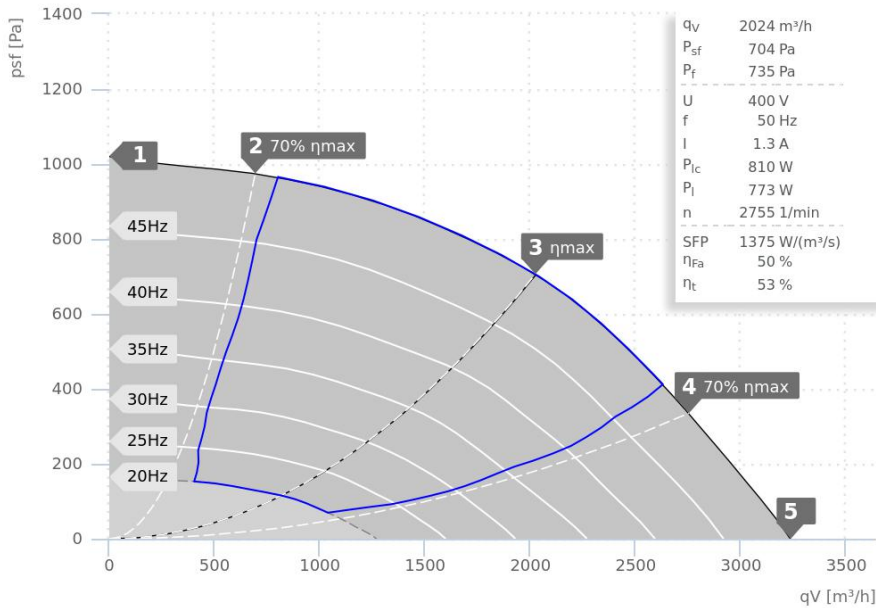
MPX225D240

158779 00

VENTAS
VENTILATORER

DATA SHEET

MPX 280 D2 40 | 158781



— ErP compliant range

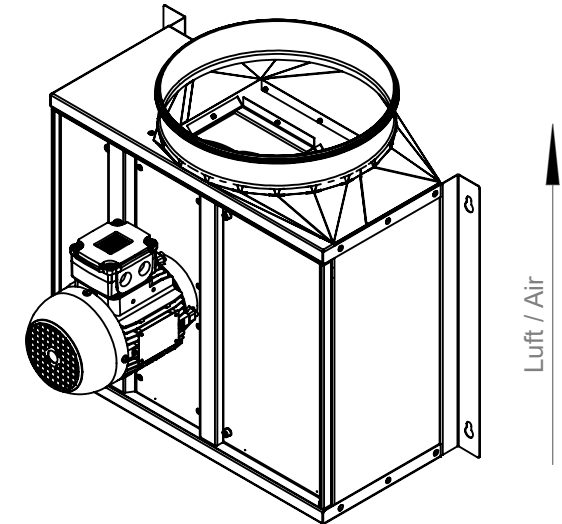
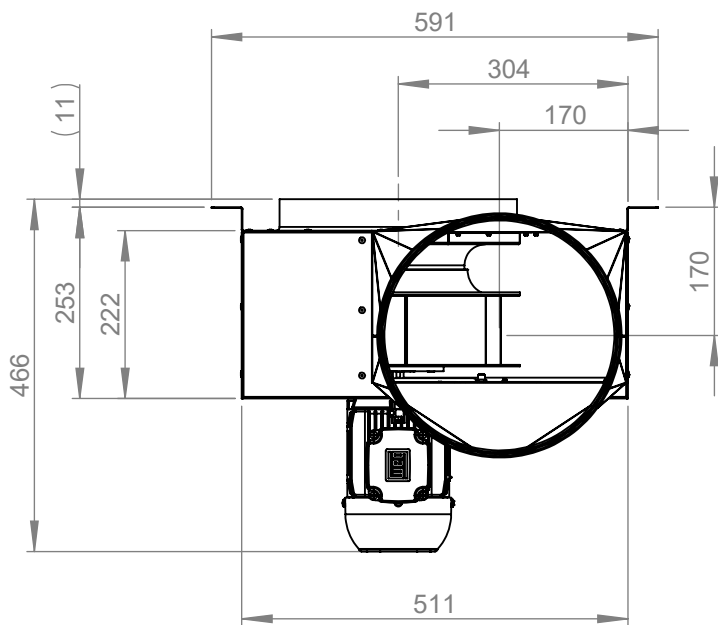
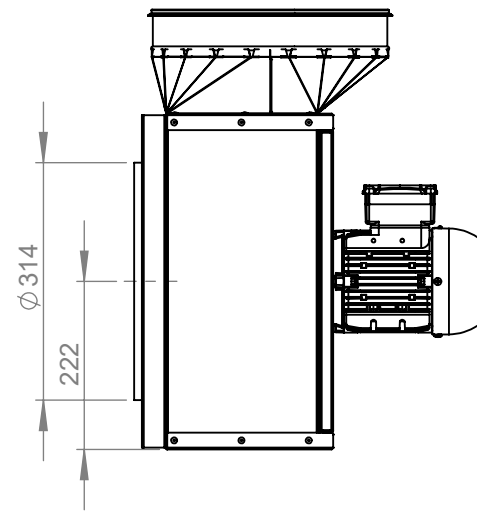
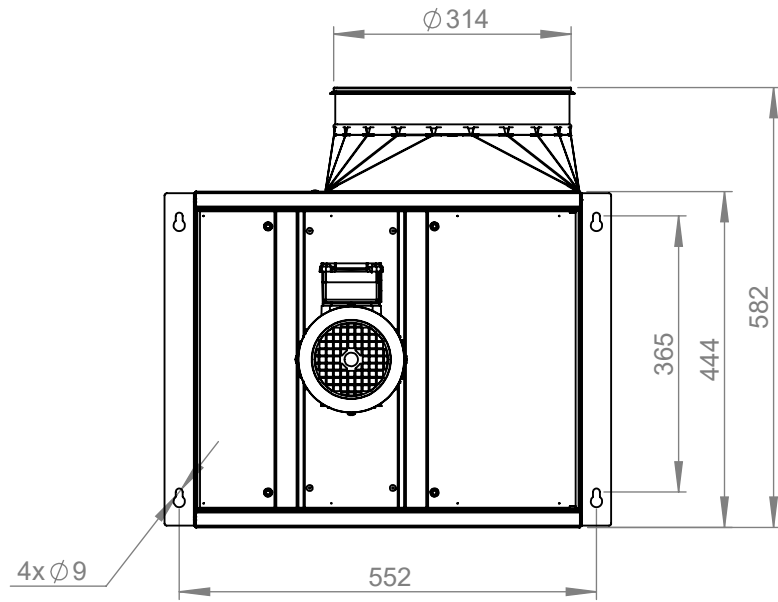


- Motor outside of air stream
- Speed controllable
- Swing-out fan unit
- The housing is designed to function as a grease pan
- Galvanized sheet steel housing
- With integrated wall mounting brackets
- Star-Delta operation possible
- Star: direct 400V 3~ grid or frequency converter with 400V output
- Delta: direct 230V 3~ grid or frequency converter with 230V 1~ input and 230V 3~ output

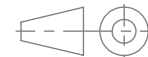
Operating Point		1	2	3	4	5
Current I	A	0,7	1,0	1,3	1,2	1,0
Power consumption P _i	W	323	523	775	713	591
Rotation speed n	1/min	2909	2841	2757	2783	2822
SWL inlet L _{WA5}	dB(A)	83	82	81	84	87
SWL outlet L _{WA6}	dB(A)	86	86	84	88	90
SWL housing break out L _{WA2}	dB(A)	75	75	73	77	75

Sound power (L _W) dB(A)		Medium Frequency Band								
		Σ	63	125	250	500	1k	2k	4k	8k
Inlet	L _{WA5}	81	46	58	74	76	75	73	72	65
Outlet	L _{WA6}	84	44	60	80	75	78	77	74	67
Housing radiation	L _{WA2}	73	53	56	68	59	71	63	58	52

MPX 280 D2 40 158781	
Voltage U _N	400 V 3~
Current I _{max}	1,4 A
Ambient temperature t _A	60 °C
Conveyed medium temperature t _M	80 °C
Speed Control	f
Motor protection	-
Insulation class motor	F
Weight	23,2 kg
Number of poles	2
IP motor	IP55
IP terminal box	-
IP complete unit	-
Min. operating temperature	-20 °C



ruck^{eu}
 VENTILATOREN
 ruck Ventilatoren
 Max-Planck-Str. 5
 D-97944 Boxberg



1:10 A4 mm

Protection Mark
according to ISO16016

General tolerances
DIN ISO 2768-c

Created s.pop
 Drawn s.pop
 Released s.pop
 Disabled

25.06.2021
 25.06.2021
 25.06.2021

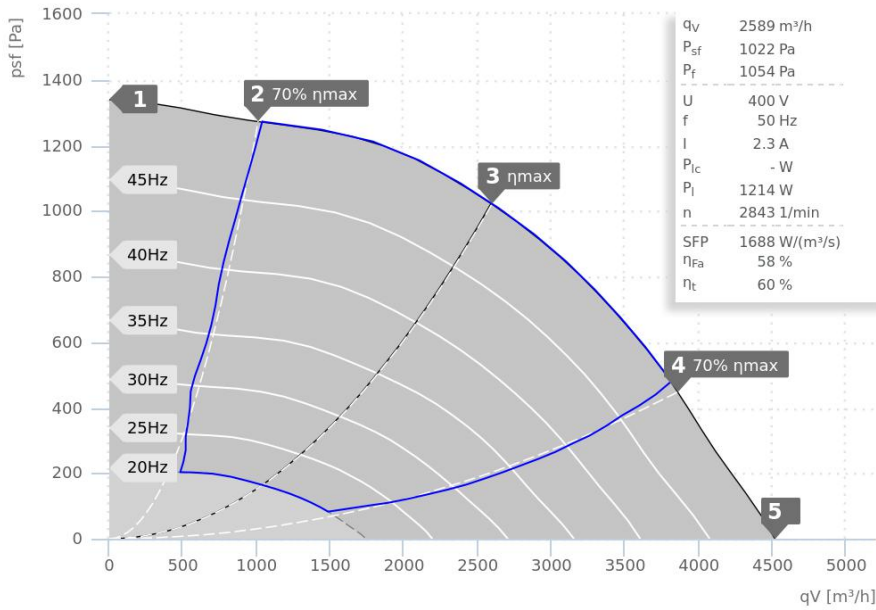
MPX280D240

158781 00

VENTAS
 VENTILATORER

DATA SHEET

MPX 315 D2 40 | 158812



— ErP compliant range

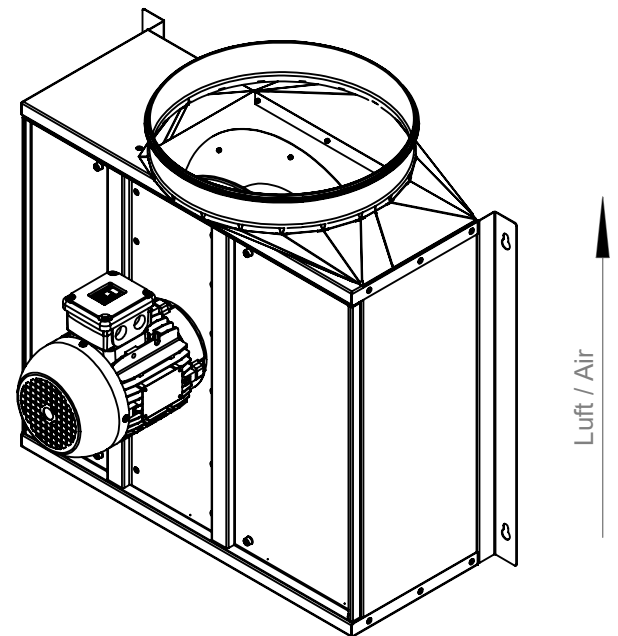
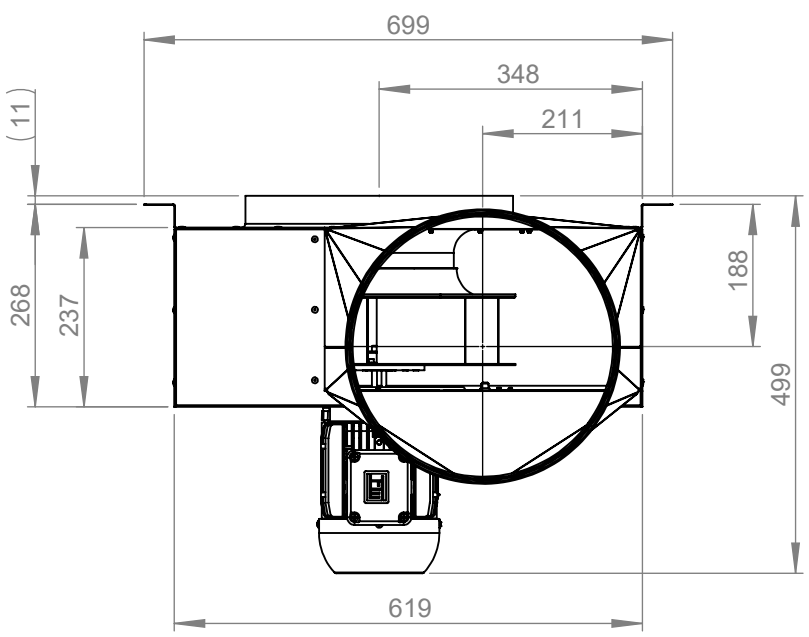
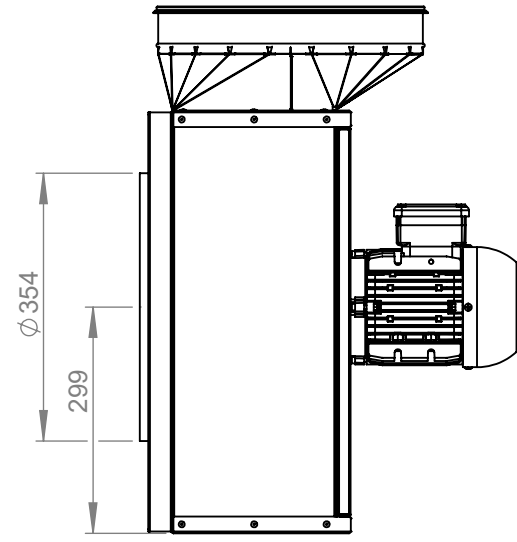
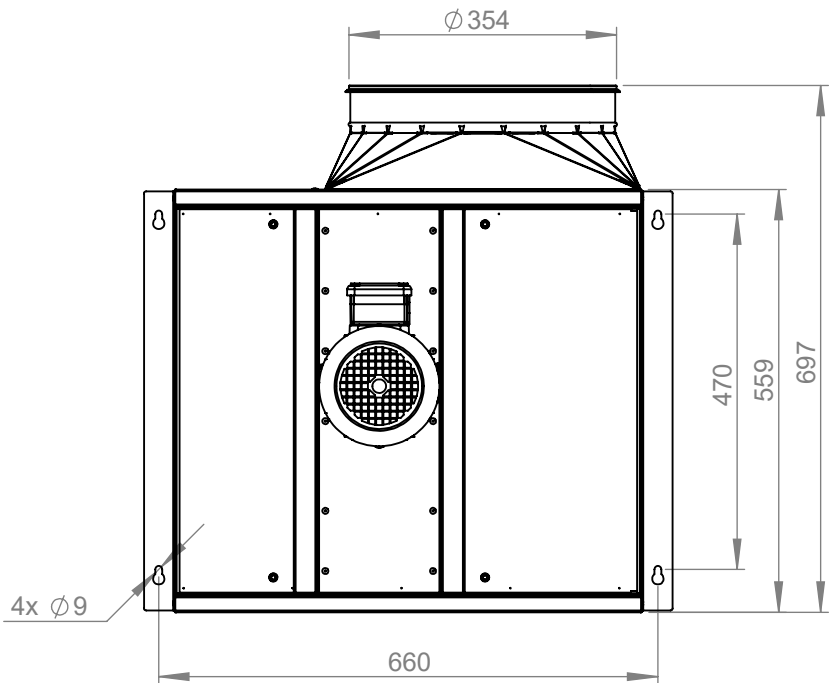


- Motor outside of air stream
- Speed controllable
- Swing-out fan unit
- The housing is designed to function as a grease pan
- Galvanized sheet steel housing
- With integrated wall mounting brackets
- Star-Delta operation possible
- Star: direct 400V 3~ grid or frequency converter with 400V output
- Delta: direct 230V 3~ grid or frequency converter with 230V 1~ input and 230V 3~ output

Operating Point		1	2	3	4	5
Current I	A	1,6	1,9	2,3	2,2	2,0
Power consumption P _i	W	491	859	1215	1126	906
Rotation speed n	1/min	2934	2894	2845	2860	2891
SWL inlet L _{WA5}	dB(A)	85	84	82	85	88
SWL outlet L _{WA6}	dB(A)	89	87	86	88	91
SWL housing break out L _{WA2}	dB(A)	78	77	75	76	78

Sound power (L _W) dB(A)		Medium Frequency Band								
		Σ	63	125	250	500	1k	2k	4k	8k
Inlet	L _{WA5}	82	45	56	75	76	74	75	74	68
Outlet	L _{WA6}	86	48	61	82	75	78	78	75	69
Housing radiation	L _{WA2}	75	57	63	71	66	67	66	62	57

MPX 315 D2 40 158812	
Voltage U _N	400 V 3~
Current I _{max}	2,5 A
Ambient temperature t _A	60 °C
Conveyed medium temperature t _M	80 °C
Speed Control	f
Motor protection	-
Insulation class motor	F
Weight	31,9 kg
Number of poles	2
IP motor	IP55
IP terminal box	-
IP complete unit	-
Min. operating temperature	-20 °C



ruck^{eu}
 VENTILATOREN
 ruck Ventilatoren
 Max-Planck-Str. 5
 D-97944 Boxberg

Protection Mark
 according to ISO16016
 Created s.pop
 Drawn s.pop
 Released s.pop
 Disabled

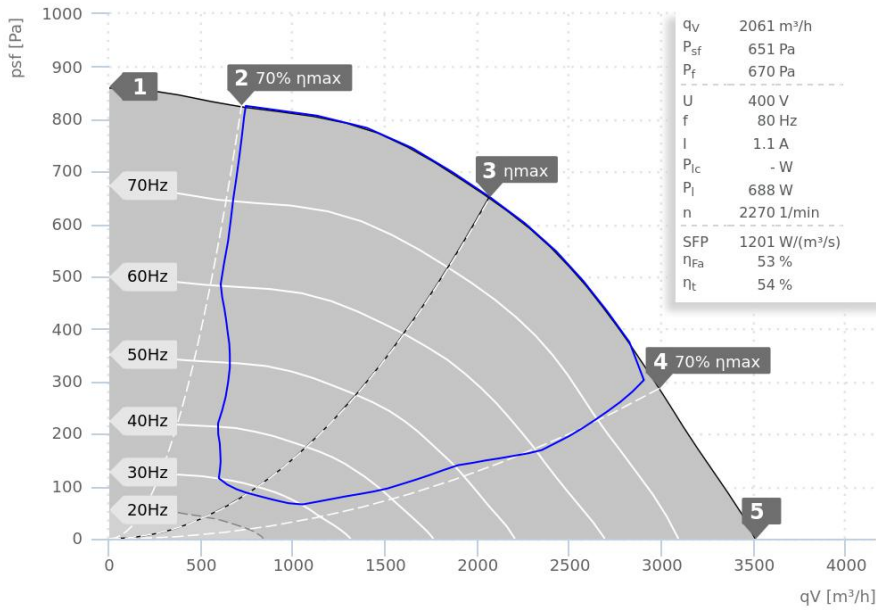
1:10 A4 mm
 General tolerances
 DIN ISO 2768-c
 29.06.2021
 29.06.2021
 29.06.2021

MPX315D240
158812 00



DATA SHEET

MPX 315 D4 40 | 158813



— ErP compliant range

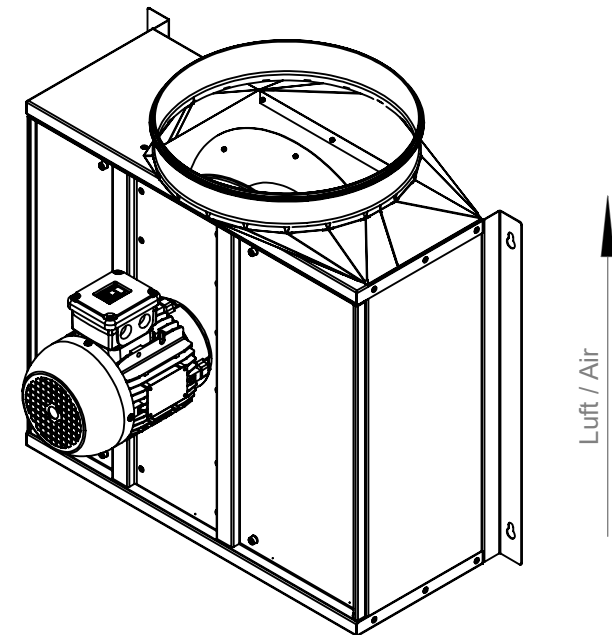
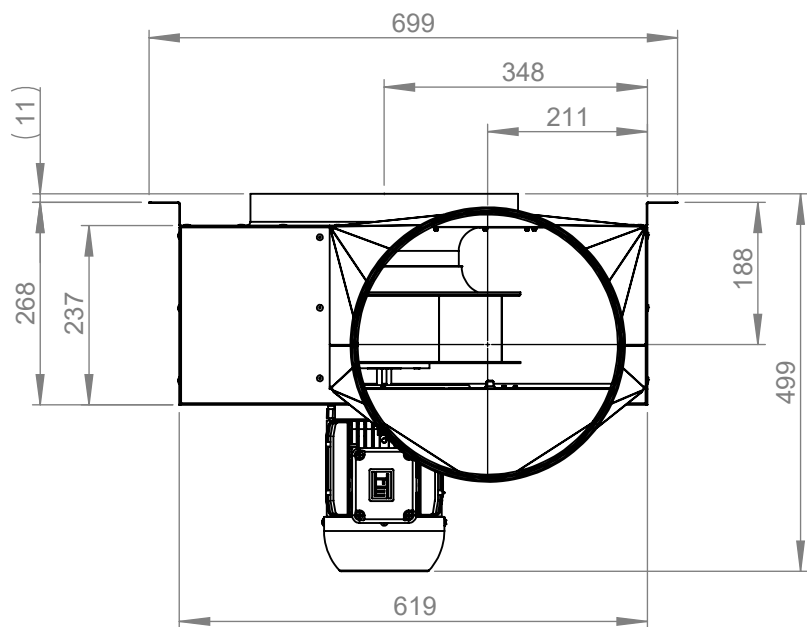
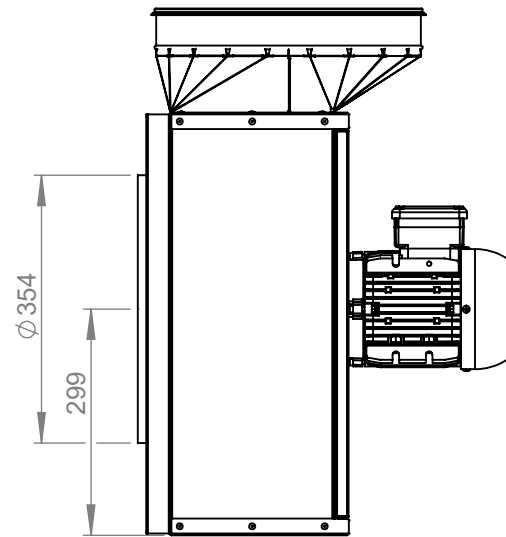
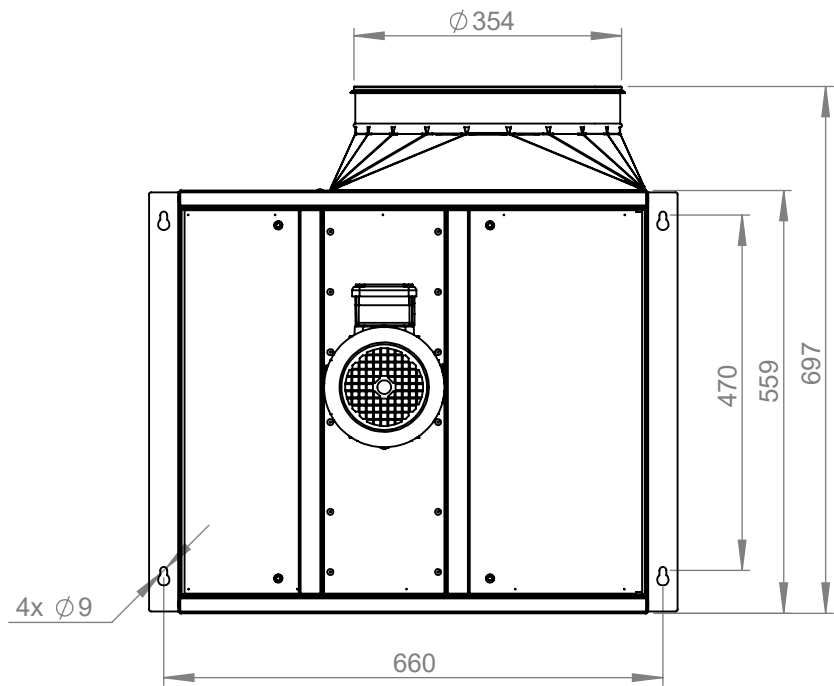


- Motor outside of air stream
- Speed controllable
- Swing-out fan unit
- The housing is designed to function as a grease pan
- Galvanized sheet steel housing
- With integrated wall mounting brackets
- Star-Delta operation possible
- Star: direct 400V 3~ grid or frequency converter with 400V output
- Delta: direct 230V 3~ grid or frequency converter with 230V 1~ input and 230V 3~ output

Operating Point		1	2	3	4	5
Current I	A	0,5	0,8	1,1	1,0	0,9
Power consumption P _i	W	273	440	691	627	508
Rotation speed n	1/min	2354	2322	2274	2289	2313
SWL inlet L _{WA5}	dB(A)	80	79	78	81	84
SWL outlet L _{WA6}	dB(A)	82	82	82	84	87
SWL housing break out L _{WA2}	dB(A)	72	72	73	76	78

Sound power (L _w) dB(A)		Medium Frequency Band								
		Σ	63	125	250	500	1k	2k	4k	8k
Inlet	L _{WA5}	78	50	56	70	73	70	72	70	63
Outlet	L _{WA6}	82	52	58	75	71	75	76	74	69
Housing radiation	L _{WA2}	73	45	56	71	63	61	64	56	50

MPX 315 D4 40 158813	
Voltage U _N	400 V 3~
Current I _{max}	1,2 A
Ambient temperature t _A	60 °C
Conveyed medium temperature t _M	80 °C
Speed Control	f
Motor protection	-
Insulation class motor	F
Weight	31,4 kg
Number of poles	4
IP motor	IP55
IP terminal box	-
IP complete unit	-
Min. operating temperature	-20 °C



ruck^{eu}
VENTILATOREN
 ruck Ventilatoren
 Max-Planck-Str. 5
 D-97944 Boxberg



Protection Mark
 according to ISO16016

Created s.pop
 Drawn s.pop
 Released s.pop
 Disabled

1:10 A4 mm

General tolerances
 DIN ISO 2768-c

29.06.2021
 29.06.2021
 29.06.2021

MPX315D440

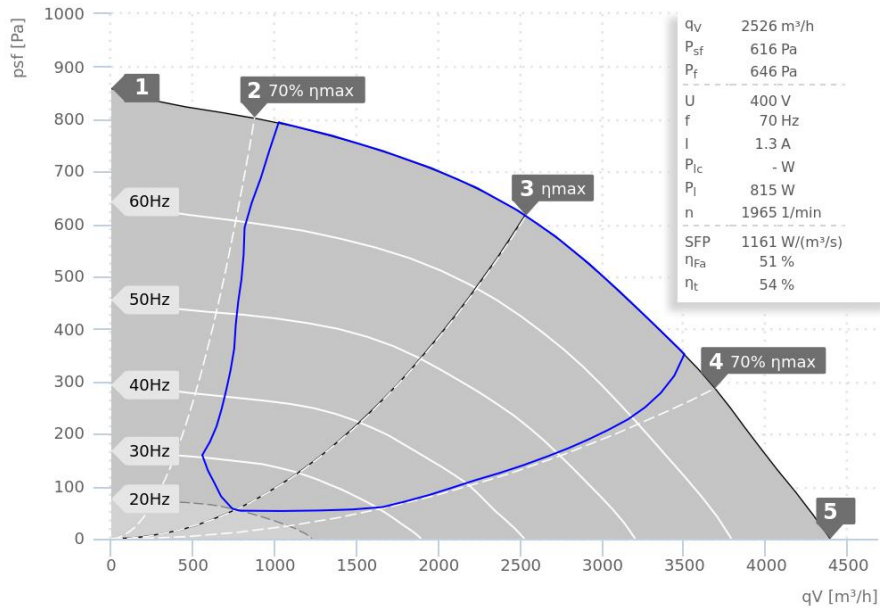
158813 00

VENTAS
 VENTILATORER

DATA SHEET

ruck.eu
VENTILATOREN

MPX 355 D4 40 | 158814



— ErP compliant range

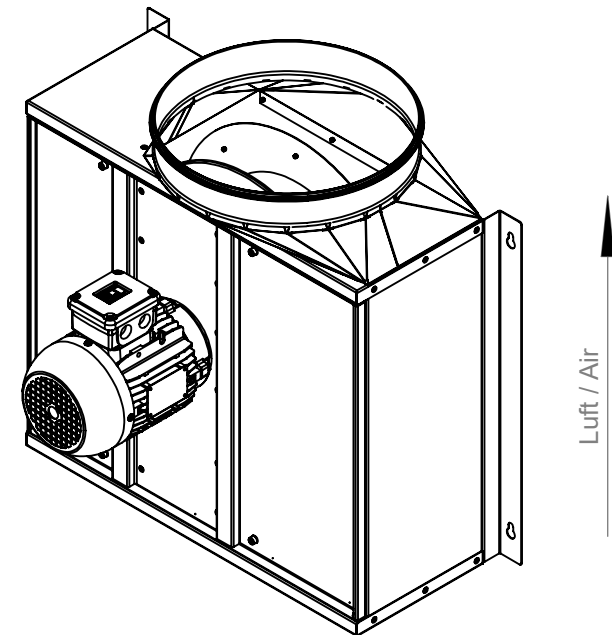
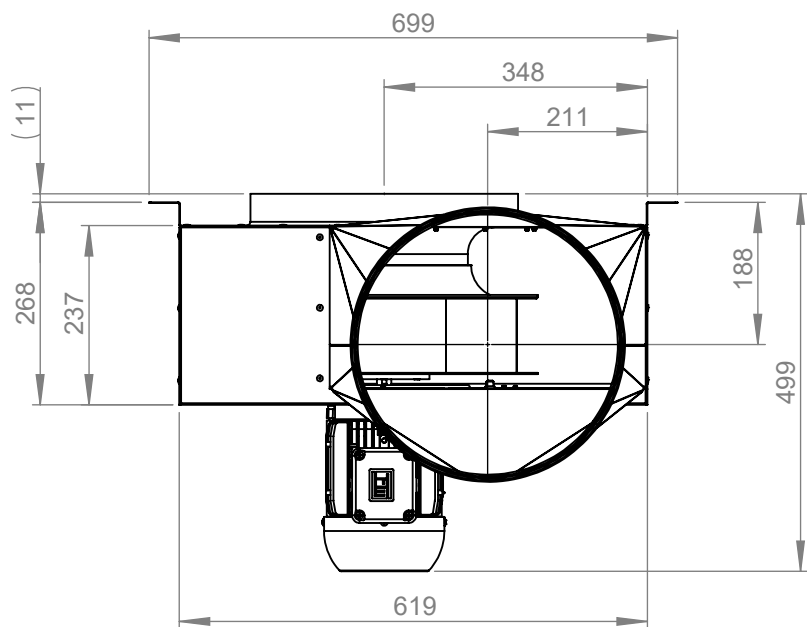
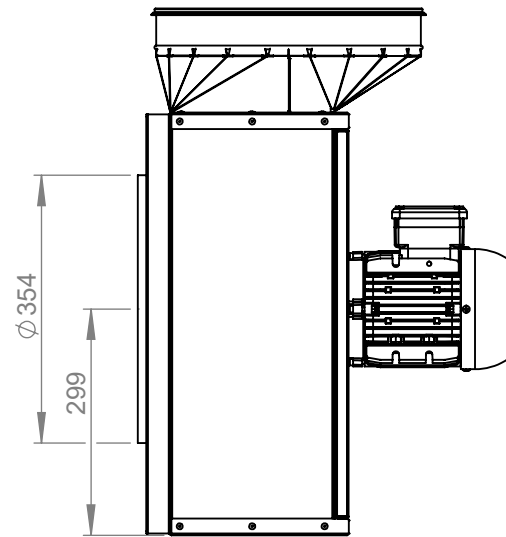
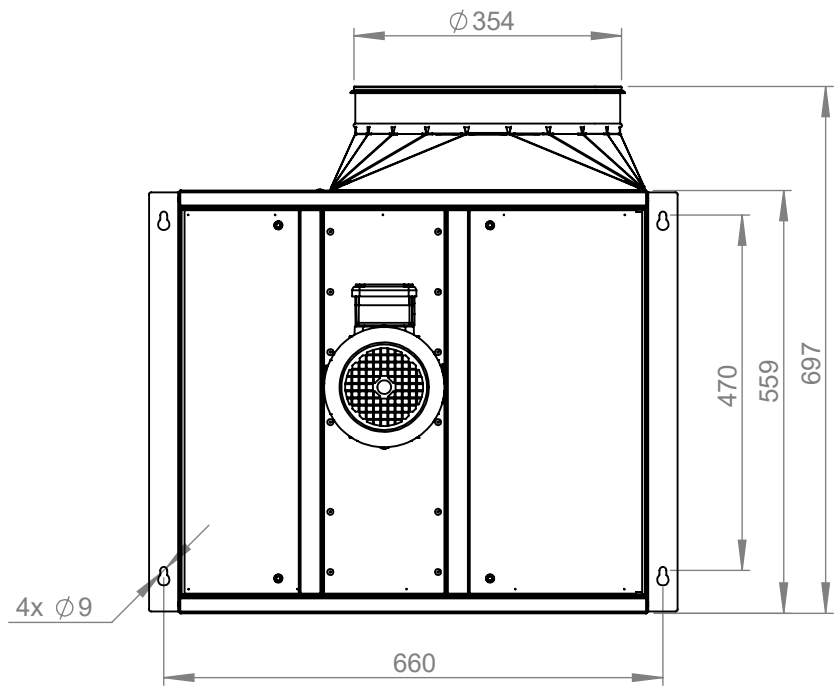


- Motor outside of air stream
- Speed controllable
- Swing-out fan unit
- The housing is designed to function as a grease pan
- Galvanized sheet steel housing
- With integrated wall mounting brackets
- Star-Delta operation possible
- Star: direct 400V 3~ grid or frequency converter with 400V output
- Delta: direct 230V 3~ grid or frequency converter with 230V 1~ input and 230V 3~ output

Operating Point		1	2	3	4	5
Current I	A	0,6	0,9	1,3	1,3	1,1
Power consumption P _i	W	321	534	816	785	643
Rotation speed n	1/min	2045	2017	1966	1977	2006
SWL inlet L _{WA5}	dB(A)	80	80	78	81	83
SWL outlet L _{WA6}	dB(A)	82	82	80	82	85
SWL housing break out L _{WA2}	dB(A)	71	71	69	73	75

Sound power (L _W) dB(A)		Medium Frequency Band								
		Σ	63	125	250	500	1k	2k	4k	8k
Inlet	L _{WA5}	78	42	58	69	73	72	72	71	63
Outlet	L _{WA6}	80	43	58	72	70	75	74	72	64
Housing radiation	L _{WA2}	69	44	58	66	59	62	61	54	48

MPX 355 D4 40 158814	
Voltage U _N	400 V 3~
Current I _{max}	1,4 A
Ambient temperature t _A	60 °C
Conveyed medium temperature t _M	80 °C
Speed Control	f
Motor protection	-
Insulation class motor	F
Weight	32,2 kg
Number of poles	4
IP motor	IP55
IP terminal box	-
IP complete unit	-
Min. operating temperature	-20 °C



ruck^{eu}
 VENTILATOREN
 ruck Ventilatoren
 Max-Planck-Str. 5
 D-97944 Boxberg



Protection Mark
 according to ISO16016

Created s.pop
 Drawn s.pop
 Released s.pop
 Disabled

1:10 A4 mm

General tolerances
 DIN ISO 2768-c

29.06.2021
 29.06.2021
 29.06.2021

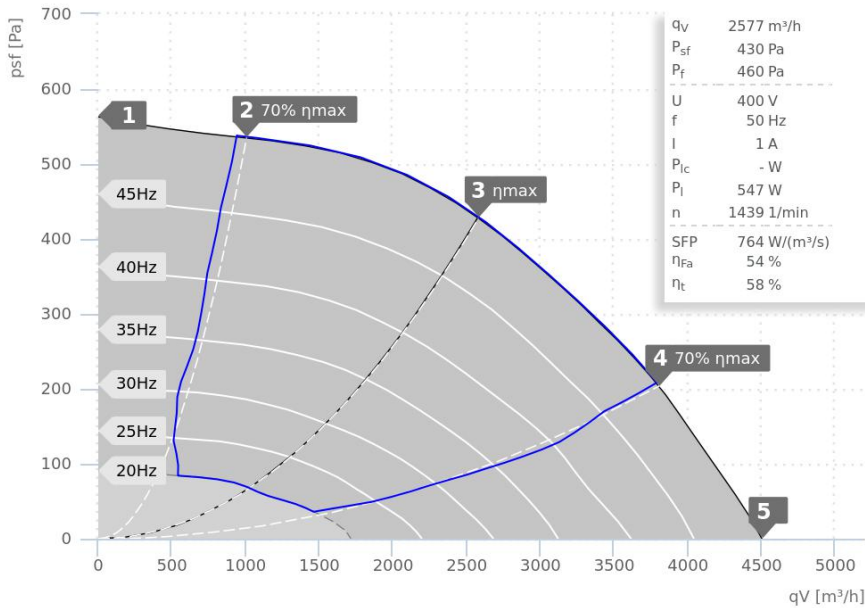
MPX355D440

158814 00

VENTAS
 VENTILATORER

DATA SHEET

MPX 400 D4 40 | 158820



— ErP compliant range

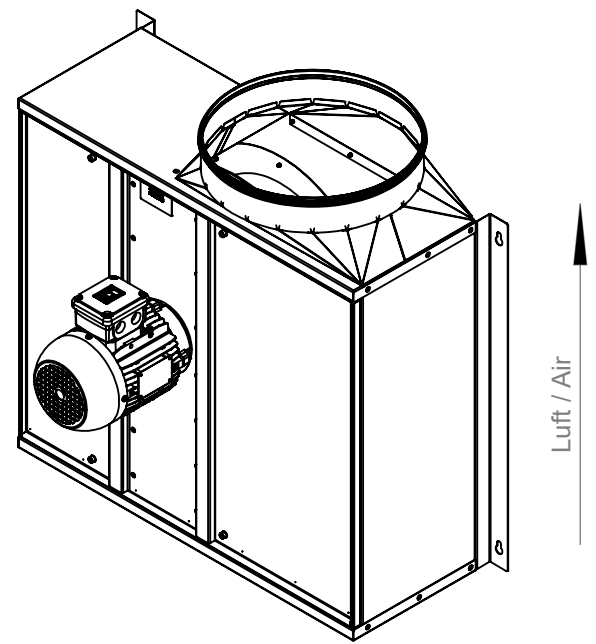
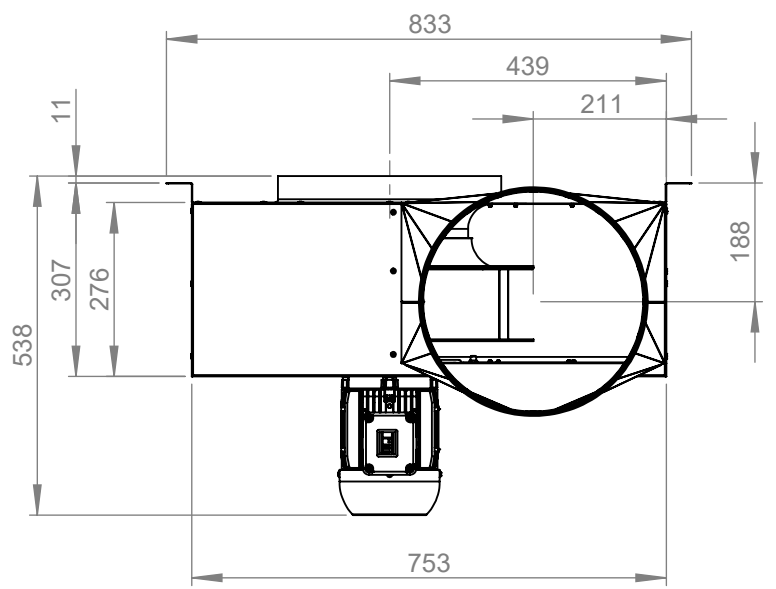
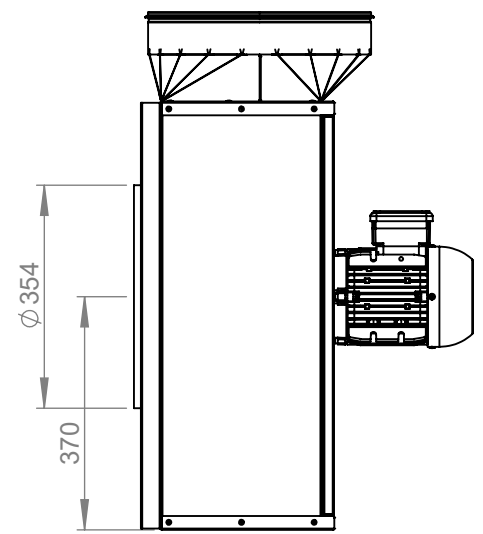
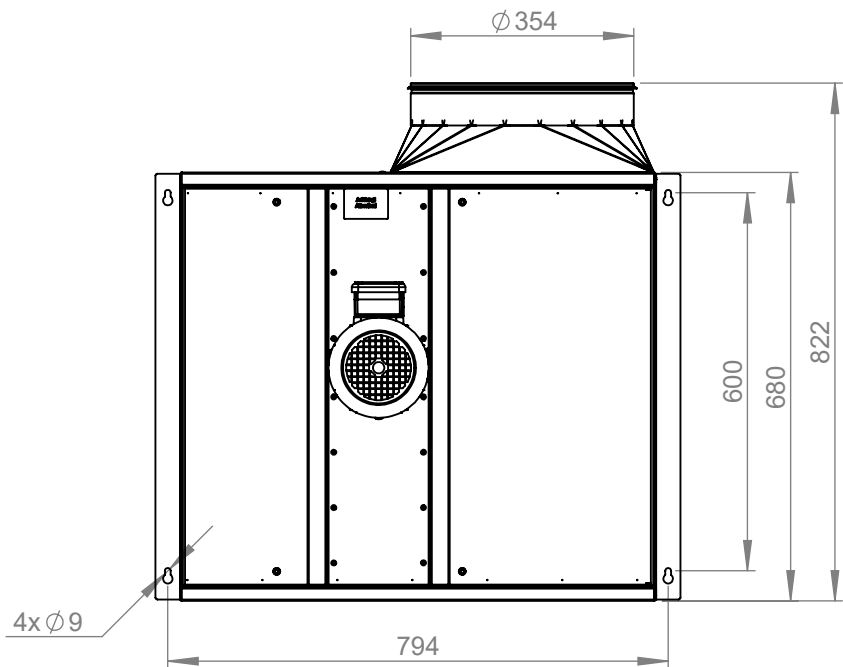


- Motor outside of air stream
- Speed controllable
- Swing-out fan unit
- The housing is designed to function as a grease pan
- Galvanized sheet steel housing
- With integrated wall mounting brackets
- Star-Delta operation possible
- Star: direct 400V 3~ grid or frequency converter with 400V output
- Delta: direct 230V 3~ grid or frequency converter with 230V 1~ input and 230V 3~ output

Operating Point		1	2	3	4	5
Current I	A	0,7	0,9	1,0	1,0	0,9
Power consumption P _i	W	239	388	549	552	466
Rotation speed n	1/min	1475	1460	1441	1443	1452
SWL inlet L _{WA5}	dB(A)	74	74	73	76	78
SWL outlet L _{WA6}	dB(A)	76	75	74	77	79
SWL housing break out L _{WA2}	dB(A)	68	68	68	70	71

Sound power (L _W) dB(A)		Medium Frequency Band								
		Σ	63	125	250	500	1k	2k	4k	8k
Inlet	L _{WA5}	73	38	61	65	66	67	65	60	55
Outlet	L _{WA6}	74	38	61	66	65	70	67	63	60
Housing radiation	L _{WA2}	68	41	61	60	56	61	55	49	62

MPX 400 D4 40 158820	
Voltage U _N	400 V 3~
Current I _{max}	1,1 A
Ambient temperature t _A	60 °C
Conveyed medium temperature t _M	80 °C
Speed Control	f
Motor protection	-
Insulation class motor	F
Weight	40,8 kg
Number of poles	4
IP motor	IP55
IP terminal box	-
IP complete unit	-
Min. operating temperature	-20 °C



ruck^{eu}
 VENTILATOREN
 ruck Ventilatoren
 Max-Planck-Str. 5
 D-97944 Boxberg

Protection Mark
 according to ISO16016
 Created s.pop
 Drawn s.pop
 Released s.pop
 Disabled

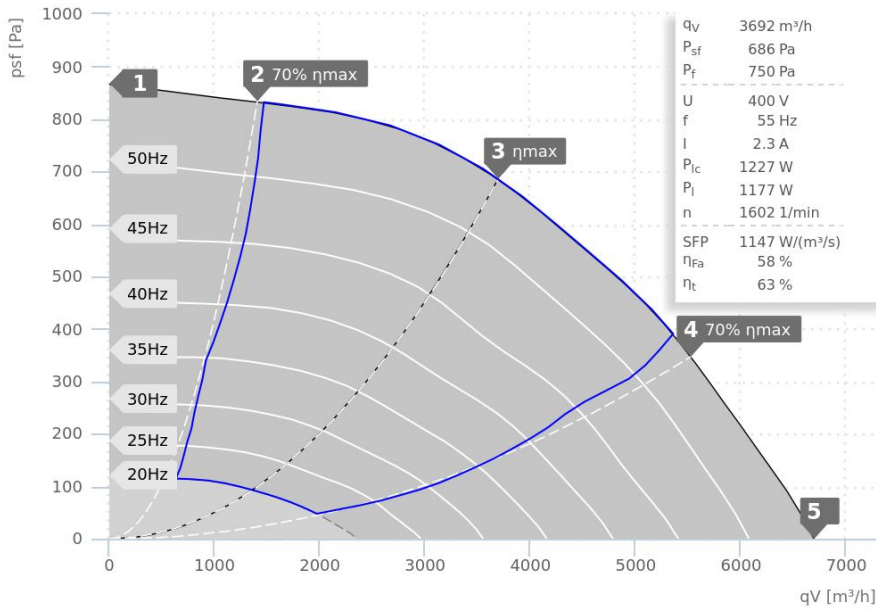
1:12 A4 mm
 General tolerances
 DIN ISO 2768-c
 30.06.2021
 30.06.2021
 30.06.2021

MPX400D440
158820 00



DATA SHEET

MPX 450 D4 40 | 158821



— ErP compliant range

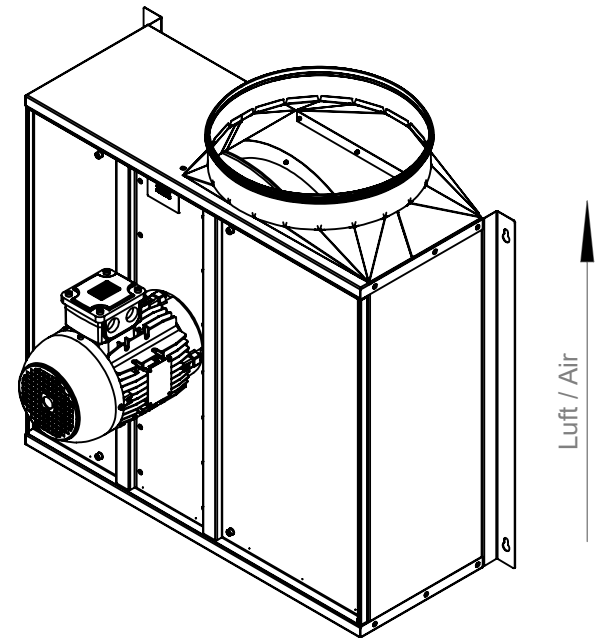
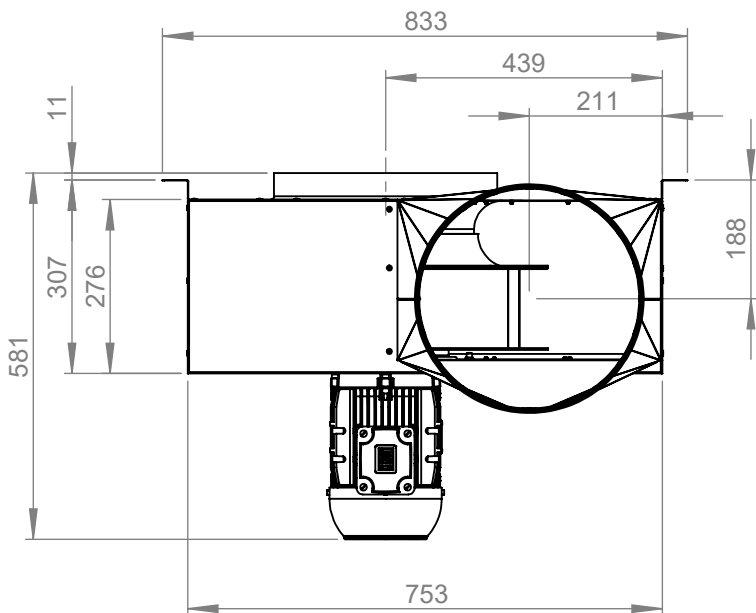
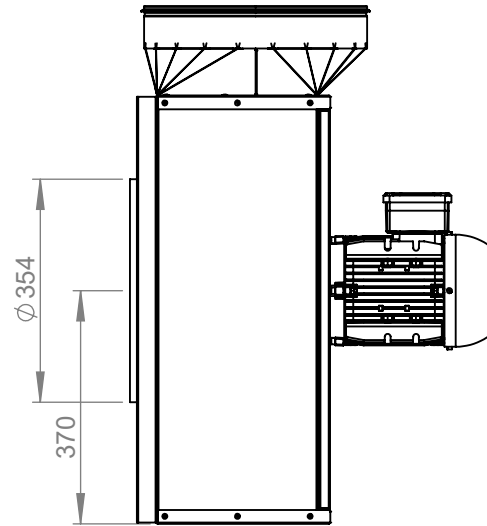
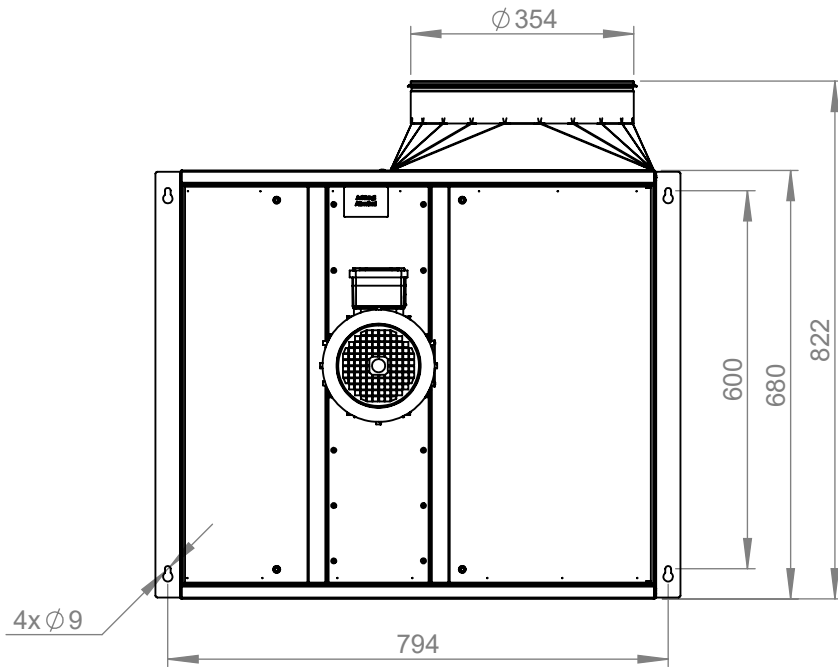


- Motor outside of air stream
- Speed controllable
- Swing-out fan unit
- The housing is designed to function as a grease pan
- Galvanized sheet steel housing
- With integrated wall mounting brackets
- Star-Delta operation possible
- Star: direct 400V 3~ grid or frequency converter with 400V output
- Delta: direct 230V 3~ grid or frequency converter with 230V 1~ input and 230V 3~ output

Operating Point		1	2	3	4	5
Current I	A	1,5	1,8	2,3	2,4	2,2
Power consumption P _i	W	488	798	1180	1274	1116
Rotation speed n	1/min	1624	1620	1603	1601	1608
SWL inlet L _{WA5}	dB(A)	82	82	81	84	86
SWL outlet L _{WA6}	dB(A)	84	83	81	85	88
SWL housing break out L _{WA2}	dB(A)	74	75	73	75	77

Sound power (L _W) dB(A)		Medium Frequency Band								
		Σ	63	125	250	500	1k	2k	4k	8k
Inlet	L _{WA5}	81	50	65	74	75	75	75	70	61
Outlet	L _{WA6}	81	49	66	77	72	76	74	70	60
Housing radiation	L _{WA2}	73	59	64	69	63	65	62	58	50

MPX 450 D4 40 158821	
Voltage U _N	400 V 3~
Current I _{max}	2,6 A
Ambient temperature t _A	60 °C
Conveyed medium temperature t _M	80 °C
Speed Control	f
Motor protection	-
Insulation class motor	F
Weight	51,0 kg
Number of poles	4
IP motor	IP55
IP terminal box	-
IP complete unit	-
Min. operating temperature	-20 °C



ruck^{eu}
VENTILATOREN
ruck Ventilatoren
Max-Planck-Str. 5
D-97944 Boxberg



Protection Mark
according to ISO16016

Created s.pop
Drawn s.pop
Released s.pop
Disabled

1:12 A4 mm

General tolerances
DIN ISO 2768-c

30.06.2021
30.06.2021
30.06.2021

MPX450D440

158821 00

VENTAS
VENTILATORER