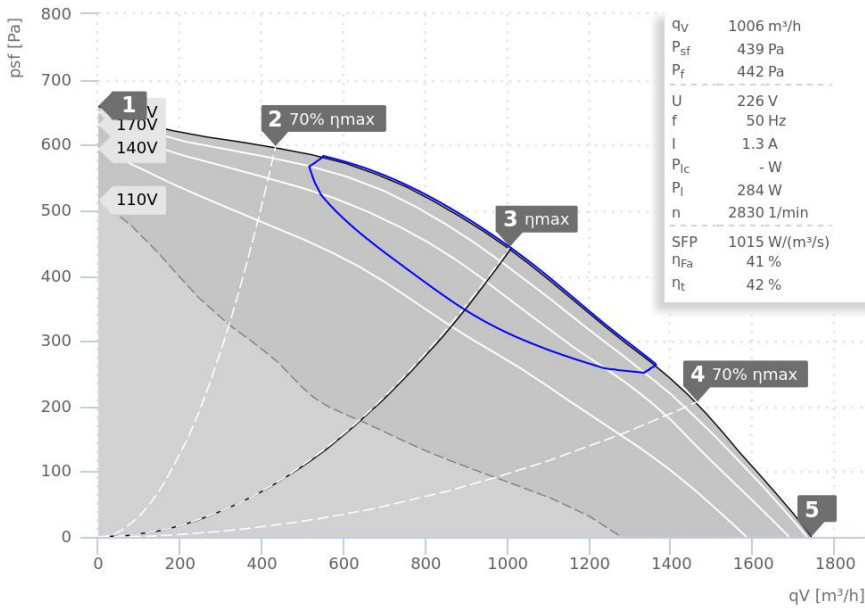


DATA SHEET

ruck.eu
VENTILATOREN

MPC 225 E2 T21 | 137885



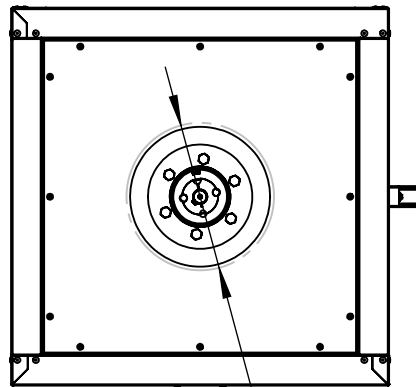
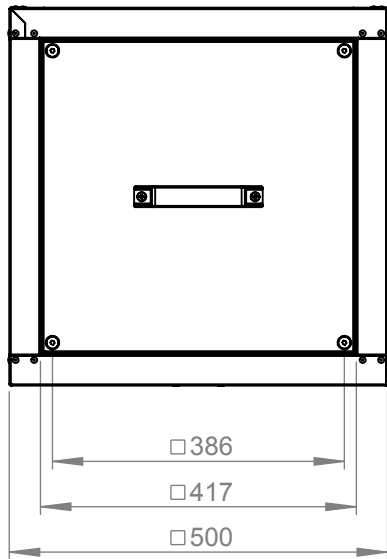
- Motor outside of air stream
- Galvanized sheet steel double wall casing
- Speed controllable
- Bottom pan with drain
- 30 mm insulation

— ErP compliant range

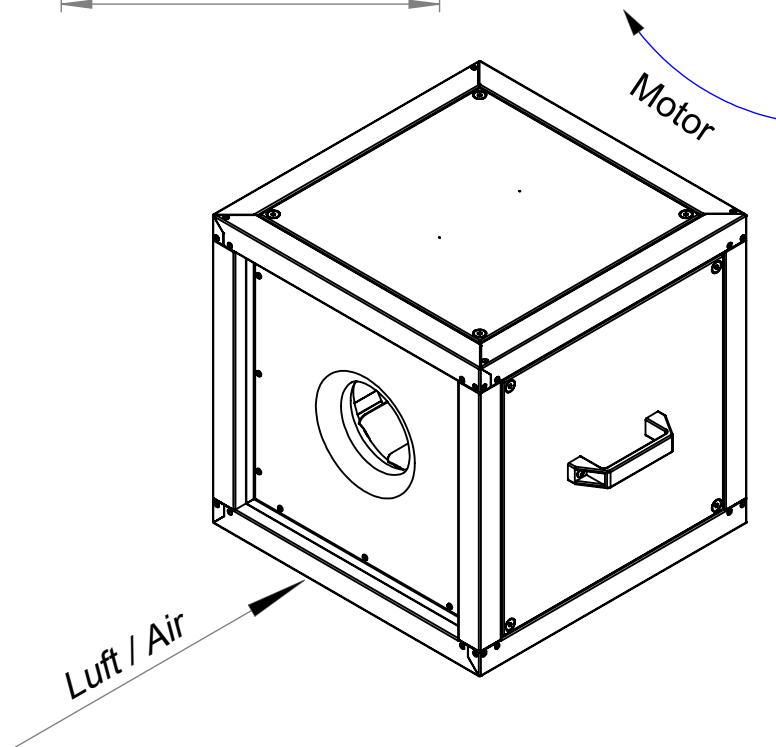
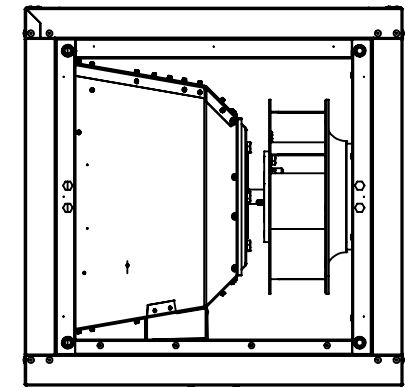
Operating Point		1	2	3	4	5
Current I	A	0,8	1,1	1,3	1,2	1,1
Power consumption P _l	W	169	240	286	272	235
Rotation speed n	1/min	2917	2865	2838	2847	2876
SWL inlet L _{WA5}	dB(A)	74	73	71	75	78
SWL outlet L _{WA6}	dB(A)	77	76	75	78	80
SWL housing break out L _{WA2}	dB(A)	69	68	67	69	71

Sound power (L _W) dB(A)		Medium Frequency Band								
		Σ	63	125	250	500	1k	2k	4k	8k
Inlet	L _{WA5}	71	52	53	60	64	65	64	61	57
Outlet	L _{WA6}	75	56	65	65	66	69	69	62	56
Housing radiation	L _{WA2}	67	55	53	58	58	60	60	58	57

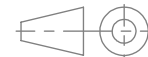
MPC 225 E2 T21 137885	
Voltage U _N	230 V 1~
Current I _{max}	2,1 A
Ambient temperature t _A	80 °C
Conveyed medium temperature t _M	80 °C
Speed Control	V
Motor protection	TAO
Insulation class motor	F
Weight	35,9 kg
Number of poles	2
IP motor	IP54
IP terminal box	-
IP complete unit	-
Min. operating temperature	-25 °C



Anschlussmaß innen
min. \varnothing 195
Connection size inside
min. \varnothing 195



ruck Ventilatoren
Max-Planck-Str. 5
D-97944 Boxberg



Protection Mark
according to ISO16016

Created s.pop
Drawn s.pop
Released d.hancu
Disabled

1:10 A4 mm

General tolerances
DIN ISO 2768-c

28.08.2017
28.08.2017
17.07.2018

MPC225E2T21+

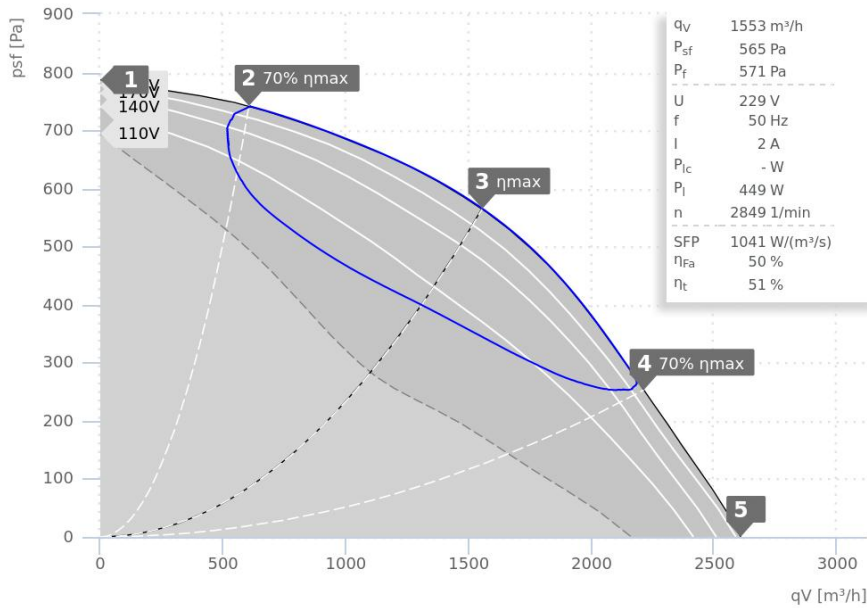
137885 02



DATA SHEET

ruck.eu
VENTILATOREN

MPC 250 E2 T20 | 126679



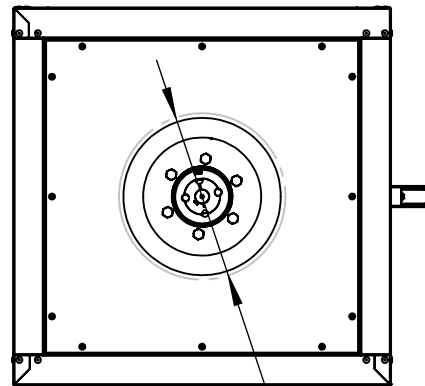
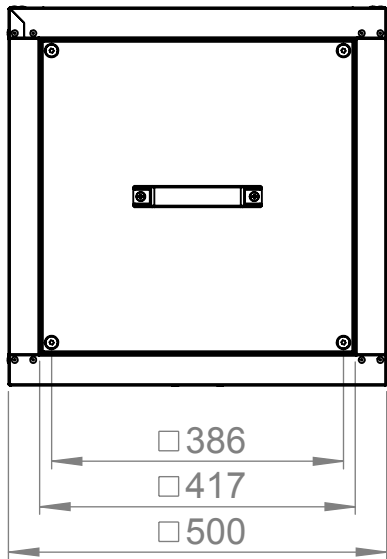
- Motor outside of air stream
- Galvanized sheet steel double wall casing
- Speed controllable
- Bottom pan with drain
- 30 mm insulation

— ErP compliant range

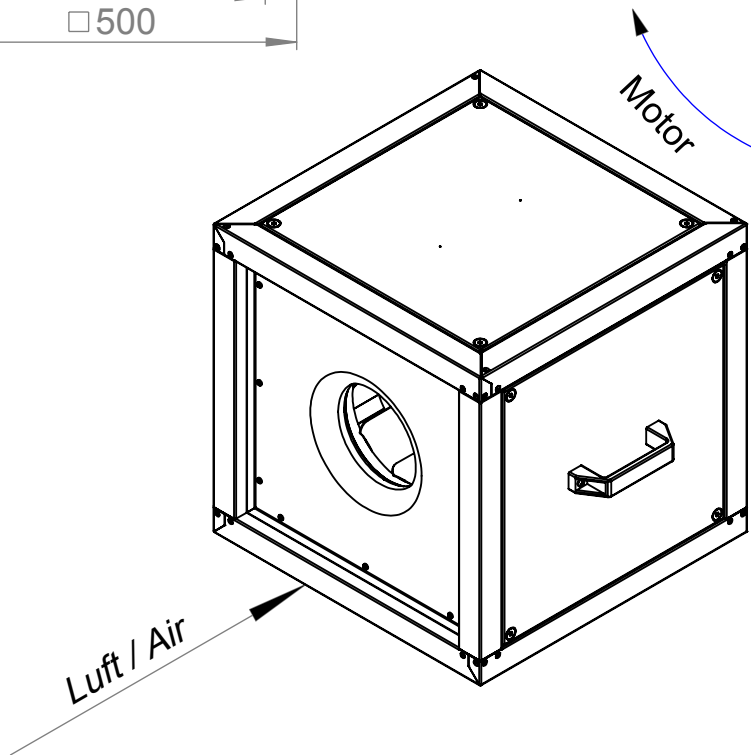
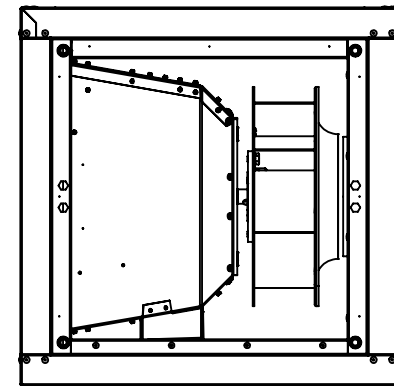
Operating Point		1	2	3	4	5
Current I	A	1,0	1,5	2,0	1,8	1,5
Power consumption P _i	W	212	332	450	408	343
Rotation speed n	1/min	2943	2896	2850	2871	2895
SWL inlet L _{WA5}	dB(A)	76	77	77	80	83
SWL outlet L _{WA6}	dB(A)	82	80	79	83	85
SWL housing break out L _{WA2}	dB(A)	73	73	73	73	75

Sound power (L _w) dB(A)		Medium Frequency Band								
		Σ	63	125	250	500	1k	2k	4k	8k
Inlet	L _{WA5}	77	54	57	67	71	70	70	68	63
Outlet	L _{WA6}	79	53	56	70	71	74	74	70	65
Housing radiation	L _{WA2}	73	62	57	60	66	68	67	65	60

MPC 250 E2 T20 126679	
Voltage U _N	230 V 1~
Current I _{max}	3,4 A
Ambient temperature t _A	80 °C
Conveyed medium temperature t _M	80 °C
Speed Control	V
Motor protection	TAO
Insulation class motor	F
Weight	44,0 kg
Number of poles	2
IP motor	IP54
IP terminal box	-
IP complete unit	-
Min. operating temperature	-25 °C



Anschlussmaß innen
min. \varnothing 220
Connection size inside
min. \varnothing 220



ruck^{eu}
VENTILATOREN
ruck Ventilatoren
Max-Planck-Str. 5
D-97944 Boxberg



Protection Mark
according to ISO16016
Created s.pop
Drawn s.pop
Released d.hancu
Disabled

1:10 A4 mm

General tolerances
DIN ISO 2768-c

MPC250E2T20+

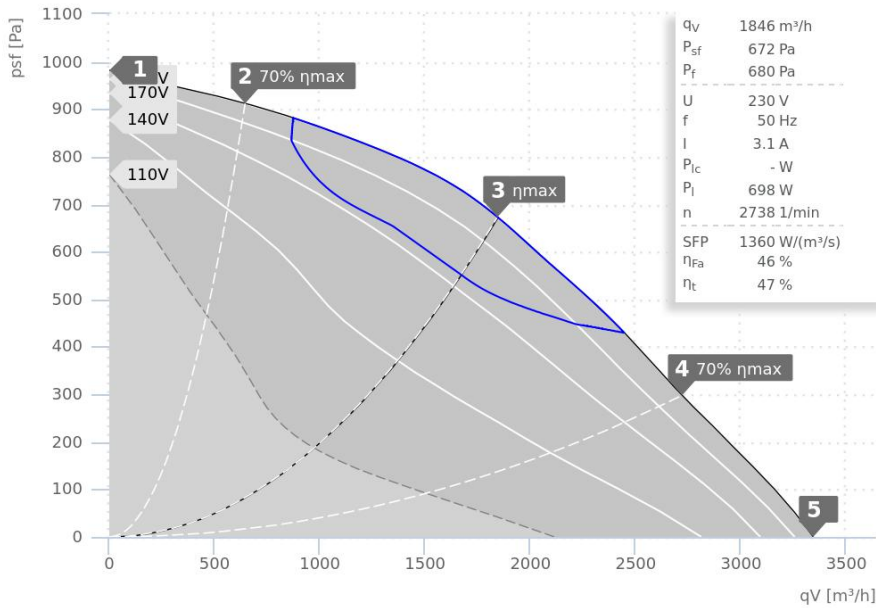
126679 02

VENTAS
VENTILATOREN

DATA SHEET

ruck.eu
VENTILATOREN

MPC 280 E2 T20 | 126681



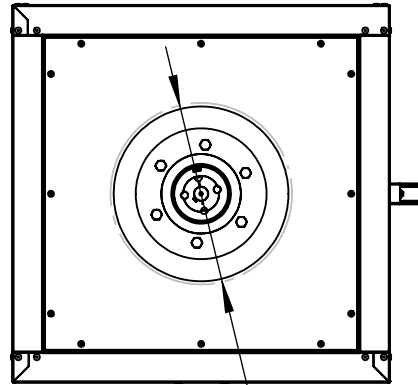
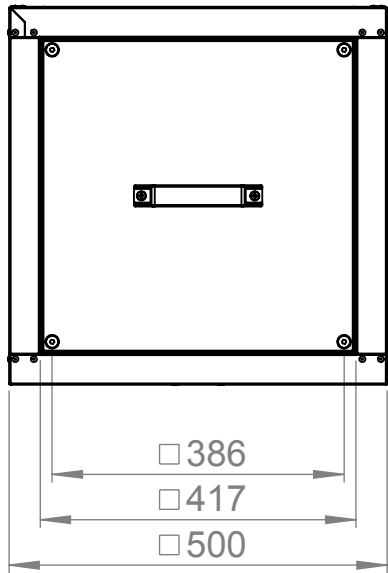
- Motor outside of air stream
- Galvanized sheet steel double wall casing
- Speed controllable
- Bottom pan with drain
- 30 mm insulation

— ErP compliant range

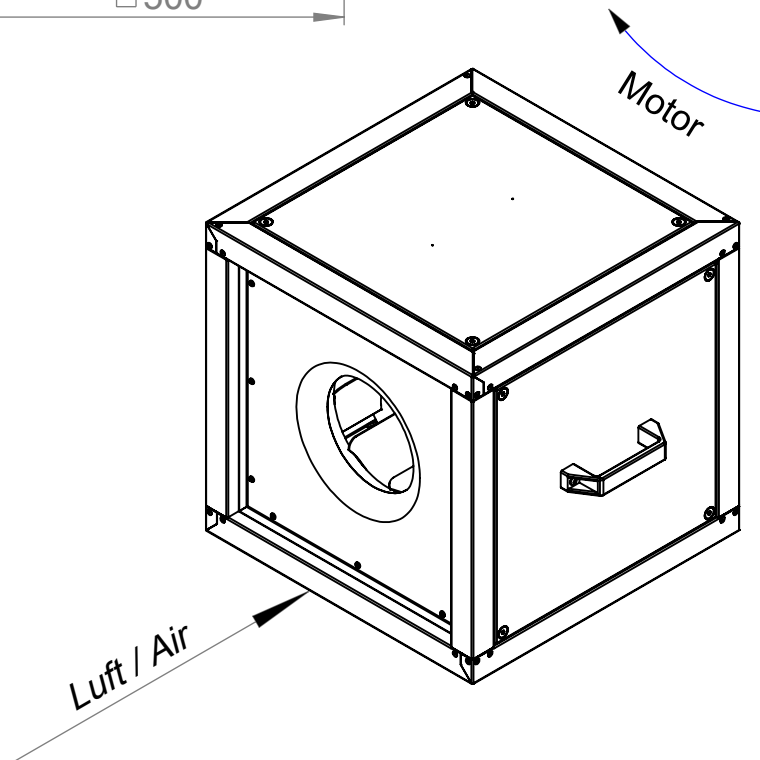
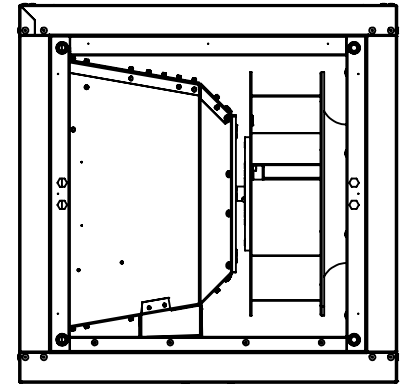
Operating Point		1	2	3	4	5
Current I	A	1,6	2,2	3,1	2,9	2,5
Power consumption P _i	W	314	479	697	649	551
Rotation speed n	1/min	2904	2836	2738	2765	2815
SWL inlet L _{WA5}	dB(A)	83	81	80	82	85
SWL outlet L _{WA6}	dB(A)	84	82	82	86	88
SWL housing break out L _{WA2}	dB(A)	79	78	75	76	77

Sound power (L _w) dB(A)		Medium Frequency Band								
		Σ	63	125	250	500	1k	2k	4k	8k
Inlet	L _{WA5}	80	54	62	70	73	72	73	71	66
Outlet	L _{WA6}	82	59	63	74	74	76	76	72	64
Housing radiation	L _{WA2}	75	53	59	64	66	69	70	68	64

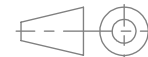
MPC 280 E2 T20 126681	
Voltage U _N	230 V 1~
Current I _{max}	4,1 A
Ambient temperature t _A	75 °C
Conveyed medium temperature t _M	80 °C
Speed Control	V
Motor protection	TAO
Insulation class motor	F
Weight	46,0 kg
Number of poles	2
IP motor	IP54
IP terminal box	-
IP complete unit	-
Min. operating temperature	-25 °C



Anschlussmaß innen
min. \varnothing 240
Connection size inside
min. \varnothing 240



ruck^{eu}
VENTILATOREN
ruck Ventilatoren
Max-Planck-Str. 5
D-97944 Boxberg



Protection Mark
according to ISO16016
Created s.pop
Drawn s.pop
Released d.hancu
Disabled

1:10 A4 mm

General tolerances
DIN ISO 2768-c

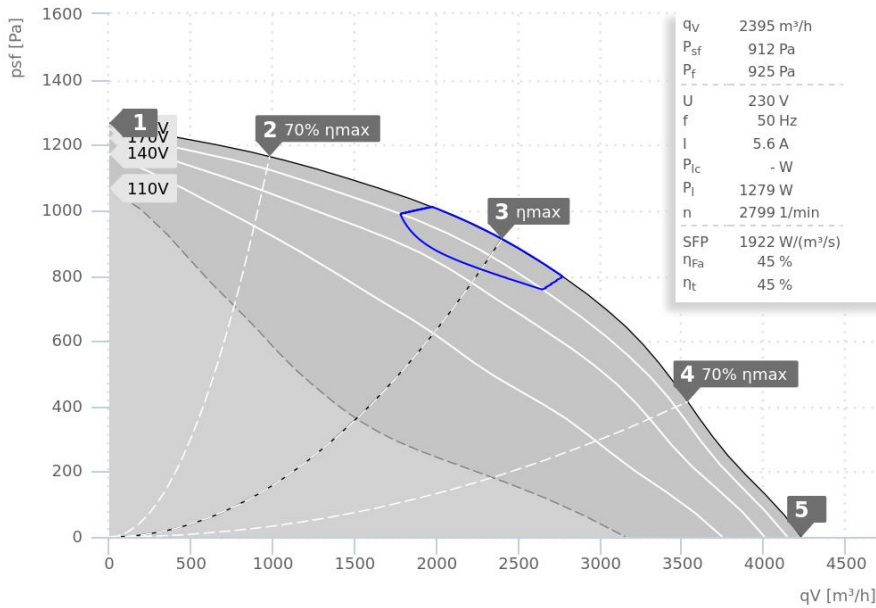
MPC280E2T20+

126681 03

VENTAS
VENTILATOREN

DATA SHEET

MPC 315 E2 T21 | 136829



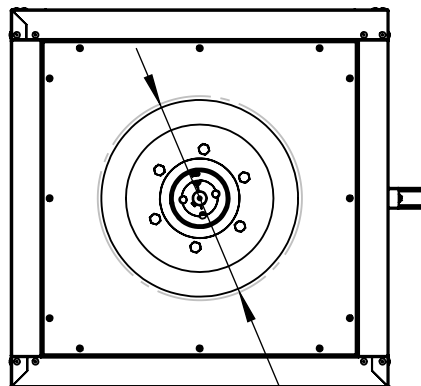
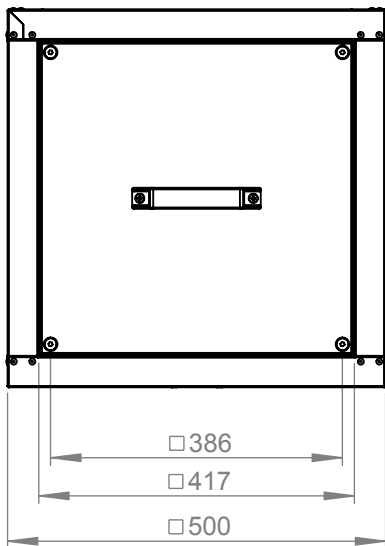
- Motor outside of air stream
- Galvanized sheet steel double wall casing
- Speed controllable
- Bottom pan with drain
- 30 mm insulation

— ErP compliant range

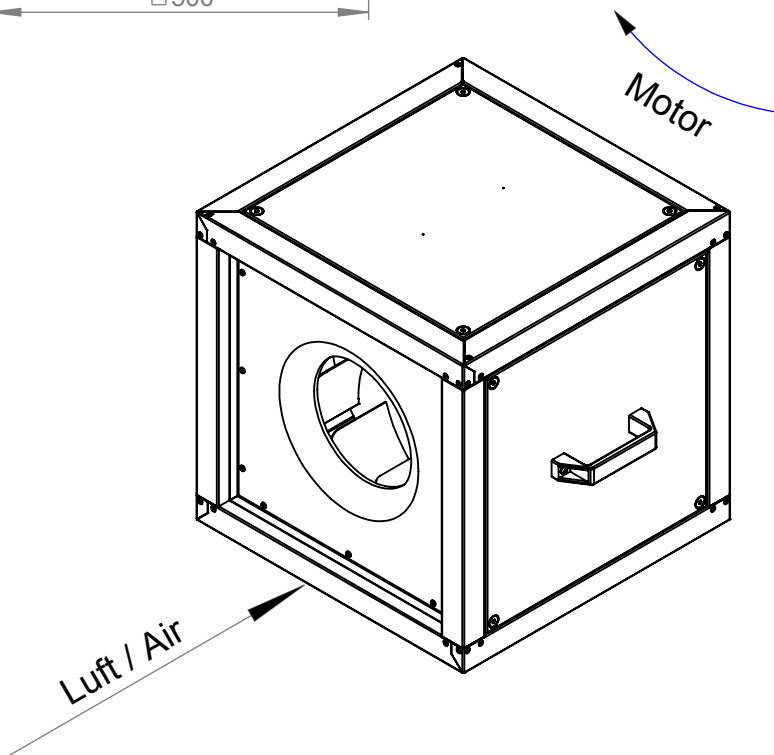
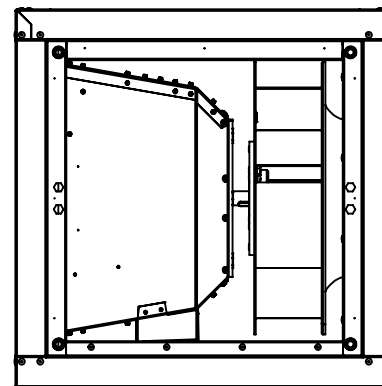
Operating Point		1	2	3	4	5
Current I	A	2,9	4,2	5,6	5,3	4,6
Power consumption P _i	W	616	962	1280	1219	1040
Rotation speed n	1/min	2922	2862	2800	2820	2860
SWL inlet L _{WA5}	dB(A)	85	85	83	86	89
SWL outlet L _{WA6}	dB(A)	88	88	85	89	91
SWL housing break out L _{WA2}	dB(A)	77	78	74	76	78

Sound power (L _W) dB(A)		Medium Frequency Band								
		Σ	63	125	250	500	1k	2k	4k	8k
Inlet	L _{WA5}	83	50	59	74	77	76	77	76	69
Outlet	L _{WA6}	85	51	63	79	77	79	78	75	68
Housing radiation	L _{WA2}	74	52	61	66	66	67	68	65	60

MPC 315 E2 T21 136829	
Voltage U _N	230 V 1~
Current I _{max}	7,6 A
Ambient temperature t _A	50 °C
Conveyed medium temperature t _M	80 °C
Speed Control	V
Motor protection	TAO
Insulation class motor	F
Weight	41,3 kg
Number of poles	2
IP motor	IP54
IP terminal box	-
IP complete unit	-
Min. operating temperature	-25 °C



Anschlussmaß innen
min. $\varnothing 270$
Connection size inside
min. $\varnothing 270$



ruck Ventilatoren
Max-Planck-Str. 5
D-97944 Boxberg



Protection Mark
according to ISO16016

Created s.pop
Drawn s.pop
Released d.hancu
Disabled

1:10 A4 mm

General tolerances
DIN ISO 2768-c

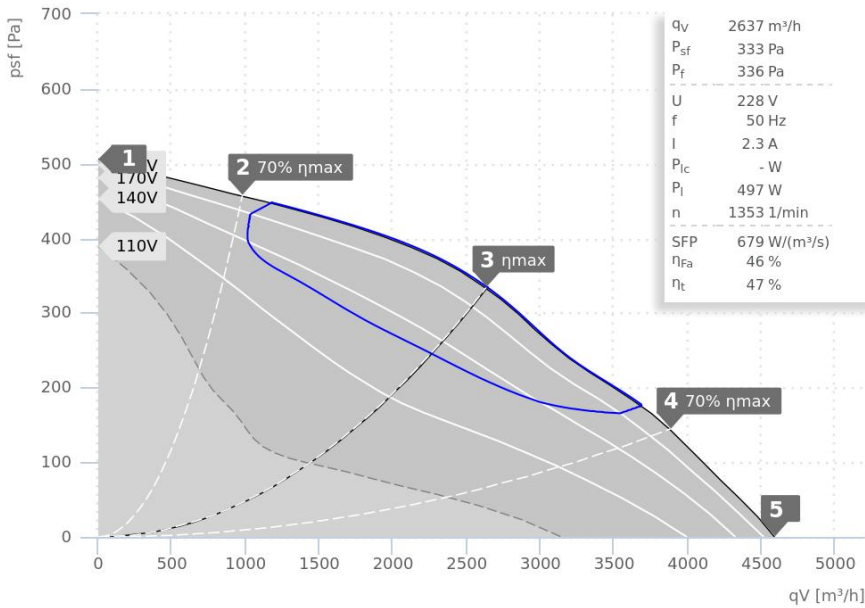
MPC315E2T21+

136829 02



DATA SHEET

MPC 400 E4 T21 | 136887



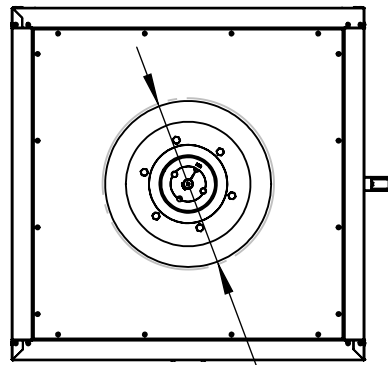
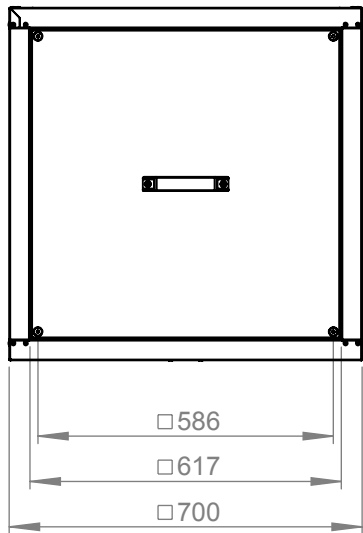
- Motor outside of air stream
- Galvanized sheet steel double wall casing
- Speed controllable
- Bottom pan with drain
- 30 mm insulation

— ErP compliant range

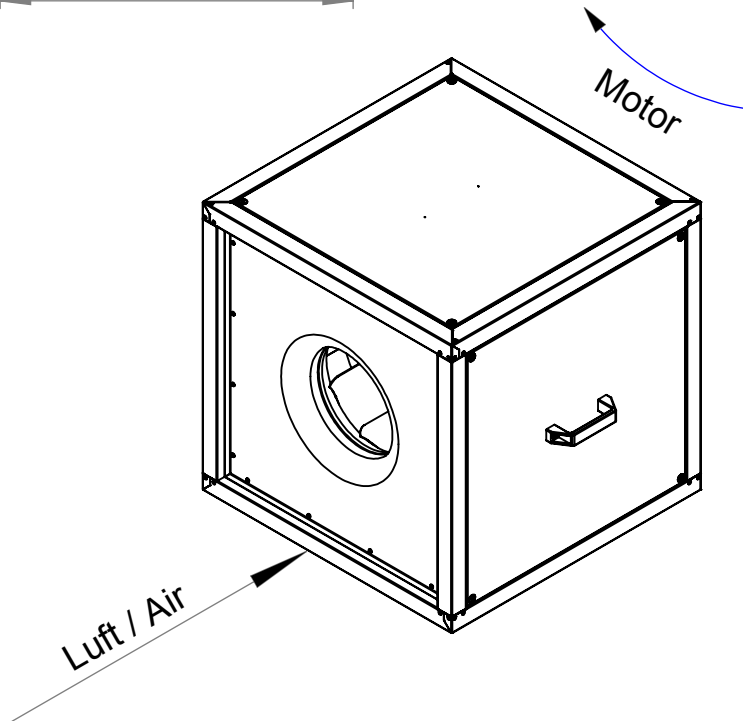
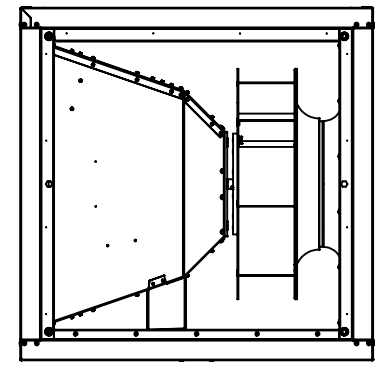
Operating Point		1	2	3	4	5
Current I	A	1,3	1,8	2,3	2,1	1,8
Power consumption P _i	W	245	366	500	447	371
Rotation speed n	1/min	1446	1404	1356	1382	1410
SWL inlet L _{WA5}	dB(A)	72	72	71	76	79
SWL outlet L _{WA6}	dB(A)	76	75	74	77	81
SWL housing break out L _{WA2}	dB(A)	65	65	63	65	67

Sound power (L _W) dB(A)		Medium Frequency Band								
		Σ	63	125	250	500	1k	2k	4k	8k
Inlet	L _{WA5}	71	40	63	63	66	64	62	58	54
Outlet	L _{WA6}	74	40	61	61	67	70	66	61	58
Housing radiation	L _{WA2}	63	40	60	51	57	56	51	50	43

MPC 400 E4 T21 136887	
Voltage U _N	230 V 1~
Current I _{max}	2,8 A
Ambient temperature t _A	80 °C
Conveyed medium temperature t _M	80 °C
Speed Control	V
Motor protection	TAO
Insulation class motor	F
Weight	59,0 kg
Number of poles	4
IP motor	IP54
IP terminal box	-
IP complete unit	-
Min. operating temperature	-25 °C



Anschlussmaß innen
min. \varnothing 340
Connection size inside
min. \varnothing 340



ruck^{eu}
VENTILATOREN
ruck Ventilatoren
Max-Planck-Str. 5
D-97944 Boxberg



Protection Mark
according to ISO16016

Created s.pop
Drawn s.pop
Released d.hancu
Disabled

1:15 A4 mm

General tolerances
DIN ISO 2768-c

29.08.2017
29.08.2017
17.07.2018

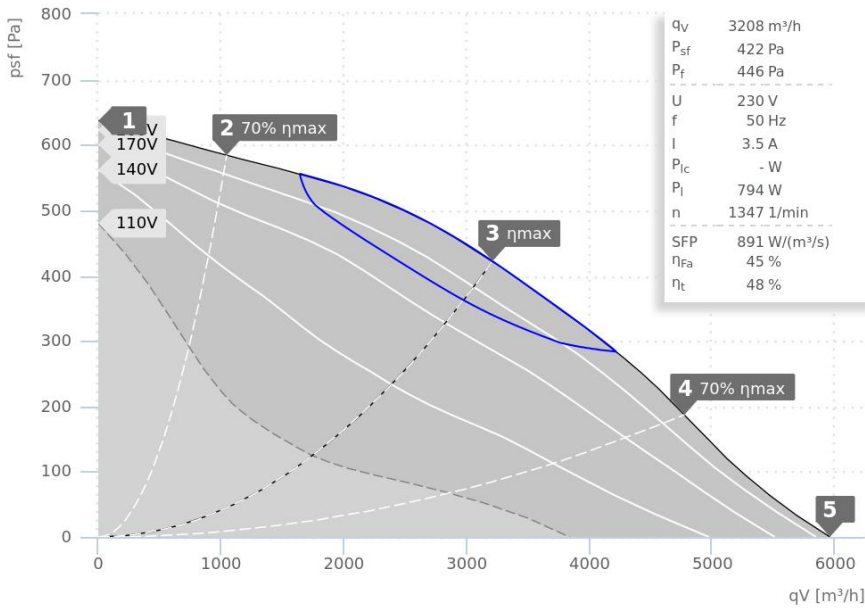
MPC400E4T21+

136887 02

VENTAS
VENTILATORER

DATA SHEET

MPC 450 E4 T20 | 126624



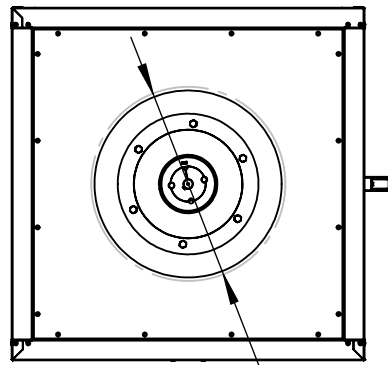
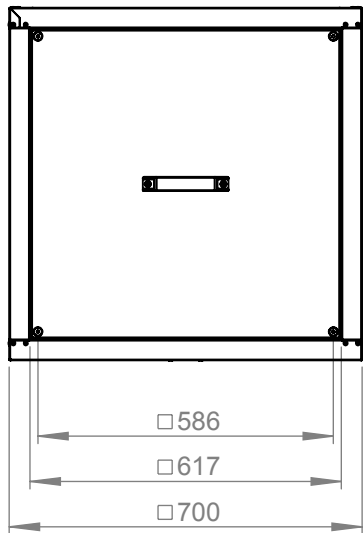
- Motor outside of air stream
- Galvanized sheet steel double wall casing
- Speed controllable
- Bottom pan with drain
- 30 mm insulation

— ErP compliant range

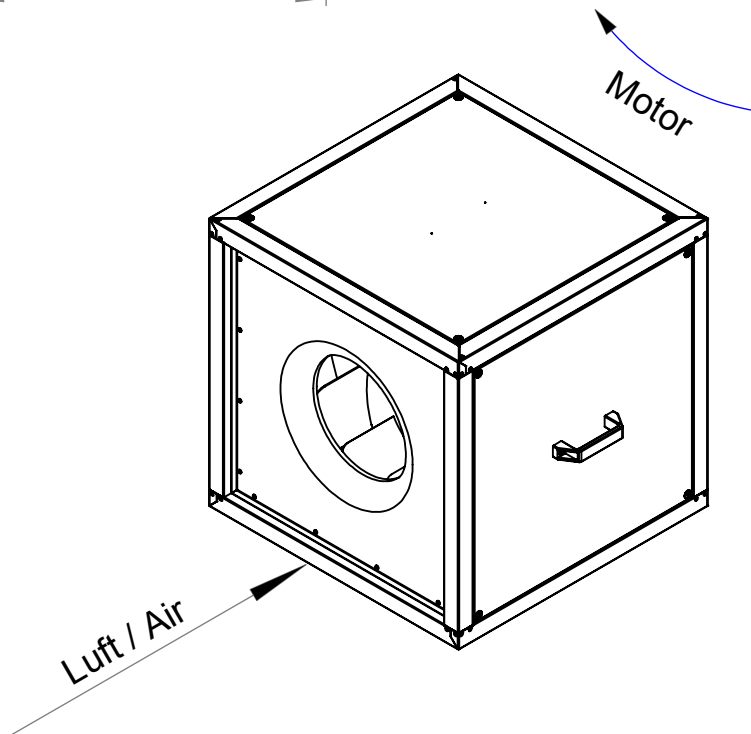
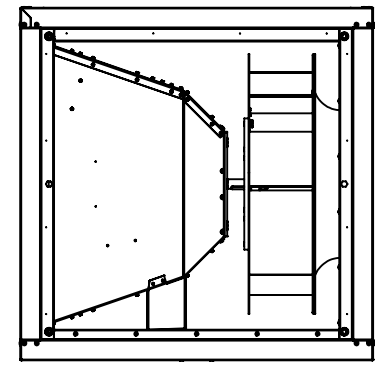
Operating Point		1	2	3	4	5
Current I	A	1,7	2,3	3,5	3,2	2,8
Power consumption P _i	W	375	516	794	729	630
Rotation speed n	1/min	1445	1412	1348	1368	1395
SWL inlet L _{WA5}	dB(A)	76	76	76	80	83
SWL outlet L _{WA6}	dB(A)	80	79	79	82	86
SWL housing break out L _{WA2}	dB(A)	70	70	70	72	74

Sound power (L _W) dB(A)		Medium Frequency Band								
		Σ	63	125	250	500	1k	2k	4k	8k
Inlet	L _{WA5}	76	46	69	67	71	70	67	62	61
Outlet	L _{WA6}	79	47	68	68	74	75	71	66	57
Housing radiation	L _{WA2}	70	53	63	60	64	64	60	56	58

MPC 450 E4 T20 126624	
Voltage U _N	230 V 1~
Current I _{max}	4,5 A
Ambient temperature t _A	65 °C
Conveyed medium temperature t _M	65 °C
Speed Control	V
Motor protection	TAO
Insulation class motor	F
Weight	73,0 kg
Number of poles	4
IP motor	IP54
IP terminal box	IP54
IP complete unit	IPX4
Min. operating temperature	-25 °C



Anschlussmaß innen
min. \varnothing 385
Connection size inside
min. \varnothing 385



ruck^{eu}
VENTILATOREN
ruck Ventilatoren
Max-Planck-Str. 5
D-97944 Boxberg



Protection Mark
according to ISO16016
Created s.pop
Drawn s.pop
Released d.hancu
Disabled

1:15 A4 mm

General tolerances
DIN ISO 2768-c

31.08.2017

31.08.2017

17.07.2018

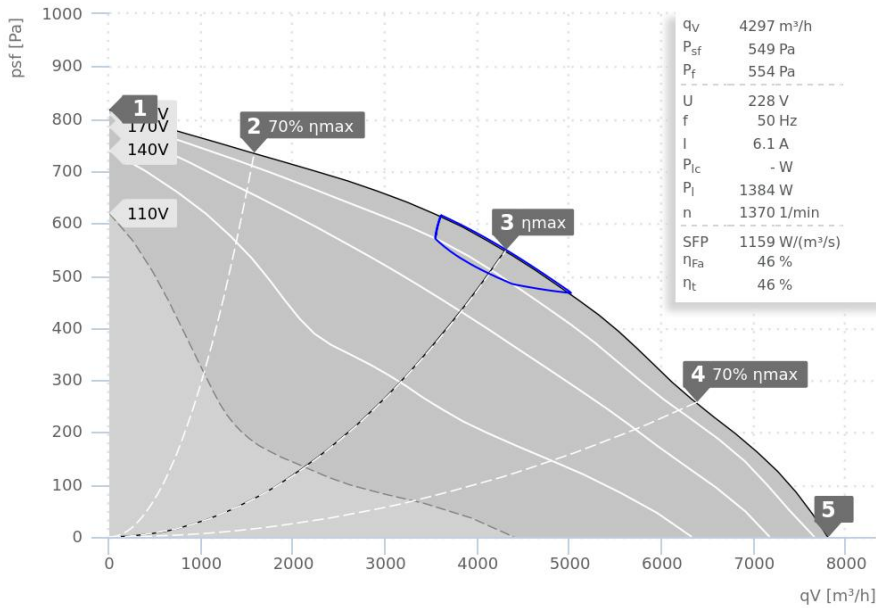
MPC450E4T20+

126624 03

VENTAS
VENTILATORER

DATA SHEET

MPC 500 E4 T22 | 141186



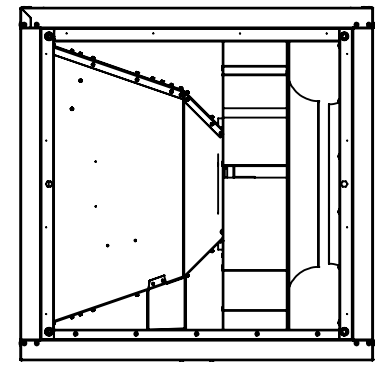
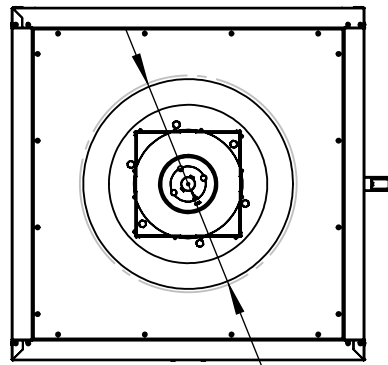
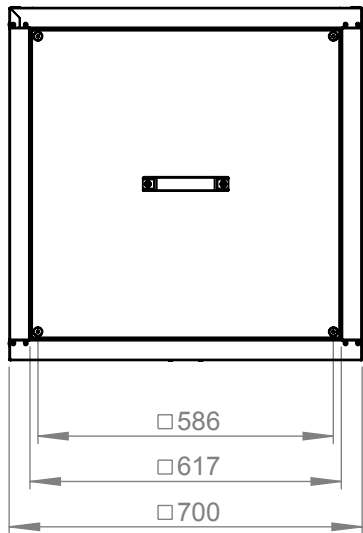
- Motor outside of air stream
- Galvanized sheet steel double wall casing
- Speed controllable
- Bottom pan with drain
- 30 mm insulation

— ErP compliant range

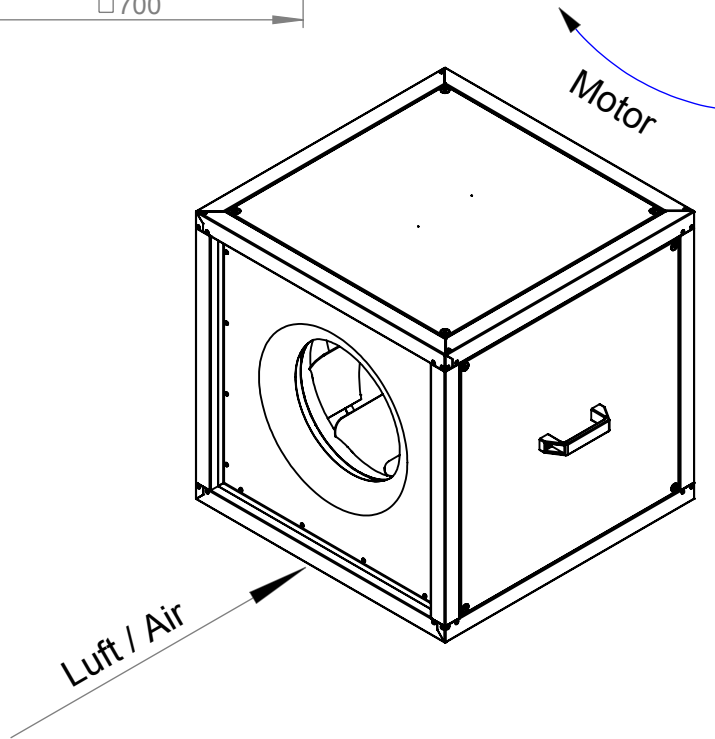
Operating Point		1	2	3	4	5
Current I	A	3,2	4,4	6,1	6,0	5,3
Power consumption P _i	W	642	986	1391	1371	1218
Rotation speed n	1/min	1449	1422	1373	1381	1400
SWL inlet L _{WA5}	dB(A)	80	81	80	83	85
SWL outlet L _{WA6}	dB(A)	84	85	84	87	89
SWL housing break out L _{WA2}	dB(A)	72	73	71	74	77

Sound power (L _w) dB(A)		Medium Frequency Band								
		Σ	63	125	250	500	1k	2k	4k	8k
Inlet	L _{WA5}	80	49	69	71	74	74	73	69	61
Outlet	L _{WA6}	84	50	73	72	78	78	76	72	63
Housing radiation	L _{WA2}	71	53	66	63	64	60	58	59	54

MPC 500 E4 T22 141186	
Voltage U _N	230 V 1~
Current I _{max}	7,9 A
Ambient temperature t _A	40 °C
Conveyed medium temperature t _M	80 °C
Speed Control	V
Motor protection	TAO
Insulation class motor	F
Weight	80,8 kg
Number of poles	4
IP motor	IP54
IP terminal box	-
IP complete unit	-
Min. operating temperature	-25 °C



Anschlussmaß innen
min. \varnothing 430
Connection size inside
min. \varnothing 430



ruck^{eu}
VENTILATOREN
ruck Ventilatoren
Max-Planck-Str. 5
D-97944 Boxberg



Protection Mark
according to ISO16016
Created s.pop
Drawn s.pop
Released d.hancu
Disabled

1:15 A4 mm

General tolerances
DIN ISO 2768-c

05.09.2017
05.09.2017
17.07.2018

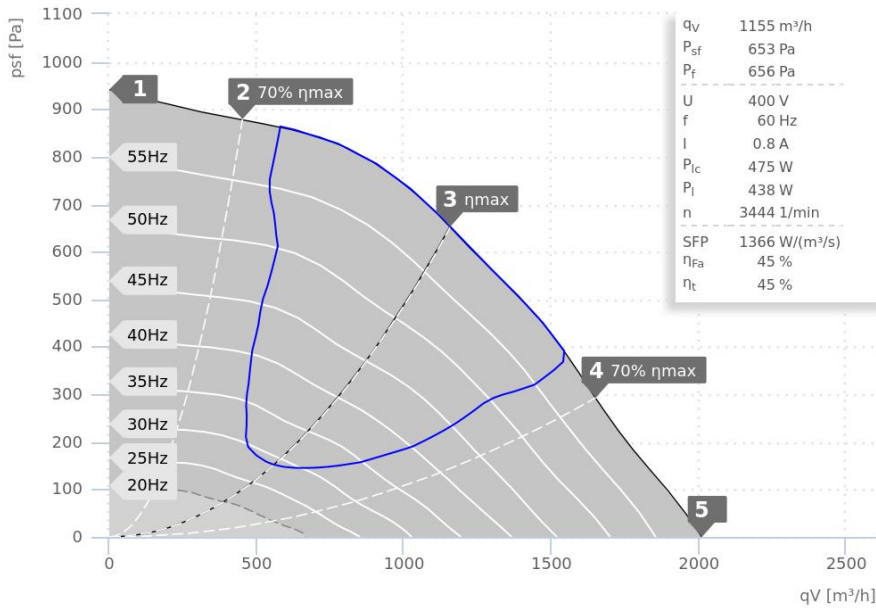
MPC500E4T22+

141186 00

VENTAS
VENTILATORER

DATA SHEET

MPC 225 D2 T40 | 157206



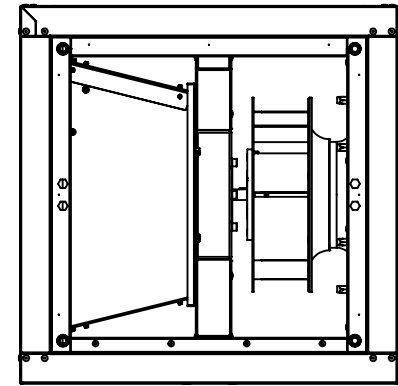
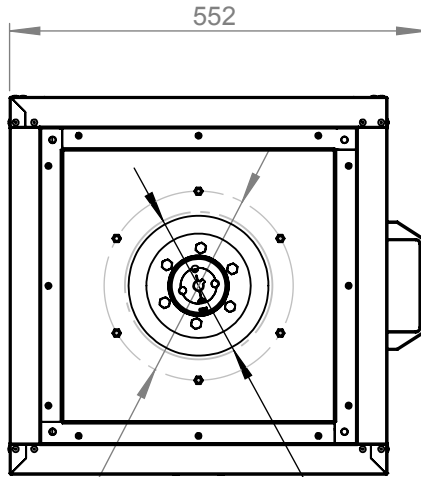
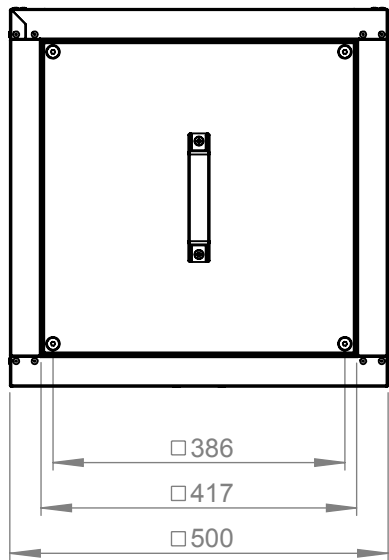
- Motor outside of air stream
- Galvanized sheet steel double wall casing
- Speed controllable
- Bottom pan with drain
- 30 mm insulation
- Star-Delta operation possible
- Star: direct 400V 3~ grid or frequency converter with 400V output
- Delta: direct 230V 3~ grid or frequency converter with 230V 1~ input and 230V 3~ output

— ErP compliant range

Operating Point		1	2	3	4	5
Current I	A	0,6	0,7	0,8	0,8	0,7
Power consumption P_1	W	230	336	439	400	347
Rotation speed n	1/min	3521	3479	3446	3460	3488
SWL inlet L_{WA5}	dB(A)	81	80	80	84	85
SWL outlet L_{WA6}	dB(A)	83	82	83	87	88
SWL housing break out L_{WA2}	dB(A)	75	74	73	74	75

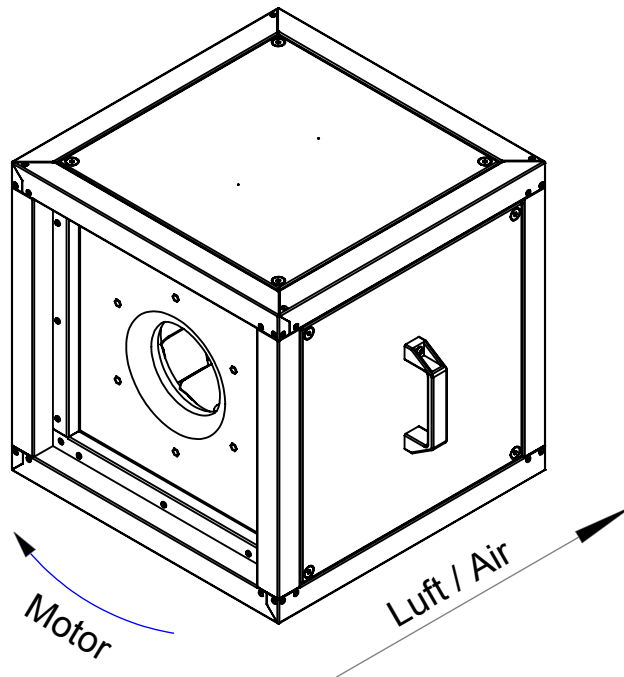
Sound power (L_W) dB(A)		Medium Frequency Band								
		Σ	63	125	250	500	1k	2k	4k	8k
Inlet	L_{WA5}	80	52	63	67	73	77	73	70	63
Outlet	L_{WA6}	83	47	66	70	77	78	78	71	63
Housing radiation	L_{WA2}	73	49	61	58	65	68	69	63	56

MPC 225 D2 T40 157206	
Voltage U_N	400 V 3~
Current I_{max}	0,9 A
Ambient temperature t_A	60 °C
Conveyed medium temperature t_M	120 °C
Speed Control	f
Motor protection	-
Insulation class motor	F
Weight	35,2 kg
Number of poles	2
IP motor	IP55
IP terminal box	-
IP complete unit	-
Min. operating temperature	-20 °C

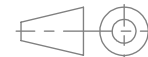


6xM6
LK \varnothing 250

Anschlussmaß innen min. \varnothing 195
Connection size inside min. \varnothing 195



ruck^{eu}
VENTILATOREN
ruck Ventilatoren
Max-Planck-Str. 5
D-97944 Boxberg



Protection Mark
according to ISO 16016
Created s.pop
Drawn s.pop
Released s.pop
Disabled

1:10 A4 mm

General tolerances
DIN ISO 2768-c

MPC225D2T40

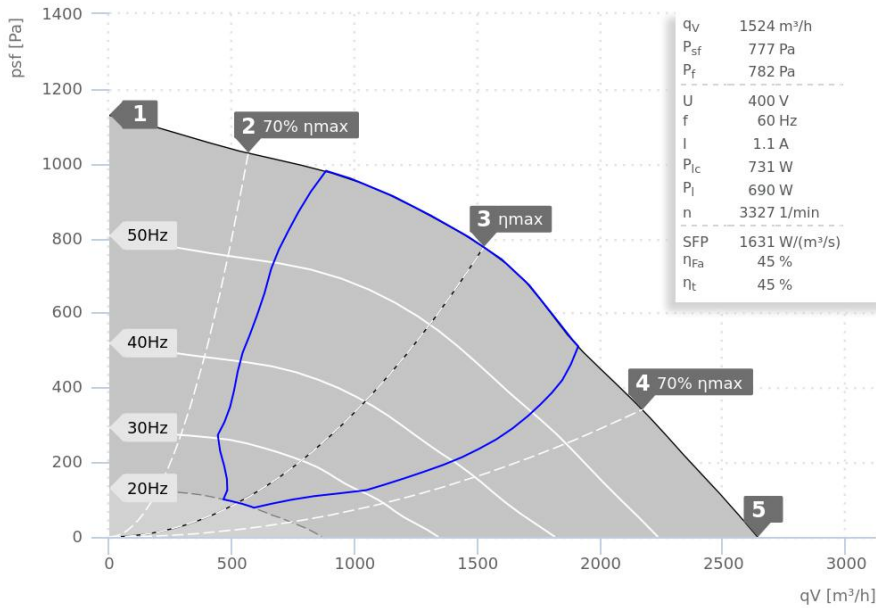
157206 00



DATA SHEET

ruck.eu
VENTILATOREN

MPC 250 D2 T40 | 157209



— ErP compliant range

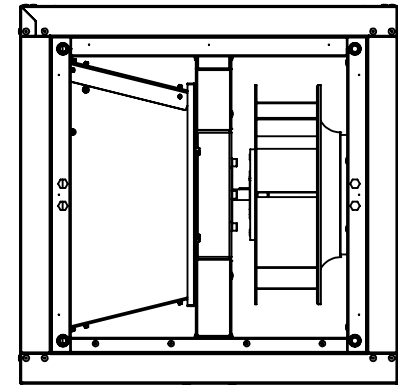
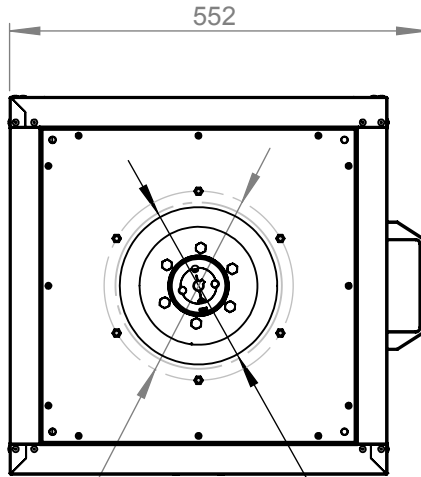
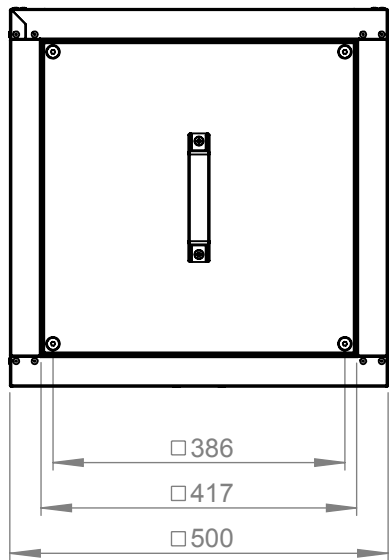


- Motor outside of air stream
- Galvanized sheet steel double wall casing
- Speed controllable
- Bottom pan with drain
- 30 mm insulation
- Star-Delta operation possible
- Star: direct 400V 3~ grid or frequency converter with 400V output
- Delta: direct 230V 3~ grid or frequency converter with 230V 1~ input and 230V 3~ output

Operating Point		1	2	3	4	5
Current I	A	0,6	0,9	1,1	1,0	0,9
Power consumption P _i	W	308	505	692	612	505
Rotation speed n	1/min	3485	3401	3329	3370	3422
SWL inlet L _{WA5}	dB(A)	82	81	82	87	88
SWL outlet L _{WA6}	dB(A)	85	84	84	88	89
SWL housing break out L _{WA2}	dB(A)	76	75	73	74	75

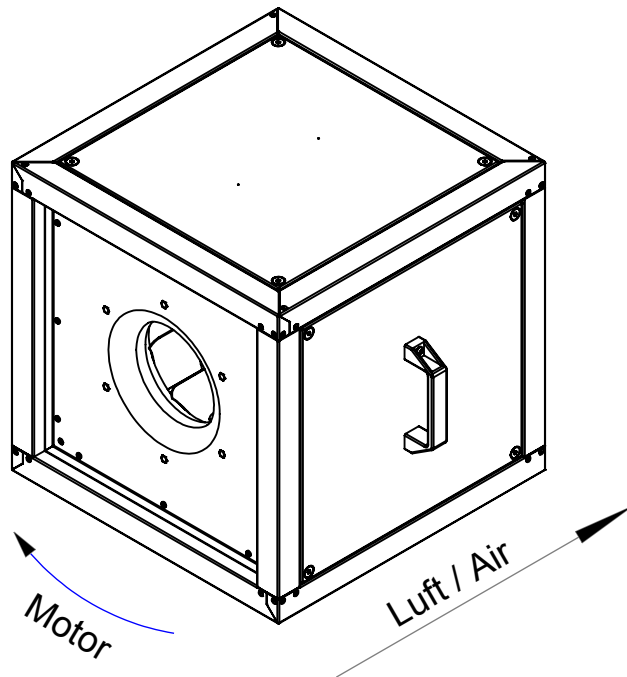
Sound power (L _W) dB(A)		Medium Frequency Band								
		Σ	63	125	250	500	1k	2k	4k	8k
Inlet	L _{WA5}	82	51	64	69	76	78	73	69	62
Outlet	L _{WA6}	84	52	68	73	79	79	78	71	63
Housing radiation	L _{WA2}	73	56	62	59	65	68	68	63	55

MPC 250 D2 T40 157209	
Voltage U _N	400 V 3~
Current I _{max}	1,2 A
Ambient temperature t _A	60 °C
Conveyed medium temperature t _M	120 °C
Speed Control	f
Motor protection	-
Insulation class motor	F
Weight	35,0 kg
Number of poles	2
IP motor	IP55
IP terminal box	-
IP complete unit	-
Min. operating temperature	-20 °C

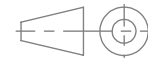


6xM6
LK ϕ 250

Anschlussmaß innen min. ϕ 220
Connection size inside min. ϕ 220



ruck^{eu}
VENTILATOREN
ruck Ventilatoren
Max-Planck-Str. 5
D-97944 Boxberg



Protection Mark
according to ISO16016

Created s.pop
Drawn s.pop
Released s.pop
Disabled

1:10 A4 mm

General tolerances
DIN ISO 2768-c

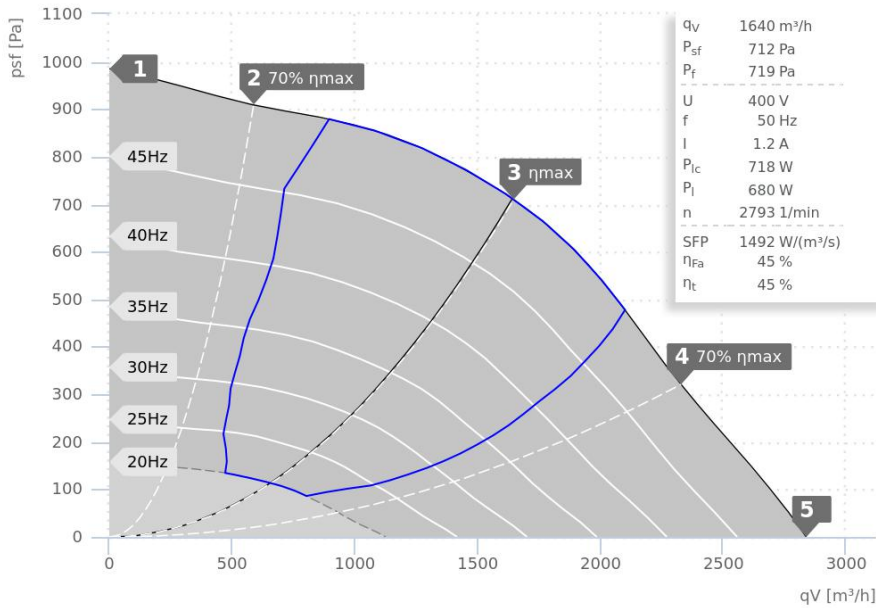
MPC250D2T40

157209 00

VENTAS
VENTILATORER

DATA SHEET

MPC 280 D2 T40 | 157214



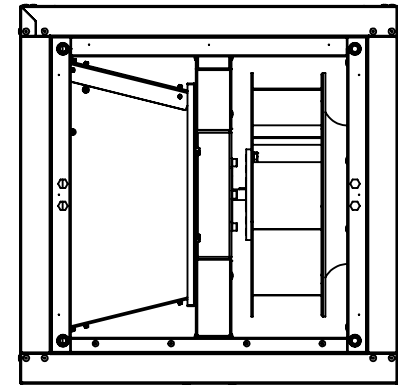
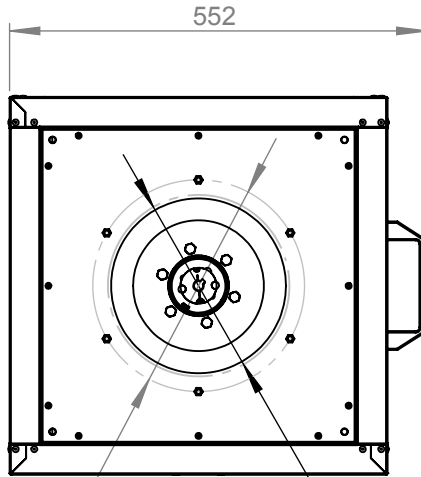
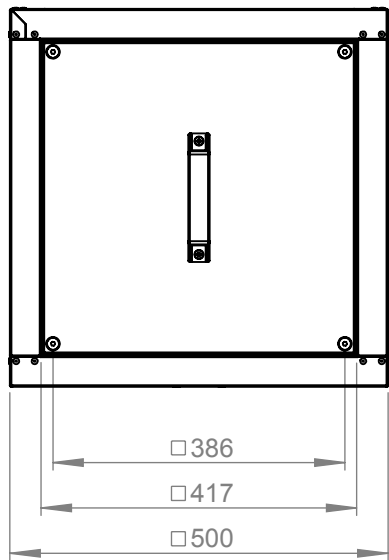
- Motor outside of air stream
- Galvanized sheet steel double wall casing
- Speed controllable
- Bottom pan with drain
- 30 mm insulation
- Star-Delta operation possible
- Star: direct 400V 3~ grid or frequency converter with 400V output
- Delta: direct 230V 3~ grid or frequency converter with 230V 1~ input and 230V 3~ output

— ErP compliant range

Operating Point		1	2	3	4	5
Current I	A	0,8	0,9	1,2	1,1	1,0
Power consumption P _i	W	295	453	681	619	534
Rotation speed n	1/min	2916	2865	2794	2821	2856
SWL inlet L _{WA5}	dB(A)	82	81	82	86	88
SWL outlet L _{WA6}	dB(A)	84	84	85	89	91
SWL housing break out L _{WA2}	dB(A)	74	74	73	74	77

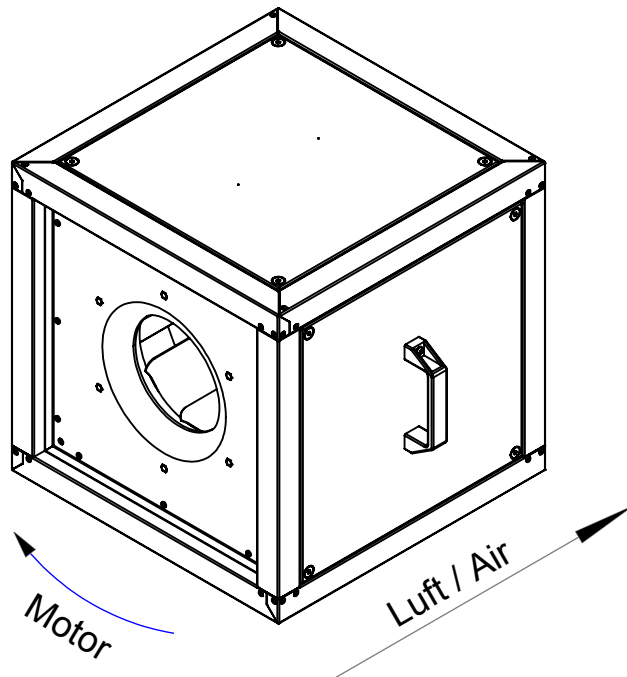
Sound power (L _W) dB(A)		Medium Frequency Band								
		Σ	63	125	250	500	1k	2k	4k	8k
Inlet	L _{WA5}	81	50	66	73	77	74	74	70	68
Outlet	L _{WA6}	85	54	68	77	78	80	78	70	65
Housing radiation	L _{WA2}	73	51	62	65	62	69	65	60	54

MPC 280 D2 T40 157214	
Voltage U _N	400 V 3~
Current I _{max}	1,3 A
Ambient temperature t _A	60 °C
Conveyed medium temperature t _M	120 °C
Speed Control	f
Motor protection	-
Insulation class motor	F
Weight	36,0 kg
Number of poles	2
IP motor	IP55
IP terminal box	-
IP complete unit	-
Min. operating temperature	-20 °C

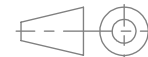


6xM6
LK \varnothing 280

Anschlussmaß innen min. \varnothing 240
Connection size inside min. \varnothing 240



ruck^{eu}
VENTILATOREN
ruck Ventilatoren
Max-Planck-Str. 5
D-97944 Boxberg



Protection Mark
according to ISO 16016
Created s.pop
Drawn s.pop
Released s.pop
Disabled

1:10 A4 mm

General tolerances
DIN ISO 2768-c

MPC280D2T40

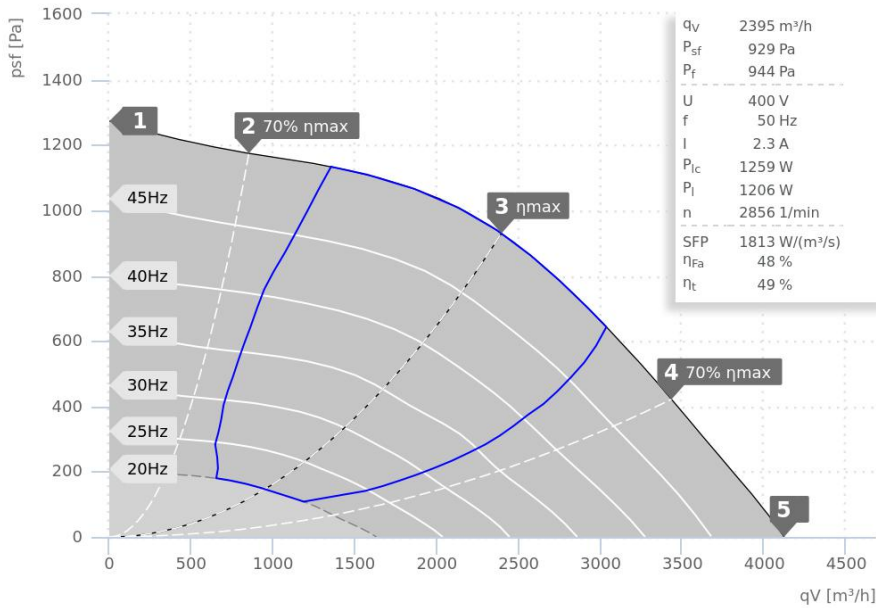
157214 00



DATA SHEET

ruck.eu
VENTILATOREN

MPC 315 D2 T40 | 157218



— ErP compliant range

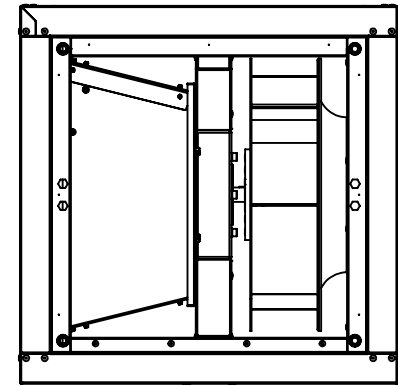
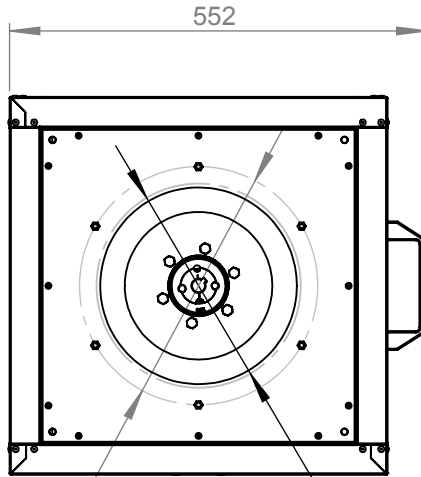
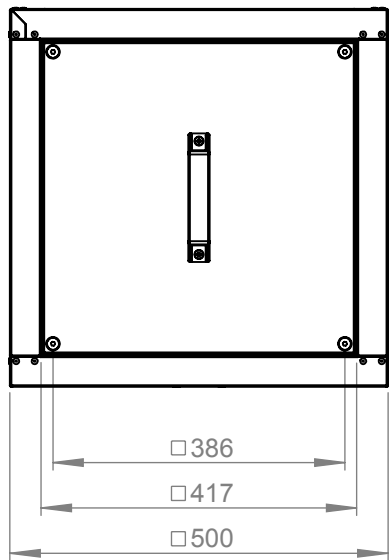


- Motor outside of air stream
- Galvanized sheet steel double wall casing
- Speed controllable
- Bottom pan with drain
- 30 mm insulation
- Star-Delta operation possible
- Star: direct 400V 3~ grid or frequency converter with 400V output
- Delta: direct 230V 3~ grid or frequency converter with 230V 1~ input and 230V 3~ output

Operating Point		1	2	3	4	5
Current I	A	1,6	1,9	2,3	2,2	2,0
Power consumption P_1	W	470	790	1206	1117	939
Rotation speed n	1/min	2945	2907	2856	2872	2900
SWL inlet L_{WA5}	dB(A)	86	85	85	89	90
SWL outlet L_{WA6}	dB(A)	89	88	88	92	93
SWL housing break out L_{WA2}	dB(A)	77	76	75	78	79

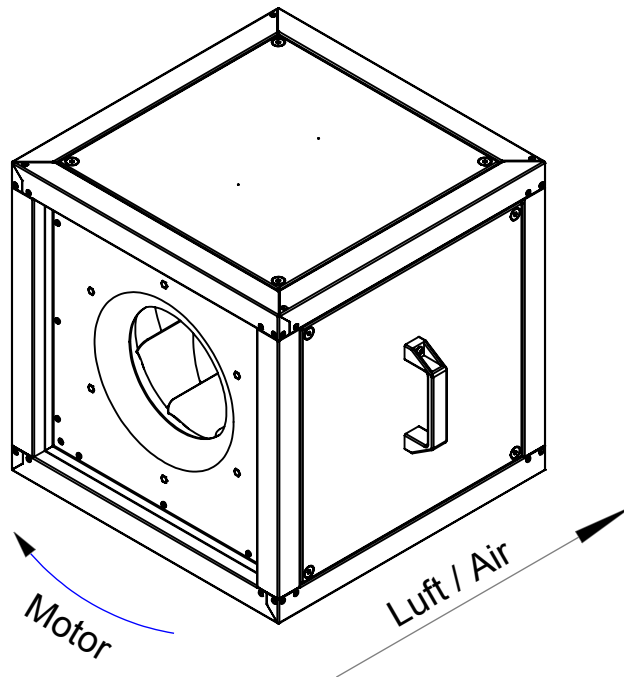
Sound power (L_W) dB(A)		Medium Frequency Band								
		Σ	63	125	250	500	1k	2k	4k	8k
Inlet	L_{WA5}	85	51	67	77	80	78	78	76	71
Outlet	L_{WA6}	88	56	66	82	81	83	82	78	73
Housing radiation	L_{WA2}	75	55	63	69	66	68	68	64	58

MPC 315 D2 T40 157218	
Voltage U_N	400 V 3~
Current I_{max}	2,5 A
Ambient temperature t_A	60 °C
Conveyed medium temperature t_M	120 °C
Speed Control	f
Motor protection	-
Insulation class motor	F
Weight	41,0 kg
Number of poles	2
IP motor	IP55
IP terminal box	-
IP complete unit	-
Min. operating temperature	-20 °C

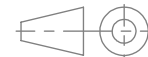


6xM6
LK $\varnothing 315$

Anschlussmaß innen min. $\varnothing 270$
Connection size inside min. $\varnothing 270$



ruck^{eu}
VENTILATOREN
ruck Ventilatoren
Max-Planck-Str. 5
D-97944 Boxberg



Protection Mark
according to ISO16016

Created s.pop
Drawn s.pop
Released s.pop
Disabled

1:10 A4 mm

General tolerances
DIN ISO 2768-c

04.03.2021
04.03.2021
05.03.2021

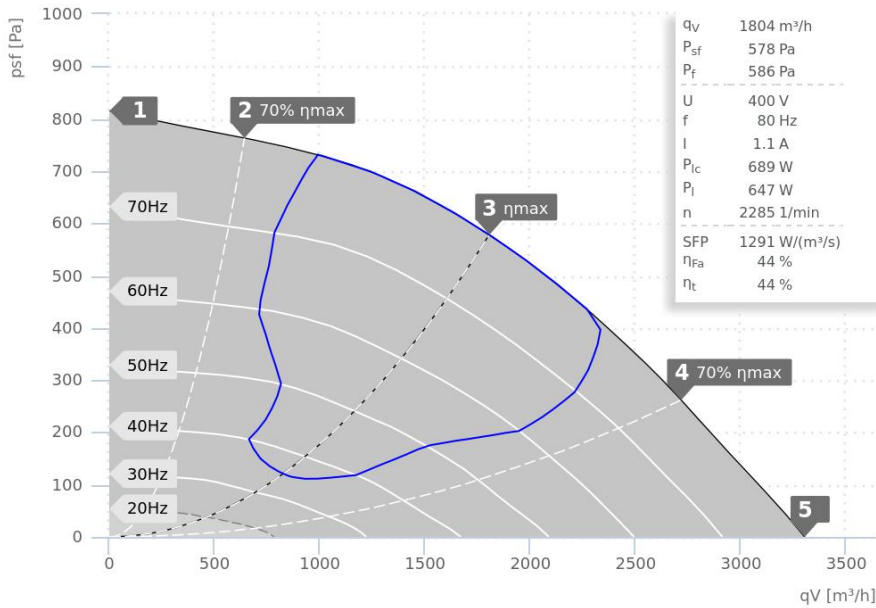
MPC315D2T40

157218 00

VENTAS
VENTILATORER

DATA SHEET

MPC 315 D4 T40 | 157224



— ErP compliant range

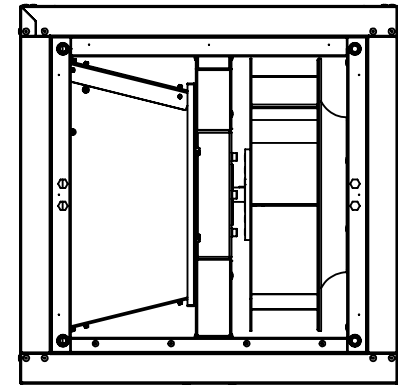
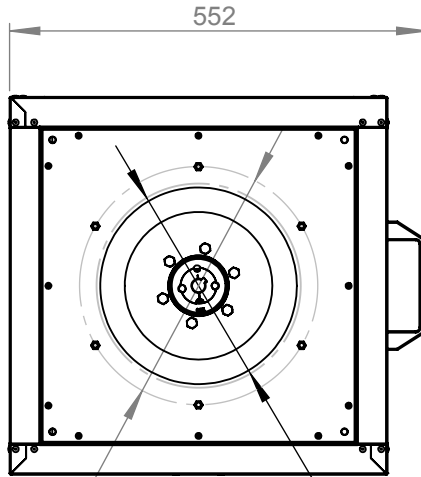
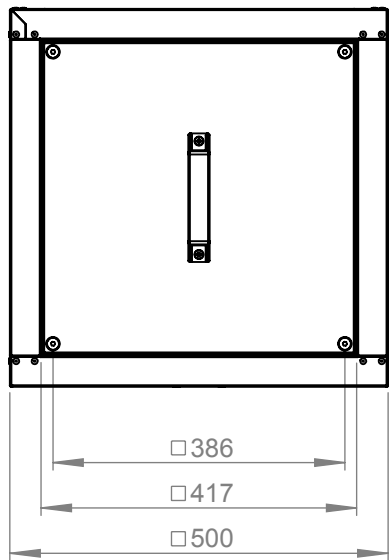


- Motor outside of air stream
- Galvanized sheet steel double wall casing
- Speed controllable
- Bottom pan with drain
- 30 mm insulation
- Star-Delta operation possible
- Star: direct 400V 3~ grid or frequency converter with 400V output
- Delta: direct 230V 3~ grid or frequency converter with 230V 1~ input and 230V 3~ output

Operating Point		1	2	3	4	5
Current I	A	0,5	0,8	1,1	1,0	0,9
Power consumption P_1	W	266	438	647	627	517
Rotation speed n	1/min	2352	2326	2285	2292	2316
SWL inlet L_{WA5}	dB(A)	79	79	78	82	83
SWL outlet L_{WA6}	dB(A)	82	82	81	85	86
SWL housing break out L_{WA2}	dB(A)	69	69	68	69	70

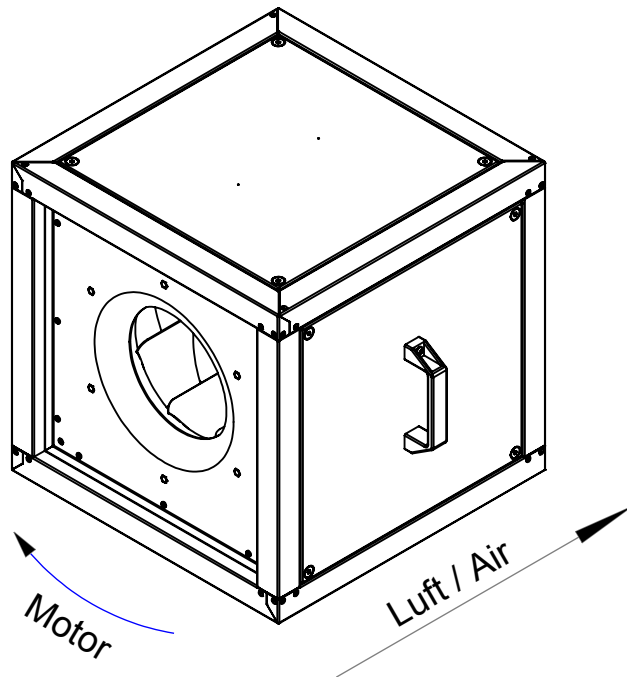
Sound power (L_W) dB(A)		Medium Frequency Band								
		Σ	63	125	250	500	1k	2k	4k	8k
Inlet	L_{WA5}	78	48	59	70	73	70	71	68	64
Outlet	L_{WA6}	81	48	60	74	74	76	75	70	64
Housing radiation	L_{WA2}	68	51	58	59	60	58	64	54	49

MPC 315 D4 T40 157224	
Voltage U_N	400 V 3~
Current I_{max}	1,1 A
Ambient temperature t_A	60 °C
Conveyed medium temperature t_M	120 °C
Speed Control	f
Motor protection	-
Insulation class motor	F
Weight	40,0 kg
Number of poles	4
IP motor	IP55
IP terminal box	-
IP complete unit	-
Min. operating temperature	-20 °C



6xM6
LK \varnothing 315

Anschlussmaß innen min. \varnothing 270
Connection size inside min. \varnothing 270



ruck^{eu}
VENTILATOREN
ruck Ventilatoren
Max-Planck-Str. 5
D-97944 Boxberg



Protection Mark
according to ISO16016

Created s.pop
Drawn s.pop
Released s.pop
Disabled

1:10 A4 mm

General tolerances
DIN ISO 2768-c

05.03.2021
05.03.2021
05.03.2021

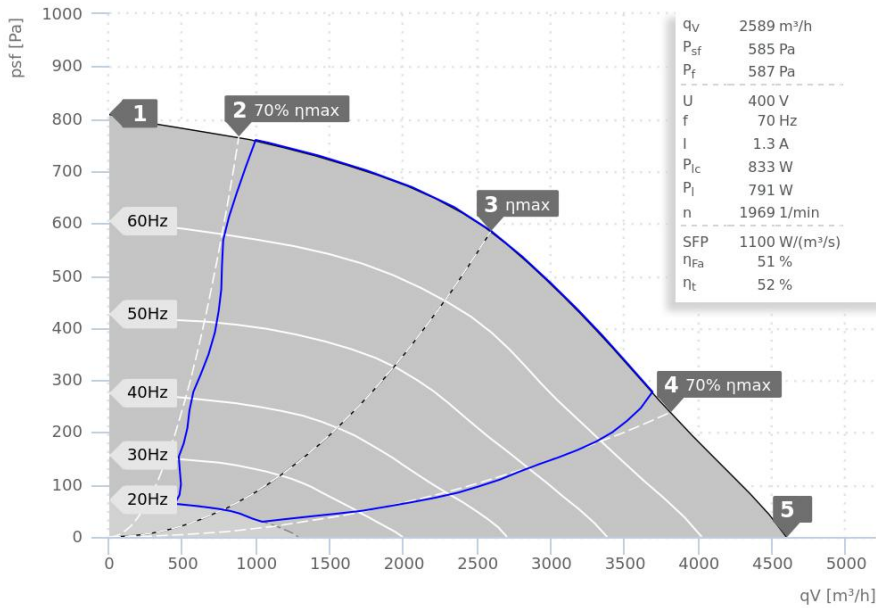
MPC315D4T40

157224 00

VENTAS
VENTILATORER

DATA SHEET

MPC 355 D4 T40 | 157226



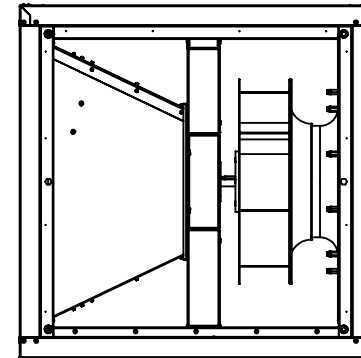
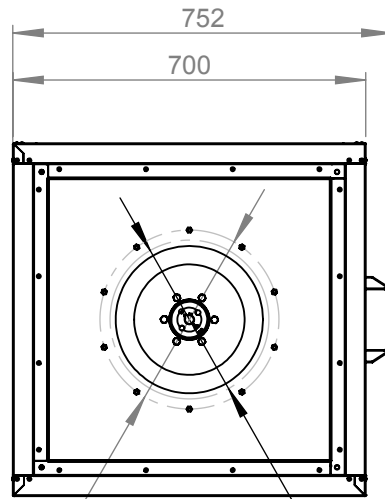
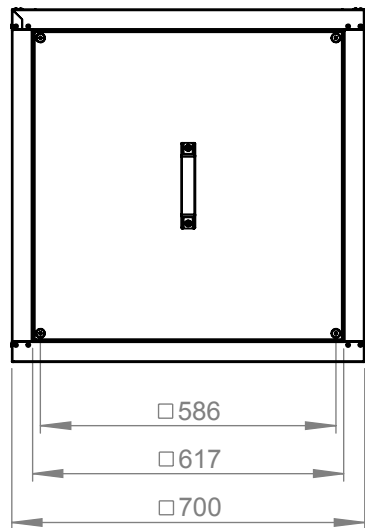
- Motor outside of air stream
- Galvanized sheet steel double wall casing
- Speed controllable
- Bottom pan with drain
- 30 mm insulation
- Star-Delta operation possible
- Star: direct 400V 3~ grid or frequency converter with 400V output
- Delta: direct 230V 3~ grid or frequency converter with 230V 1~ input and 230V 3~ output

— ErP compliant range

Operating Point		1	2	3	4	5
Current I	A	0,6	0,9	1,3	1,1	1,0
Power consumption P _i	W	306	511	794	672	571
Rotation speed n	1/min	2052	2022	1972	2000	2018
SWL inlet L _{WA5}	dB(A)	79	79	79	83	86
SWL outlet L _{WA6}	dB(A)	84	83	84	86	89
SWL housing break out L _{WA2}	dB(A)	77	76	76	78	80

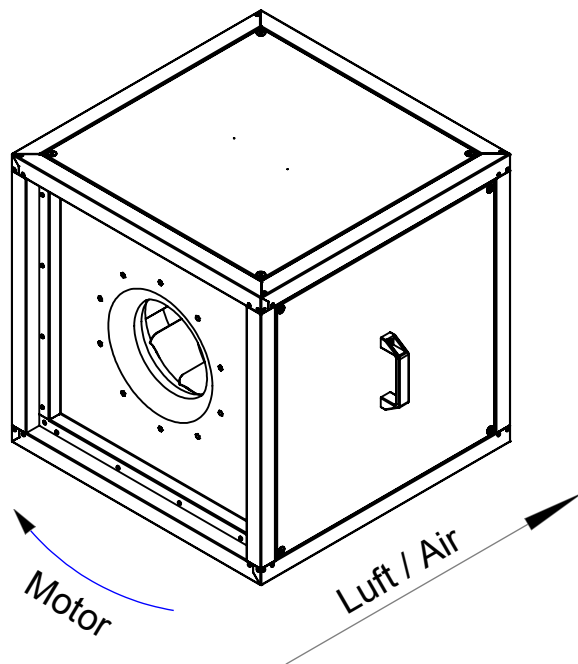
Sound power (L _W) dB(A)		Medium Frequency Band								
		Σ	63	125	250	500	1k	2k	4k	8k
Inlet	L _{WA5}	79	43	56	69	76	70	71	68	63
Outlet	L _{WA6}	84	45	58	72	80	78	75	72	70
Housing radiation	L _{WA2}	76	43	54	57	76	64	65	56	53

MPC 355 D4 T40 157226	
Voltage U _N	400 V 3~
Current I _{max}	1,4 A
Ambient temperature t _A	60 °C
Conveyed medium temperature t _M	120 °C
Speed Control	f
Motor protection	-
Insulation class motor	F
Weight	63,0 kg
Number of poles	4
IP motor	IP55
IP terminal box	-
IP complete unit	-
Min. operating temperature	-20 °C



10xM6
LK \varnothing 355

Anschlussmaß innen min. \varnothing 315
Connection size inside min. \varnothing 315



1:15 A4 mm

Protection Mark
according to ISO 16016

General tolerances
DIN ISO 2768-c

MPC355D4T40

ruck^{eu}
VENTILATOREN
ruck Ventilatoren
Max-Planck-Str. 5
D-97944 Boxberg

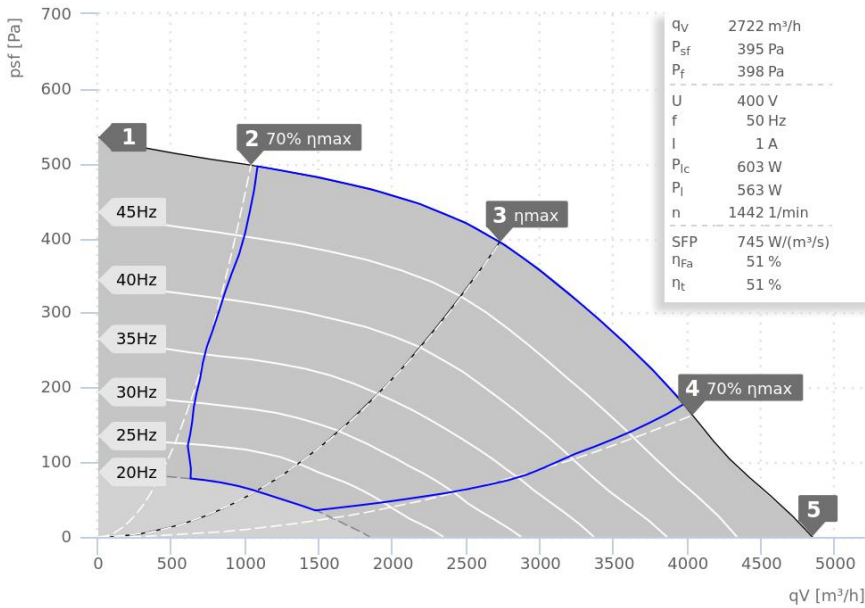
Created	s.pop	05.03.2021
Drawn	s.pop	05.03.2021
Released	s.pop	05.03.2021
Disabled		

157226 00



DATA SHEET

MPC 400 D4 T40 | 157231



— ErP compliant range

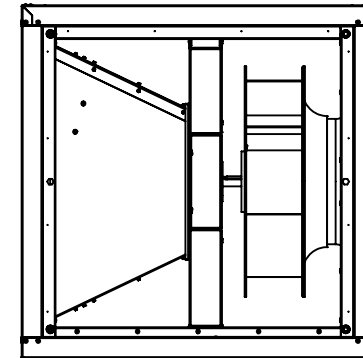
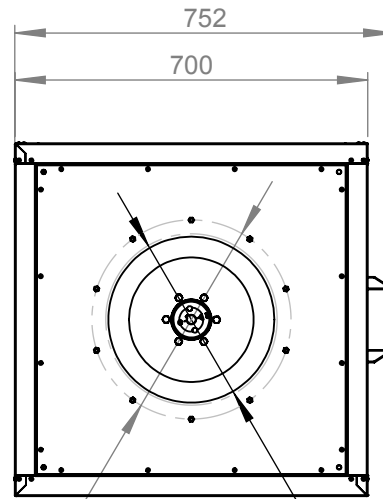
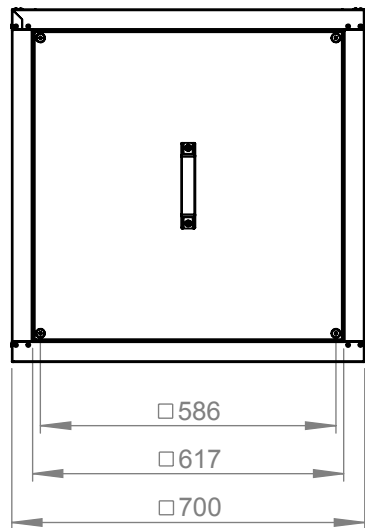


- Motor outside of air stream
- Galvanized sheet steel double wall casing
- Speed controllable
- Bottom pan with drain
- 30 mm insulation
- Star-Delta operation possible
- Star: direct 400V 3~ grid or frequency converter with 400V output
- Delta: direct 230V 3~ grid or frequency converter with 230V 1~ input and 230V 3~ output

Operating Point		1	2	3	4	5
Current I	A	0,7	0,9	1,0	1,0	0,9
Power consumption P _I	W	236	391	564	488	403
Rotation speed n	1/min	1474	1461	1442	1451	1462
SWL inlet L _{WA5}	dB(A)	74	73	74	78	80
SWL outlet L _{WA6}	dB(A)	76	75	76	80	82
SWL housing break out L _{WA2}	dB(A)	69	69	69	69	70

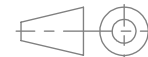
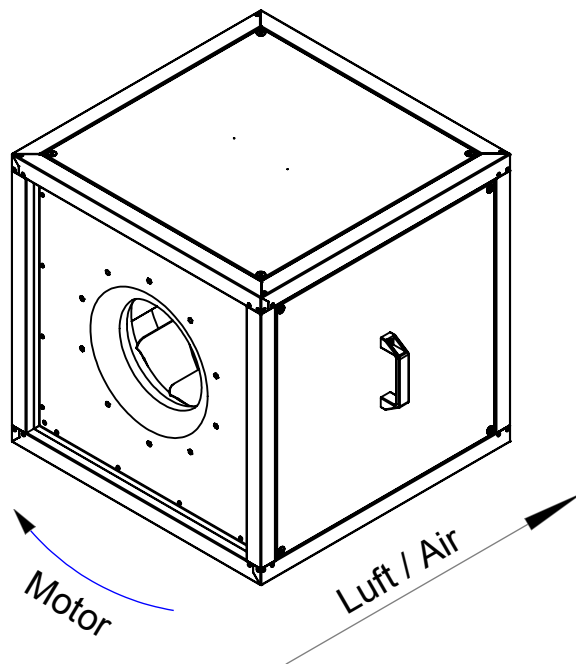
Sound power (L _W) dB(A)		Medium Frequency Band								
		Σ	63	125	250	500	1k	2k	4k	8k
Inlet	L _{WA5}	74	41	67	65	70	66	63	60	58
Outlet	L _{WA6}	76	41	65	66	70	71	67	62	57
Housing radiation	L _{WA2}	69	41	61	59	66	61	54	45	38

MPC 400 D4 T40 157231	
Voltage U _N	400 V 3~
Current I _{max}	1,1 A
Ambient temperature t _A	60 °C
Conveyed medium temperature t _M	120 °C
Speed Control	f
Motor protection	-
Insulation class motor	F
Weight	65,0 kg
Number of poles	4
IP motor	IP55
IP terminal box	-
IP complete unit	-
Min. operating temperature	-20 °C



10xM6
LK \varnothing 395

Anschlussmaß innen min. \varnothing 340
Connection size inside min. \varnothing 340



1:15 A4 mm

Protection Mark
according to ISO16016

General tolerances
DIN ISO 2768-c

MPC400D4T40

ruck^{eu}
VENTILATOREN
ruck Ventilatoren
Max-Planck-Str. 5
D-97944 Boxberg

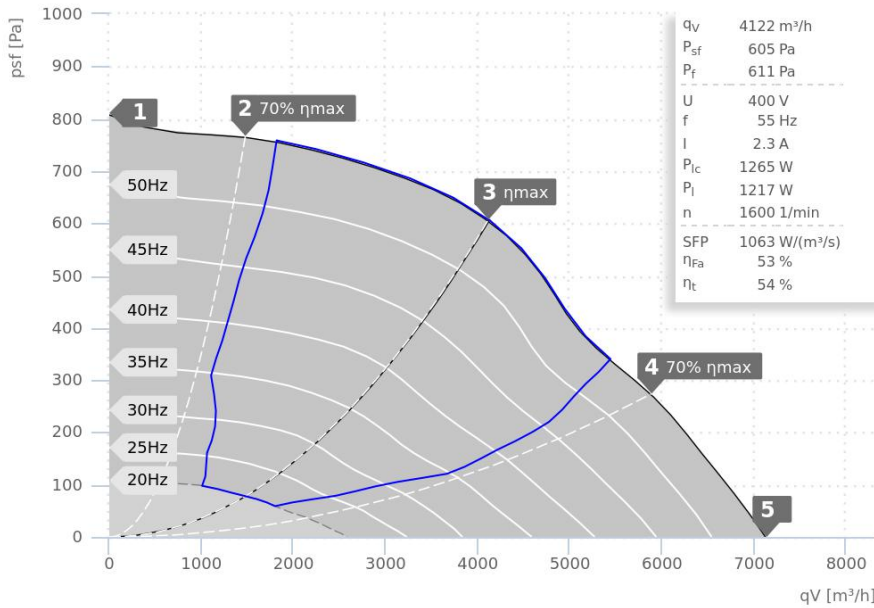
Created	s.pop	05.03.2021
Drawn	s.pop	05.03.2021
Released	s.pop	08.03.2021
Disabled		

157231 00



DATA SHEET

MPC 450 D4 T40 | 157232



— ErP compliant range

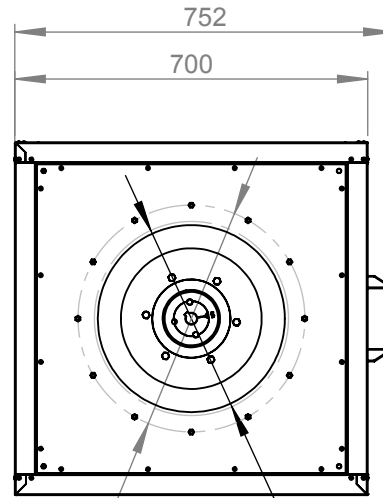
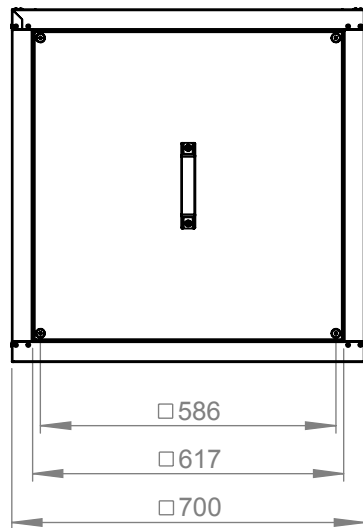


- Motor outside of air stream
- Galvanized sheet steel double wall casing
- Speed controllable
- Bottom pan with drain
- 30 mm insulation
- Star-Delta operation possible
- Star: direct 400V 3~ grid or frequency converter with 400V output
- Delta: direct 230V 3~ grid or frequency converter with 230V 1~ input and 230V 3~ output

Operating Point		1	2	3	4	5
Current I	A	1,5	1,8	2,3	2,2	2,0
Power consumption P_i	W	469	802	1224	1118	903
Rotation speed n	1/min	1629	1619	1604	1610	1617
SWL inlet L_{WA5}	dB(A)	80	80	82	85	87
SWL outlet L_{WA6}	dB(A)	84	83	85	88	90
SWL housing break out L_{WA2}	dB(A)	72	72	73	76	77

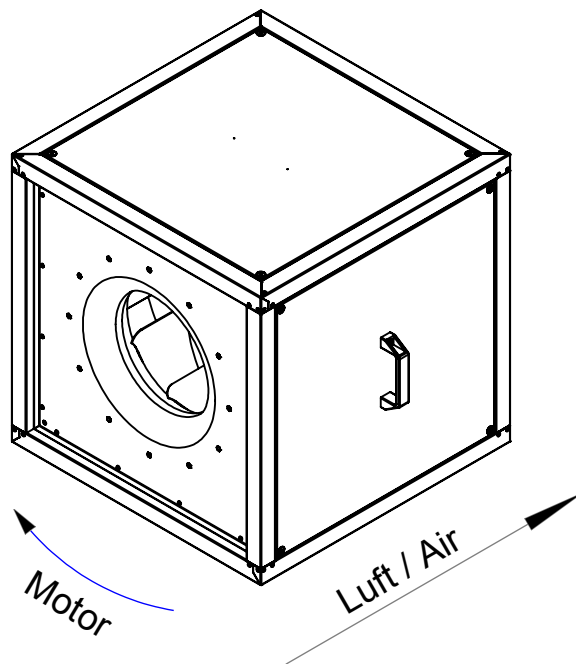
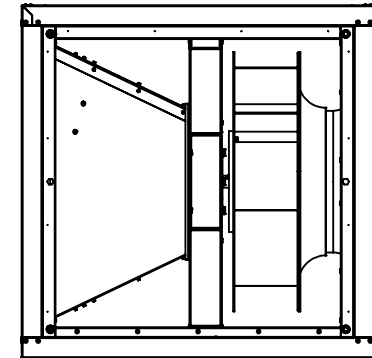
Sound power (L_W) dB(A)		Medium Frequency Band								
		Σ	63	125	250	500	1k	2k	4k	8k
Inlet	L_{WA5}	81	51	67	75	76	75	73	69	65
Outlet	L_{WA6}	85	51	67	77	79	80	76	72	64
Housing radiation	L_{WA2}	73	54	65	68	67	65	62	59	54

MPC 450 D4 T40 157232	
Voltage U_N	400 V 3~
Current I_{max}	2,5 A
Ambient temperature t_A	60 °C
Conveyed medium temperature t_M	120 °C
Speed Control	f
Motor protection	-
Insulation class motor	F
Weight	75,0 kg
Number of poles	4
IP motor	IP55
IP terminal box	-
IP complete unit	-
Min. operating temperature	-20 °C

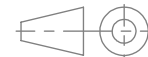


12xM6
LK Ø450

Anschlussmaß innen min. Ø 385
Connection size inside min. Ø 385



ruck^{eu}
VENTILATOREN
ruck Ventilatoren
Max-Planck-Str. 5
D-97944 Boxberg



Protection Mark
according to ISO16016

Created s.pop
Drawn s.pop
Released s.pop
Disabled

1:15 A4 mm

General tolerances
DIN ISO 2768-c

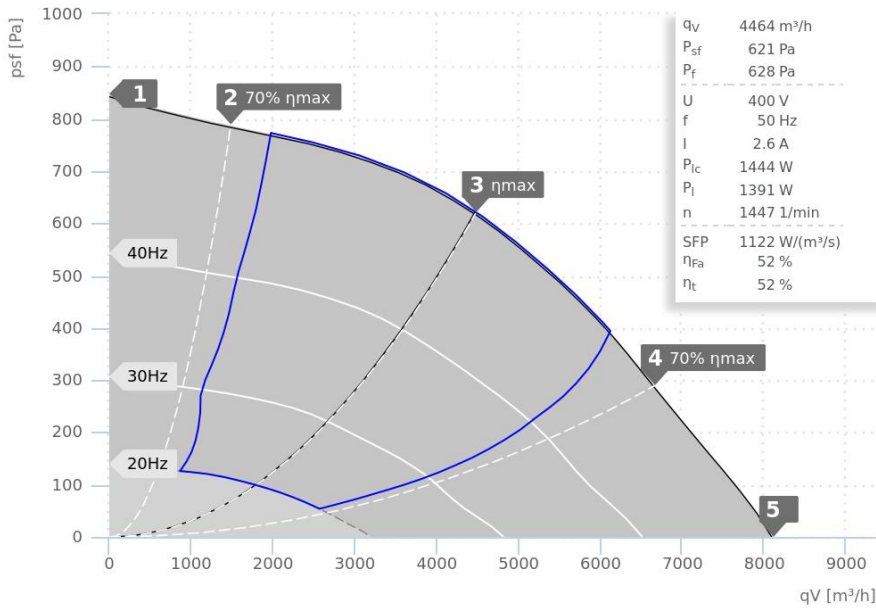
MPC450D4T40

157232 00

VENTAS
VENTILATORER

DATA SHEET

MPC 500 D4 T40 | 157233



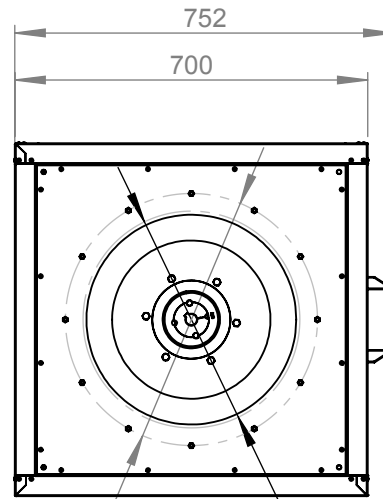
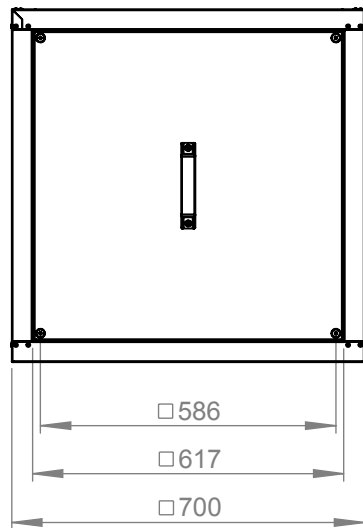
- Motor outside of air stream
- Galvanized sheet steel double wall casing
- Speed controllable
- Bottom pan with drain
- 30 mm insulation
- Star-Delta operation possible
- Star: direct 400V 3~ grid or frequency converter with 400V output
- Delta: direct 230V 3~ grid or frequency converter with 230V 1~ input and 230V 3~ output

— ErP compliant range

Operating Point		1	2	3	4	5
Current I	A	1,7	2,0	2,7	2,6	2,4
Power consumption P_1	W	512	843	1405	1375	1166
Rotation speed n	1/min	1478	1471	1452	1455	1462
SWL inlet L_{WA5}	dB(A)	84	85	86	88	90
SWL outlet L_{WA6}	dB(A)	84	86	86	88	90
SWL housing break out L_{WA2}	dB(A)	76	77	77	79	81

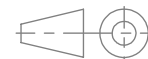
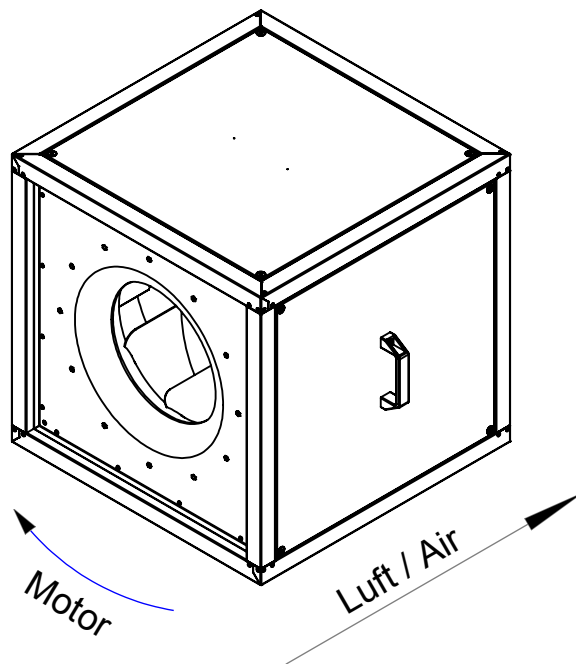
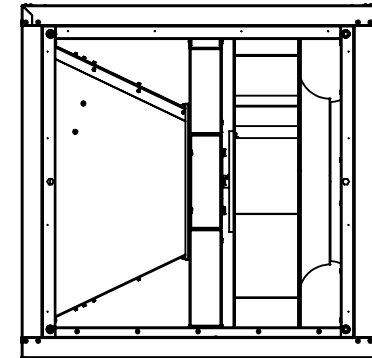
Sound power (L_W) dB(A)		Medium Frequency Band								
		Σ	63	125	250	500	1k	2k	4k	8k
Inlet	L_{WA5}	85	51	75	74	79	80	79	74	64
Outlet	L_{WA6}	86	52	76	75	80	81	79	74	65
Housing radiation	L_{WA2}	77	51	70	68	69	71	70	63	53

MPC 500 D4 T40 157233	
Voltage U_N	400 V 3~
Current I_{max}	2,9 A
Ambient temperature t_A	60 °C
Conveyed medium temperature t_M	120 °C
Speed Control	f
Motor protection	-
Insulation class motor	F
Weight	75,0 kg
Number of poles	4
IP motor	IP55
IP terminal box	-
IP complete unit	-
Min. operating temperature	-20 °C



12xM6
LK Ø 500

Anschlussmaß innen min. Ø 430
Connection size inside min. Ø 430



1:15 A4 mm

Protection Mark
according to ISO16016

General tolerances
DIN ISO 2768-c

MPC500D4T40

ruck^{eu}
VENTILATOREN

ruck Ventilatoren
Max-Planck-Str. 5
D-97944 Boxberg

Created s.pop
Drawn s.pop
Released s.pop
Disabled

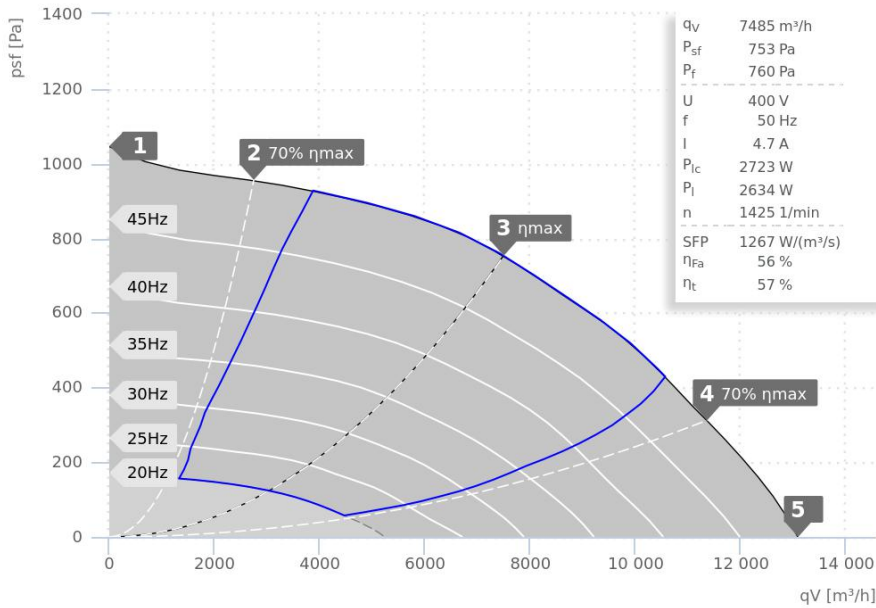
08.03.2021
08.03.2021
08.03.2021

157233 00

VENTAS
VENTILATOREN

DATA SHEET

MPC 560 D4 T40 | 157235



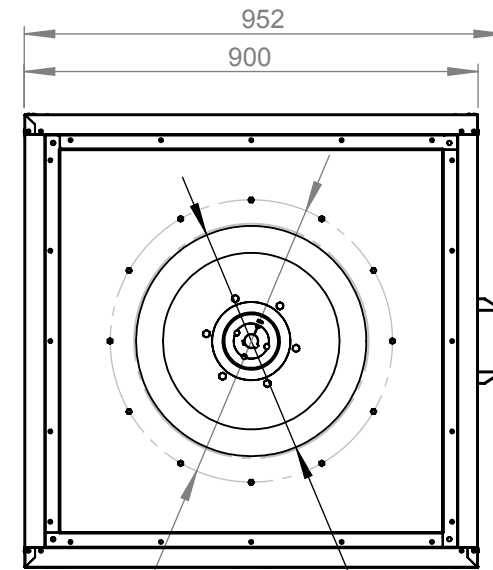
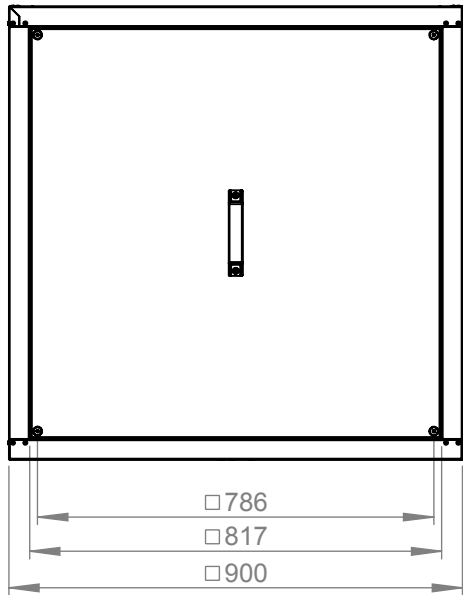
- Motor outside of air stream
- Galvanized sheet steel double wall casing
- Speed controllable
- Bottom pan with drain
- 30 mm insulation
- Star-Delta operation possible
- Star: direct 400V 3~ grid or frequency converter with 400V output
- Delta: direct 230V 3~ grid or frequency converter with 230V 1~ input and 230V 3~ output

— ErP compliant range

Operating Point		1	2	3	4	5
Current I	A	2,7	3,5	4,7	4,3	3,9
Power consumption P _i	W	1008	1771	2641	2311	2070
Rotation speed n	1/min	1463	1452	1426	1440	1446
SWL inlet L _{WA5}	dB(A)	83	84	86	90	91
SWL outlet L _{WA6}	dB(A)	87	88	88	91	93
SWL housing break out L _{WA2}	dB(A)	74	75	76	78	79

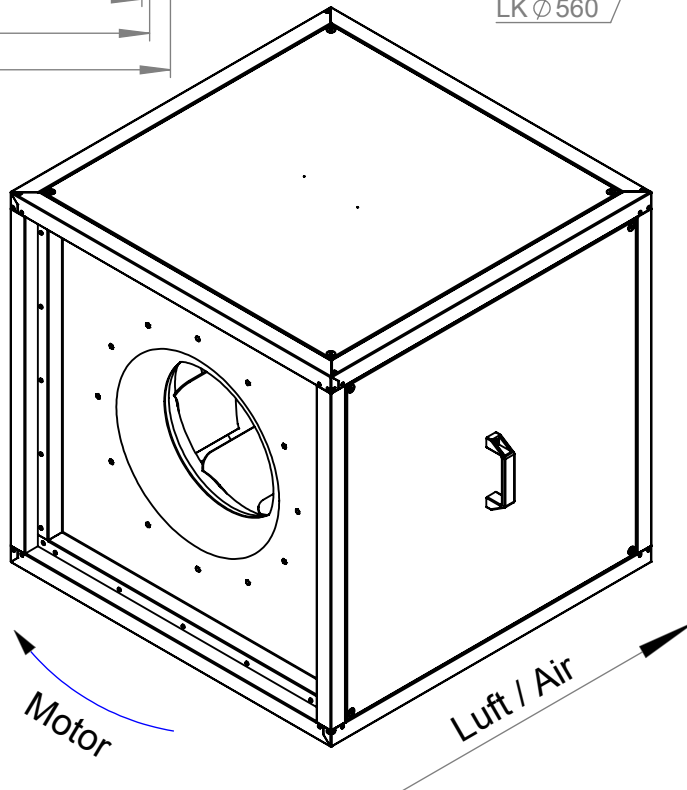
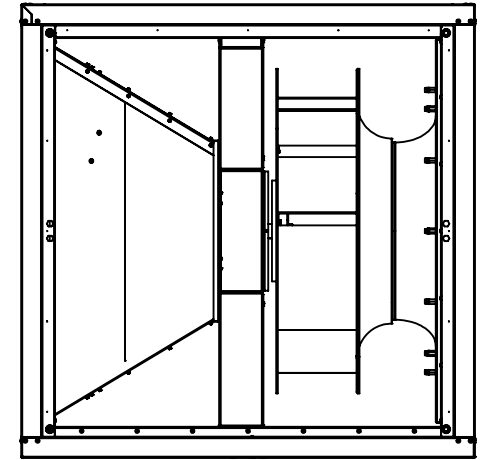
Sound power (L _W) dB(A)		Medium Frequency Band								
		Σ	63	125	250	500	1k	2k	4k	8k
Inlet	L _{WA5}	86	52	77	77	77	80	79	75	67
Outlet	L _{WA6}	88	49	77	78	82	83	81	77	68
Housing radiation	L _{WA2}	76	47	66	65	72	73	63	58	50

MPC 560 D4 T40 157235	
Voltage U _N	400 V 3~
Current I _{max}	5,0 A
Ambient temperature t _A	60 °C
Conveyed medium temperature t _M	120 °C
Speed Control	f
Motor protection	-
Insulation class motor	F
Weight	127,0 kg
Number of poles	4
IP motor	IP55
IP terminal box	-
IP complete unit	-
Min. operating temperature	-20 °C

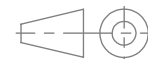


12xM6
LK Ø 560

Anschlussmaß innen min. Ø 465
Connection size inside min. Ø 465



ruck^{eu}
VENTILATOREN
ruck Ventilatoren
Max-Planck-Str. 5
D-97944 Boxberg



Protection Mark
according to ISO 16016

Created s.pop
Drawn s.pop
Released s.pop
Disabled

1:15 A4 mm

General tolerances
DIN ISO 2768-c

08.03.2021
08.03.2021
08.03.2021

MPC560D4T40

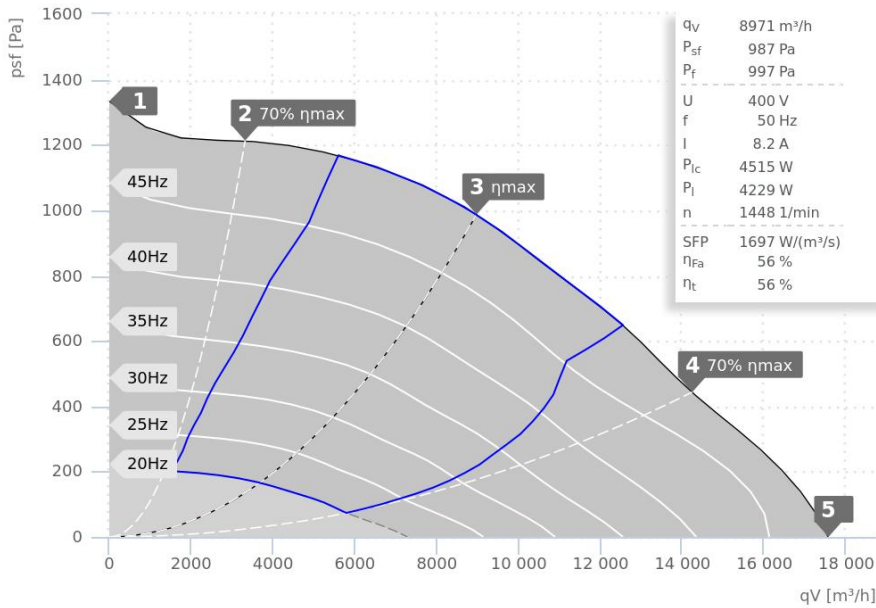
157235 00

VENTAS
VENTILATORER

DATA SHEET

ruck.eu
VENTILATOREN

MPC 630 D4 T40 | 157241



— ErP compliant range

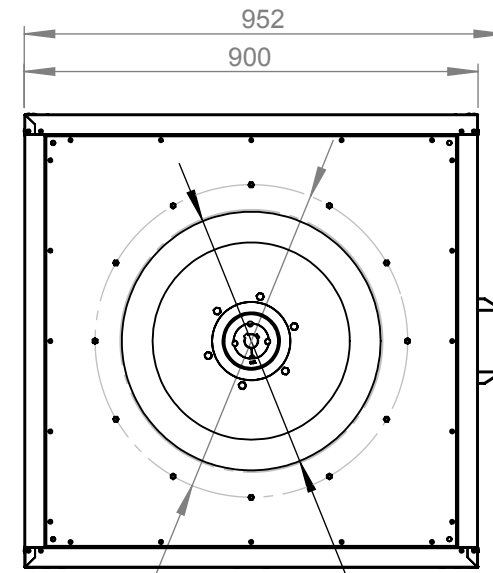
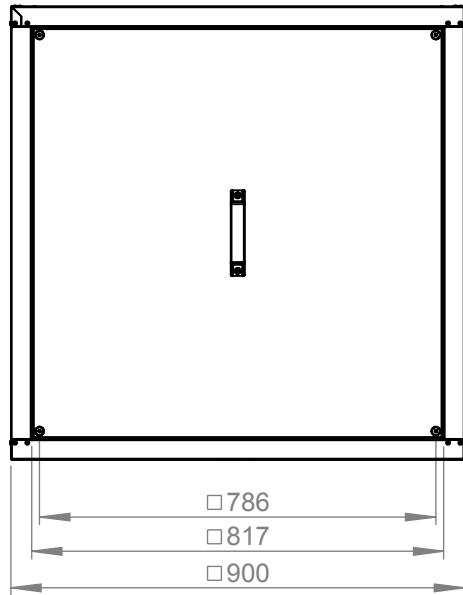


- Motor outside of air stream
- Galvanized sheet steel double wall casing
- Speed controllable
- Bottom pan with drain
- 30 mm insulation
- Frequency converter with 400V 3~ input and 400V 3~ output

Operating Point		1	2	3	4	5
Current I	A	5,1	6,3	8,2	7,9	6,8
Power consumption P _i	W	1435	2751	4234	4032	3345
Rotation speed n	1/min	1473	1468	1449	1455	1455
SWL inlet L _{WA5}	dB(A)	86	88	89	92	93
SWL outlet L _{WA6}	dB(A)	91	92	92	97	98
SWL housing break out L _{WA2}	dB(A)	79	81	79	84	84

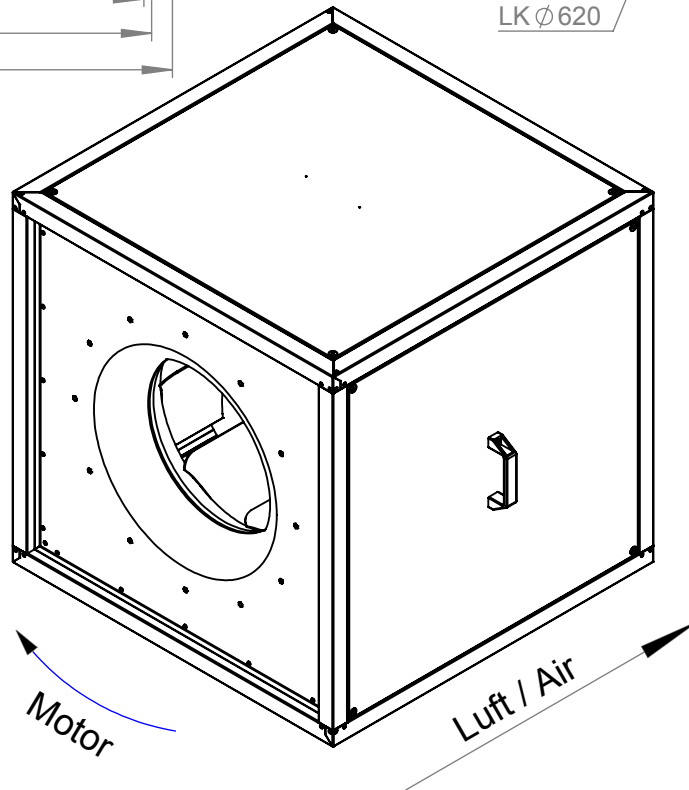
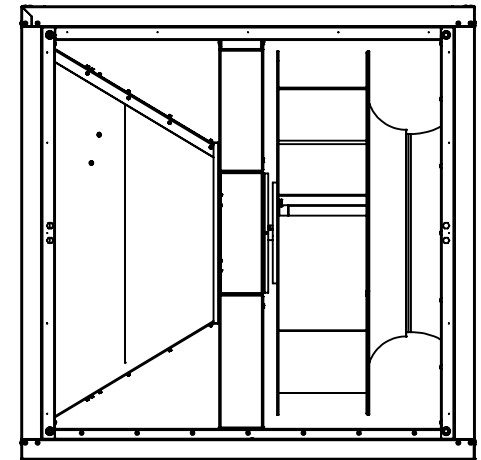
Sound power (L _W) dB(A)		Medium Frequency Band								
		Σ	63	125	250	500	1k	2k	4k	8k
Inlet	L _{WA5}	89	58	78	81	82	84	81	75	67
Outlet	L _{WA6}	92	61	81	82	87	87	84	79	70
Housing radiation	L _{WA2}	79	57	75	71	71	71	70	62	55

MPC 630 D4 T40 157241	
Voltage U _N	400 V 3~
Current I _{max}	8,8 A
Ambient temperature t _A	60 °C
Conveyed medium temperature t _M	120 °C
Speed Control	f
Motor protection	-
Insulation class motor	F
Weight	140,0 kg
Number of poles	4
IP motor	IP55
IP terminal box	-
IP complete unit	-
Min. operating temperature	-20 °C

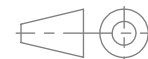


12xM6
LK Ø 620

Anschlussmaß innen min. Ø 520
Connection size inside min. Ø 520



ruck^{eu}
VENTILATOREN
ruck Ventilatoren
Max-Planck-Str. 5
D-97944 Boxberg



Protection Mark
according to ISO 16016

Created s.pop
Drawn s.pop
Released s.pop
Disabled

1:15 A4 mm

General tolerances
DIN ISO 2768-c

MPC630D4T40

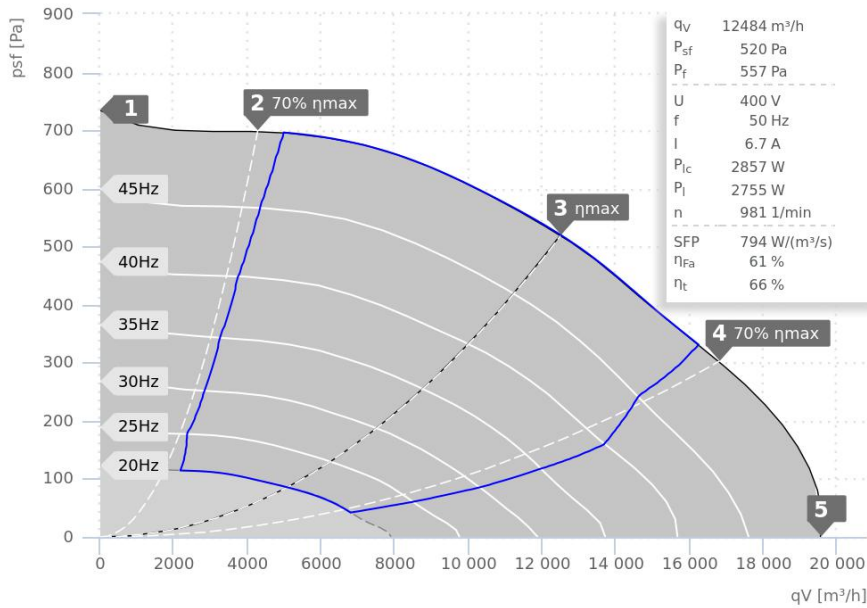
157241 00

VENTAS
VENTILATORER

DATA SHEET

ruck.eu
VENTILATOREN

MPC 710 D6 T40 | 150945



— ErP compliant range



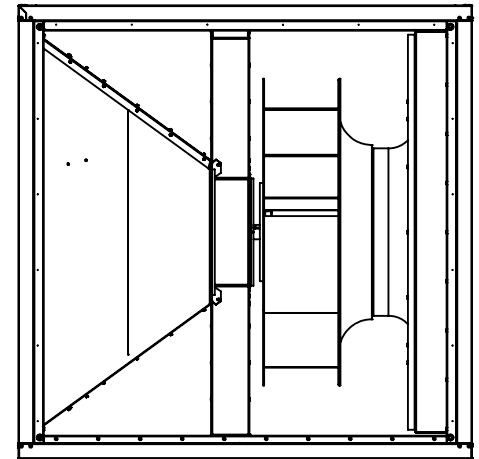
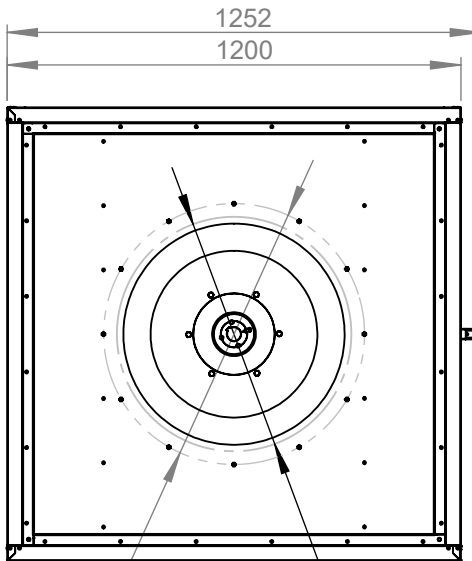
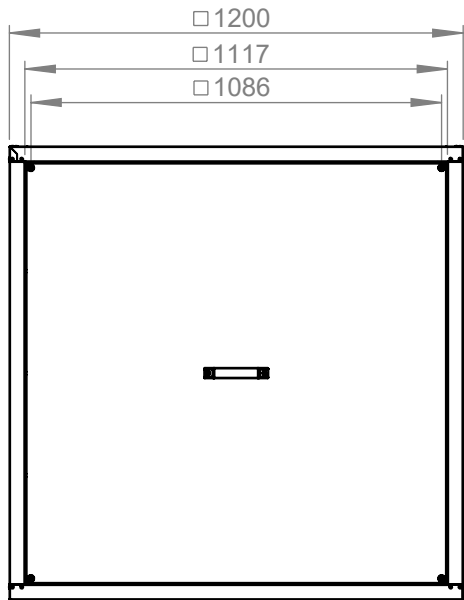
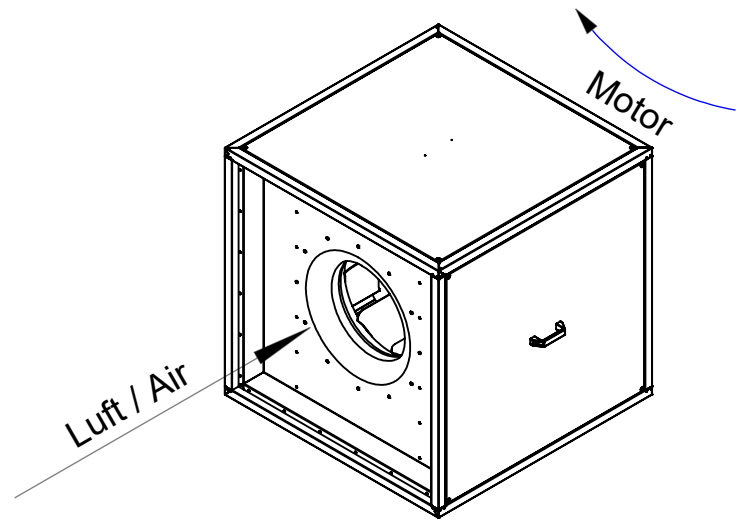
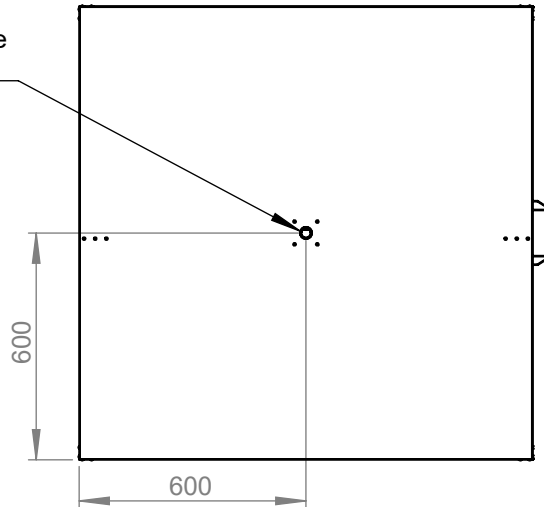
- Motor outside of air stream
- Galvanized sheet steel double wall casing
- Speed controllable
- Bottom pan with drain
- 30 mm insulation
- Frequency converter with 400V 3~ input and 400V 3~ output

Operating Point		1	2	3	4	5
Current I	A	5,0	5,7	6,7	6,3	5,8
Power consumption P _i	W	975	1817	2752	2436	1936
Rotation speed n	1/min	980	989	981	974	990
SWL inlet L _{WA5}	dB(A)	79	78	81	83	87
SWL outlet L _{WA6}	dB(A)	83	81	83	85	90
SWL housing break out L _{WA2}	dB(A)	70	69	70	72	76

Sound power (L _W) dB(A)		Medium Frequency Band								
		Σ	63	125	250	500	1k	2k	4k	8k
Inlet	L _{WA5}	81	52	76	76	73	73	71	68	64
Outlet	L _{WA6}	83	51	72	76	78	76	74	70	64
Housing radiation	L _{WA2}	70	49	66	61	62	63	57	53	49

MPC 710 D6 T40 150945	
Voltage U _N	400 V 3~
Current I _{max}	7,0 A
Ambient temperature t _A	60 °C
Conveyed medium temperature t _M	120 °C
Speed Control	f
Motor protection	-
Insulation class motor	F
Weight	235,0 kg
Number of poles	6
IP motor	IP55
IP terminal box	-
IP complete unit	-
Min. operating temperature	-20 °C

Kondensatablauf G3/4" Innengewinde
 Drain G3/4" female thread



12xM6
 LK Ø690

Anschlussmaß innen min. ϕ 620
 Connection size inside min. ϕ 620



1:20 A4 mm

Protection Mark
 according to ISO16016

General tolerances
 DIN ISO 2768-c

Created s.pop 28.03.2019
 Drawn s.pop 28.03.2019
 Released s.pop 12.07.2021
 Disabled

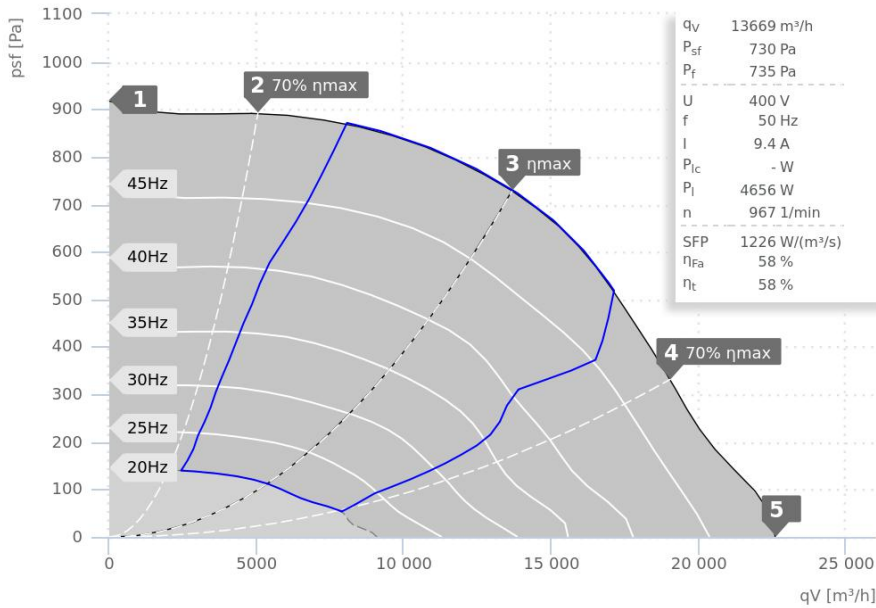
MPC710D6T40

150945 02



DATA SHEET

MPC 800 D6 T40 | 150960



- Motor outside of air stream
- Galvanized sheet steel double wall casing
- Speed controllable
- Bottom pan with drain
- 30 mm insulation
- Frequency converter with 400V 3~ input and 400V 3~ output

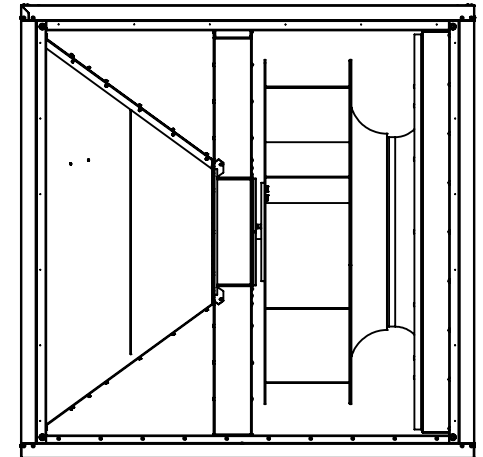
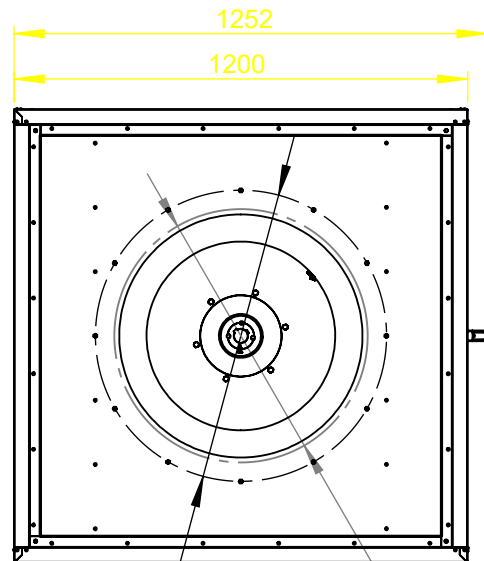
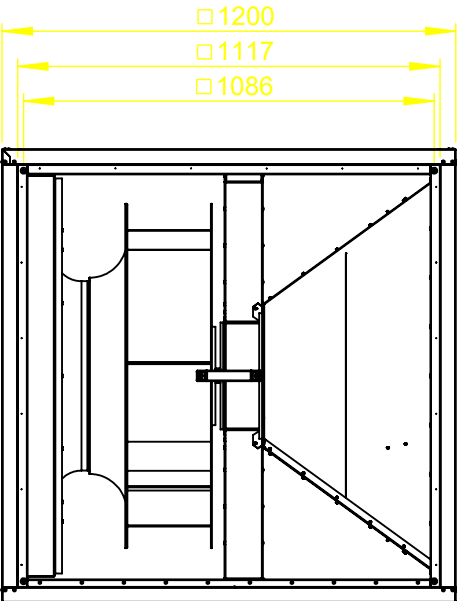
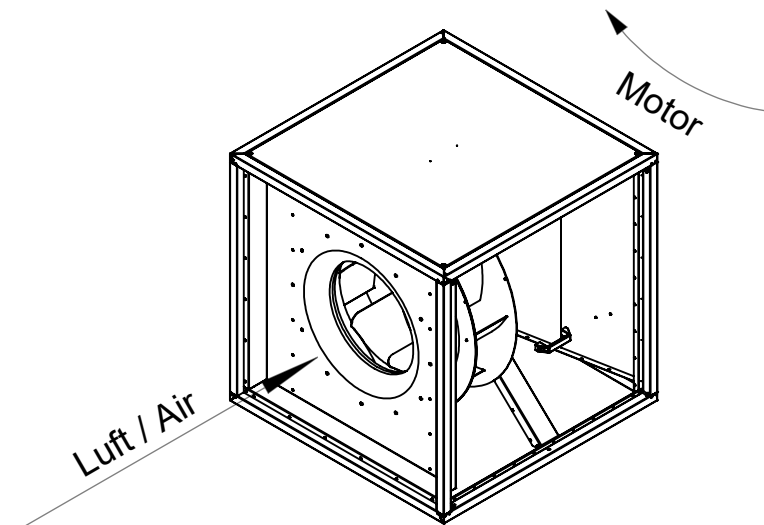
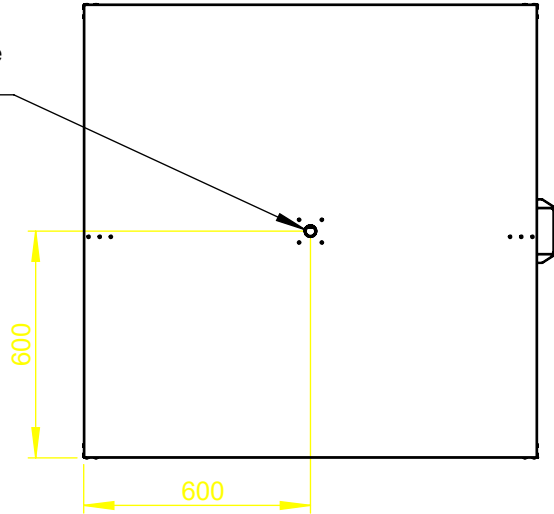
— ErP compliant range

Operating Point		1	2	3	4	5
Current I	A	5,5	7,0	9,4	8,7	7,3
Power consumption P _i	W	1632	3013	4677	4226	3164
Rotation speed n	1/min	976	980	968	973	981
SWL inlet L _{WA5}	dB(A)	85	86	87	88	89
SWL outlet L _{WA6}	dB(A)	88	89	90	92	93
SWL housing break out L _{WA2}	dB(A)	77	77	78	80	81

Sound power (L _W) dB(A)		Medium Frequency Band								
		Σ	63	125	250	500	1k	2k	4k	8k
Inlet	L _{WA5}	87	59	75	76	77	82	81	75	69
Outlet	L _{WA6}	90	55	73	80	84	85	85	78	67
Housing radiation	L _{WA2}	78	56	67	70	70	74	69	61	53

MPC 800 D6 T40 150960	
Voltage U _N	400 V 3~
Current I _{max}	9,9 A
Ambient temperature t _A	60 °C
Conveyed medium temperature t _M	120 °C
Speed Control	f
Motor protection	-
Insulation class motor	F
Weight	241,0 kg
Number of poles	6
IP motor	IP55
IP terminal box	-
IP complete unit	-
Min. operating temperature	-20 °C

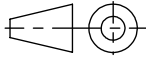
Kondensatablauf G3/4" Innengewinde
 Drain G3/4" female thread



12xM6
 LK Ø770

Anschlussmaß innen min. Ø670
 Connection size inside min. Ø670

ruck^{eu}
 VENTILATOREN
 ruck Ventilatoren
 Max-Planck-Str. 5
 D-97944 Boxberg

 1:20 A4 mm
 Protection Mark according to ISO16016
 General tolerances DIN ISO 2768-c
 Created s.pop 01.04.2019
 Drawn s.pop 01.04.2019
 Released s.pop 21.07.2020
 Disabled

MPC800D6T40

150960 01

