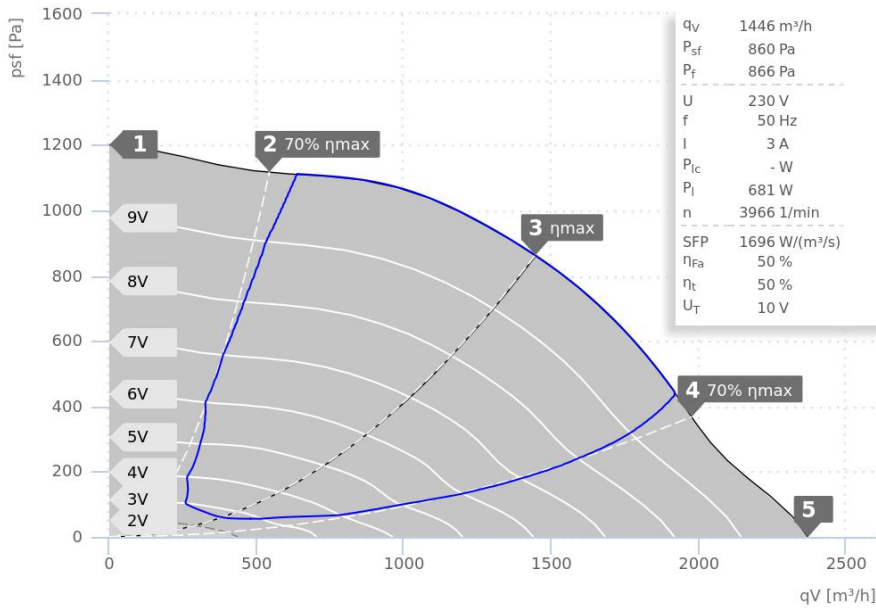


DATA SHEET

ruck.eu
VENTILATOREN

MPC 225 EC T30 | 143077



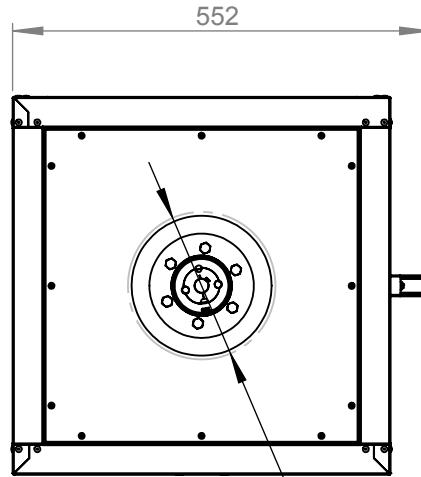
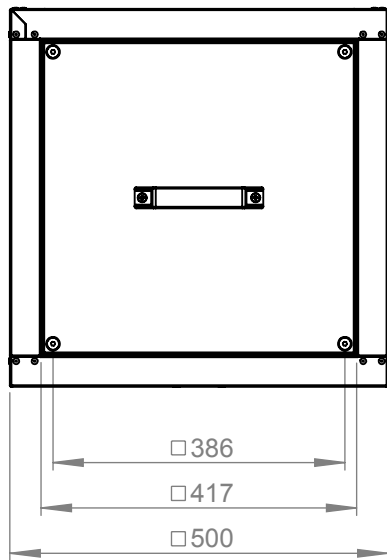
- Max. medium temperature 120°C
- EC-motor outside of air stream
- Speed controllable
- Galvanized sheet steel double wall casing
- With condensate and grease drain
- 30 mm insulation

— ErP compliant range

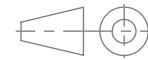
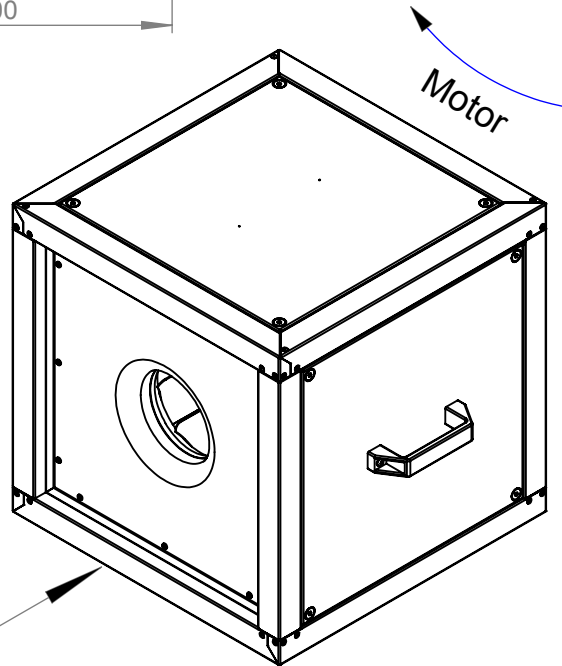
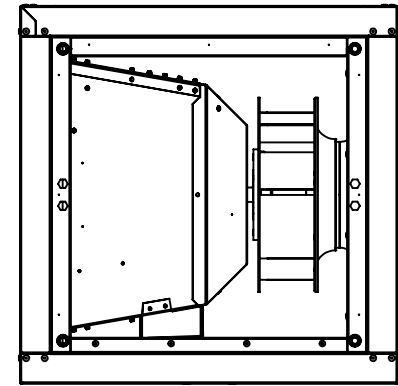
Operating Point		1	2	3	4	5
Current I	A	1,3	2,2	3,0	2,5	2,2
Power consumption P _i	W	274	490	682	565	475
Rotation speed n	1/min	3961	3966	3968	3976	3960
SWL inlet L _{WA5}	dB(A)	83	81	80	85	86
SWL outlet L _{WA6}	dB(A)	87	86	86	90	92
SWL housing break out L _{WA2}	dB(A)	80	80	80	80	80

Sound power (L _w) dB(A)		Medium Frequency Band								
		Σ	63	125	250	500	1k	2k	4k	8k
Inlet	L _{WA5}	80	63	58	65	75	74	73	72	66
Outlet	L _{WA6}	86	55	64	70	79	82	81	75	68
Housing radiation	L _{WA2}	80	59	62	62	67	72	77	72	67

MPC 225 EC T30 143077	
Voltage U _N	230 V 1~
Current I _{max}	3,2 A
Ambient temperature t _A	50 °C
Conveyed medium temperature t _M	120 °C
Speed Control	0-10V
Motor protection	TEC
Insulation class motor	F
Weight	33,0 kg
Number of poles	-
IP motor	IP54
IP terminal box	-
IP complete unit	-
Min. operating temperature	-20 °C



Anschlussmaß innen
min. \varnothing 195
Connection size inside
min. \varnothing 195



1:10 A4 mm

Protection Mark
according to ISO16016

General tolerances
DIN ISO 2768-c

MPC225ECT30

ruck^{eu}
VENTILATOREN
ruck Ventilatoren
Max-Planck-Str. 5
D-97944 Boxberg

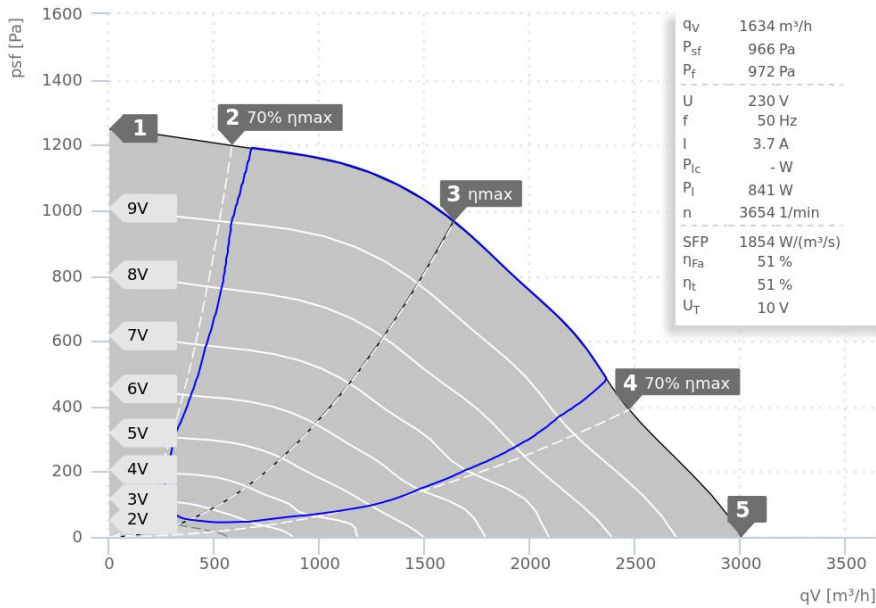
Created s.pop 22.02.2018
Drawn s.pop 22.02.2018
Released d.hancu 16.07.2018
Disabled

143077 00



DATA SHEET

MPC 250 EC T30 | 143078



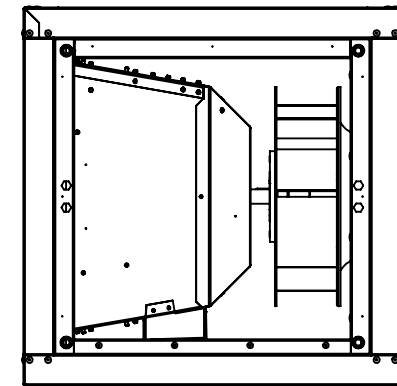
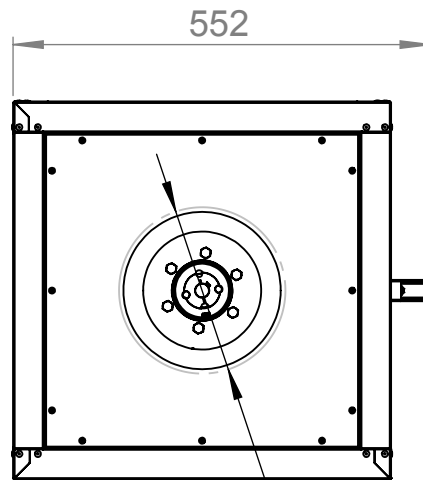
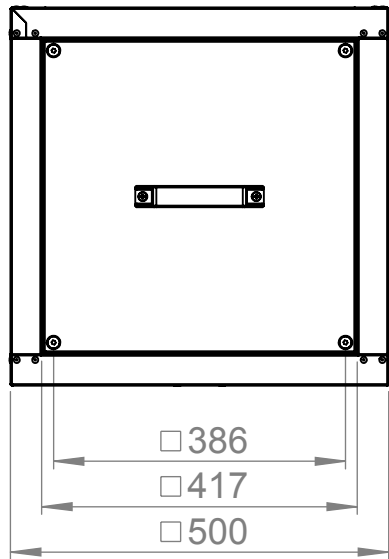
- Max. medium temperature 120°C
- EC-motor outside of air stream
- Speed controllable
- Galvanized sheet steel double wall casing
- With condensate and grease drain
- 30 mm insulation

— ErP compliant range

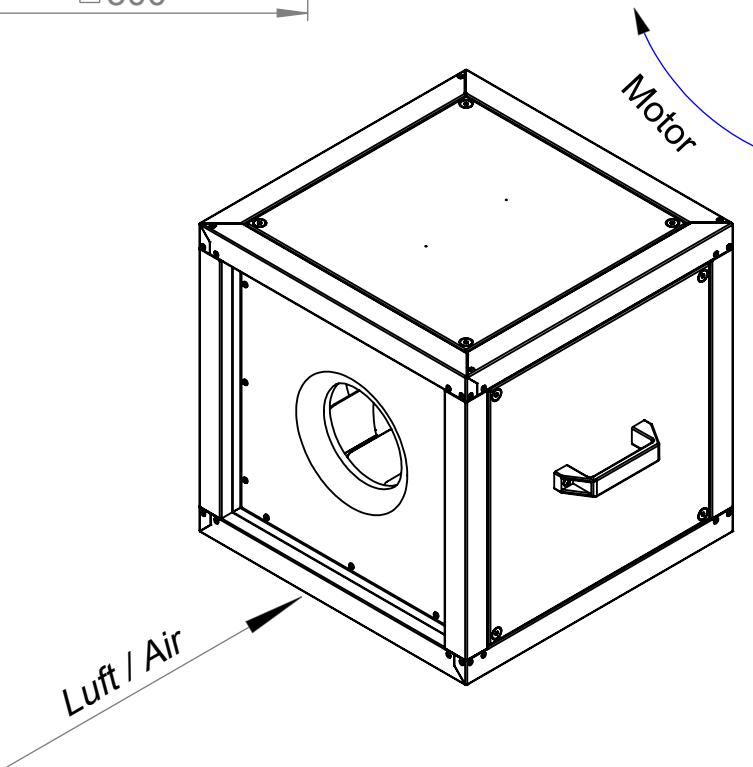
Operating Point		1	2	3	4	5
Current I	A	1,5	2,4	3,7	3,3	2,7
Power consumption P _i	W	328	545	843	731	591
Rotation speed n	1/min	3649	3657	3657	3655	3656
SWL inlet L _{WA5}	dB(A)	83	82	81	86	88
SWL outlet L _{WA6}	dB(A)	87	86	87	93	95
SWL housing break out L _{WA2}	dB(A)	79	78	78	79	81

Sound power (L _W) dB(A)		Medium Frequency Band								
		Σ	63	125	250	500	1k	2k	4k	8k
Inlet	L _{WA5}	81	50	62	68	76	76	74	72	66
Outlet	L _{WA6}	87	57	69	73	80	83	80	74	69
Housing radiation	L _{WA2}	78	55	63	64	67	71	74	70	65

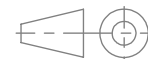
MPC 250 EC T30 143078	
Voltage U _N	230 V 1~
Current I _{max}	3,9 A
Ambient temperature t _A	50 °C
Conveyed medium temperature t _M	120 °C
Speed Control	0-10V
Motor protection	TEC
Insulation class motor	F
Weight	33,0 kg
Number of poles	-
IP motor	IP54
IP terminal box	-
IP complete unit	-
Min. operating temperature	-20 °C



Anschlussmaß innen
min. \varnothing 220
Connection size inside
min. \varnothing 220



ruck^{eu}
VENTILATOREN
ruck Ventilatoren
Max-Planck-Str. 5
D-97944 Boxberg



Protection Mark
according to ISO16016
Created s.pop
Drawn s.pop
Released v.brand
Disabled

1:10 A4 mm

General tolerances
DIN ISO 2768-c

MPC250ECT30

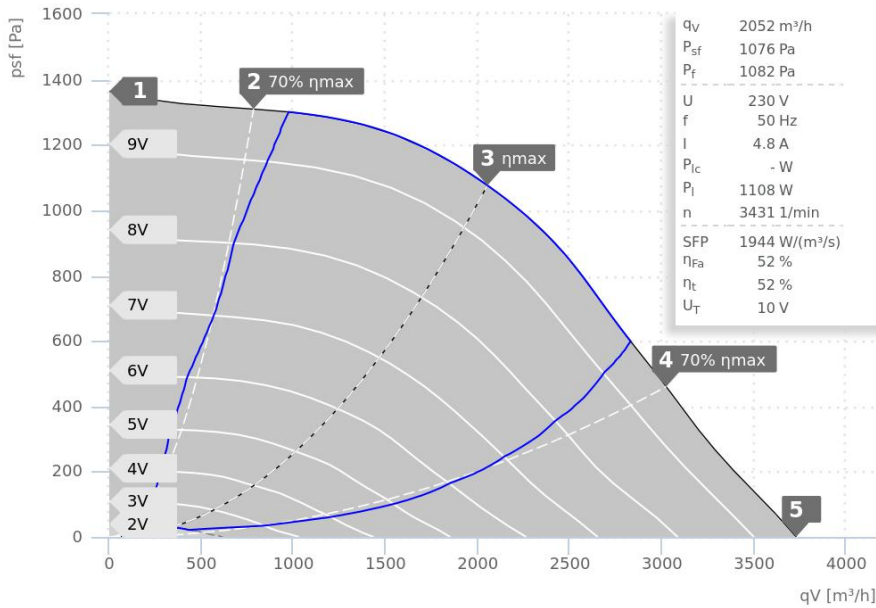
143078 00

VENTAS
VENTILATORER

DATA SHEET

ruck.eu
VENTILATOREN

MPC 280 EC T20 | 136057



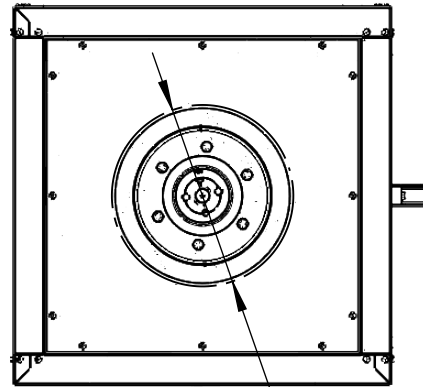
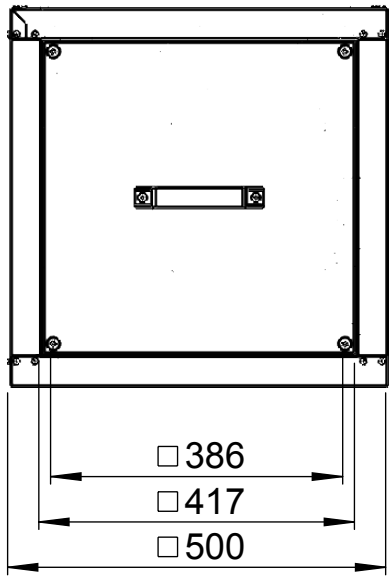
- EC-motor outside of air stream
- Integrated electronic
- Speed controllable
- Galvanized sheet steel double wall casing
- With condensate and grease drain
- 30 mm insulation

— ErP compliant range

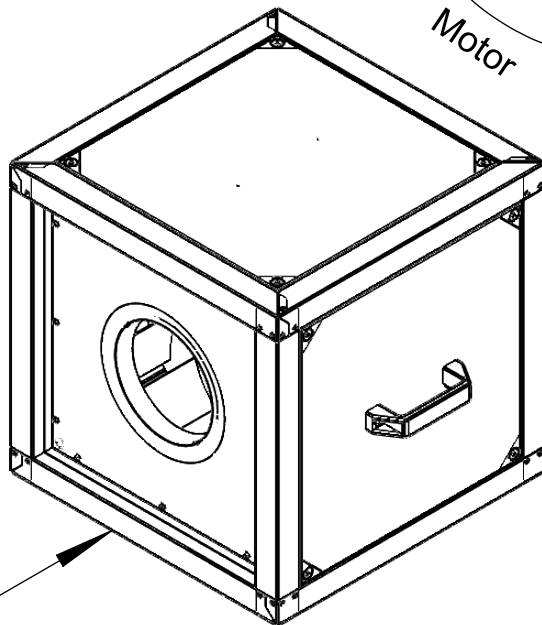
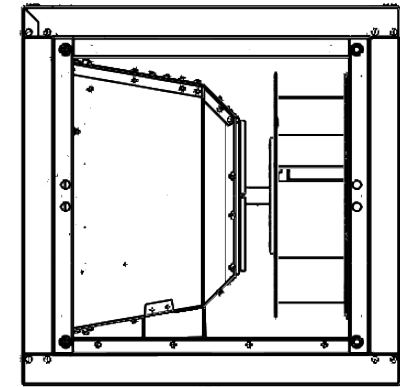
Operating Point		1	2	3	4	5
Current I	A	1,8	3,2	4,8	4,3	3,6
Power consumption P _i	W	398	741	1108	990	812
Rotation speed n	1/min	3431	3434	3431	3427	3430
SWL inlet L _{WA5}	dB(A)	87	86	87	91	92
SWL outlet L _{WA6}	dB(A)	89	88	89	94	96
SWL housing break out L _{WA2}	dB(A)	79	78	77	79	80

Sound power (L _W) dB(A)		Medium Frequency Band								
		Σ	63	125	250	500	1k	2k	4k	8k
Inlet	L _{WA5}	87	52	69	75	83	82	80	77	76
Outlet	L _{WA6}	89	55	72	76	84	84	83	77	74
Housing radiation	L _{WA2}	77	55	64	67	72	71	70	66	61

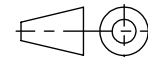
MPC 280 EC T20 136057	
Voltage U _N	230 V 1~
Current I _{max}	5,2 A
Ambient temperature t _A	50 °C
Conveyed medium temperature t _M	120 °C
Speed Control	0-10V
Motor protection	TEC
Insulation class motor	F
Weight	37,7 kg
Number of poles	-
IP motor	IP54
IP terminal box	IP54
IP complete unit	IPX4
Min. operating temperature	-10 °C



Anschlussmaß innen
min. \varnothing 240
Connection size inside
min. \varnothing 240



ruck^{eu}
VENTILATOREN
ruck Ventilatoren
Max-Planck-Str. 5
D-97944 Boxberg



Protection Mark
according to ISO 16016

Created s.pop
Drawn s.pop
Released
Disabled

1:10 A4 mm

General tolerances
DIN ISO 2768-c

28.08.2017
28.08.2017

MPC280ECT20+

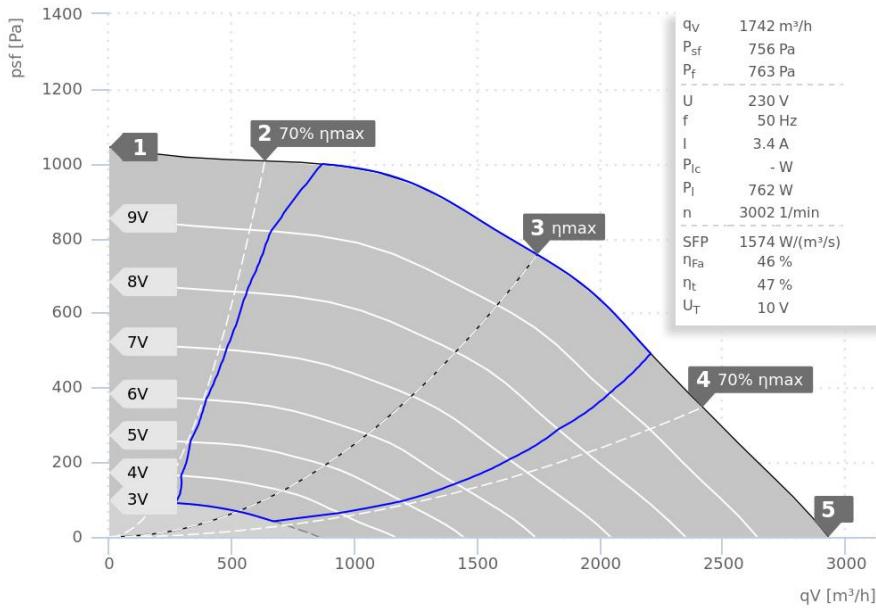
136057 02

VENTAS
VENTILATORER

DATA SHEET

ruck.eu
VENTILATOREN

MPC 280 EC T30 | 143079



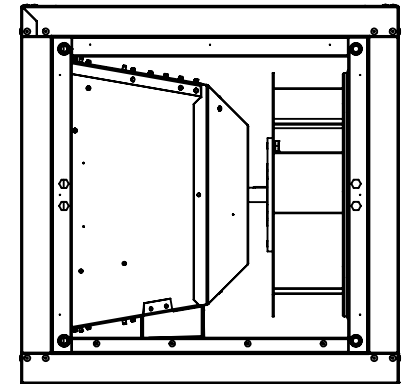
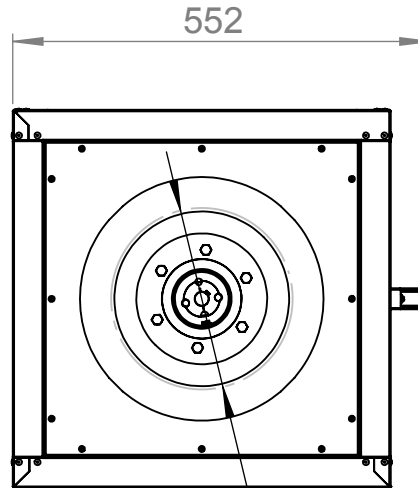
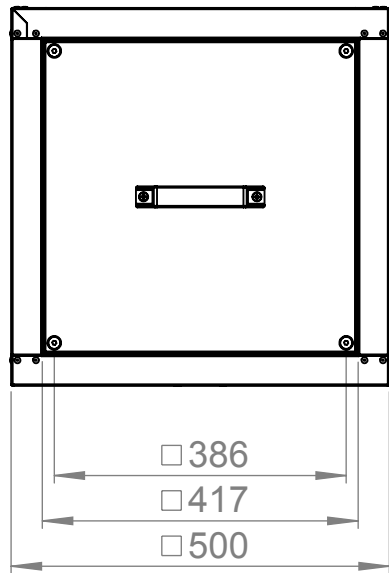
- Max. medium temperature 120°C
- EC-motor outside of air stream
- Speed controllable
- Galvanized sheet steel double wall casing
- With condensate and grease drain
- 30 mm insulation

— ErP compliant range

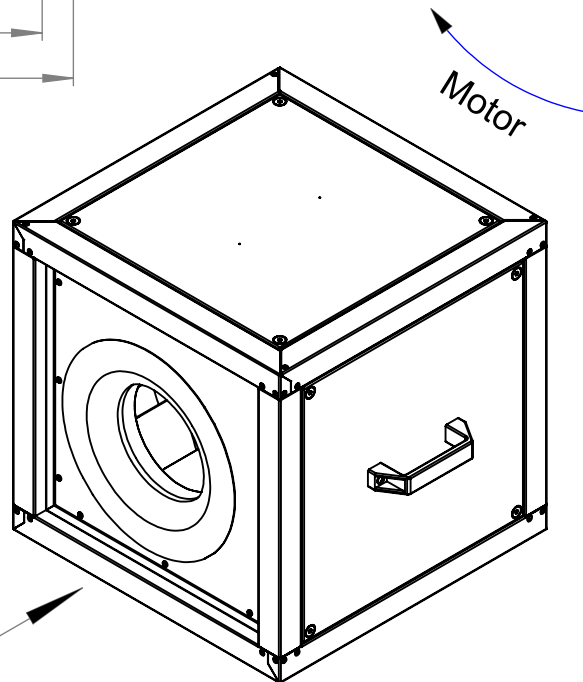
Operating Point		1	2	3	4	5
Current I	A	1,4	2,4	3,4	3,0	2,6
Power consumption P_1	W	286	532	762	685	569
Rotation speed n	1/min	2996	3002	3002	3002	3003
SWL inlet L_{WA5}	dB(A)	82	81	83	86	89
SWL outlet L_{WA6}	dB(A)	85	85	88	92	95
SWL housing break out L_{WA2}	dB(A)	75	75	76	80	81

Sound power (L_W) dB(A)		Medium Frequency Band								
		Σ	63	125	250	500	1k	2k	4k	8k
Inlet	L_{WA5}	83	62	62	74	78	77	75	71	65
Outlet	L_{WA6}	88	64	66	80	82	82	80	74	67
Housing radiation	L_{WA2}	76	54	64	70	67	68	69	64	58

MPC 280 EC T30 143079	
Voltage U_N	230 V 1~
Current I_{max}	3,6 A
Ambient temperature t_A	50 °C
Conveyed medium temperature t_M	120 °C
Speed Control	0-10V
Motor protection	TEC
Insulation class motor	F
Weight	33,5 kg
Number of poles	-
IP motor	IP54
IP terminal box	-
IP complete unit	-
Min. operating temperature	-20 °C

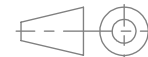


Anschlussmaß innen
min. ϕ 240
Connection size inside
min. ϕ 240



Luft / Air

ruck^{eu}
VENTILATOREN
ruck Ventilatoren
Max-Planck-Str. 5
D-97944 Boxberg



Protection Mark
according to ISO16016

Created s.pop
Drawn s.pop
Released v.brand
Disabled

1:10 A4 mm

General tolerances
DIN ISO 2768-c

22.02.2018
22.02.2018
27.02.2020

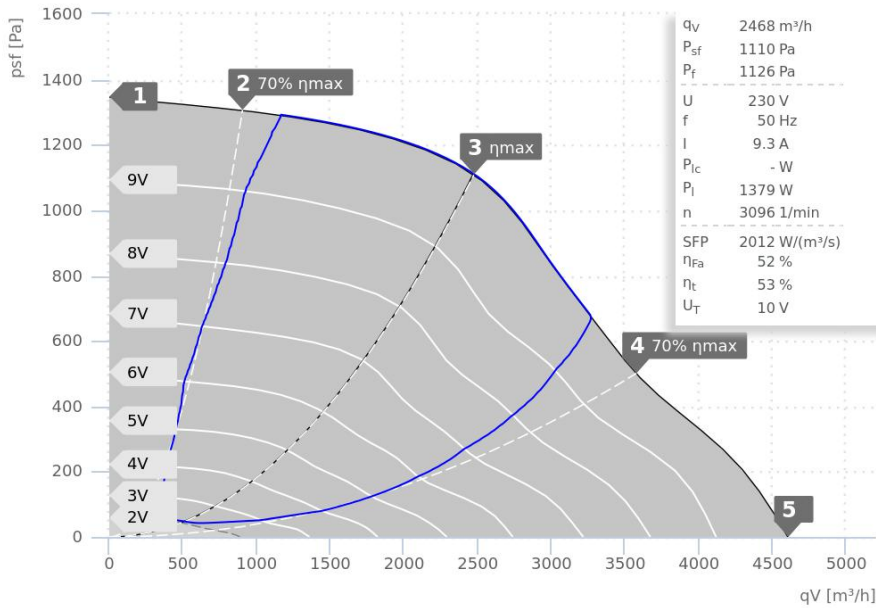
MPC280ECT30

143079 00



DATA SHEET

MPC 315 EC T30 | 149264



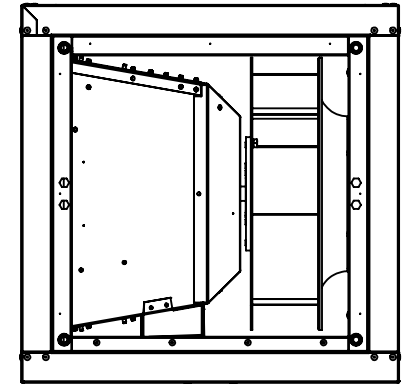
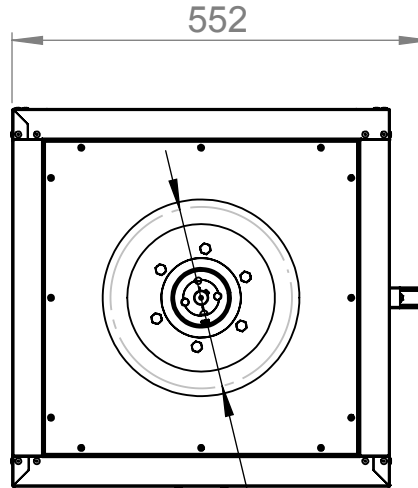
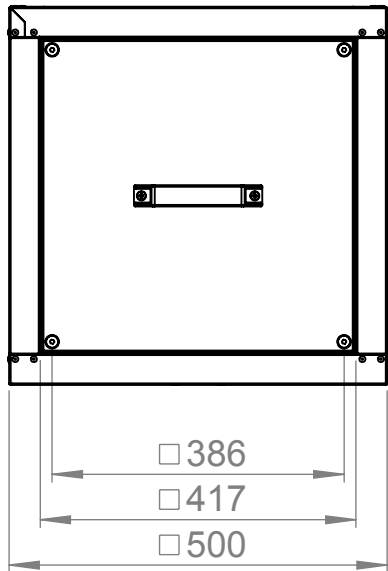
- Max. medium temperature 120°C
- EC-motor outside of air stream
- Speed controllable
- Galvanized sheet steel double wall casing
- With condensate and grease drain
- 30 mm insulation

— ErP compliant range

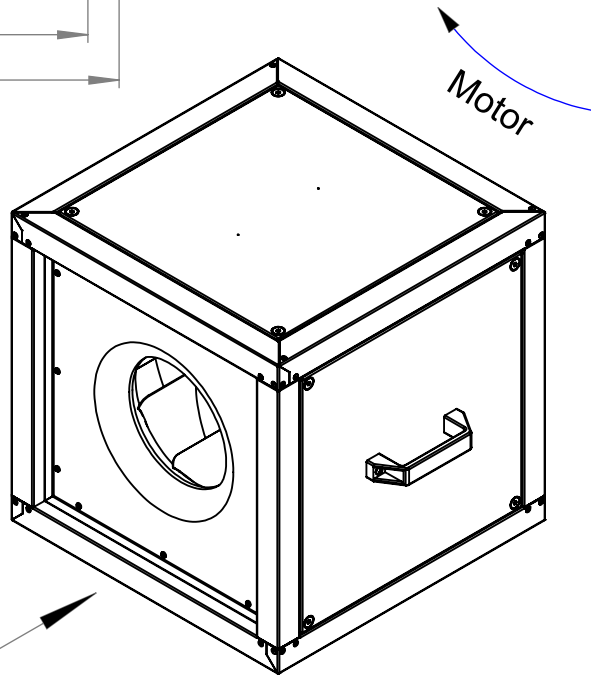
Operating Point		1	2	3	4	5
Current I	A	3,9	6,1	9,3	8,8	7,5
Power consumption P ₁	W	508	860	1383	1286	1075
Rotation speed n	1/min	3092	3099	3098	3098	3097
SWL inlet L _{WA5}	dB(A)	87	87	87	90	92
SWL outlet L _{WA6}	dB(A)	90	90	90	93	95
SWL housing break out L _{WA2}	dB(A)	79	78	77	80	81

Sound power (L _W) dB(A)		Medium Frequency Band								
		Σ	63	125	250	500	1k	2k	4k	8k
Inlet	L _{WA5}	87	53	66	78	84	80	79	75	69
Outlet	L _{WA6}	90	57	67	82	87	83	82	76	69
Housing radiation	L _{WA2}	77	55	66	70	70	69	71	65	58

MPC 315 EC T30 149264	
Voltage U _N	230 V 1~
Current I _{max}	9,9 A
Ambient temperature t _A	50 °C
Conveyed medium temperature t _M	120 °C
Speed Control	0-10V
Motor protection	TEC
Insulation class motor	F
Weight	41,0 kg
Number of poles	-
IP motor	IP54
IP terminal box	-
IP complete unit	-
Min. operating temperature	-20 °C



Anschlussmaß innen
min. \varnothing 240
Connection size inside
min. \varnothing 240



ruck^{eu}
VENTILATOREN
ruck Ventilatoren
Max-Planck-Str. 5
D-97944 Boxberg



Protection Mark
according to ISO 16016

Created a.ganea
Drawn a.ganea
Released a.ganea
Disabled

1:10 A4 mm

General tolerances
DIN ISO 2768-c

22.10.2018
22.10.2018
22.10.2018

MPC315ECT30

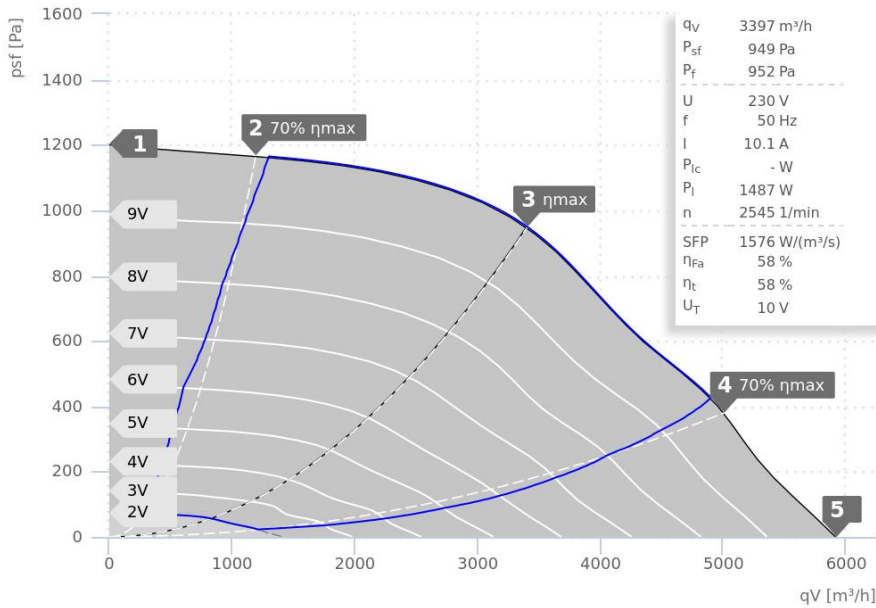
149264 00

VENTAS
VENTILATOREN

DATA SHEET

ruck.eu
VENTILATOREN

MPC 355 EC T30 | 149321



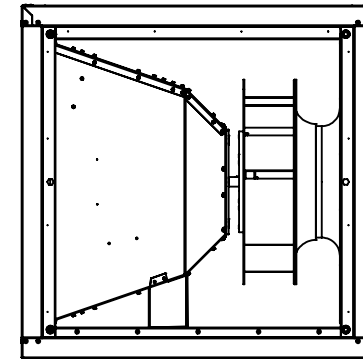
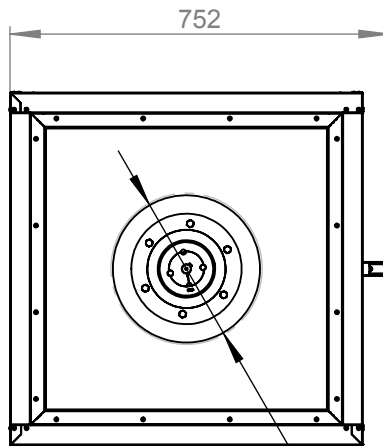
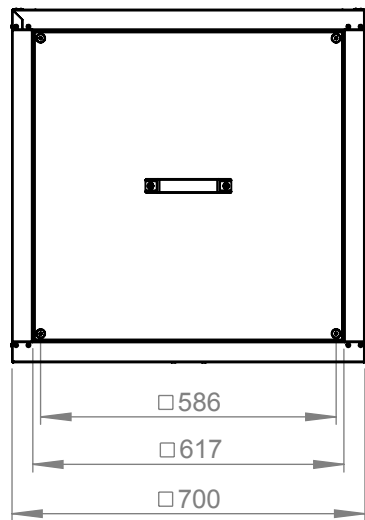
- Max. medium temperature 120°C
- EC-motor outside of air stream
- Speed controllable
- Galvanized sheet steel double wall casing
- With condensate and grease drain
- 30 mm insulation

— ErP compliant range

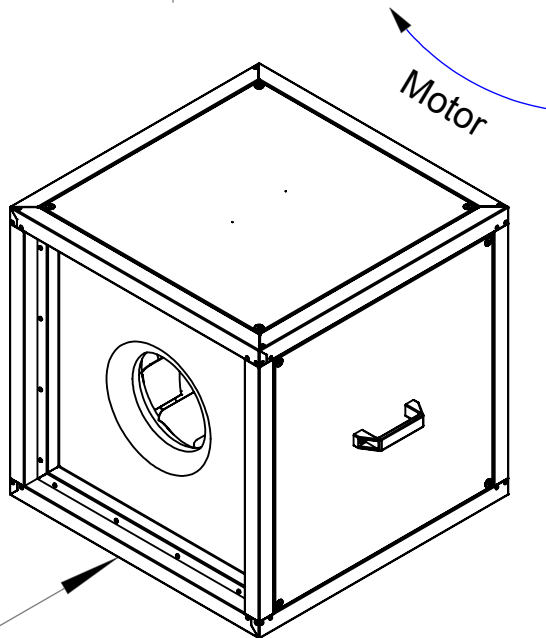
Operating Point		1	2	3	4	5
Current I	A	4,1	6,7	10,2	8,7	7,0
Power consumption P _i	W	532	935	1493	1248	989
Rotation speed n	1/min	2536	2549	2549	2547	2548
SWL inlet L _{WA5}	dB(A)	84	83	84	88	90
SWL outlet L _{WA6}	dB(A)	88	88	88	91	93
SWL housing break out L _{WA2}	dB(A)	75	74	74	74	75

Sound power (L _W) dB(A)		Medium Frequency Band								
		Σ	63	125	250	500	1k	2k	4k	8k
Inlet	L _{WA5}	84	47	61	77	78	78	77	75	67
Outlet	L _{WA6}	88	51	61	79	79	84	82	80	72
Housing radiation	L _{WA2}	74	50	57	68	65	67	68	61	54

MPC 355 EC T30 149321	
Voltage U _N	230 V 1~
Current I _{max}	10,7 A
Ambient temperature t _A	50 °C
Conveyed medium temperature t _M	120 °C
Speed Control	0-10V
Motor protection	TEC
Insulation class motor	F
Weight	63,0 kg
Number of poles	-
IP motor	IP54
IP terminal box	-
IP complete unit	-
Min. operating temperature	-20 °C



Anschlussmaß innen
min. \varnothing 300
Connection size inside
min. \varnothing 300



1:15 A4 mm

Protection Mark
according to ISO16016

General tolerances
DIN ISO 2768-c

MPC355ECT30

ruck^{eu}
VENTILATOREN
ruck Ventilatoren
Max-Planck-Str. 5
D-97944 Boxberg

Created a.ganea
Drawn a.ganea
Released a.ganea
Disabled

23.10.2018
23.10.2018
25.10.2018

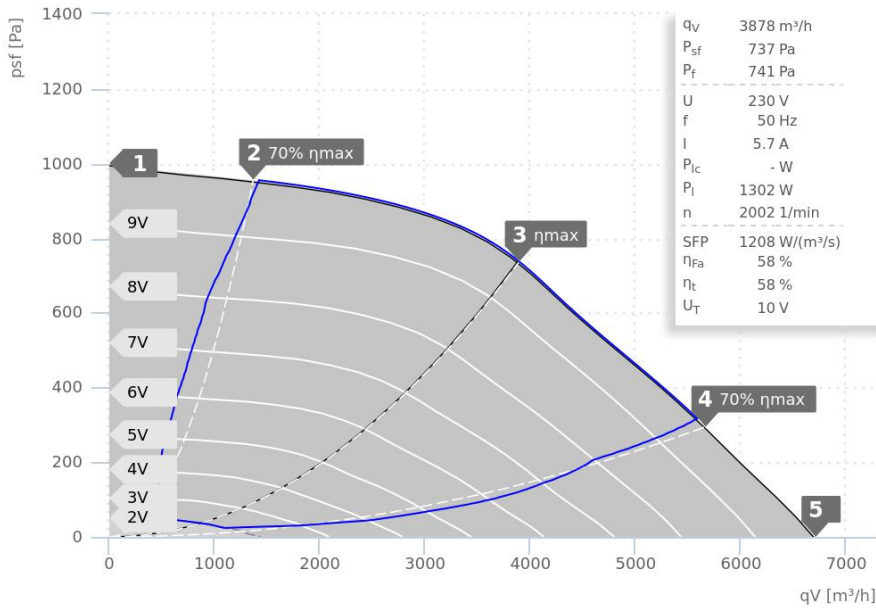
149321 00

VENTAS
VENTILATOREN

DATA SHEET

ruck.eu
VENTILATOREN

MPC 400 EC T21 | 140165



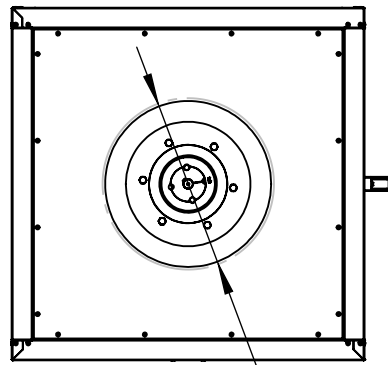
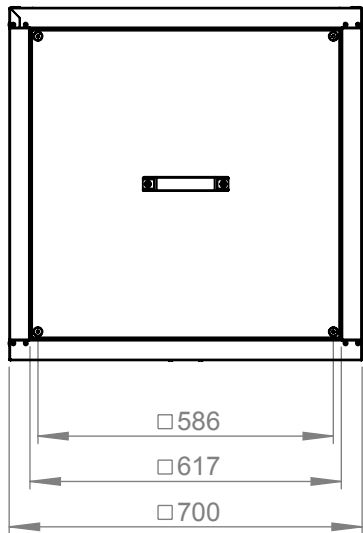
- EC-motor outside of air stream
- Integrated electronic
- Speed controllable
- Galvanized sheet steel double wall casing
- With condensate and grease drain
- 30 mm insulation

— ErP compliant range

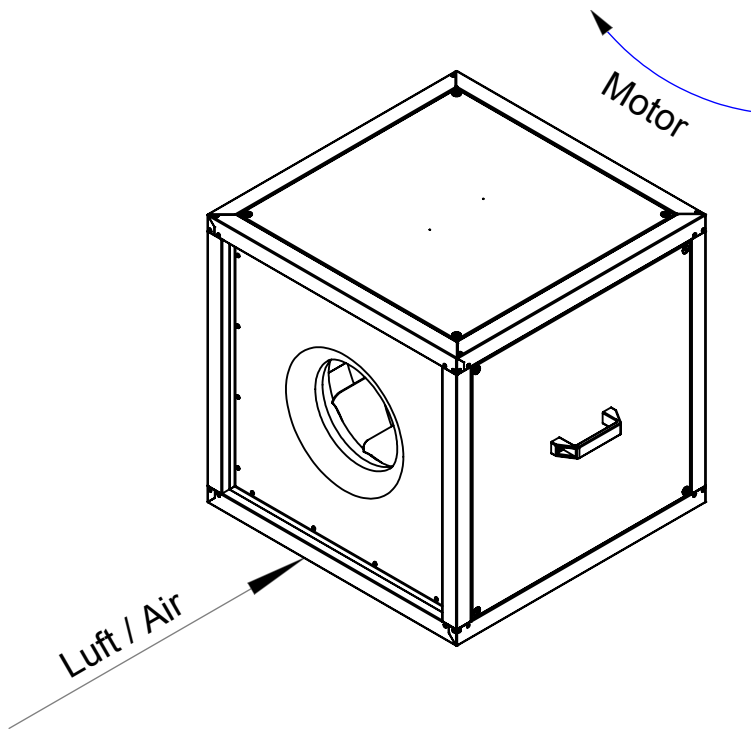
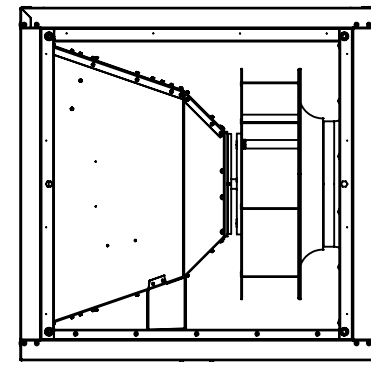
Operating Point		1	2	3	4	5
Current I	A	2,0	3,8	5,7	4,8	3,7
Power consumption P _i	W	449	860	1311	1086	850
Rotation speed n	1/min	2056	2055	2007	2040	2054
SWL inlet L _{WA5}	dB(A)	82	80	82	87	89
SWL outlet L _{WA6}	dB(A)	86	84	85	89	91
SWL housing break out L _{WA2}	dB(A)	74	74	73	76	78

Sound power (L _W) dB(A)		Medium Frequency Band								
		Σ	63	125	250	500	1k	2k	4k	8k
Inlet	L _{WA5}	82	48	62	75	77	75	74	70	64
Outlet	L _{WA6}	85	49	62	78	78	80	77	73	67
Housing radiation	L _{WA2}	73	51	61	70	64	65	63	60	54

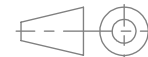
MPC 400 EC T21 140165	
Voltage U _N	230 V 1~
Current I _{max}	6,0 A
Ambient temperature t _A	45 °C
Conveyed medium temperature t _M	120 °C
Speed Control	0-10V
Motor protection	TEC
Insulation class motor	F
Weight	68,0 kg
Number of poles	-
IP motor	IP54
IP terminal box	-
IP complete unit	-
Min. operating temperature	-10 °C



Anschlussmaß innen
min. \varnothing 340
Connection size inside
min. \varnothing 340



ruck^{eu}
VENTILATOREN
ruck Ventilatoren
Max-Planck-Str. 5
D-97944 Boxberg



Protection Mark
according to ISO16016
Created s.pop
Drawn s.pop
Released
Disabled

1:15 A4 mm

General tolerances
DIN ISO 2768-c
31.08.2017
31.08.2017

MPC400ECT21+

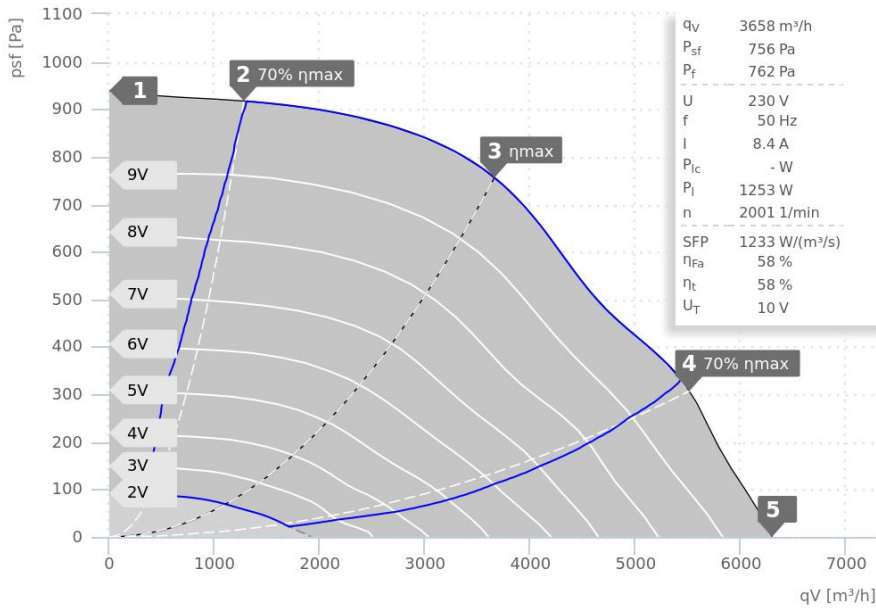
140165 02

VENTAS
VENTILATORER

DATA SHEET

ruck.eu
VENTILATOREN

MPC 400 EC T30 | 149327



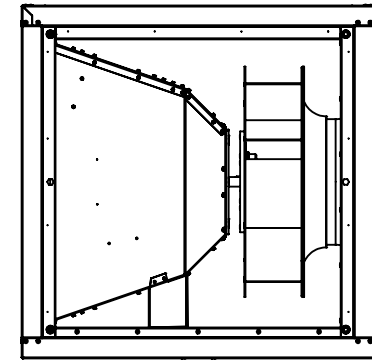
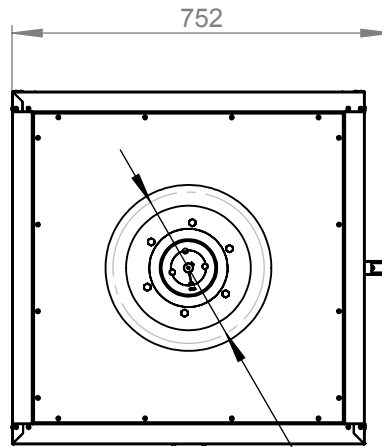
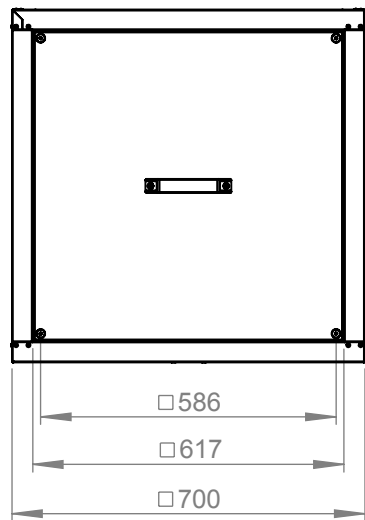
- Max. medium temperature 120°C
- EC-motor outside of air stream
- Speed controllable
- Galvanized sheet steel double wall casing
- With condensate and grease drain
- 30 mm insulation

— ErP compliant range

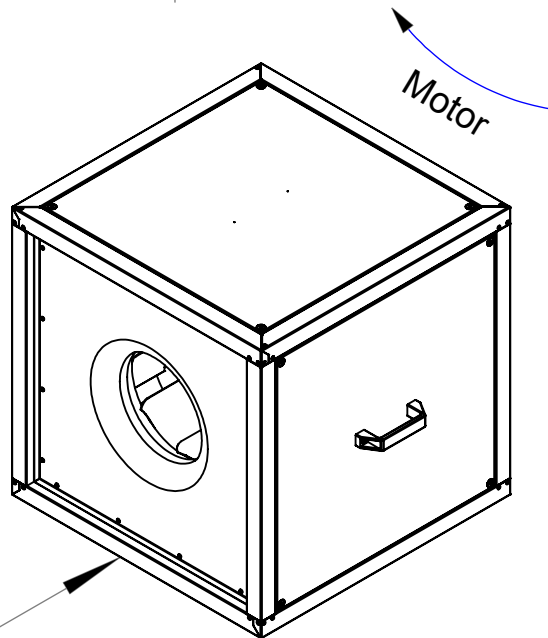
Operating Point		1	2	3	4	5
Current I	A	3,3	5,4	8,4	7,3	5,8
Power consumption P ₁	W	439	768	1253	1086	836
Rotation speed n	1/min	1995	2002	2000	1999	2000
SWL inlet L _{WA5}	dB(A)	82	81	82	87	88
SWL outlet L _{WA6}	dB(A)	85	84	85	88	90
SWL housing break out L _{WA2}	dB(A)	72	72	70	73	74

Sound power (L _W) dB(A)		Medium Frequency Band								
		Σ	63	125	250	500	1k	2k	4k	8k
Inlet	L _{WA5}	82	52	62	74	77	75	74	70	63
Outlet	L _{WA6}	85	52	64	76	78	81	77	73	65
Housing radiation	L _{WA2}	70	48	57	64	66	63	60	55	50

MPC 400 EC T30 149327	
Voltage U _N	230 V 1~
Current I _{max}	8,8 A
Ambient temperature t _A	50 °C
Conveyed medium temperature t _M	120 °C
Speed Control	0-10V
Motor protection	TEC
Insulation class motor	F
Weight	65,0 kg
Number of poles	-
IP motor	IP54
IP terminal box	-
IP complete unit	-
Min. operating temperature	-20 °C



Anschlussmaß innen
min. \varnothing 300
Connection size inside
min. \varnothing 300



1:15 A4 mm



ruck Ventilatoren
Max-Planck-Str. 5
D-97944 Boxberg

Protection Mark
according to ISO16016

Created s.pop
Drawn s.pop
Released s.pop
Disabled

General tolerances
DIN ISO 2768-c

24.10.2018
24.10.2018
24.10.2018

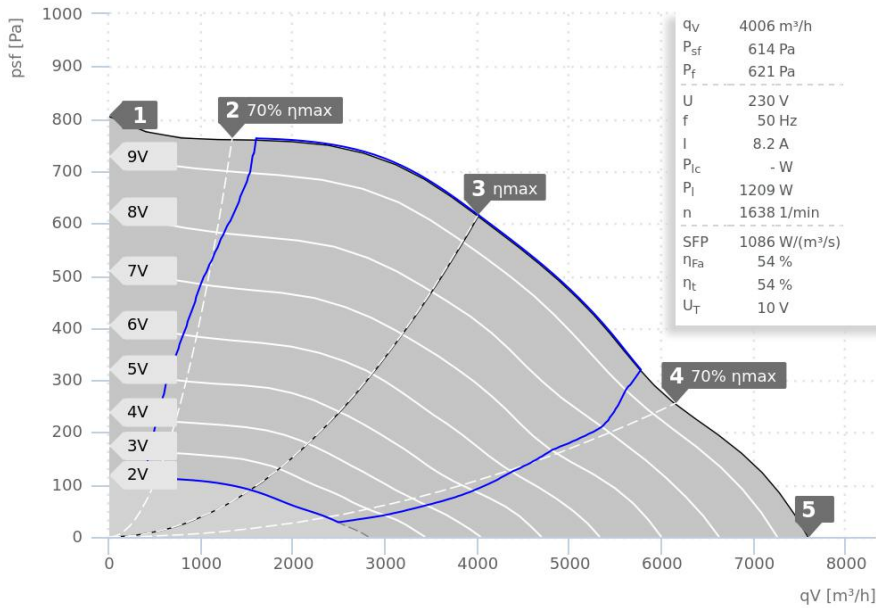
MPC400ECT30

149327 00



DATA SHEET

MPC 450 EC T30 | 149331



— ErP compliant range

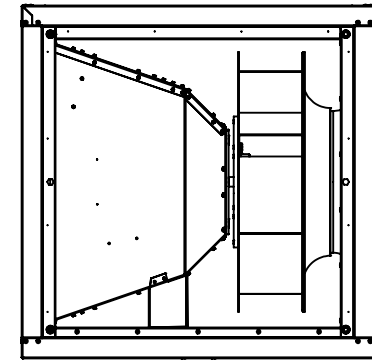
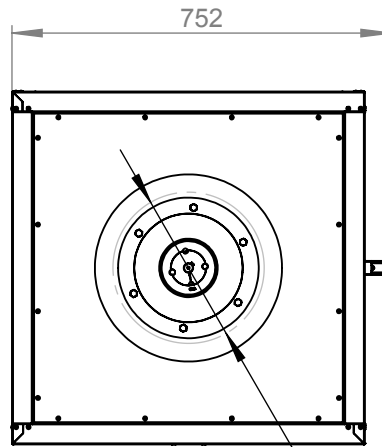
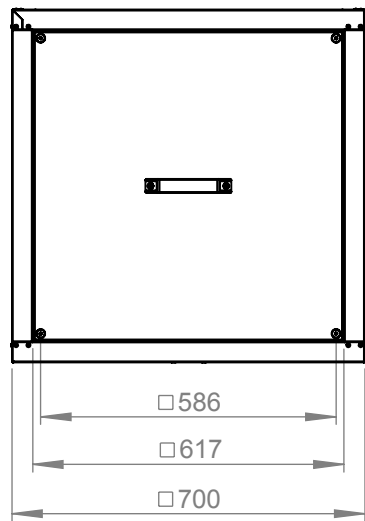


- Max. medium temperature 120°C
- EC-motor outside of air stream
- Speed controllable
- Galvanized sheet steel double wall casing
- With condensate and grease drain
- 30 mm insulation

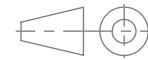
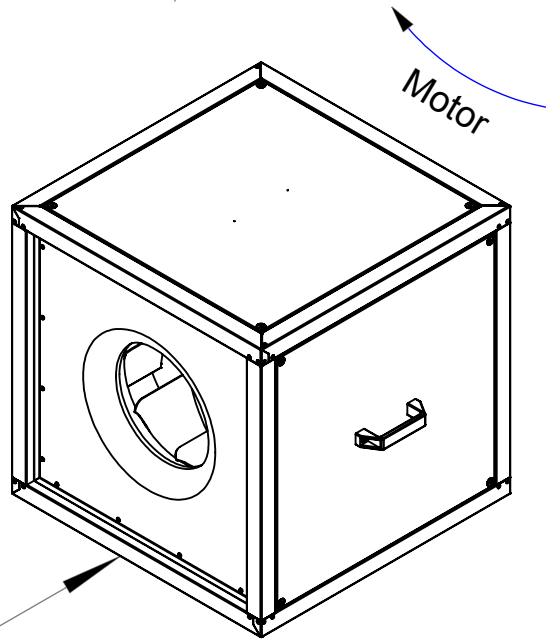
Operating Point		1	2	3	4	5
Current I	A	2,9	5,2	8,2	7,5	6,1
Power consumption P_1	W	380	727	1215	1097	872
Rotation speed n	1/min	1627	1642	1641	1640	1640
SWL inlet L_{WA5}	dB(A)	79	79	81	84	86
SWL outlet L_{WA6}	dB(A)	83	82	82	87	88
SWL housing break out L_{WA2}	dB(A)	70	69	69	71	72

Sound power (L_W) dB(A)		Medium Frequency Band								
		Σ	63	125	250	500	1k	2k	4k	8k
Inlet	L_{WA5}	81	49	65	76	76	74	71	66	60
Outlet	L_{WA6}	82	50	66	75	77	77	73	69	60
Housing radiation	L_{WA2}	69	47	59	63	64	63	56	51	46

MPC 450 EC T30 149331	
Voltage U_N	230 V 1~
Current I_{max}	8,8 A
Ambient temperature t_A	50 °C
Conveyed medium temperature t_M	120 °C
Speed Control	0-10V
Motor protection	TEC
Insulation class motor	F
Weight	73,0 kg
Number of poles	-
IP motor	IP54
IP terminal box	-
IP complete unit	-
Min. operating temperature	-20 °C



Anschlussmaß innen
min. \varnothing 300
Connection size inside
min. \varnothing 300



1:15 A4 mm

Protection Mark
according to ISO16016

General tolerances
DIN ISO 2768-c

MPC450ECT30



ruck Ventilatoren
Max-Planck-Str. 5
D-97944 Boxberg

Created a.ganea
Drawn a.ganea
Released a.ganea
Disabled

25.10.2018
25.10.2018
25.10.2018

149331 00

