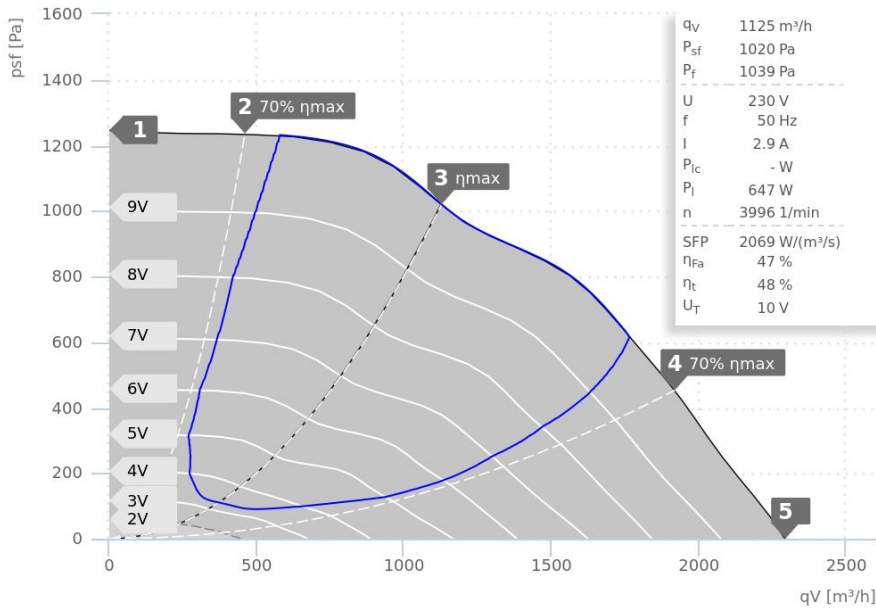


DATA SHEET

ruck.eu
VENTILATOREN

MPC 225 EC TI 30 | 146152



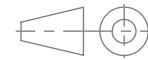
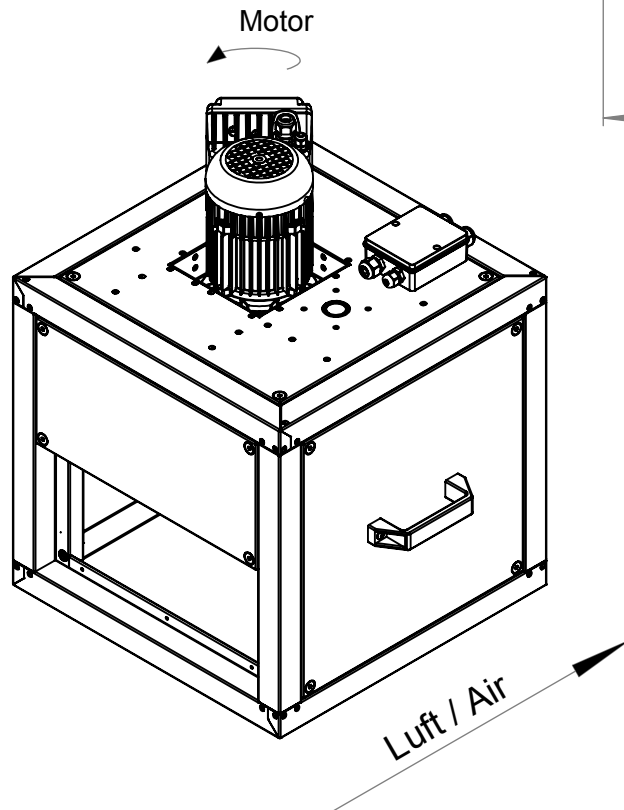
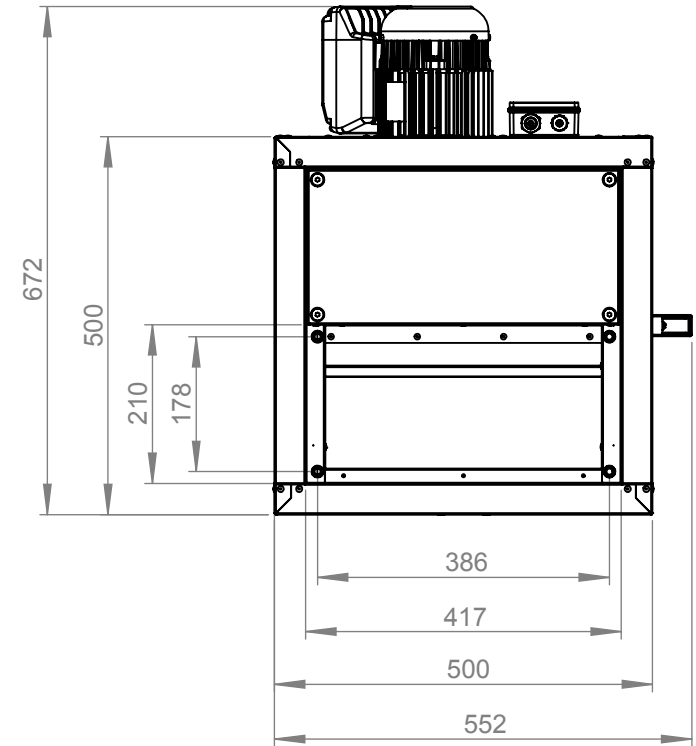
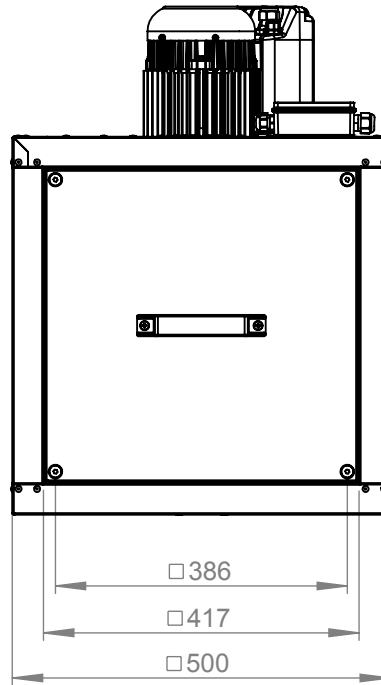
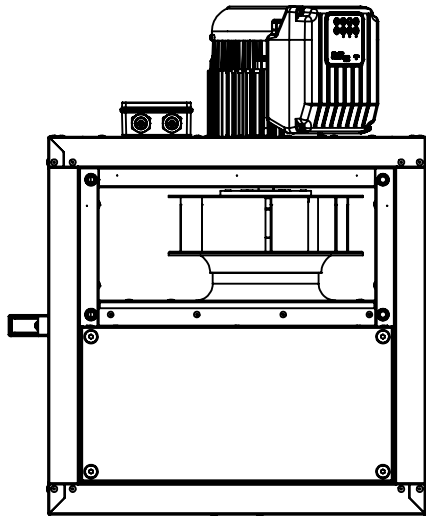
- Max. medium temperature 120°C
- EC-motor outside of air stream
- Galvanized sheet steel double wall casing
- Linear airflow
- Speed controllable
- With condensate and grease drain
- 30 mm insulation

— ErP compliant range

Operating Point		1	2	3	4	5
Current I	A	1,4	2,1	2,9	3,2	2,5
Power consumption P_1	W	296	467	649	708	556
Rotation speed n	1/min	3993	3998	4000	4005	4002
SWL inlet L_{WA5}	dB(A)	82	83	83	88	90
SWL outlet L_{WA6}	dB(A)	88	89	91	96	98
SWL housing break out L_{WA2}	dB(A)	79	79	78	79	80

Sound power (L_W) dB(A)		Medium Frequency Band								
		Σ	63	125	250	500	1k	2k	4k	8k
Inlet	L_{WA5}	83	52	67	66	79	77	77	73	67
Outlet	L_{WA6}	91	48	66	72	90	82	81	76	70
Housing radiation	L_{WA2}	78	51	55	57	64	71	76	71	65

MPC 225 EC TI 30 146152	
Voltage U_N	230 V 1~
Current I_{max}	3,5 A
Ambient temperature t_A	50 °C
Conveyed medium temperature t_M	120 °C
Speed Control	0-10V
Motor protection	TEC
Insulation class motor	F
Weight	37,7 kg
Number of poles	-
IP motor	IP54
IP terminal box	-
IP complete unit	-
Min. operating temperature	-20 °C



Protection Mark
according to ISO16016

Created a.ganea
Drawn a.ganea
Released d.hancu
Disabled

1:10 A4 mm

General tolerances
DIN ISO 2768-c

MPC225ECT130

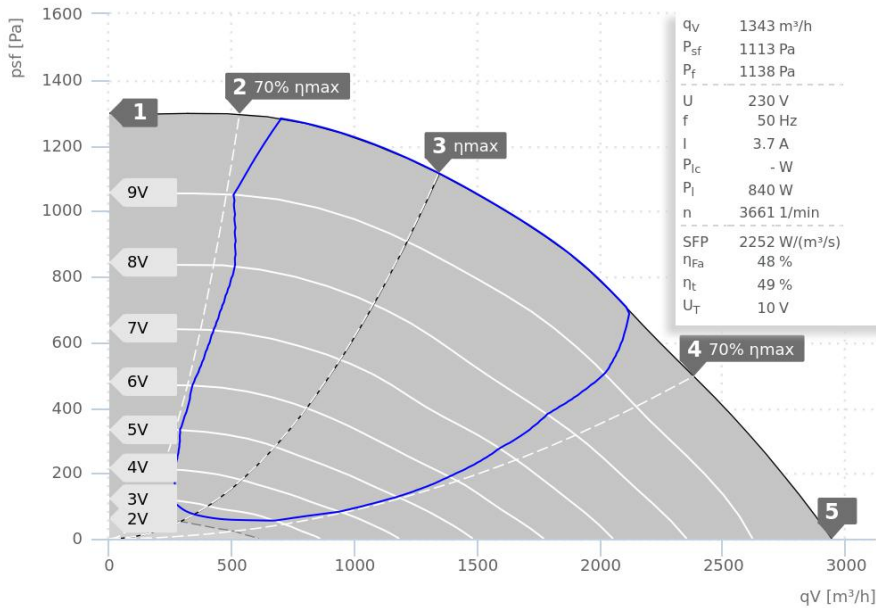
146152 01



DATA SHEET

ruck.eu
VENTILATOREN

MPC 250 EC TI 30 | 146175



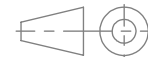
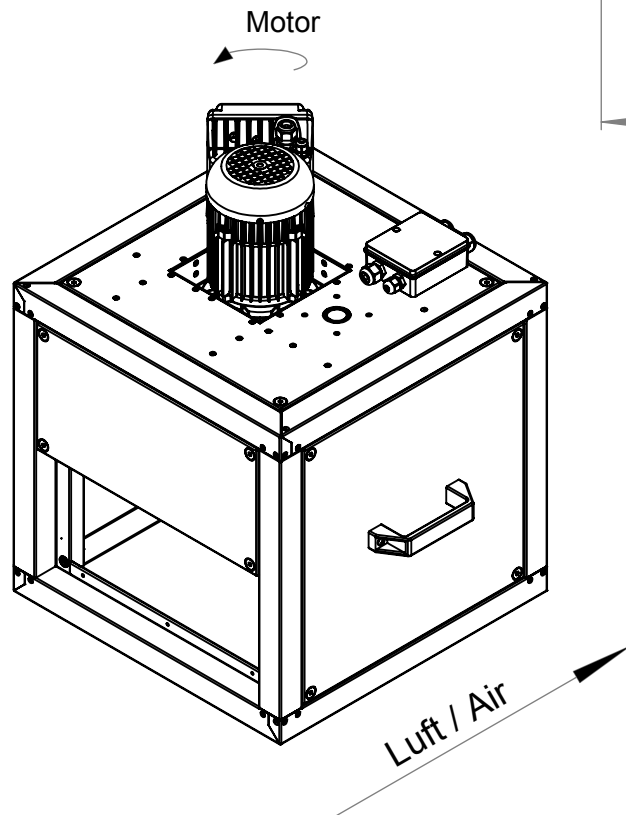
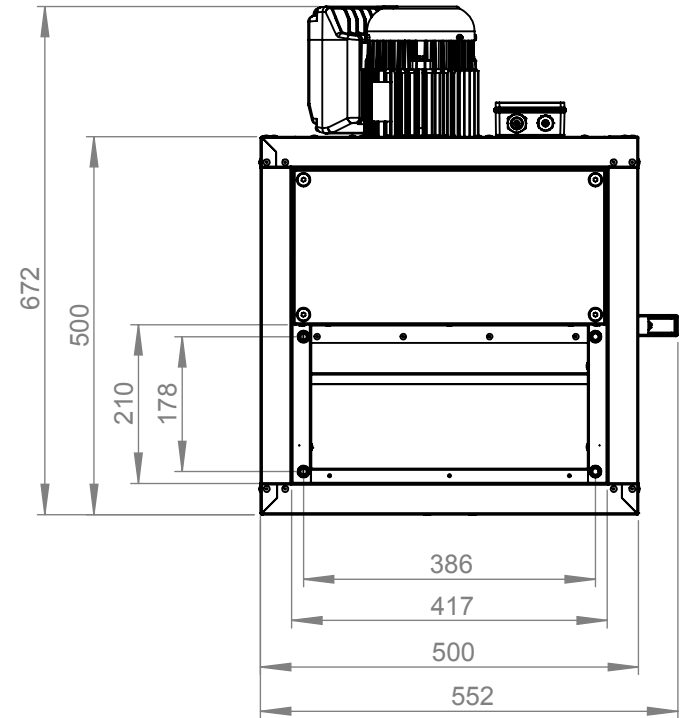
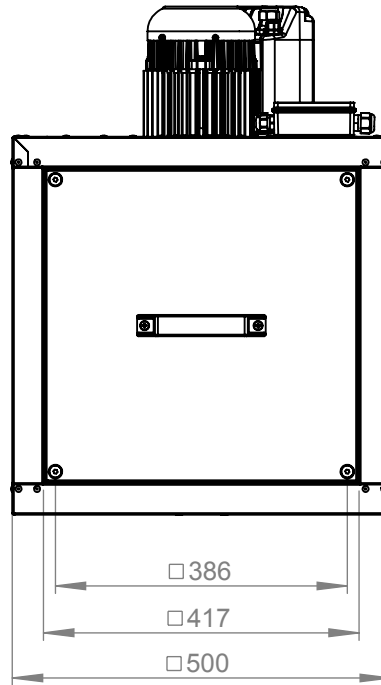
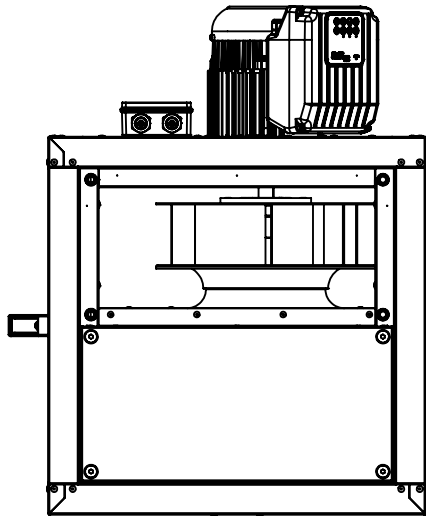
- Max. medium temperature 120°C
- EC-motor outside of air stream
- Galvanized sheet steel double wall casing
- Linear airflow
- Speed controllable
- With condensate and grease drain
- 30 mm insulation

— ErP compliant range

Operating Point		1	2	3	4	5
Current I	A	1,7	2,5	3,7	4,2	3,5
Power consumption P _i	W	363	552	840	945	779
Rotation speed n	1/min	3663	3663	3661	3662	3660
SWL inlet L _{WA5}	dB(A)	82	82	80	87	90
SWL outlet L _{WA6}	dB(A)	88	90	91	97	100
SWL housing break out L _{WA2}	dB(A)	77	77	77	78	79

Sound power (L _W) dB(A)		Medium Frequency Band								
		Σ	63	125	250	500	1k	2k	4k	8k
Inlet	L _{WA5}	80	52	65	67	76	74	73	71	65
Outlet	L _{WA6}	91	52	66	75	90	81	80	74	68
Housing radiation	L _{WA2}	77	50	55	58	66	70	74	69	63

MPC 250 EC TI 30 146175	
Voltage U _N	230 V 1~
Current I _{max}	4,4 A
Ambient temperature t _A	50 °C
Conveyed medium temperature t _M	120 °C
Speed Control	0-10V
Motor protection	TEC
Insulation class motor	F
Weight	38,1 kg
Number of poles	-
IP motor	IP54
IP terminal box	-
IP complete unit	-
Min. operating temperature	-20 °C



Protection Mark
according to ISO16016
Created s.pop
Drawn s.pop
Released d.hancu
Disabled

1:10 A4 mm

General tolerances
DIN ISO 2768-c

03.05.2018
03.05.2018
08.02.2019

MPC250ECT130

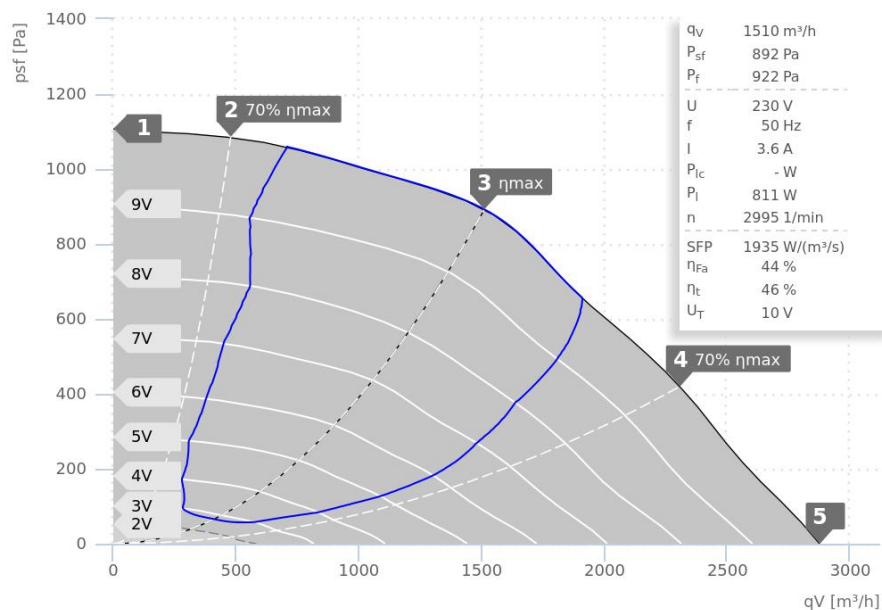
146175 01



DATA SHEET

ruck.eu
VENTILATOREN

MPC 280 EC TI 30 | 146521



— ErP compliant range

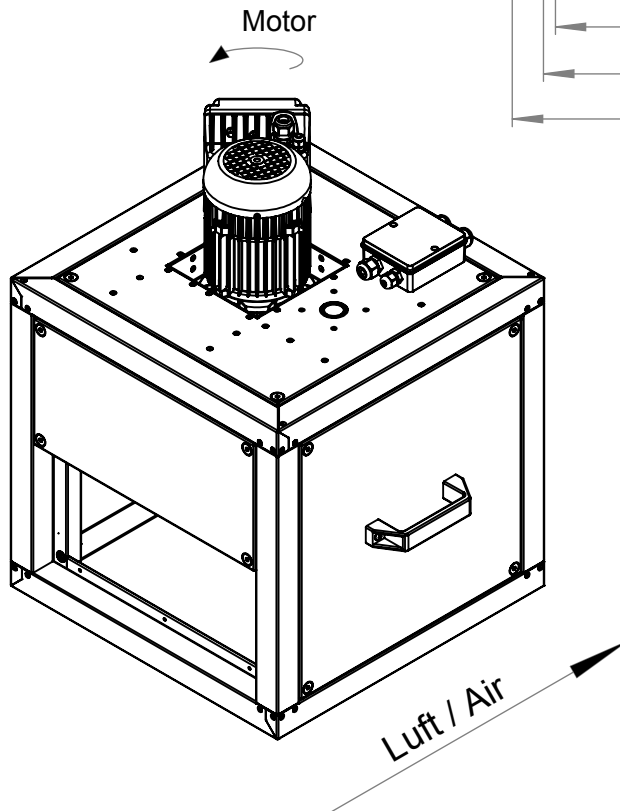
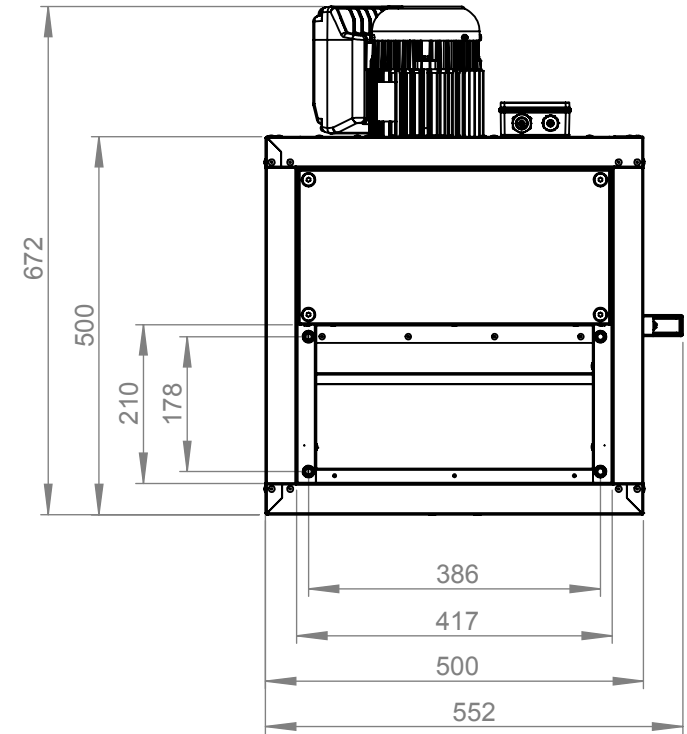
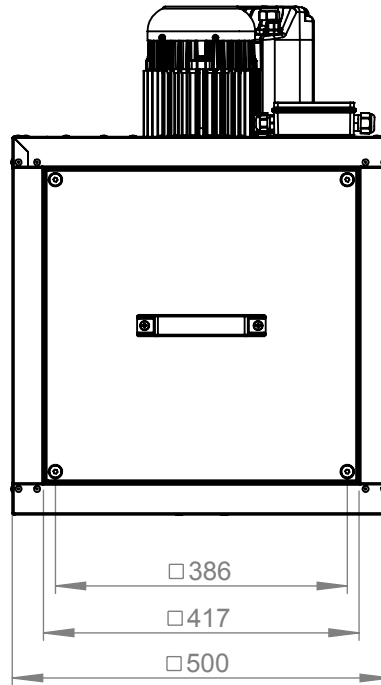
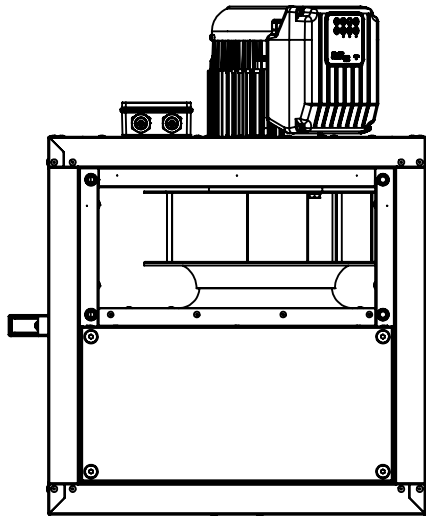


- Max. medium temperature 120°C
- EC-motor outside of air stream
- Galvanized sheet steel double wall casing
- Linear airflow
- Speed controllable
- With condensate and grease drain
- 30 mm insulation

Operating Point		1	2	3	4	5
Current I	A	1,5	2,0	3,6	3,7	3,2
Power consumption P _i	W	308	442	813	826	727
Rotation speed n	1/min	2994	2997	2997	2996	2995
SWL inlet L _{WA5}	dB(A)	80	80	81	85	88
SWL outlet L _{WA6}	dB(A)	86	87	89	93	97
SWL housing break out L _{WA2}	dB(A)	73	73	74	75	76

Sound power (L _W) dB(A)		Medium Frequency Band								
		Σ	63	125	250	500	1k	2k	4k	8k
Inlet	L _{WA5}	81	57	66	73	73	74	75	72	65
Outlet	L _{WA6}	89	52	68	84	85	82	80	74	67
Housing radiation	L _{WA2}	74	53	55	61	62	69	70	64	57

MPC 280 EC TI 30 146521	
Voltage U _N	230 V 1~
Current I _{max}	3,8 A
Ambient temperature t _A	50 °C
Conveyed medium temperature t _M	120 °C
Speed Control	0-10V
Motor protection	TEC
Insulation class motor	F
Weight	38,8 kg
Number of poles	-
IP motor	IP54
IP terminal box	-
IP complete unit	-
Min. operating temperature	-20 °C



ruck^{eu}
VENTILATOREN
ruck Ventilatoren
Max-Planck-Str. 5
D-97944 Boxberg



Protection Mark
according to ISO16016
Created s.pop
Drawn s.pop
Released d.hancu
Disabled

1:10 A4 mm

General tolerances
DIN ISO 2768-c

MPC280ECT130

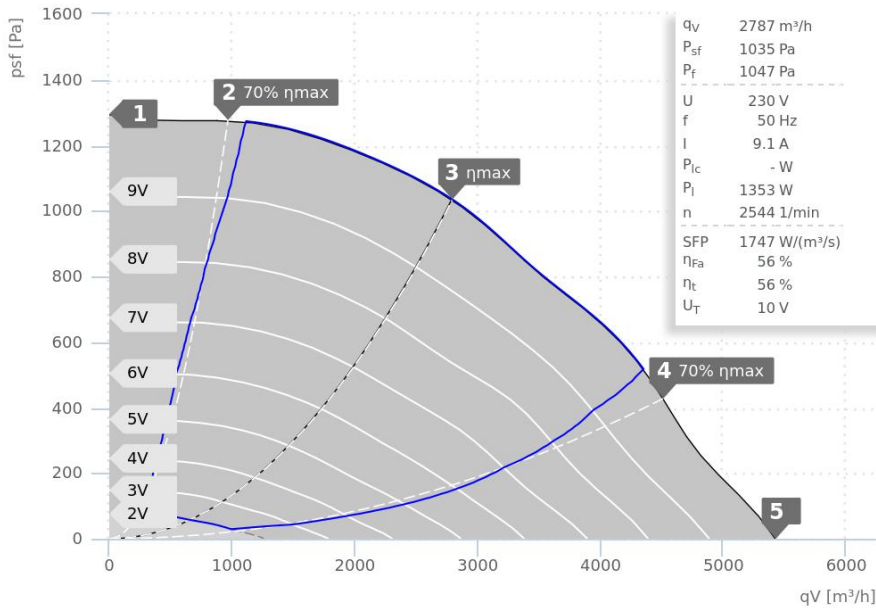
146521 01

VENTAS
VENTILATORER

DATA SHEET

ruck.eu
VENTILATOREN

MPC 355 EC TI 30 | 149343



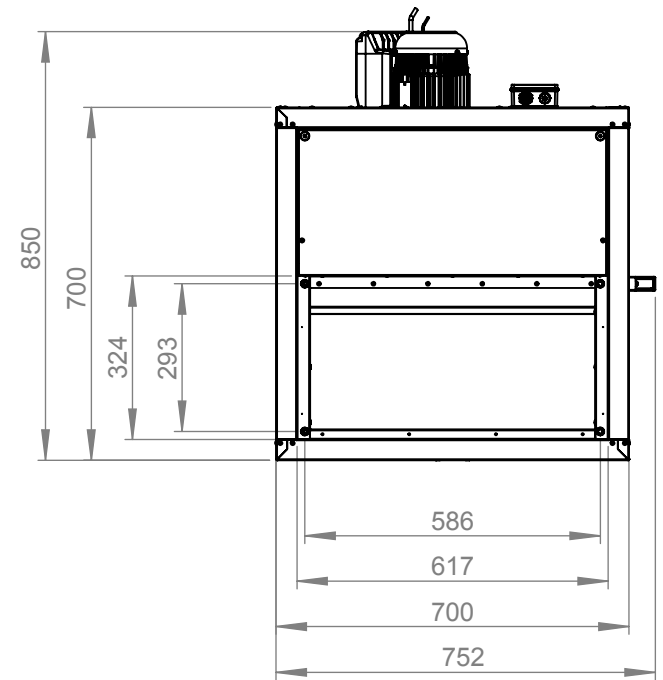
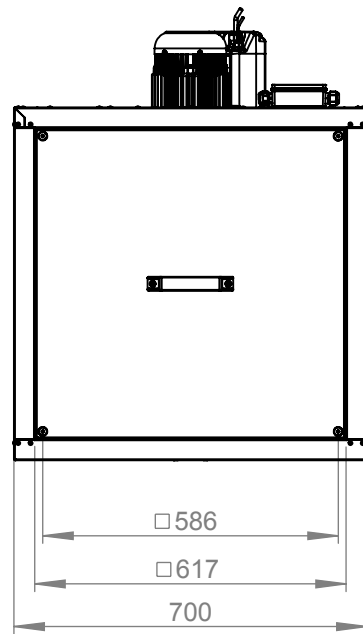
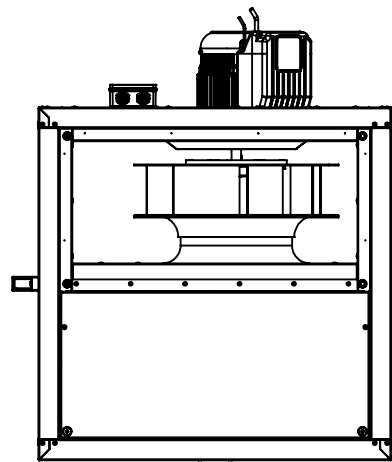
- Max. medium temperature 120°C
- EC-motor outside of air stream
- Galvanized sheet steel double wall casing
- Linear airflow
- Speed controllable
- With condensate and grease drain
- 30 mm insulation

— ErP compliant range

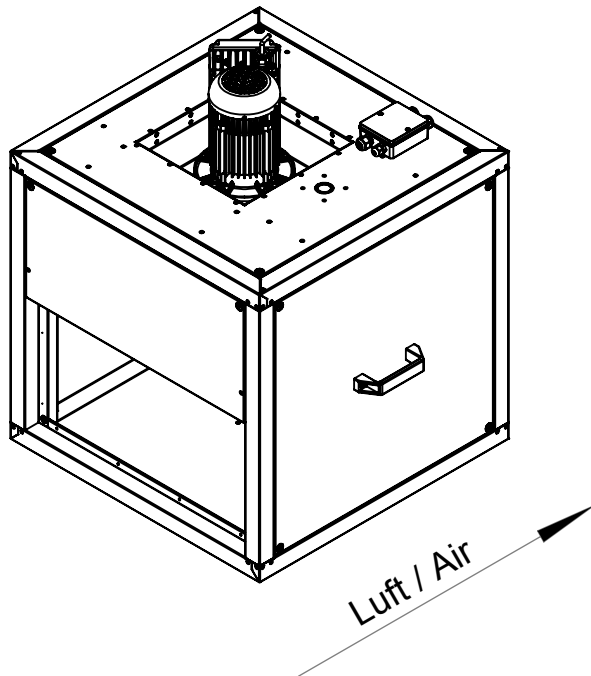
Operating Point		1	2	3	4	5
Current I	A	3,8	6,0	9,1	8,7	7,2
Power consumption P_i	W	496	837	1358	1291	1047
Rotation speed n	1/min	2543	2549	2547	2547	2548
SWL inlet L_{WA5}	dB(A)	83	81	84	88	91
SWL outlet L_{WA6}	dB(A)	88	88	91	96	97
SWL housing break out L_{WA2}	dB(A)	75	74	74	77	78

Sound power (L_W) dB(A)		Medium Frequency Band								
		Σ	63	125	250	500	1k	2k	4k	8k
Inlet	L_{WA5}	84	54	63	74	78	77	77	74	70
Outlet	L_{WA6}	91	52	66	87	83	84	83	80	75
Housing radiation	L_{WA2}	74	52	60	69	63	69	68	62	58

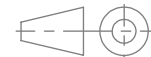
MPC 355 EC TI 30 149343	
Voltage U_N	230 V 1~
Current I_{max}	10,0 A
Ambient temperature t_A	50 °C
Conveyed medium temperature t_M	120 °C
Speed Control	0-10V
Motor protection	TEC
Insulation class motor	F
Weight	72,5 kg
Number of poles	-
IP motor	IP54
IP terminal box	-
IP complete unit	-
Min. operating temperature	-20 °C



Motor
↻



ruck^{eu}
VENTILATOREN
ruck Ventilatoren
Max-Planck-Str. 5
D-97944 Boxberg



1:15 A4 mm

Protection Mark
according to ISO16016

General tolerances
DIN ISO 2768-c

Created s.pop
Drawn s.pop
Released d.hancu
Disabled

25.10.2018
25.10.2018
08.02.2019

MPC355ECT130

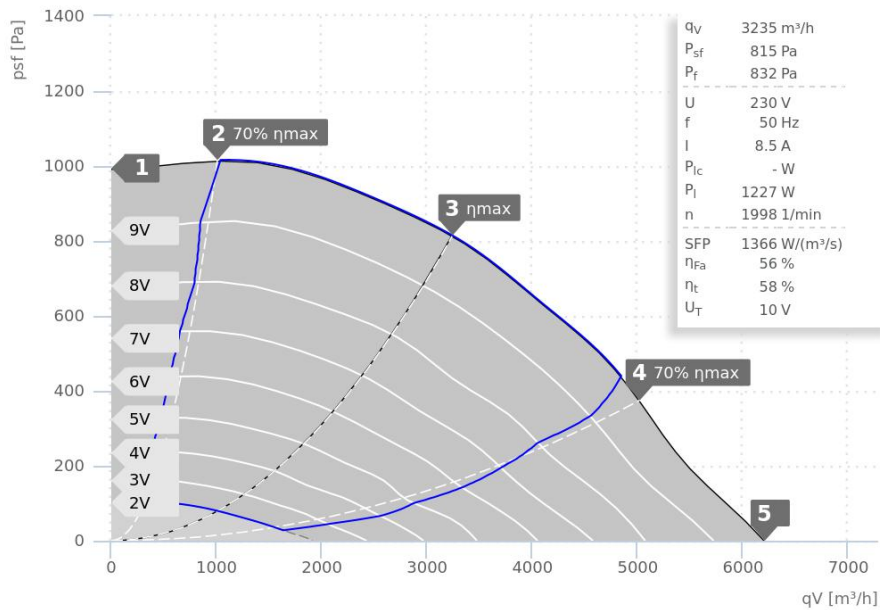
149343 01

VENTAS
VENTILATORER

DATA SHEET

ruck.eu
VENTILATOREN

MPC 400 EC TI 30 | 149406



— ErP compliant range

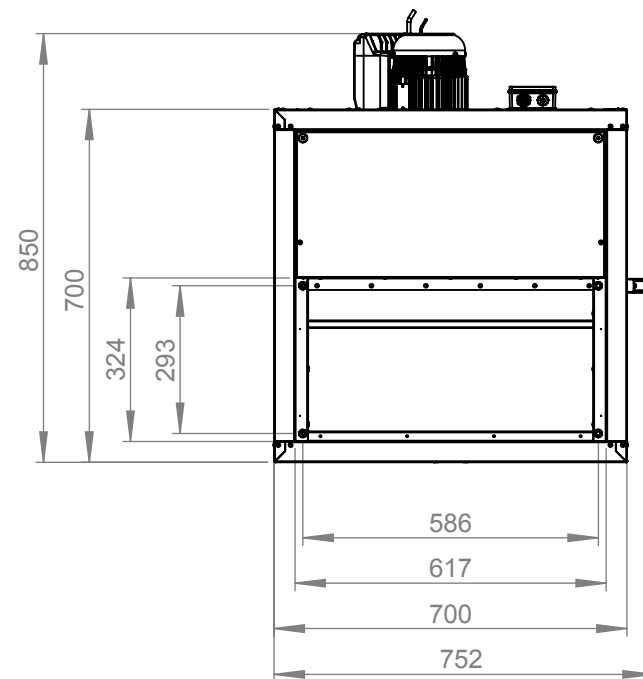
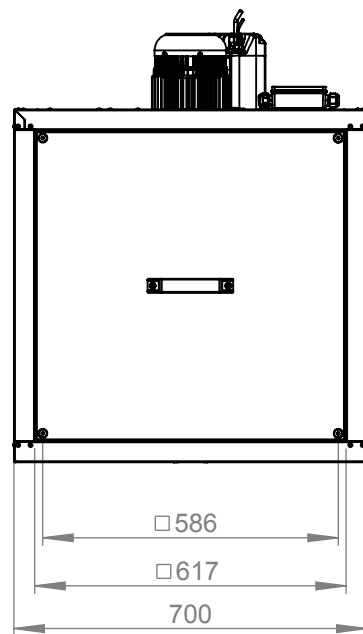
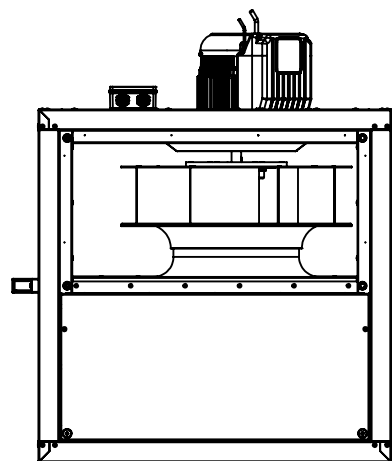


- Max. medium temperature 120°C
- EC-motor outside of air stream
- Galvanized sheet steel double wall casing
- Linear airflow
- Speed controllable
- With condensate and grease drain
- 30 mm insulation

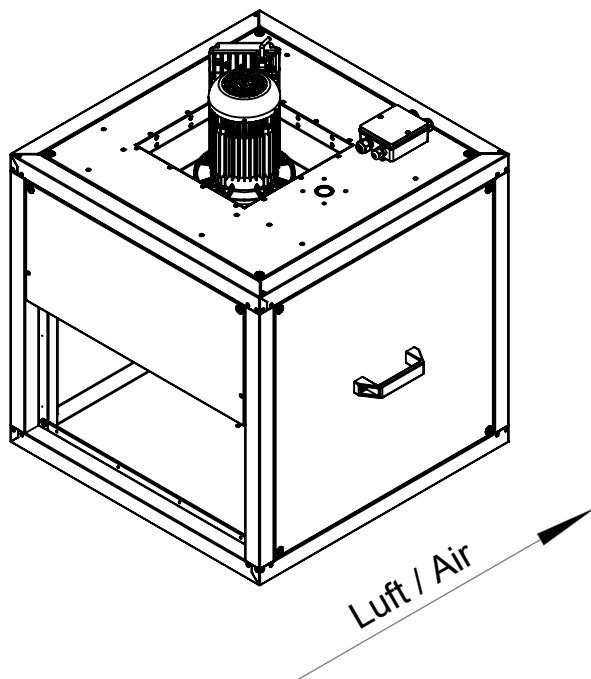
Operating Point		1	2	3	4	5
Current I	A	3,4	5,0	8,5	8,6	7,2
Power consumption P_i	W	431	677	1234	1244	1024
Rotation speed n	1/min	1991	2002	2001	2001	2000
SWL inlet L_{WA5}	dB(A)	79	78	80	85	88
SWL outlet L_{WA6}	dB(A)	85	85	86	92	95
SWL housing break out L_{WA2}	dB(A)	70	70	70	72	74

Sound power (L_W) dB(A)		Medium Frequency Band								
		Σ	63	125	250	500	1k	2k	4k	8k
Inlet	L_{WA5}	80	51	65	69	74	74	73	69	64
Outlet	L_{WA6}	86	48	67	80	81	80	77	73	66
Housing radiation	L_{WA2}	70	50	55	62	65	65	61	56	52

MPC 400 EC TI 30 149406	
Voltage U_N	230 V 1~
Current I_{max}	9,5 A
Ambient temperature t_A	50 °C
Conveyed medium temperature t_M	120 °C
Speed Control	0-10V
Motor protection	TEC
Insulation class motor	F
Weight	74,0 kg
Number of poles	-
IP motor	IP54
IP terminal box	-
IP complete unit	-
Min. operating temperature	-20 °C



Motor



ruck Ventilatoren
Max-Planck-Str. 5
D-97944 Boxberg



Protection Mark
according to ISO 16016

Created s.pop
Drawn s.pop
Released d.hancu
Disabled

1:15 A4 mm

General tolerances
DIN ISO 2768-c

MPC400ECT130

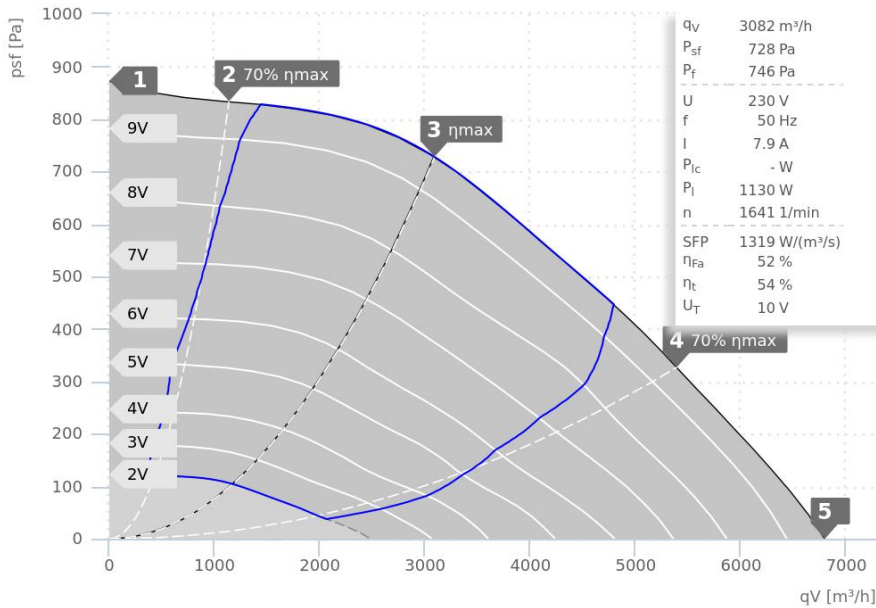
149406 01



DATA SHEET

ruck.eu
VENTILATOREN

MPC 450 EC TI 30 | 149413



— ErP compliant range

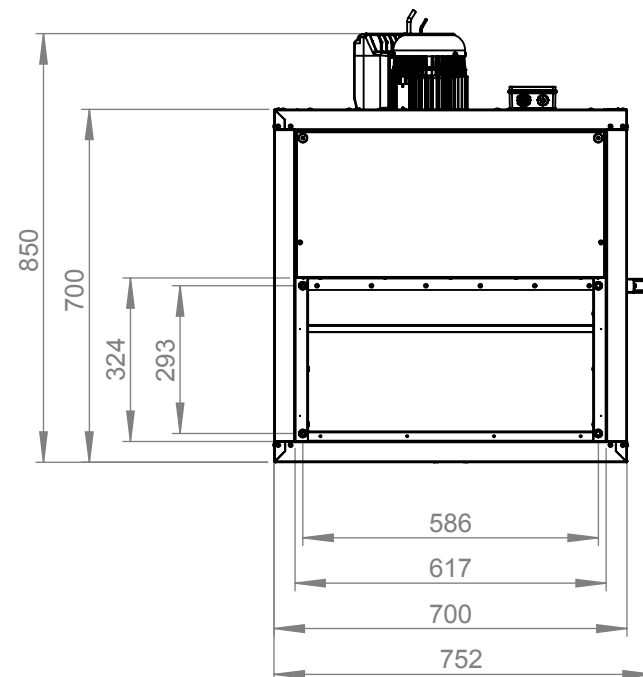
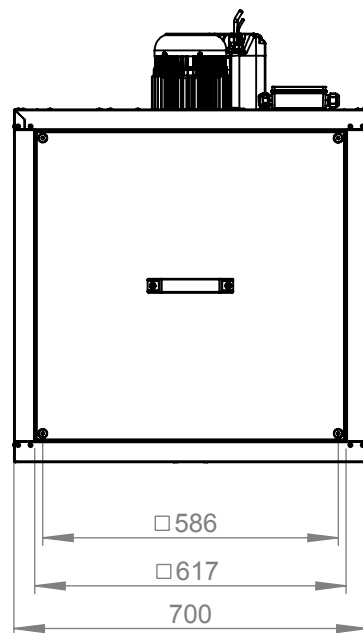
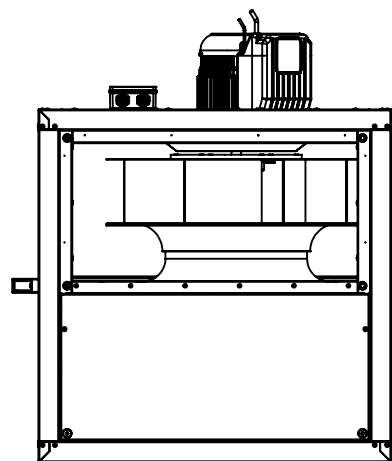


- Max. medium temperature 120°C
- EC-motor outside of air stream
- Galvanized sheet steel double wall casing
- Linear airflow
- Speed controllable
- With condensate and grease drain
- 30 mm insulation

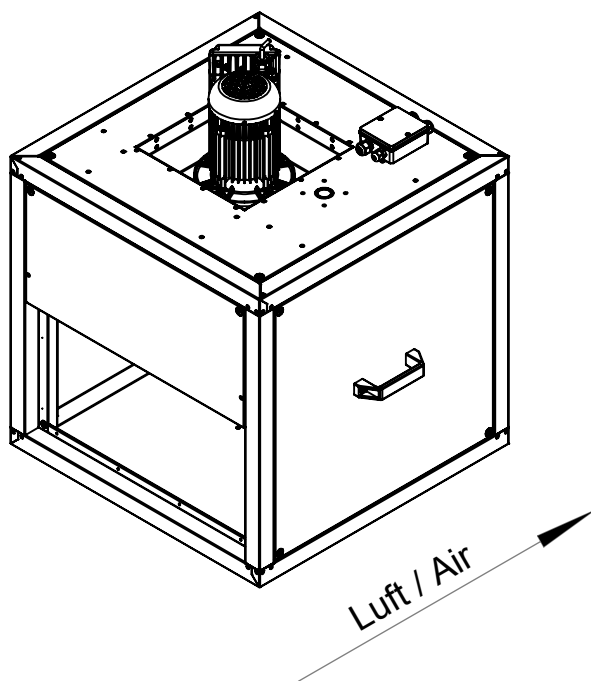
Operating Point		1	2	3	4	5
Current I	A	3,1	5,0	7,9	8,6	7,7
Power consumption P _i	W	393	684	1132	1265	1114
Rotation speed n	1/min	1654	1641	1642	1641	1640
SWL inlet L _{WA5}	dB(A)	78	78	79	85	88
SWL outlet L _{WA6}	dB(A)	83	83	84	91	94
SWL housing break out L _{WA2}	dB(A)	66	67	66	71	74

Sound power (L _w) dB(A)		Medium Frequency Band								
		Σ	63	125	250	500	1k	2k	4k	8k
Inlet	L _{WA5}	79	53	67	71	72	73	72	67	65
Outlet	L _{WA6}	84	49	71	77	79	79	76	71	65
Housing radiation	L _{WA2}	66	46	58	61	60	59	55	51	45

MPC 450 EC TI 30 149413	
Voltage U _N	230 V 1~
Current I _{max}	9,3 A
Ambient temperature t _A	50 °C
Conveyed medium temperature t _M	120 °C
Speed Control	0-10V
Motor protection	TEC
Insulation class motor	F
Weight	82,5 kg
Number of poles	-
IP motor	IP54
IP terminal box	-
IP complete unit	-
Min. operating temperature	-20 °C



Motor



ruck Ventilatoren
Max-Planck-Str. 5
D-97944 Boxberg



1:15 A4 mm

Protection Mark
according to ISO16016

General tolerances
DIN ISO 2768-c

Created s.pop
Drawn s.pop
Released d.hancu
Disabled

29.10.2018
29.10.2018
08.02.2019

MPC450ECT130

149413 01

