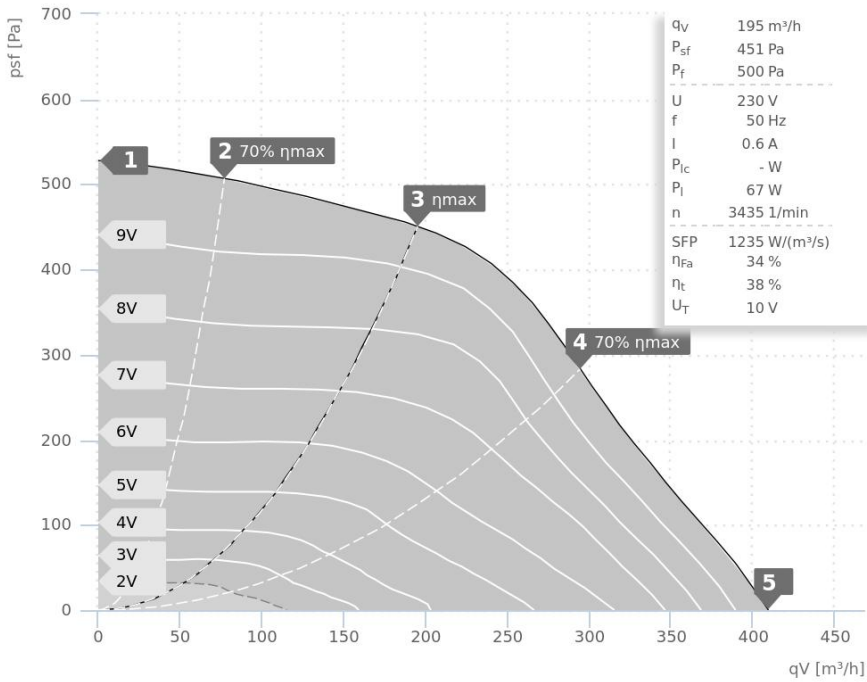


DATA SHEET

TE 120 ECA 135267 | 135267

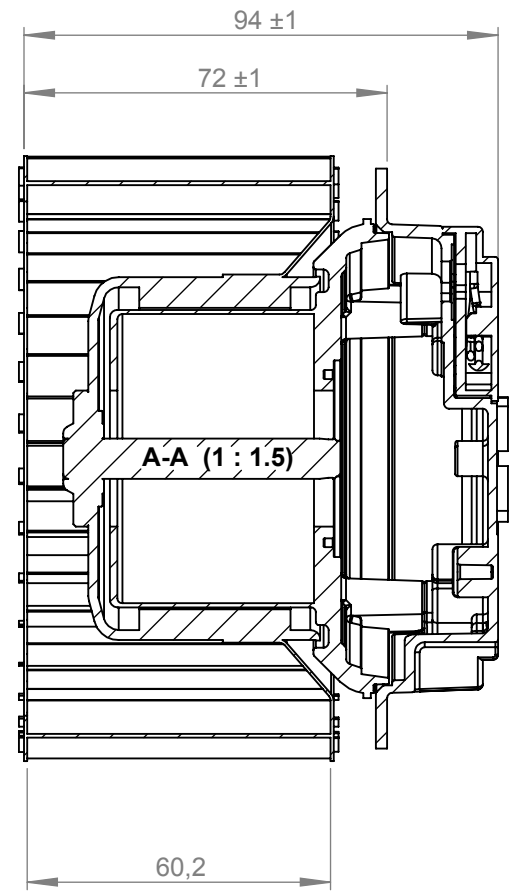
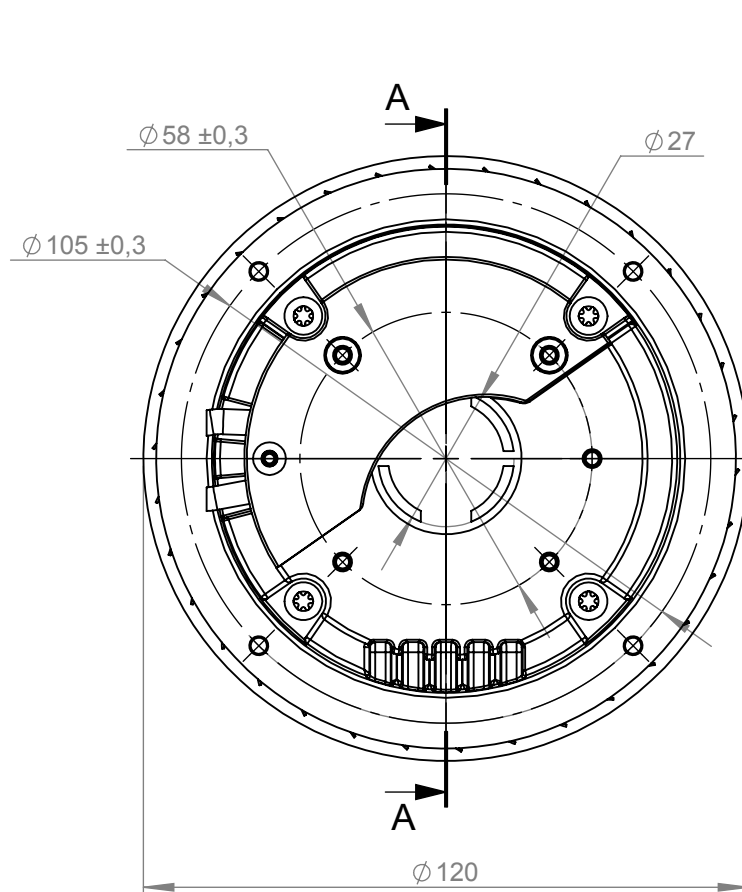
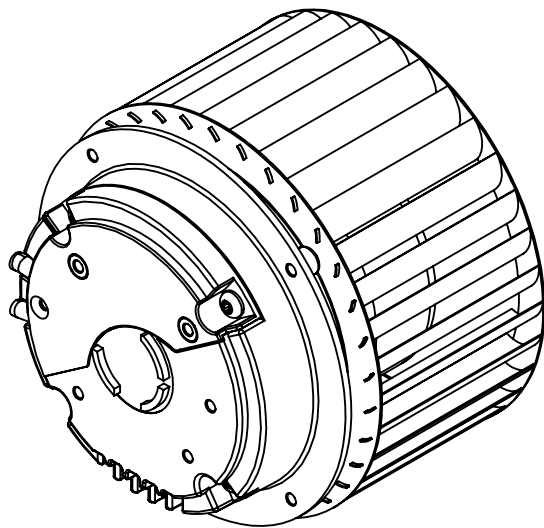


- Forward curved centrifugal fan
- EC motor
- Integrated electronic
- Speed controllable
- Internal electronic temperature monitoring
- Galvanized steel impeller
- The technical data were determined in the casing with inlet nozzle (GE131051).

Operating Point		1	2	3	4	5
Current I	A	0,4	0,4	0,6	0,7	0,9
Power consumption P_1	W	35	43	67	90	110
Rotation speed n	1/min	3590	3583	3435	3198	2920
SWL inlet L_{WA5}	dB(A)	-	-	-	-	-
SWL outlet L_{WA6}	dB(A)	-	-	-	-	-
SWL housing break out L_{WA2}	dB(A)	-	-	-	-	-

Sound power (L_W) dB(A)		Medium Frequency Band								
		Σ	63	125	250	500	1k	2k	4k	8k
Inlet	L_{WA5}	-	-	-	-	-	-	-	-	-
Outlet	L_{WA6}	-	-	-	-	-	-	-	-	-
Housing radiation	L_{WA2}	-	-	-	-	-	-	-	-	-

TE 120 ECA 135267 135267	
Voltage U_N	230 V 1~
Current I_{max}	0,9 A
Ambient temperature t_A	60 °C
Conveyed medium temperature t_M	60 °C
Speed Control	0-10V
Motor protection	TEC
Insulation class motor	F
Weight	1,3 kg
Number of poles	-
IP motor	IP54
IP terminal box	-
IP complete unit	IPX4
Min. operating temperature	-30 °C



1:2 A4 mm



ruck Ventilatoren
Max-Planck-Str. 5
D-97944 Boxberg

Protection Mark
according to ISO16016

Drawn: d.andree
Created: d.andree
Changed: d.andree

General tolerances
DIN ISO 2768-c

17.11.2015
17.11.2015
17.11.15

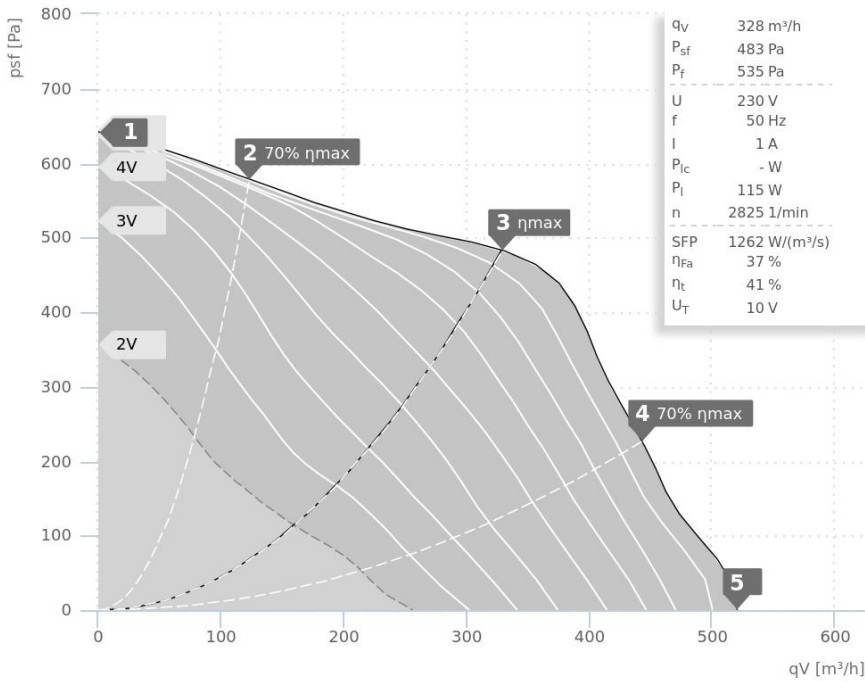
TE120ECA135267

135267 00



DATA SHEET

TE 140 ECA 135268 | 135268

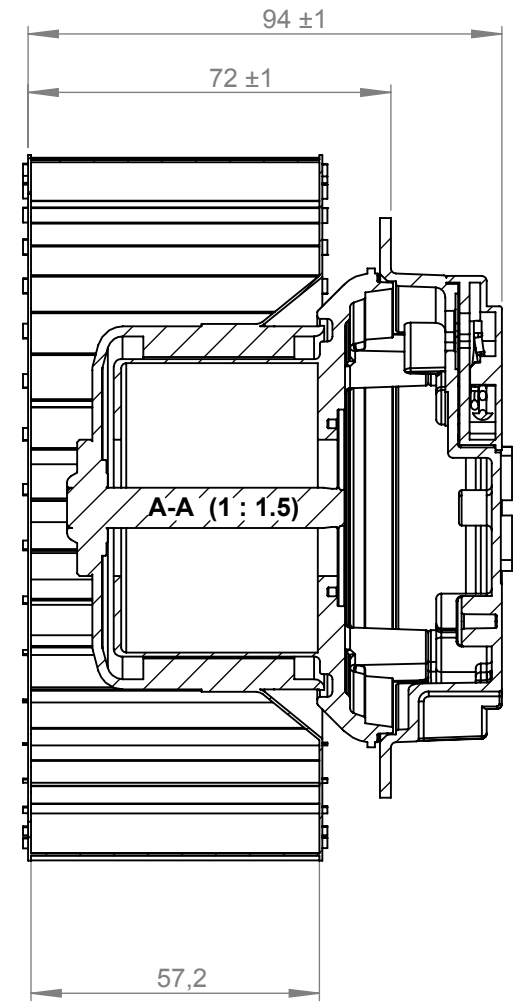
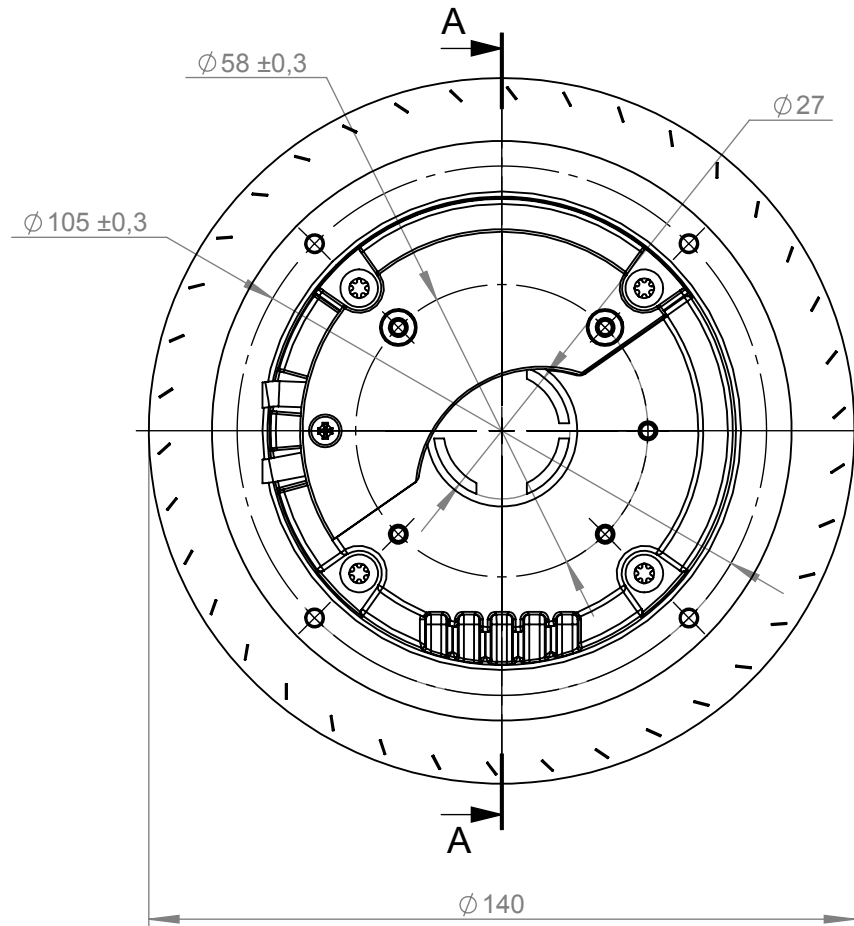
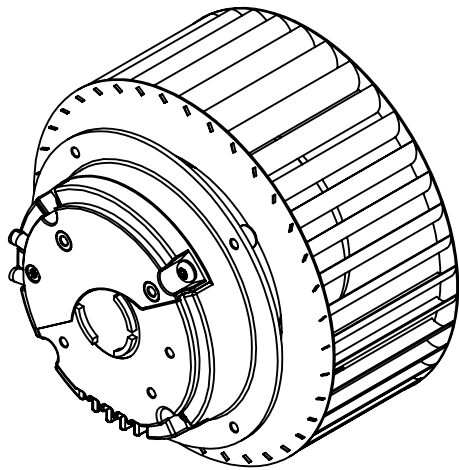


- Forward curved centrifugal fan
- EC motor
- Integrated electronic
- Speed controllable
- Internal electronic temperature monitoring
- Galvanized steel impeller
- The technical data were determined in the casing with inlet nozzle (GE130958).

Operating Point		1	2	3	4	5
Current I	A	0,5	0,7	1,0	0,9	0,7
Power consumption P_i	W	55	75	115	103	91
Rotation speed n	1/min	3311	3188	2824	2259	1906
SWL inlet L_{WA5}	dB(A)	-	-	-	-	-
SWL outlet L_{WA6}	dB(A)	-	-	-	-	-
SWL housing break out L_{WA2}	dB(A)	-	-	-	-	-

Sound power (L_W) dB(A)		Medium Frequency Band								
		Σ	63	125	250	500	1k	2k	4k	8k
Inlet	L_{WA5}	-	-	-	-	-	-	-	-	-
Outlet	L_{WA6}	-	-	-	-	-	-	-	-	-
Housing radiation	L_{WA2}	-	-	-	-	-	-	-	-	-

TE 140 ECA 135268 135268	
Voltage U_N	230 V 1~
Current I_{max}	1,1 A
Ambient temperature t_A	60 °C
Conveyed medium temperature t_M	60 °C
Speed Control	0-10V
Motor protection	TEC
Insulation class motor	F
Weight	1,3 kg
Number of poles	-
IP motor	IP54
IP terminal box	-
IP complete unit	IPX4
Min. operating temperature	-30 °C



ruck Ventilatoren
Max-Planck-Str. 5
D-97944 Boxberg



1:2 A4 mm

Protection Mark
according to ISO16016

General tolerances
DIN ISO 2768-c

TE140ECA135268

Drawn: d.andree
Created: d.andree
Changed: d.andree

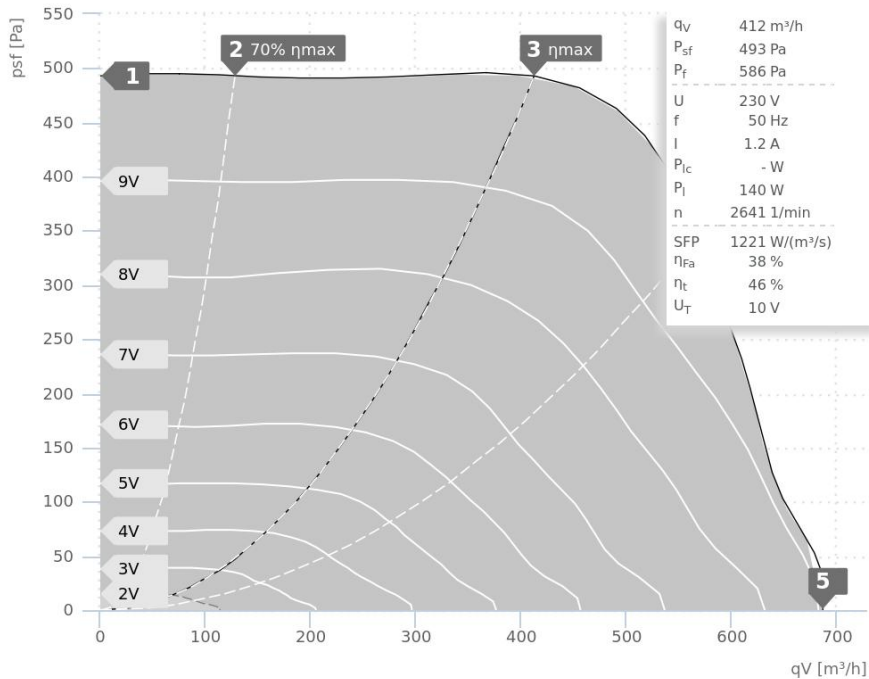
17.11.2015
17.11.2015
17.11.15

135268 00



DATA SHEET

TE 160 ECA 135269 | 135269

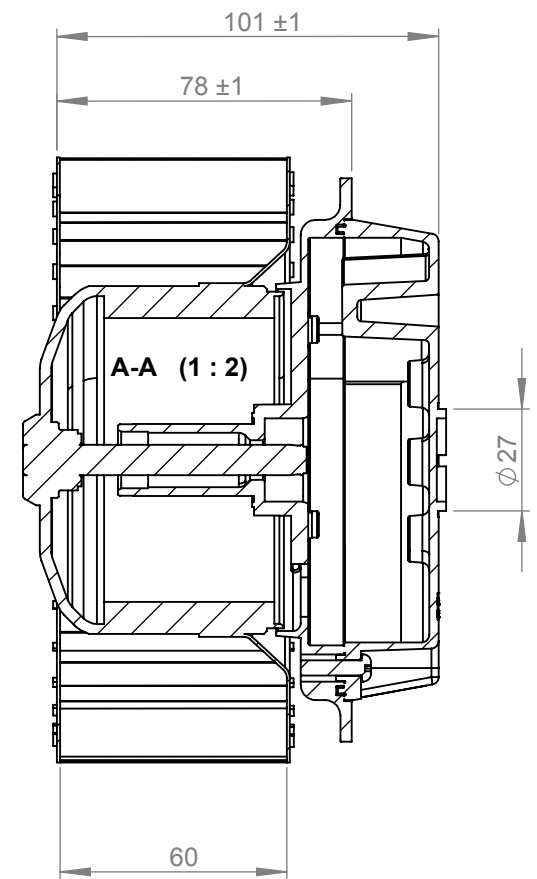
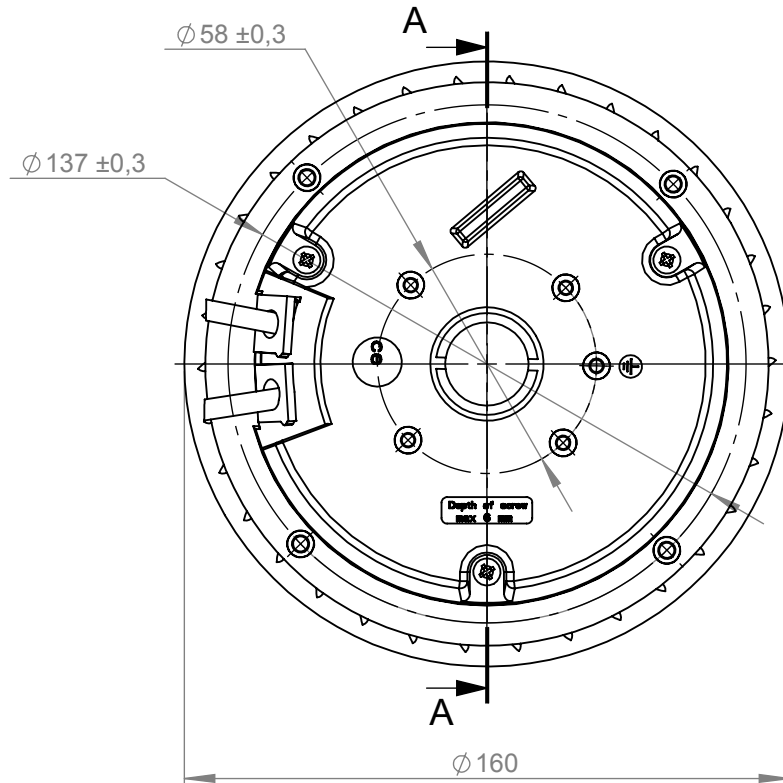
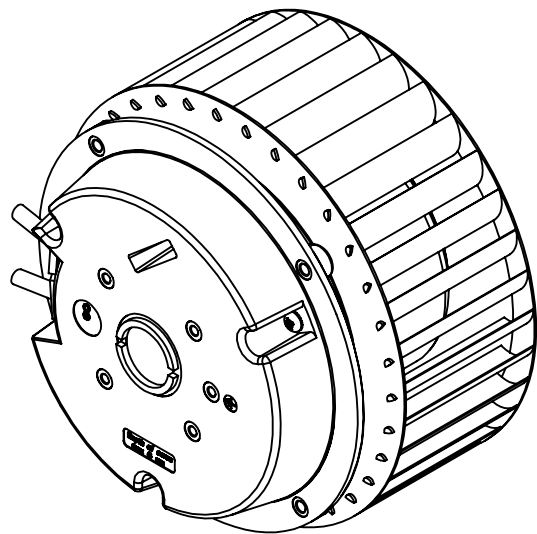


- Forward curved centrifugal fan
- EC motor
- Integrated electronic
- Speed controllable
- Internal electronic temperature monitoring
- Galvanized steel impeller
- The technical data were determined in the casing with inlet nozzle (GE13002).

Operating Point		1	2	3	4	5
Current I	A	0,4	0,6	1,2	1,5	1,5
Power consumption P_1	W	45	63	140	192	188
Rotation speed n	1/min	2610	2648	2641	2588	2288
SWL inlet L_{WA5}	dB(A)	72	73	75	78	80
SWL outlet L_{WA6}	dB(A)	75	75	74	80	83
SWL housing break out L_{WA2}	dB(A)	-	-	-	-	-

Sound power (L_W) dB(A)		Medium Frequency Band								
		Σ	63	125	250	500	1k	2k	4k	8k
Inlet	L_{WA5}	-	-	-	-	-	-	-	-	-
Outlet	L_{WA6}	-	-	-	-	-	-	-	-	-
Housing radiation	L_{WA2}	-	-	-	-	-	-	-	-	-

TE 160 ECA 135269 135269	
Voltage U_N	230 V 1~
Current I_{max}	1,6 A
Ambient temperature t_A	70 °C
Conveyed medium temperature t_M	70 °C
Speed Control	0-10V
Motor protection	TEC
Insulation class motor	F
Weight	2,4 kg
Number of poles	-
IP motor	IP33
IP terminal box	-
IP complete unit	IPX4
Min. operating temperature	-30 °C



ruck Ventilatoren
 Max-Planck-Str. 5
 D-97944 Boxberg



1:2 A4 mm

Protection Mark
 according to ISO16016

General tolerances
 DIN ISO 2768-c

TE160ECA135269

Drawn: d.andree
 Created: d.andree
 Changed: d.andree

17.11.2015
 17.11.2015
 17.11.15

135269 00

