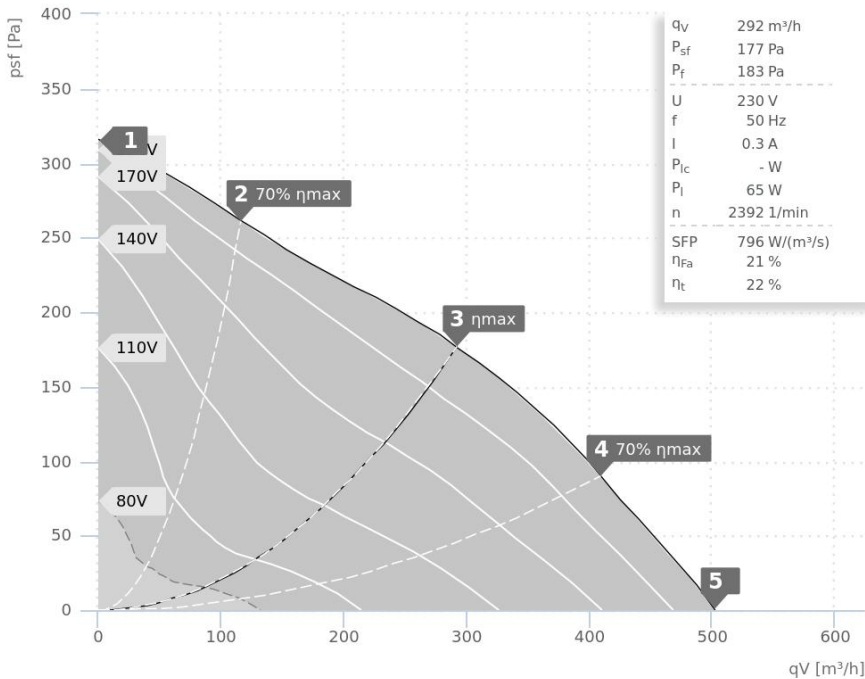


DATA SHEET

RE 190 2A 135246 | 135246

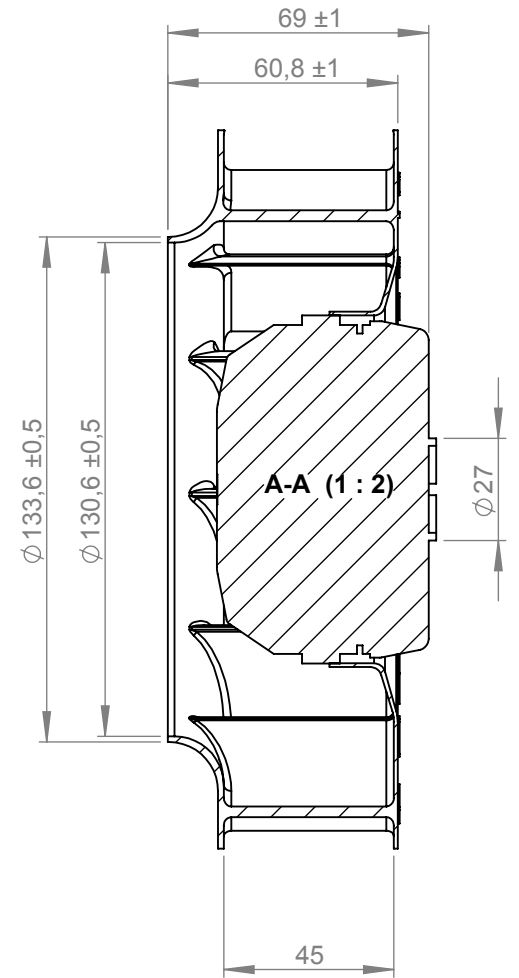
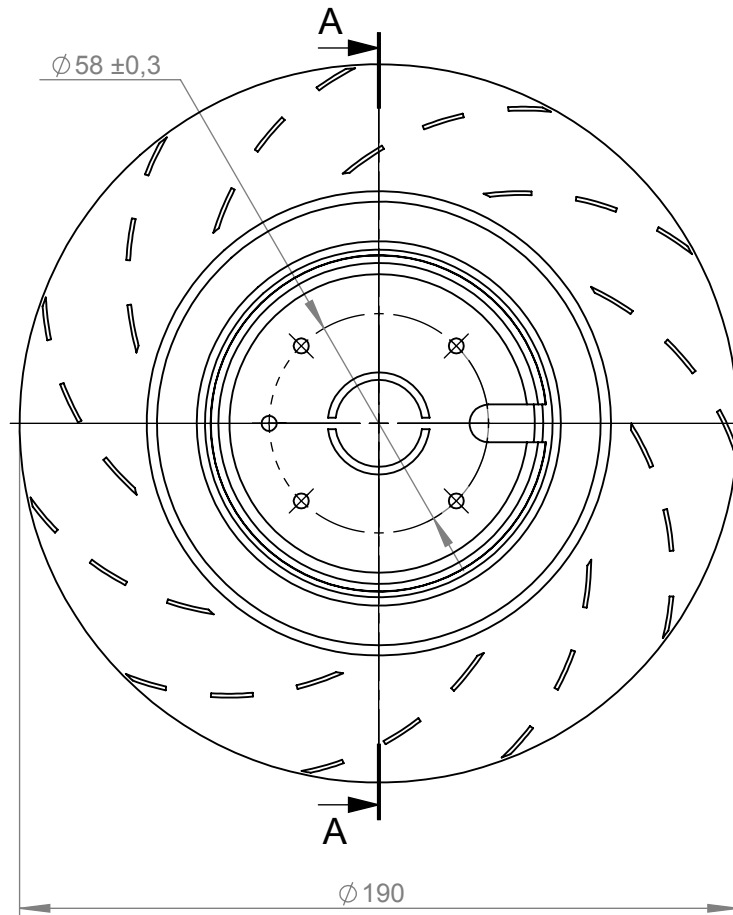
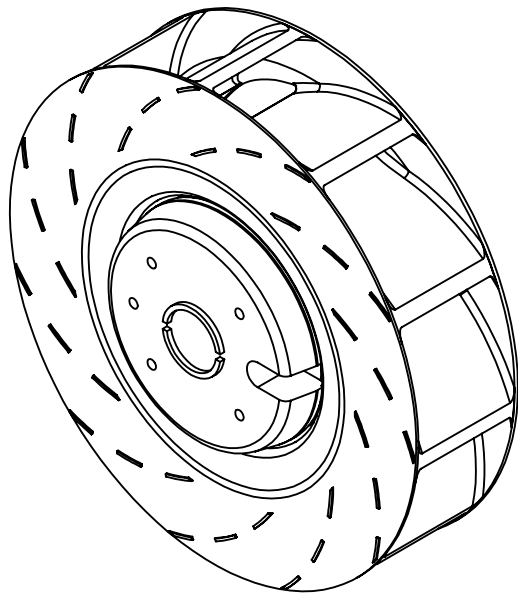


- Backward curved centrifugal fan
- Speed controllable
- Integrated thermostatic switch
- The technical data was ascertained with the inlet nozzle, included among the accessories.

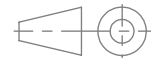
Operating Point		1	2	3	4	5
Current I	A	0,0	0,0	0,0	0,0	0,0
Power consumption P_1	W	-	-	-	-	-
Rotation speed n	1/min	-	-	-	-	-
SWL inlet L_{WA5}	dB(A)	-	-	-	-	-
SWL outlet L_{WA6}	dB(A)	-	-	-	-	-
SWL housing break out L_{WA2}	dB(A)	-	-	-	-	-

Sound power (L_W) dB(A)		Medium Frequency Band								
		Σ	63	125	250	500	1k	2k	4k	8k
Inlet	L_{WA5}	-	-	-	-	-	-	-	-	-
Outlet	L_{WA6}	-	-	-	-	-	-	-	-	-
Housing radiation	L_{WA2}	-	-	-	-	-	-	-	-	-

RE 190 2A 135246 135246	
Voltage U_N	230 V 1~
Current I_{max}	0,4 A
Ambient temperature t_A	65 °C
Conveyed medium temperature t_M	65 °C
Speed Control	V
Motor protection	TAI
Insulation class motor	B
Weight	1,3 kg
Number of poles	2
IP motor	IP33
IP terminal box	-
IP complete unit	IPX3
Min. operating temperature	-25 °C



ruck Ventilatoren
Max-Planck-Str. 5
D-97944 Boxberg



Protection Mark
according to ISO16016

Drawn: d.andree
Created: d.andree
Changed: d.andree

1:2 A4 mm

General tolerances
DIN ISO 2768-c

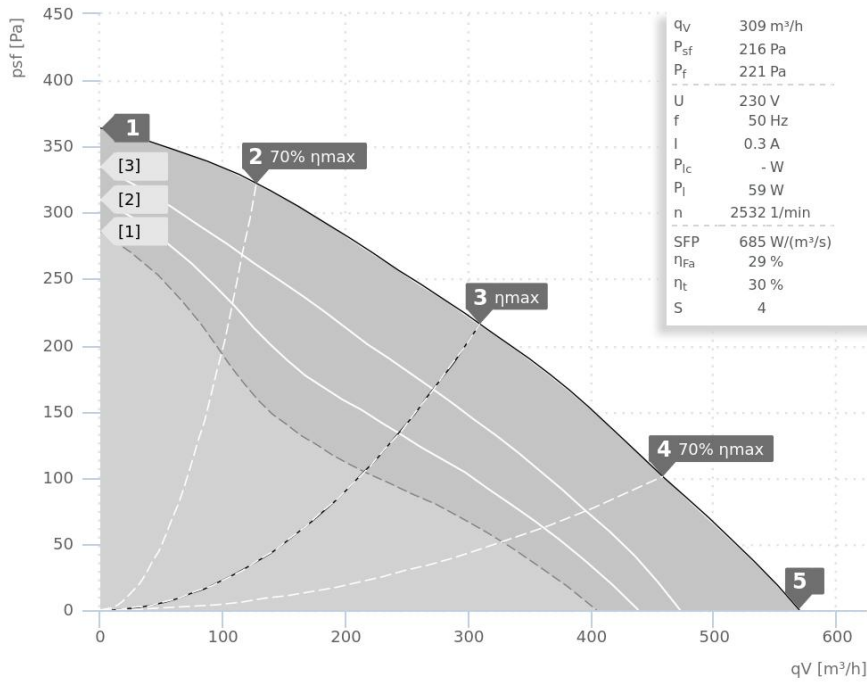
RE1902A135246

135246 00



DATA SHEET

RE 190 2A 135247 | 135247

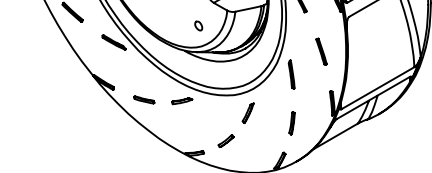
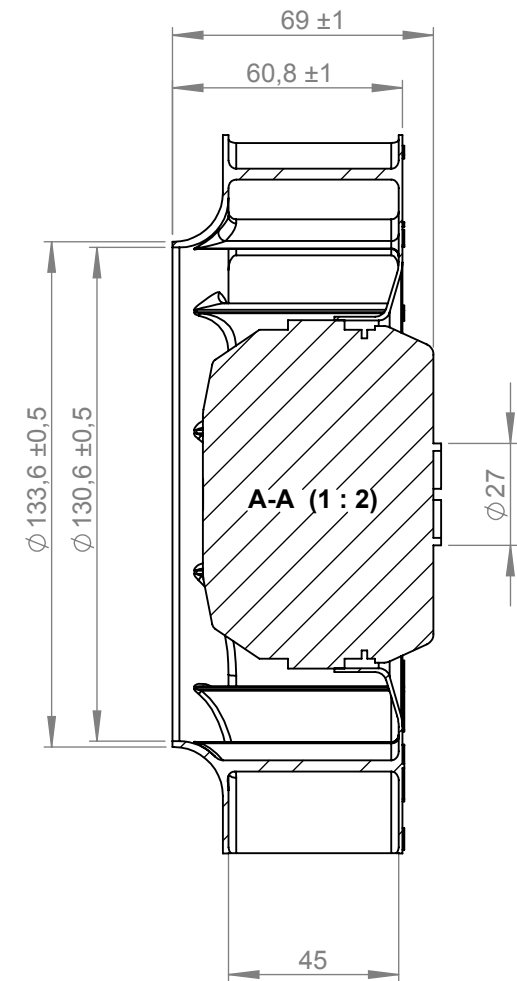
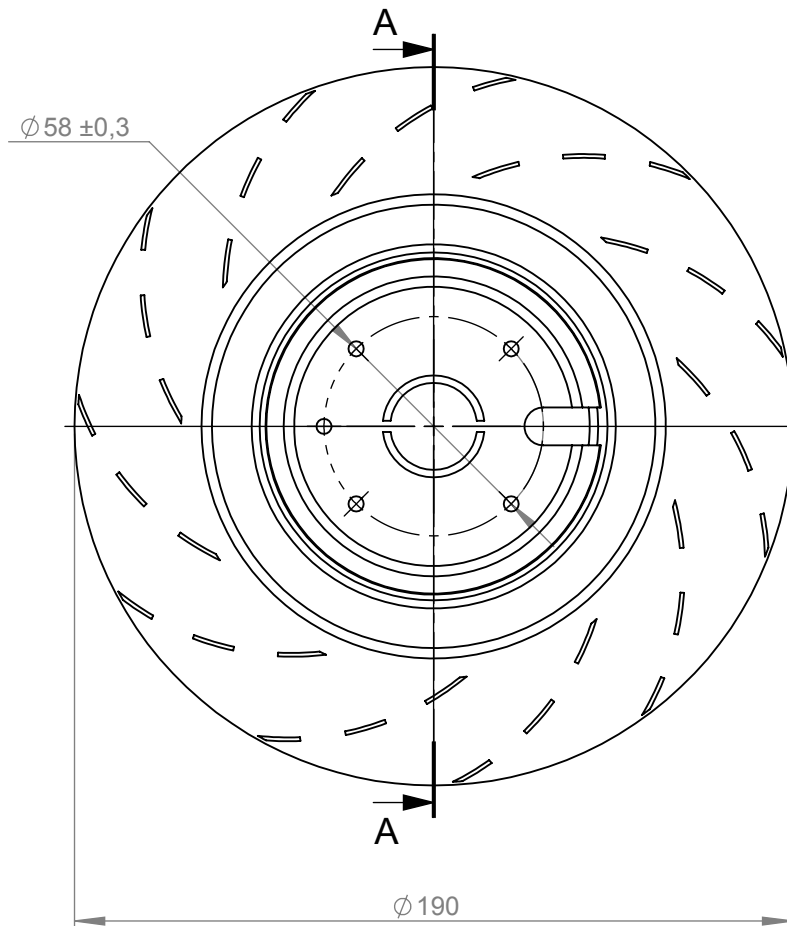
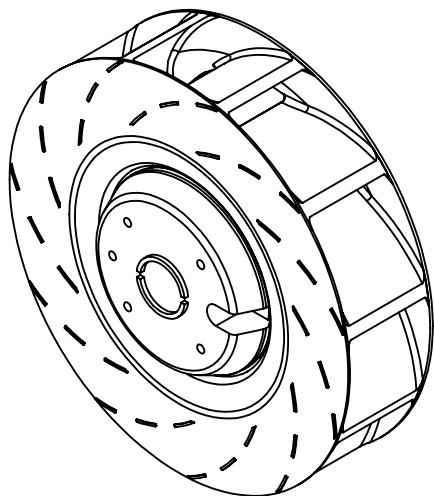


- Backward curved centrifugal fan
- Speed controllable
- Integrated thermostatic switch
- The technical data was ascertained with the inlet nozzle, included among the accessories.

Operating Point		1	2	3	4	5
Current I	A	0,2	0,2	0,3	0,2	0,2
Power consumption P _i	W	47	52	59	57	55
Rotation speed n	1/min	2747	2654	2532	2577	2603
SWL inlet L _{WA5}	dB(A)	-	-	-	-	-
SWL outlet L _{WA6}	dB(A)	-	-	-	-	-
SWL housing break out L _{WA2}	dB(A)	-	-	-	-	-

Sound power (L _w) dB(A)		Medium Frequency Band								
		Σ	63	125	250	500	1k	2k	4k	8k
Inlet	L _{WA5}	-	-	-	-	-	-	-	-	-
Outlet	L _{WA6}	-	-	-	-	-	-	-	-	-
Housing radiation	L _{WA2}	-	-	-	-	-	-	-	-	-

RE 190 2A 135247 135247	
Voltage U _N	230 V 1~
Current I _{max}	0,3 A
Ambient temperature t _A	80 °C
Conveyed medium temperature t _M	80 °C
Speed Control	4-3-2-1
Motor protection	TAI
Insulation class motor	F
Weight	1,4 kg
Number of poles	2
IP motor	IP33
IP terminal box	-
IP complete unit	IPX3
Min. operating temperature	-25 °C



ruck Ventilatoren
Max-Planck-Str. 5
D-97944 Boxberg



1:2 A4 mm

Protection Mark
according to ISO16016

General tolerances
DIN ISO 2768-c

RE1902A135247

Drawn: d.andree
Created: d.andree
Changed: d.andree

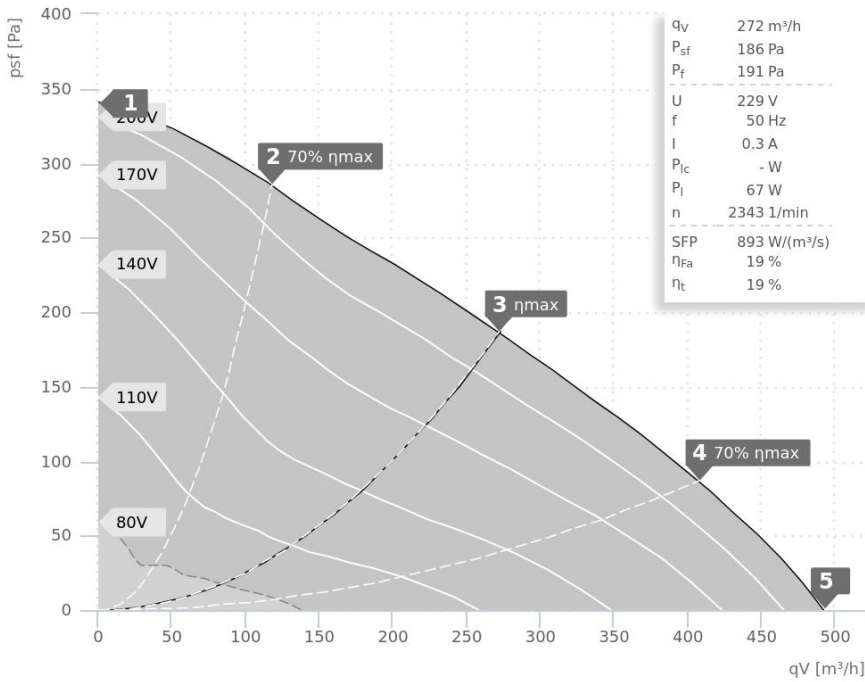
13.11.15
13.11.15
16.11.15

135247 00



DATA SHEET

RE 190 2B 135248 | 135248

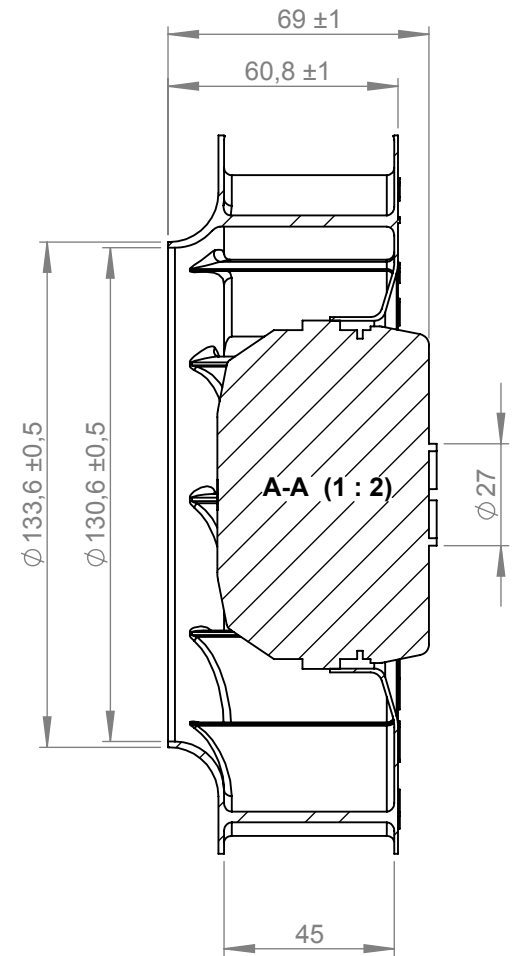
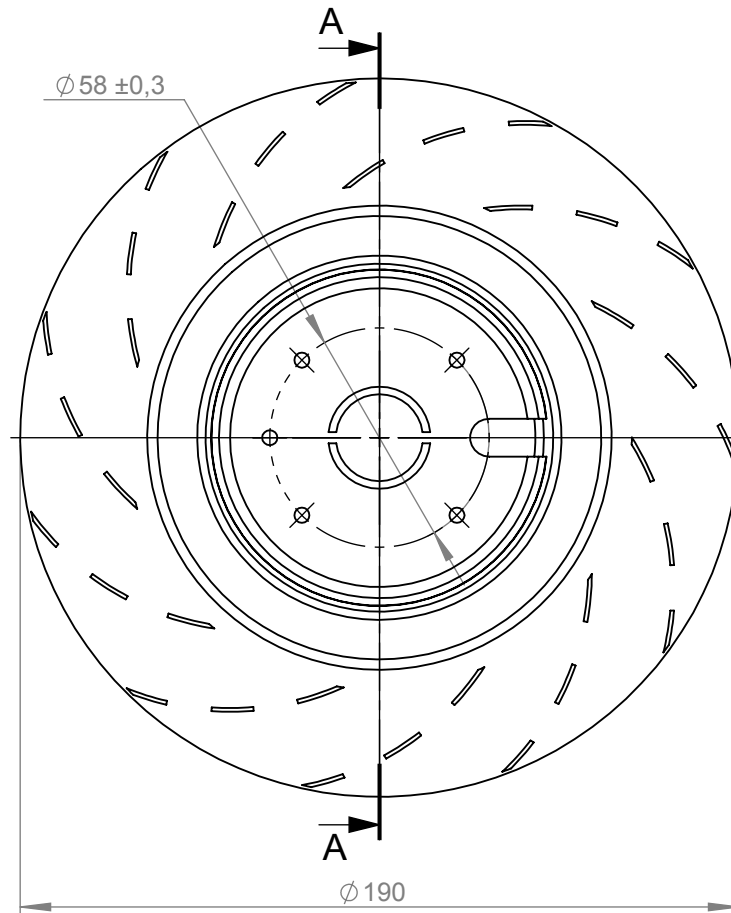
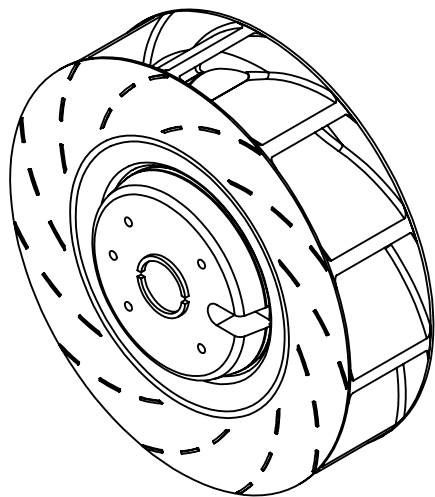


- Backward curved centrifugal fan
- Speed controllable
- Integrated thermostatic switch
- The technical data was ascertained with the inlet nozzle, included among the accessories.

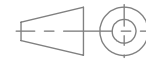
Operating Point		1	2	3	4	5
Current I	A	0,3	0,3	0,3	0,3	0,3
Power consumption P _i	W	62	64	68	67	66
Rotation speed n	1/min	2653	2487	2347	2418	2462
SWL inlet L _{WA5}	dB(A)	67	66	62	66	69
SWL outlet L _{WA6}	dB(A)	71	70	65	70	73
SWL housing break out L _{WA2}	dB(A)	-	-	-	-	-

Sound power (L _W) dB(A)		Medium Frequency Band								
		Σ	63	125	250	500	1k	2k	4k	8k
Inlet	L _{WA5}	61	33	43	52	55	56	55	53	44
Outlet	L _{WA6}	65	33	43	54	58	59	60	57	49
Housing radiation	L _{WA2}	-	-	-	-	-	-	-	-	-

RE 190 2B 135248 135248	
Voltage U _N	230 V 1~
Current I _{max}	0,3 A
Ambient temperature t _A	40 °C
Conveyed medium temperature t _M	40 °C
Speed Control	V
Motor protection	TMI
Insulation class motor	F
Weight	1,1 kg
Number of poles	2
IP motor	IP33
IP terminal box	-
IP complete unit	IPX3
Min. operating temperature	-25 °C



ruck Ventilatoren
Max-Planck-Str. 5
D-97944 Boxberg



Protection Mark
according to ISO16016

Drawn: d.andree
Created: d.andree
Changed: d.andree

1:2 A4 mm

General tolerances
DIN ISO 2768-c

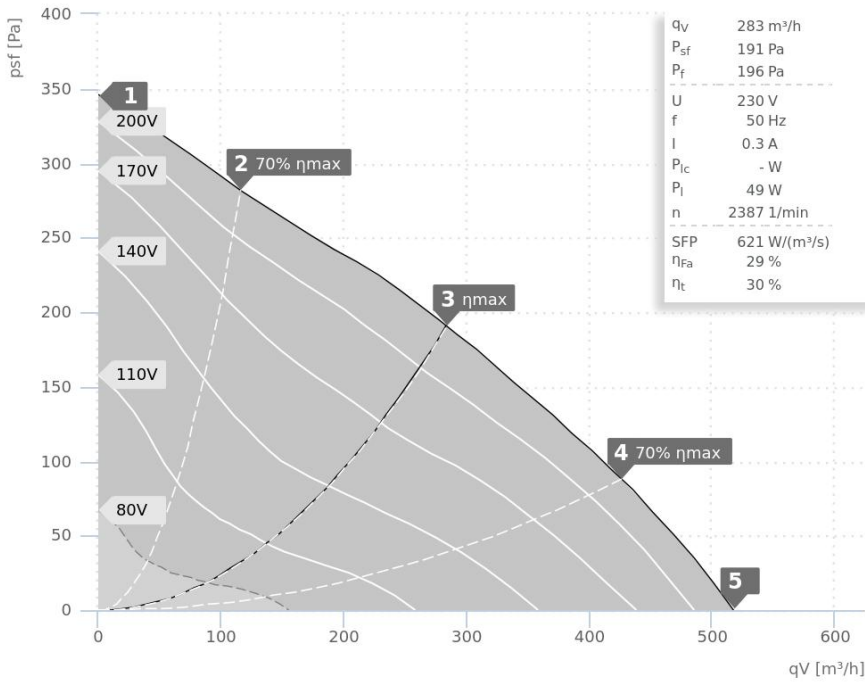
RE1902B135248

135248 00



DATA SHEET

RE 190 2W 136416 | 136416

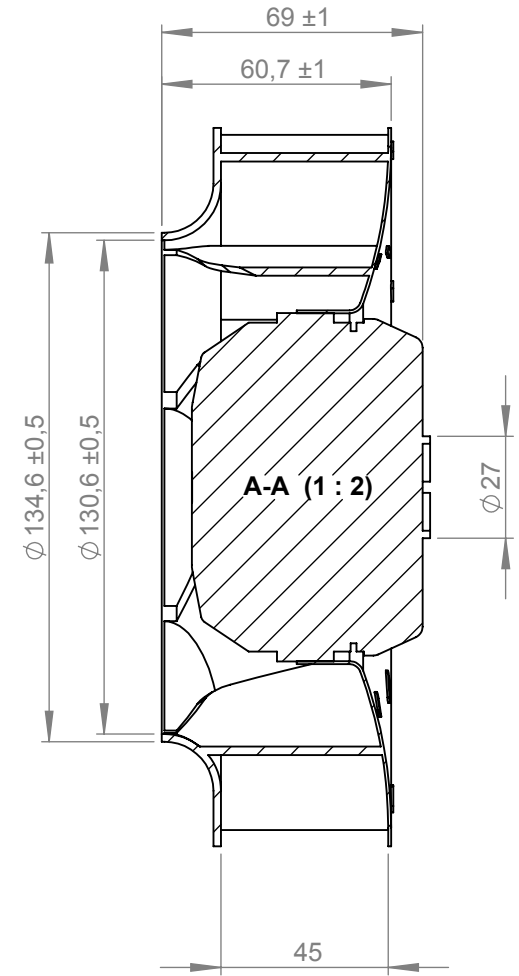
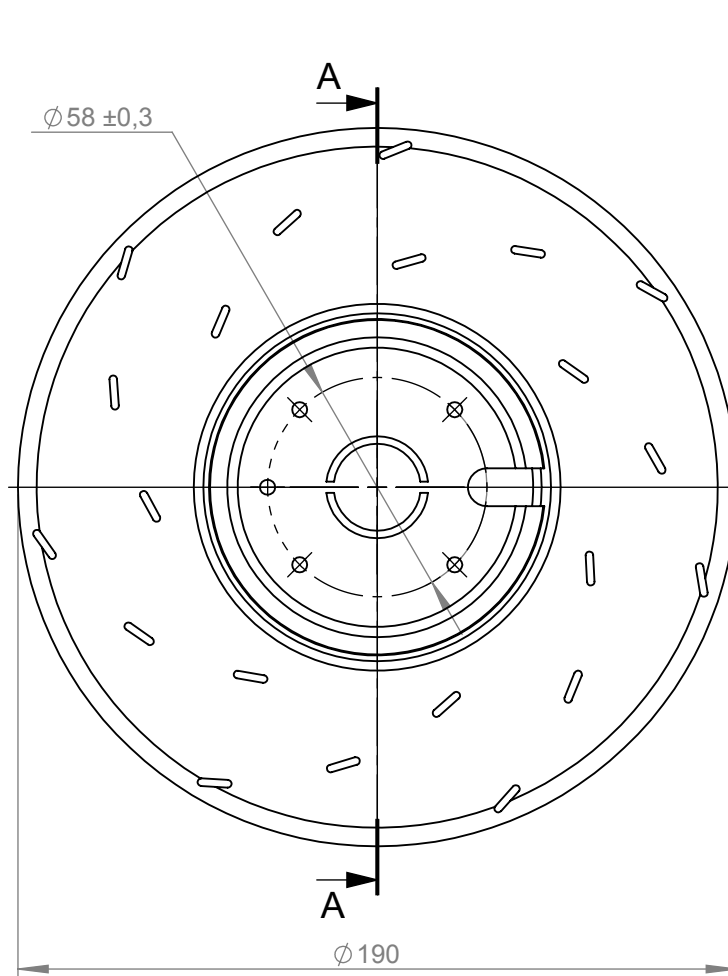
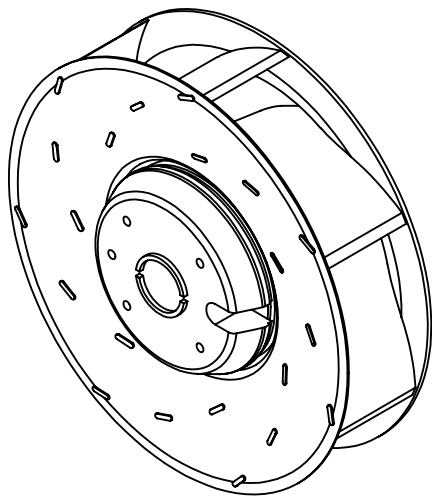


- Backward curved centrifugal fan
- Speed controllable
- Integrated thermostatic switch
- The technical data was ascertained with the inlet nozzle, included among the accessories.

Operating Point		1	2	3	4	5
Current I	A	0,0	0,0	0,0	0,0	0,0
Power consumption P _i	W	-	-	-	-	-
Rotation speed n	1/min	-	-	-	-	-
SWL inlet L _{WA5}	dB(A)	-	-	-	-	-
SWL outlet L _{WA6}	dB(A)	-	-	-	-	-
SWL housing break out L _{WA2}	dB(A)	-	-	-	-	-

Sound power (L _w) dB(A)		Medium Frequency Band								
		Σ	63	125	250	500	1k	2k	4k	8k
Inlet	L _{WA5}	-	-	-	-	-	-	-	-	-
Outlet	L _{WA6}	-	-	-	-	-	-	-	-	-
Housing radiation	L _{WA2}	-	-	-	-	-	-	-	-	-

RE 190 2W 136416 136416	
Voltage U _N	230 V 1~
Current I _{max}	0,3 A
Ambient temperature t _A	70 °C
Conveyed medium temperature t _M	70 °C
Speed Control	V
Motor protection	TMI
Insulation class motor	F
Weight	1,3 kg
Number of poles	2
IP motor	IP33
IP terminal box	-
IP complete unit	IPX3
Min. operating temperature	-25 °C



ruck Ventilatoren
 Max-Planck-Str. 5
 D-97944 Boxberg



Protection Mark
 according to ISO16016

Drawn: d.andree
 Created: d.andree
 Changed: d.andree

1:2 A4 mm

General tolerances
 DIN ISO 2768-c

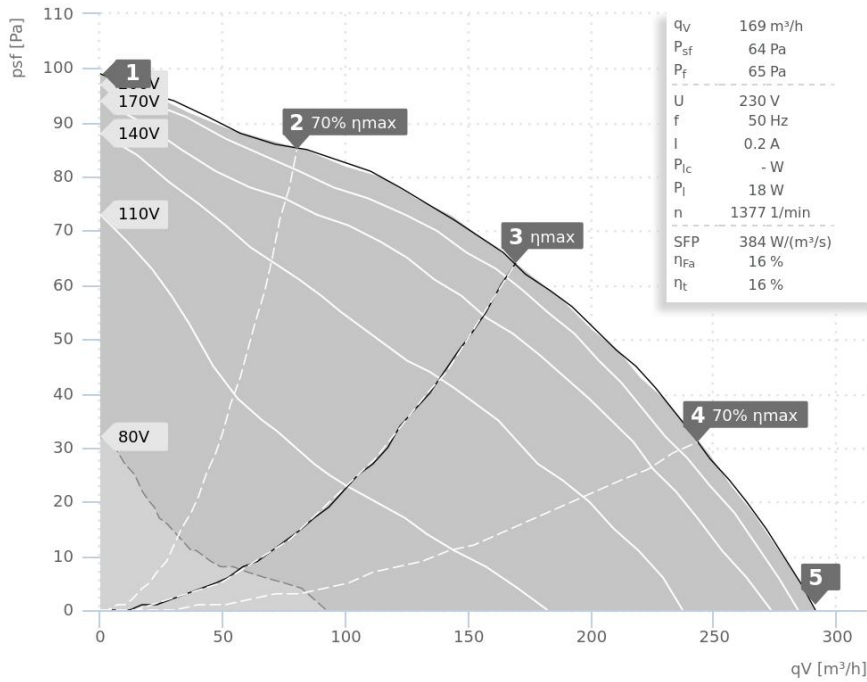
RE1902W136416

136416 00



DATA SHEET

RE 190 4B 135249 | 135249

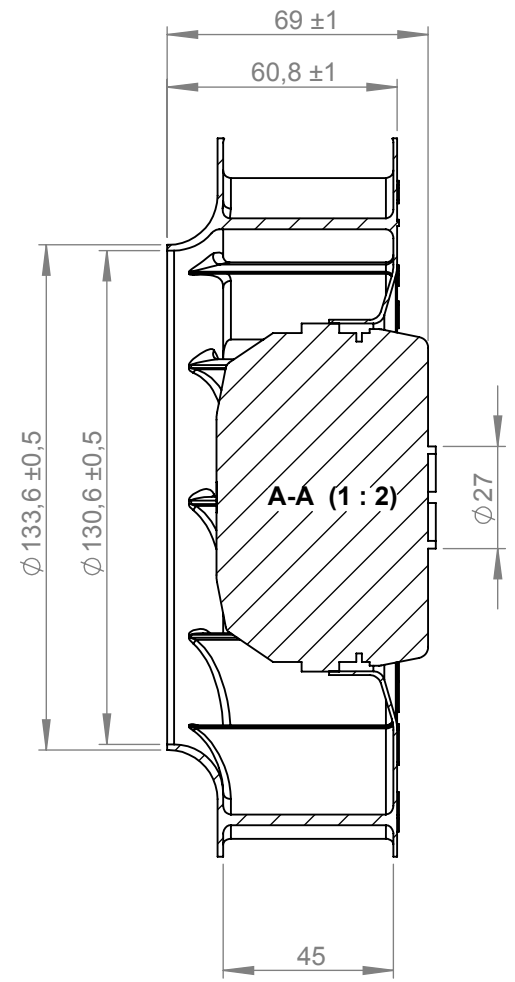
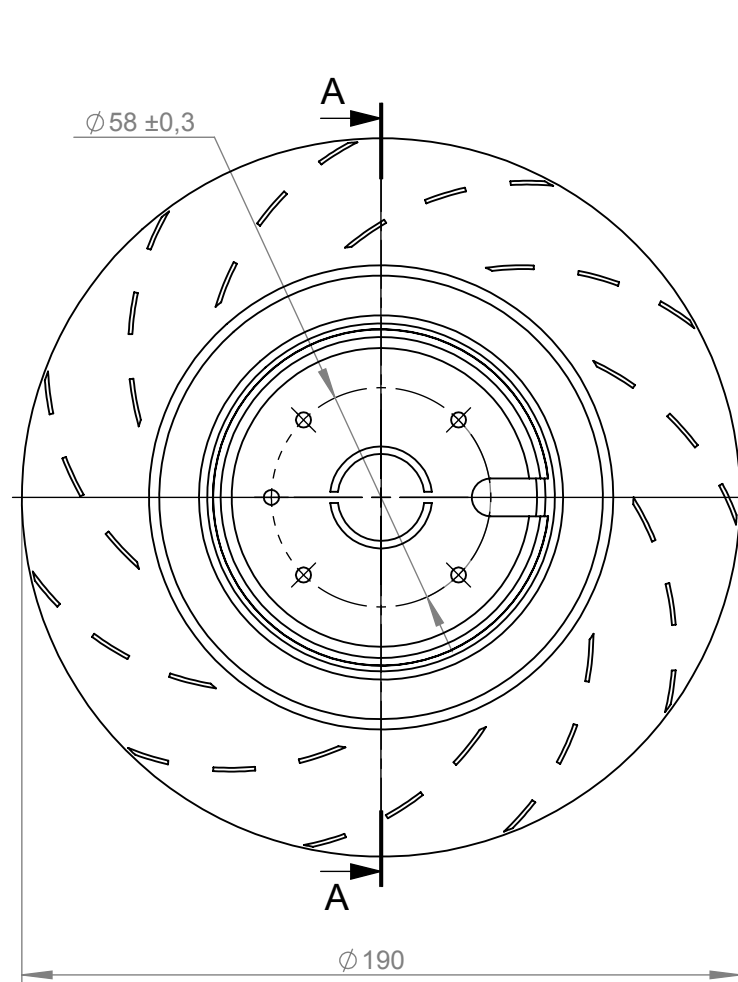
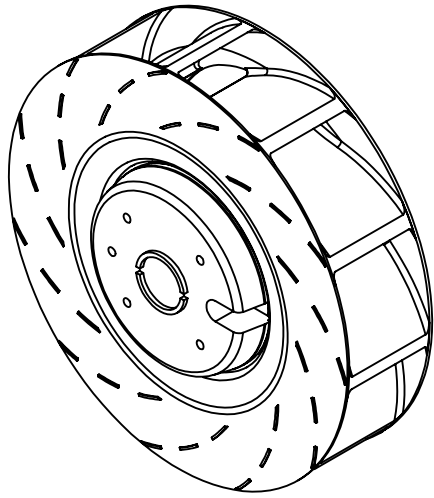


- Backward curved centrifugal fan
- Speed controllable
- Integrated thermostatic switch
- The technical data was ascertained with the inlet nozzle, included among the accessories.

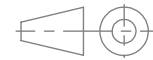
Operating Point		1	2	3	4	5
Current I	A	0,0	0,0	0,0	0,0	0,0
Power consumption P_1	W	-	-	-	-	-
Rotation speed n	1/min	-	-	-	-	-
SWL inlet L_{WA5}	dB(A)	-	-	-	-	-
SWL outlet L_{WA6}	dB(A)	-	-	-	-	-
SWL housing break out L_{WA2}	dB(A)	-	-	-	-	-

Sound power (L_W) dB(A)		Medium Frequency Band								
		Σ	63	125	250	500	1k	2k	4k	8k
Inlet	L_{WA5}	-	-	-	-	-	-	-	-	-
Outlet	L_{WA6}	-	-	-	-	-	-	-	-	-
Housing radiation	L_{WA2}	-	-	-	-	-	-	-	-	-

RE 190 4B 135249 135249	
Voltage U_N	230 V 1~
Current I_{max}	0,2 A
Ambient temperature t_A	70 °C
Conveyed medium temperature t_M	70 °C
Speed Control	V
Motor protection	TAI
Insulation class motor	F
Weight	1,3 kg
Number of poles	4
IP motor	IP33
IP terminal box	-
IP complete unit	IPX3
Min. operating temperature	-30 °C



ruck Ventilatoren
Max-Planck-Str. 5
D-97944 Boxberg



1:2 A4 mm

Protection Mark
according to ISO16016

General tolerances
DIN ISO 2768-c

Drawn: d.andree
Created: d.andree
Changed: d.andree

13.11.15
13.11.15
16.11.15

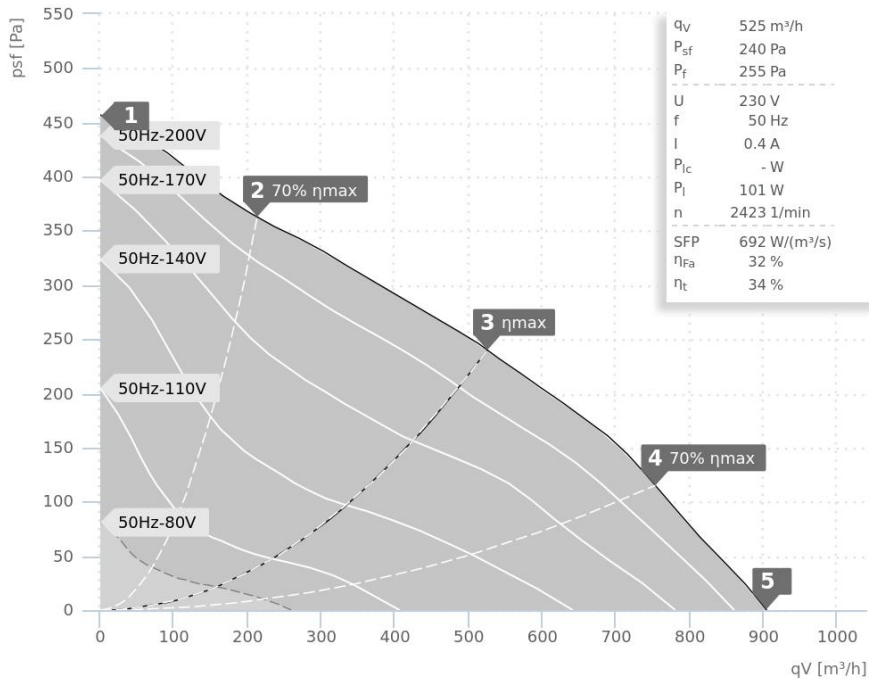
RE1904B135249

135249 00



DATA SHEET

RE 220 2F 135250 | 135250

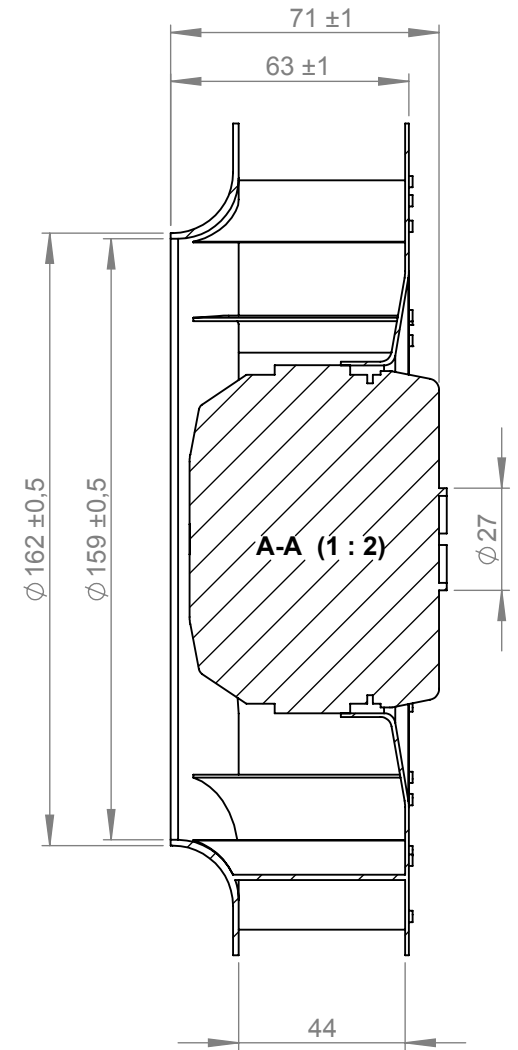
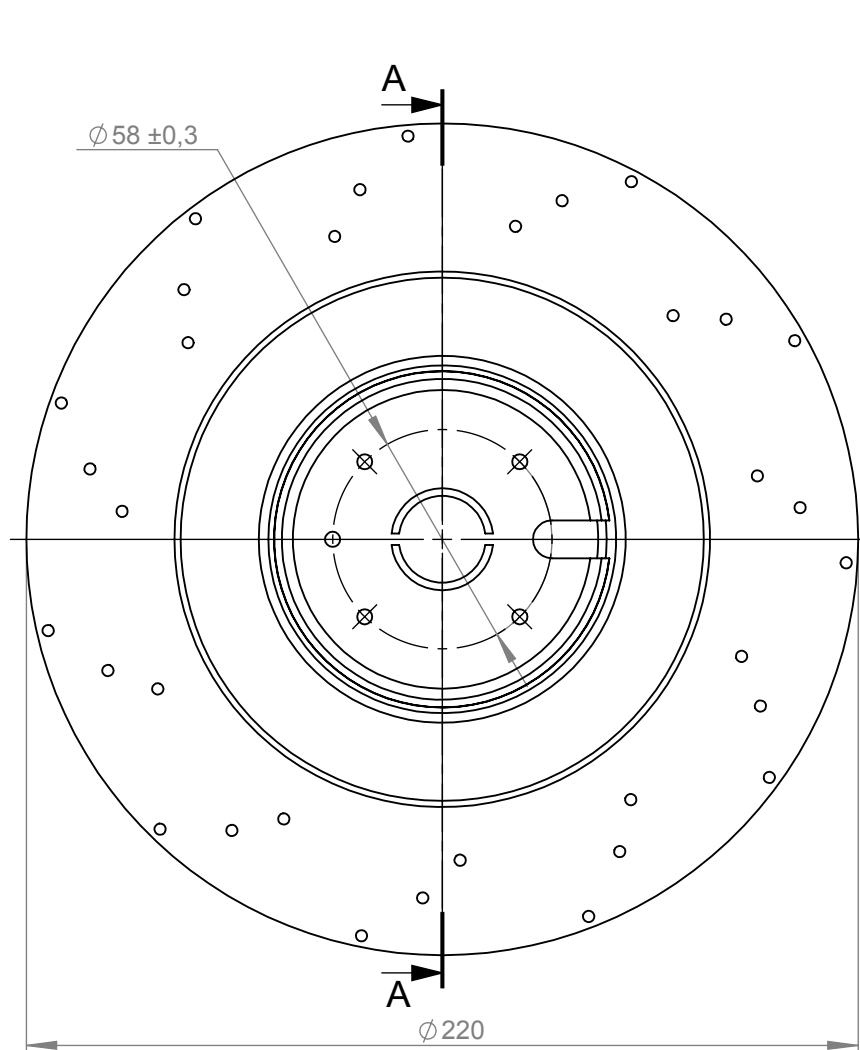
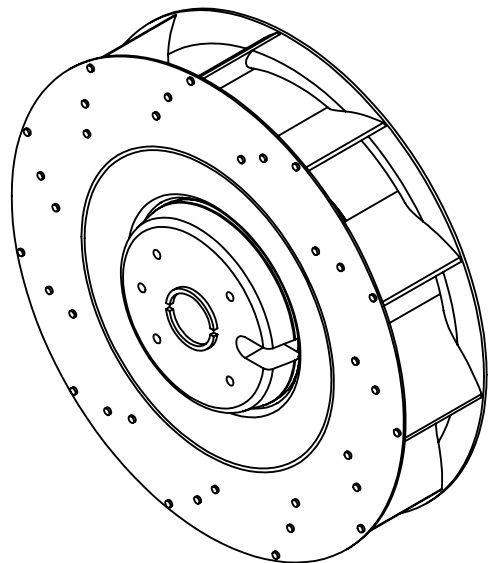


- Backward curved centrifugal fan
- Speed controllable
- Integrated thermostatic switch
- The technical data was ascertained with the inlet nozzle, included among the accessories.

Operating Point		1	2	3	4	5
Current I	A	0,4	0,4	0,4	0,4	0,4
Power consumption P _i	W	77	91	101	96	90
Rotation speed n	1/min	2704	2529	2423	2484	2548
SWL inlet L _{WA5}	dB(A)	73	71	64	69	72
SWL outlet L _{WA6}	dB(A)	77	76	69	73	77
SWL housing break out L _{WA2}	dB(A)	-	-	-	-	-

Sound power (L _W) dB(A)		Medium Frequency Band								
		Σ	63	125	250	500	1k	2k	4k	8k
Inlet	L _{WA5}	64	35	47	54	57	59	57	56	49
Outlet	L _{WA6}	69	36	47	58	61	62	64	59	50
Housing radiation	L _{WA2}	-	-	-	-	-	-	-	-	-

RE 220 2F 135250 135250	
Voltage U _N	230 V 1~
Current I _{max}	0,5 A
Ambient temperature t _A	65 °C
Conveyed medium temperature t _M	65 °C
Speed Control	V
Motor protection	TAI
Insulation class motor	F
Weight	1,6 kg
Number of poles	2
IP motor	IP33
IP terminal box	-
IP complete unit	IPX3
Min. operating temperature	-25 °C



ruck Ventilatoren
Max-Planck-Str. 5
D-97944 Boxberg



Protection Mark
according to ISO16016

Drawn: d.andree
Created: d.andree
Changed: d.andree

1:2 A4 mm

General tolerances
DIN ISO 2768-c

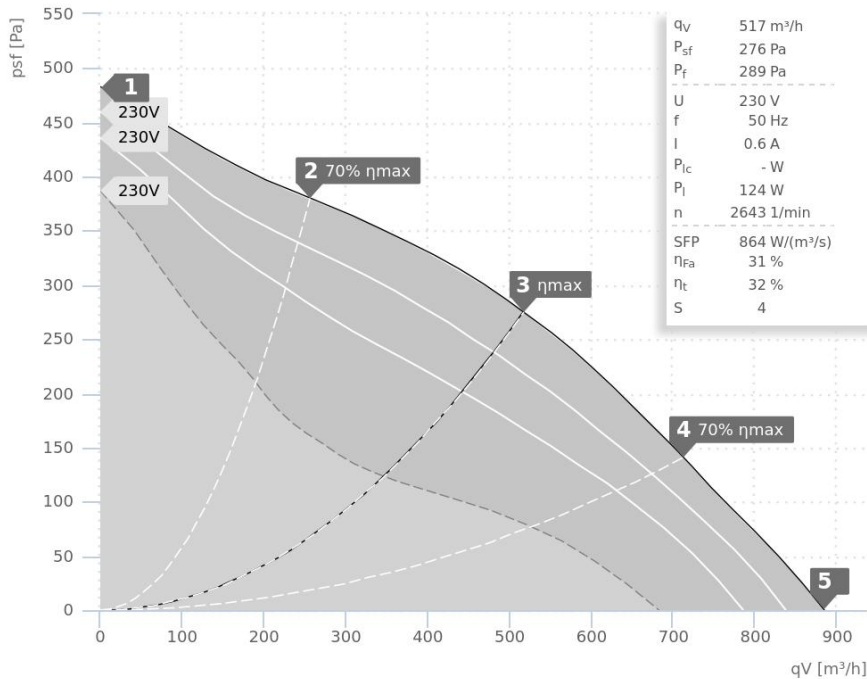
RE2202F135250

135250 00



DATA SHEET

RE 220 2G 135251 | 135251

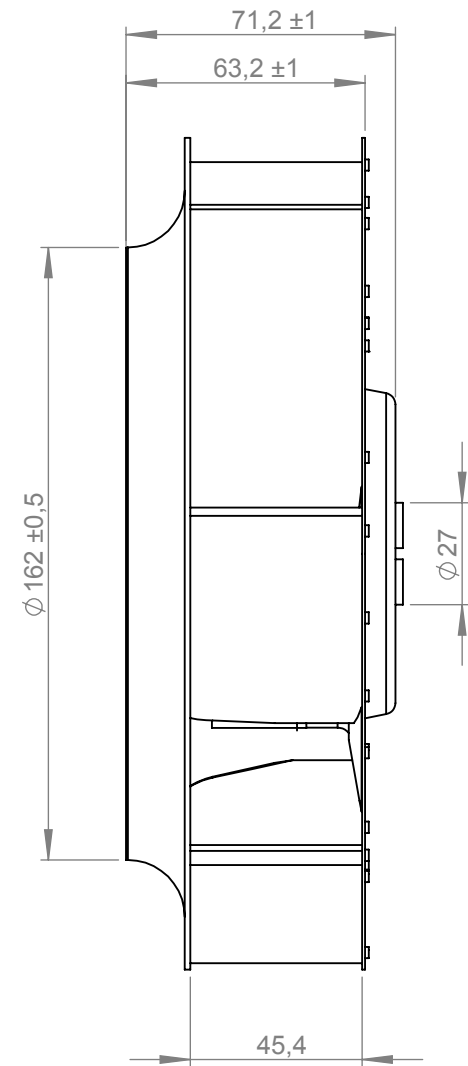
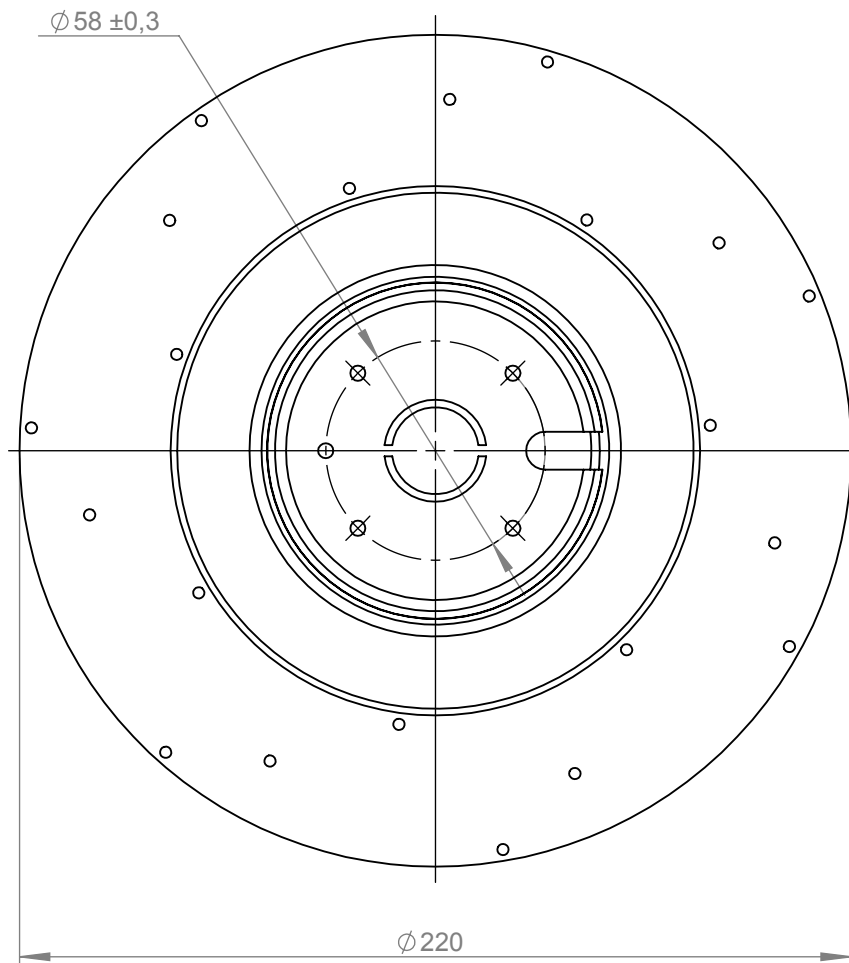
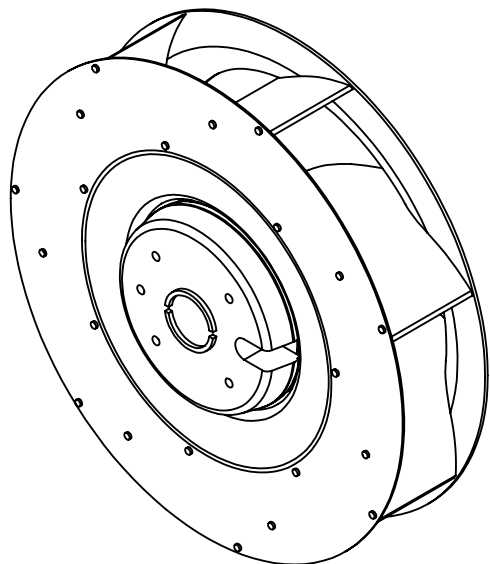


- Backward curved centrifugal fan
- Speed controllable
- Integrated thermostatic switch
- The technical data was ascertained with the inlet nozzle, included among the accessories.

Operating Point		1	2	3	4	5
Current I	A	0,6	0,6	0,6	0,6	0,6
Power consumption P_i	W	103	121	130	123	119
Rotation speed n	1/min	2800	2689	2643	2687	2711
SWL inlet L_{WA5}	dB(A)	-	-	-	-	-
SWL outlet L_{WA6}	dB(A)	-	-	-	-	-
SWL housing break out L_{WA2}	dB(A)	-	-	-	-	-

Sound power (L_W) dB(A)		Medium Frequency Band								
		Σ	63	125	250	500	1k	2k	4k	8k
Inlet	L_{WA5}	-	-	-	-	-	-	-	-	-
Outlet	L_{WA6}	-	-	-	-	-	-	-	-	-
Housing radiation	L_{WA2}	-	-	-	-	-	-	-	-	-

RE 220 2G 135251 135251	
Voltage U_N	230 V 1~
Current I_{max}	0,7 A
Ambient temperature t_A	45 °C
Conveyed medium temperature t_M	45 °C
Speed Control	4-3-2-1
Motor protection	TAI
Insulation class motor	F
Weight	2,0 kg
Number of poles	2
IP motor	IP33
IP terminal box	-
IP complete unit	IPX3
Min. operating temperature	-25 °C



ruck Ventilatoren
Max-Planck-Str. 5
D-97944 Boxberg



Protection Mark
according to ISO16016

Drawn: d.andree
Created: d.andree
Changed: d.andree

1:2 A4 mm

General tolerances
DIN ISO 2768-c

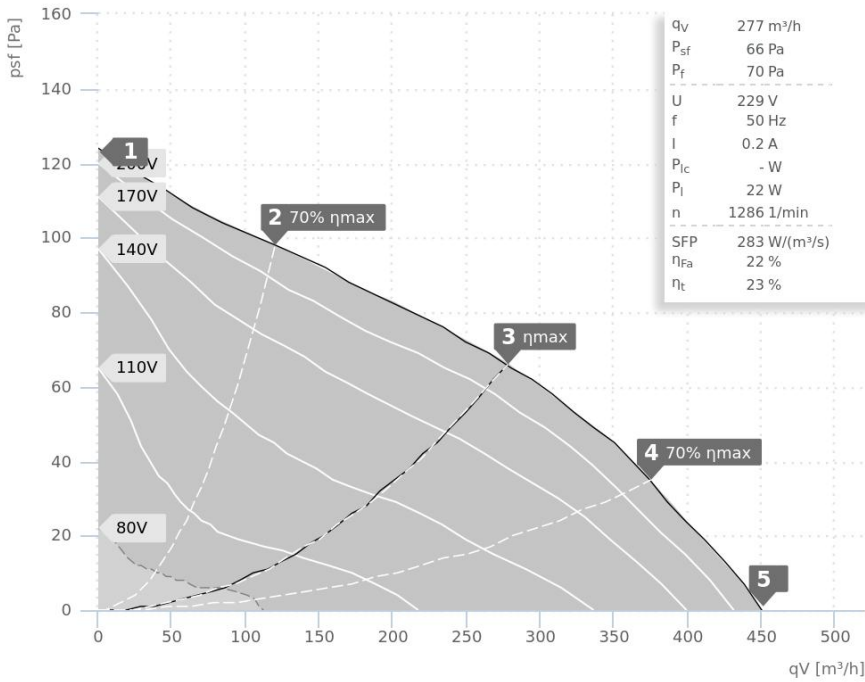
RE2202G135251

135251 00



DATA SHEET

RE 220 4F 137397 | 137397

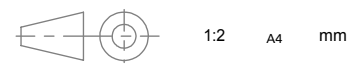
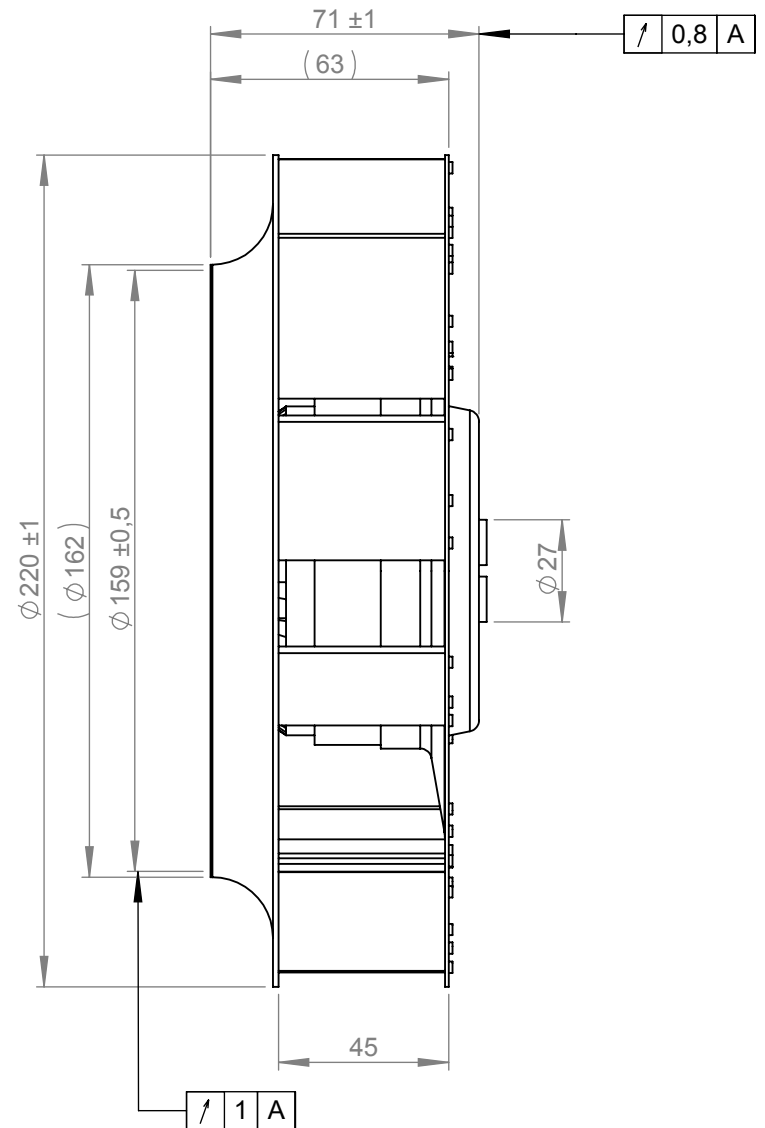
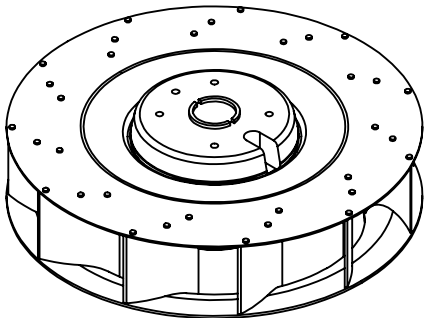
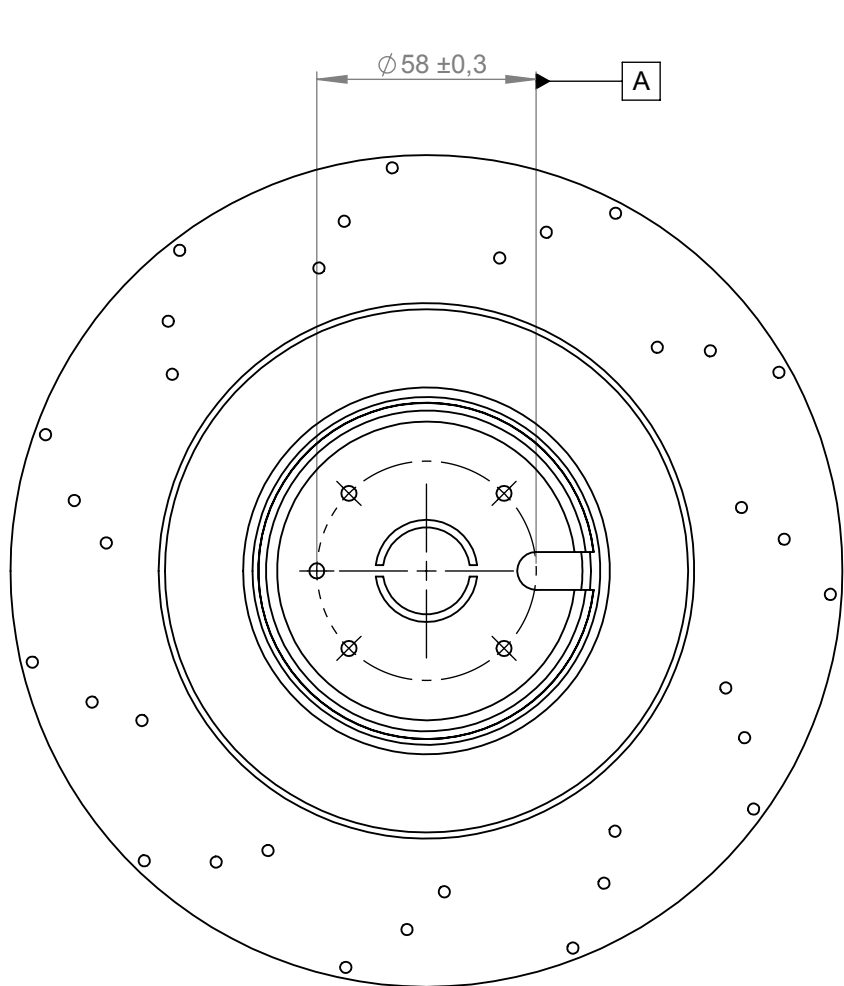


- Backward curved centrifugal fan
- Speed controllable
- Integrated thermostatic switch
- The technical data was ascertained with the inlet nozzle, included among the accessories.

Operating Point		1	2	3	4	5
Current I	A	0,2	0,2	0,2	0,2	0,2
Power consumption P_i	W	18	21	22	22	20
Rotation speed n	1/min	1393	1318	1288	1303	1330
SWL inlet L_{WA5}	dB(A)	-	-	-	-	-
SWL outlet L_{WA6}	dB(A)	-	-	-	-	-
SWL housing break out L_{WA2}	dB(A)	-	-	-	-	-

Sound power (L_W) dB(A)		Medium Frequency Band								
		Σ	63	125	250	500	1k	2k	4k	8k
Inlet	L_{WA5}	-	-	-	-	-	-	-	-	-
Outlet	L_{WA6}	-	-	-	-	-	-	-	-	-
Housing radiation	L_{WA2}	-	-	-	-	-	-	-	-	-

RE 220 4F 137397 137397	
Voltage U_N	230 V 1~
Current I_{max}	0,2 A
Ambient temperature t_A	70 °C
Conveyed medium temperature t_M	70 °C
Speed Control	V
Motor protection	TAI
Insulation class motor	F
Weight	0,0 kg
Number of poles	4
IP motor	IP33
IP terminal box	-
IP complete unit	IPX3
Min. operating temperature	-25 °C



ruck Ventilatoren
 Max-Planck-Str. 5
 D-97944 Boxberg

Protection Mark
 according to ISO16016

Drawn: m.deissler
 Created: m.deissler
 Changed: m.deissler

General tolerances
 DIN ISO 2768-c

02.08.2016
 02.08.2016
 02.08.16

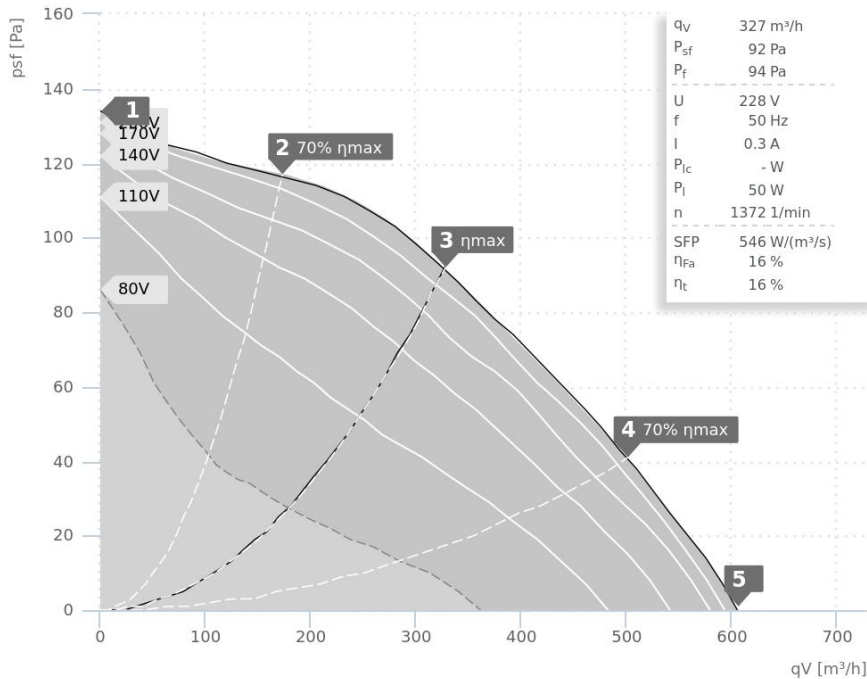
RE2204F137397

137397 00



DATA SHEET

RE 225 4A 135289 | 135289

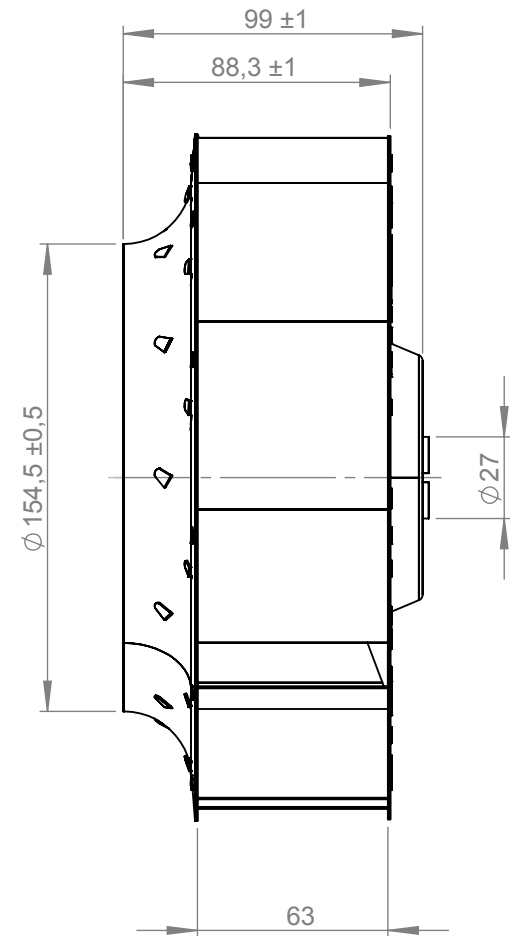
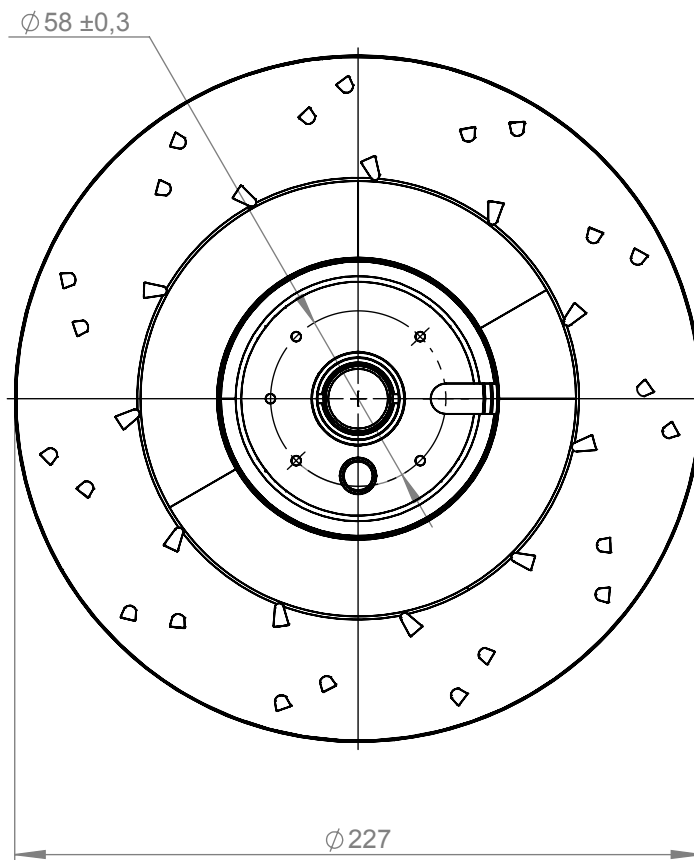
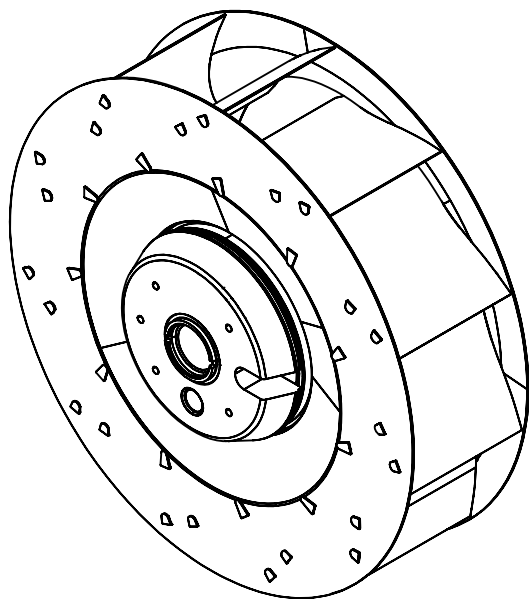


- Backward curved centrifugal fan
- Speed controllable
- Integrated thermostatic switch
- The technical data was ascertained with the inlet nozzle, included among the accessories.

Operating Point		1	2	3	4	5
Current I	A	0,0	0,0	0,0	0,0	0,0
Power consumption P ₁	W	-	-	-	-	-
Rotation speed n	1/min	-	-	-	-	-
SWL inlet L _{WA5}	dB(A)	-	-	-	-	-
SWL outlet L _{WA6}	dB(A)	-	-	-	-	-
SWL housing break out L _{WA2}	dB(A)	-	-	-	-	-

Sound power (L _W) dB(A)		Medium Frequency Band								
		Σ	63	125	250	500	1k	2k	4k	8k
Inlet	L _{WA5}	-	-	-	-	-	-	-	-	-
Outlet	L _{WA6}	-	-	-	-	-	-	-	-	-
Housing radiation	L _{WA2}	-	-	-	-	-	-	-	-	-

RE 225 4A 135289 135289	
Voltage U _N	230 V 1~
Current I _{max}	0,3 A
Ambient temperature t _A	45 °C
Conveyed medium temperature t _M	45 °C
Speed Control	V
Motor protection	TAI
Insulation class motor	B
Weight	2,1 kg
Number of poles	2
IP motor	IP33
IP terminal box	-
IP complete unit	IPX3
Min. operating temperature	-25 °C



ruck Ventilatoren
Max-Planck-Str. 5
D-97944 Boxberg



Protection Mark
according to ISO16016

Drawn: d.andree
Created: d.andree
Changed: d.andree

1:2.5 A4 mm

General tolerances
DIN ISO 2768-c

RE2254A135289

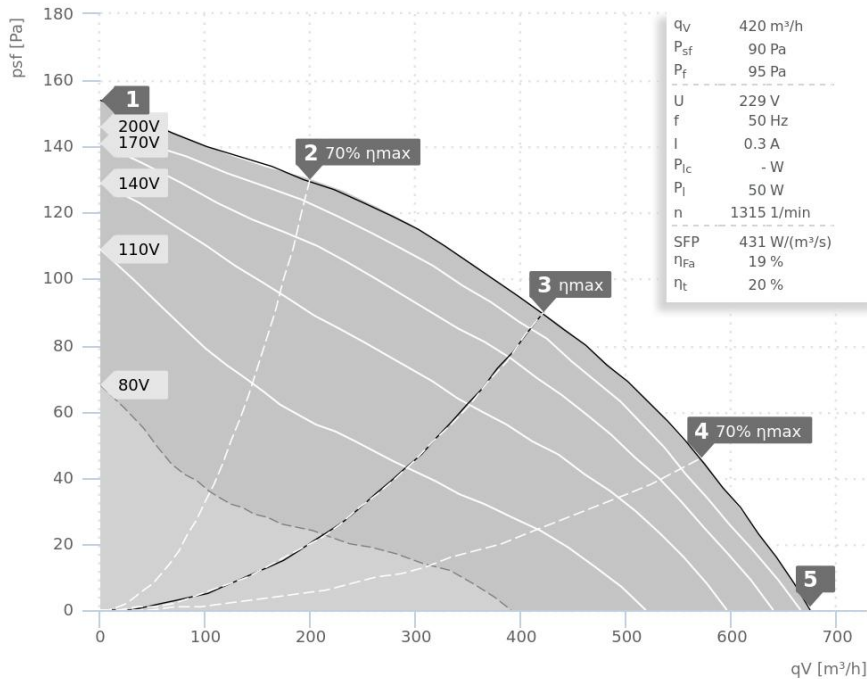
135289 00



DATA SHEET

ruck.eu
VENTILATOREN

RE 250 4B 135252 | 135252

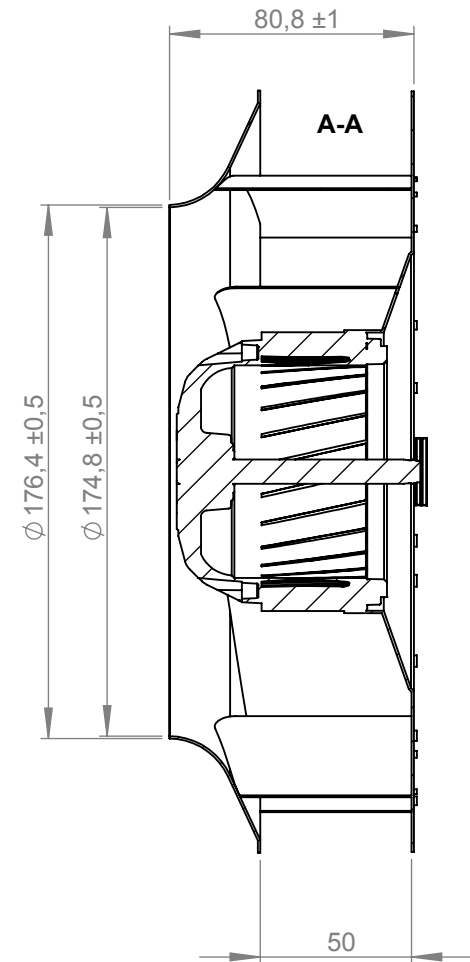
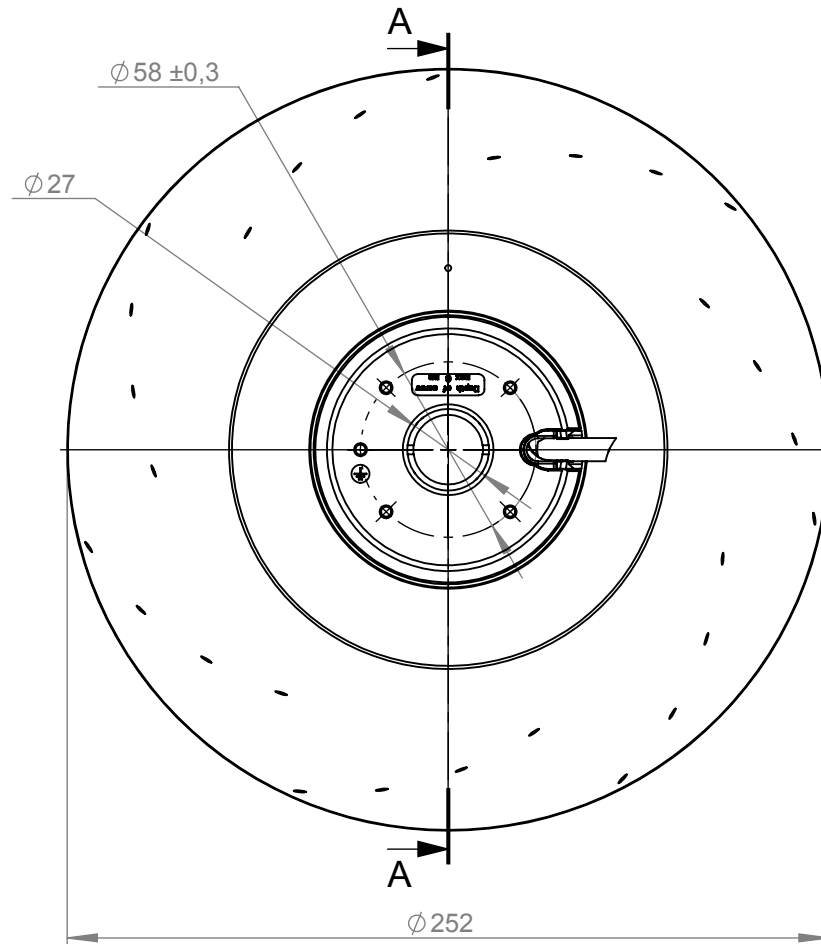
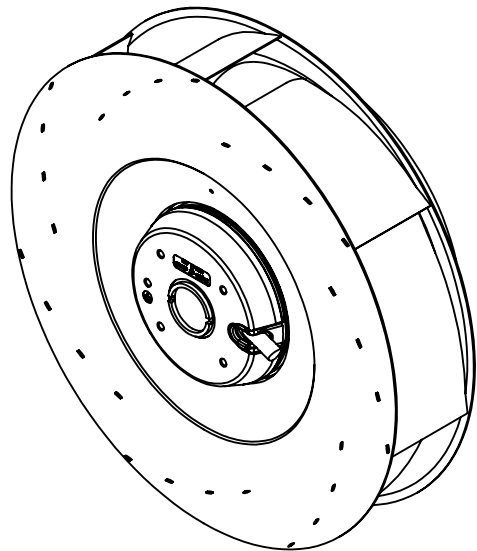


- Backward curved centrifugal fan
- Speed controllable
- Integrated thermostatic switch
- The technical data was ascertained with the inlet nozzle, included among the accessories.

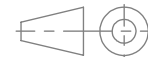
Operating Point		1	2	3	4	5
Current I	A	0,3	0,3	0,3	0,3	0,3
Power consumption P_1	W	47	50	51	49	47
Rotation speed n	1/min	1388	1327	1316	1346	1372
SWL inlet L_{WA5}	dB(A)	-	-	-	-	-
SWL outlet L_{WA6}	dB(A)	-	-	-	-	-
SWL housing break out L_{WA2}	dB(A)	-	-	-	-	-

Sound power (L_W) dB(A)		Medium Frequency Band								
		Σ	63	125	250	500	1k	2k	4k	8k
Inlet	L_{WA5}	-	-	-	-	-	-	-	-	-
Outlet	L_{WA6}	-	-	-	-	-	-	-	-	-
Housing radiation	L_{WA2}	-	-	-	-	-	-	-	-	-

RE 250 4B 135252 135252	
Voltage U_N	230 V 1~
Current I_{max}	0,3 A
Ambient temperature t_A	45 °C
Conveyed medium temperature t_M	45 °C
Speed Control	V
Motor protection	TAI
Insulation class motor	F
Weight	2,2 kg
Number of poles	4
IP motor	IP33
IP terminal box	-
IP complete unit	IPX3
Min. operating temperature	-25 °C



ruck Ventilatoren
Max-Planck-Str. 5
D-97944 Boxberg



1:2.5 A4 mm

Protection Mark
according to ISO16016

General tolerances
DIN ISO 2768-c

RE2504B135252

Drawn: d.andree
Created: d.andree
Changed: d.andree

13.11.15
13.11.15
16.11.15

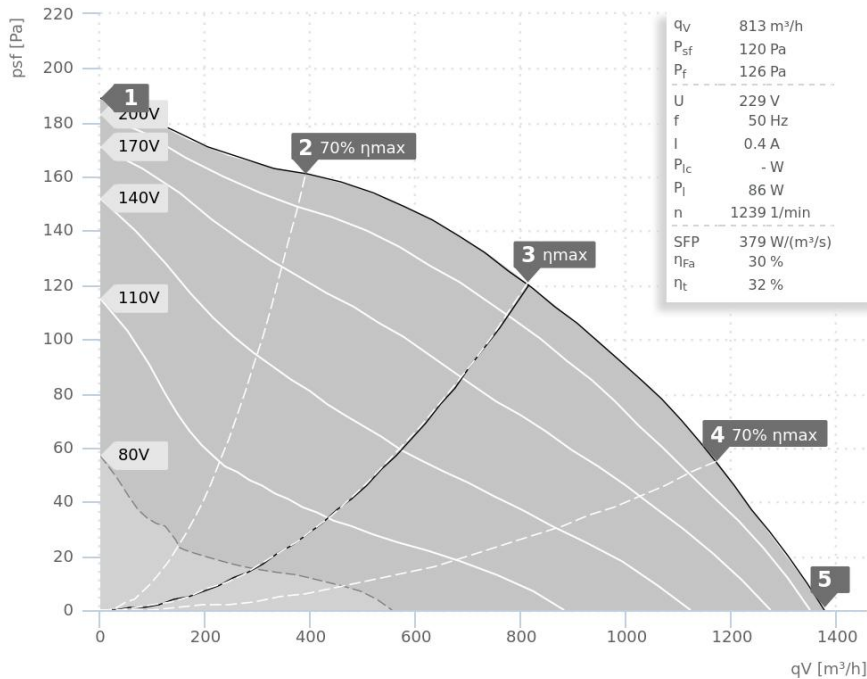
135252 00



DATA SHEET

ruck.eu
VENTILATOREN

RE 280 4A 135253 | 135253

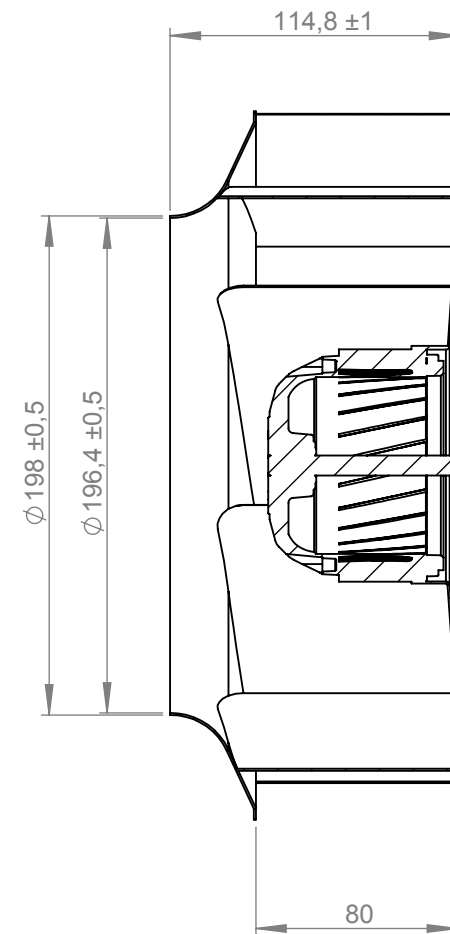
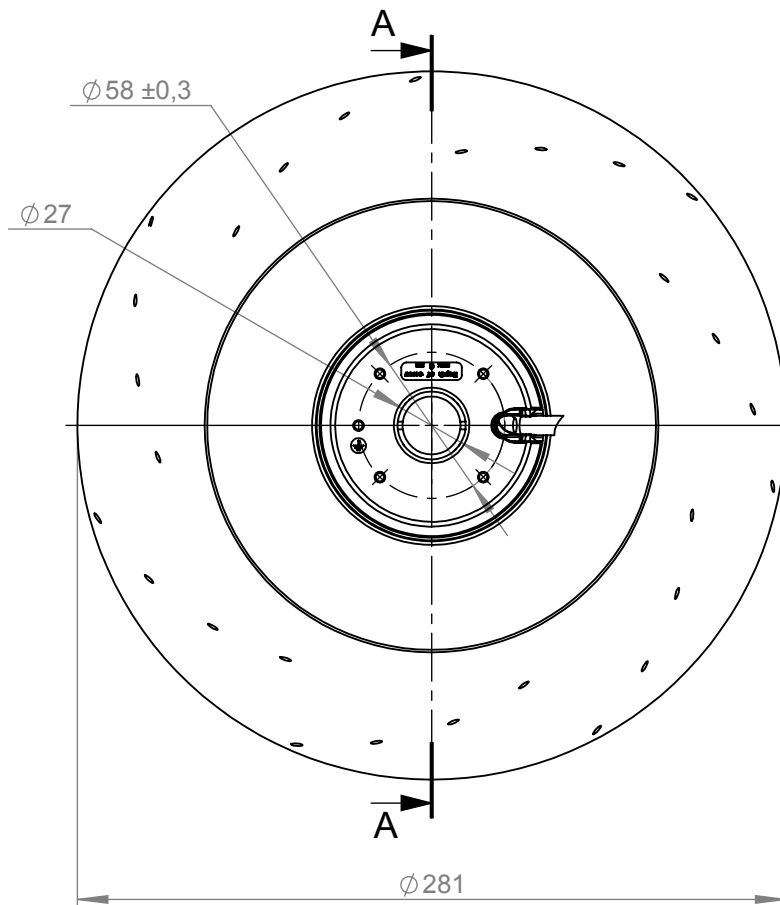
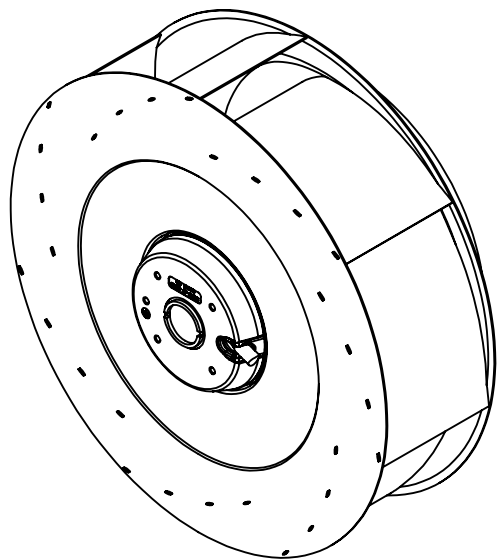


- Backward curved centrifugal fan
- Speed controllable
- Integrated thermostatic switch
- The technical data was ascertained with the inlet nozzle, included among the accessories.

Operating Point		1	2	3	4	5
Current I	A	0,4	0,4	0,4	0,4	0,4
Power consumption P_1	W	69	80	86	80	74
Rotation speed n	1/min	1391	1287	1241	1295	1343
SWL inlet L_{WA5}	dB(A)	-	-	-	-	-
SWL outlet L_{WA6}	dB(A)	-	-	-	-	-
SWL housing break out L_{WA2}	dB(A)	-	-	-	-	-

Sound power (L_W) dB(A)		Medium Frequency Band								
		Σ	63	125	250	500	1k	2k	4k	8k
Inlet	L_{WA5}	-	-	-	-	-	-	-	-	-
Outlet	L_{WA6}	-	-	-	-	-	-	-	-	-
Housing radiation	L_{WA2}	-	-	-	-	-	-	-	-	-

RE 280 4A 135253 135253	
Voltage U_N	230 V 1~
Current I_{max}	0,4 A
Ambient temperature t_A	55 °C
Conveyed medium temperature t_M	55 °C
Speed Control	V
Motor protection	TAI
Insulation class motor	F
Weight	2,9 kg
Number of poles	4
IP motor	IP33
IP terminal box	-
IP complete unit	IPX3
Min. operating temperature	-25 °C



A-A (1 : 3)

ruck
VENTILATOREN
ruck Ventilatoren
Max-Planck-Str. 5
D-97944 Boxberg



Protection Mark
according to ISO16016

Created d.andree
Drawn d.andree
Released d.costea
Disabled

1:3 A4 mm

General tolerances
DIN ISO 2768-c

13.11.2015
13.11.2015
05.06.2018

RE2804A230V

135253 00

VENTAS
VENTILATORER