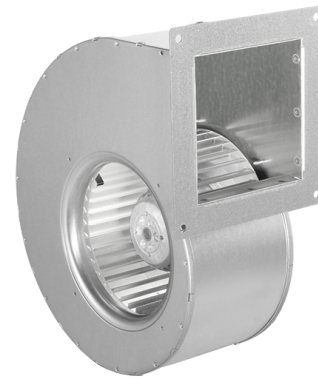
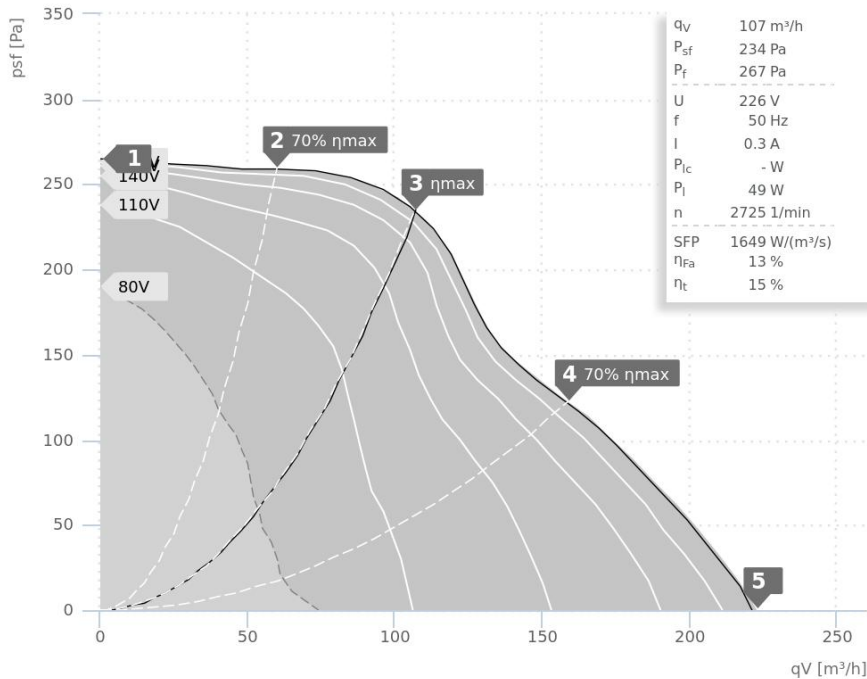


# DATA SHEET

GE 120 2A 100249 | 100249

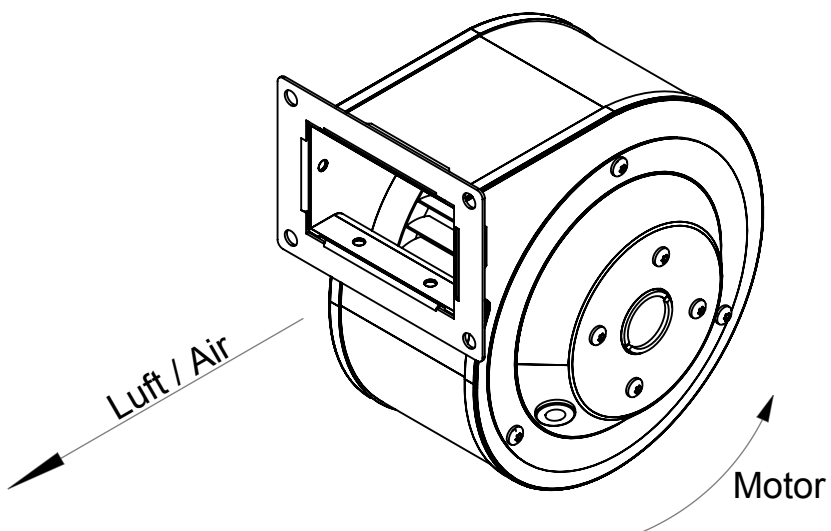
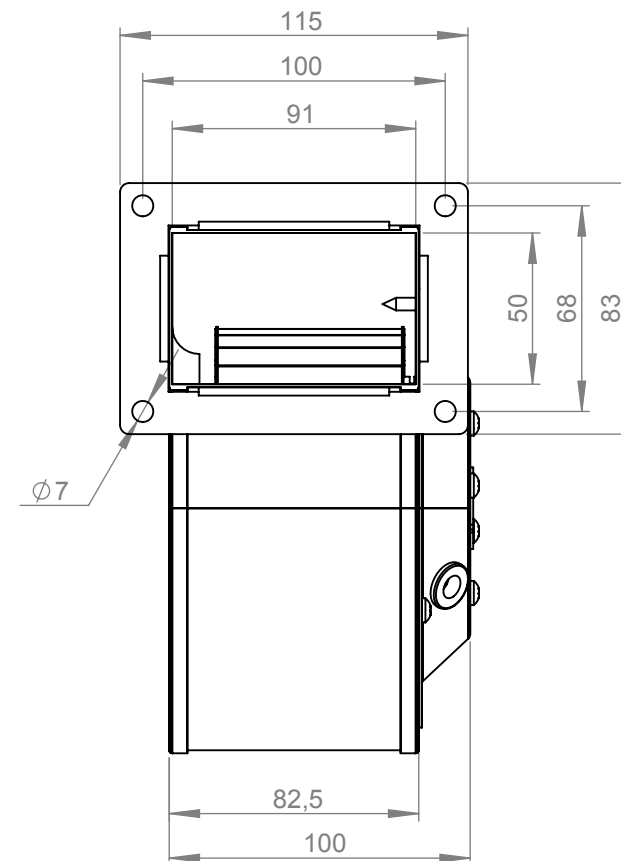
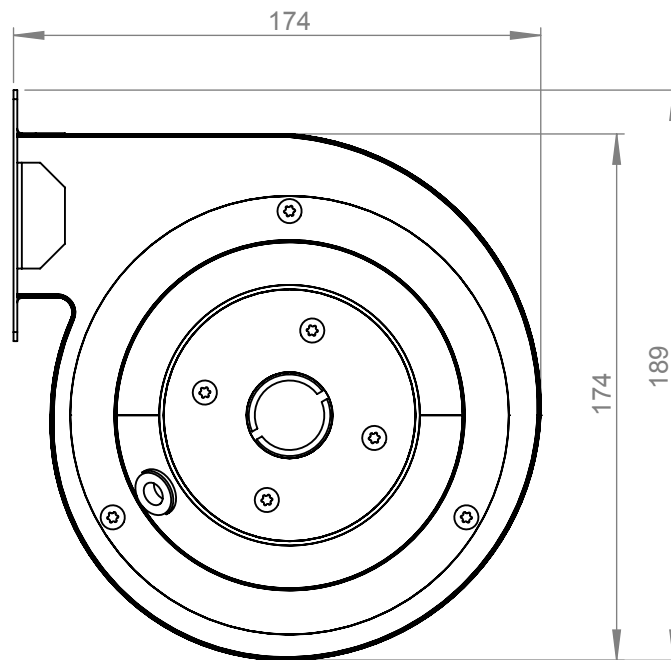


- Forward curved centrifugal fan
- Galvanized metal housing
- Galvanized steel impeller
- Speed controllable
- Integrated thermostatic switch

| Operating Point                 |       | 1    | 2    | 3    | 4    | 5    |
|---------------------------------|-------|------|------|------|------|------|
| Current $I$                     | A     | 0,3  | 0,3  | 0,3  | 0,3  | 0,4  |
| Power consumption $P_1$         | W     | 44   | 46   | 51   | 56   | 68   |
| Rotation speed $n$              | 1/min | 2864 | 2815 | 2731 | 2610 | 2445 |
| SWL inlet $L_{WA5}$             | dB(A) | 68   | 68   | 68   | 69   | 70   |
| SWL outlet $L_{WA6}$            | dB(A) | 67   | 68   | 68   | 69   | 69   |
| SWL housing break out $L_{WA2}$ | dB(A) | -    | -    | -    | -    | -    |

| Sound power ( $L_W$ ) dB(A) |           | Medium Frequency Band |    |     |     |     |    |    |    |    |
|-----------------------------|-----------|-----------------------|----|-----|-----|-----|----|----|----|----|
|                             |           | $\Sigma$              | 63 | 125 | 250 | 500 | 1k | 2k | 4k | 8k |
| Inlet                       | $L_{WA5}$ | 68                    | 48 | 53  | 56  | 64  | 61 | 59 | 59 | 56 |
| Outlet                      | $L_{WA6}$ | 68                    | 44 | 53  | 55  | 59  | 62 | 64 | 58 | 54 |
| Housing radiation           | $L_{WA2}$ | -                     | -  | -   | -   | -   | -  | -  | -  | -  |

| GE 120 2A 100249   100249         |          |
|-----------------------------------|----------|
| Voltage $U_N$                     | 230 V 1~ |
| Current $I_{max}$                 | 0,4 A    |
| Ambient temperature $t_A$         | 80 °C    |
| Conveyed medium temperature $t_M$ | 80 °C    |
| Speed Control                     | V        |
| Motor protection                  | TAI      |
| Insulation class motor            | F        |
| Weight                            | 2,1 kg   |
| Number of poles                   | 2        |
| IP motor                          | IP33     |
| IP terminal box                   | -        |
| IP complete unit                  | IPX4     |
| Min. operating temperature        | -25 °C   |



ruck Ventilatoren  
Max-Planck-Str. 5  
D-97944 Boxberg



Protection Mark  
according to ISO16016

Drawn: m.deissler  
Created: sy  
Changed: d.andree

1:2 A4 mm

General tolerances  
DIN ISO 2768-c

22.05.17  
26.06.06  
14.03.18

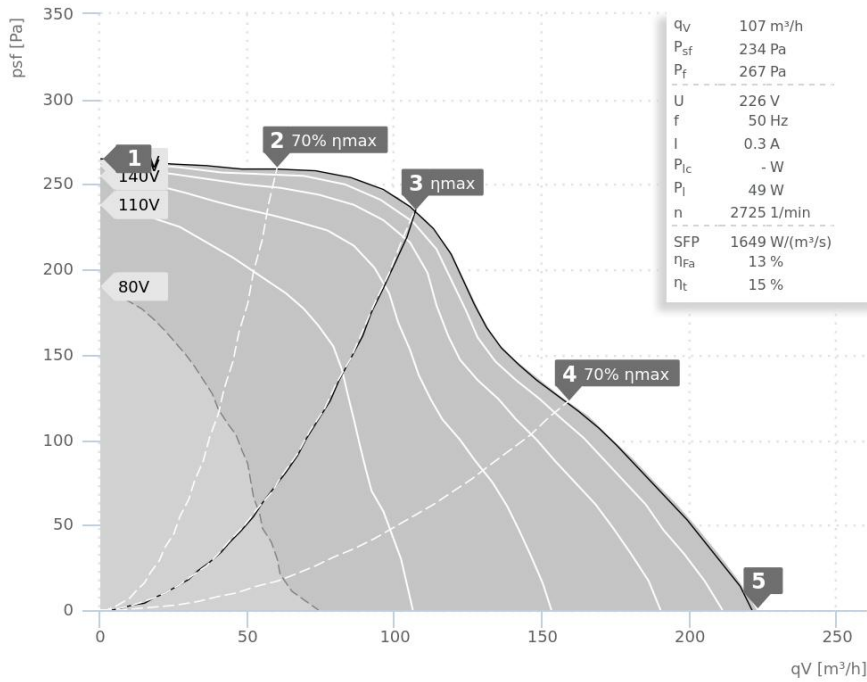
**GE1202A100249+**

**100249 02**



# DATA SHEET

## GE 120 2A 100251 | 100251

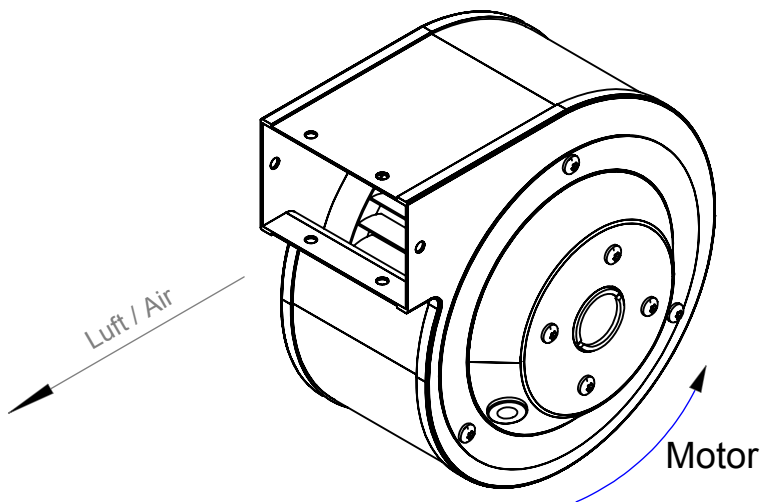
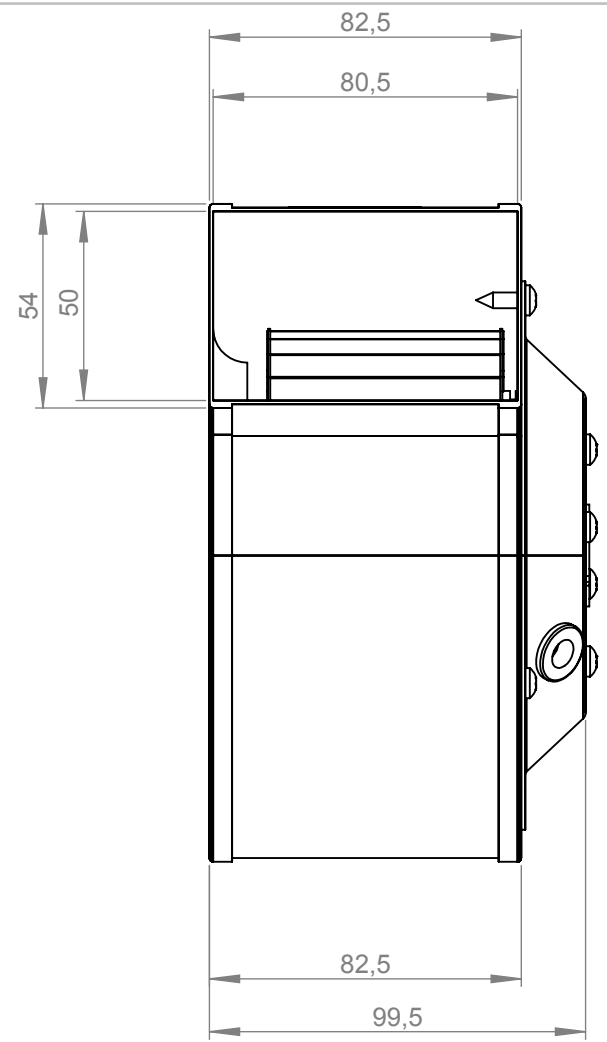
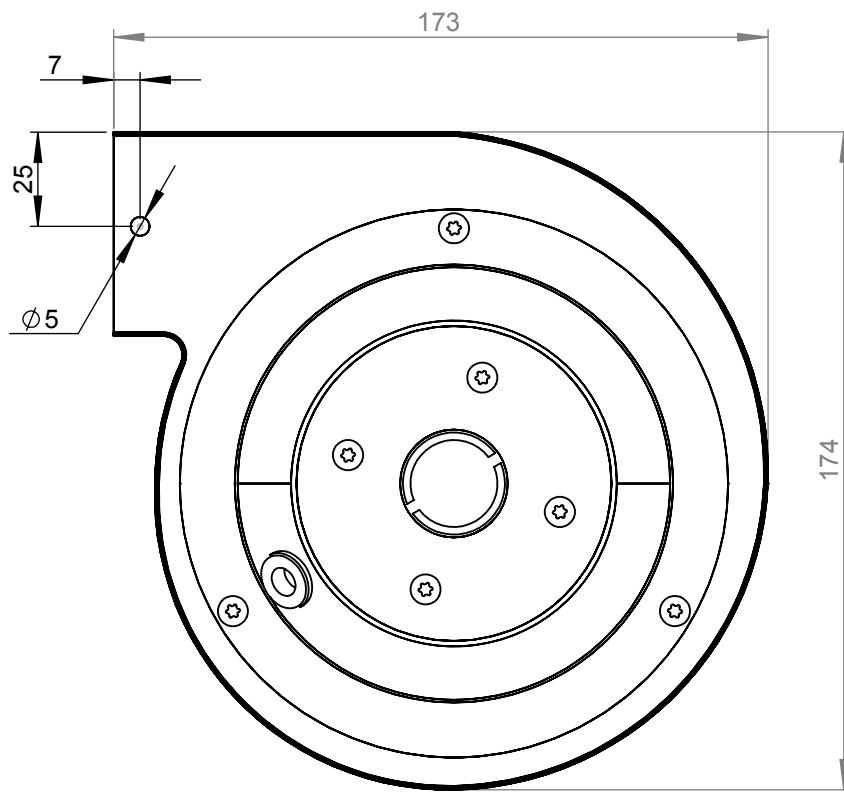


- Forward curved centrifugal fan
- Galvanized metal housing
- Galvanized steel impeller
- Speed controllable
- Integrated thermostatic switch

| Operating Point                 |       | 1    | 2    | 3    | 4    | 5    |
|---------------------------------|-------|------|------|------|------|------|
| Current $I$                     | A     | 0,3  | 0,3  | 0,3  | 0,3  | 0,4  |
| Power consumption $P_1$         | W     | 44   | 46   | 51   | 56   | 68   |
| Rotation speed $n$              | 1/min | 2864 | 2815 | 2731 | 2610 | 2445 |
| SWL inlet $L_{WA5}$             | dB(A) | 68   | 68   | 68   | 69   | 70   |
| SWL outlet $L_{WA6}$            | dB(A) | 67   | 68   | 68   | 69   | 69   |
| SWL housing break out $L_{WA2}$ | dB(A) | -    | -    | -    | -    | -    |

| Sound power ( $L_W$ ) dB(A) |           | Medium Frequency Band |    |     |     |     |    |    |    |    |
|-----------------------------|-----------|-----------------------|----|-----|-----|-----|----|----|----|----|
|                             |           | $\Sigma$              | 63 | 125 | 250 | 500 | 1k | 2k | 4k | 8k |
| Inlet                       | $L_{WA5}$ | 68                    | 48 | 53  | 56  | 64  | 61 | 59 | 59 | 56 |
| Outlet                      | $L_{WA6}$ | 68                    | 44 | 53  | 55  | 59  | 62 | 64 | 58 | 54 |
| Housing radiation           | $L_{WA2}$ | -                     | -  | -   | -   | -   | -  | -  | -  | -  |

| GE 120 2A 100251   100251         |          |
|-----------------------------------|----------|
| Voltage $U_N$                     | 230 V 1~ |
| Current $I_{max}$                 | 0,4 A    |
| Ambient temperature $t_A$         | 80 °C    |
| Conveyed medium temperature $t_M$ | 80 °C    |
| Speed Control                     | V        |
| Motor protection                  | TAI      |
| Insulation class motor            | F        |
| Weight                            | 2,0 kg   |
| Number of poles                   | 2        |
| IP motor                          | IP33     |
| IP terminal box                   | -        |
| IP complete unit                  | IPX4     |
| Min. operating temperature        | -25 °C   |



ruck Ventilatoren  
Max-Planck-Str. 5  
D-97944 Boxberg



1:2 A4 mm

Protection Mark  
according to ISO16016

General tolerances  
DIN ISO 2768-c

**GE1202A100251+**

Drawn: m.deissler  
Created: m.deissler  
Changed:

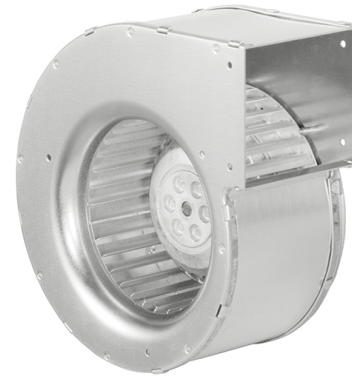
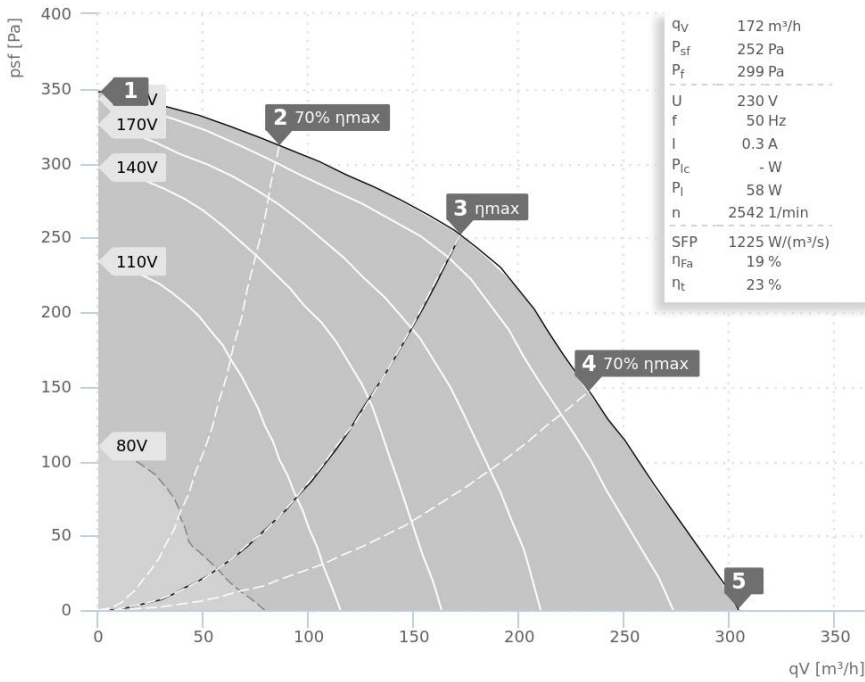
22.05.2017  
22.05.2017

**100251 01**



# DATA SHEET

GE 120 2B 100252 | 100252

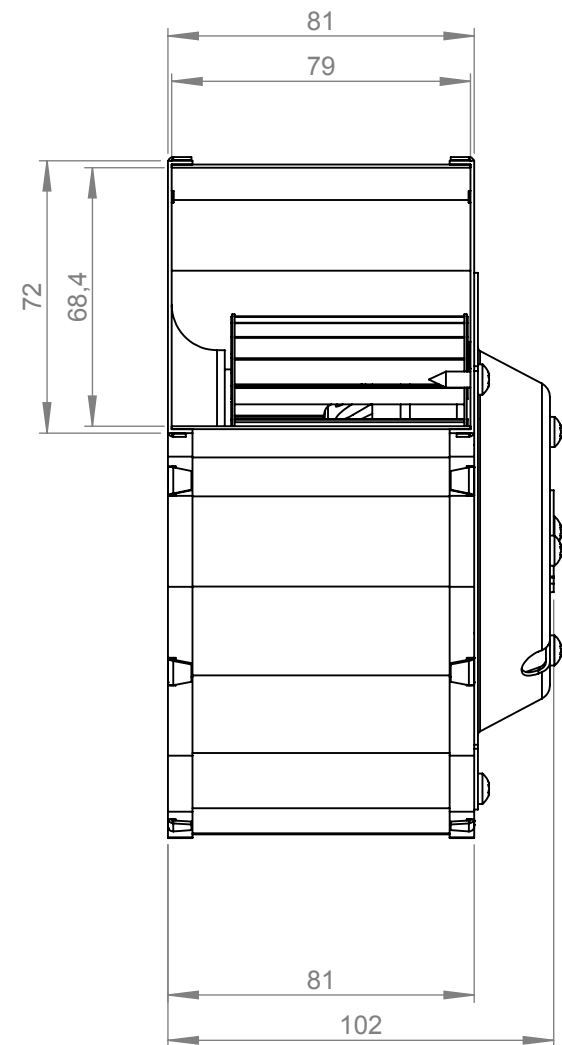
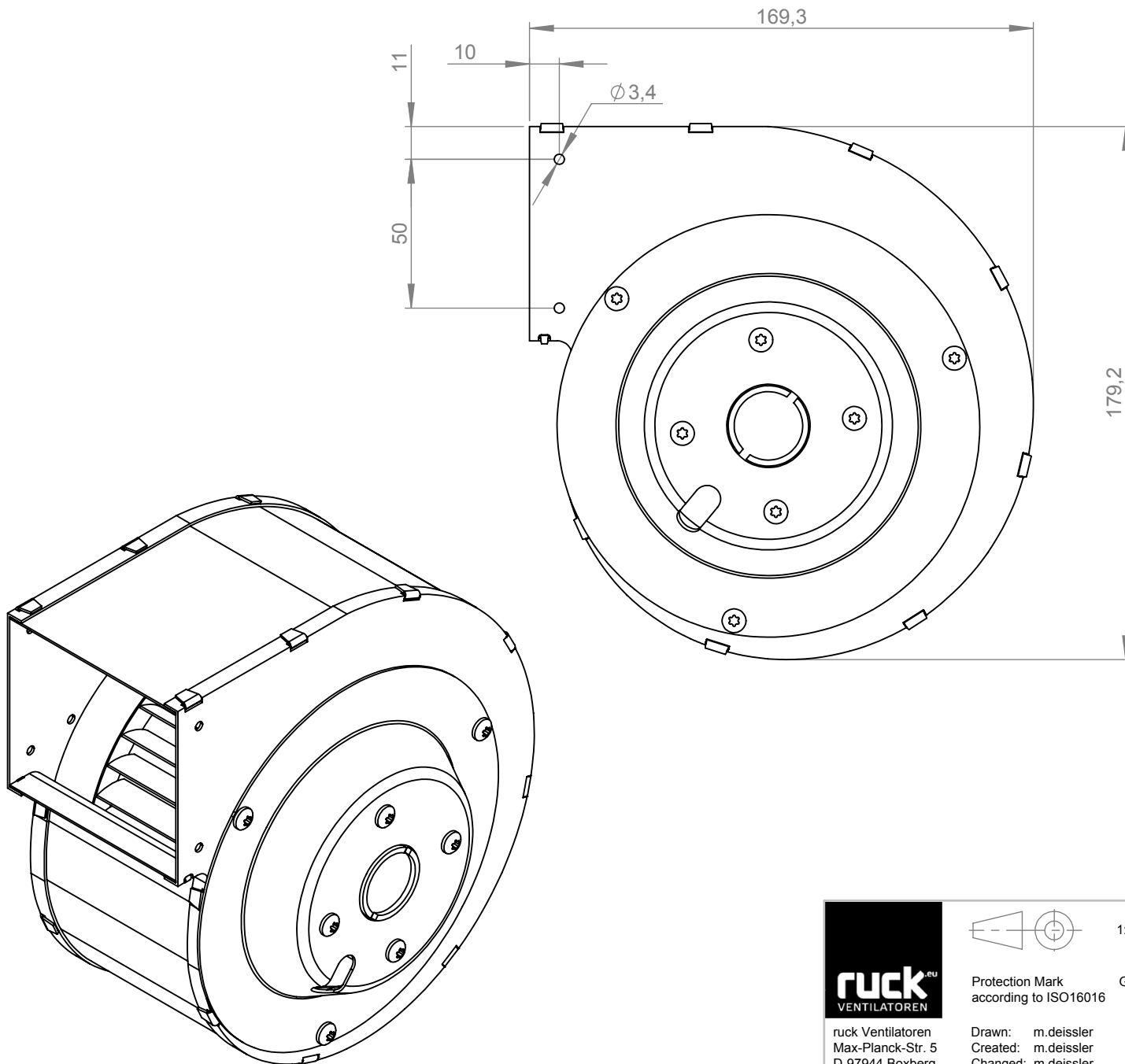


- Forward curved centrifugal fan
- Galvanized metal housing
- Galvanized steel impeller
- Speed controllable
- Integrated thermostatic switch

| Operating Point                        |       | 1    | 2    | 3    | 4    | 5    |
|--|-------|------|------|------|------|------|
| Current I                              | A     | 0,3  | 0,3  | 0,3  | 0,4  | 0,4  |
| Power consumption P <sub>1</sub>       | W     | 49   | 51   | 58   | 66   | 80   |
| Rotation speed n                       | 1/min | 2768 | 2724 | 2542 | 2395 | 2092 |
| SWL inlet L <sub>WA5</sub>             | dB(A) | 68   | 69   | 69   | 69   | 70   |
| SWL outlet L <sub>WA6</sub>            | dB(A) | 67   | 68   | 69   | 69   | 70   |
| SWL housing break out L <sub>WA2</sub> | dB(A) | -    | -    | -    | -    | -    |

| Sound power (L <sub>w</sub> ) dB(A) |                  | Medium Frequency Band |    |     |     |     |    |    |    |    |
|-------------------------------------|------------------|-----------------------|----|-----|-----|-----|----|----|----|----|
|                                     |                  | Σ                     | 63 | 125 | 250 | 500 | 1k | 2k | 4k | 8k |
| Inlet                               | L <sub>WA5</sub> | 69                    | 39 | 50  | 54  | 59  | 64 | 62 | 61 | 58 |
| Outlet                              | L <sub>WA6</sub> | 69                    | 38 | 48  | 52  | 56  | 64 | 63 | 61 | 59 |
| Housing radiation                   | L <sub>WA2</sub> | -                     | -  | -   | -   | -   | -  | -  | -  | -  |

| GE 120 2B 100252   100252                  |          |
|--|----------|
| Voltage U <sub>N</sub>                     | 230 V 1~ |
| Current I <sub>max</sub>                   | 0,4 A    |
| Ambient temperature t <sub>A</sub>         | 80 °C    |
| Conveyed medium temperature t <sub>M</sub> | 80 °C    |
| Speed Control                              | V        |
| Motor protection                           | TAI      |
| Insulation class motor                     | F        |
| Weight                                     | 1,9 kg   |
| Number of poles                            | 2        |
| IP motor                                   | IP33     |
| IP terminal box                            | -        |
| IP complete unit                           | IPX3     |
| Min. operating temperature                 | -25 °C   |



ruck Ventilatoren  
Max-Planck-Str. 5  
D-97944 Boxberg



Protection Mark  
according to ISO16016

Drawn: m.deissler  
Created: m.deissler  
Changed: m.deissler

1:2 A4 mm

General tolerances  
DIN ISO 2768-c

**GE1202B100252+**

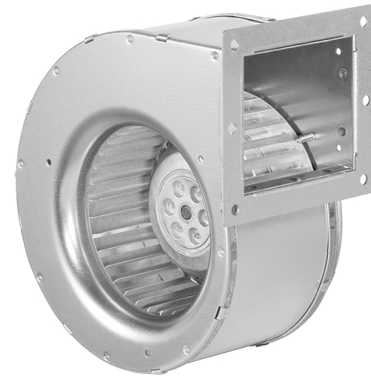
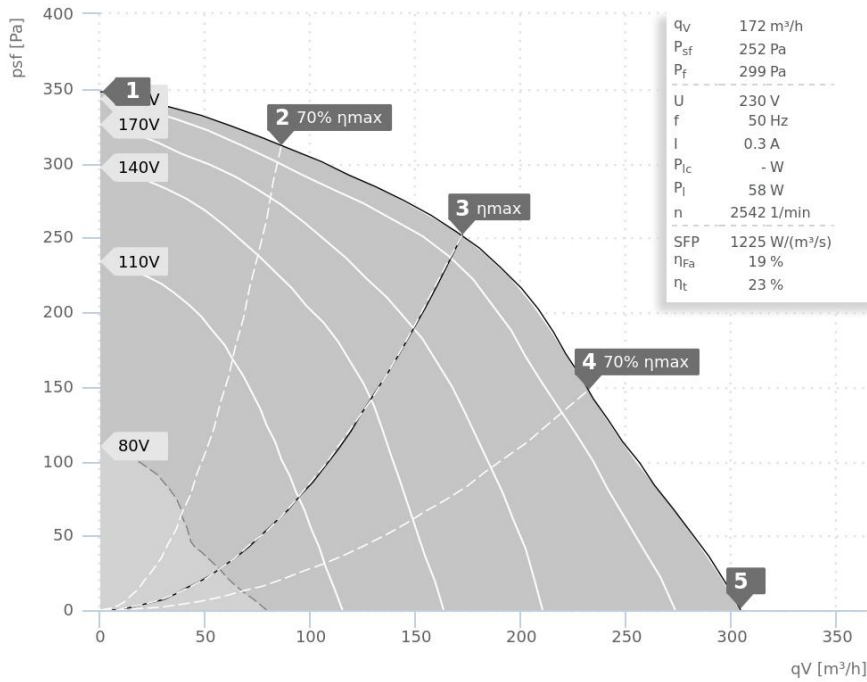
**100252 01**



# DATA SHEET

**ruck**.eu  
VENTILATOREN

GE 120 2B 100253 | 100253

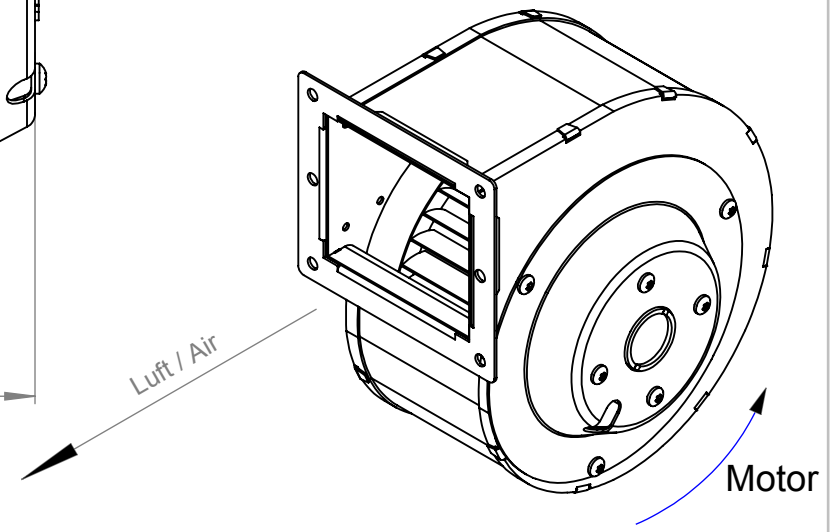
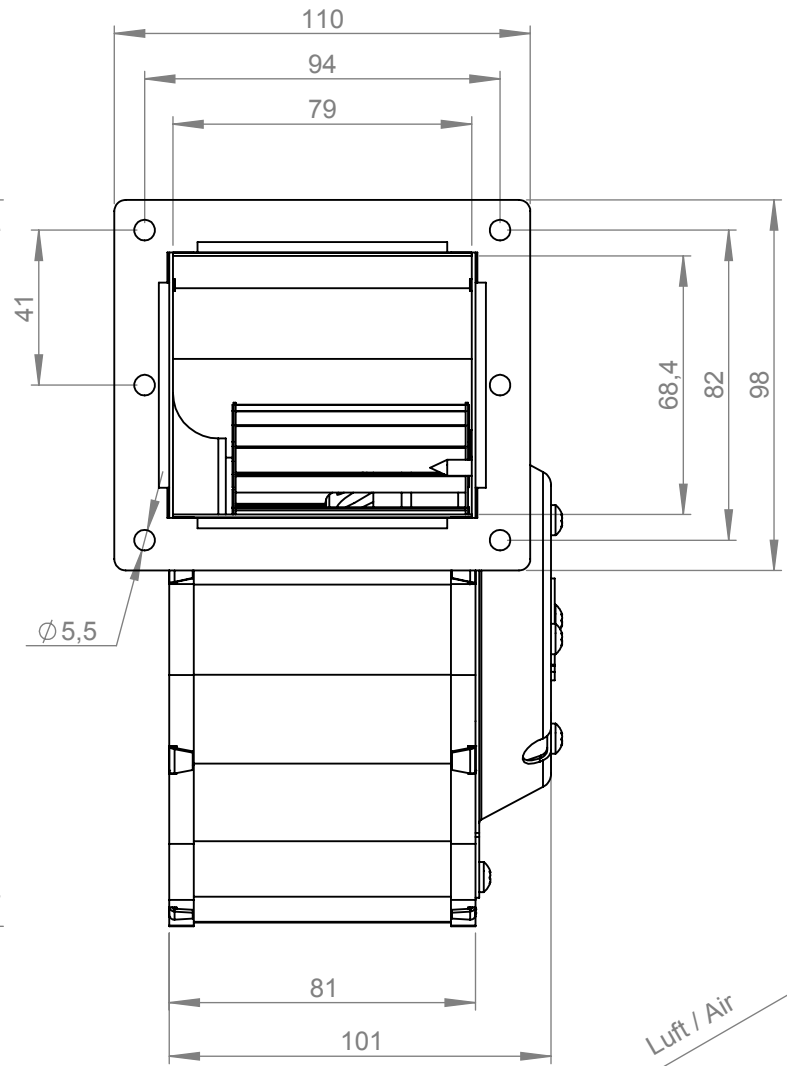
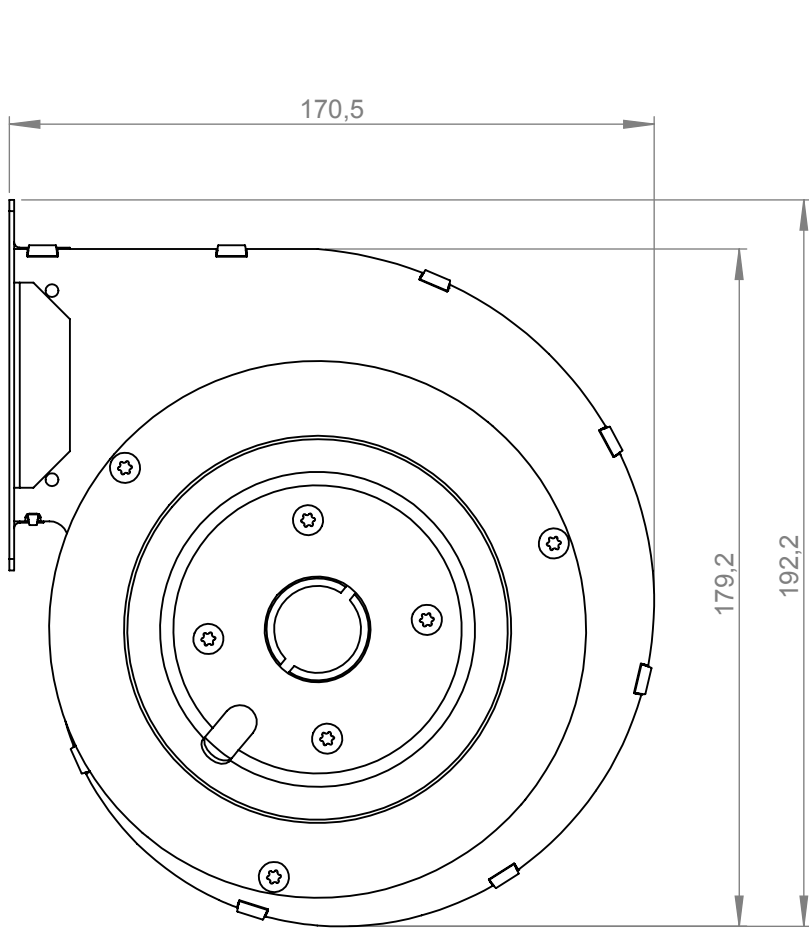


- Forward curved centrifugal fan
- Galvanized metal housing
- Galvanized steel impeller
- Speed controllable
- Integrated thermostatic switch

| Operating Point                 |       | 1    | 2    | 3    | 4    | 5    |
|---------------------------------|-------|------|------|------|------|------|
| Current $I$                     | A     | 0,3  | 0,3  | 0,3  | 0,4  | 0,4  |
| Power consumption $P_1$         | W     | 49   | 51   | 58   | 66   | 80   |
| Rotation speed $n$              | 1/min | 2768 | 2724 | 2542 | 2395 | 2092 |
| SWL inlet $L_{WA5}$             | dB(A) | 68   | 69   | 69   | 69   | 70   |
| SWL outlet $L_{WA6}$            | dB(A) | 67   | 68   | 69   | 69   | 70   |
| SWL housing break out $L_{WA2}$ | dB(A) | -    | -    | -    | -    | -    |


| Sound power ( $L_W$ ) dB(A) |           | Medium Frequency Band |    |     |     |     |    |    |    |    |
|-----------------------------|-----------|-----------------------|----|-----|-----|-----|----|----|----|----|
|                             |           | $\Sigma$              | 63 | 125 | 250 | 500 | 1k | 2k | 4k | 8k |
| Inlet                       | $L_{WA5}$ | 69                    | 39 | 50  | 54  | 59  | 64 | 62 | 61 | 58 |
| Outlet                      | $L_{WA6}$ | 69                    | 38 | 48  | 52  | 56  | 64 | 63 | 61 | 59 |
| Housing radiation           | $L_{WA2}$ | -                     | -  | -   | -   | -   | -  | -  | -  | -  |

| GE 120 2B 100253   100253         |          |
|-----------------------------------|----------|
| Voltage $U_N$                     | 230 V 1~ |
| Current $I_{max}$                 | 0,4 A    |
| Ambient temperature $t_A$         | 80 °C    |
| Conveyed medium temperature $t_M$ | 80 °C    |
| Speed Control                     | V        |
| Motor protection                  | TAI      |
| Insulation class motor            | F        |
| Weight                            | 2,2 kg   |
| Number of poles                   | 2        |
| IP motor                          | IP33     |
| IP terminal box                   | -        |
| IP complete unit                  | IPX3     |
| Min. operating temperature        | -25 °C   |



**ruck**<sup>EU</sup>  
VENTILATOREN

ruck Ventilatoren  
Max-Planck-Str. 5  
D-97944 Boxberg

 1:2 A4 mm

Protection Mark according to ISO16016

General tolerances DIN ISO 2768-c

Drawn: m.deissler 14.01.2015  
Created: m.deissler 04.11.2014  
Changed:

**GE1202B100253+**

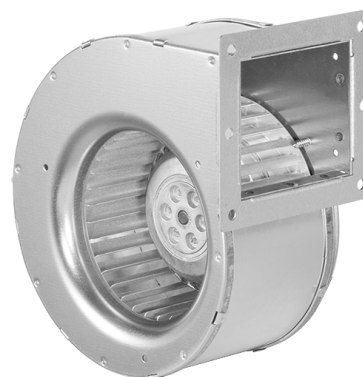
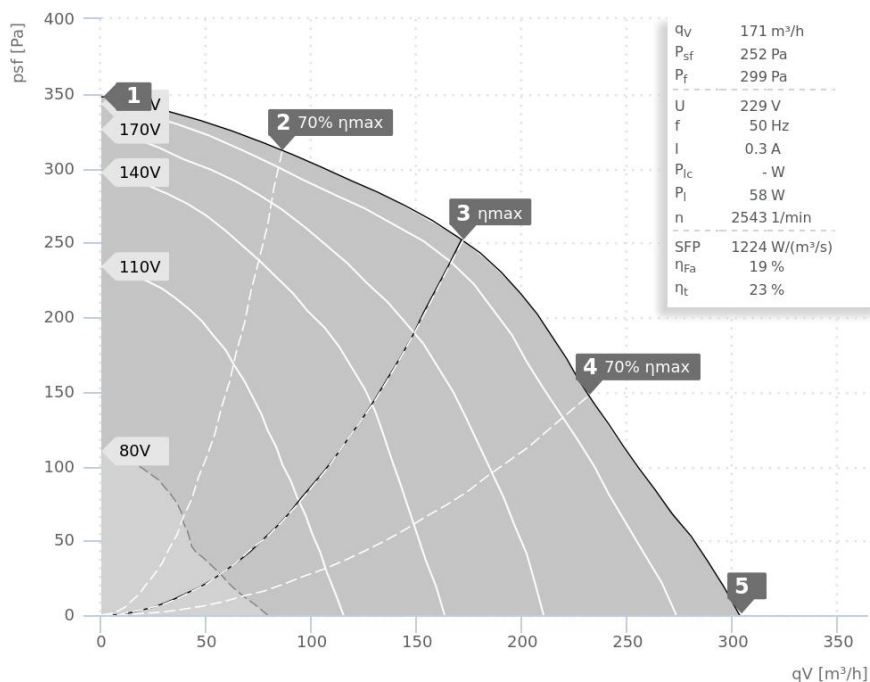
**100253 01**





# DATA SHEET

GE 120 2B 100433 | 100433

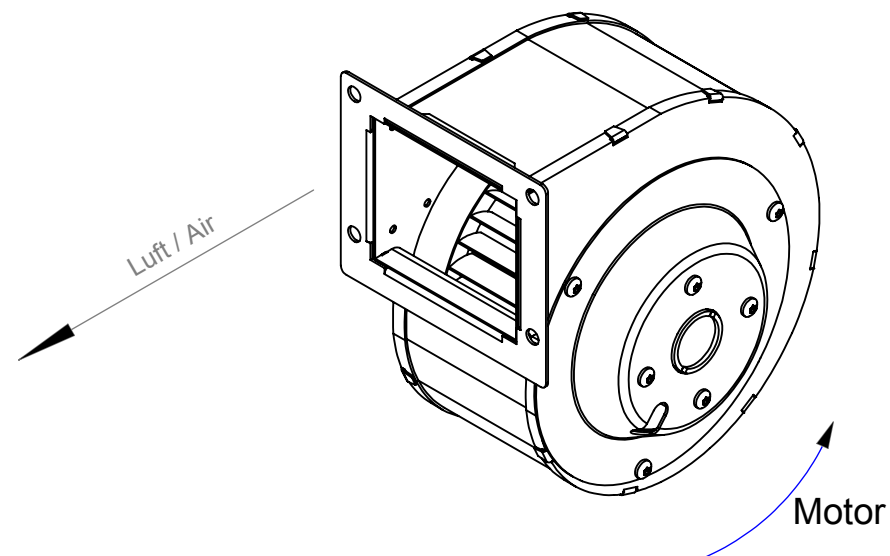
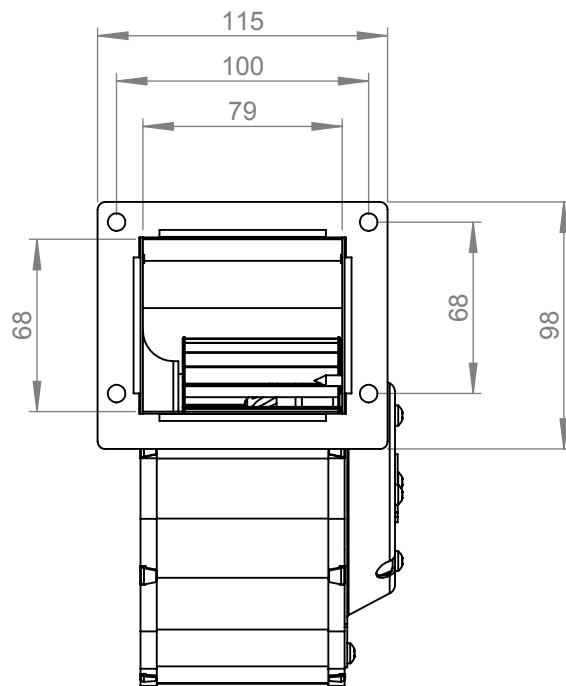
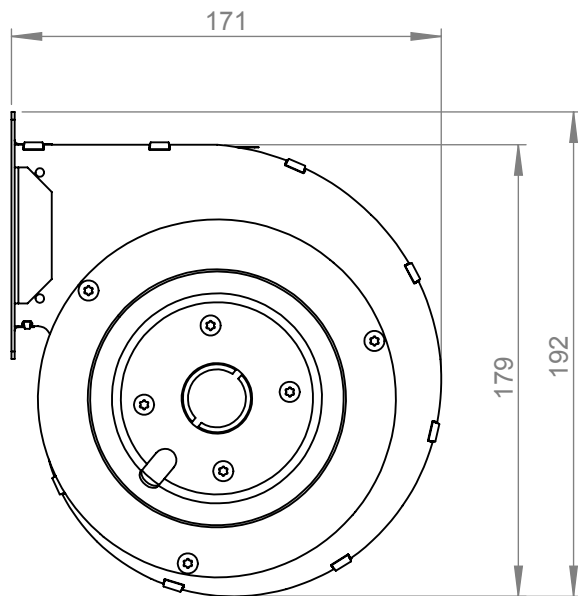


- Forward curved centrifugal fan
- Galvanized metal housing
- Galvanized steel impeller
- Speed controllable
- Integrated thermostatic switch

| Operating Point                        |       | 1    | 2    | 3    | 4    | 5    |
|--|-------|------|------|------|------|------|
| Current I                              | A     | 0,3  | 0,3  | 0,3  | 0,4  | 0,4  |
| Power consumption P <sub>i</sub>       | W     | 49   | 51   | 58   | 66   | 80   |
| Rotation speed n                       | 1/min | 2768 | 2724 | 2542 | 2395 | 2092 |
| SWL inlet L <sub>WA5</sub>             | dB(A) | 68   | 69   | 69   | 69   | 70   |
| SWL outlet L <sub>WA6</sub>            | dB(A) | 67   | 68   | 69   | 69   | 70   |
| SWL housing break out L <sub>WA2</sub> | dB(A) | -    | -    | -    | -    | -    |

| Sound power (L <sub>w</sub> ) dB(A) |                  | Medium Frequency Band |    |     |     |     |    |    |    |    |
|-------------------------------------|------------------|-----------------------|----|-----|-----|-----|----|----|----|----|
|                                     |                  | Σ                     | 63 | 125 | 250 | 500 | 1k | 2k | 4k | 8k |
| Inlet                               | L <sub>WA5</sub> | 69                    | 39 | 50  | 54  | 59  | 64 | 62 | 61 | 58 |
| Outlet                              | L <sub>WA6</sub> | 69                    | 38 | 48  | 52  | 56  | 64 | 63 | 61 | 59 |
| Housing radiation                   | L <sub>WA2</sub> | -                     | -  | -   | -   | -   | -  | -  | -  | -  |

| GE 120 2B 100433   100433                  |          |
|--|----------|
| Voltage U <sub>N</sub>                     | 230 V 1~ |
| Current I <sub>max</sub>                   | 0,4 A    |
| Ambient temperature t <sub>A</sub>         | 80 °C    |
| Conveyed medium temperature t <sub>M</sub> | 80 °C    |
| Speed Control                              | V        |
| Motor protection                           | TAI      |
| Insulation class motor                     | F        |
| Weight                                     | 2,0 kg   |
| Number of poles                            | 2        |
| IP motor                                   | IP33     |
| IP terminal box                            | -        |
| IP complete unit                           | IPX3     |
| Min. operating temperature                 | -25 °C   |



ruck Ventilatoren  
Max-Planck-Str. 5  
D-97944 Boxberg



Protection Mark  
according to ISO16016

Drawn: m.deissler  
Created: m.deissler  
Changed: m.deissler

1:3 A4 mm

General tolerances  
DIN ISO 2768-c

27.02.2015  
27.02.2015  
27.02.15

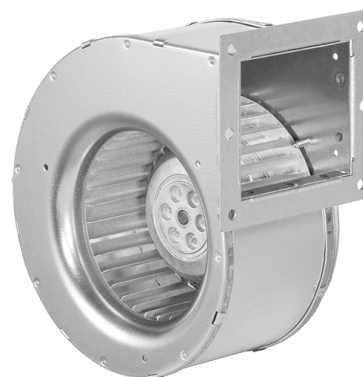
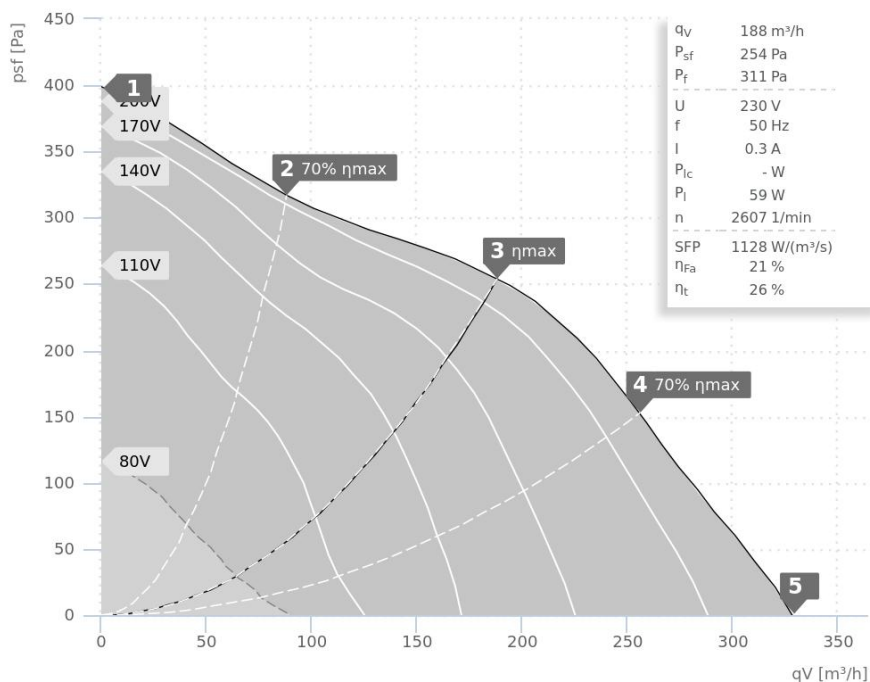
**GE1202B100433**

**100433 01**



# DATA SHEET

GE 120 2B 100434 | 100434

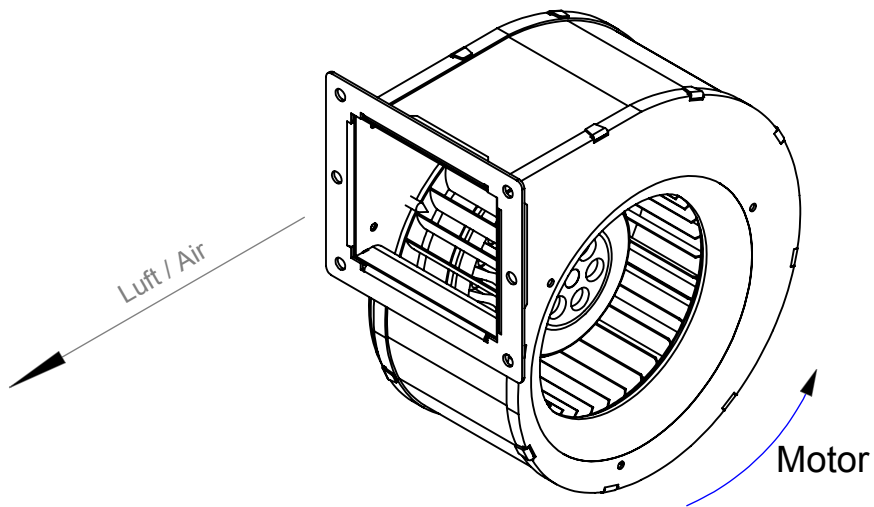
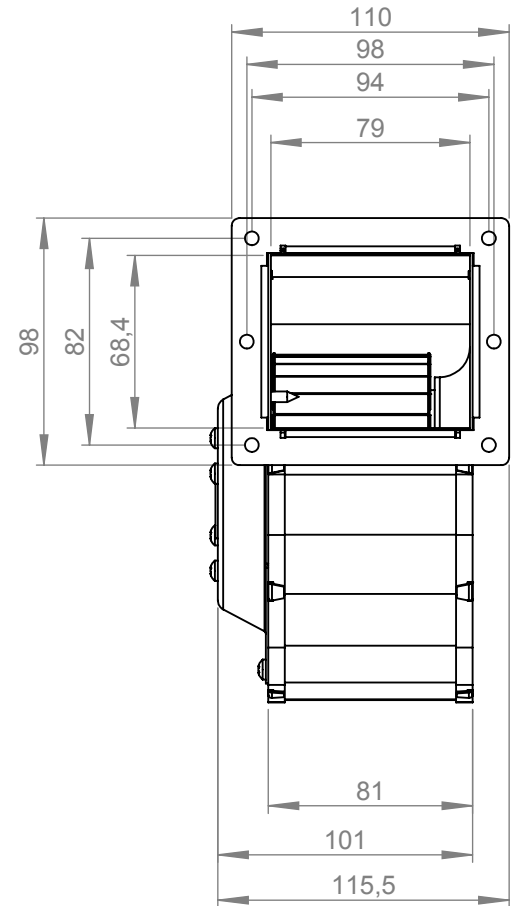
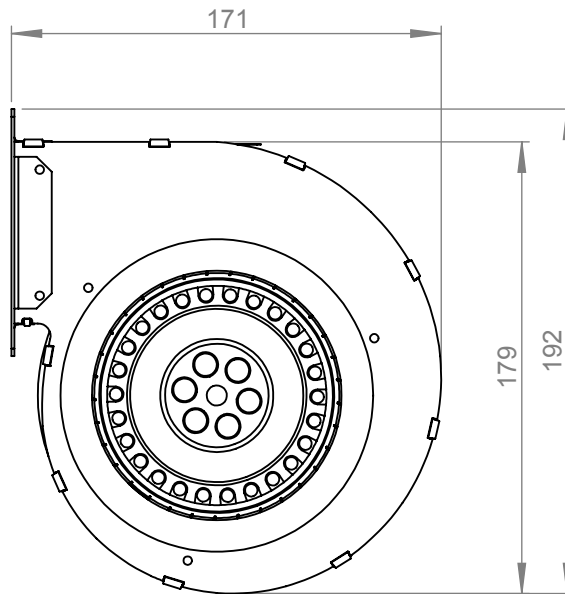


- Forward curved centrifugal fan
- Galvanized metal housing
- Left rotation
- Galvanized steel impeller
- Speed controllable
- Integrated thermostatic switch

| Operating Point                 |       | 1    | 2    | 3    | 4    | 5    |
|---------------------------------|-------|------|------|------|------|------|
| Current $I$                     | A     | 0,3  | 0,3  | 0,3  | 0,4  | 0,4  |
| Power consumption $P_1$         | W     | 47   | 50   | 59   | 68   | 85   |
| Rotation speed $n$              | 1/min | 2825 | 2765 | 2607 | 2444 | 2098 |
| SWL inlet $L_{WA5}$             | dB(A) | 65   | 66   | 66   | 67   | 69   |
| SWL outlet $L_{WA6}$            | dB(A) | 66   | 66   | 66   | 68   | 70   |
| SWL housing break out $L_{WA2}$ | dB(A) | -    | -    | -    | -    | -    |

| Sound power ( $L_W$ ) dB(A) |           | Medium Frequency Band |    |     |     |     |    |    |    |    |
|-----------------------------|-----------|-----------------------|----|-----|-----|-----|----|----|----|----|
|                             |           | $\Sigma$              | 63 | 125 | 250 | 500 | 1k | 2k | 4k | 8k |
| Inlet                       | $L_{WA5}$ | 66                    | 35 | 45  | 53  | 59  | 61 | 60 | 58 | 51 |
| Outlet                      | $L_{WA6}$ | 66                    | 38 | 44  | 51  | 56  | 60 | 61 | 58 | 53 |
| Housing radiation           | $L_{WA2}$ | -                     | -  | -   | -   | -   | -  | -  | -  | -  |

| GE 120 2B 100434   100434         |          |
|-----------------------------------|----------|
| Voltage $U_N$                     | 230 V 1~ |
| Current $I_{max}$                 | 0,4 A    |
| Ambient temperature $t_A$         | 65 °C    |
| Conveyed medium temperature $t_M$ | 65 °C    |
| Speed Control                     | V        |
| Motor protection                  | TAI      |
| Insulation class motor            | B        |
| Weight                            | 2,0 kg   |
| Number of poles                   | 2        |
| IP motor                          | IP33     |
| IP terminal box                   | -        |
| IP complete unit                  | IPX4     |
| Min. operating temperature        | -25 °C   |



1:3 A4 mm

**ruck**<sup>EU</sup>  
VENTILATOREN

ruck Ventilatoren  
Max-Planck-Str. 5  
D-97944 Boxberg

Protection Mark  
according to ISO16016

Drawn: m.deissler  
Created: m.deissler  
Changed:

General tolerances  
DIN ISO 2768-c

24.05.2017  
24.05.2017

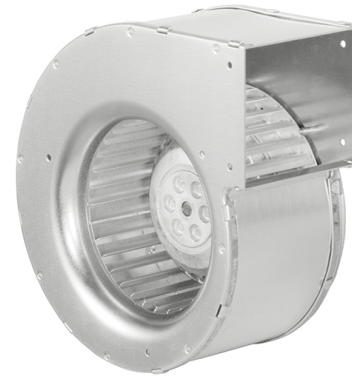
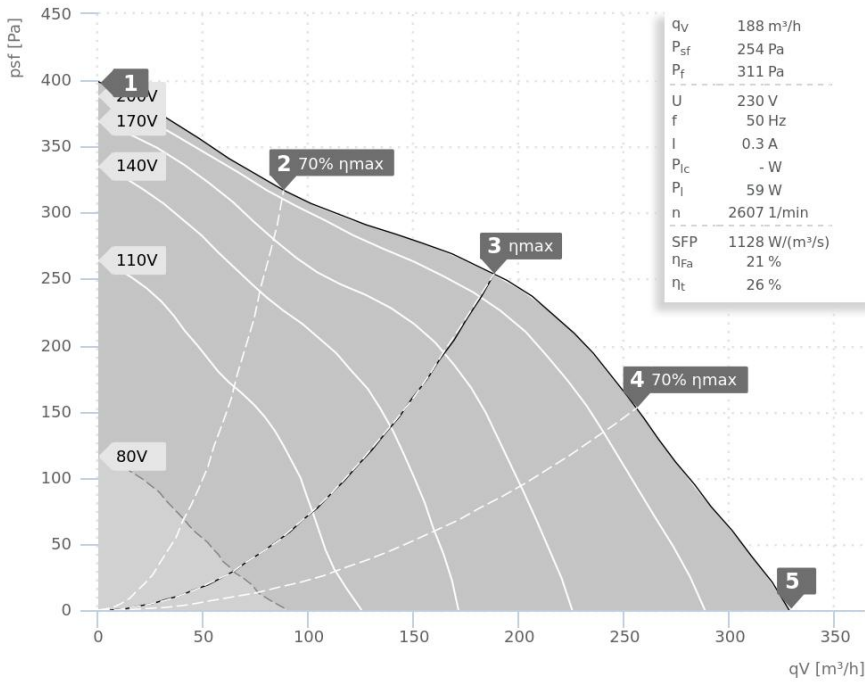
**GE1202B100434**

**100434 01**

**VENTAS**  
VENTILATORER

# DATA SHEET

GE 120 2B 101397 | 101397

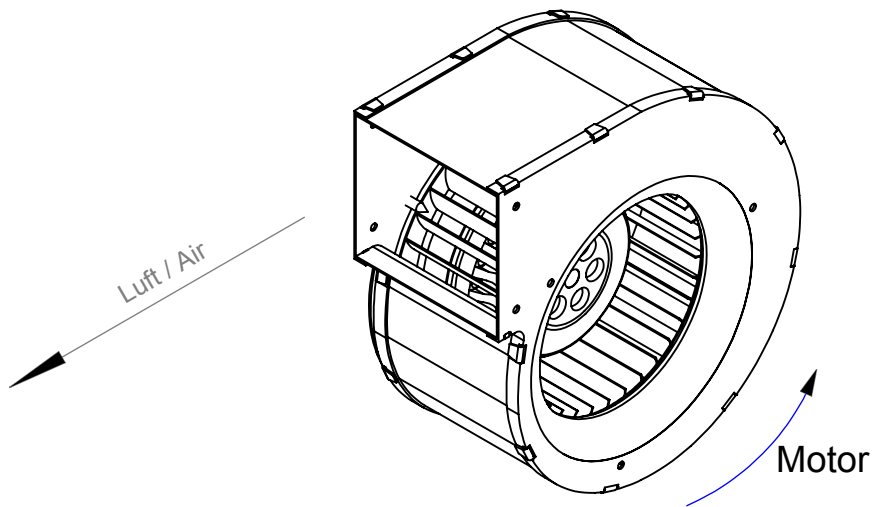
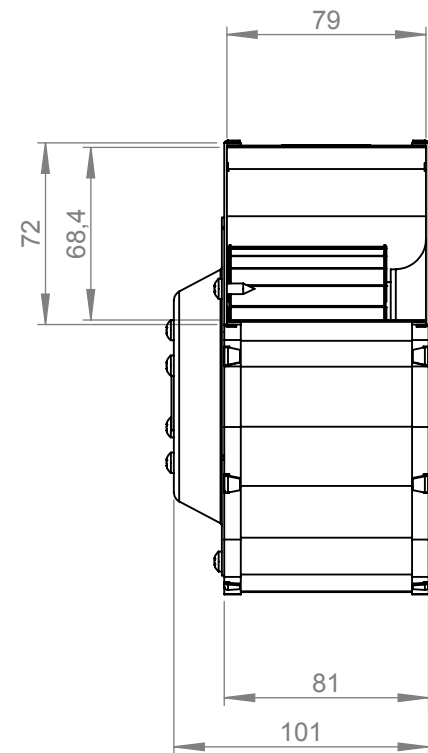
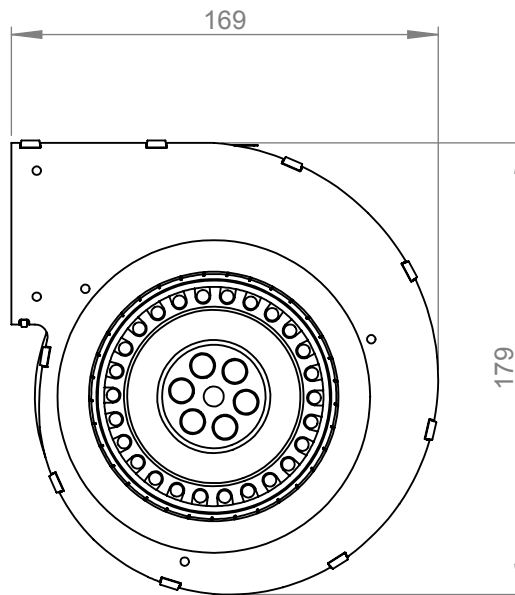


- Forward curved centrifugal fan
- Galvanized metal housing
- Left rotation
- Galvanized steel impeller
- Speed controllable
- Integrated thermostatic switch

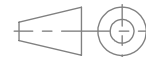
| Operating Point                 |       | 1    | 2    | 3    | 4    | 5    |
|---------------------------------|-------|------|------|------|------|------|
| Current I                       | A     | 0,3  | 0,3  | 0,3  | 0,4  | 0,4  |
| Power consumption $P_1$         | W     | 47   | 50   | 59   | 68   | 85   |
| Rotation speed n                | 1/min | 2825 | 2765 | 2607 | 2444 | 2098 |
| SWL inlet $L_{WA5}$             | dB(A) | 65   | 66   | 66   | 67   | 69   |
| SWL outlet $L_{WA6}$            | dB(A) | 66   | 66   | 66   | 68   | 70   |
| SWL housing break out $L_{WA2}$ | dB(A) | -    | -    | -    | -    | -    |

| Sound power ( $L_W$ ) dB(A) |           | Medium Frequency Band |    |     |     |     |    |    |    |    |
|-----------------------------|-----------|-----------------------|----|-----|-----|-----|----|----|----|----|
|                             |           | $\Sigma$              | 63 | 125 | 250 | 500 | 1k | 2k | 4k | 8k |
| Inlet                       | $L_{WA5}$ | 66                    | 35 | 45  | 53  | 59  | 61 | 60 | 58 | 51 |
| Outlet                      | $L_{WA6}$ | 66                    | 38 | 44  | 51  | 56  | 60 | 61 | 58 | 53 |
| Housing radiation           | $L_{WA2}$ | -                     | -  | -   | -   | -   | -  | -  | -  | -  |

| GE 120 2B 101397   101397         |          |
|-----------------------------------|----------|
| Voltage $U_N$                     | 230 V 1~ |
| Current $I_{max}$                 | 0,4 A    |
| Ambient temperature $t_A$         | 80 °C    |
| Conveyed medium temperature $t_M$ | 80 °C    |
| Speed Control                     | V        |
| Motor protection                  | TAI      |
| Insulation class motor            | B        |
| Weight                            | 1,9 kg   |
| Number of poles                   | 2        |
| IP motor                          | IP33     |
| IP terminal box                   | -        |
| IP complete unit                  | IPX4     |
| Min. operating temperature        | -25 °C   |



ruck Ventilatoren  
Max-Planck-Str. 5  
D-97944 Boxberg



Protection Mark  
according to ISO16016

Drawn: m.deissler  
Created: m.deissler  
Changed:

1:3 A4 mm

General tolerances  
DIN ISO 2768-c

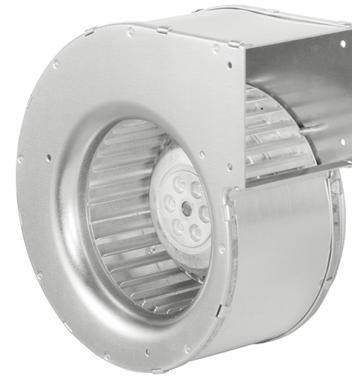
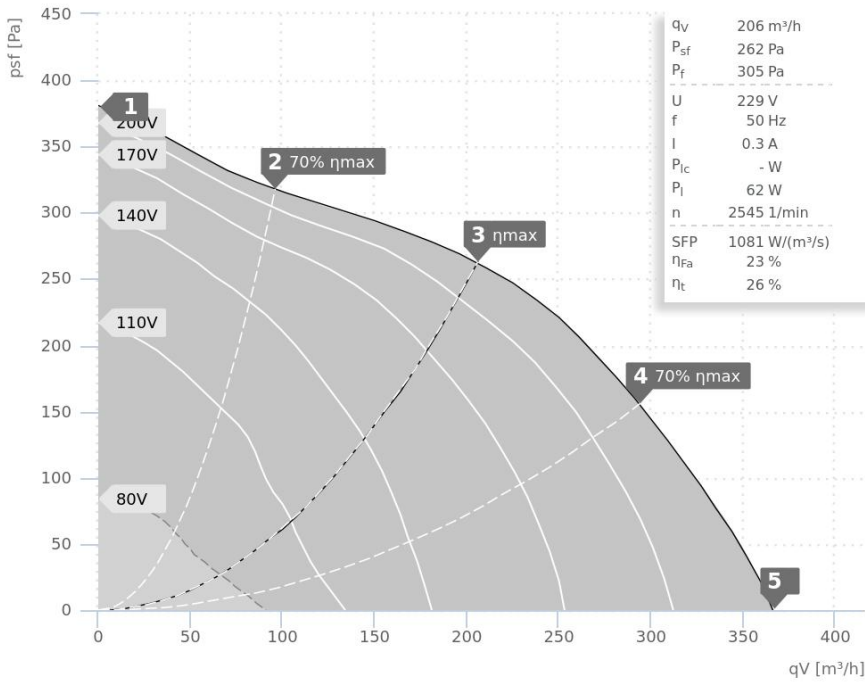
**GE1202B101397**

**101397 00**



# DATA SHEET

GE 120 2C 100436 | 100436

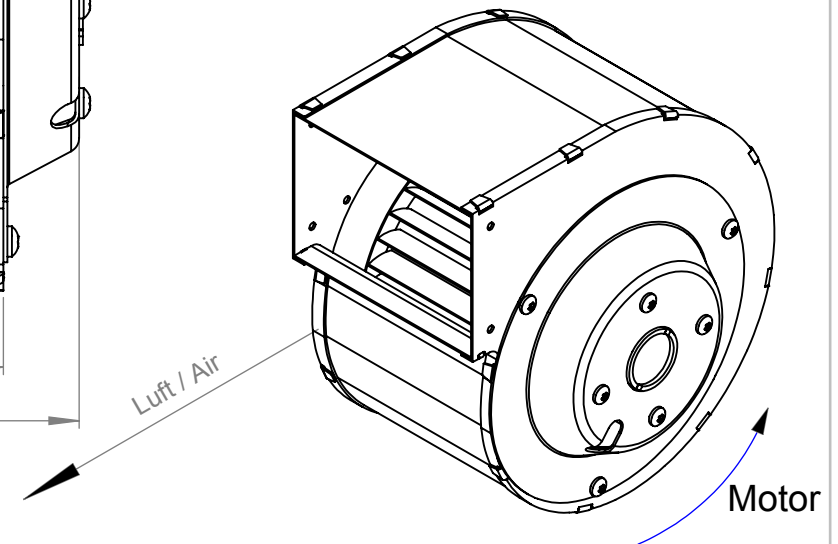
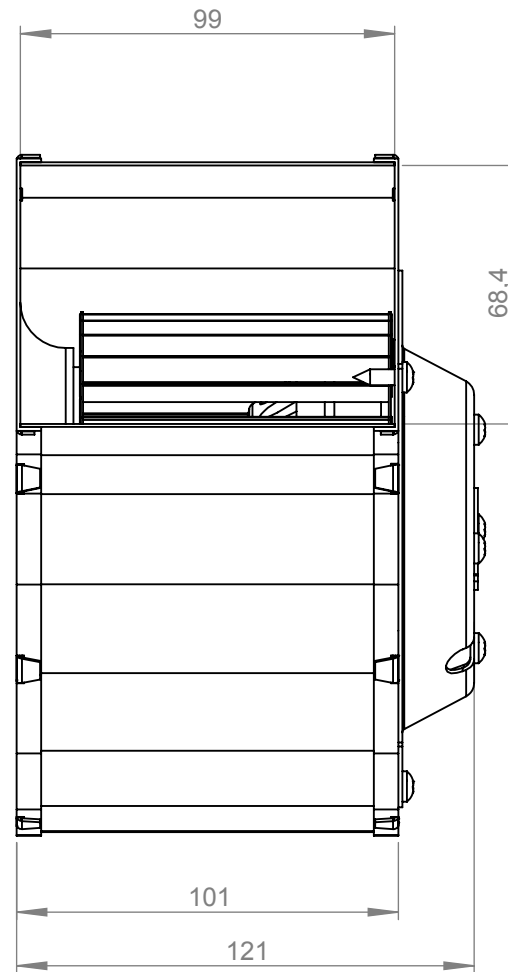
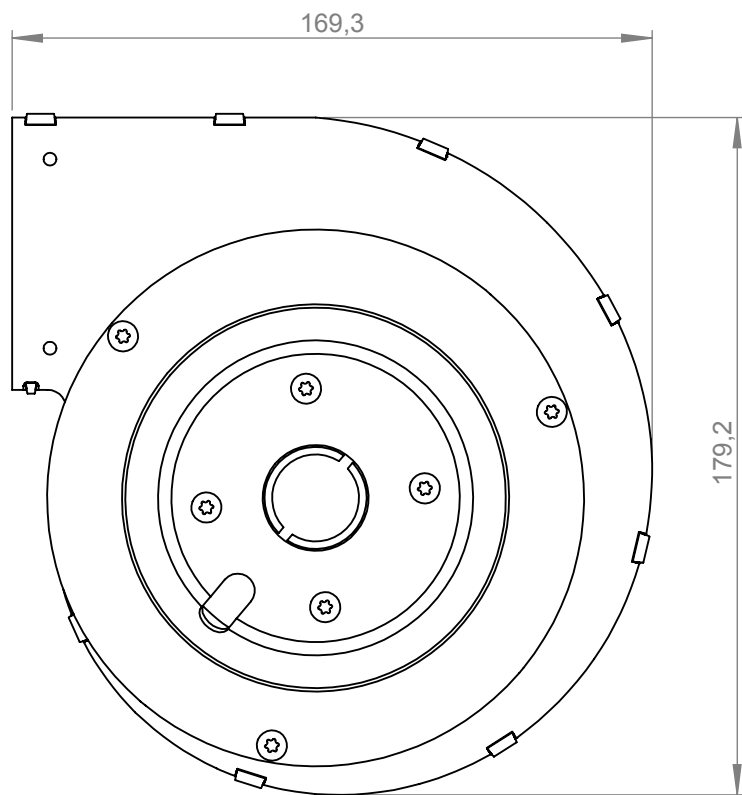


- Forward curved centrifugal fan
- Galvanized metal housing
- Galvanized steel impeller
- Speed controllable
- Integrated thermostatic switch

| Operating Point                 |       | 1    | 2    | 3    | 4    | 5    |
|---------------------------------|-------|------|------|------|------|------|
| Current $I$                     | A     | 0,3  | 0,3  | 0,3  | 0,4  | 0,4  |
| Power consumption $P_1$         | W     | 49   | 52   | 62   | 75   | 93   |
| Rotation speed $n$              | 1/min | 2777 | 2731 | 2548 | 2298 | 1861 |
| SWL inlet $L_{WA5}$             | dB(A) | 66   | 67   | 67   | 67   | 68   |
| SWL outlet $L_{WA6}$            | dB(A) | 67   | 67   | 67   | 68   | 68   |
| SWL housing break out $L_{WA2}$ | dB(A) | -    | -    | -    | -    | -    |

| Sound power ( $L_W$ ) dB(A) |           | Medium Frequency Band |    |     |     |     |    |    |    |    |
|-----------------------------|-----------|-----------------------|----|-----|-----|-----|----|----|----|----|
|                             |           | $\Sigma$              | 63 | 125 | 250 | 500 | 1k | 2k | 4k | 8k |
| Inlet                       | $L_{WA5}$ | 67                    | 37 | 50  | 53  | 59  | 61 | 61 | 59 | 56 |
| Outlet                      | $L_{WA6}$ | 67                    | 36 | 49  | 51  | 58  | 63 | 61 | 60 | 56 |
| Housing radiation           | $L_{WA2}$ | -                     | -  | -   | -   | -   | -  | -  | -  | -  |

| GE 120 2C 100436   100436         |          |
|-----------------------------------|----------|
| Voltage $U_N$                     | 230 V 1~ |
| Current $I_{max}$                 | 0,5 A    |
| Ambient temperature $t_A$         | 70 °C    |
| Conveyed medium temperature $t_M$ | 70 °C    |
| Speed Control                     | V        |
| Motor protection                  | TMI      |
| Insulation class motor            | B        |
| Weight                            | 2,0 kg   |
| Number of poles                   | 2        |
| IP motor                          | IP33     |
| IP terminal box                   | -        |
| IP complete unit                  | IPX3     |
| Min. operating temperature        | -25 °C   |



1:2 A4 mm



Protection Mark  
according to ISO16016

General tolerances  
DIN ISO 2768-c

**GE1202C100436+**

ruck Ventilatoren  
Max-Planck-Str. 5  
D-97944 Boxberg

Drawn: m.deissler  
Created: m.deissler  
Changed: m.deissler

14.01.2015  
14.01.2015  
14.01.15

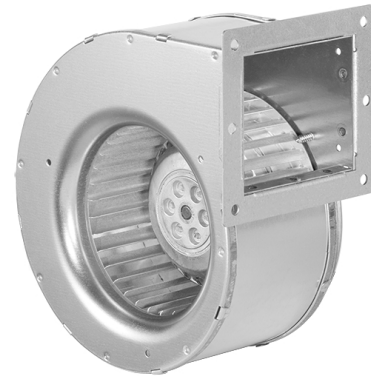
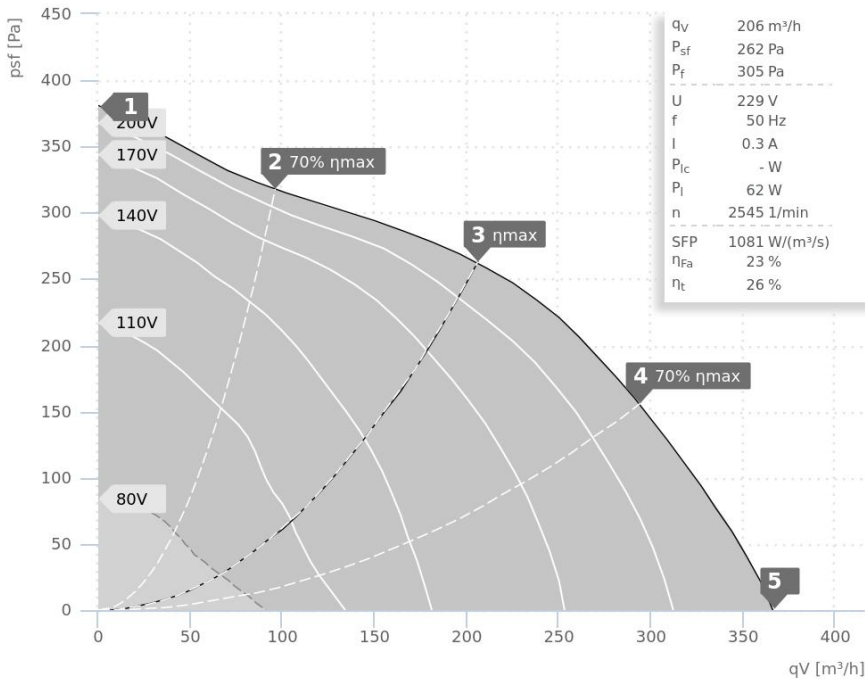
**100436 00**





# DATA SHEET

GE 120 2C 100437 | 100437

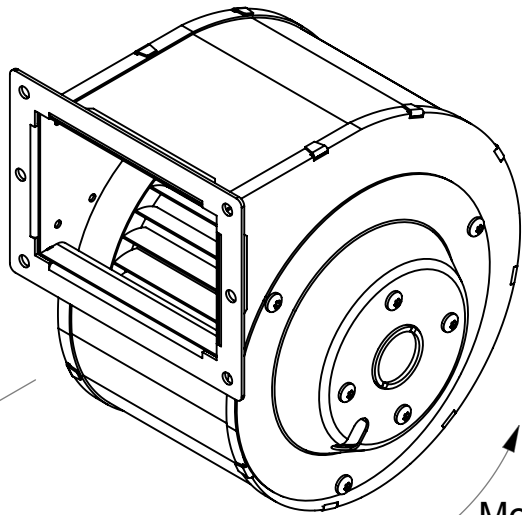
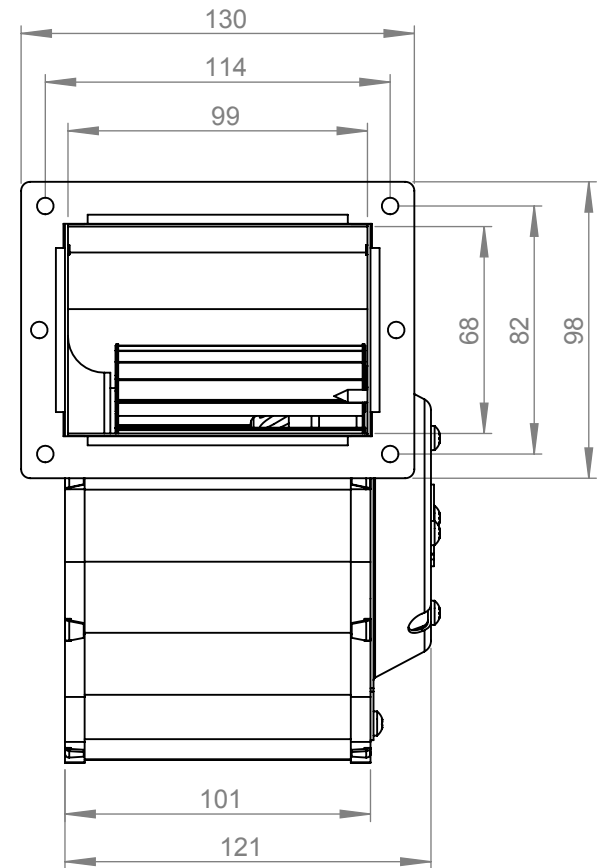
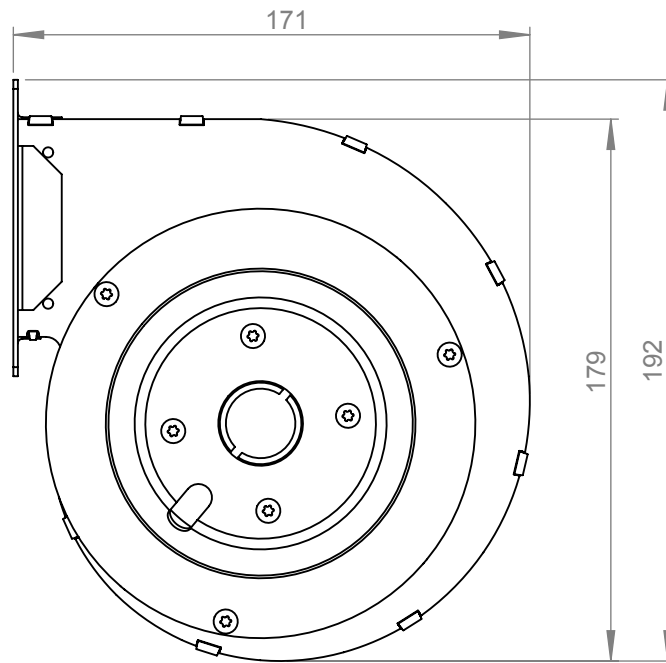


- Forward curved centrifugal fan
- Galvanized metal housing
- Galvanized steel impeller
- Speed controllable
- Integrated thermostatic switch

| Operating Point                 |       | 1    | 2    | 3    | 4    | 5    |
|---------------------------------|-------|------|------|------|------|------|
| Current I                       | A     | 0,3  | 0,3  | 0,3  | 0,4  | 0,4  |
| Power consumption $P_i$         | W     | 49   | 52   | 62   | 75   | 93   |
| Rotation speed n                | 1/min | 2777 | 2731 | 2548 | 2298 | 1861 |
| SWL inlet $L_{WA5}$             | dB(A) | 66   | 67   | 67   | 67   | 68   |
| SWL outlet $L_{WA6}$            | dB(A) | 67   | 67   | 67   | 68   | 68   |
| SWL housing break out $L_{WA2}$ | dB(A) | -    | -    | -    | -    | -    |

| Sound power ( $L_W$ ) dB(A) |           | Medium Frequency Band |    |     |     |     |    |    |    |    |
|-----------------------------|-----------|-----------------------|----|-----|-----|-----|----|----|----|----|
|                             |           | $\Sigma$              | 63 | 125 | 250 | 500 | 1k | 2k | 4k | 8k |
| Inlet                       | $L_{WA5}$ | 67                    | 37 | 50  | 53  | 59  | 61 | 61 | 59 | 56 |
| Outlet                      | $L_{WA6}$ | 67                    | 36 | 49  | 51  | 58  | 63 | 61 | 60 | 56 |
| Housing radiation           | $L_{WA2}$ | -                     | -  | -   | -   | -   | -  | -  | -  | -  |

| GE 120 2C 100437   100437         |          |
|-----------------------------------|----------|
| Voltage $U_N$                     | 230 V 1~ |
| Current $I_{max}$                 | 0,5 A    |
| Ambient temperature $t_A$         | 70 °C    |
| Conveyed medium temperature $t_M$ | 70 °C    |
| Speed Control                     | V        |
| Motor protection                  | TMI      |
| Insulation class motor            | B        |
| Weight                            | 2,1 kg   |
| Number of poles                   | 2        |
| IP motor                          | IP33     |
| IP terminal box                   | -        |
| IP complete unit                  | IPX3     |
| Min. operating temperature        | -25 °C   |



Luft / Air

Motor



ruck Ventilatoren  
Max-Planck-Str. 5  
D-97944 Boxberg



Protection Mark  
according to ISO16016

Drawn: m.deissler  
Created: sy  
Changed: d.andree

1:2 A4 mm

General tolerances  
DIN ISO 2768-c

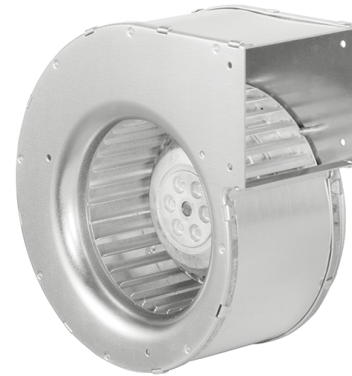
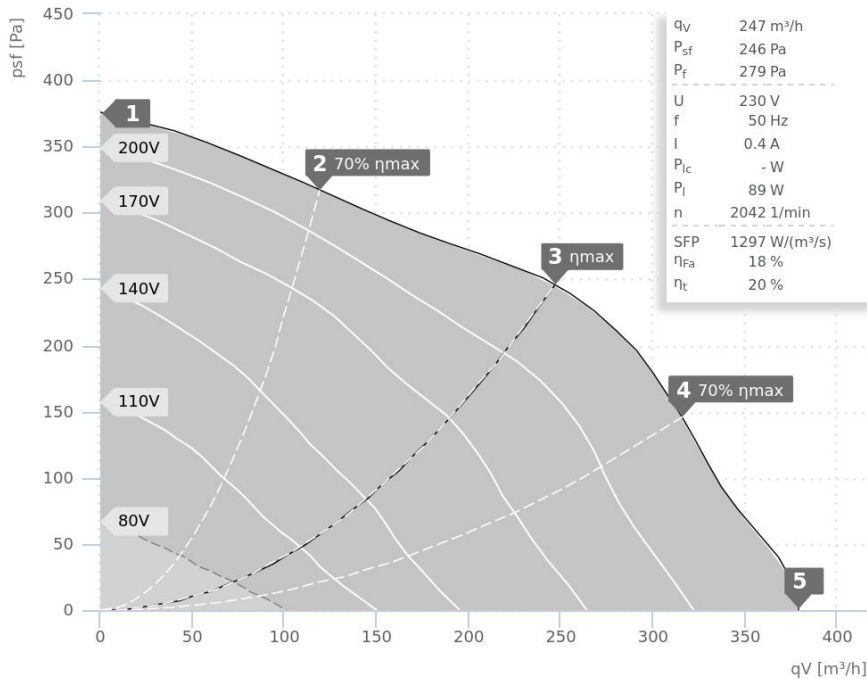
**GE1202C100437+**

**100437 01**



# DATA SHEET

GE 140 2B 100441 | 100441

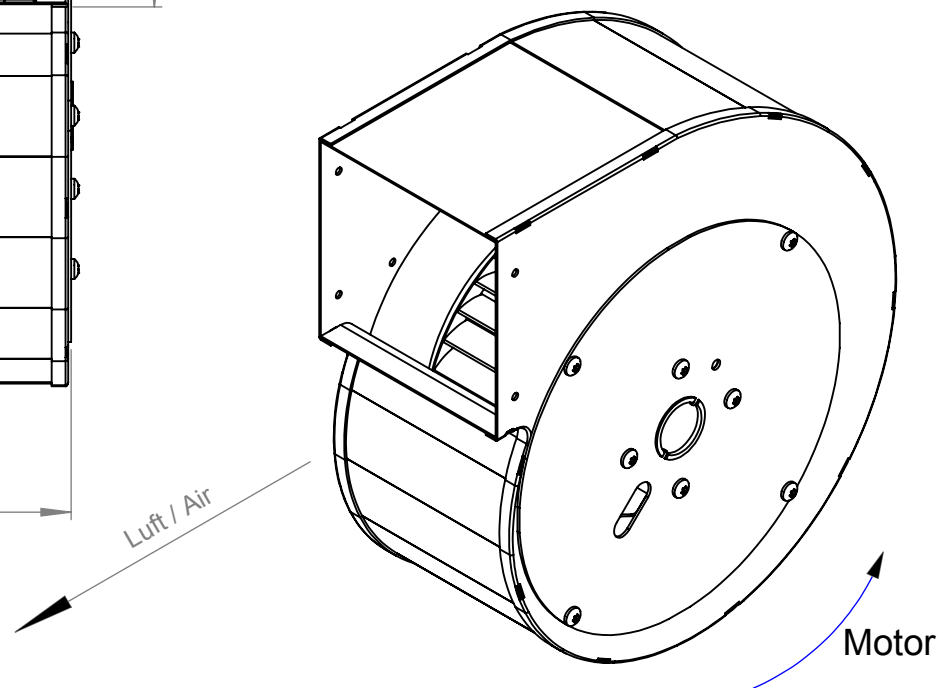
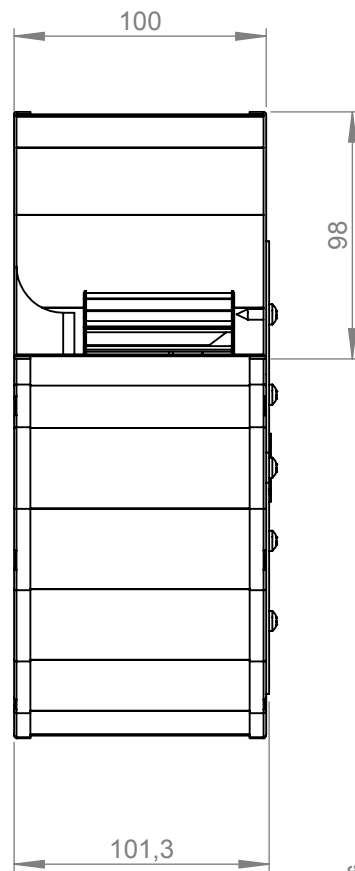
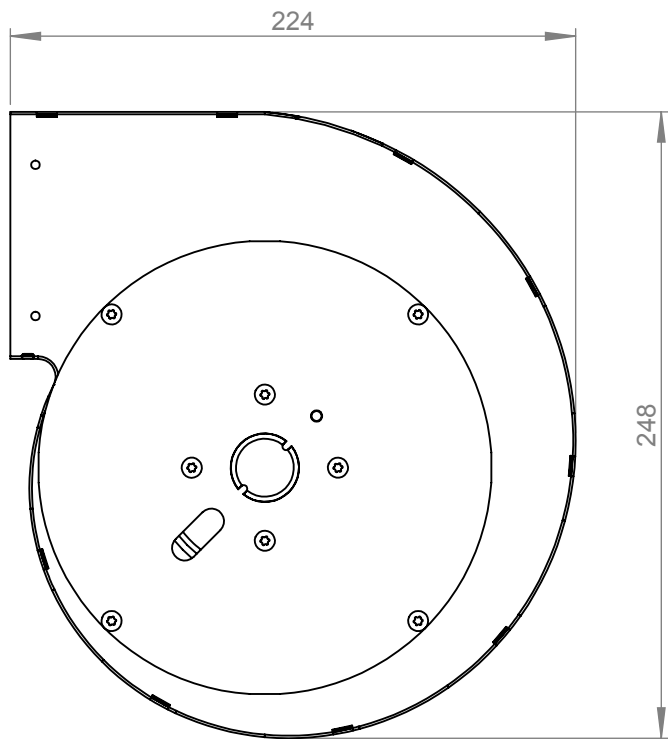


- Forward curved centrifugal fan
- Galvanized metal housing
- Galvanized steel impeller
- Speed controllable
- Integrated thermostatic switch

| Operating Point                        |       | 1    | 2    | 3    | 4    | 5    |
|--|-------|------|------|------|------|------|
| Current I                              | A     | 0,4  | 0,4  | 0,4  | 0,5  | 0,5  |
| Power consumption P <sub>i</sub>       | W     | 70   | 80   | 89   | 96   | 103  |
| Rotation speed n                       | 1/min | 2615 | 2341 | 2042 | 1738 | 1378 |
| SWL inlet L <sub>WA5</sub>             | dB(A) | 63   | 63   | 64   | 64   | 64   |
| SWL outlet L <sub>WA6</sub>            | dB(A) | 63   | 63   | 64   | 64   | 64   |
| SWL housing break out L <sub>WA2</sub> | dB(A) | -    | -    | -    | -    | -    |

| Sound power (L <sub>W</sub> ) dB(A) |                  | Medium Frequency Band |    |     |     |     |    |    |    |    |
|-------------------------------------|------------------|-----------------------|----|-----|-----|-----|----|----|----|----|
|                                     |                  | Σ                     | 63 | 125 | 250 | 500 | 1k | 2k | 4k | 8k |
| Inlet                               | L <sub>WA5</sub> | 64                    | 36 | 46  | 52  | 56  | 57 | 57 | 57 | 52 |
| Outlet                              | L <sub>WA6</sub> | 64                    | 36 | 45  | 49  | 54  | 59 | 56 | 57 | 53 |
| Housing radiation                   | L <sub>WA2</sub> | -                     | -  | -   | -   | -   | -  | -  | -  | -  |

| GE 140 2B 100441   100441                  |          |
|--|----------|
| Voltage U <sub>N</sub>                     | 230 V 1~ |
| Current I <sub>max</sub>                   | 0,5 A    |
| Ambient temperature t <sub>A</sub>         | 50 °C    |
| Conveyed medium temperature t <sub>M</sub> | 50 °C    |
| Speed Control                              | V        |
| Motor protection                           | TAI      |
| Insulation class motor                     | B        |
| Weight                                     | 2,5 kg   |
| Number of poles                            | 2        |
| IP motor                                   | IP33     |
| IP terminal box                            | -        |
| IP complete unit                           | IPX3     |
| Min. operating temperature                 | -25 °C   |



1:2 A4 mm

**ruck**<sup>EU</sup>  
VENTILATOREN

ruck Ventilatoren  
Max-Planck-Str. 5  
D-97944 Boxberg

Protection Mark  
according to ISO16016

Drawn: m.deissler  
Created: m.deissler  
Changed:

General tolerances  
DIN ISO 2768-c

20.01.2015  
20.01.2015

**GE1402B100441+**

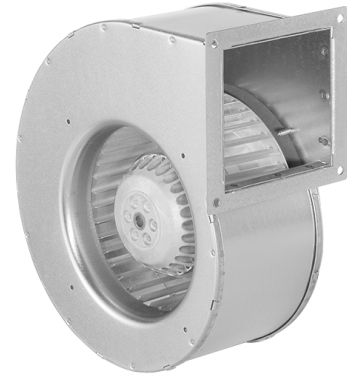
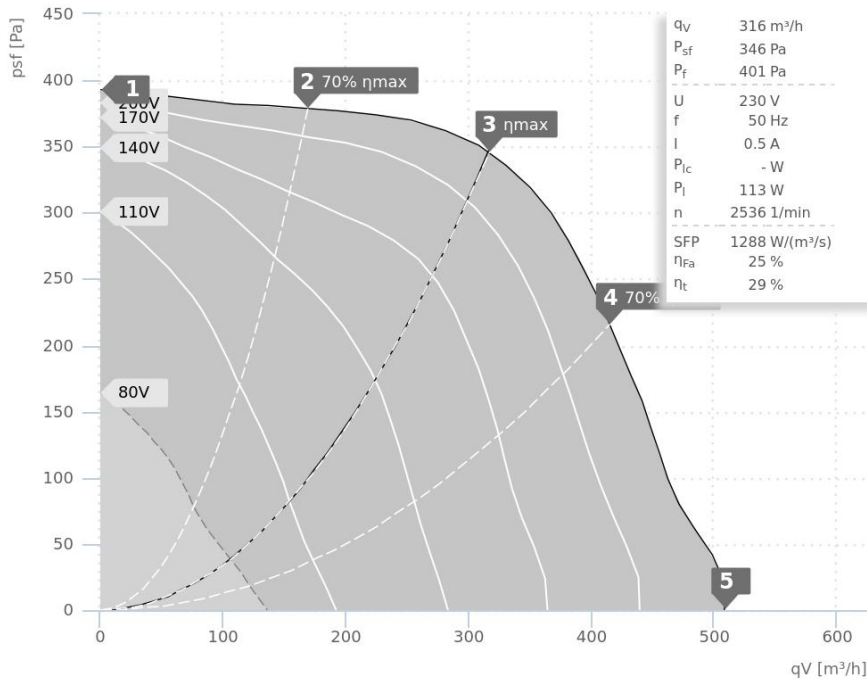
**100441 00**

**VENTAS**  
VENTILATOREN

# DATA SHEET

**ruck**.eu  
VENTILATOREN

GE 140 2D 100442 | 100442

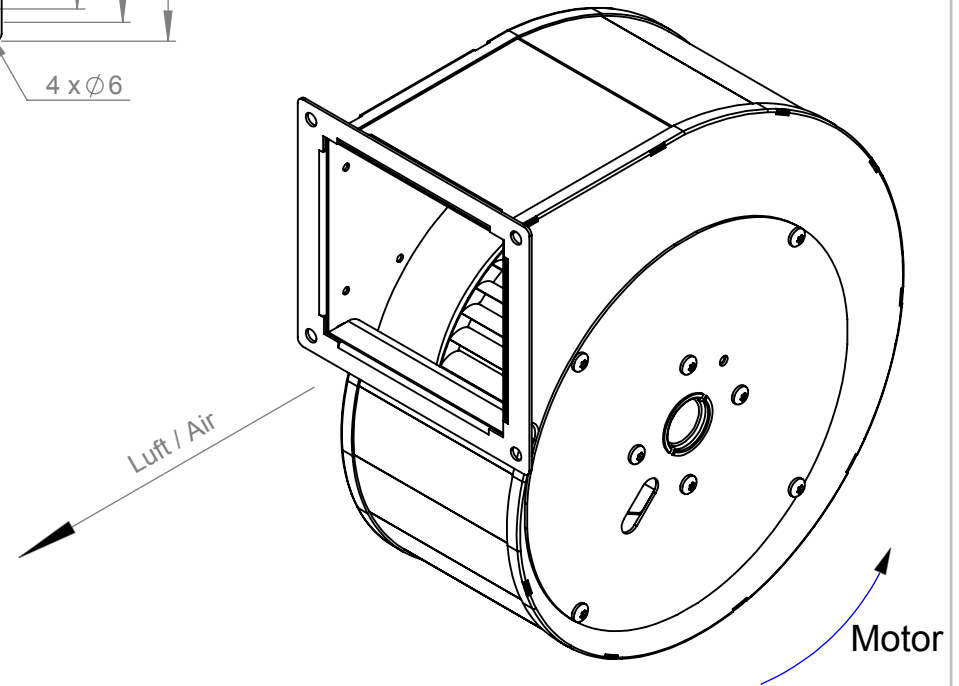
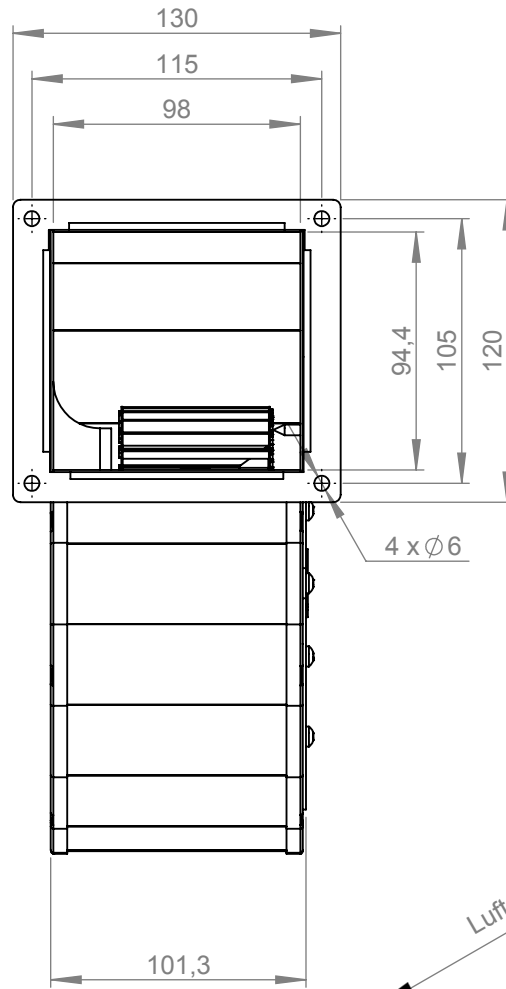
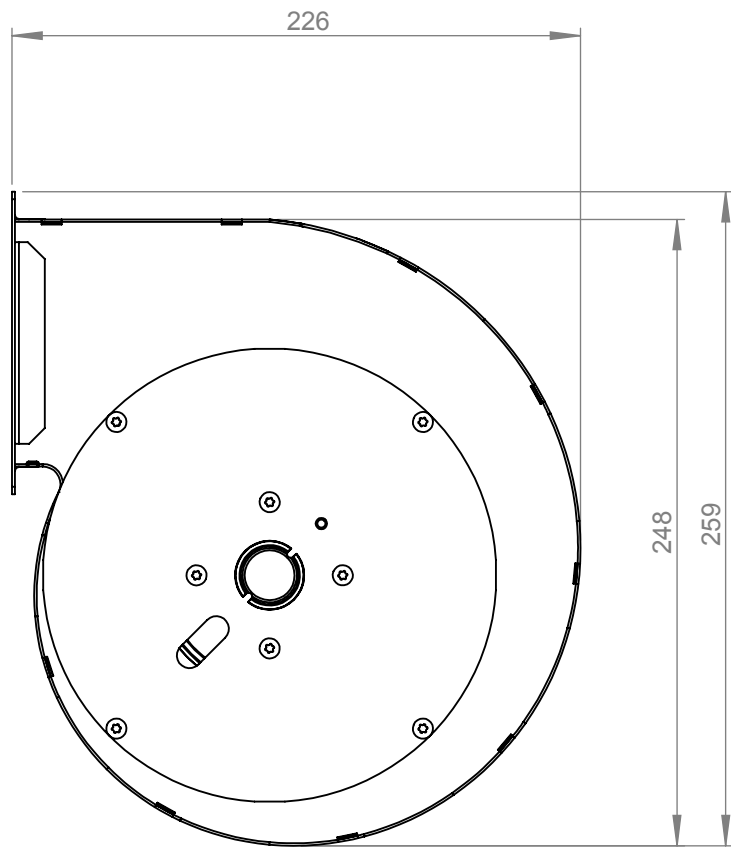


- Forward curved centrifugal fan
- Galvanized metal housing
- Galvanized steel impeller
- Speed controllable
- Integrated thermostatic switch

| Operating Point                        |       | 1    | 2    | 3    | 4    | 5    |
|--|-------|------|------|------|------|------|
| Current I                              | A     | 0,4  | 0,5  | 0,5  | 0,6  | 0,7  |
| Power consumption P <sub>i</sub>       | W     | 77   | 97   | 113  | 131  | 154  |
| Rotation speed n                       | 1/min | 2846 | 2684 | 2536 | 2327 | 2052 |
| SWL inlet L <sub>WA5</sub>             | dB(A) | 71   | 71   | 72   | 72   | 73   |
| SWL outlet L <sub>WA6</sub>            | dB(A) | 71   | 72   | 72   | 73   | 74   |
| SWL housing break out L <sub>WA2</sub> | dB(A) | -    | -    | -    | -    | -    |

| Sound power (L <sub>W</sub> ) dB(A) |                  | Medium Frequency Band |    |     |     |     |    |    |    |    |
|-------------------------------------|------------------|-----------------------|----|-----|-----|-----|----|----|----|----|
|                                     |                  | Σ                     | 63 | 125 | 250 | 500 | 1k | 2k | 4k | 8k |
| Inlet                               | L <sub>WA5</sub> | 72                    | 42 | 55  | 61  | 63  | 64 | 65 | 66 | 62 |
| Outlet                              | L <sub>WA6</sub> | 72                    | 41 | 53  | 58  | 62  | 67 | 67 | 65 | 63 |
| Housing radiation                   | L <sub>WA2</sub> | -                     | -  | -   | -   | -   | -  | -  | -  | -  |

| GE 140 2D 100442   100442                  |          |
|--|----------|
| Voltage U <sub>N</sub>                     | 230 V 1~ |
| Current I <sub>max</sub>                   | 0,7 A    |
| Ambient temperature t <sub>A</sub>         | 60 °C    |
| Conveyed medium temperature t <sub>M</sub> | 60 °C    |
| Speed Control                              | V        |
| Motor protection                           | TAI      |
| Insulation class motor                     | B        |
| Weight                                     | 3,0 kg   |
| Number of poles                            | 2        |
| IP motor                                   | IP33     |
| IP terminal box                            | -        |
| IP complete unit                           | IPX4     |
| Min. operating temperature                 | -25 °C   |



ruck Ventilatoren  
Max-Planck-Str. 5  
D-97944 Boxberg



1:2 A4 mm

Protection Mark  
according to ISO16016

General tolerances  
DIN ISO 2768-c

**GE1402D100442+**

Drawn: m.deissler  
Created: m.deissler  
Changed:

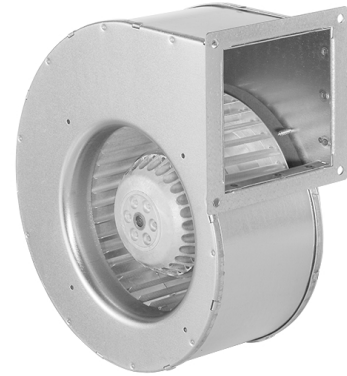
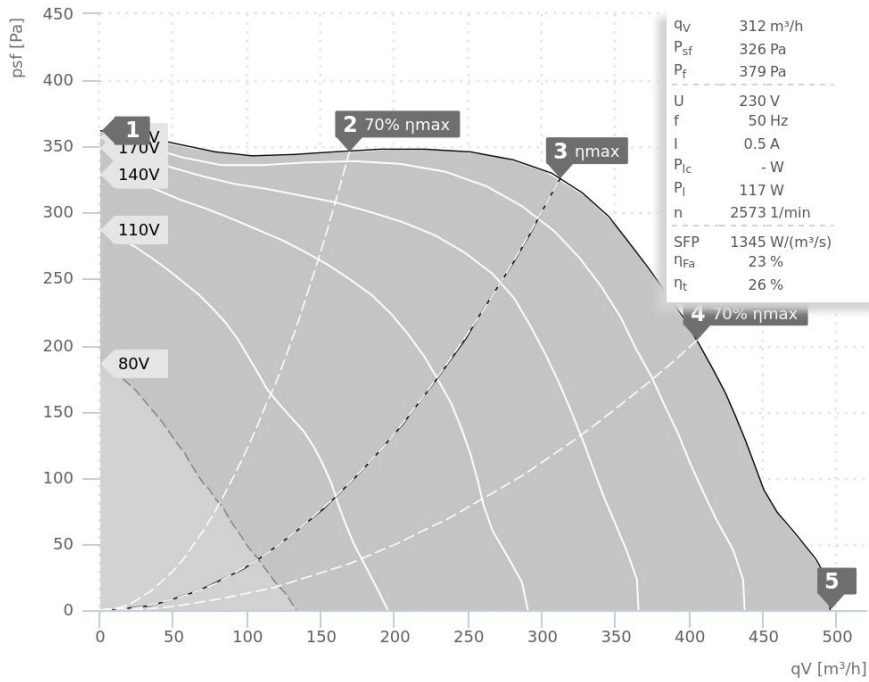
26.01.2015  
26.01.2015

**100442 00**



# DATA SHEET

GE 140 2E 103289 | 103289

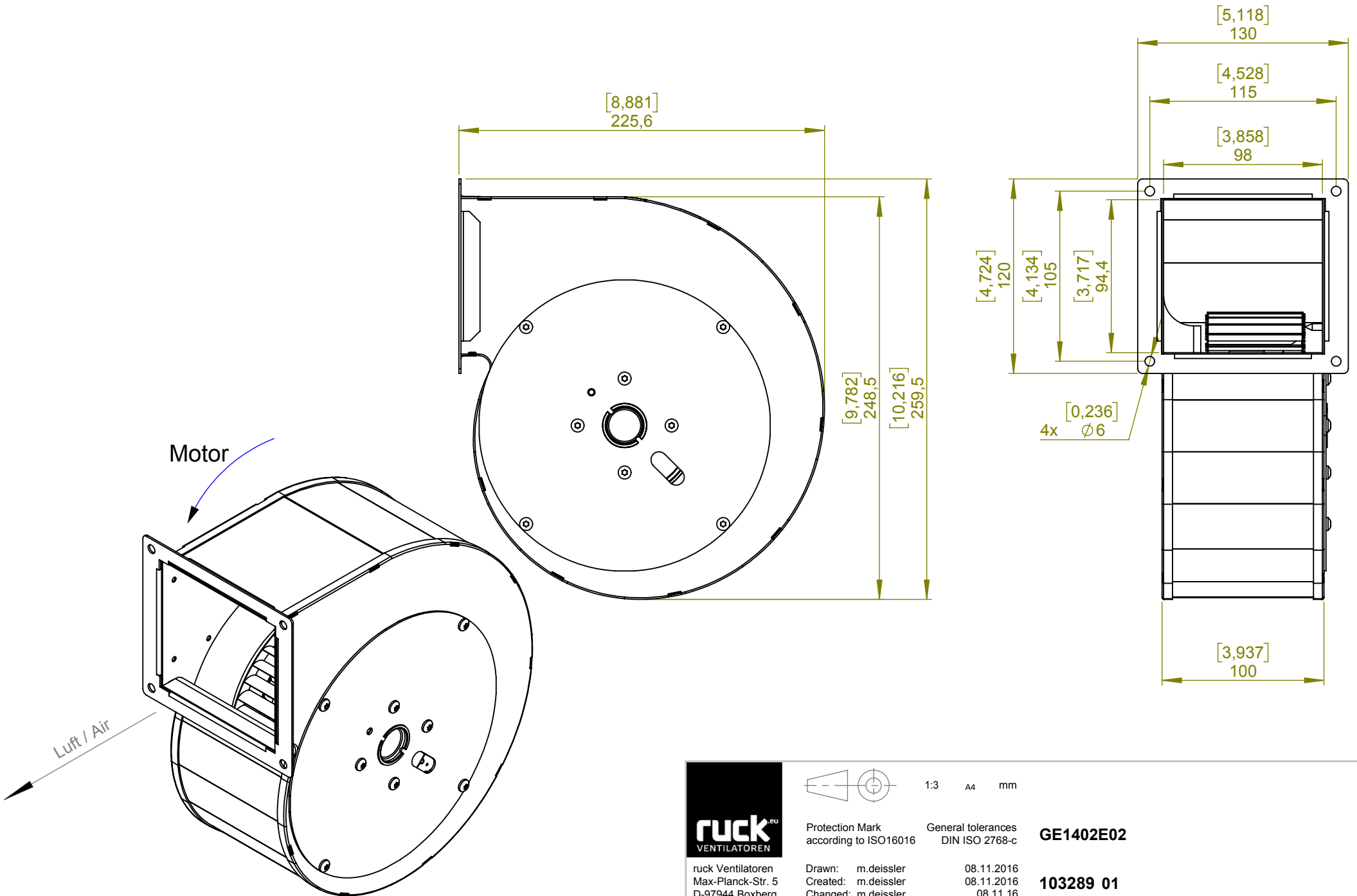


- Forward curved centrifugal fan
- Galvanized metal housing
- Galvanized steel impeller
- Speed controllable
- Integrated thermostatic switch

| Operating Point                        |       | 1    | 2    | 3    | 4    | 5    |
|--|-------|------|------|------|------|------|
| Current I                              | A     | 0,4  | 0,5  | 0,5  | 0,6  | 0,7  |
| Power consumption P <sub>1</sub>       | W     | 82   | 97   | 117  | 134  | 156  |
| Rotation speed n                       | 1/min | 2850 | 2717 | 2573 | 2410 | 2180 |
| SWL inlet L <sub>WA5</sub>             | dB(A) | 72   | 73   | 74   | 74   | 75   |
| SWL outlet L <sub>WA6</sub>            | dB(A) | 72   | 74   | 74   | 75   | 76   |
| SWL housing break out L <sub>WA2</sub> | dB(A) | -    | -    | -    | -    | -    |

| Sound power (L <sub>W</sub> ) dB(A) |                  | Medium Frequency Band |    |     |     |     |    |    |    |    |
|-------------------------------------|------------------|-----------------------|----|-----|-----|-----|----|----|----|----|
|                                     |                  | Σ                     | 63 | 125 | 250 | 500 | 1k | 2k | 4k | 8k |
| Inlet                               | L <sub>WA5</sub> | 74                    | 43 | 58  | 64  | 64  | 65 | 67 | 69 | 65 |
| Outlet                              | L <sub>WA6</sub> | 74                    | 42 | 55  | 60  | 64  | 67 | 70 | 67 | 65 |
| Housing radiation                   | L <sub>WA2</sub> | -                     | -  | -   | -   | -   | -  | -  | -  | -  |

| GE 140 2E 103289   103289                  |          |
|--|----------|
| Voltage U <sub>N</sub>                     | 230 V 1~ |
| Current I <sub>max</sub>                   | 0,8 A    |
| Ambient temperature t <sub>A</sub>         | 65 °C    |
| Conveyed medium temperature t <sub>M</sub> | 65 °C    |
| Speed Control                              | V        |
| Motor protection                           | TAI      |
| Insulation class motor                     | F        |
| Weight                                     | 3,4 kg   |
| Number of poles                            | 2        |
| IP motor                                   | IP33     |
| IP terminal box                            | -        |
| IP complete unit                           | IPX4     |
| Min. operating temperature                 | -25 °C   |



ruck Ventilatoren  
 Max-Planck-Str. 5  
 D-97944 Boxberg



1:3 A4 mm

Protection Mark  
 according to ISO16016

General tolerances  
 DIN ISO 2768-c

**GE1402E02**

Drawn: m.deissler  
 Created: m.deissler  
 Changed: m.deissler

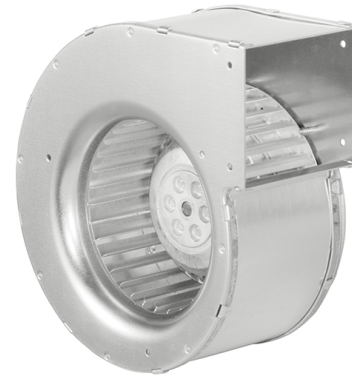
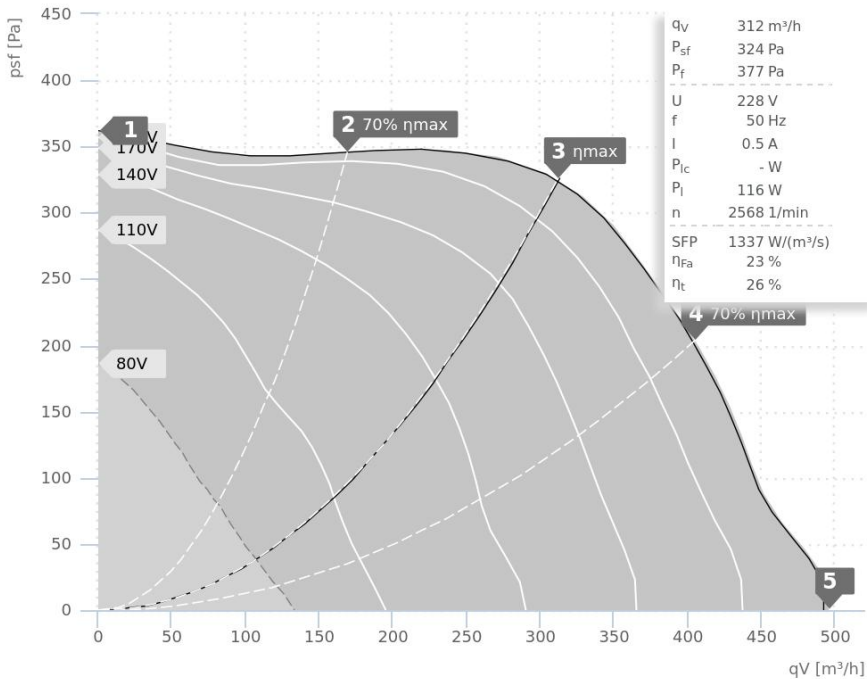
08.11.2016  
 08.11.2016  
 08.11.16

**103289 01**



# DATA SHEET

GE 140 2E 103290 | 103290

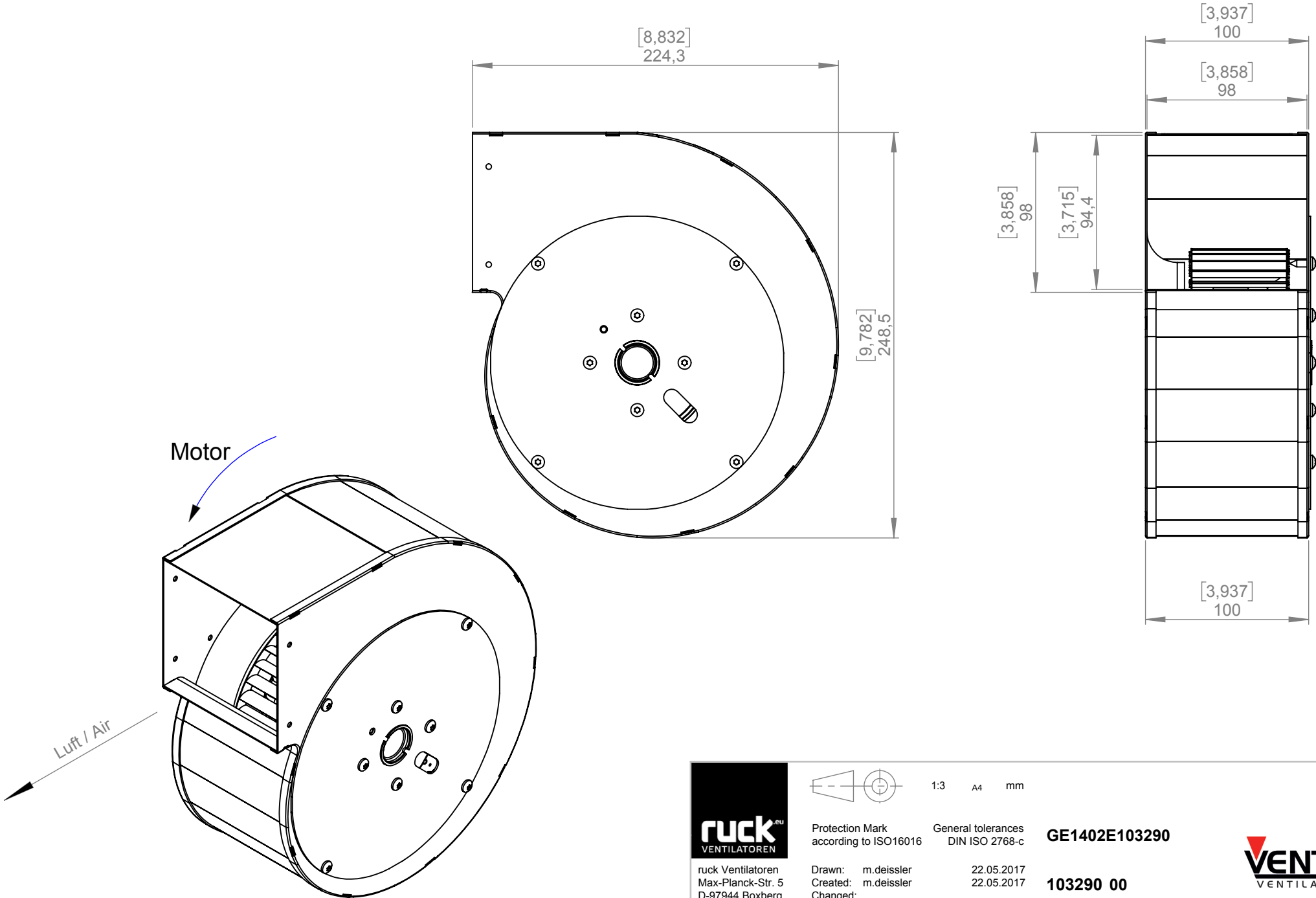


- Forward curved centrifugal fan
- Galvanized metal housing
- Galvanized steel impeller
- Speed controllable
- Integrated thermostatic switch

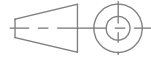
| Operating Point                 |       | 1    | 2    | 3    | 4    | 5    |
|---------------------------------|-------|------|------|------|------|------|
| Current I                       | A     | 0,4  | 0,5  | 0,5  | 0,6  | 0,7  |
| Power consumption $P_1$         | W     | 82   | 97   | 117  | 134  | 156  |
| Rotation speed n                | 1/min | 2850 | 2717 | 2573 | 2410 | 2180 |
| SWL inlet $L_{WA5}$             | dB(A) | 72   | 73   | 74   | 74   | 75   |
| SWL outlet $L_{WA6}$            | dB(A) | 72   | 74   | 74   | 75   | 76   |
| SWL housing break out $L_{WA2}$ | dB(A) | -    | -    | -    | -    | -    |

| Sound power ( $L_W$ ) dB(A) |           | Medium Frequency Band |    |     |     |     |    |    |    |    |
|-----------------------------|-----------|-----------------------|----|-----|-----|-----|----|----|----|----|
|                             |           | $\Sigma$              | 63 | 125 | 250 | 500 | 1k | 2k | 4k | 8k |
| Inlet                       | $L_{WA5}$ | 74                    | 43 | 58  | 63  | 64  | 65 | 67 | 69 | 64 |
| Outlet                      | $L_{WA6}$ | 74                    | 42 | 55  | 60  | 64  | 67 | 70 | 67 | 65 |
| Housing radiation           | $L_{WA2}$ | -                     | -  | -   | -   | -   | -  | -  | -  | -  |

| GE 140 2E 103290   103290         |          |
|-----------------------------------|----------|
| Voltage $U_N$                     | 230 V 1~ |
| Current $I_{max}$                 | 0,8 A    |
| Ambient temperature $t_A$         | 65 °C    |
| Conveyed medium temperature $t_M$ | 65 °C    |
| Speed Control                     | V        |
| Motor protection                  | TAI      |
| Insulation class motor            | F        |
| Weight                            | 0,0 kg   |
| Number of poles                   | 2        |
| IP motor                          | IP33     |
| IP terminal box                   | -        |
| IP complete unit                  | IPX4     |
| Min. operating temperature        | -25 °C   |



ruck Ventilatoren  
 Max-Planck-Str. 5  
 D-97944 Boxberg



1:3 A4 mm

Protection Mark  
 according to ISO16016

General tolerances  
 DIN ISO 2768-c

**GE1402E103290**

Drawn: m.deissler  
 Created: m.deissler  
 Changed:

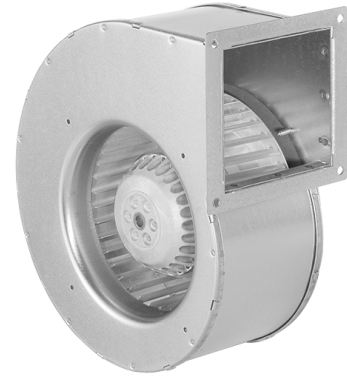
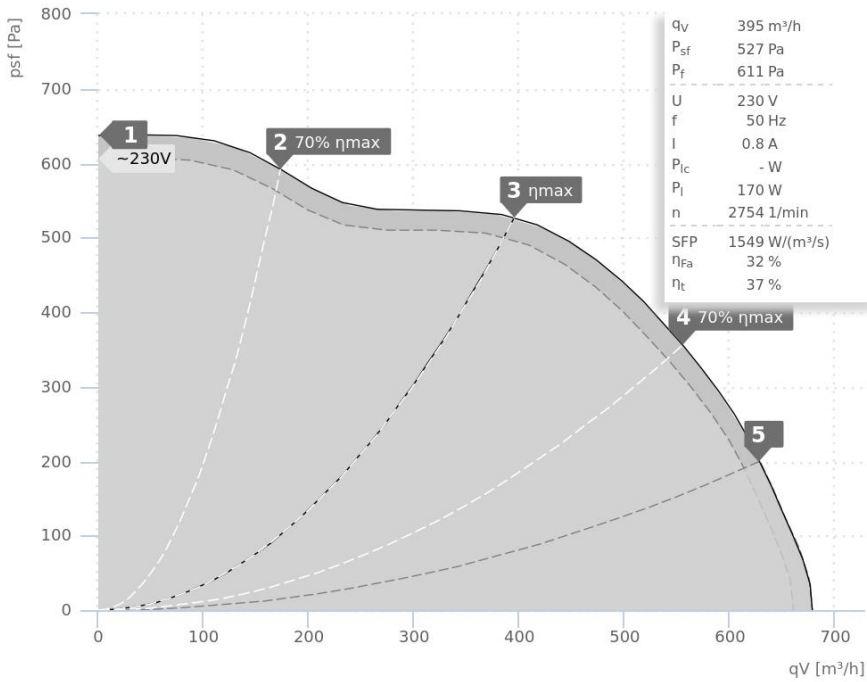
22.05.2017  
 22.05.2017

**103290 00**



# DATA SHEET

GE 160 2E 132032 | 132032

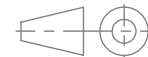
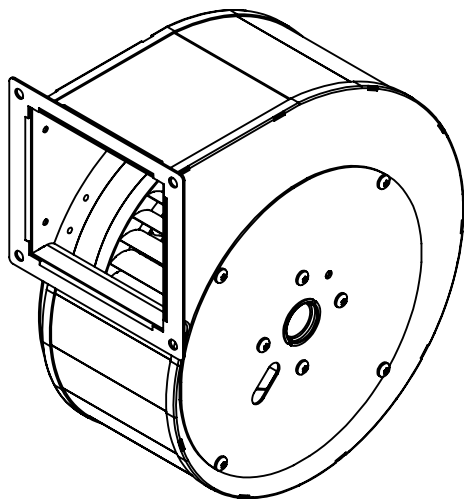
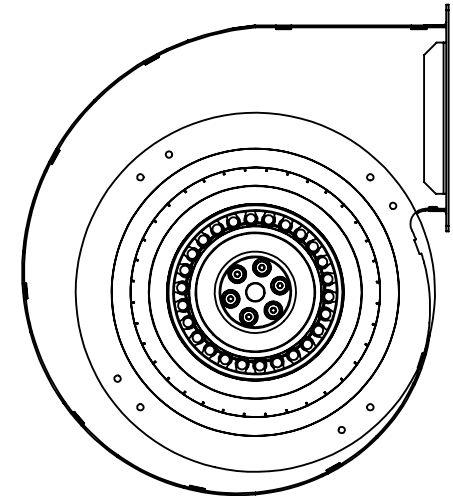
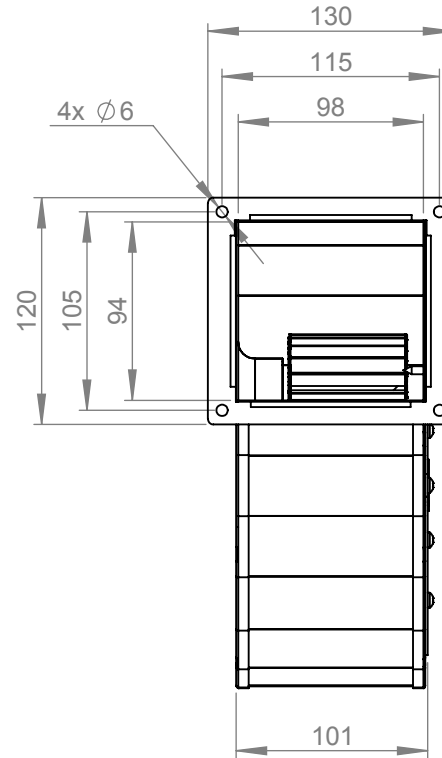
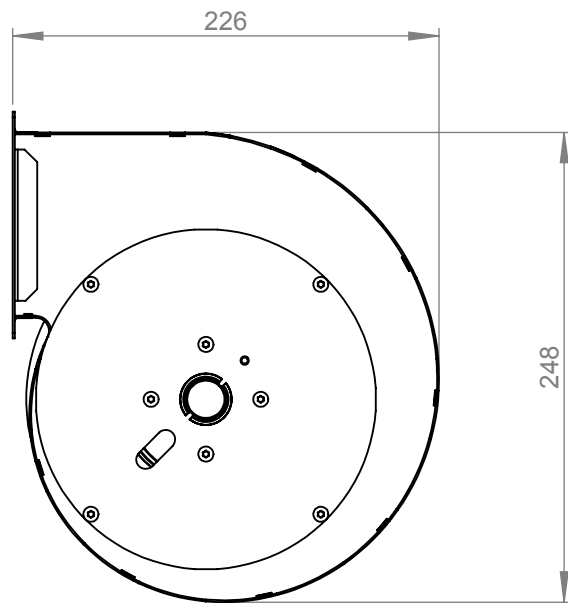


- Forward curved centrifugal fan
- Galvanized metal housing
- Galvanized steel impeller
- Integrated thermostatic switch

| Operating Point                 |       | 1    | 2    | 3    | 4    | 5    |
|---------------------------------|-------|------|------|------|------|------|
| Current $I$                     | A     | 0,5  | 0,6  | 0,8  | 1,0  | 1,2  |
| Power consumption $P_1$         | W     | 102  | 118  | 170  | 230  | 275  |
| Rotation speed $n$              | 1/min | 2907 | 2874 | 2754 | 2603 | 2473 |
| SWL inlet $L_{WA5}$             | dB(A) | -    | -    | -    | -    | -    |
| SWL outlet $L_{WA6}$            | dB(A) | -    | -    | -    | -    | -    |
| SWL housing break out $L_{WA2}$ | dB(A) | -    | -    | -    | -    | -    |

| Sound power ( $L_W$ ) dB(A) |           | Medium Frequency Band |    |     |     |     |    |    |    |    |
|-----------------------------|-----------|-----------------------|----|-----|-----|-----|----|----|----|----|
|                             |           | $\Sigma$              | 63 | 125 | 250 | 500 | 1k | 2k | 4k | 8k |
| Inlet                       | $L_{WA5}$ | -                     | -  | -   | -   | -   | -  | -  | -  | -  |
| Outlet                      | $L_{WA6}$ | -                     | -  | -   | -   | -   | -  | -  | -  | -  |
| Housing radiation           | $L_{WA2}$ | -                     | -  | -   | -   | -   | -  | -  | -  | -  |

| GE 160 2E 132032   132032         |          |
|-----------------------------------|----------|
| Voltage $U_N$                     | 230 V 1~ |
| Current $I_{max}$                 | 1,6 A    |
| Ambient temperature $t_A$         | 45 °C    |
| Conveyed medium temperature $t_M$ | 45 °C    |
| Speed Control                     | -        |
| Motor protection                  | TAI      |
| Insulation class motor            | B        |
| Weight                            | 3,8 kg   |
| Number of poles                   | 2        |
| IP motor                          | IP33     |
| IP terminal box                   | -        |
| IP complete unit                  | IPX3     |
| Min. operating temperature        | -25 °C   |



1:3 A4 mm

**ruck**<sup>EU</sup>  
VENTILATOREN

ruck Ventilatoren  
Max-Planck-Str. 5  
D-97944 Boxberg

Protection Mark  
according to ISO16016

Drawn: v.brand  
Created: v.brand  
Changed:

General tolerances  
DIN ISO 2768-c

16.12.2014  
16.12.2014

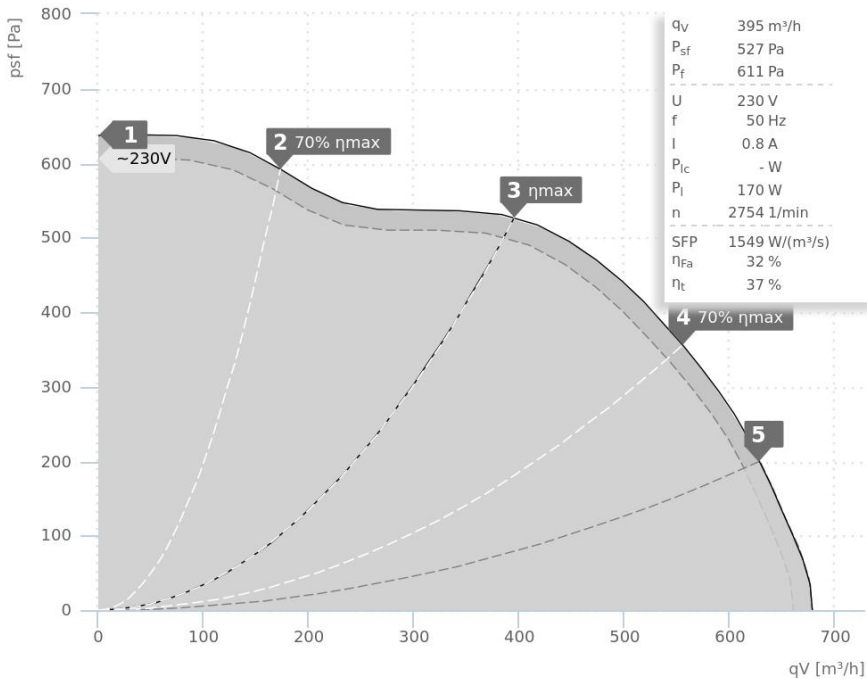
**GE1602E132032**

**132032 00**

**VENTAS**  
VENTILATORER

# DATA SHEET

GE 160 2E 132033 | 132033

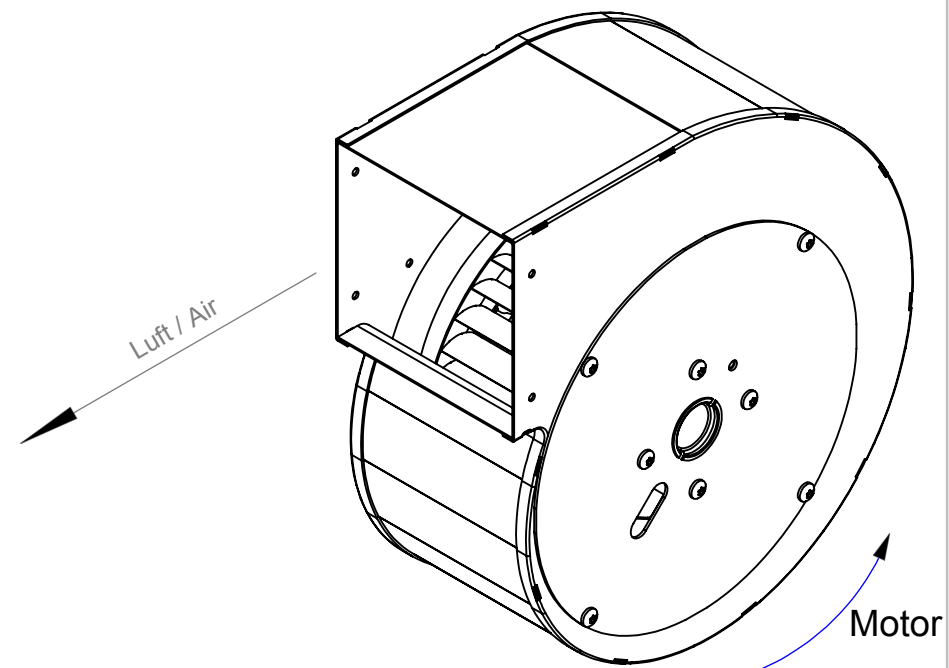
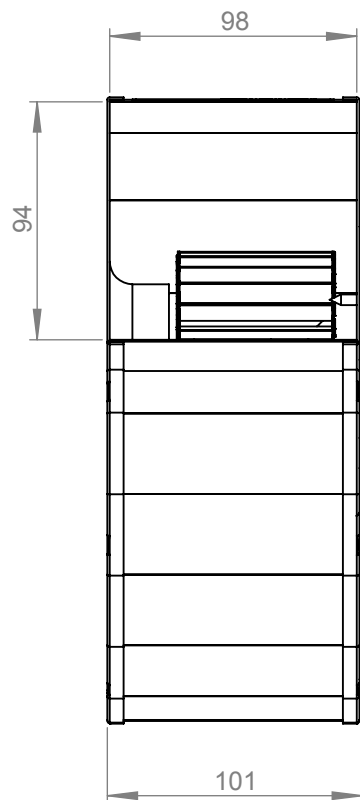
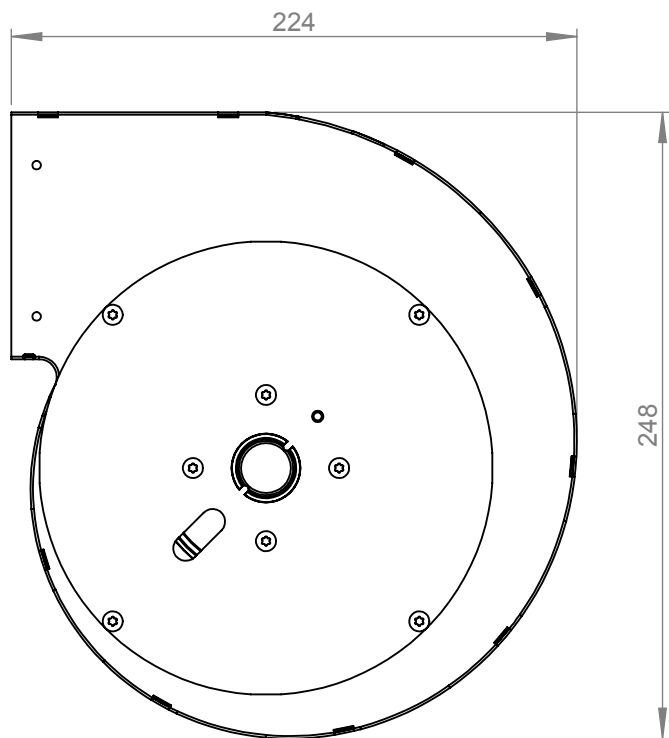


- Forward centrifugal fan
- Galvanized metal housing
- Galvanized steel impeller
- Integrated thermostatic switch

| Operating Point                 |       | 1    | 2    | 3    | 4    | 5    |
|---------------------------------|-------|------|------|------|------|------|
| Current $I$                     | A     | 0,5  | 0,6  | 0,8  | 1,0  | 1,2  |
| Power consumption $P_i$         | W     | 102  | 118  | 170  | 230  | 275  |
| Rotation speed $n$              | 1/min | 2907 | 2874 | 2754 | 2603 | 2473 |
| SWL inlet $L_{WA5}$             | dB(A) | -    | -    | -    | -    | -    |
| SWL outlet $L_{WA6}$            | dB(A) | -    | -    | -    | -    | -    |
| SWL housing break out $L_{WA2}$ | dB(A) | -    | -    | -    | -    | -    |

| Sound power ( $L_W$ ) dB(A) |           | Medium Frequency Band |    |     |     |     |    |    |    |    |
|-----------------------------|-----------|-----------------------|----|-----|-----|-----|----|----|----|----|
|                             |           | $\Sigma$              | 63 | 125 | 250 | 500 | 1k | 2k | 4k | 8k |
| Inlet                       | $L_{WA5}$ | -                     | -  | -   | -   | -   | -  | -  | -  | -  |
| Outlet                      | $L_{WA6}$ | -                     | -  | -   | -   | -   | -  | -  | -  | -  |
| Housing radiation           | $L_{WA2}$ | -                     | -  | -   | -   | -   | -  | -  | -  | -  |

| GE 160 2E 132033   132033         |          |
|-----------------------------------|----------|
| Voltage $U_N$                     | 230 V 1~ |
| Current $I_{max}$                 | 1,6 A    |
| Ambient temperature $t_A$         | 45 °C    |
| Conveyed medium temperature $t_M$ | 45 °C    |
| Speed Control                     | -        |
| Motor protection                  | TAI      |
| Insulation class motor            | B        |
| Weight                            | 3,8 kg   |
| Number of poles                   | 2        |
| IP motor                          | IP33     |
| IP terminal box                   | -        |
| IP complete unit                  | IPX3     |
| Min. operating temperature        | -25 °C   |



ruck Ventilatoren  
Max-Planck-Str. 5  
D-97944 Boxberg



Protection Mark  
according to ISO16016

Drawn: v.brand  
Created: v.brand  
Changed: v.brand

1:3 A4 mm

General tolerances  
DIN ISO 2768-c

16.12.2014  
16.12.2014  
12.01.15

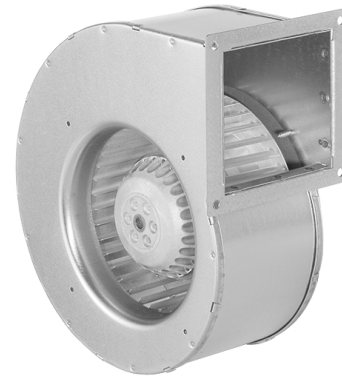
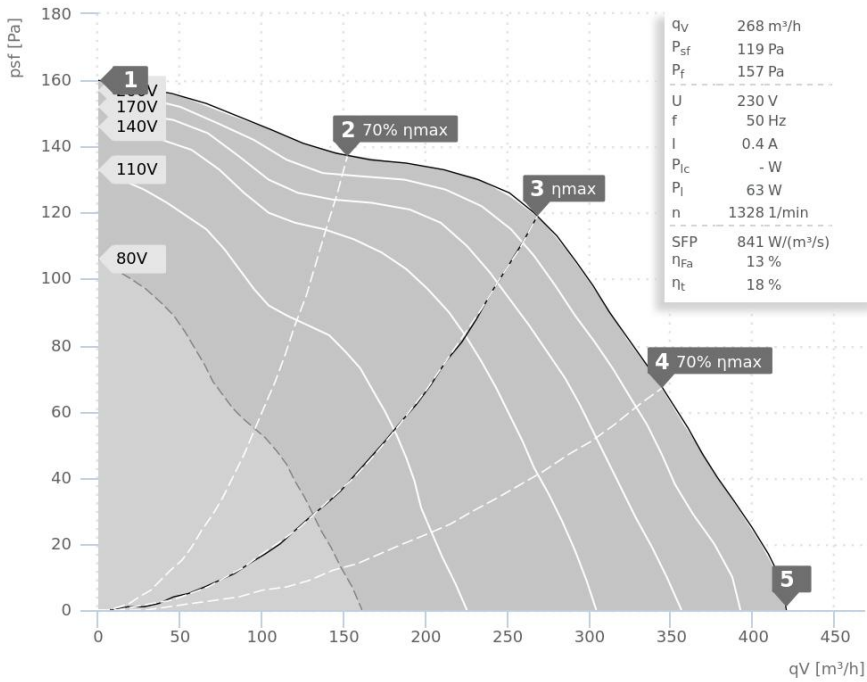
**GE1602E132033**

**132033 00**



# DATA SHEET

GE 160 4A 100471 | 100471

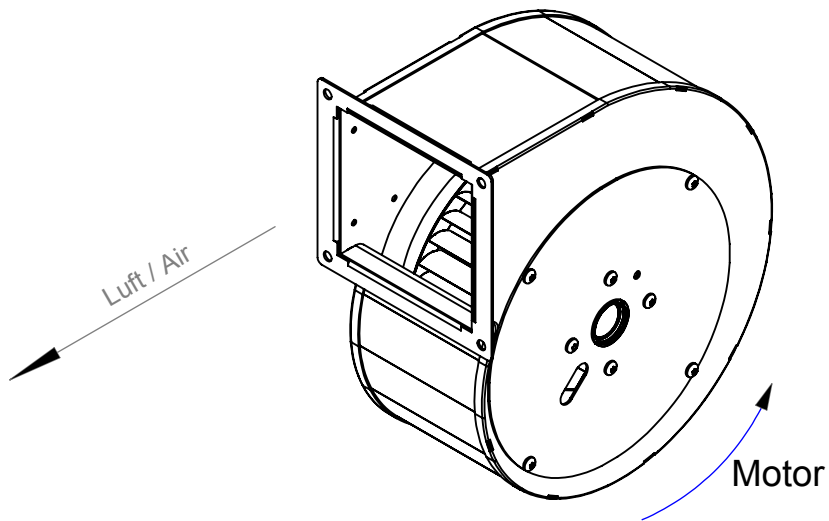
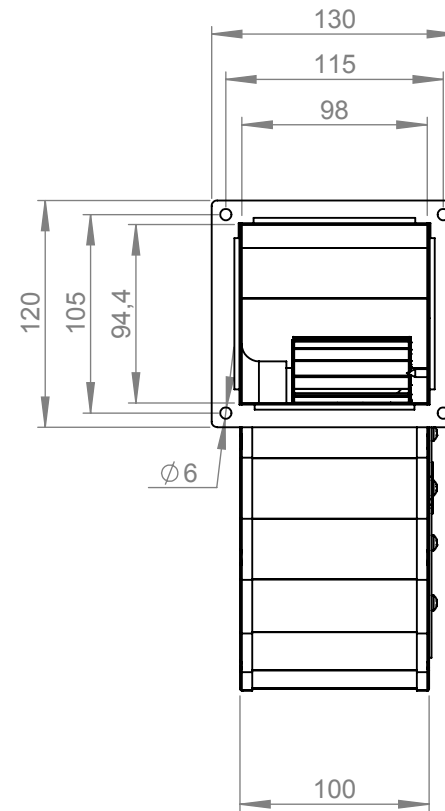
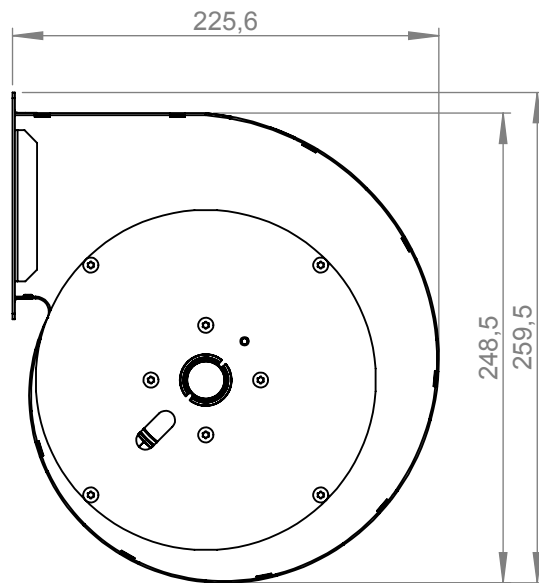


- Forward curved centrifugal fan
- Galvanized metal housing
- Galvanized steel impeller
- Speed controllable
- Integrated thermostatic switch

| Operating Point                 |       | 1    | 2    | 3    | 4    | 5    |
|---------------------------------|-------|------|------|------|------|------|
| Current I                       | A     | 0,3  | 0,3  | 0,4  | 0,4  | 0,4  |
| Power consumption $P_1$         | W     | 58   | 59   | 63   | 65   | 69   |
| Rotation speed n                | 1/min | 1439 | 1389 | 1328 | 1269 | 1205 |
| SWL inlet $L_{WA5}$             | dB(A) | 60   | 60   | 61   | 62   | 65   |
| SWL outlet $L_{WA6}$            | dB(A) | 58   | 59   | 60   | 64   | 66   |
| SWL housing break out $L_{WA2}$ | dB(A) | -    | -    | -    | -    | -    |

| Sound power ( $L_W$ ) dB(A) |           | Medium Frequency Band |    |     |     |     |    |    |    |    |
|-----------------------------|-----------|-----------------------|----|-----|-----|-----|----|----|----|----|
|                             |           | $\Sigma$              | 63 | 125 | 250 | 500 | 1k | 2k | 4k | 8k |
| Inlet                       | $L_{WA5}$ | 61                    | 34 | 42  | 49  | 54  | 57 | 55 | 52 | 45 |
| Outlet                      | $L_{WA6}$ | 60                    | 28 | 39  | 44  | 51  | 57 | 54 | 51 | 45 |
| Housing radiation           | $L_{WA2}$ | -                     | -  | -   | -   | -   | -  | -  | -  | -  |

| GE 160 4A 100471   100471         |          |
|-----------------------------------|----------|
| Voltage $U_N$                     | 230 V 1~ |
| Current $I_{max}$                 | 0,4 A    |
| Ambient temperature $t_A$         | 40 °C    |
| Conveyed medium temperature $t_M$ | 40 °C    |
| Speed Control                     | V        |
| Motor protection                  | TAI      |
| Insulation class motor            | B        |
| Weight                            | 3,0 kg   |
| Number of poles                   | 4        |
| IP motor                          | IP33     |
| IP terminal box                   | -        |
| IP complete unit                  | IPX3     |
| Min. operating temperature        | -25 °C   |



1:4 A4 mm

**ruck**<sup>EU</sup>  
VENTILATOREN

ruck Ventilatoren  
Max-Planck-Str. 5  
D-97944 Boxberg

Protection Mark  
according to ISO16016

Drawn: m.deissler  
Created: m.deissler  
Changed:

General tolerances  
DIN ISO 2768-c

23.05.2017  
23.05.2017

**GE1604A100471+**

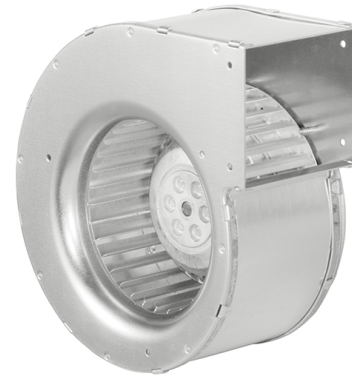
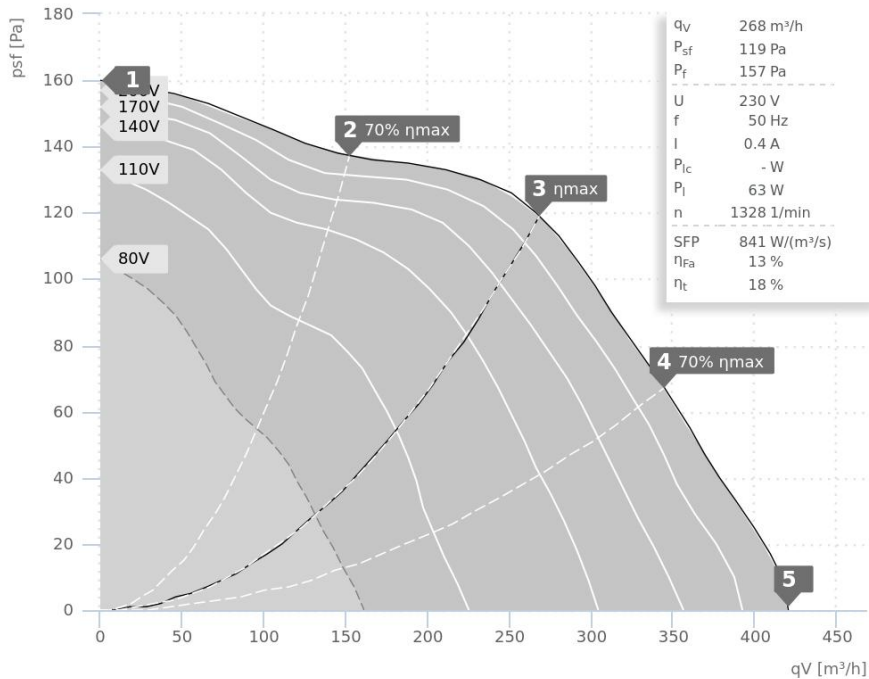
**100471 00**

**VENTAS**  
VENTILATORER



# DATA SHEET

GE 160 4A 100472 | 100472

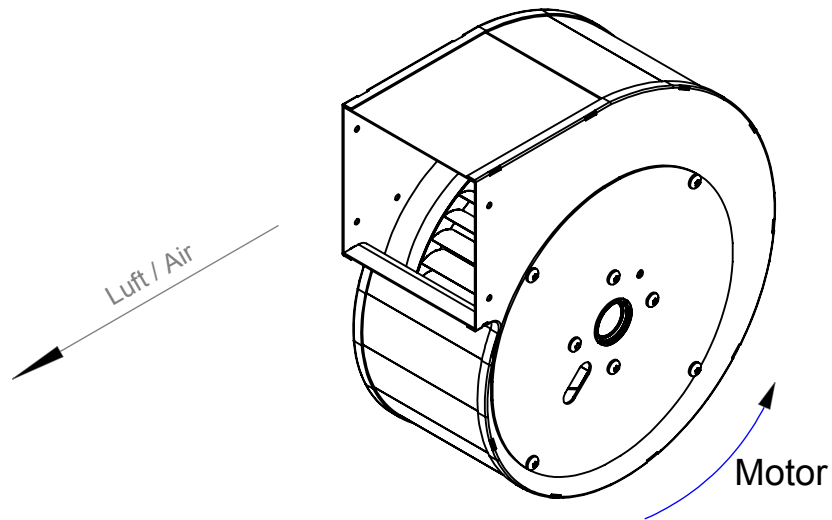
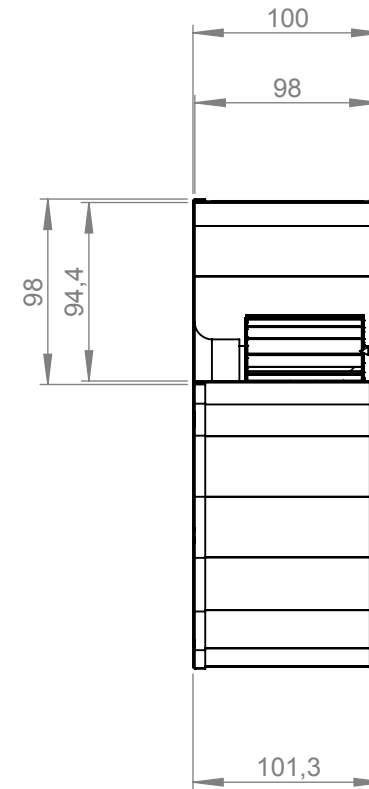
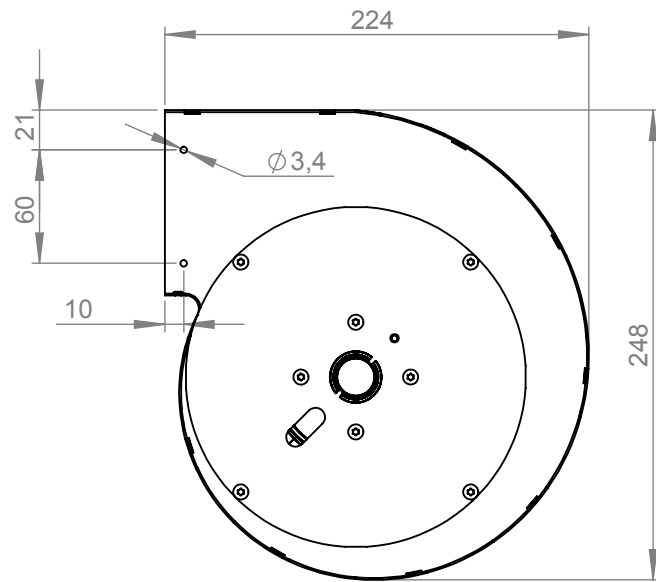


- Forward curved centrifugal fan
- Galvanized metal housing
- Galvanized steel impeller
- Speed controllable
- Integrated thermostatic switch

| Operating Point                 |       | 1    | 2    | 3    | 4    | 5    |
|---------------------------------|-------|------|------|------|------|------|
| Current I                       | A     | 0,3  | 0,3  | 0,4  | 0,4  | 0,4  |
| Power consumption $P_1$         | W     | 58   | 59   | 63   | 65   | 69   |
| Rotation speed n                | 1/min | 1439 | 1389 | 1328 | 1269 | 1205 |
| SWL inlet $L_{WA5}$             | dB(A) | 60   | 60   | 61   | 62   | 65   |
| SWL outlet $L_{WA6}$            | dB(A) | 58   | 59   | 60   | 64   | 66   |
| SWL housing break out $L_{WA2}$ | dB(A) | -    | -    | -    | -    | -    |

| Sound power ( $L_W$ ) dB(A) |           | Medium Frequency Band |    |     |     |     |    |    |    |    |
|-----------------------------|-----------|-----------------------|----|-----|-----|-----|----|----|----|----|
|                             |           | $\Sigma$              | 63 | 125 | 250 | 500 | 1k | 2k | 4k | 8k |
| Inlet                       | $L_{WA5}$ | 61                    | 34 | 42  | 49  | 54  | 57 | 55 | 52 | 45 |
| Outlet                      | $L_{WA6}$ | 60                    | 28 | 39  | 44  | 51  | 57 | 54 | 51 | 45 |
| Housing radiation           | $L_{WA2}$ | -                     | -  | -   | -   | -   | -  | -  | -  | -  |

| GE 160 4A 100472   100472         |          |
|-----------------------------------|----------|
| Voltage $U_N$                     | 230 V 1~ |
| Current $I_{max}$                 | 0,4 A    |
| Ambient temperature $t_A$         | 40 °C    |
| Conveyed medium temperature $t_M$ | 40 °C    |
| Speed Control                     | V        |
| Motor protection                  | TAI      |
| Insulation class motor            | B        |
| Weight                            | 1,8 kg   |
| Number of poles                   | 4        |
| IP motor                          | IP33     |
| IP terminal box                   | -        |
| IP complete unit                  | IPX3     |
| Min. operating temperature        | -25 °C   |



1:4 A4 mm



Protection Mark according to ISO16016

General tolerances DIN ISO 2768-c

**GE1604A100472+**

ruck Ventilatoren  
Max-Planck-Str. 5  
D-97944 Boxberg

Drawn: m.deissler  
Created: m.deissler  
Changed:

23.05.2017  
23.05.2017

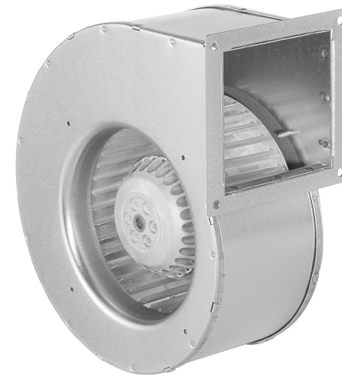
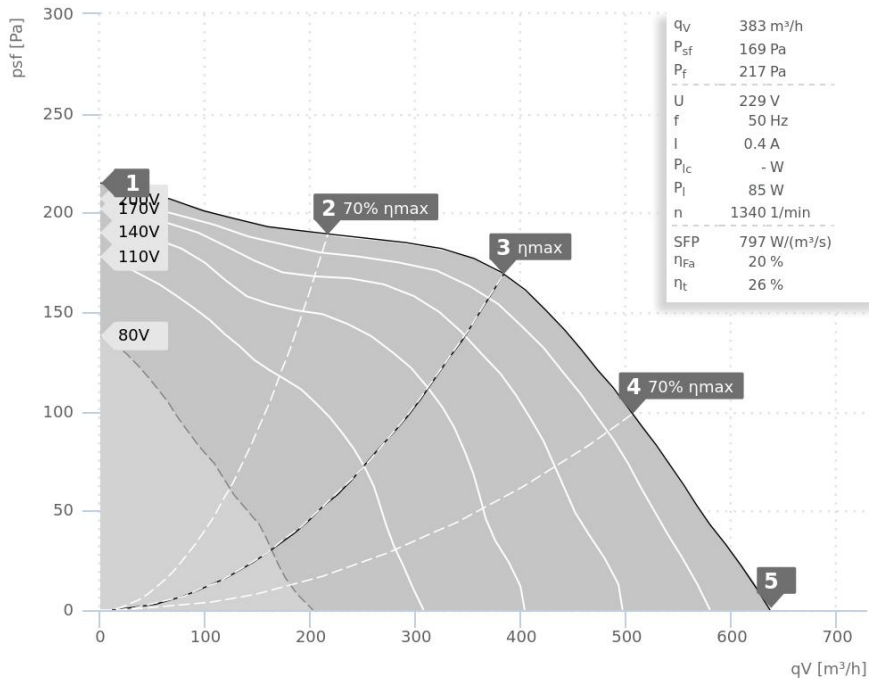
**100472 00**



# DATA SHEET

**ruck**.eu  
VENTILATOREN

GE 180 4A 01 | 103314

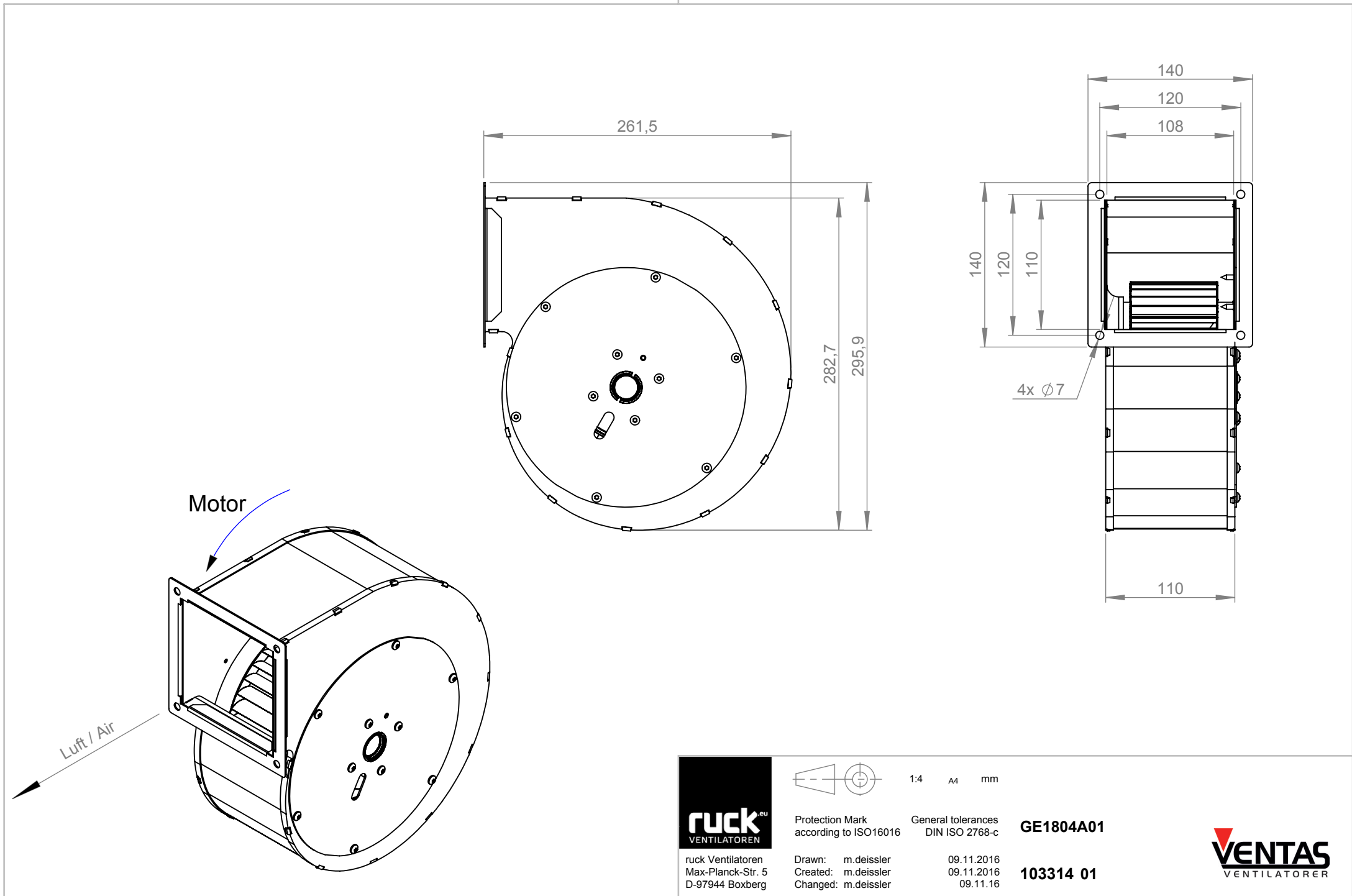


- Forward curved centrifugal fan
- Galvanized metal housing
- Galvanized steel impeller
- Speed controllable
- Integrated thermostatic switch

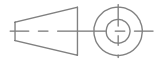
| Operating Point                 |       | 1    | 2    | 3    | 4    | 5    |
|---------------------------------|-------|------|------|------|------|------|
| Current $I$                     | A     | 0,4  | 0,4  | 0,4  | 0,5  | 0,5  |
| Power consumption $P_1$         | W     | 70   | 76   | 85   | 93   | 105  |
| Rotation speed $n$              | 1/min | 1448 | 1401 | 1341 | 1280 | 1185 |
| SWL inlet $L_{WA5}$             | dB(A) | 63   | 63   | 64   | 66   | 68   |
| SWL outlet $L_{WA6}$            | dB(A) | 60   | 62   | 63   | 65   | 67   |
| SWL housing break out $L_{WA2}$ | dB(A) | -    | -    | -    | -    | -    |

| Sound power ( $L_W$ ) dB(A) |           | Medium Frequency Band |    |     |     |     |    |    |    |    |
|-----------------------------|-----------|-----------------------|----|-----|-----|-----|----|----|----|----|
|                             |           | $\Sigma$              | 63 | 125 | 250 | 500 | 1k | 2k | 4k | 8k |
| Inlet                       | $L_{WA5}$ | 64                    | 30 | 42  | 51  | 56  | 59 | 58 | 55 | 47 |
| Outlet                      | $L_{WA6}$ | 63                    | 33 | 42  | 46  | 53  | 59 | 56 | 54 | 47 |
| Housing radiation           | $L_{WA2}$ | -                     | -  | -   | -   | -   | -  | -  | -  | -  |

| GE 180 4A 01   103314             |          |
|-----------------------------------|----------|
| Voltage $U_N$                     | 230 V 1~ |
| Current $I_{max}$                 | 0,5 A    |
| Ambient temperature $t_A$         | 50 °C    |
| Conveyed medium temperature $t_M$ | 50 °C    |
| Speed Control                     | V        |
| Motor protection                  | TAI      |
| Insulation class motor            | F        |
| Weight                            | 0,0 kg   |
| Number of poles                   | 4        |
| IP motor                          | IP33     |
| IP terminal box                   | -        |
| IP complete unit                  | IPX3     |
| Min. operating temperature        | -25 °C   |



ruck Ventilatoren  
 Max-Planck-Str. 5  
 D-97944 Boxberg



1:4 A4 mm

Protection Mark  
 according to ISO16016

General tolerances  
 DIN ISO 2768-c

**GE1804A01**

Drawn: m.deissler  
 Created: m.deissler  
 Changed: m.deissler

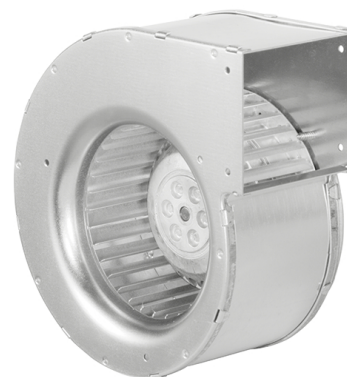
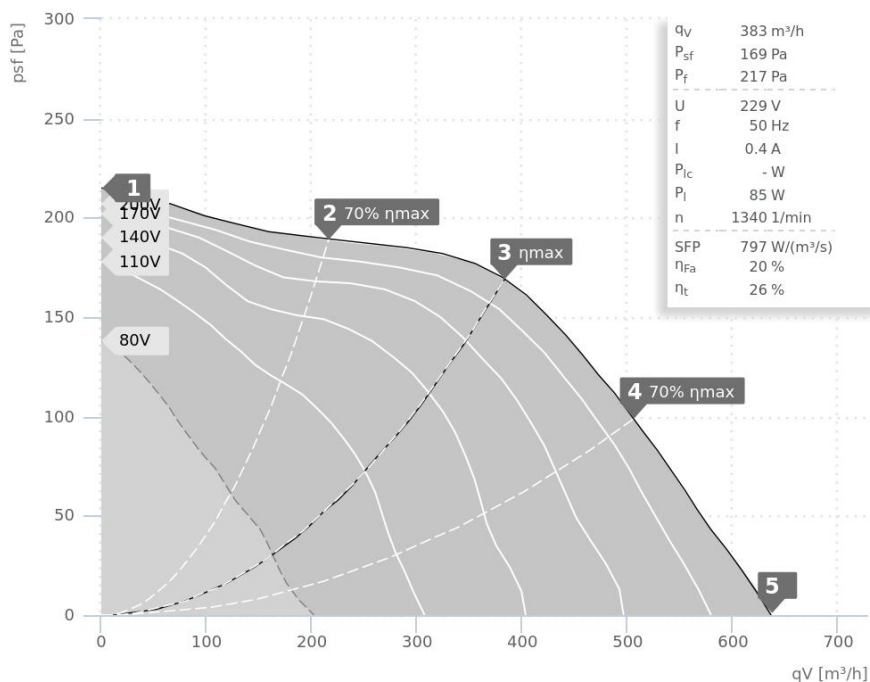
09.11.2016  
 09.11.2016  
 09.11.16

**103314 01**



# DATA SHEET

## GE 180 4A 103315 | 103315

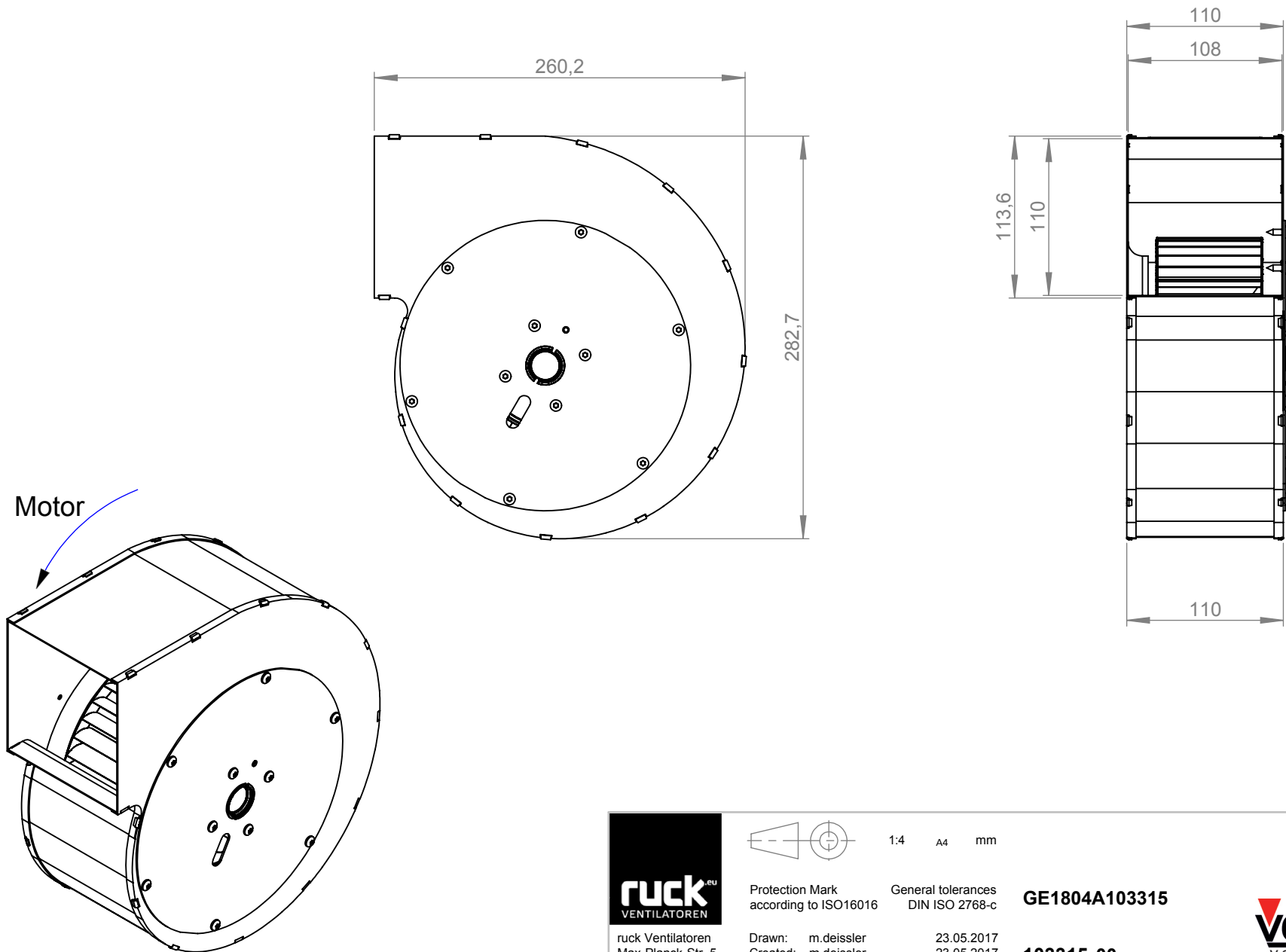


- Forward curved centrifugal fan
- Galvanized metal housing
- Galvanized steel impeller
- Speed controllable
- Integrated thermostatic switch

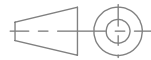
| Operating Point                 |       | 1    | 2    | 3    | 4    | 5    |
|---------------------------------|-------|------|------|------|------|------|
| Current $I$                     | A     | 0,4  | 0,4  | 0,4  | 0,5  | 0,5  |
| Power consumption $P_1$         | W     | 70   | 76   | 85   | 93   | 105  |
| Rotation speed $n$              | 1/min | 1448 | 1401 | 1341 | 1280 | 1185 |
| SWL inlet $L_{WA5}$             | dB(A) | 63   | 63   | 64   | 66   | 68   |
| SWL outlet $L_{WA6}$            | dB(A) | 60   | 62   | 63   | 65   | 67   |
| SWL housing break out $L_{WA2}$ | dB(A) | -    | -    | -    | -    | -    |

| Sound power ( $L_W$ ) dB(A) |           | Medium Frequency Band |    |     |     |     |    |    |    |    |
|-----------------------------|-----------|-----------------------|----|-----|-----|-----|----|----|----|----|
|                             |           | $\Sigma$              | 63 | 125 | 250 | 500 | 1k | 2k | 4k | 8k |
| Inlet                       | $L_{WA5}$ | 64                    | 30 | 42  | 51  | 56  | 59 | 58 | 55 | 47 |
| Outlet                      | $L_{WA6}$ | 63                    | 33 | 42  | 46  | 53  | 59 | 56 | 54 | 47 |
| Housing radiation           | $L_{WA2}$ | -                     | -  | -   | -   | -   | -  | -  | -  | -  |

| GE 180 4A 103315   103315         |          |
|-----------------------------------|----------|
| Voltage $U_N$                     | 230 V 1~ |
| Current $I_{max}$                 | 0,5 A    |
| Ambient temperature $t_A$         | 50 °C    |
| Conveyed medium temperature $t_M$ | 50 °C    |
| Speed Control                     | V        |
| Motor protection                  | TAI      |
| Insulation class motor            | F        |
| Weight                            | 0,0 kg   |
| Number of poles                   | 4        |
| IP motor                          | IP33     |
| IP terminal box                   | -        |
| IP complete unit                  | IPX3     |
| Min. operating temperature        | -25 °C   |



ruck Ventilatoren  
 Max-Planck-Str. 5  
 D-97944 Boxberg



Protection Mark  
 according to ISO16016

Drawn: m.deissler  
 Created: m.deissler  
 Changed:

1:4 A4 mm

General tolerances  
 DIN ISO 2768-c

23.05.2017  
 23.05.2017

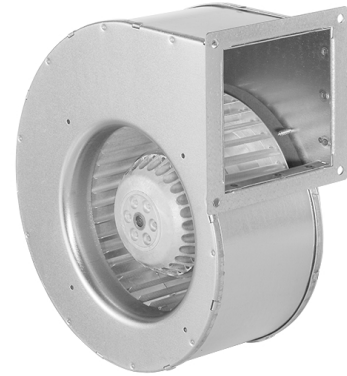
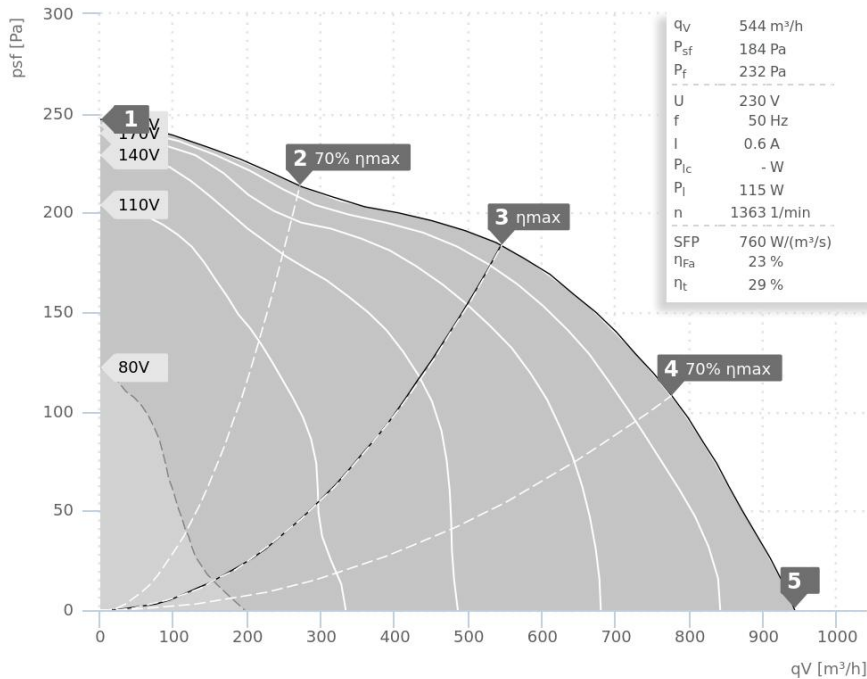
**GE1804A103315**

**103315 00**



# DATA SHEET

GE 180 4B 103333 | 103333

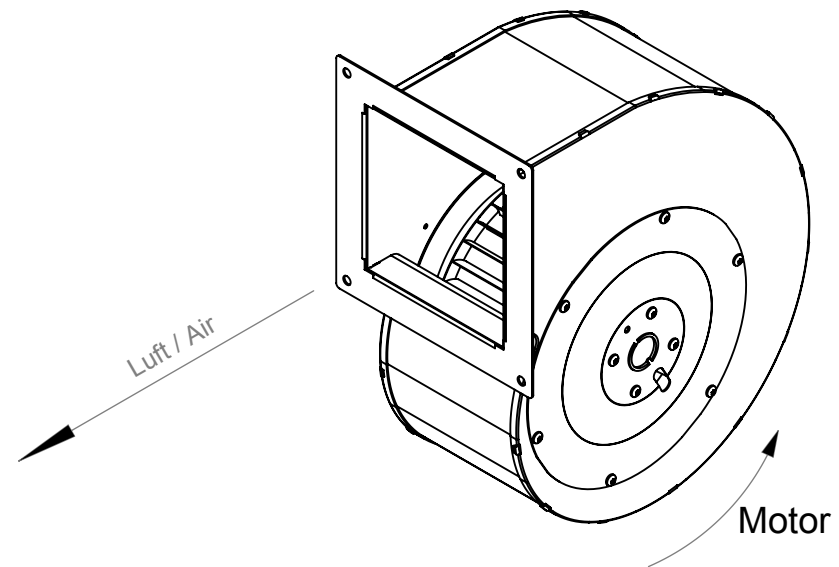
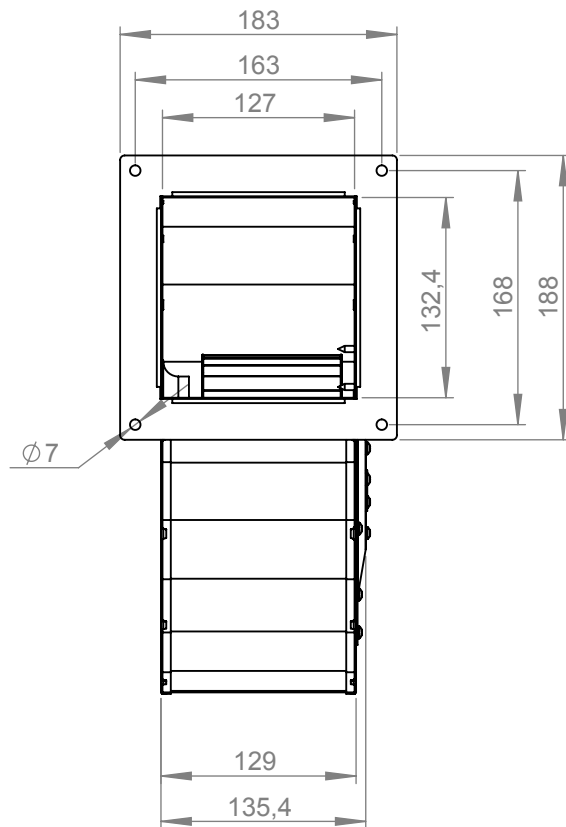
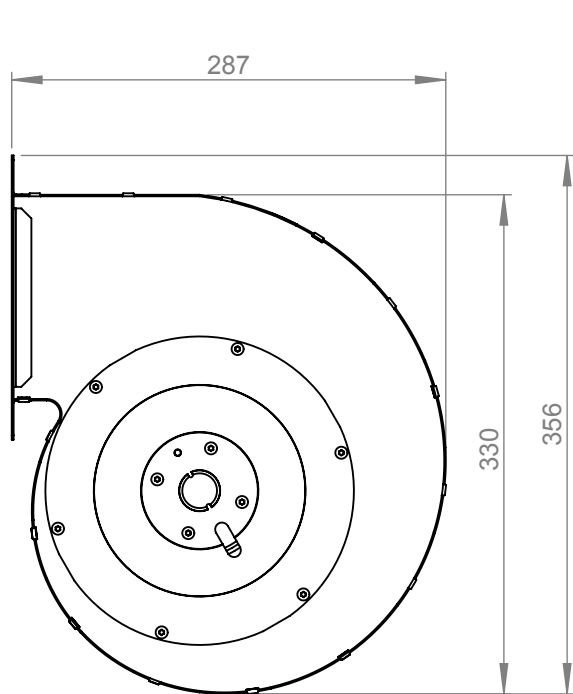


- Forward curved centrifugal fan
- Galvanized metal housing
- Galvanized steel impeller
- Speed controllable
- Integrated thermostatic switch

| Operating Point                        |       | 1    | 2    | 3    | 4    | 5    |
|--|-------|------|------|------|------|------|
| Current I                              | A     | 0,5  | 0,5  | 0,6  | 0,7  | 0,8  |
| Power consumption P <sub>i</sub>       | W     | 86   | 95   | 115  | 138  | 167  |
| Rotation speed n                       | 1/min | 1448 | 1418 | 1363 | 1287 | 1193 |
| SWL inlet L <sub>WA5</sub>             | dB(A) | 66   | 65   | 66   | 68   | 72   |
| SWL outlet L <sub>WA6</sub>            | dB(A) | 67   | 66   | 66   | 70   | 73   |
| SWL housing break out L <sub>WA2</sub> | dB(A) | -    | -    | -    | -    | -    |

| Sound power (L <sub>W</sub> ) dB(A) |                  | Medium Frequency Band |    |     |     |     |    |    |    |    |
|-------------------------------------|------------------|-----------------------|----|-----|-----|-----|----|----|----|----|
|                                     |                  | Σ                     | 63 | 125 | 250 | 500 | 1k | 2k | 4k | 8k |
| Inlet                               | L <sub>WA5</sub> | 66                    | 39 | 47  | 58  | 58  | 59 | 60 | 57 | 51 |
| Outlet                              | L <sub>WA6</sub> | 66                    | 38 | 48  | 52  | 59  | 62 | 59 | 57 | 53 |
| Housing radiation                   | L <sub>WA2</sub> | -                     | -  | -   | -   | -   | -  | -  | -  | -  |

| GE 180 4B 103333   103333                  |          |
|--|----------|
| Voltage U <sub>N</sub>                     | 230 V 1~ |
| Current I <sub>max</sub>                   | 0,8 A    |
| Ambient temperature t <sub>A</sub>         | 45 °C    |
| Conveyed medium temperature t <sub>M</sub> | 45 °C    |
| Speed Control                              | V        |
| Motor protection                           | TMI      |
| Insulation class motor                     | F        |
| Weight                                     | 2,7 kg   |
| Number of poles                            | 4        |
| IP motor                                   | IP33     |
| IP terminal box                            | -        |
| IP complete unit                           | IPX3     |
| Min. operating temperature                 | -25 °C   |



1:5 A4 mm

**ruck**<sup>EU</sup>  
VENTILATOREN

ruck Ventilatoren  
Max-Planck-Str. 5  
D-97944 Boxberg

Protection Mark  
according to ISO16016

Drawn: m.deissler  
Created: sy  
Changed: m.deissler

General tolerances  
DIN ISO 2768-c

28.10.13  
26.06.06  
14.01.15

**GE1804B103333**

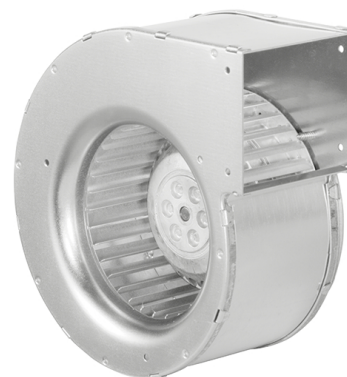
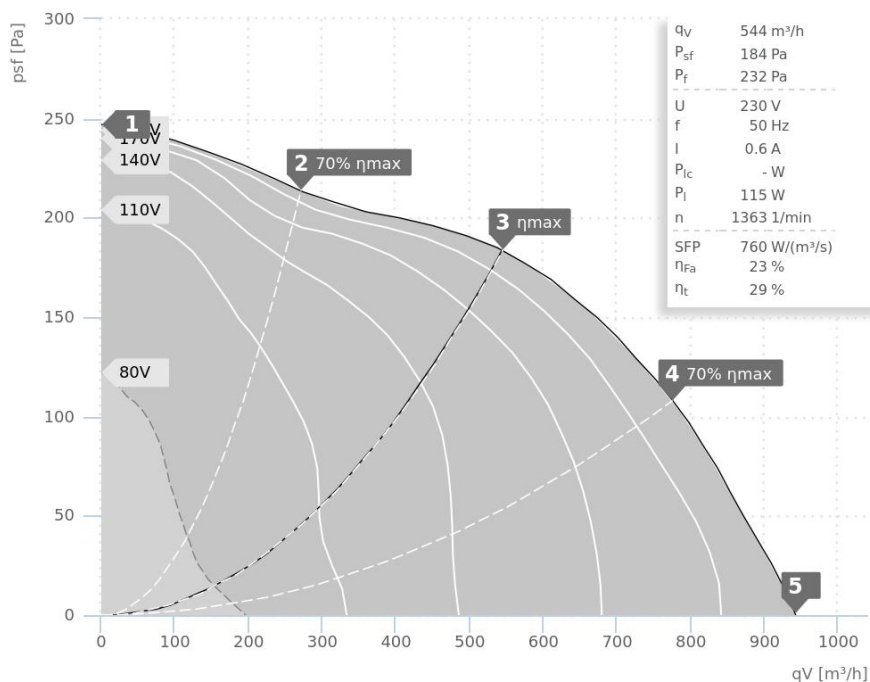
**103333 01**

**VENTAS**  
VENTILATORER



# DATA SHEET

GE 180 4B 103334 | 103334

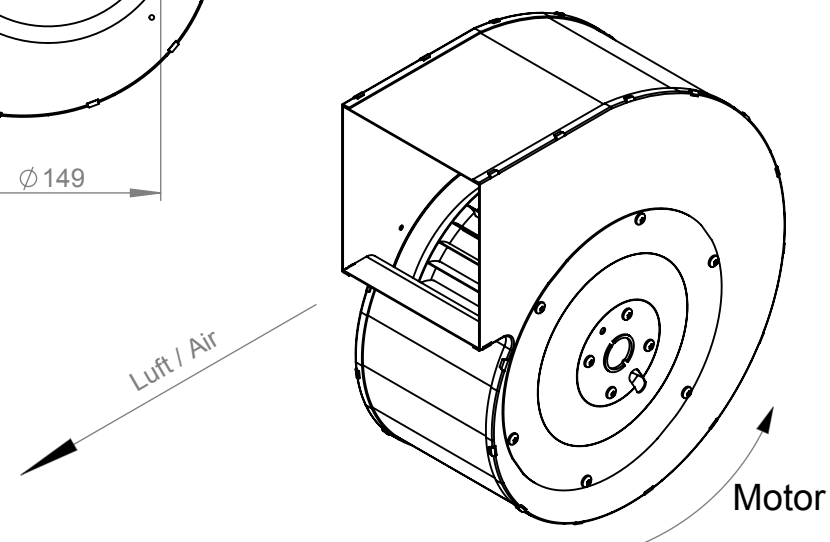
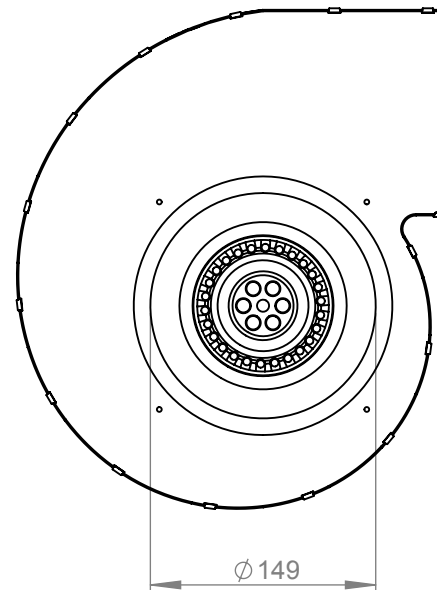
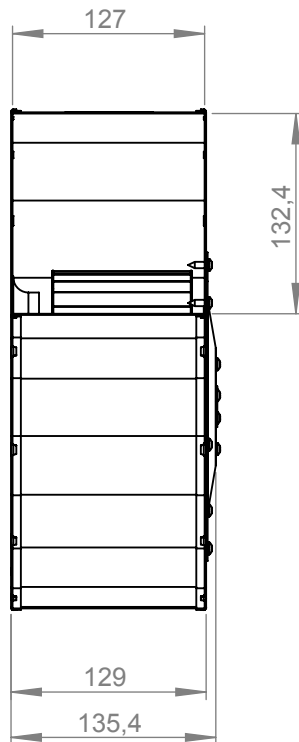
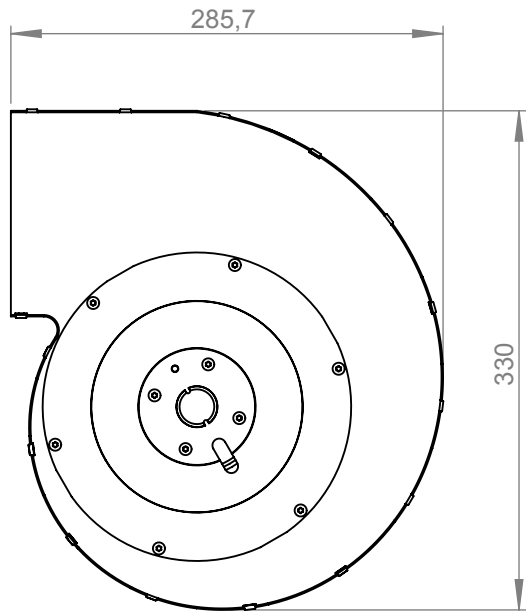


- Forward curved centrifugal fan
- Galvanized metal housing
- Galvanized steel impeller
- Speed controllable
- Integrated thermostatic switch

| Operating Point                        |       | 1    | 2    | 3    | 4    | 5    |
|--|-------|------|------|------|------|------|
| Current I                              | A     | 0,5  | 0,5  | 0,6  | 0,7  | 0,8  |
| Power consumption P <sub>i</sub>       | W     | 86   | 95   | 115  | 138  | 167  |
| Rotation speed n                       | 1/min | 1448 | 1418 | 1363 | 1287 | 1193 |
| SWL inlet L <sub>WA5</sub>             | dB(A) | 66   | 65   | 66   | 68   | 72   |
| SWL outlet L <sub>WA6</sub>            | dB(A) | 67   | 66   | 66   | 70   | 73   |
| SWL housing break out L <sub>WA2</sub> | dB(A) | -    | -    | -    | -    | -    |

| Sound power (L <sub>w</sub> ) dB(A) |                  | Medium Frequency Band |    |     |     |     |    |    |    |    |
|-------------------------------------|------------------|-----------------------|----|-----|-----|-----|----|----|----|----|
|                                     |                  | Σ                     | 63 | 125 | 250 | 500 | 1k | 2k | 4k | 8k |
| Inlet                               | L <sub>WA5</sub> | 66                    | 39 | 47  | 58  | 58  | 59 | 60 | 57 | 51 |
| Outlet                              | L <sub>WA6</sub> | 66                    | 38 | 48  | 52  | 59  | 62 | 59 | 57 | 53 |
| Housing radiation                   | L <sub>WA2</sub> | -                     | -  | -   | -   | -   | -  | -  | -  | -  |

| GE 180 4B 103334   103334                  |          |
|--|----------|
| Voltage U <sub>N</sub>                     | 230 V 1~ |
| Current I <sub>max</sub>                   | 0,8 A    |
| Ambient temperature t <sub>A</sub>         | 45 °C    |
| Conveyed medium temperature t <sub>M</sub> | 45 °C    |
| Speed Control                              | V        |
| Motor protection                           | TMI      |
| Insulation class motor                     | F        |
| Weight                                     | 2,6 kg   |
| Number of poles                            | 4        |
| IP motor                                   | IP33     |
| IP terminal box                            | -        |
| IP complete unit                           | IPX3     |
| Min. operating temperature                 | -25 °C   |



ruck Ventilatoren  
Max-Planck-Str. 5  
D-97944 Boxberg



1:5 A4 mm

Protection Mark  
according to ISO16016

General tolerances  
DIN ISO 2768-c

**GE1804B103334**

Drawn: m.deissler  
Created: sy  
Changed: m.deissler

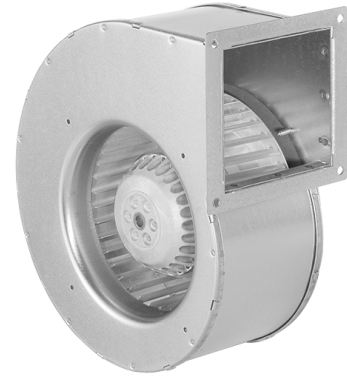
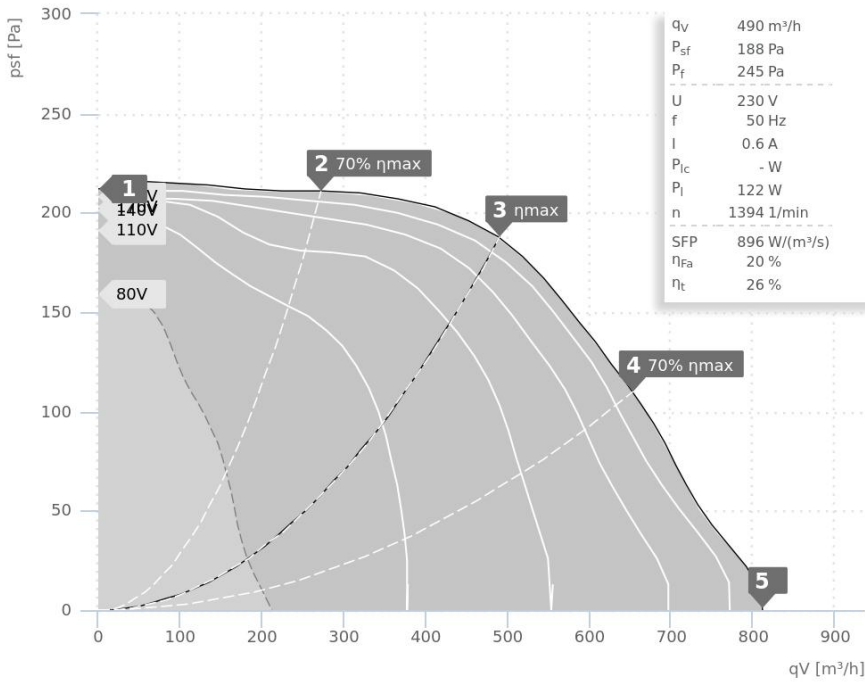
28.10.13  
26.06.06  
13.01.15

**103334 01**



# DATA SHEET

GE 180 4F 01 | 103324

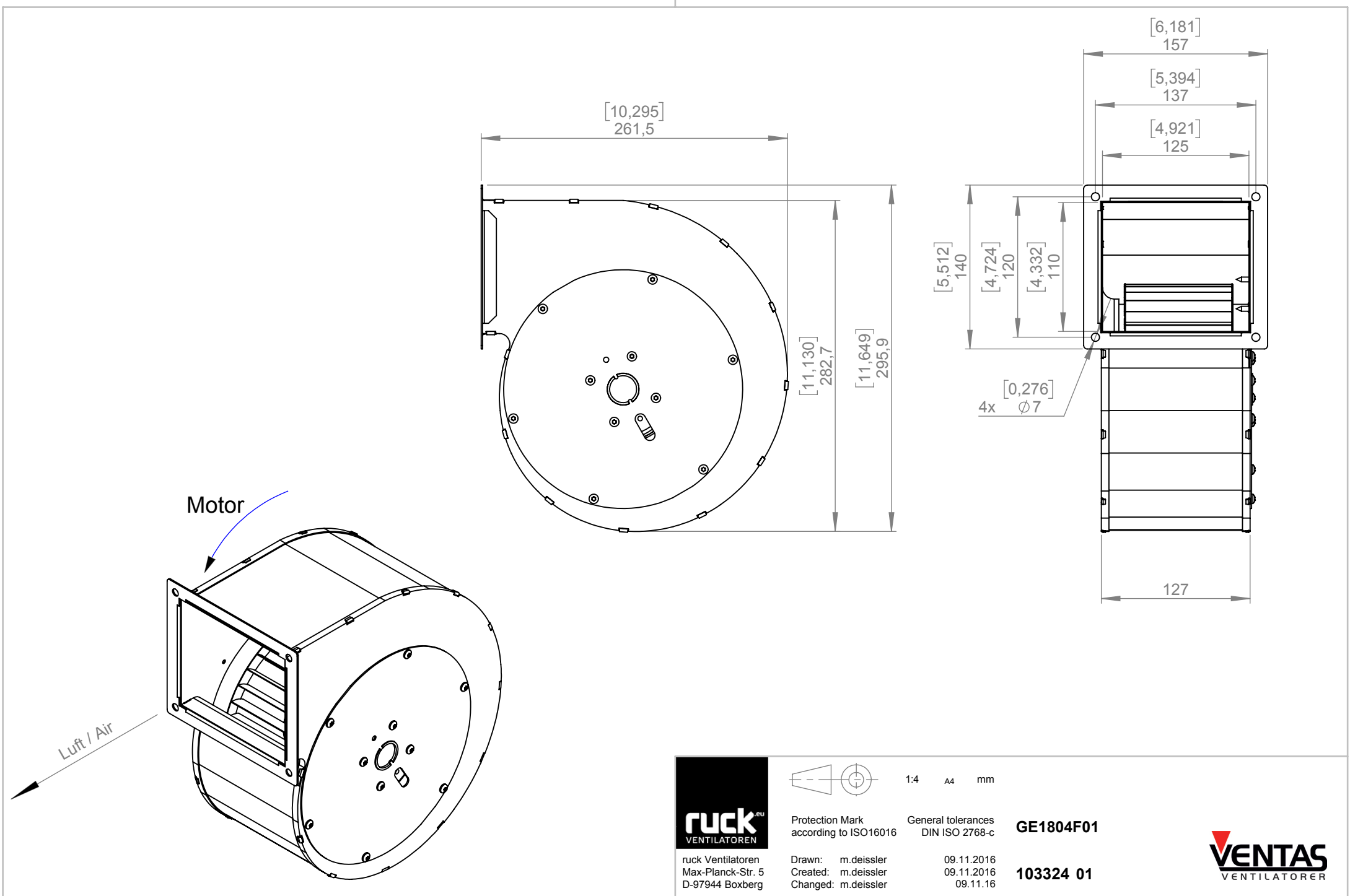


- Forward curved centrifugal fan
- Galvanized metal housing
- Galvanized steel impeller
- Speed controllable
- Integrated thermostatic switch

| Operating Point                 |       | 1    | 2    | 3    | 4    | 5    |
|---------------------------------|-------|------|------|------|------|------|
| Current I                       | A     | 0,5  | 0,6  | 0,6  | 0,7  | 0,7  |
| Power consumption $P_1$         | W     | 89   | 110  | 121  | 135  | 153  |
| Rotation speed n                | 1/min | 1460 | 1432 | 1393 | 1357 | 1305 |
| SWL inlet $L_{WA5}$             | dB(A) | 65   | 65   | 66   | 68   | 71   |
| SWL outlet $L_{WA6}$            | dB(A) | 65   | 64   | 65   | 68   | 71   |
| SWL housing break out $L_{WA2}$ | dB(A) | -    | -    | -    | -    | -    |

| Sound power ( $L_W$ ) dB(A) |           | Medium Frequency Band |    |     |     |     |    |    |    |    |
|-----------------------------|-----------|-----------------------|----|-----|-----|-----|----|----|----|----|
|                             |           | $\Sigma$              | 63 | 125 | 250 | 500 | 1k | 2k | 4k | 8k |
| Inlet                       | $L_{WA5}$ | -                     | -  | -   | -   | -   | -  | -  | -  | -  |
| Outlet                      | $L_{WA6}$ | -                     | -  | -   | -   | -   | -  | -  | -  | -  |
| Housing radiation           | $L_{WA2}$ | -                     | -  | -   | -   | -   | -  | -  | -  | -  |

| GE 180 4F 01   103324             |          |
|-----------------------------------|----------|
| Voltage $U_N$                     | 230 V 1~ |
| Current $I_{max}$                 | 0,8 A    |
| Ambient temperature $t_A$         | 40 °C    |
| Conveyed medium temperature $t_M$ | 40 °C    |
| Speed Control                     | V        |
| Motor protection                  | TMI      |
| Insulation class motor            | F        |
| Weight                            | 0,0 kg   |
| Number of poles                   | 4        |
| IP motor                          | IP33     |
| IP terminal box                   | -        |
| IP complete unit                  | IPX3     |
| Min. operating temperature        | -25 °C   |



ruck Ventilatoren  
 Max-Planck-Str. 5  
 D-97944 Boxberg



1:4 A4 mm

Protection Mark  
 according to ISO16016

General tolerances  
 DIN ISO 2768-c

**GE1804F01**

Drawn: m.deissler  
 Created: m.deissler  
 Changed: m.deissler

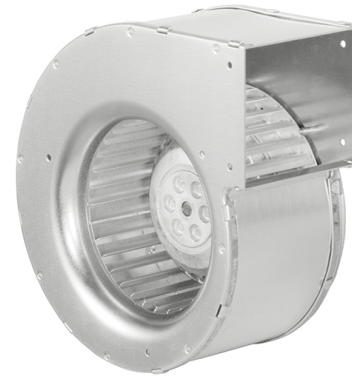
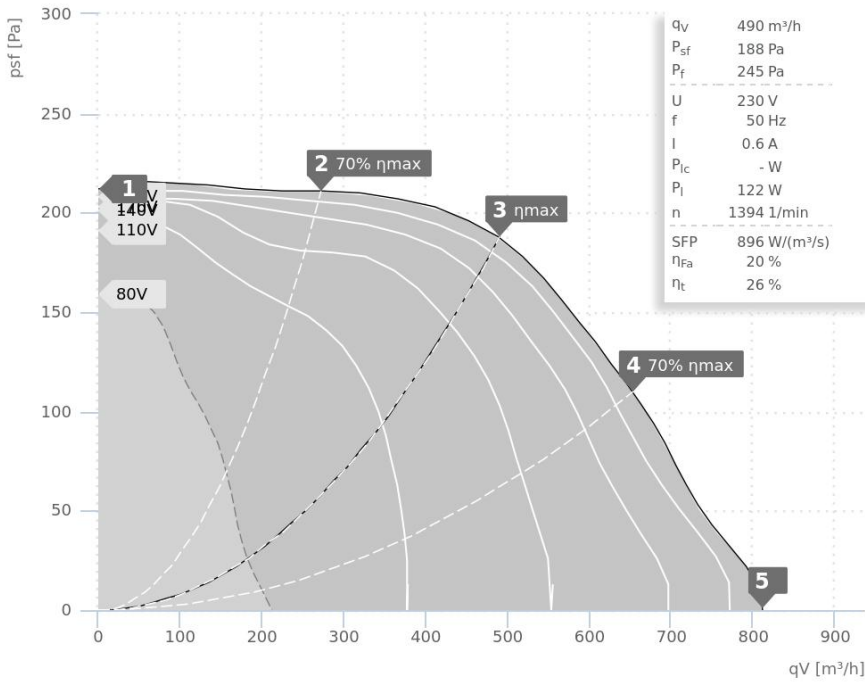
09.11.2016  
 09.11.2016  
 09.11.16

**103324 01**



# DATA SHEET

## GE 180 4F 103325 | 103325

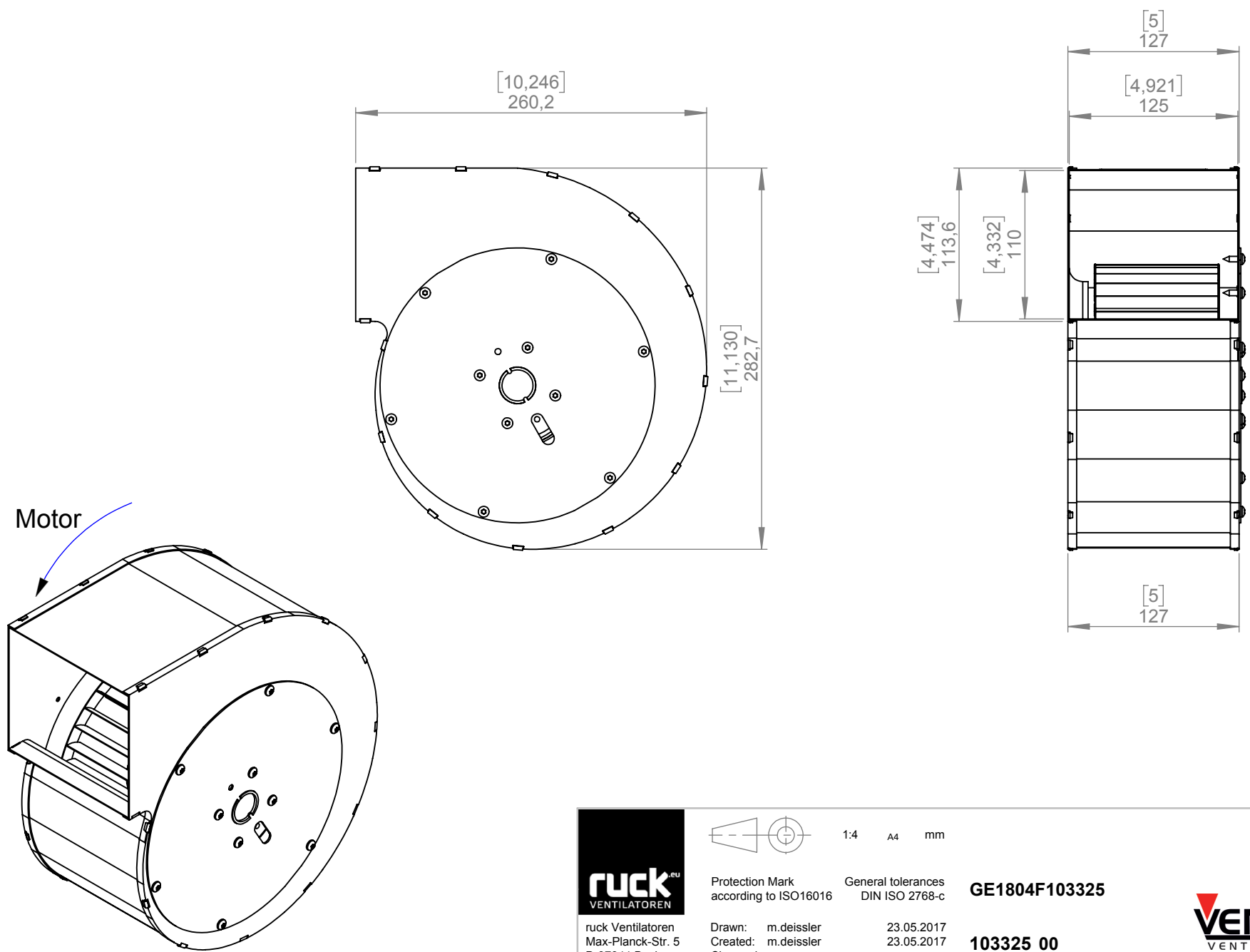


- Backward curved centrifugal fan
- Galvanized metal housing
- Galvanized steel impeller
- Speed controllable
- Integrated thermostatic switch

| Operating Point                        |       | 1   | 2   | 3   | 4   | 5   |
|--|-------|-----|-----|-----|-----|-----|
| Current I                              | A     | 0,0 | 0,0 | 0,0 | 0,0 | 0,0 |
| Power consumption P <sub>i</sub>       | W     | -   | -   | -   | -   | -   |
| Rotation speed n                       | 1/min | -   | -   | -   | -   | -   |
| SWL inlet L <sub>WA5</sub>             | dB(A) | -   | -   | -   | -   | -   |
| SWL outlet L <sub>WA6</sub>            | dB(A) | -   | -   | -   | -   | -   |
| SWL housing break out L <sub>WA2</sub> | dB(A) | -   | -   | -   | -   | -   |

| Sound power (L <sub>W</sub> ) dB(A) |                  | Medium Frequency Band |    |     |     |     |    |    |    |    |
|-------------------------------------|------------------|-----------------------|----|-----|-----|-----|----|----|----|----|
|                                     |                  | Σ                     | 63 | 125 | 250 | 500 | 1k | 2k | 4k | 8k |
| Inlet                               | L <sub>WA5</sub> | -                     | -  | -   | -   | -   | -  | -  | -  | -  |
| Outlet                              | L <sub>WA6</sub> | -                     | -  | -   | -   | -   | -  | -  | -  | -  |
| Housing radiation                   | L <sub>WA2</sub> | -                     | -  | -   | -   | -   | -  | -  | -  | -  |

| GE 180 4F 103325   103325                  |          |
|--|----------|
| Voltage U <sub>N</sub>                     | 230 V 1~ |
| Current I <sub>max</sub>                   | 0,8 A    |
| Ambient temperature t <sub>A</sub>         | 40 °C    |
| Conveyed medium temperature t <sub>M</sub> | 40 °C    |
| Speed Control                              | V        |
| Motor protection                           | TMI      |
| Insulation class motor                     | F        |
| Weight                                     | 0,0 kg   |
| Number of poles                            | 4        |
| IP motor                                   | IP33     |
| IP terminal box                            | -        |
| IP complete unit                           | IPX3     |
| Min. operating temperature                 | -25 °C   |



Motor

Luft / Air



ruck Ventilatoren  
Max-Planck-Str. 5  
D-97944 Boxberg



1:4 A4 mm

Protection Mark  
according to ISO16016

General tolerances  
DIN ISO 2768-c

**GE1804F103325**

Drawn: m.deissler  
Created: m.deissler  
Changed:

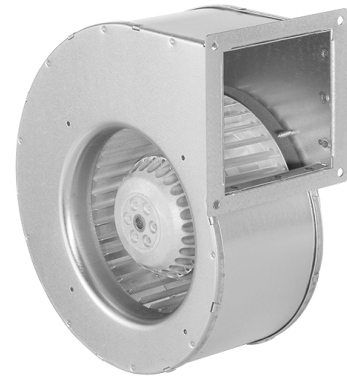
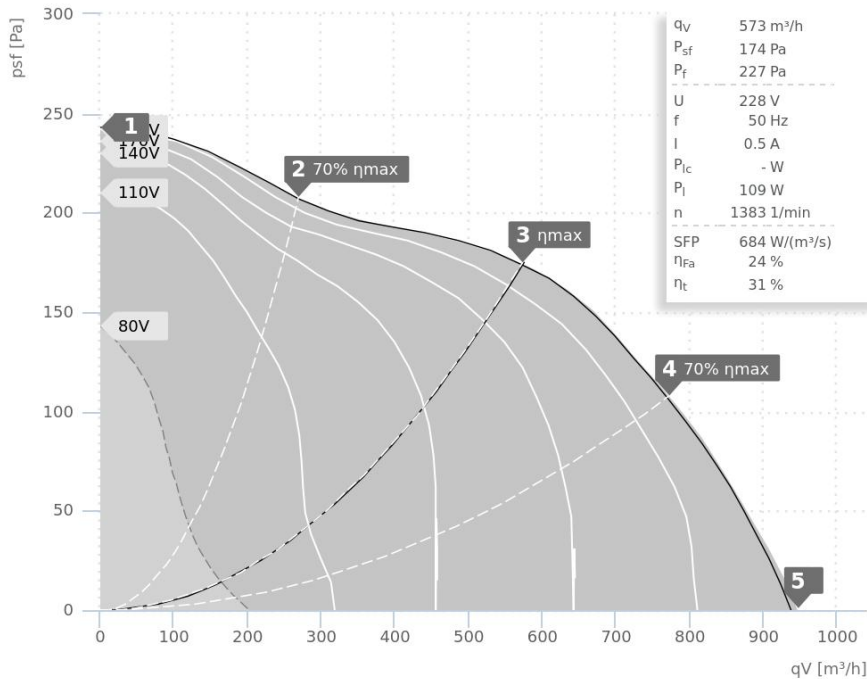
23.05.2017  
23.05.2017

**103325 00**



# DATA SHEET

GE 180 4G 100479 | 100479

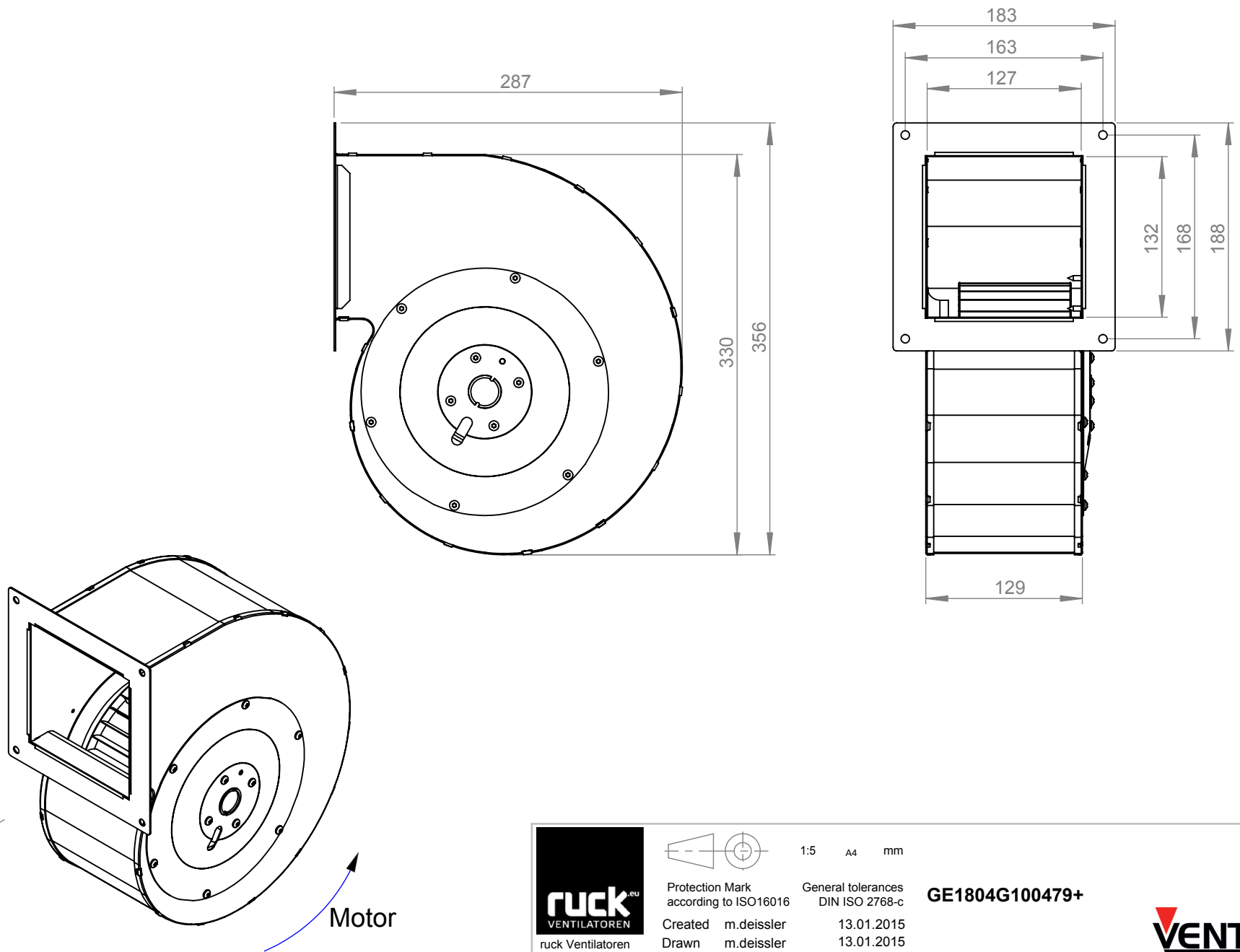


- Forward curved centrifugal fan
- Galvanized metal housing
- Galvanized steel impeller
- Speed controllable
- Integrated thermostatic switch

| Operating Point                        |       | 1    | 2    | 3    | 4    | 5    |
|--|-------|------|------|------|------|------|
| Current I                              | A     | 0,4  | 0,5  | 0,5  | 0,6  | 0,7  |
| Power consumption P <sub>i</sub>       | W     | 77   | 89   | 110  | 130  | 160  |
| Rotation speed n                       | 1/min | 1459 | 1438 | 1385 | 1324 | 1215 |
| SWL inlet L <sub>WA5</sub>             | dB(A) | 63   | 65   | 65   | 68   | 71   |
| SWL outlet L <sub>WA6</sub>            | dB(A) | 64   | 65   | 66   | 68   | 72   |
| SWL housing break out L <sub>WA2</sub> | dB(A) | -    | -    | -    | -    | -    |

| Sound power (L <sub>w</sub> ) dB(A) |                  | Medium Frequency Band |    |     |     |     |    |    |    |    |
|-------------------------------------|------------------|-----------------------|----|-----|-----|-----|----|----|----|----|
|                                     |                  | Σ                     | 63 | 125 | 250 | 500 | 1k | 2k | 4k | 8k |
| Inlet                               | L <sub>WA5</sub> | 65                    | 40 | 47  | 56  | 57  | 59 | 60 | 56 | 49 |
| Outlet                              | L <sub>WA6</sub> | 66                    | 40 | 47  | 52  | 59  | 62 | 59 | 57 | 52 |
| Housing radiation                   | L <sub>WA2</sub> | -                     | -  | -   | -   | -   | -  | -  | -  | -  |

| GE 180 4G 100479   100479                  |          |
|--|----------|
| Voltage U <sub>N</sub>                     | 230 V 1~ |
| Current I <sub>max</sub>                   | 0,8 A    |
| Ambient temperature t <sub>A</sub>         | 60 °C    |
| Conveyed medium temperature t <sub>M</sub> | 60 °C    |
| Speed Control                              | V        |
| Motor protection                           | TAI      |
| Insulation class motor                     | F        |
| Weight                                     | 4,8 kg   |
| Number of poles                            | 4        |
| IP motor                                   | IP33     |
| IP terminal box                            | -        |
| IP complete unit                           | IPX3     |
| Min. operating temperature                 | -25 °C   |



**ruck**<sup>eu</sup>  
VENTILATOREN  
ruck Ventilatoren  
Max-Planck-Str. 5  
D-97944 Boxberg



Protection Mark  
according to ISO 16016  
Created m.deissler  
Drawn m.deissler  
Released v.brand  
Disabled

1:5 A4 mm

General tolerances  
DIN ISO 2768-c

**GE1804G100479+**

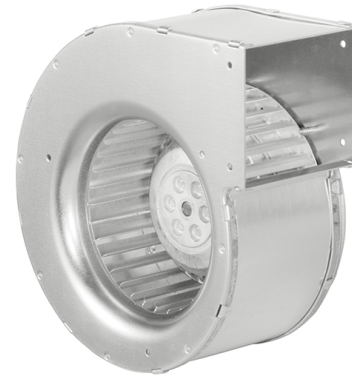
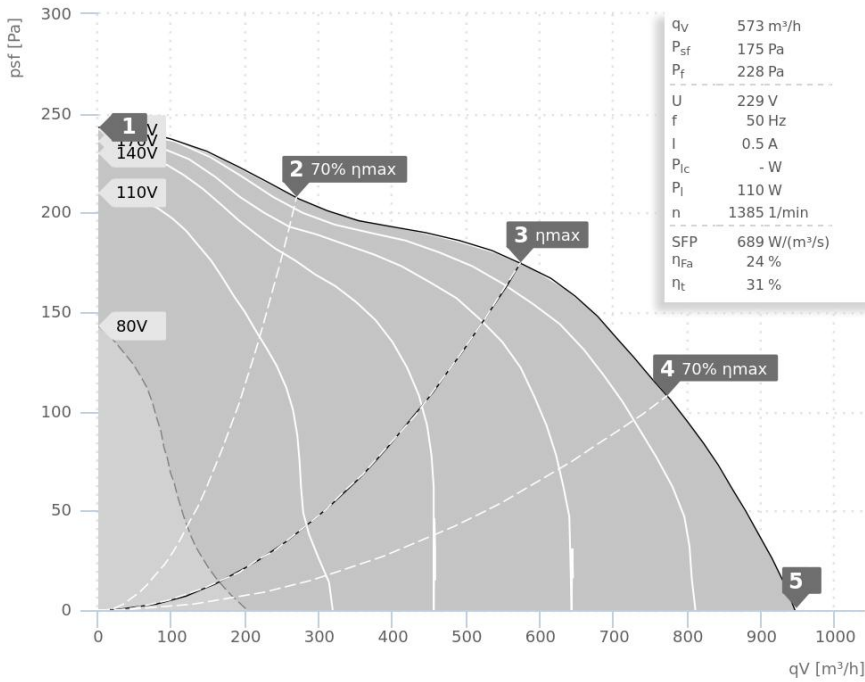
**100479 01**

**VENTAS**  
VENTILATOREN



# DATA SHEET

GE 180 4G 108279 | 108279

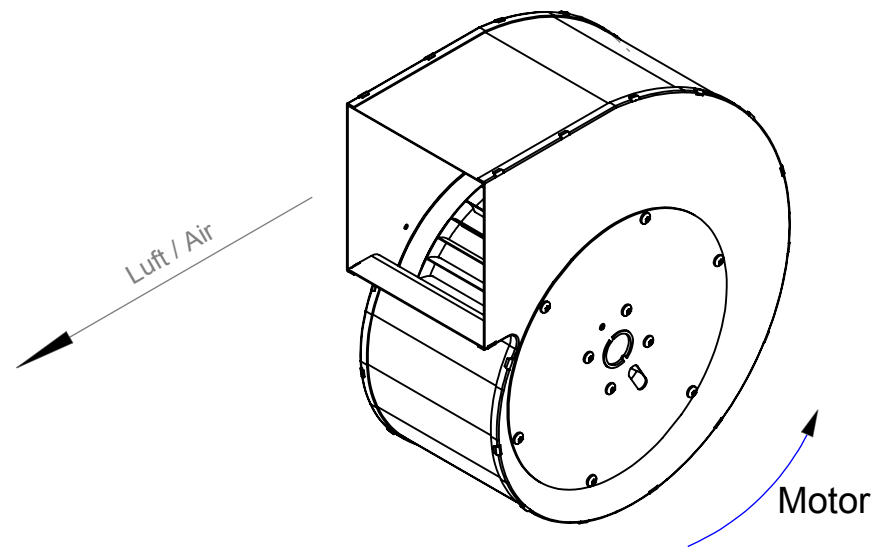
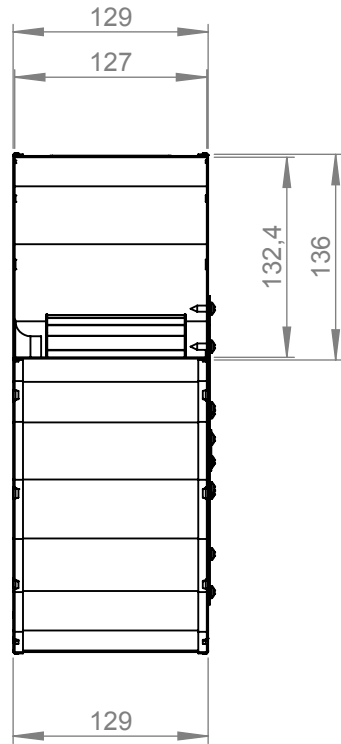
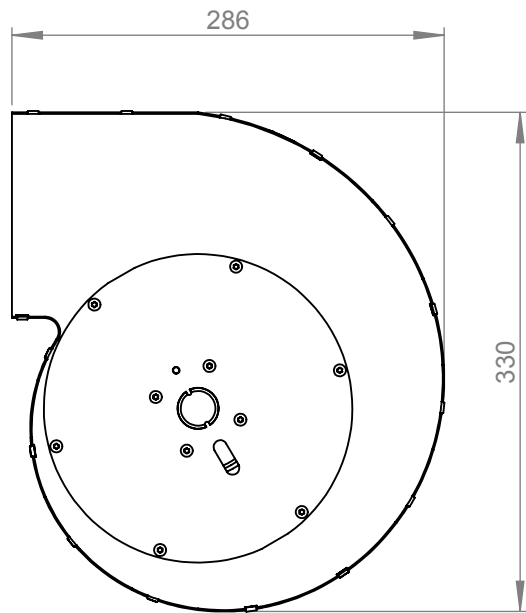


- Forward curved centrifugal fan
- Galvanized metal housing
- Galvanized steel impeller
- Speed controllable
- Integrated thermostatic switch

| Operating Point                        |       | 1    | 2    | 3    | 4    | 5    |
|--|-------|------|------|------|------|------|
| Current I                              | A     | 0,4  | 0,5  | 0,5  | 0,6  | 0,7  |
| Power consumption P <sub>i</sub>       | W     | 77   | 89   | 110  | 130  | 160  |
| Rotation speed n                       | 1/min | 1459 | 1438 | 1385 | 1324 | 1215 |
| SWL inlet L <sub>WA5</sub>             | dB(A) | 63   | 65   | 65   | 68   | 71   |
| SWL outlet L <sub>WA6</sub>            | dB(A) | 64   | 65   | 66   | 68   | 72   |
| SWL housing break out L <sub>WA2</sub> | dB(A) | -    | -    | -    | -    | -    |

| Sound power (L <sub>W</sub> ) dB(A) |                  | Medium Frequency Band |    |     |     |     |    |    |    |    |
|-------------------------------------|------------------|-----------------------|----|-----|-----|-----|----|----|----|----|
|                                     |                  | Σ                     | 63 | 125 | 250 | 500 | 1k | 2k | 4k | 8k |
| Inlet                               | L <sub>WA5</sub> | 65                    | 40 | 47  | 56  | 57  | 59 | 60 | 56 | 49 |
| Outlet                              | L <sub>WA6</sub> | 66                    | 40 | 47  | 52  | 59  | 62 | 59 | 57 | 52 |
| Housing radiation                   | L <sub>WA2</sub> | -                     | -  | -   | -   | -   | -  | -  | -  | -  |

| GE 180 4G 108279   108279                  |          |
|--|----------|
| Voltage U <sub>N</sub>                     | 230 V 1~ |
| Current I <sub>max</sub>                   | 0,8 A    |
| Ambient temperature t <sub>A</sub>         | 60 °C    |
| Conveyed medium temperature t <sub>M</sub> | 60 °C    |
| Speed Control                              | V        |
| Motor protection                           | TAI      |
| Insulation class motor                     | F        |
| Weight                                     | 4,7 kg   |
| Number of poles                            | 4        |
| IP motor                                   | IP33     |
| IP terminal box                            | -        |
| IP complete unit                           | IPX3     |
| Min. operating temperature                 | -25 °C   |



1:5 A4 mm

**ruck**<sup>EU</sup>  
VENTILATOREN

ruck Ventilatoren  
Max-Planck-Str. 5  
D-97944 Boxberg

Protection Mark  
according to ISO16016

Drawn: m.deissler  
Created: m.deissler  
Changed:

General tolerances  
DIN ISO 2768-c

02.03.2015  
02.03.2015

**GE1804G108279+**

**108279 00**

**VENTAS**  
VENTILATOREN