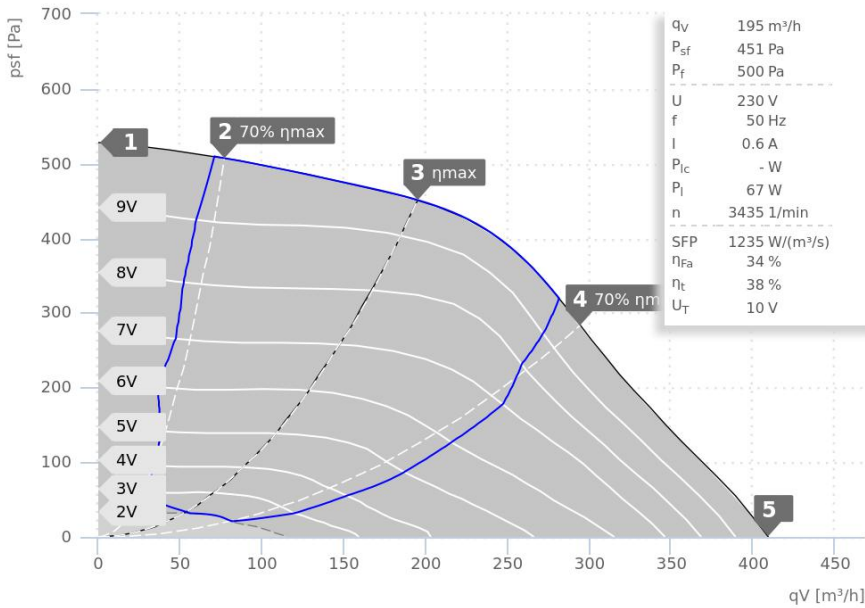


DATA SHEET

ruck.eu
VENTILATOREN

GE 120 ECA 131051 | 131051



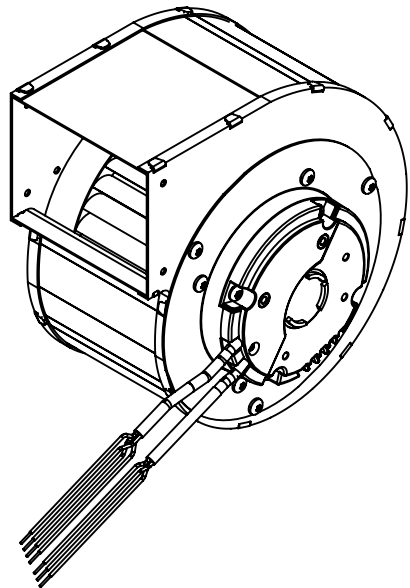
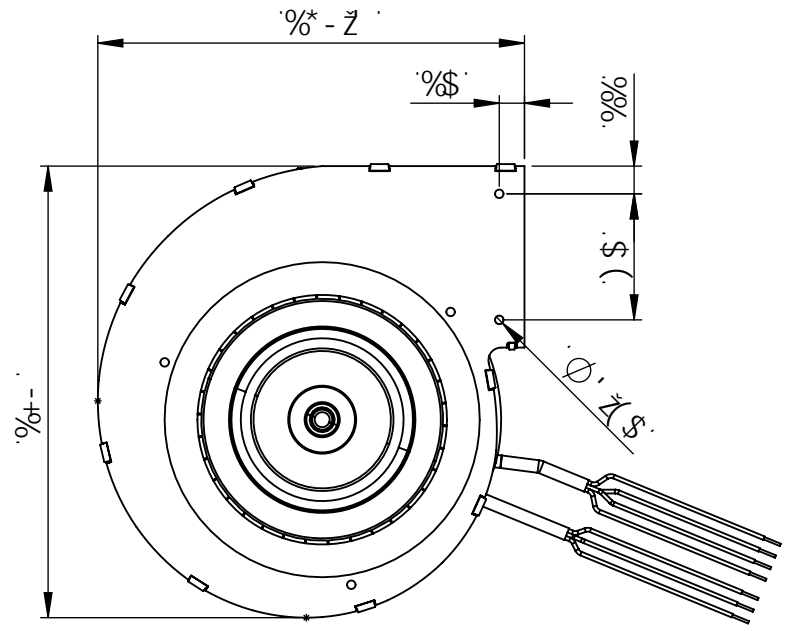
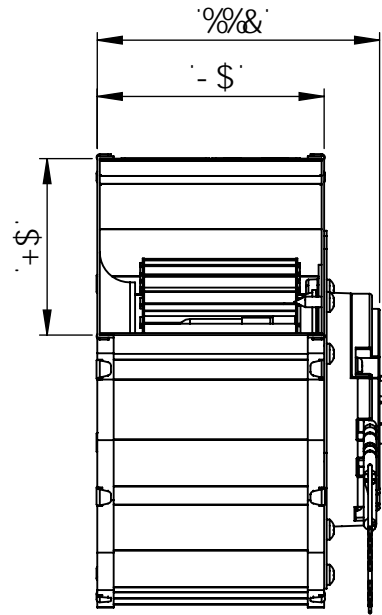
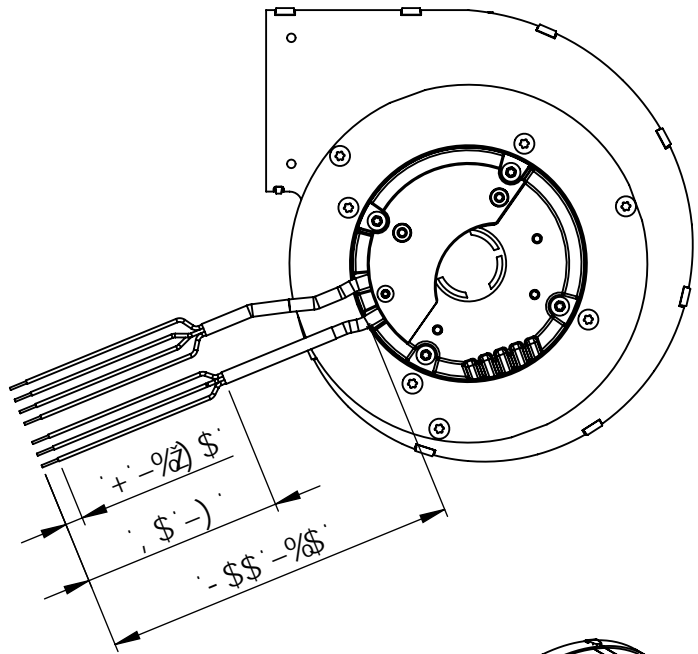
- Forward curved centrifugal fan
- With EC motor
- Integrated electronic
- Speed controllable
- Internal electronic temperature monitoring
- Galvanized metal housing
- Galvanized steel impeller

— ErP compliant range

Operating Point		1	2	3	4	5
Current I	A	0,4	0,4	0,6	0,7	0,9
Power consumption P _i	W	35	43	67	90	110
Rotation speed n	1/min	3590	3583	3435	3198	2920
SWL inlet L _{WA5}	dB(A)	72	72	73	75	77
SWL outlet L _{WA6}	dB(A)	74	74	74	76	78
SWL housing break out L _{WA2}	dB(A)	-	-	-	-	-

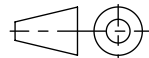
Sound power (L _W) dB(A)		Medium Frequency Band								
		Σ	63	125	250	500	1k	2k	4k	8k
Inlet	L _{WA5}	73	42	59	58	65	65	66	67	62
Outlet	L _{WA6}	74	40	54	56	62	67	70	67	63
Housing radiation	L _{WA2}	-	-	-	-	-	-	-	-	-

GE 120 ECA 131051 131051	
Voltage U _N	230 V 1~
Current I _{max}	0,9 A
Ambient temperature t _A	60 °C
Conveyed medium temperature t _M	60 °C
Speed Control	0-10V
Motor protection	TEC
Insulation class motor	F
Weight	1,9 kg
Number of poles	-
IP motor	IP54
IP terminal box	-
IP complete unit	IPX4
Min. operating temperature	-30 °C



ruck^{EU}
VENTILATOREN

! " & A ^ } c p q : \ }
T x y u v w x y z
Ö B I J I I A Ö c a ! *



FKH 5(((

Ü j [c & q] A t a l
a b c d e f g h i j k l m n o p q r s t u v w x y z

Ö ^ \ a b c d e f g h i j k l m n o p q r s t u v w x y z

; 9 % & \$ 9 7 5 % (\$) %

Ö i a j } K @ # \$ % ^ & * () _ + = , . / : ; ' " & A ^ } c p q : \ }
Ö ^ \ a b c d e f g h i j k l m n o p q r s t u v w x y z
Ö i a j } K @ # \$ % ^ & * () _ + = , . / : ; ' " & A ^ } c p q : \ }

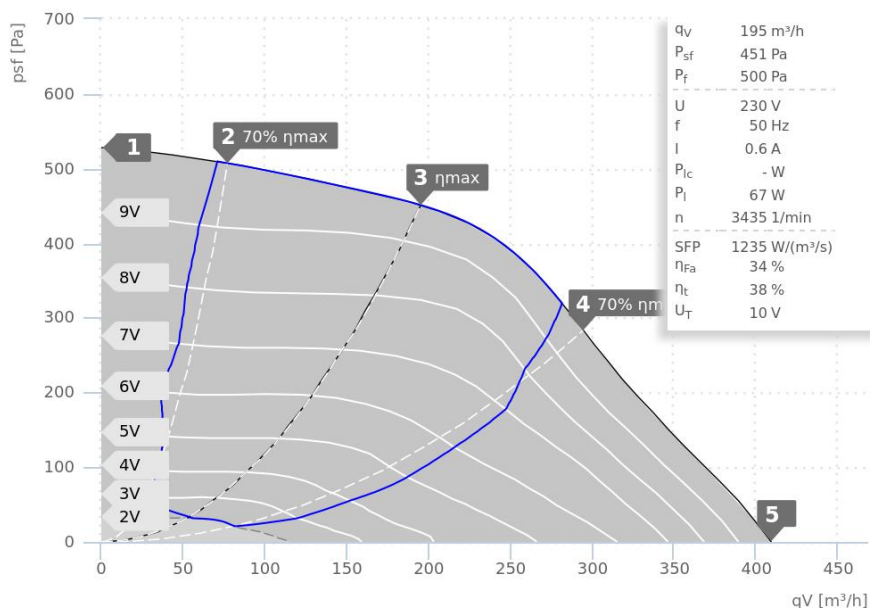
F i f e e n
F i f e e n
G e f e e n

% (\$) % \$ \$



DATA SHEET

GE 120 ECA 131054 | 131054



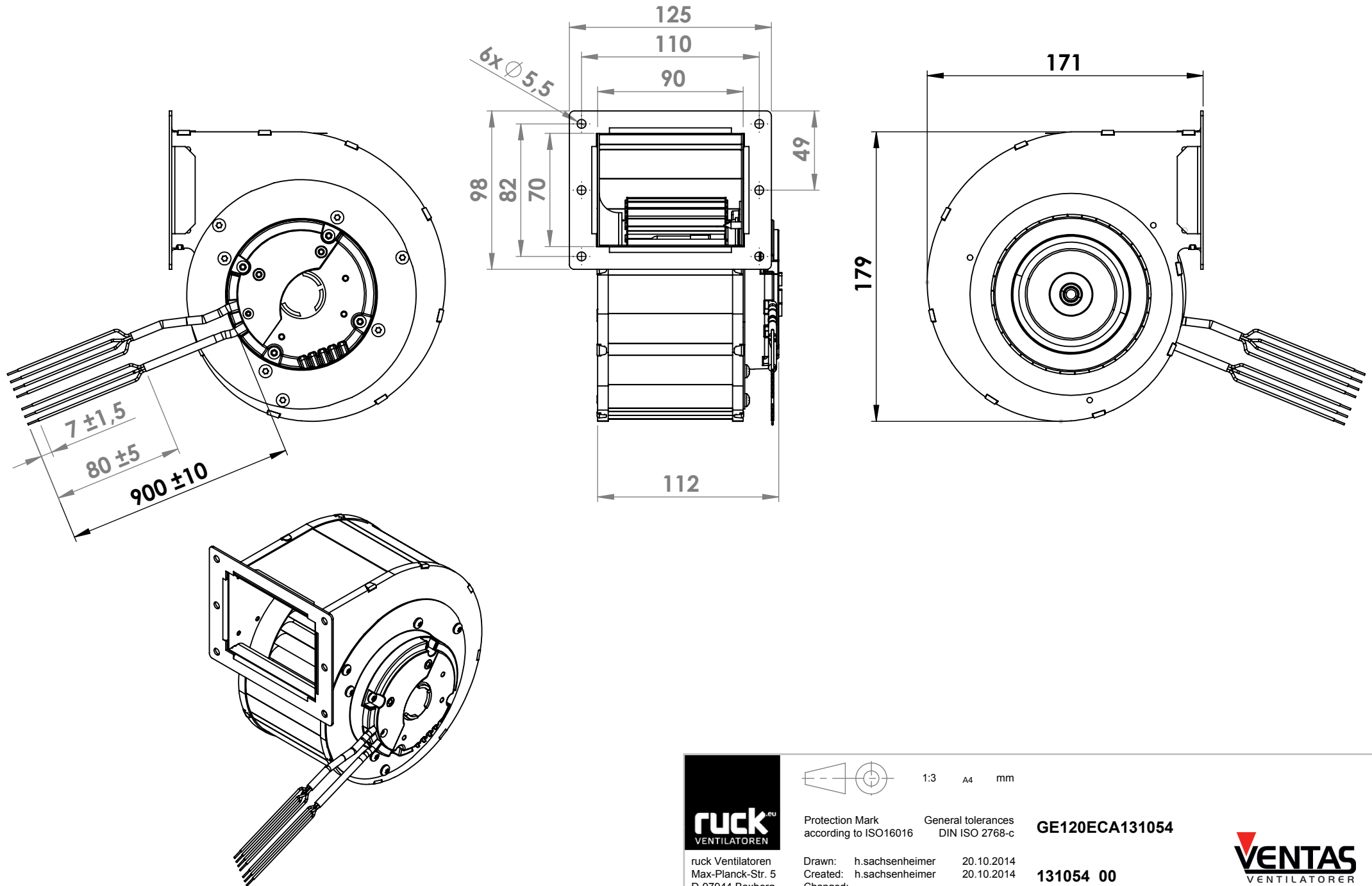
- Forward curved centrifugal fan
- With EC motor
- Integrated electronic
- Speed controllable
- Internal electronic temperature monitoring
- Galvanized metal housing
- Galvanized steel impeller

— ErP compliant range

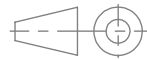
Operating Point		1	2	3	4	5
Current I	A	0,4	0,4	0,6	0,7	0,9
Power consumption P_1	W	35	43	67	90	110
Rotation speed n	1/min	3590	3583	3435	3198	2920
SWL inlet L_{WA5}	dB(A)	72	72	73	75	77
SWL outlet L_{WA6}	dB(A)	74	74	74	76	78
SWL housing break out L_{WA2}	dB(A)	-	-	-	-	-

Sound power (L_W) dB(A)		Medium Frequency Band								
		Σ	63	125	250	500	1k	2k	4k	8k
Inlet	L_{WA5}	73	42	59	58	65	65	66	67	62
Outlet	L_{WA6}	74	40	54	56	62	67	70	67	63
Housing radiation	L_{WA2}	-	-	-	-	-	-	-	-	-

GE 120 ECA 131054 131054	
Voltage U_N	230 V 1~
Current I_{max}	0,9 A
Ambient temperature t_A	60 °C
Conveyed medium temperature t_M	60 °C
Speed Control	0-10V
Motor protection	TEC
Insulation class motor	F
Weight	1,9 kg
Number of poles	-
IP motor	IP54
IP terminal box	-
IP complete unit	IPX4
Min. operating temperature	-30 °C



ruck Ventilatoren
Max-Planck-Str. 5
D-97944 Boxberg



1:3 A4 mm

Protection Mark
according to ISO16016

General tolerances
DIN ISO 2768-c

GE120ECA131054

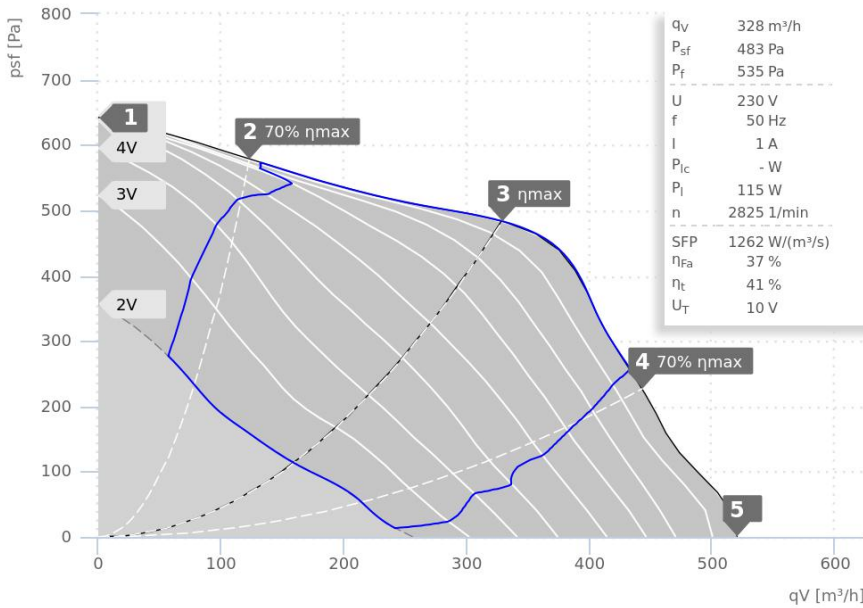
Drawn: h.sachsenheimer 20.10.2014
Created: h.sachsenheimer 20.10.2014
Changed:

131054 00



DATA SHEET

GE 140 ECA 130958 | 130958



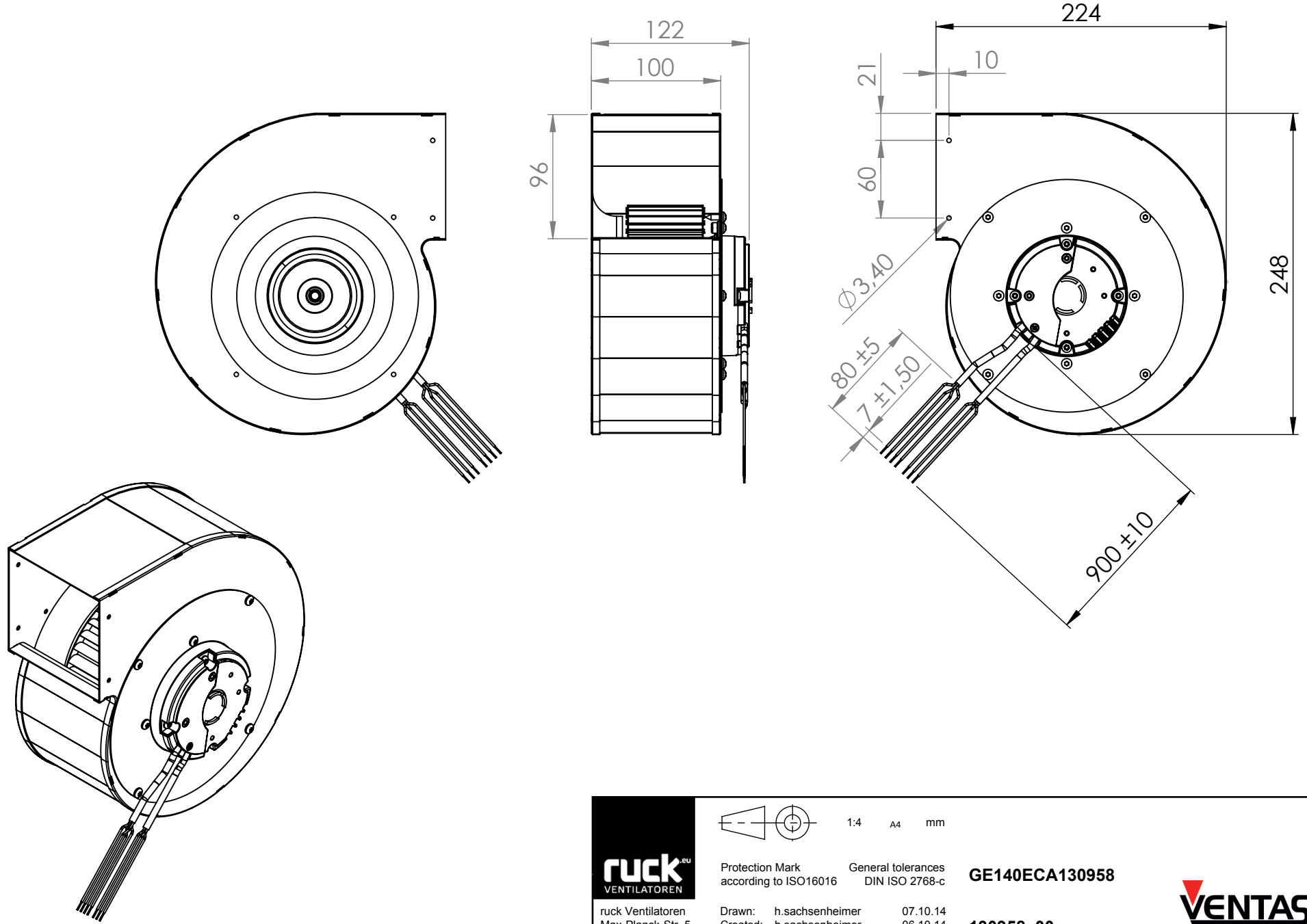
- Forward curved centrifugal fan
- With EC motor
- Integrated electronic
- Speed controllable
- Internal electronic temperature monitoring
- Galvanized metal housing
- Galvanized steel impeller


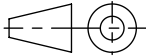

— ErP compliant range

Operating Point		1	2	3	4	5
Current I	A	0,5	0,7	1,0	0,9	0,7
Power consumption P _i	W	55	75	115	103	91
Rotation speed n	1/min	3311	3188	2824	2259	1906
SWL inlet L _{WA5}	dB(A)	73	73	73	71	72
SWL outlet L _{WA6}	dB(A)	74	74	73	71	72
SWL housing break out L _{WA2}	dB(A)	-	-	-	-	-

Sound power (L _w) dB(A)		Medium Frequency Band								
		Σ	63	125	250	500	1k	2k	4k	8k
Inlet	L _{WA5}	72	45	59	62	67	63	66	65	60
Outlet	L _{WA6}	73	46	59	59	64	67	68	64	61
Housing radiation	L _{WA2}	-	-	-	-	-	-	-	-	-

GE 140 ECA 130958 130958	
Voltage U _N	230 V 1~
Current I _{max}	1,1 A
Ambient temperature t _A	60 °C
Conveyed medium temperature t _M	60 °C
Speed Control	0-10V
Motor protection	TEC
Insulation class motor	F
Weight	2,4 kg
Number of poles	-
IP motor	IP54
IP terminal box	-
IP complete unit	IPX4
Min. operating temperature	-30 °C



		1:4	A4	mm	GE140ECA130958 130958 00	
	Protection Mark according to ISO16016	General tolerances according to DIN ISO 2768-c	Drawn: h.sachsenheimer Created: h.sachsenheimer Changed: h.sachsenheimer	07.10.14 06.10.14 07.10.14		

ruck Ventilatoren
 Max-Planck-Str. 5
 D-97944 Boxberg

Drawn: h.sachsenheimer
 Created: h.sachsenheimer
 Changed: h.sachsenheimer

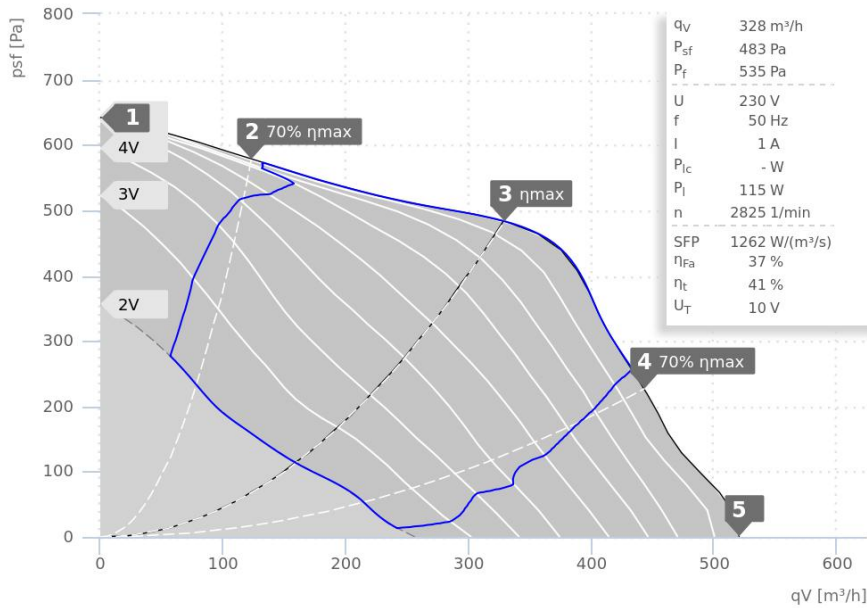
07.10.14
 06.10.14
 07.10.14



DATA SHEET

ruck.eu
VENTILATOREN

GE 140 ECA 130959 | 130959



- Forward curved centrifugal fan
- With EC motor
- Integrated electronic
- Speed controllable
- Internal electronic temperature monitoring
- Galvanized metal housing
- Galvanized steel impeller

— ErP compliant range

Operating Point		1	2	3	4	5
Current I	A	0,5	0,7	1,0	0,9	0,7
Power consumption P_1	W	55	75	115	103	91
Rotation speed n	1/min	3311	3188	2824	2259	1906
SWL inlet L_{WA5}	dB(A)	73	73	73	71	72
SWL outlet L_{WA6}	dB(A)	74	74	73	71	72
SWL housing break out L_{WA2}	dB(A)	-	-	-	-	-

Sound power (L_W) dB(A)		Medium Frequency Band								
		Σ	63	125	250	500	1k	2k	4k	8k
Inlet	L_{WA5}	73	46	59	62	67	63	66	65	60
Outlet	L_{WA6}	73	46	59	59	64	67	68	64	61
Housing radiation	L_{WA2}	-	-	-	-	-	-	-	-	-

GE 140 ECA 130959 130959	
Voltage U_N	230 V 1~
Current I_{max}	1,1 A
Ambient temperature t_A	60 °C
Conveyed medium temperature t_M	60 °C
Speed Control	0-10V
Motor protection	TEC
Insulation class motor	F
Weight	2,4 kg
Number of poles	-
IP motor	IP54
IP terminal box	-
IP complete unit	IPX4
Min. operating temperature	-30 °C

