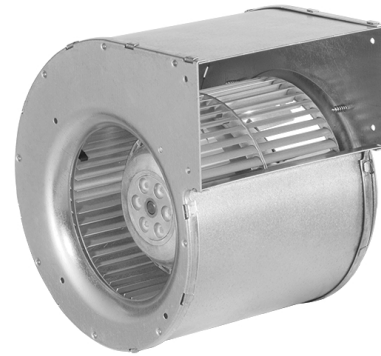
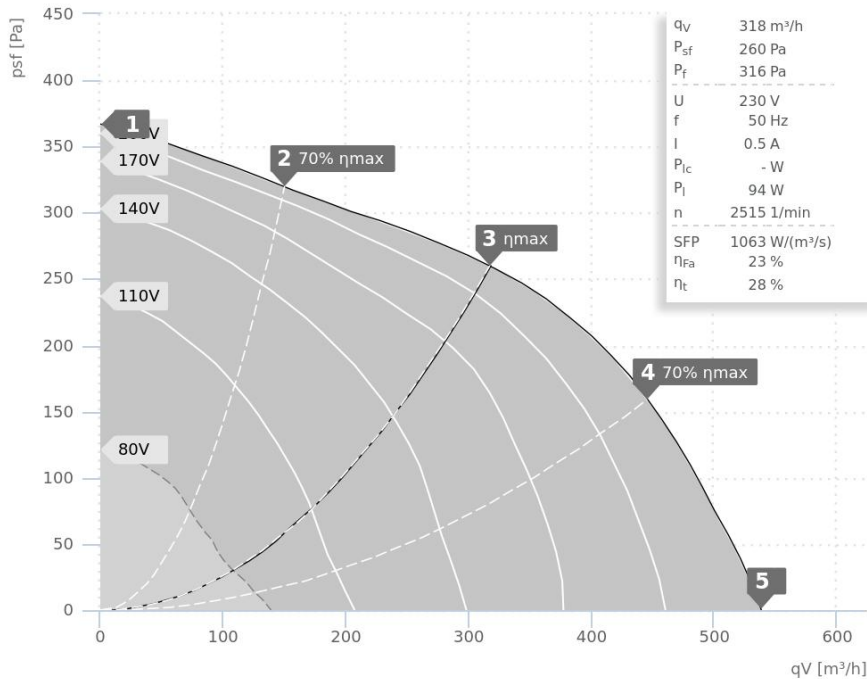


DATA SHEET

GD 120 2A 100178 | 100178

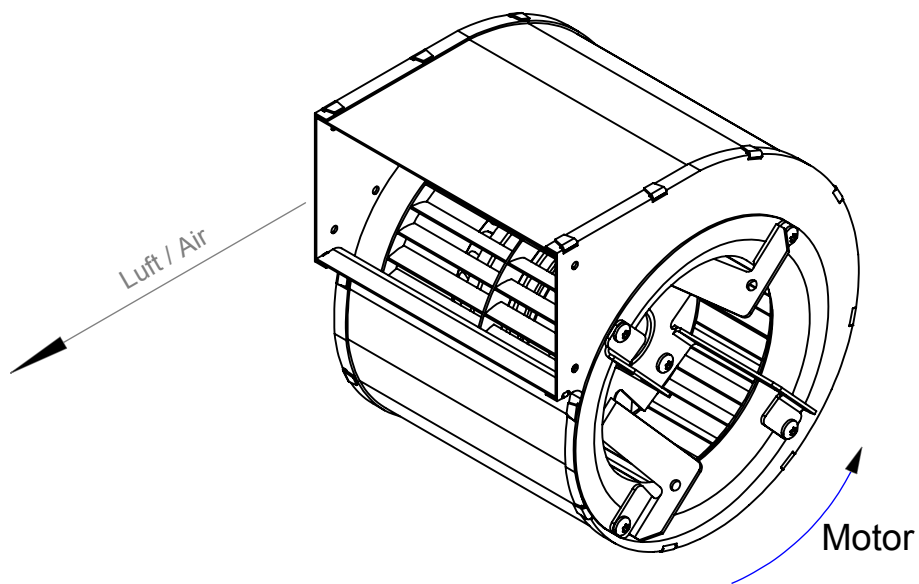
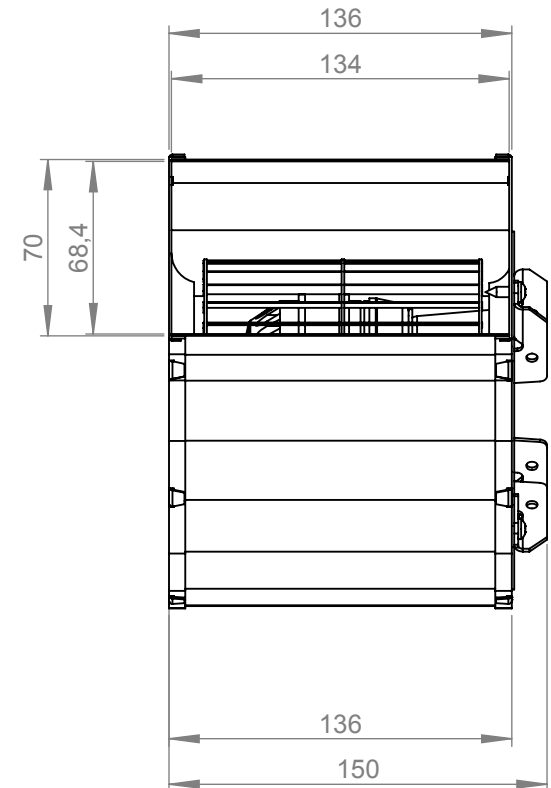
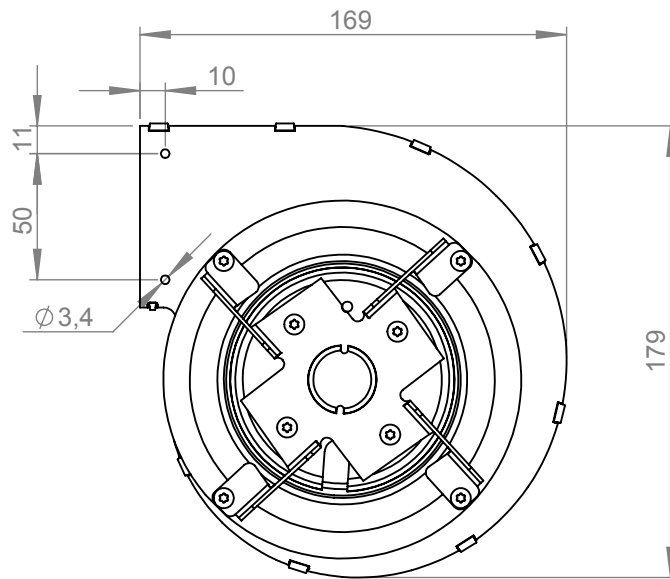


- Forward curved centrifugal fan
- Galvanized metal housing
- Galvanized steel impeller
- Speed controllable
- Integrated thermostatic switch

Operating Point		1	2	3	4	5
Current I	A	0,4	0,4	0,5	0,6	0,6
Power consumption P_1	W	75	79	94	114	139
Rotation speed n	1/min	2767	2705	2516	2232	1812
SWL inlet L_{WA5}	dB(A)	68	67	68	68	70
SWL outlet L_{WA6}	dB(A)	67	67	67	69	70
SWL housing break out L_{WA2}	dB(A)	-	-	-	-	-

Sound power (L_W) dB(A)		Medium Frequency Band								
		Σ	63	125	250	500	1k	2k	4k	8k
Inlet	L_{WA5}	68	35	49	54	59	60	63	61	54
Outlet	L_{WA6}	67	33	46	52	56	62	63	60	54
Housing radiation	L_{WA2}	-	-	-	-	-	-	-	-	-

GD 120 2A 100178 100178	
Voltage U_N	230 V 1~
Current I_{max}	0,7 A
Ambient temperature t_A	50 °C
Conveyed medium temperature t_M	50 °C
Speed Control	V
Motor protection	TAI
Insulation class motor	B
Weight	2,5 kg
Number of poles	2
IP motor	IP33
IP terminal box	-
IP complete unit	IPX3
Min. operating temperature	-25 °C



1:3 A4 mm

ruck^{EU}
VENTILATOREN

ruck Ventilatoren
Max-Planck-Str. 5
D-97944 Boxberg

Protection Mark
according to ISO16016

General tolerances
DIN ISO 2768-c

Drawn: m.deissler
Created: h.sachsenheimer
Changed:

22.05.2017
11.12.2015

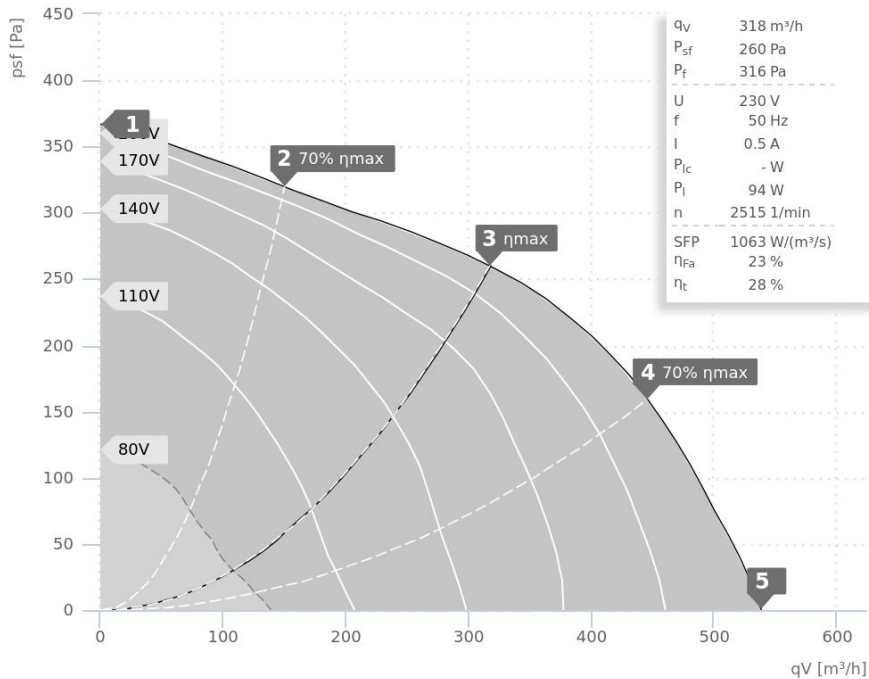
GD1202A100178+

100178 00

VENTAS
VENTILATORER

DATA SHEET

GD 120 2A 100179 | 100179

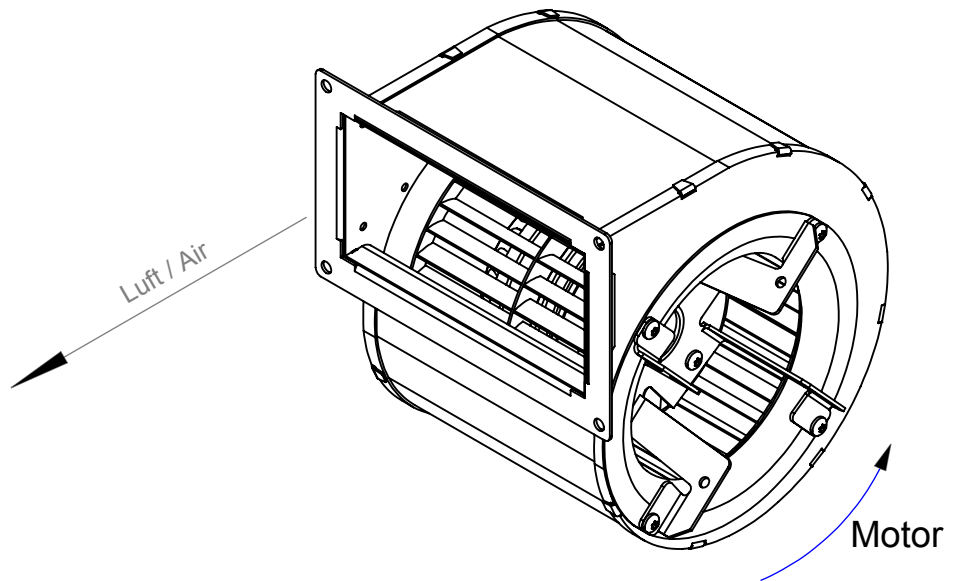
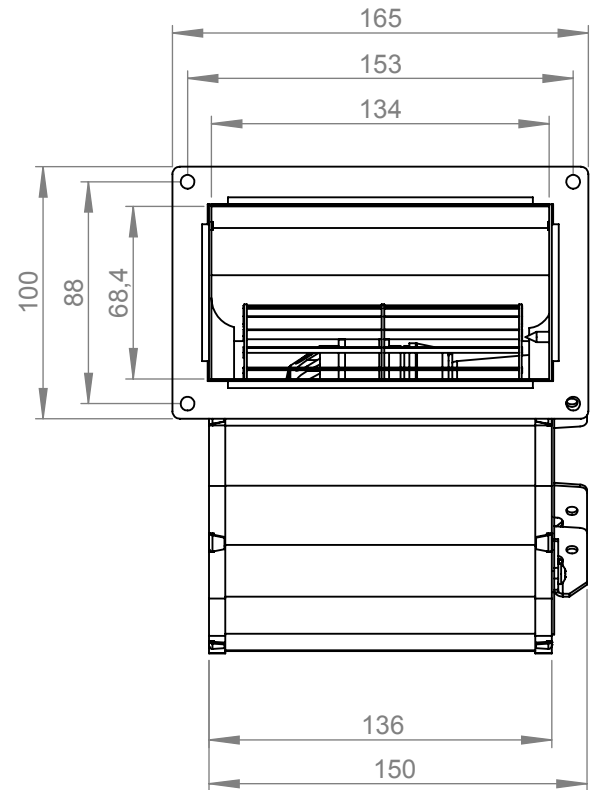
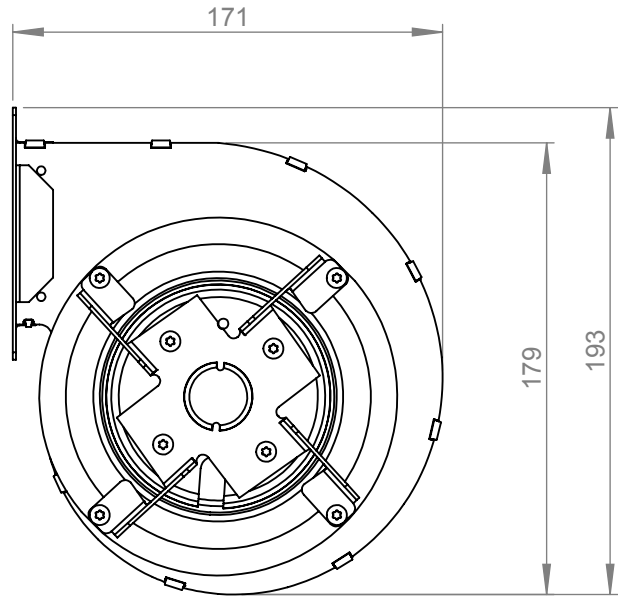


- Forward curved centrifugal fan
- Galvanized metal housing
- Galvanized steel impeller
- Speed controllable
- Integrated thermostatic switch

Operating Point		1	2	3	4	5
Current I	A	0,4	0,4	0,5	0,6	0,6
Power consumption P_1	W	75	79	94	114	139
Rotation speed n	1/min	2767	2705	2516	2232	1812
SWL inlet L_{WA5}	dB(A)	68	67	68	68	70
SWL outlet L_{WA6}	dB(A)	67	67	67	69	70
SWL housing break out L_{WA2}	dB(A)	-	-	-	-	-

Sound power (L_W) dB(A)		Medium Frequency Band								
		Σ	63	125	250	500	1k	2k	4k	8k
Inlet	L_{WA5}	68	35	49	54	59	60	63	61	54
Outlet	L_{WA6}	67	33	46	52	56	62	63	60	54
Housing radiation	L_{WA2}	-	-	-	-	-	-	-	-	-

GD 120 2A 100179 100179	
Voltage U_N	230 V 1~
Current I_{max}	0,7 A
Ambient temperature t_A	50 °C
Conveyed medium temperature t_M	50 °C
Speed Control	V
Motor protection	TAI
Insulation class motor	B
Weight	2,6 kg
Number of poles	2
IP motor	IP33
IP terminal box	-
IP complete unit	IPX3
Min. operating temperature	-25 °C



ruck Ventilatoren
Max-Planck-Str. 5
D-97944 Boxberg



Protection Mark
according to ISO16016

Drawn: m.deissler
Created: m.deissler
Changed: m.deissler

1:3 A4 mm

General tolerances
DIN ISO 2768-c

05.01.2018
05.01.2018
05.01.18

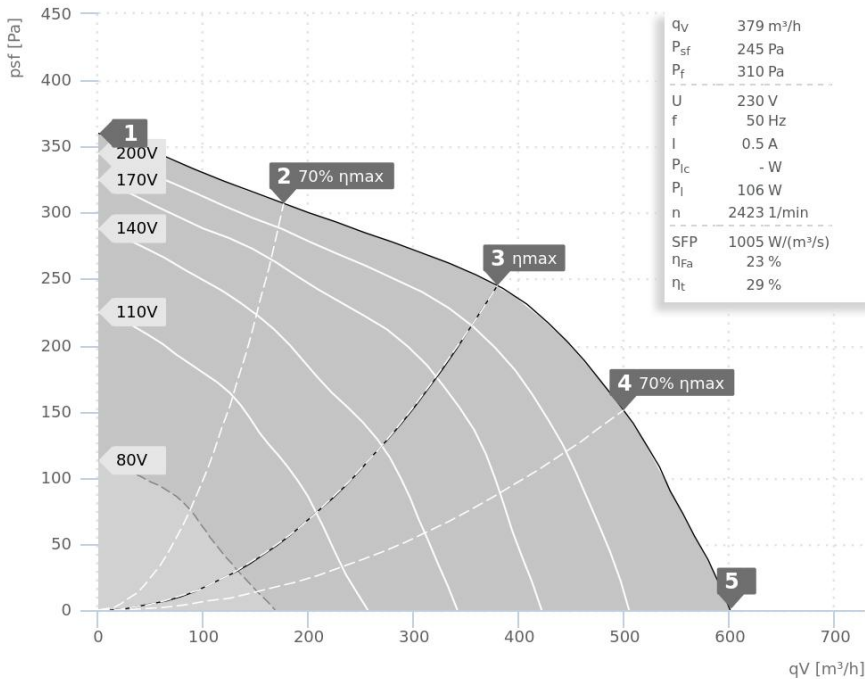
GD1202A100179+

100179 01



DATA SHEET

GD 120 2B 100182 | 100182

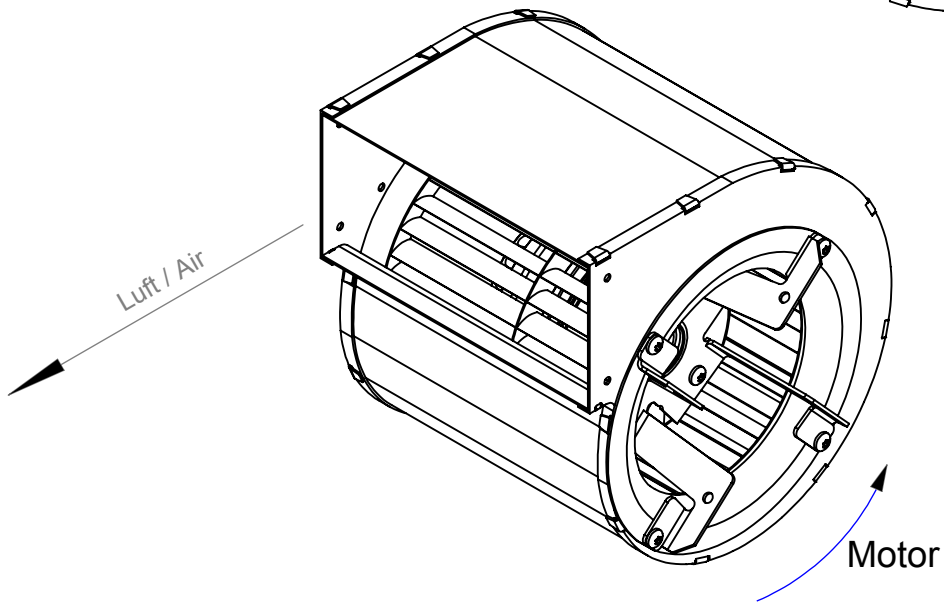
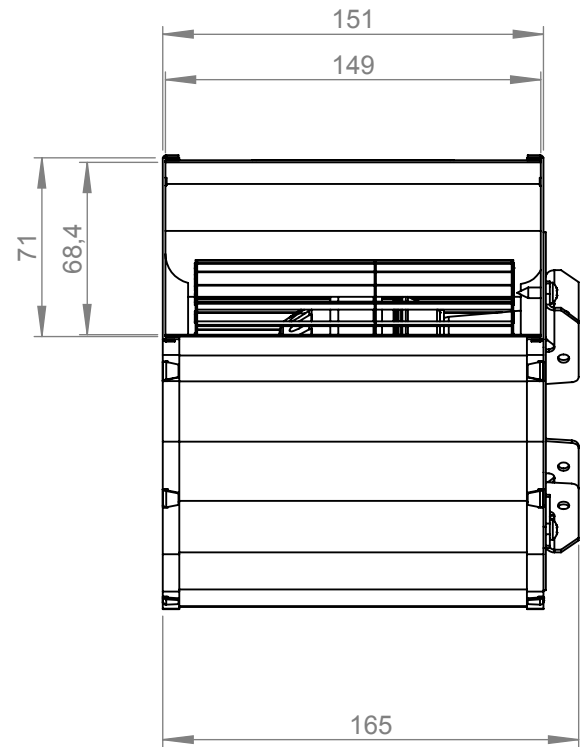
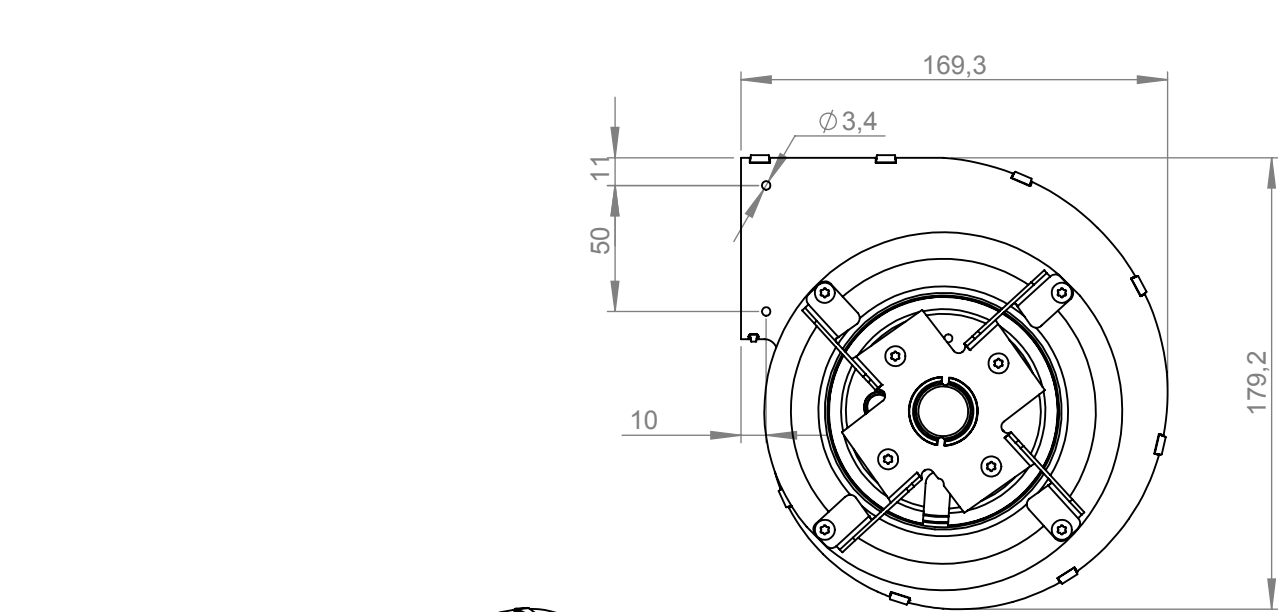


- Forward curved centrifugal fan
- Galvanized metal housing
- Galvanized steel impeller
- Speed controllable
- Integrated thermostatic switch

Operating Point		1	2	3	4	5
Current I	A	0,4	0,4	0,5	0,6	0,6
Power consumption P_1	W	85	89	106	122	140
Rotation speed n	1/min	2730	2662	2423	2137	1693
SWL inlet L_{WA5}	dB(A)	67	67	67	67	69
SWL outlet L_{WA6}	dB(A)	69	68	68	68	69
SWL housing break out L_{WA2}	dB(A)	-	-	-	-	-

Sound power (L_W) dB(A)		Medium Frequency Band								
		Σ	63	125	250	500	1k	2k	4k	8k
Inlet	L_{WA5}	67	34	45	53	59	60	62	60	53
Outlet	L_{WA6}	68	37	47	53	57	61	65	59	53
Housing radiation	L_{WA2}	-	-	-	-	-	-	-	-	-

GD 120 2B 100182 100182	
Voltage U_N	230 V 1~
Current I_{max}	0,7 A
Ambient temperature t_A	45 °C
Conveyed medium temperature t_M	45 °C
Speed Control	V
Motor protection	TAI
Insulation class motor	B
Weight	1,7 kg
Number of poles	2
IP motor	IP33
IP terminal box	-
IP complete unit	IPX3
Min. operating temperature	-25 °C



ruck Ventilatoren
Max-Planck-Str. 5
D-97944 Boxberg



1:3 A4 mm

Protection Mark
according to ISO16016

General tolerances
DIN ISO 2768-c

GD1202B100182+

Drawn: m.deissler
Created: m.deissler
Changed:

24.05.2017
24.05.2017

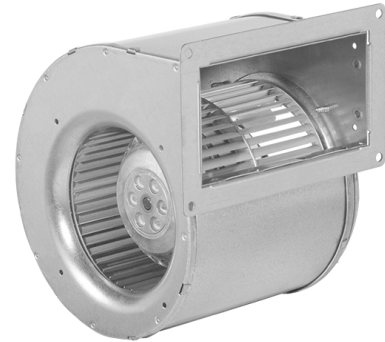
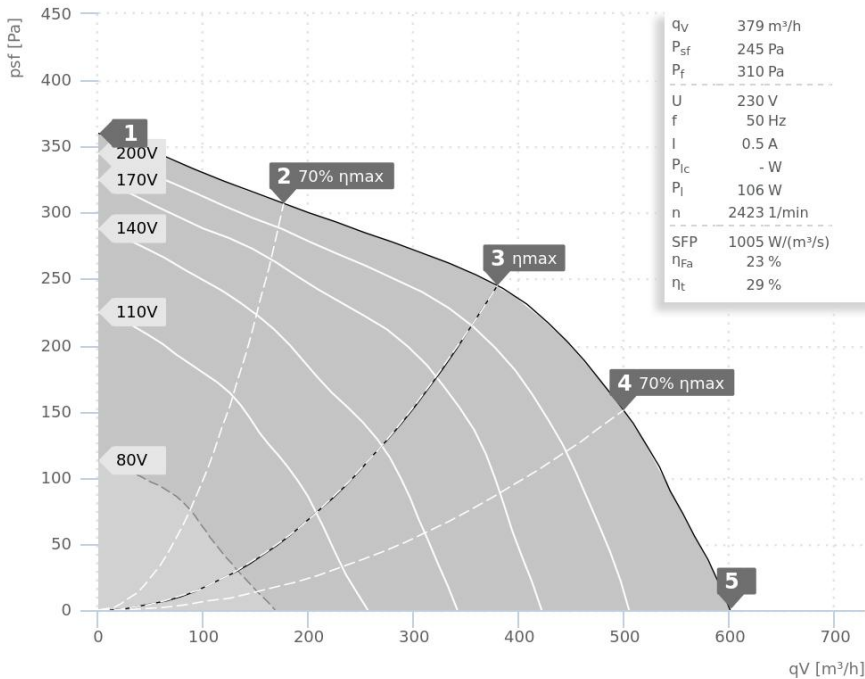
100182 00



DATA SHEET

ruck.eu
VENTILATOREN

GD 120 2B 100183 | 100183

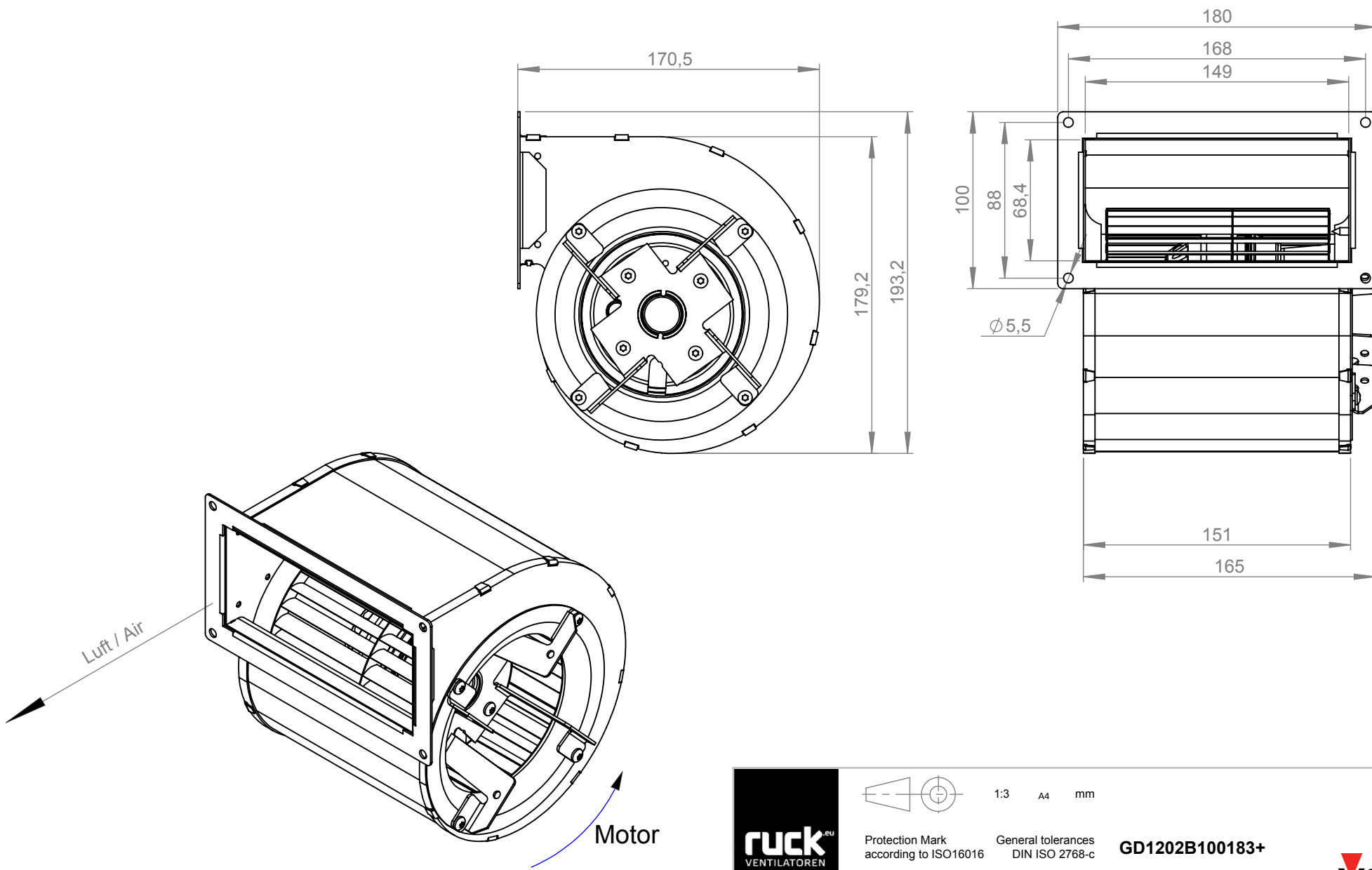


- Forward curved centrifugal fan
- Galvanized metal housing
- Galvanized steel impeller
- Speed controllable
- Integrated thermostatic switch

Operating Point		1	2	3	4	5
Current I	A	0,4	0,4	0,5	0,6	0,6
Power consumption P_1	W	85	89	106	122	140
Rotation speed n	1/min	2730	2662	2423	2137	1693
SWL inlet L_{WA5}	dB(A)	67	67	67	67	69
SWL outlet L_{WA6}	dB(A)	69	68	68	68	69
SWL housing break out L_{WA2}	dB(A)	-	-	-	-	-

Sound power (L_W) dB(A)		Medium Frequency Band								
		Σ	63	125	250	500	1k	2k	4k	8k
Inlet	L_{WA5}	67	34	45	53	59	60	62	60	53
Outlet	L_{WA6}	68	37	47	53	57	61	65	59	53
Housing radiation	L_{WA2}	-	-	-	-	-	-	-	-	-

GD 120 2B 100183 100183	
Voltage U_N	230 V 1~
Current I_{max}	0,7 A
Ambient temperature t_A	45 °C
Conveyed medium temperature t_M	45 °C
Speed Control	V
Motor protection	TAI
Insulation class motor	B
Weight	0,0 kg
Number of poles	2
IP motor	IP33
IP terminal box	-
IP complete unit	IPX3
Min. operating temperature	-25 °C



ruck Ventilatoren
 Max-Planck-Str. 5
 D-97944 Boxberg



1:3 A4 mm

Protection Mark
 according to ISO16016

General tolerances
 DIN ISO 2768-c

GD1202B100183+

Drawn: m.deissler
 Created: m.deissler
 Changed:

24.05.2017
 24.05.2017

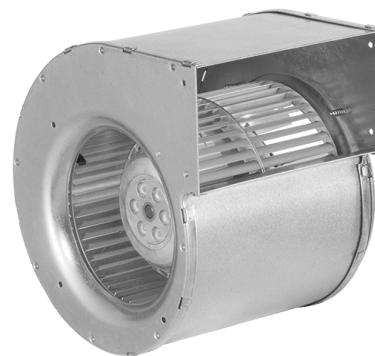
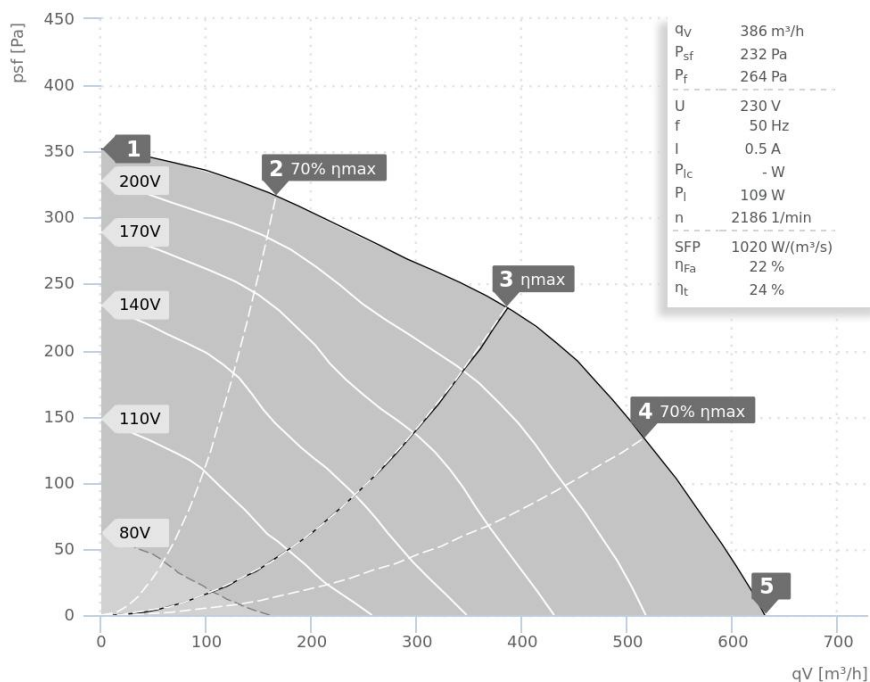
100183 00



DATA SHEET

ruck.eu
VENTILATOREN

GD 133 2A 100184 | 100184

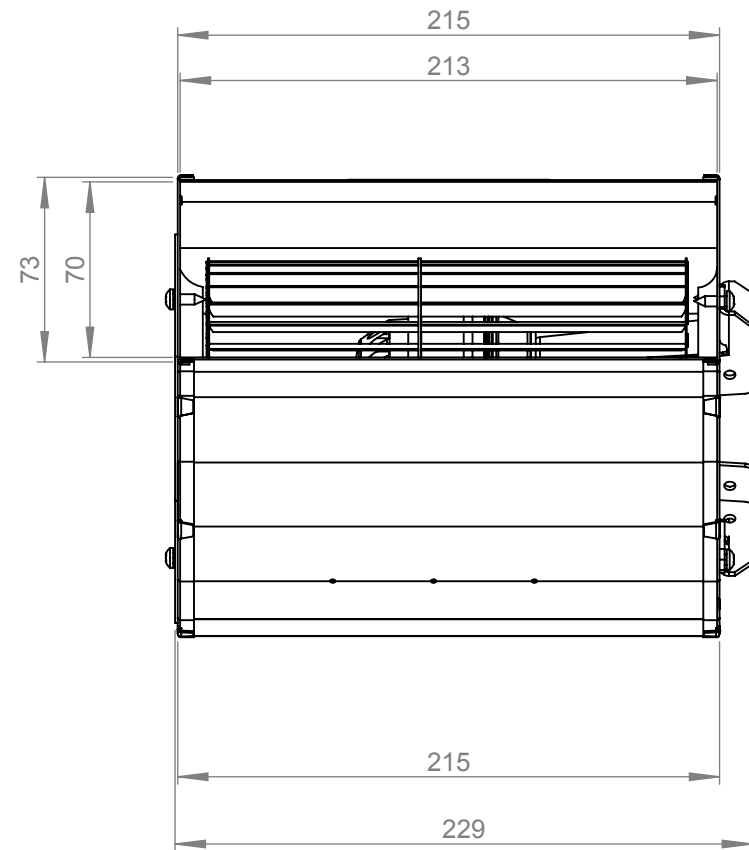
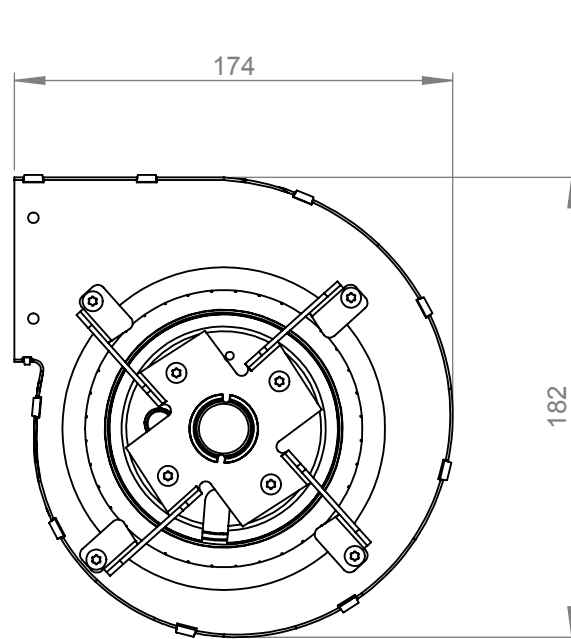


- Forward curved centrifugal fan
- Galvanized metal housing
- Galvanized steel impeller
- Speed controllable
- Integrated thermostatic switch

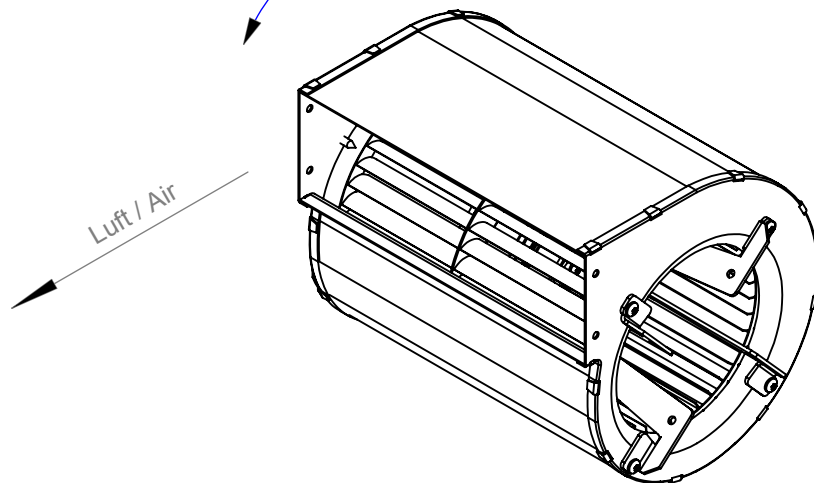
Operating Point		1	2	3	4	5
Current I	A	0,5	0,5	0,5	0,6	0,6
Power consumption P_i	W	87	92	109	121	134
Rotation speed n	1/min	2625	2525	2189	1775	1217
SWL inlet L_{WA5}	dB(A)	68	67	67	65	63
SWL outlet L_{WA6}	dB(A)	69	69	70	66	64
SWL housing break out L_{WA2}	dB(A)	-	-	-	-	-

Sound power (L_W) dB(A)		Medium Frequency Band								
		Σ	63	125	250	500	1k	2k	4k	8k
Inlet	L_{WA5}	67	38	47	54	60	63	59	56	48
Outlet	L_{WA6}	70	48	51	54	60	68	62	58	50
Housing radiation	L_{WA2}	-	-	-	-	-	-	-	-	-

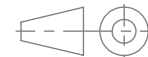
GD 133 2A 100184 100184	
Voltage U_N	230 V 1~
Current I_{max}	0,7 A
Ambient temperature t_A	55 °C
Conveyed medium temperature t_M	55 °C
Speed Control	V
Motor protection	TAI
Insulation class motor	B
Weight	3,3 kg
Number of poles	2
IP motor	IP33
IP terminal box	-
IP complete unit	IPX3
Min. operating temperature	-25 °C



Motor



ruck
VENTILATOREN
ruck Ventilatoren
Max-Planck-Str. 5
D-97944 Boxberg



Protection Mark
according to ISO16016
Created m.deissler
Drawn m.deissler
Released m.deissler
Disabled

1:4 A4 mm

General tolerances
DIN ISO 2768-c

23.05.2017
23.05.2017
11.10.2018

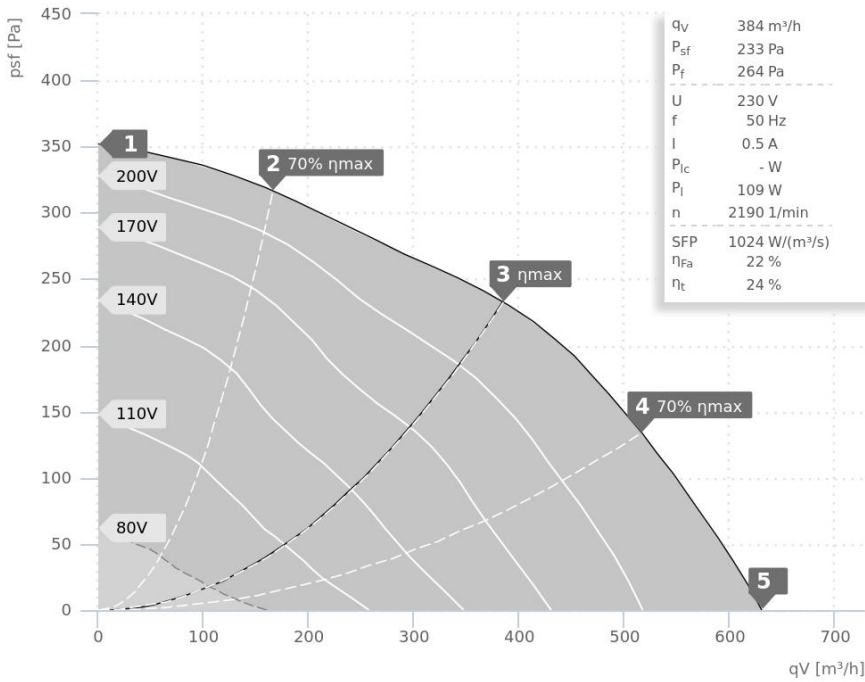
GD1332A100184+

100184 00

VENTAS
VENTILATOREN

DATA SHEET

GD 133 2A 100185 | 100185

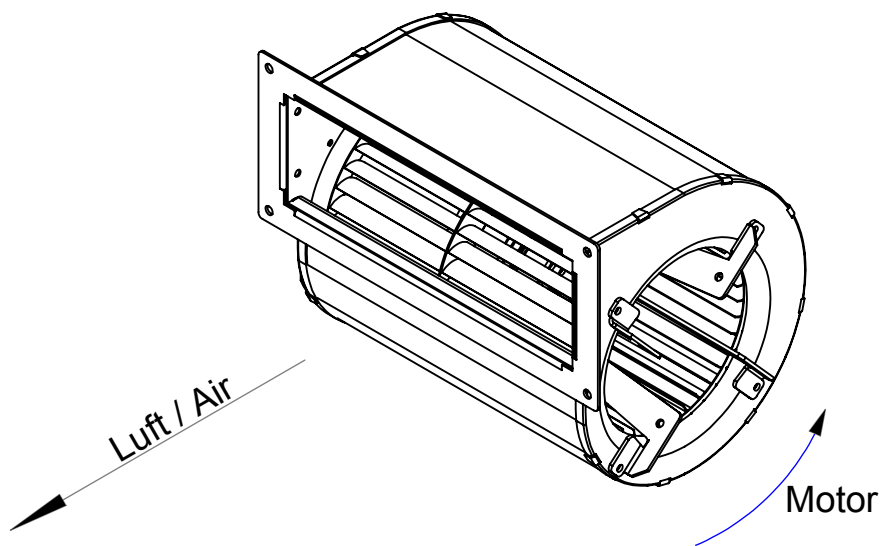
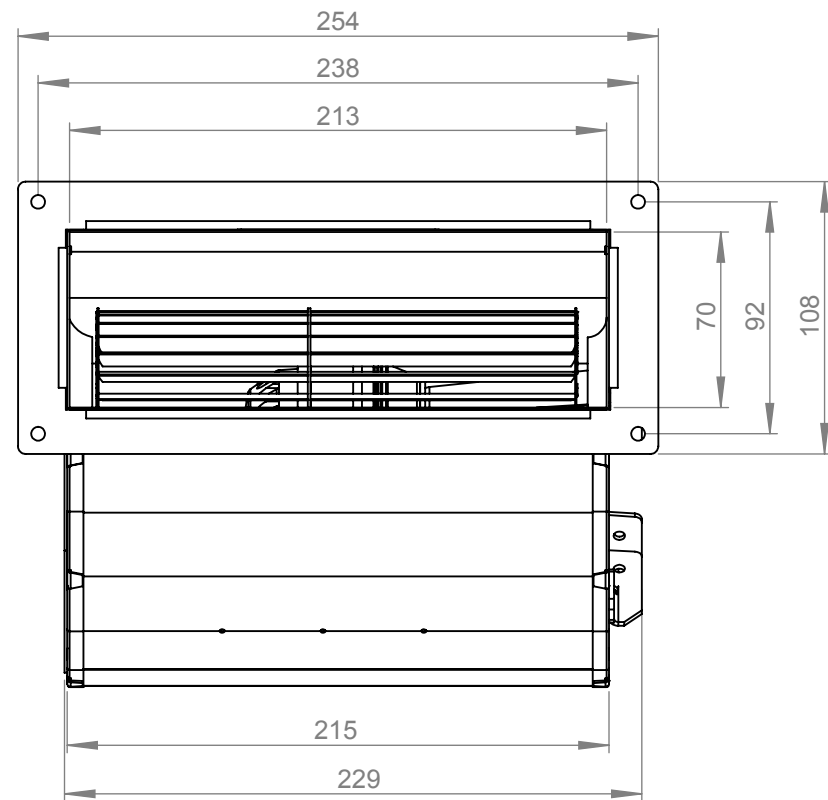
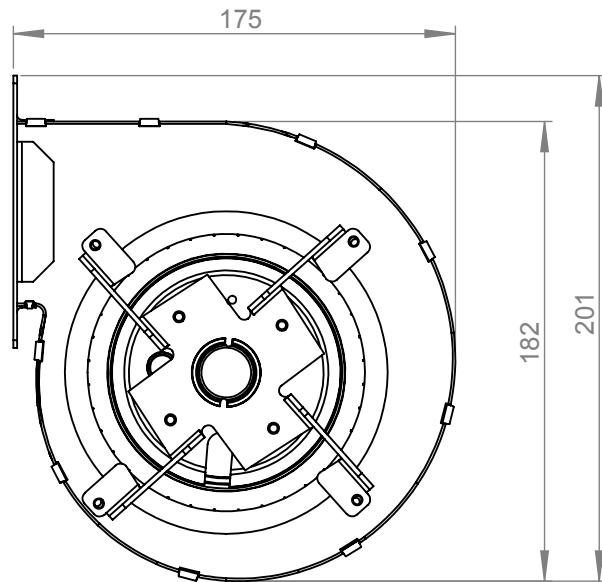


- Forward curved centrifugal fan
- Galvanized metal housing
- Galvanized steel impeller
- Speed controllable
- Integrated thermostatic switch

Operating Point		1	2	3	4	5
Current I	A	0,5	0,5	0,5	0,6	0,6
Power consumption P _i	W	87	92	109	121	134
Rotation speed n	1/min	2625	2525	2189	1775	1217
SWL inlet L _{WA5}	dB(A)	68	67	67	65	63
SWL outlet L _{WA6}	dB(A)	69	69	70	66	64
SWL housing break out L _{WA2}	dB(A)	-	-	-	-	-

Sound power (L _W) dB(A)		Medium Frequency Band								
		Σ	63	125	250	500	1k	2k	4k	8k
Inlet	L _{WA5}	67	38	47	54	60	63	59	56	48
Outlet	L _{WA6}	70	48	51	54	60	68	62	58	50
Housing radiation	L _{WA2}	-	-	-	-	-	-	-	-	-

GD 133 2A 100185 100185	
Voltage U _N	230 V 1~
Current I _{max}	0,7 A
Ambient temperature t _A	55 °C
Conveyed medium temperature t _M	55 °C
Speed Control	V
Motor protection	TAI
Insulation class motor	B
Weight	3,4 kg
Number of poles	2
IP motor	IP33
IP terminal box	-
IP complete unit	IPX3
Min. operating temperature	-25 °C



ruck^{eu}
VENTILATOREN
ruck Ventilatoren
Max-Planck-Str. 5
D-97944 Boxberg



Protection Mark
according to ISO 16016
Created m.deissler
Drawn m.deissler
Released m.deissler
Disabled

1:4 A4 mm

General tolerances
DIN ISO 2768-c

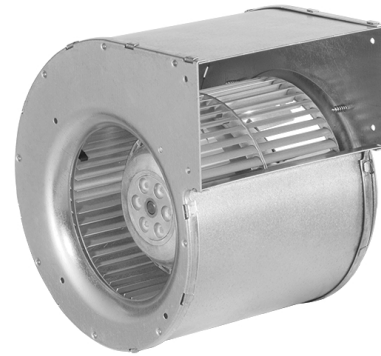
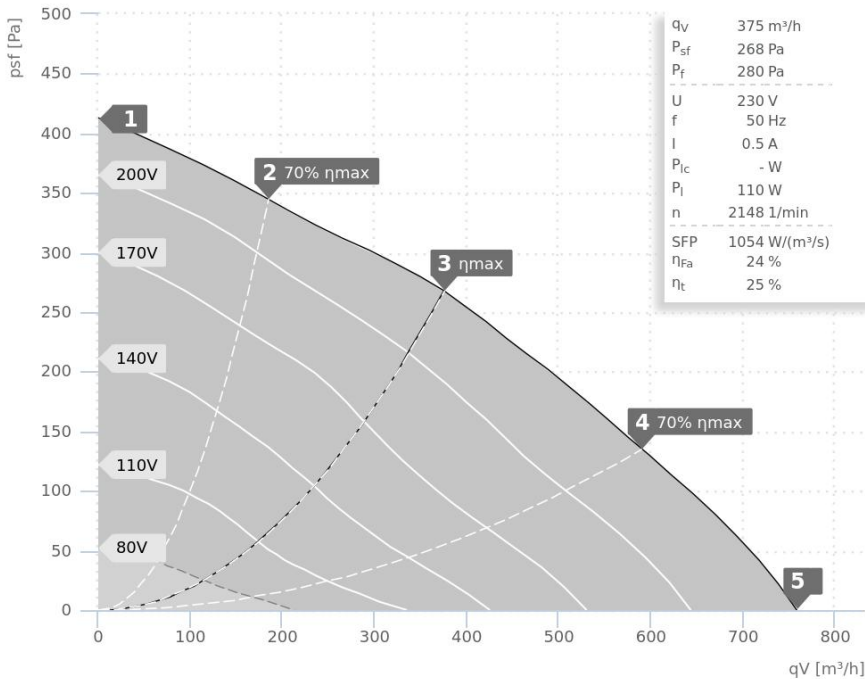
GD1332A100185+

100185 02

VENTAS
VENTILATOREN

DATA SHEET

GD 133 2B 108056 | 108056

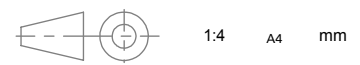
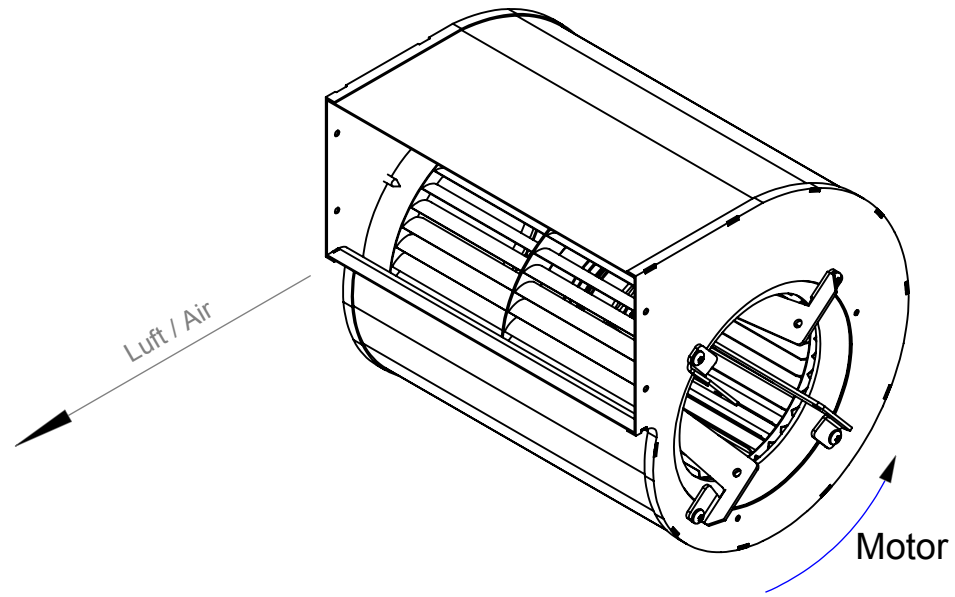
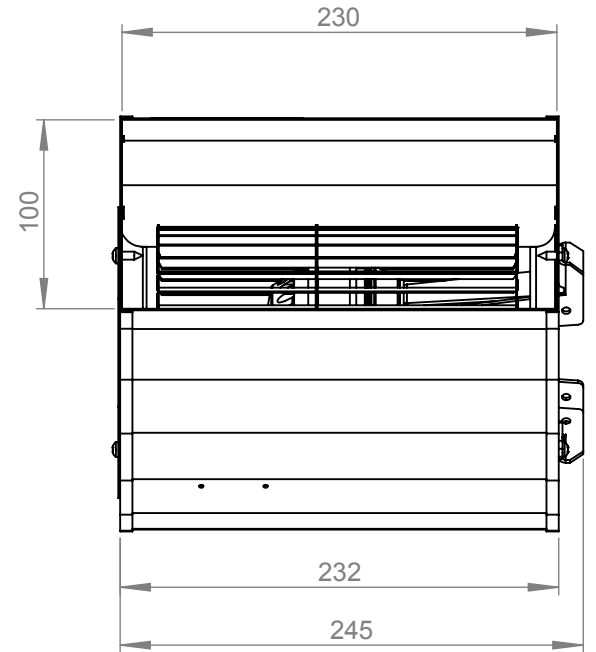
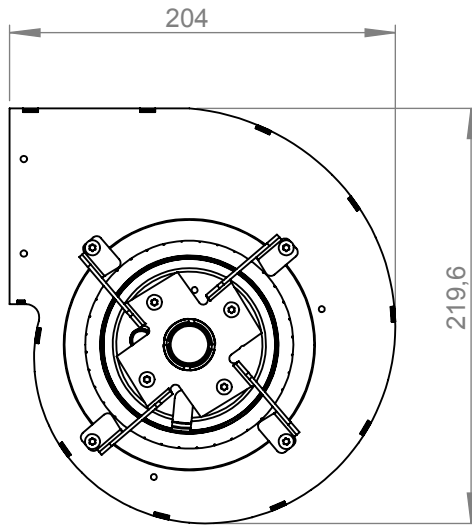


- Forward curved centrifugal fan
- Galvanized metal housing
- Galvanized steel impeller
- Speed controllable
- Integrated thermostatic switch

Operating Point		1	2	3	4	5
Current I	A	0,5	0,5	0,5	0,6	0,6
Power consumption P_i	W	97	101	110	125	136
Rotation speed n	1/min	2450	2391	2148	1592	991
SWL inlet L_{WA5}	dB(A)	-	-	-	-	-
SWL outlet L_{WA6}	dB(A)	-	-	-	-	-
SWL housing break out L_{WA2}	dB(A)	-	-	-	-	-

Sound power (L_W) dB(A)		Medium Frequency Band								
		Σ	63	125	250	500	1k	2k	4k	8k
Inlet	L_{WA5}	-	-	-	-	-	-	-	-	-
Outlet	L_{WA6}	-	-	-	-	-	-	-	-	-
Housing radiation	L_{WA2}	-	-	-	-	-	-	-	-	-

GD 133 2B 108056 108056	
Voltage U_N	230 V 1~
Current I_{max}	0,6 A
Ambient temperature t_A	50 °C
Conveyed medium temperature t_M	50 °C
Speed Control	V
Motor protection	TAI
Insulation class motor	B
Weight	0,0 kg
Number of poles	2
IP motor	IP33
IP terminal box	-
IP complete unit	IPX3
Min. operating temperature	-25 °C



ruck Ventilatoren
 Max-Planck-Str. 5
 D-97944 Boxberg

Protection Mark
 according to ISO16016

Drawn: m.deissler
 Created: m.deissler
 Changed:

General tolerances
 DIN ISO 2768-c

23.05.2017
 23.05.2017

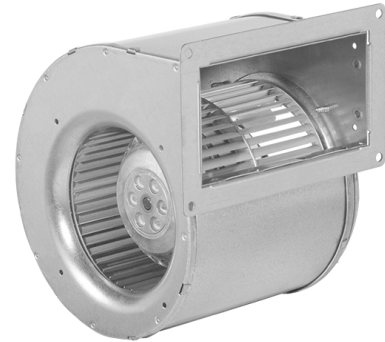
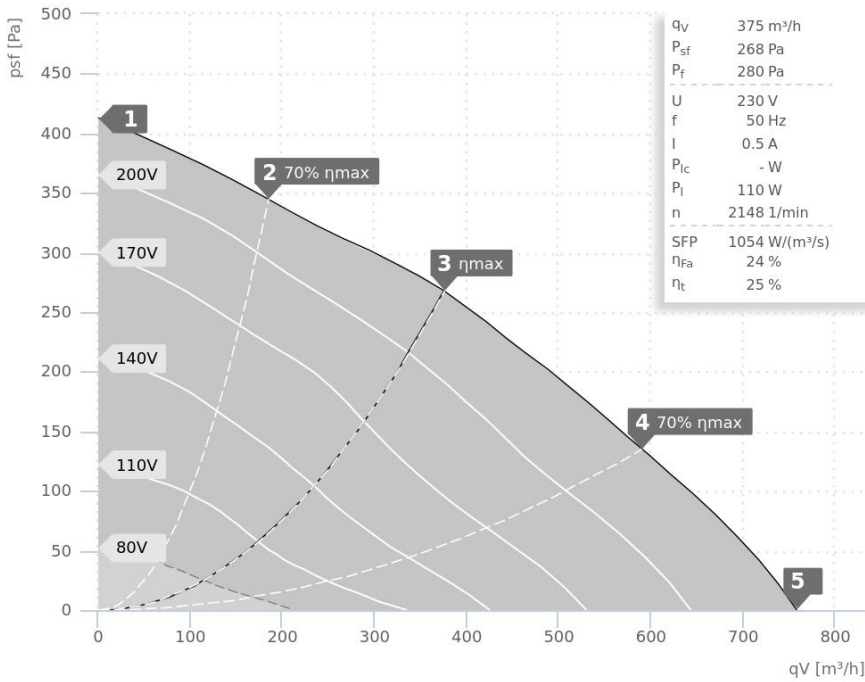
GD1332B108056

108056 00



DATA SHEET

GD 133 2B 108057 | 108057

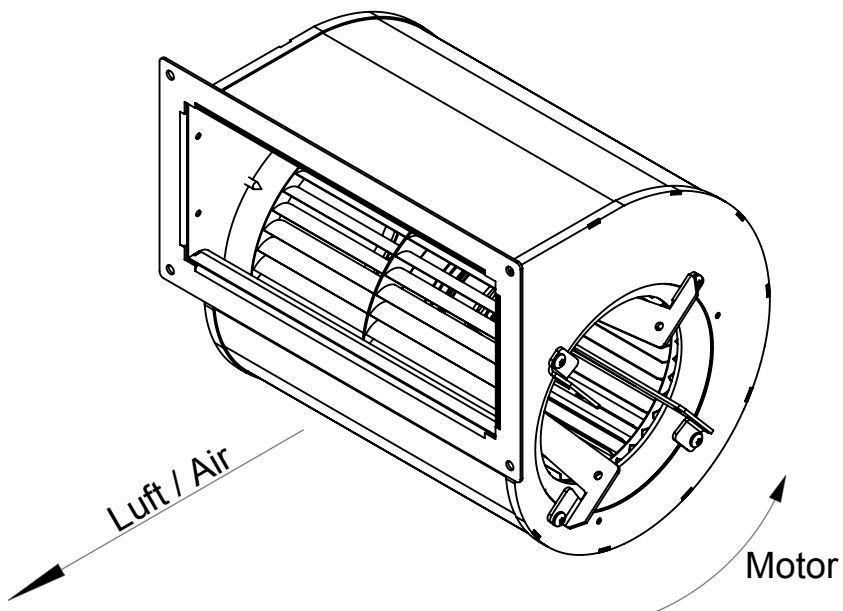
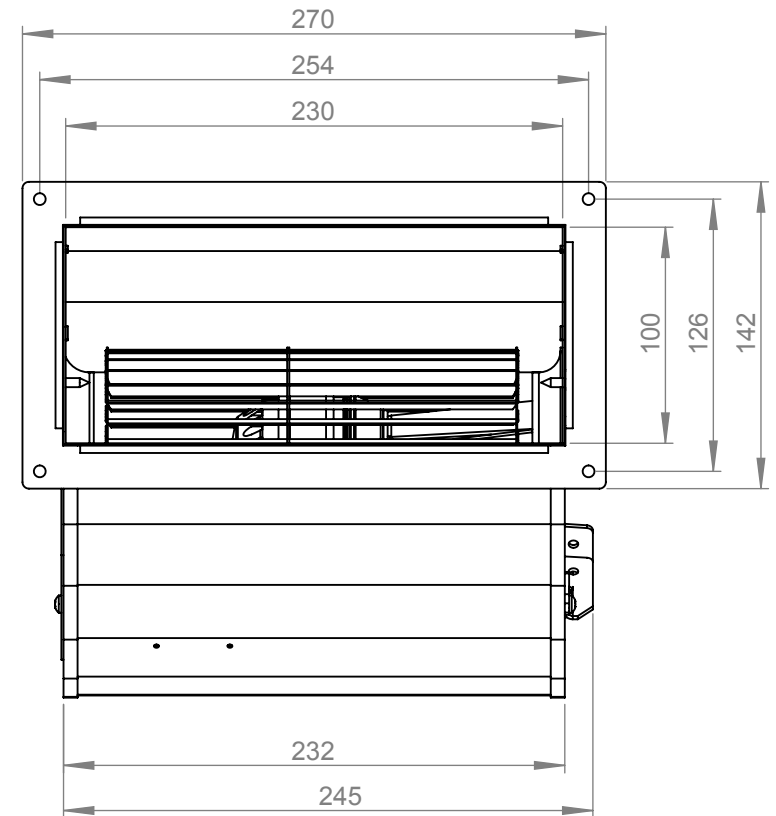
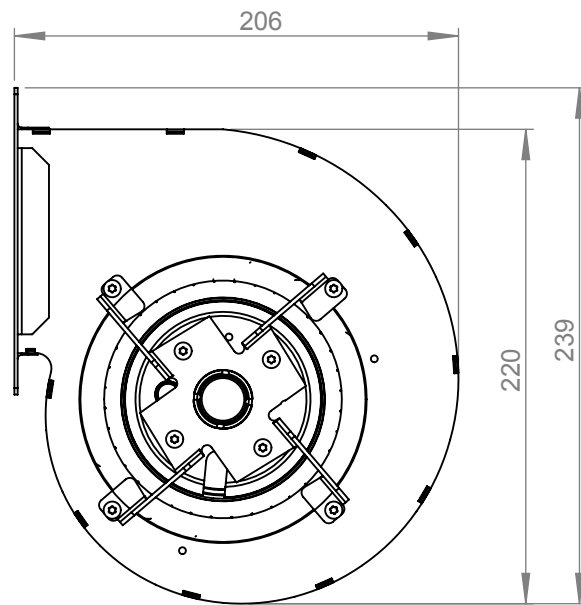


- Forward curved centrifugal fan
- Galvanized metal housing
- Galvanized steel impeller
- Speed controllable
- Integrated thermostatic switch

Operating Point		1	2	3	4	5
Current I	A	0,5	0,5	0,5	0,6	0,6
Power consumption P_i	W	97	101	110	125	136
Rotation speed n	1/min	2450	2391	2148	1592	991
SWL inlet L_{WA5}	dB(A)	-	-	-	-	-
SWL outlet L_{WA6}	dB(A)	-	-	-	-	-
SWL housing break out L_{WA2}	dB(A)	-	-	-	-	-

Sound power (L_W) dB(A)		Medium Frequency Band								
		Σ	63	125	250	500	1k	2k	4k	8k
Inlet	L_{WA5}	-	-	-	-	-	-	-	-	-
Outlet	L_{WA6}	-	-	-	-	-	-	-	-	-
Housing radiation	L_{WA2}	-	-	-	-	-	-	-	-	-

GD 133 2B 108057 108057	
Voltage U_N	230 V 1~
Current I_{max}	0,6 A
Ambient temperature t_A	50 °C
Conveyed medium temperature t_M	50 °C
Speed Control	V
Motor protection	TAI
Insulation class motor	B
Weight	0,0 kg
Number of poles	2
IP motor	IP33
IP terminal box	-
IP complete unit	IPX3
Min. operating temperature	-25 °C



ruck Ventilatoren
Max-Planck-Str. 5
D-97944 Boxberg



1:4 A4 mm

Protection Mark
according to ISO16016

General tolerances
DIN ISO 2768-c

GD1332B108057

Drawn: v.brand
Created: sy
Changed: d.andree

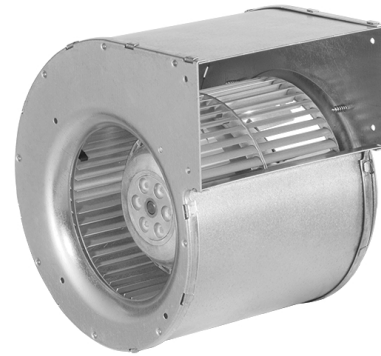
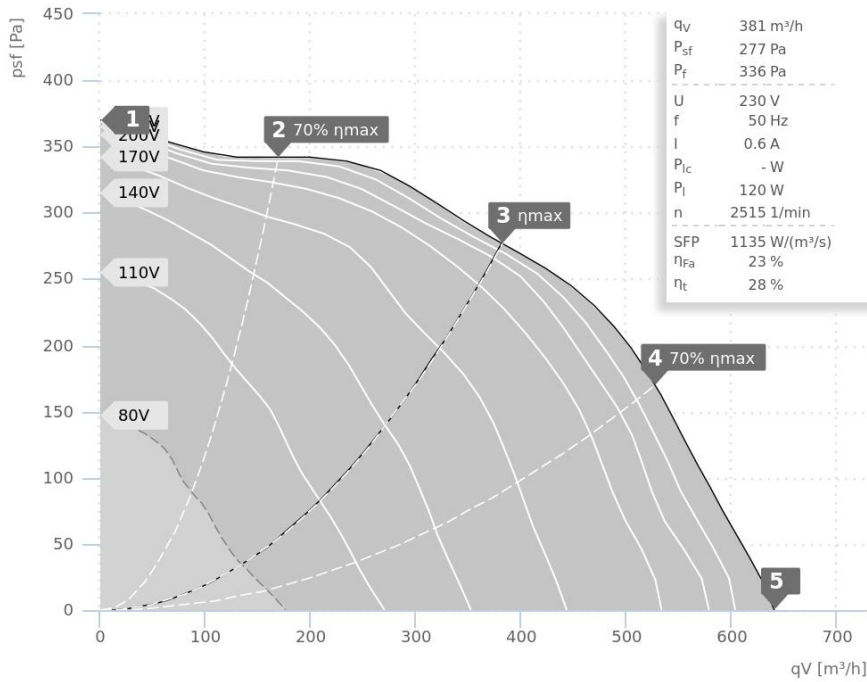
24.11.15
26.06.06
14.03.18

108057 01



DATA SHEET

GD 133 2K 100222 | 100222

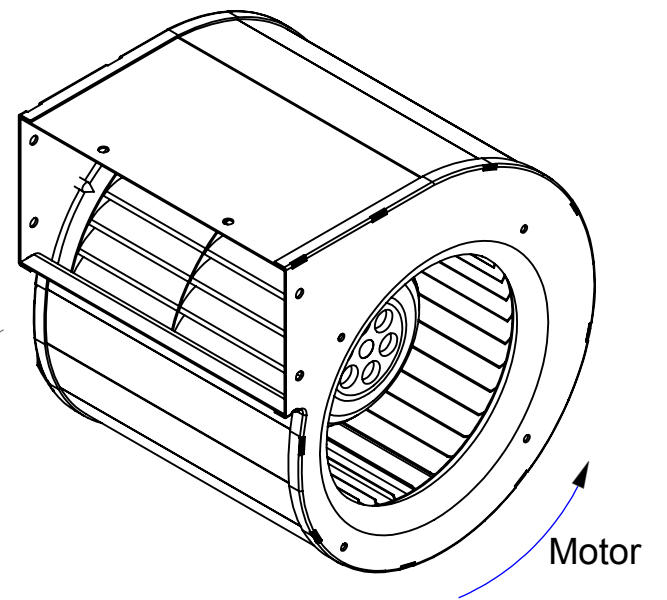
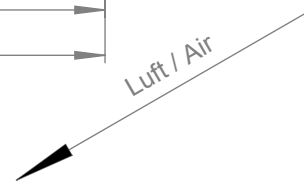
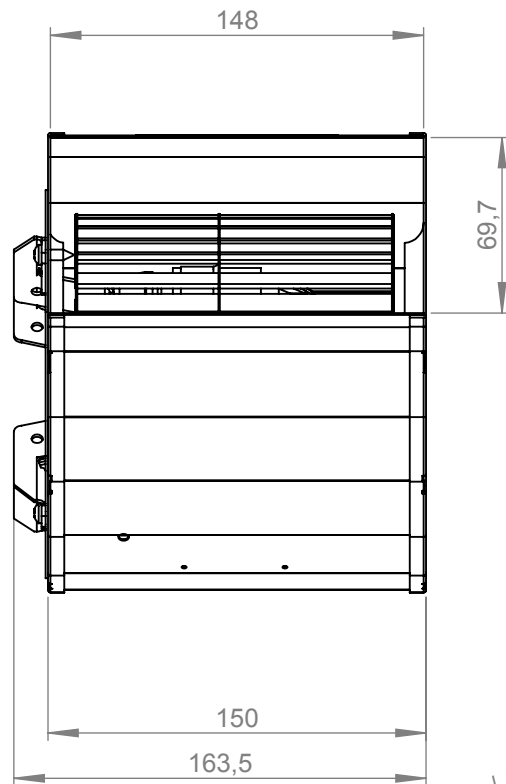
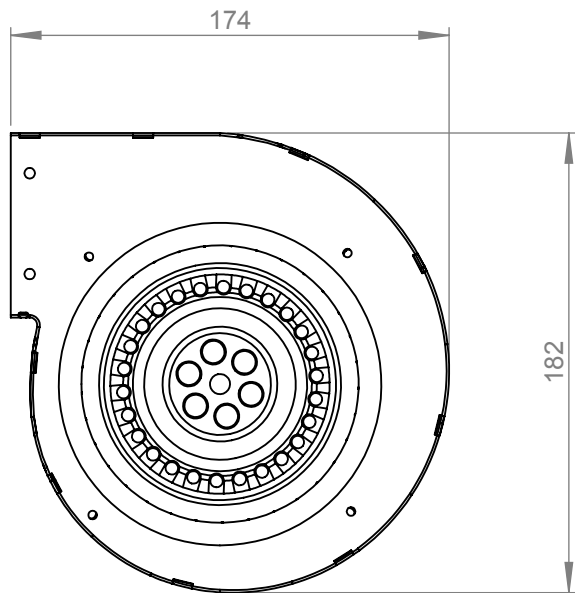


- Forward curved centrifugal fan
- Galvanized metal housing
- Galvanized steel impeller
- Speed controllable
- Integrated thermostatic switch

Operating Point		1	2	3	4	5
Current I	A	0,4	0,5	0,6	0,7	0,7
Power consumption P ₁	W	89	96	120	144	167
Rotation speed n	1/min	2802	2741	2515	2222	1796
SWL inlet L _{WA5}	dB(A)	-	-	-	-	-
SWL outlet L _{WA6}	dB(A)	-	-	-	-	-
SWL housing break out L _{WA2}	dB(A)	-	-	-	-	-

Sound power (L _W) dB(A)		Medium Frequency Band								
		Σ	63	125	250	500	1k	2k	4k	8k
Inlet	L _{WA5}	-	-	-	-	-	-	-	-	-
Outlet	L _{WA6}	-	-	-	-	-	-	-	-	-
Housing radiation	L _{WA2}	-	-	-	-	-	-	-	-	-

GD 133 2K 100222 100222	
Voltage U _N	230 V 1~
Current I _{max}	0,8 A
Ambient temperature t _A	70 °C
Conveyed medium temperature t _M	70 °C
Speed Control	V
Motor protection	TAI
Insulation class motor	B
Weight	3,2 kg
Number of poles	2
IP motor	IP33
IP terminal box	-
IP complete unit	IPX3
Min. operating temperature	-25 °C



1:2 A4 mm

ruck^{EU}
VENTILATOREN

ruck Ventilatoren
Max-Planck-Str. 5
D-97944 Boxberg

Protection Mark
according to ISO16016

Drawn: m.deissler
Created: m.deissler
Changed: m.deissler

General tolerances
DIN ISO 2768-c

26.01.2015
26.01.2015
26.01.15

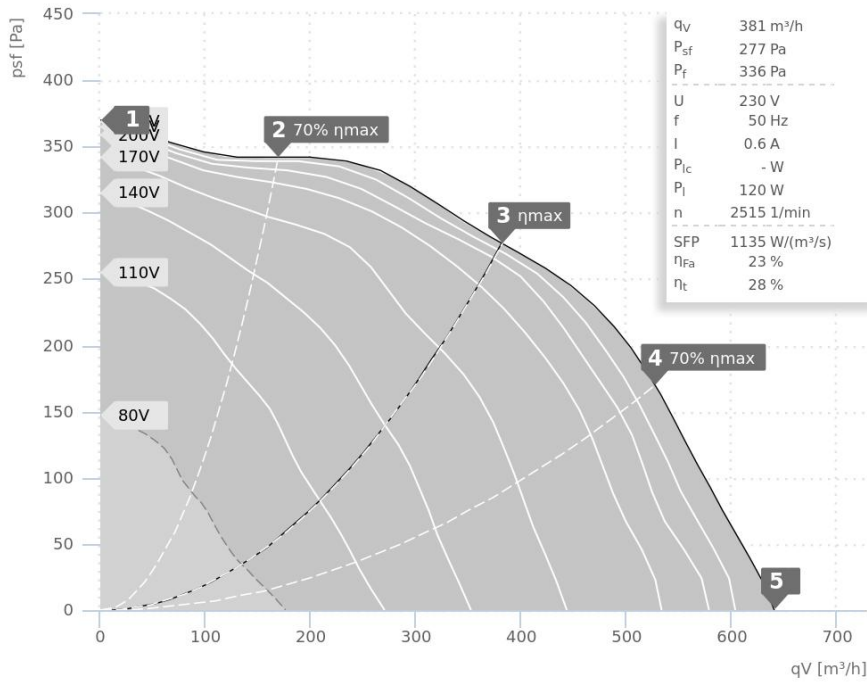
GD1332K100222+

100222 00

VENTAS
VENTILATOREN

DATA SHEET

GD 133 2K 100223 | 100223

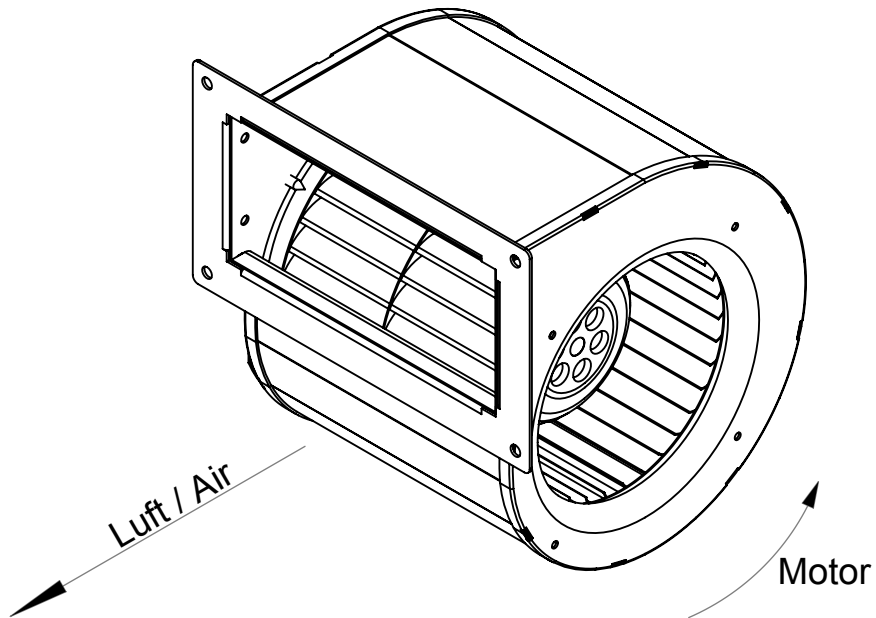
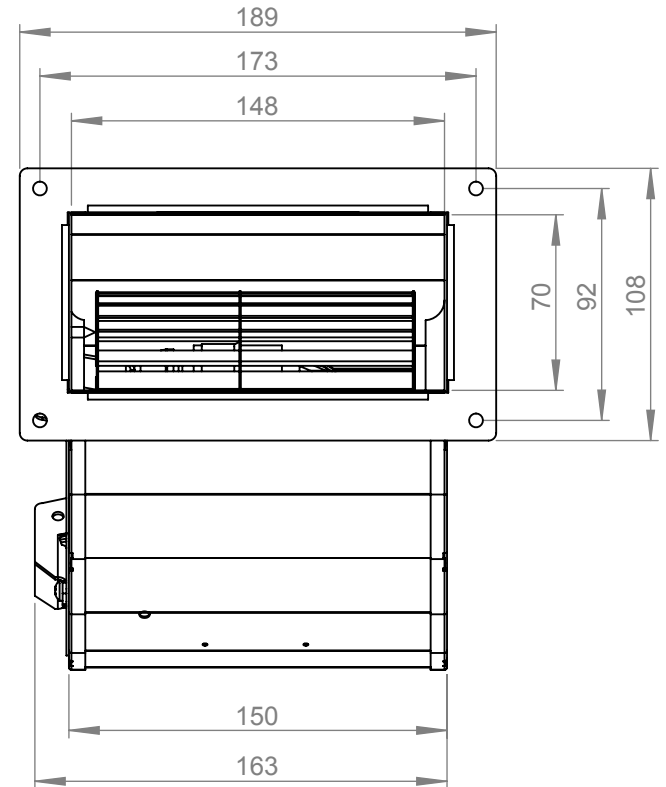
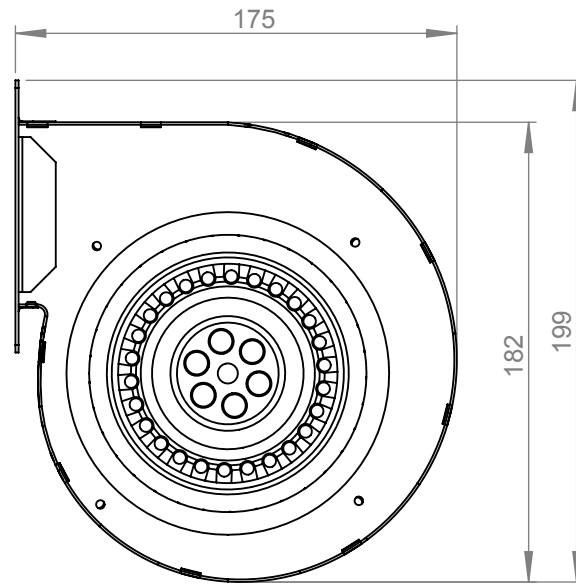


- Forward curved centrifugal fan
- Galvanized metal housing
- Galvanized steel impeller
- Speed controllable
- Integrated thermostatic switch

Operating Point		1	2	3	4	5
Current I	A	0,4	0,5	0,6	0,7	0,7
Power consumption P_1	W	89	96	120	144	167
Rotation speed n	1/min	2802	2741	2515	2222	1796
SWL inlet L_{WA5}	dB(A)	-	-	-	-	-
SWL outlet L_{WA6}	dB(A)	-	-	-	-	-
SWL housing break out L_{WA2}	dB(A)	-	-	-	-	-

Sound power (L_W) dB(A)		Medium Frequency Band								
		Σ	63	125	250	500	1k	2k	4k	8k
Inlet	L_{WA5}	-	-	-	-	-	-	-	-	-
Outlet	L_{WA6}	-	-	-	-	-	-	-	-	-
Housing radiation	L_{WA2}	-	-	-	-	-	-	-	-	-

GD 133 2K 100223 100223	
Voltage U_N	230 V 1~
Current I_{max}	0,8 A
Ambient temperature t_A	70 °C
Conveyed medium temperature t_M	70 °C
Speed Control	V
Motor protection	TAI
Insulation class motor	B
Weight	3,3 kg
Number of poles	2
IP motor	IP33
IP terminal box	-
IP complete unit	IPX3
Min. operating temperature	-25 °C



ruck Ventilatoren
Max-Planck-Str. 5
D-97944 Boxberg



Protection Mark
according to ISO16016

Drawn: m.deissler
Created: sy
Changed: d.andree

1:2 A4 mm

General tolerances
DIN ISO 2768-c

GD1332K100223+

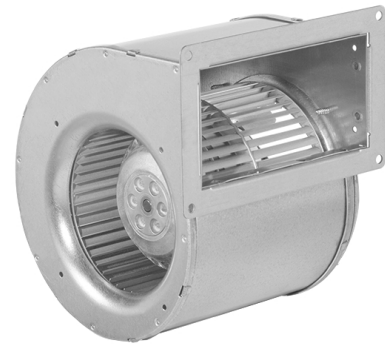
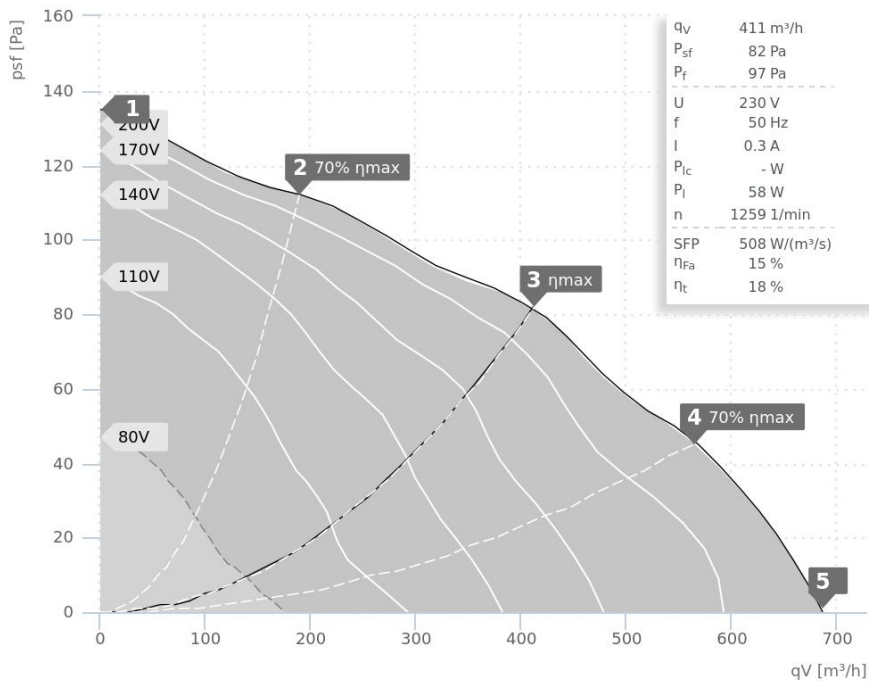
100223 02



DATA SHEET

GD 133 4A 111038 | 111038

ruck.eu
VENTILATOREN

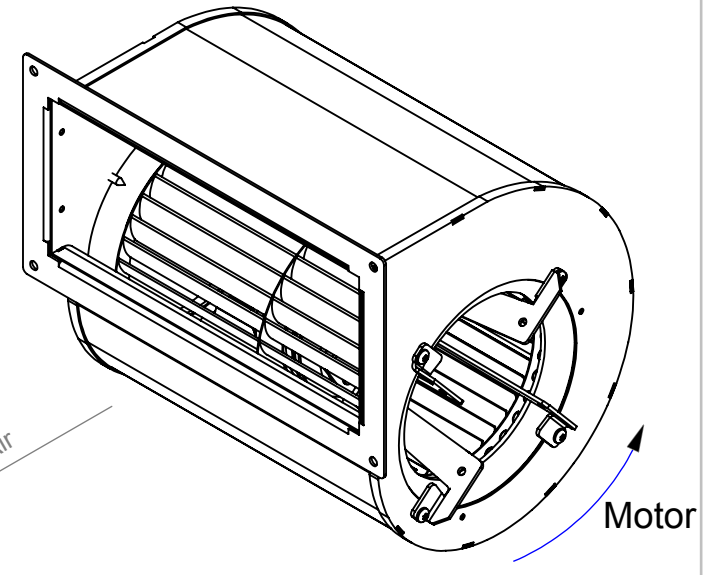
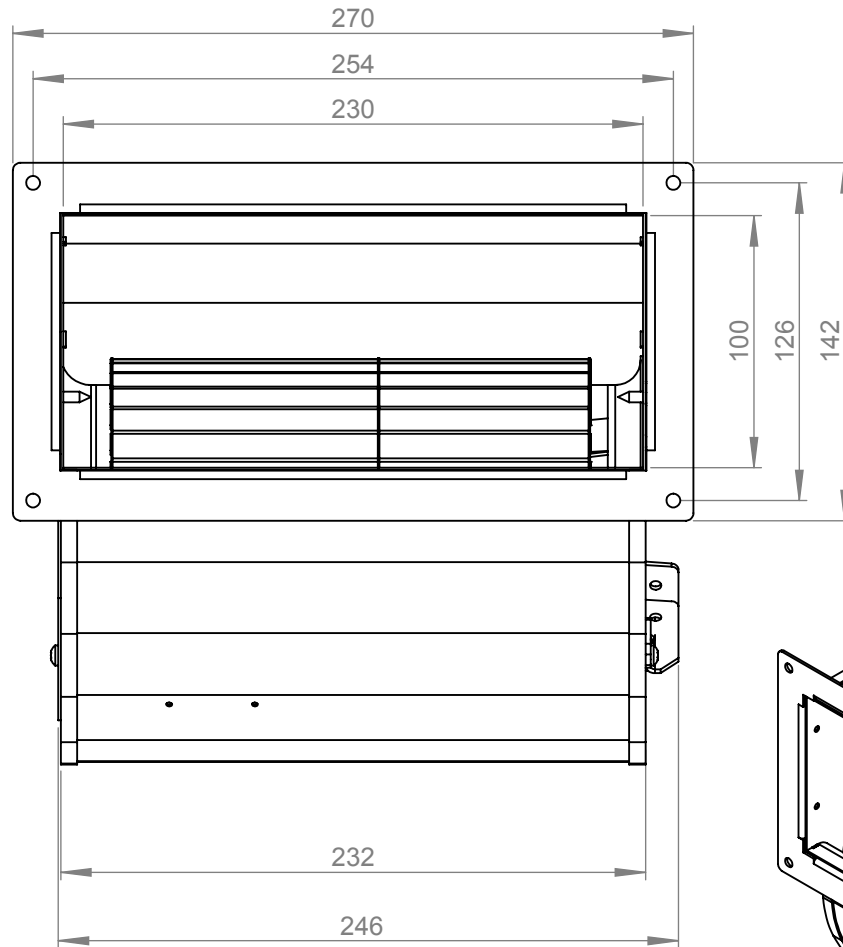
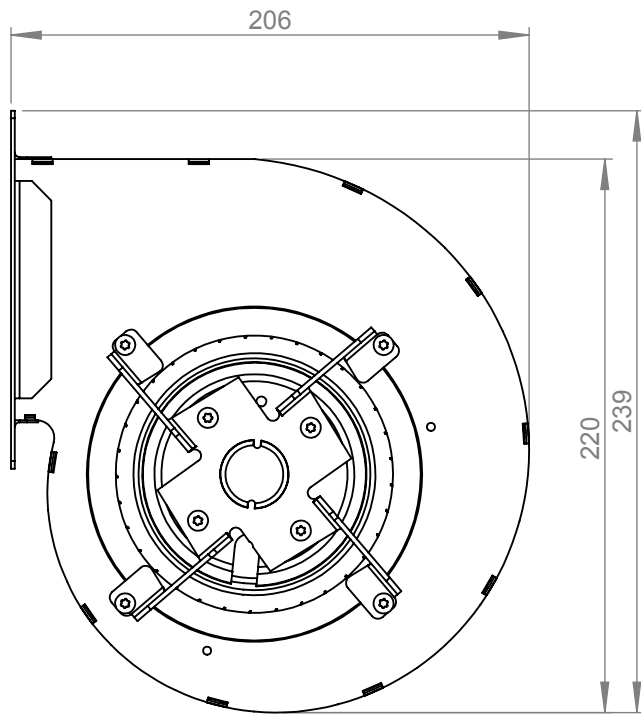


- Forward curved centrifugal fan
- Galvanized metal housing
- Galvanized steel impeller
- Speed controllable
- Integrated thermostatic switch

Operating Point		1	2	3	4	5
Current I	A	0,3	0,3	0,3	0,3	0,4
Power consumption P _i	W	53	53	58	62	69
Rotation speed n	1/min	1405	1374	1259	1123	904
SWL inlet L _{WA5}	dB(A)	59	58	57	57	59
SWL outlet L _{WA6}	dB(A)	57	57	56	58	60
SWL housing break out L _{WA2}	dB(A)	-	-	-	-	-

Sound power (L _W) dB(A)		Medium Frequency Band								
		Σ	63	125	250	500	1k	2k	4k	8k
Inlet	L _{WA5}	57	33	43	47	52	53	47	40	29
Outlet	L _{WA6}	56	34	42	43	49	53	49	43	33
Housing radiation	L _{WA2}	-	-	-	-	-	-	-	-	-

GD 133 4A 111038 111038	
Voltage U _N	230 V 1~
Current I _{max}	0,4 A
Ambient temperature t _A	40 °C
Conveyed medium temperature t _M	40 °C
Speed Control	V
Motor protection	TAI
Insulation class motor	B
Weight	3,3 kg
Number of poles	4
IP motor	IP33
IP terminal box	-
IP complete unit	IPX3
Min. operating temperature	-25 °C



1:3 A4 mm



ruck Ventilatoren
Max-Planck-Str. 5
D-97944 Boxberg

Protection Mark
according to ISO16016

Drawn: m.deissler
Created: m.deissler
Changed: m.deissler

General tolerances
DIN ISO 2768-c

05.01.2018
05.01.2018
05.01.18

GD1334A111038+

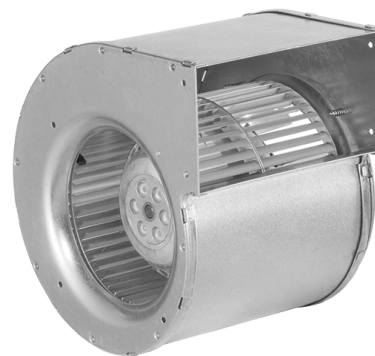
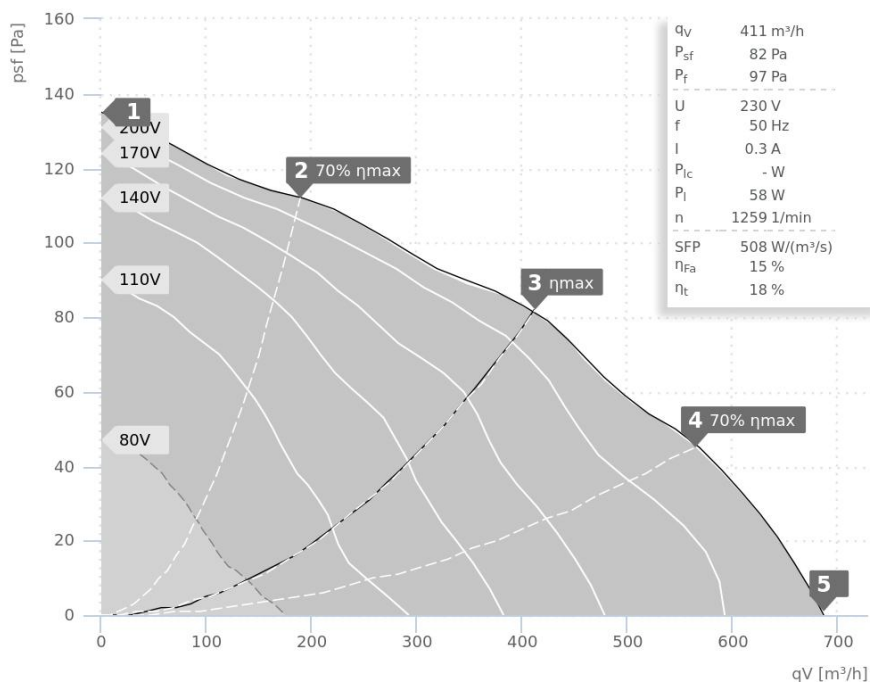
111038 02



DATA SHEET

ruck.eu
VENTILATOREN

GD 133 4A 116219 | 116219

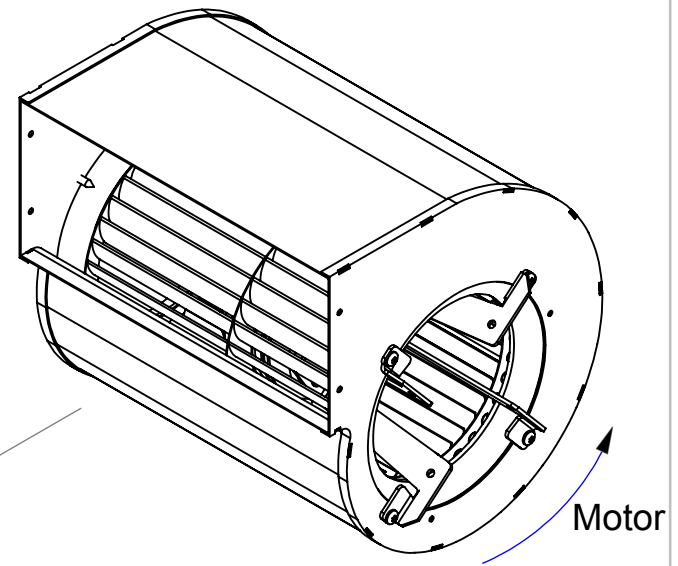
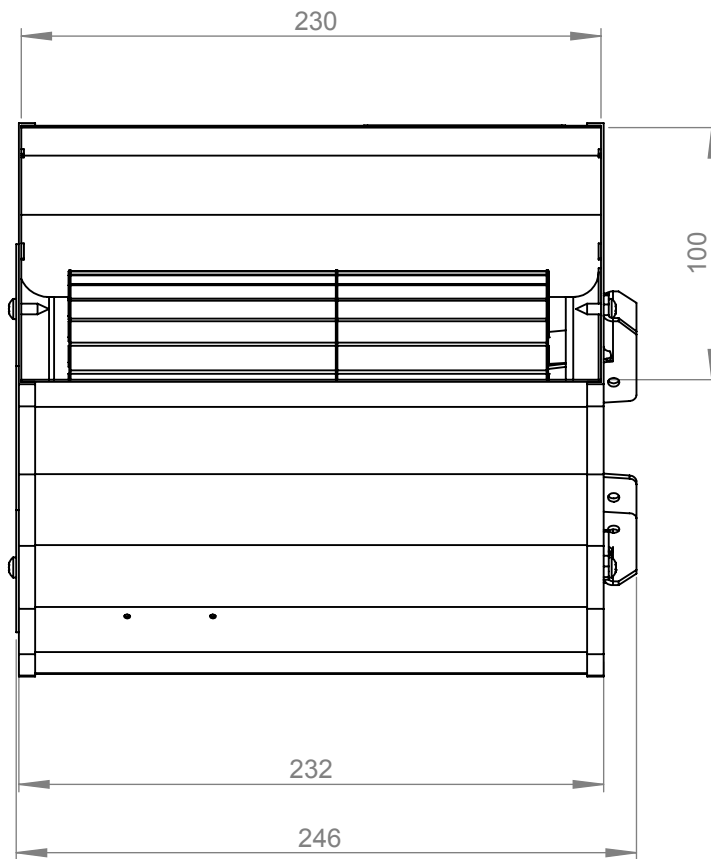
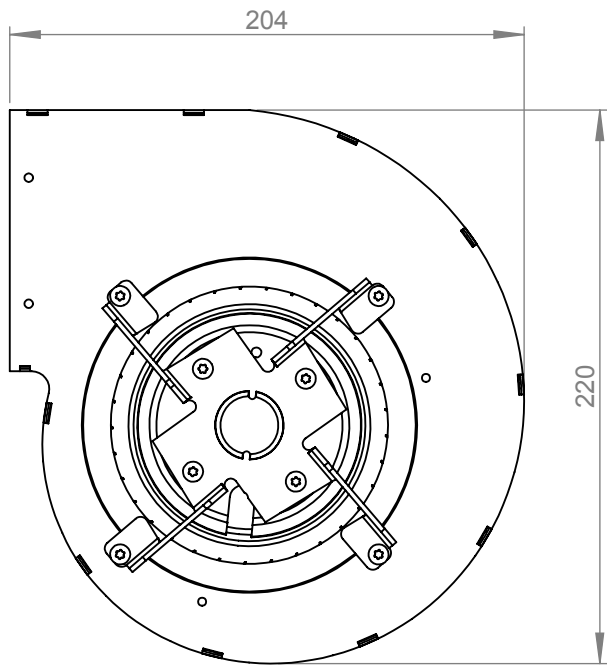


- Forward curved centrifugal fan
- Galvanized metal housing
- Galvanized steel impeller
- Speed controllable
- Integrated thermostatic switch

Operating Point		1	2	3	4	5
Current I	A	0,3	0,3	0,3	0,3	0,4
Power consumption P _i	W	53	53	58	62	69
Rotation speed n	1/min	1405	1374	1259	1123	904
SWL inlet L _{WA5}	dB(A)	59	58	57	57	59
SWL outlet L _{WA6}	dB(A)	57	57	56	58	60
SWL housing break out L _{WA2}	dB(A)	-	-	-	-	-

Sound power (L _W) dB(A)		Medium Frequency Band								
		Σ	63	125	250	500	1k	2k	4k	8k
Inlet	L _{WA5}	57	33	43	47	52	53	47	40	29
Outlet	L _{WA6}	56	34	42	43	49	53	49	43	33
Housing radiation	L _{WA2}	-	-	-	-	-	-	-	-	-

GD 133 4A 116219 116219	
Voltage U _N	230 V 1~
Current I _{max}	0,4 A
Ambient temperature t _A	40 °C
Conveyed medium temperature t _M	40 °C
Speed Control	V
Motor protection	TAI
Insulation class motor	B
Weight	3,3 kg
Number of poles	4
IP motor	IP33
IP terminal box	-
IP complete unit	IPX3
Min. operating temperature	-25 °C



1:3 A4 mm

ruck^{EU}
VENTILATOREN

ruck Ventilatoren
Max-Planck-Str. 5
D-97944 Boxberg

Protection Mark
according to ISO16016

Drawn: m.deissler
Created: m.deissler
Changed:

General tolerances
DIN ISO 2768-c

27.01.2015
27.01.2015

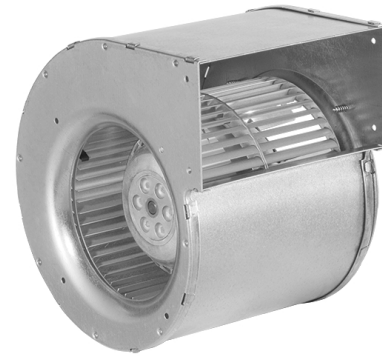
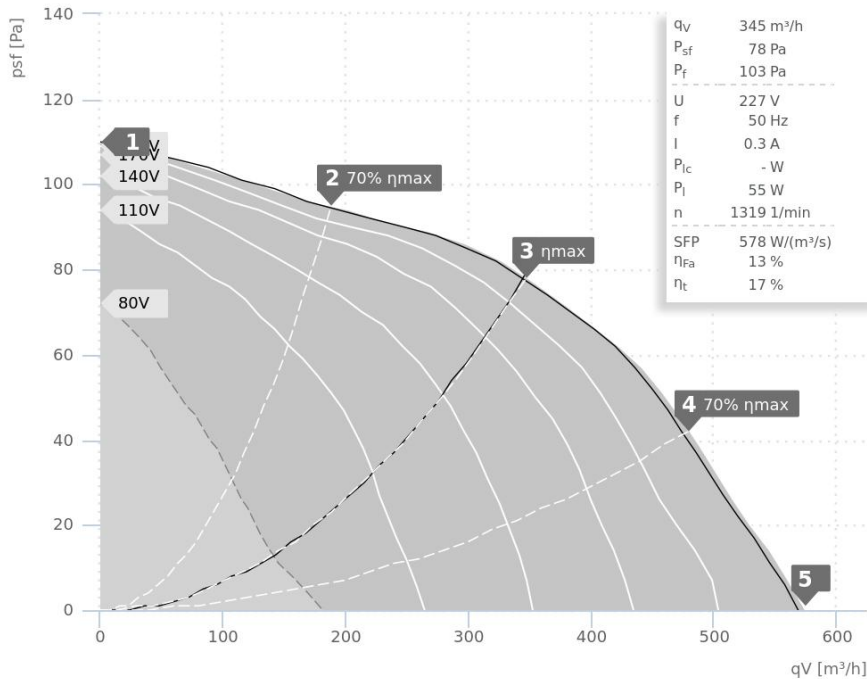
GD1334A116219+

116219 00

VENTAS
VENTILATORER

DATA SHEET

GD 133 4B 100246 | 100246

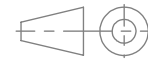
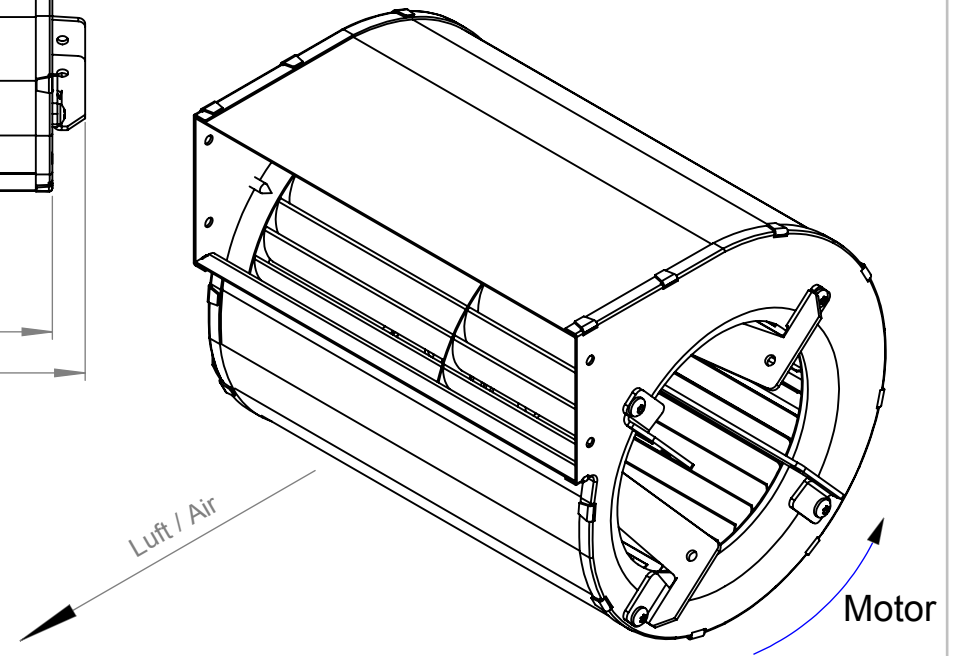
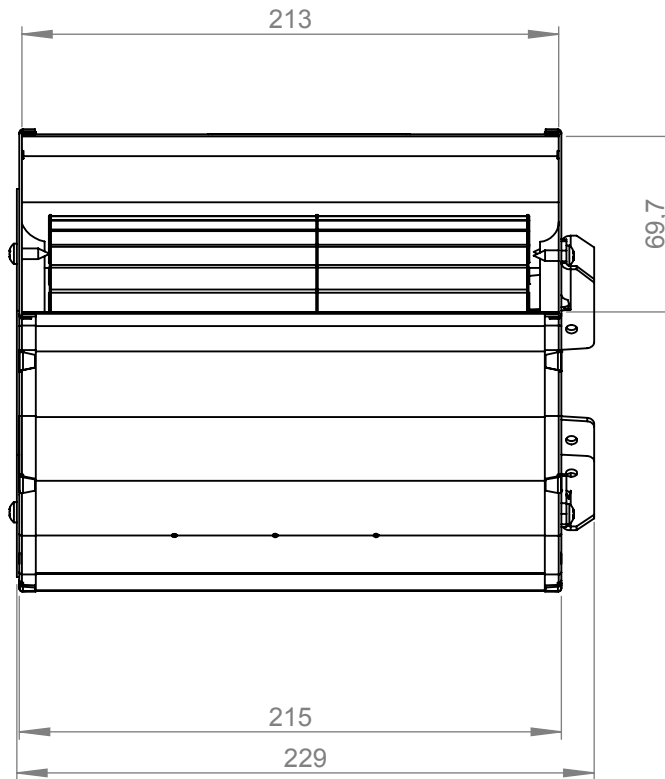
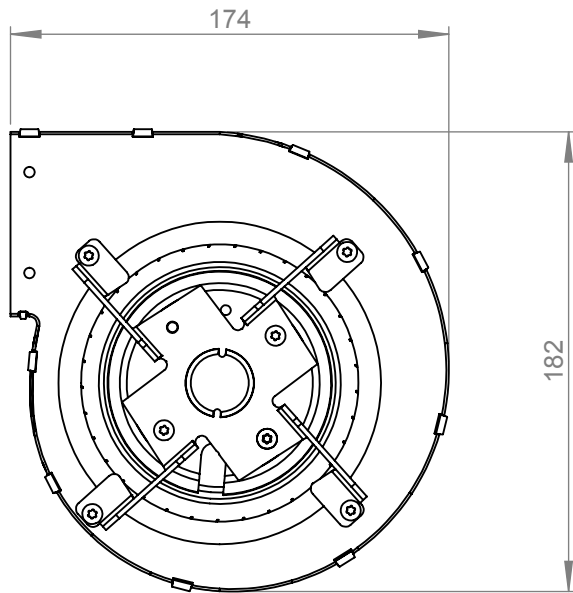


- Forward curved centrifugal fan
- Galvanized metal housing
- Galvanized steel impeller
- Speed controllable
- Integrated thermostatic switch

Operating Point		1	2	3	4	5
Current I	A	0,3	0,3	0,3	0,3	0,3
Power consumption P_1	W	52	54	56	60	64
Rotation speed n	1/min	1445	1398	1321	1222	1112
SWL inlet L_{WA5}	dB(A)	57	56	56	58	60
SWL outlet L_{WA6}	dB(A)	57	55	58	60	61
SWL housing break out L_{WA2}	dB(A)	-	-	-	-	-

Sound power (L_W) dB(A)		Medium Frequency Band								
		Σ	63	125	250	500	1k	2k	4k	8k
Inlet	L_{WA5}	56	27	38	45	51	52	48	42	31
Outlet	L_{WA6}	58	28	38	44	50	56	50	45	35
Housing radiation	L_{WA2}	-	-	-	-	-	-	-	-	-

GD 133 4B 100246 100246	
Voltage U_N	230 V 1~
Current I_{max}	0,4 A
Ambient temperature t_A	30 °C
Conveyed medium temperature t_M	30 °C
Speed Control	V
Motor protection	TAI
Insulation class motor	B
Weight	2,8 kg
Number of poles	4
IP motor	IP33
IP terminal box	-
IP complete unit	IPX3
Min. operating temperature	-25 °C



1:2 A4 mm



Protection Mark according to ISO16016

General tolerances DIN ISO 2768-c

GD1334B100246+

ruck Ventilatoren
Max-Planck-Str. 5
D-97944 Boxberg

Drawn: m.deissler
Created: m.deissler
Changed: m.deissler

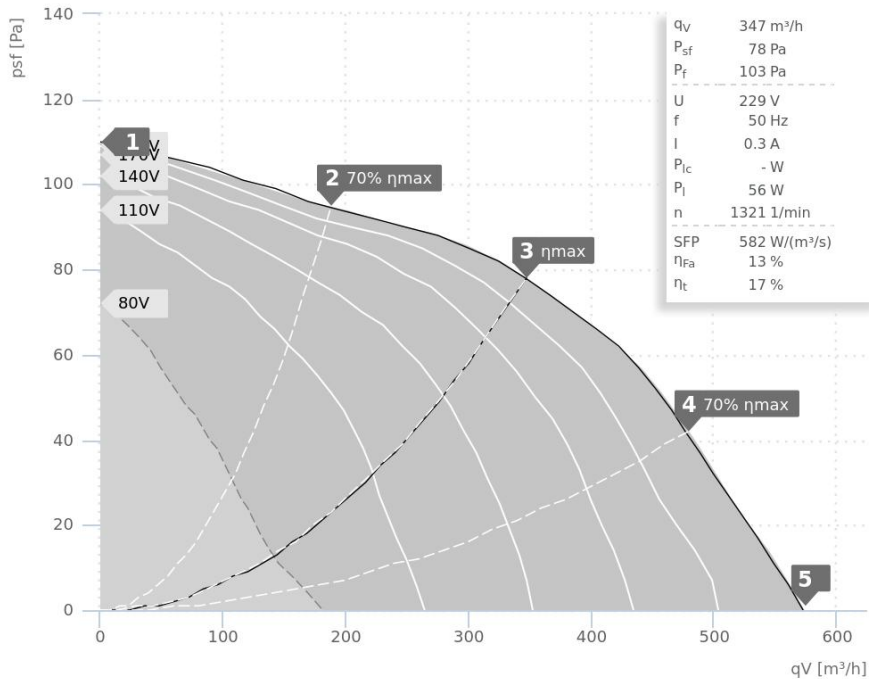
26.01.2015
26.01.2015
26.01.15

100246 01



DATA SHEET

GD 133 4B 100247 | 100247

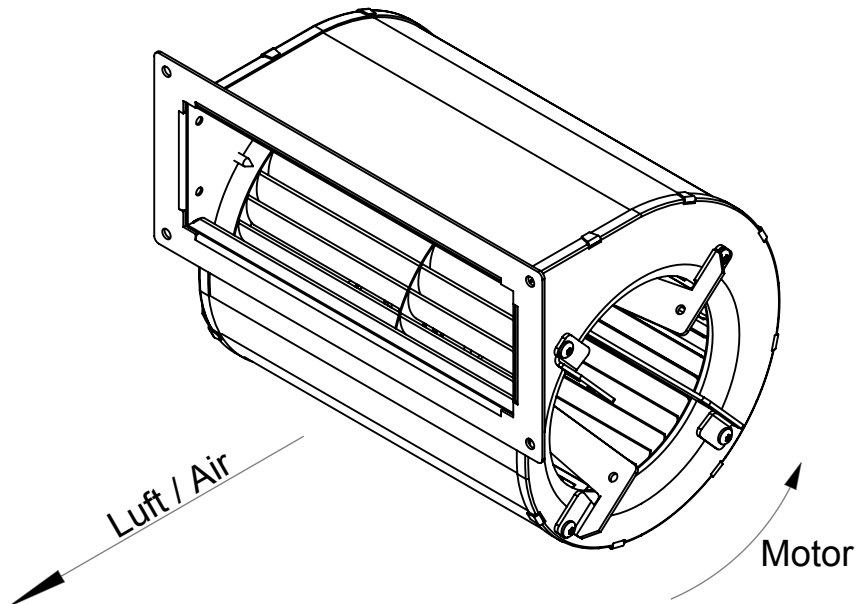
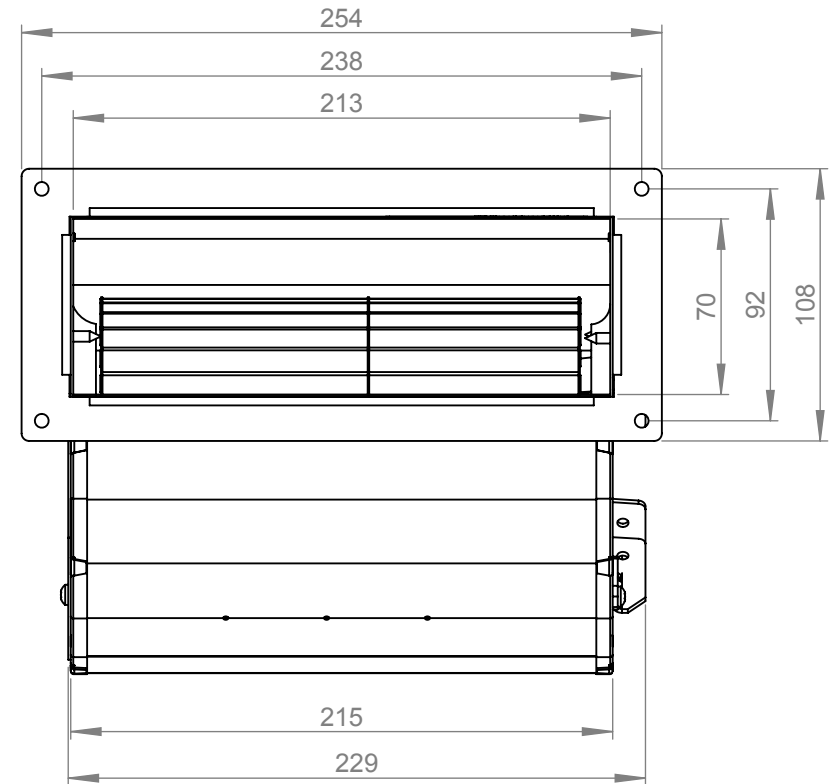
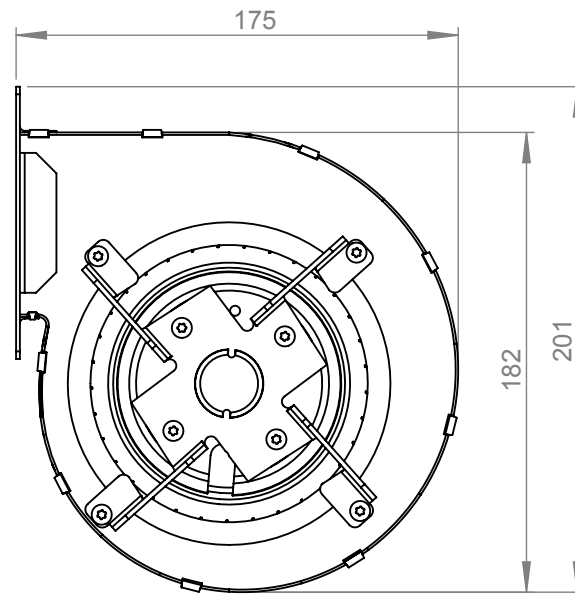


- Forward curved centrifugal fan
- Galvanized metal housing
- Galvanized steel impeller
- Speed controllable
- Integrated thermostatic switch

Operating Point		1	2	3	4	5
Current I	A	0,3	0,3	0,3	0,3	0,3
Power consumption P ₁	W	52	54	56	60	64
Rotation speed n	1/min	1445	1398	1321	1222	1112
SWL inlet L _{WA5}	dB(A)	57	56	56	58	60
SWL outlet L _{WA6}	dB(A)	57	55	58	60	61
SWL housing break out L _{WA2}	dB(A)	-	-	-	-	-

Sound power (L _W) dB(A)		Medium Frequency Band								
		Σ	63	125	250	500	1k	2k	4k	8k
Inlet	L _{WA5}	56	27	38	45	51	52	48	42	31
Outlet	L _{WA6}	58	28	38	44	50	56	50	45	35
Housing radiation	L _{WA2}	-	-	-	-	-	-	-	-	-

GD 133 4B 100247 100247	
Voltage U _N	230 V 1~
Current I _{max}	0,4 A
Ambient temperature t _A	30 °C
Conveyed medium temperature t _M	30 °C
Speed Control	V
Motor protection	TAI
Insulation class motor	B
Weight	3,0 kg
Number of poles	4
IP motor	IP33
IP terminal box	-
IP complete unit	IPX3
Min. operating temperature	-25 °C



ruck Ventilatoren
Max-Planck-Str. 5
D-97944 Boxberg



1:2 A4 mm

Protection Mark
according to ISO16016

General tolerances
DIN ISO 2768-c

GD1334B100247+

Drawn: m.deissler
Created: sy
Changed: d.andree

27.01.15
26.06.06
14.03.18

100247 03

