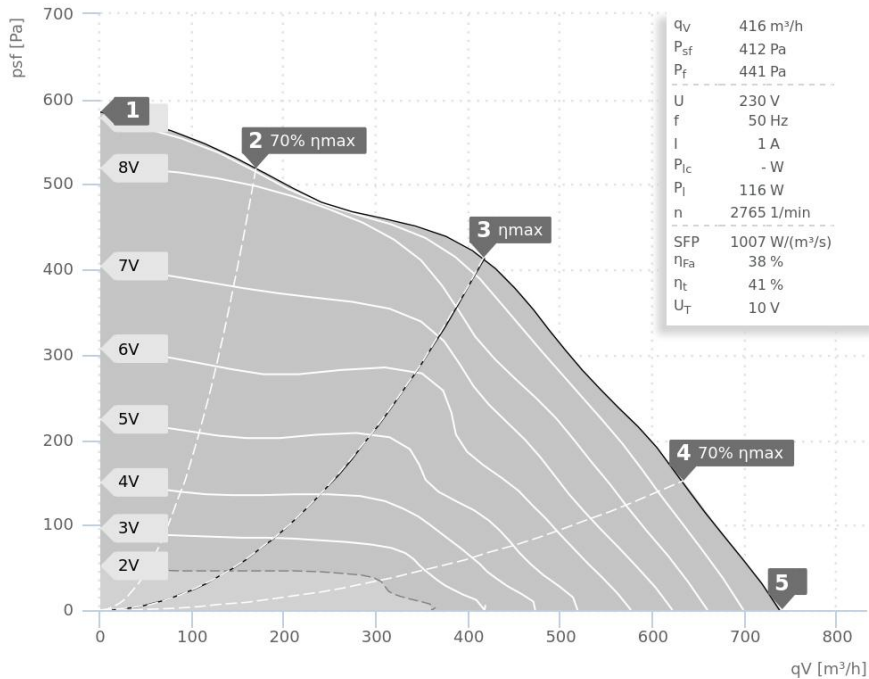


DATA SHEET

GD 133 EC 133483 | 133483

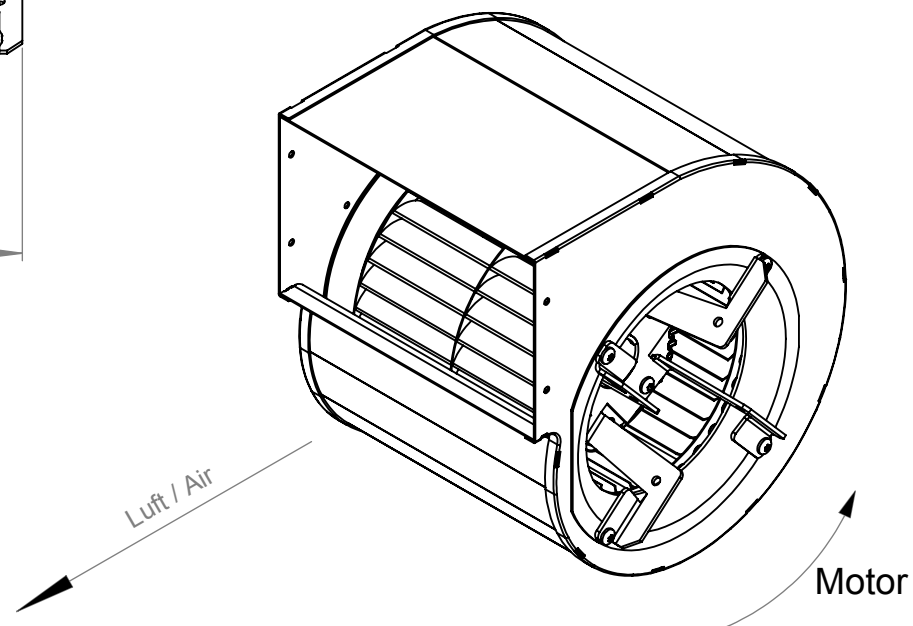
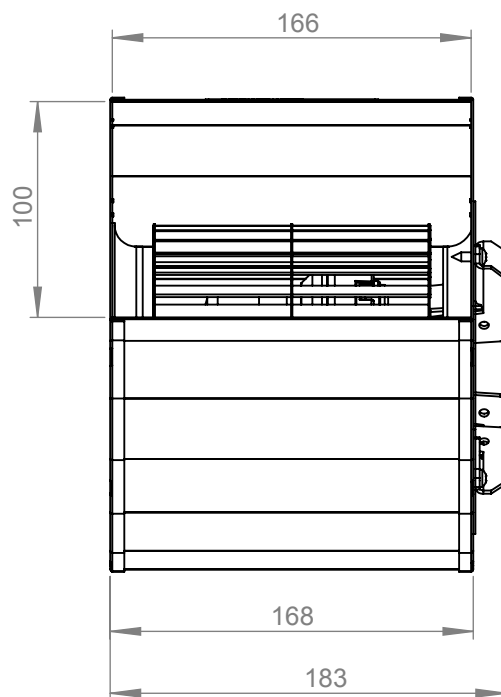
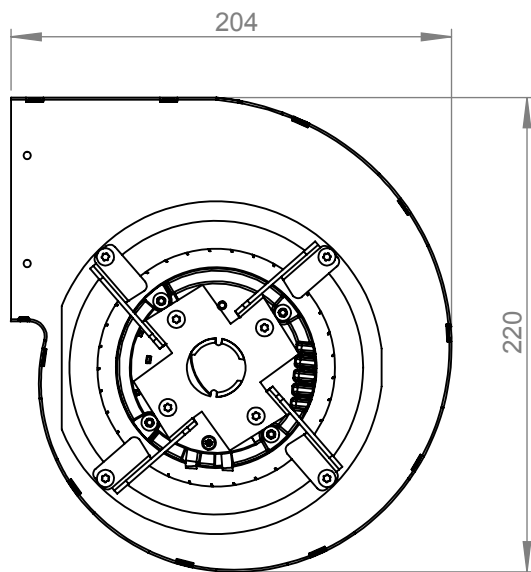


- Forward curved centrifugal fan
- With EC motor
- Integrated electronic
- Speed controllable
- Internal electronic temperature monitoring
- Galvanized metal housing
- Galvanized steel impeller

Operating Point		1	2	3	4	5
Current I	A	0,7	0,7	1,0	0,8	0,6
Power consumption P_1	W	76	86	117	91	76
Rotation speed n	1/min	3156	3077	2768	1816	1726
SWL inlet L_{WA5}	dB(A)	75	74	72	68	69
SWL outlet L_{WA6}	dB(A)	76	76	74	69	69
SWL housing break out L_{WA2}	dB(A)	-	-	-	-	-

Sound power (L_W) dB(A)		Medium Frequency Band								
		Σ	63	125	250	500	1k	2k	4k	8k
Inlet	L_{WA5}	72	49	57	61	64	65	67	65	58
Outlet	L_{WA6}	74	49	56	58	63	68	70	65	60
Housing radiation	L_{WA2}	-	-	-	-	-	-	-	-	-

GD 133 EC 133483 133483	
Voltage U_N	230 V 1~
Current I_{max}	1,0 A
Ambient temperature t_A	60 °C
Conveyed medium temperature t_M	60 °C
Speed Control	0-10V
Motor protection	TEC
Insulation class motor	F
Weight	2,8 kg
Number of poles	-
IP motor	IP54
IP terminal box	-
IP complete unit	IPX4
Min. operating temperature	-30 °C



1:5 A4 mm

ruck^{EU}
VENTILATOREN

ruck Ventilatoren
Max-Planck-Str. 5
D-97944 Boxberg

Protection Mark
according to ISO16016

Drawn: d.andree
Created: d.andree
Changed: d.andree

General tolerances
DIN ISO 2768-c

17.07.15
17.07.15
24.07.15

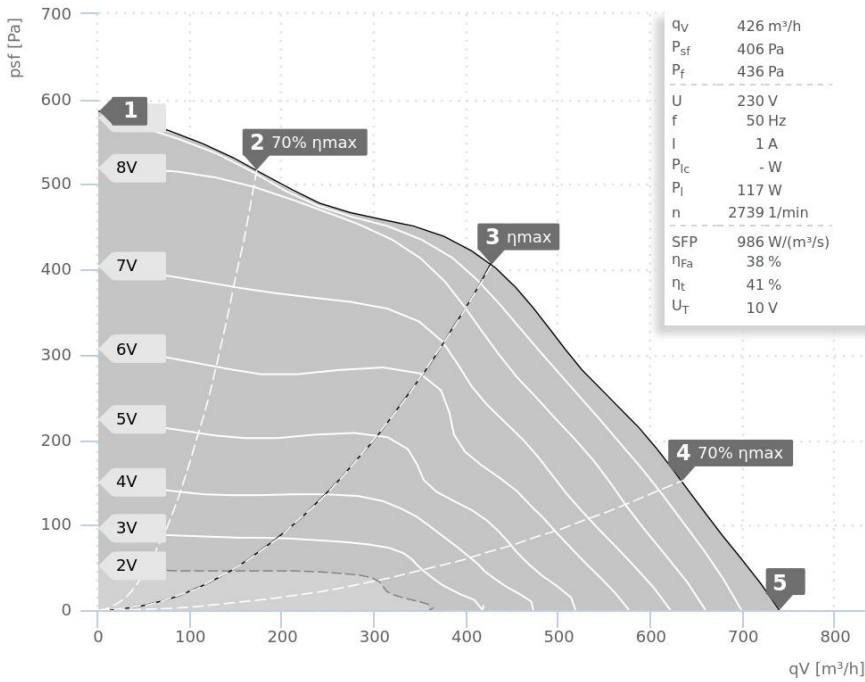
GD133EC133483

133483 00

VENTAS
VENTILATOREN

DATA SHEET

GD 133 EC 133484 | 133484

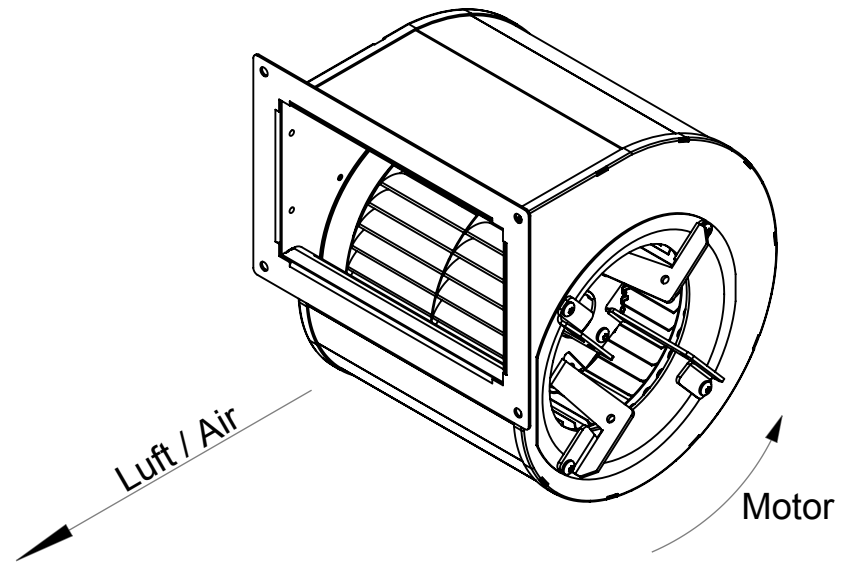
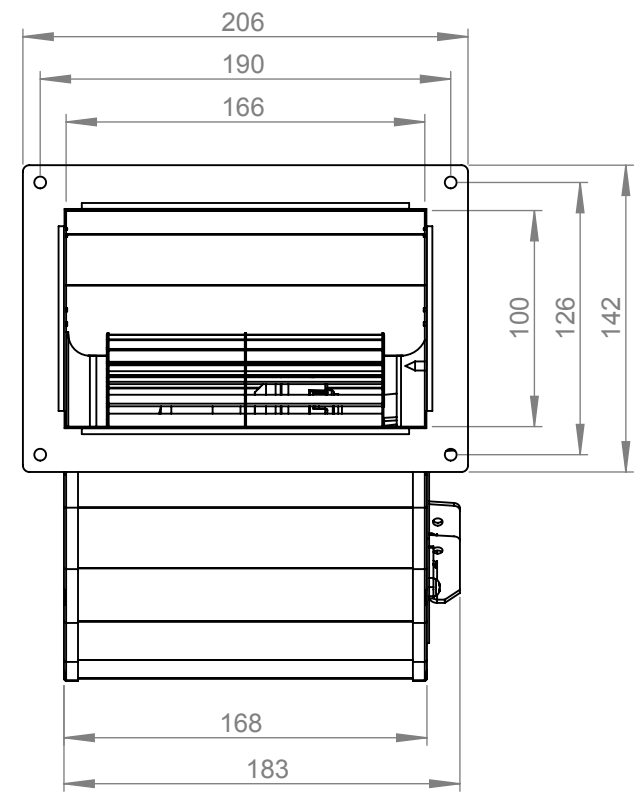
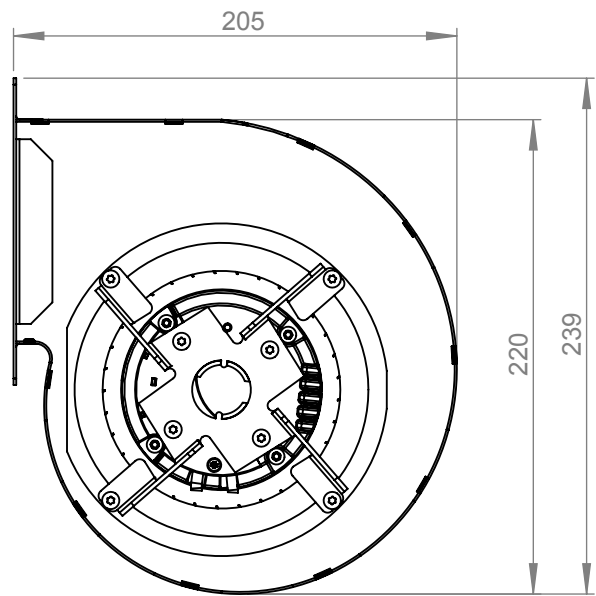


- Forward curved centrifugal fan
- With EC motor
- Integrated electronic
- Speed controllable
- Internal electronic temperature monitoring
- Galvanized metal housing
- Galvanized steel impeller

Operating Point		1	2	3	4	5
Current I	A	0,0	0,0	0,0	0,0	0,0
Power consumption P_1	W	-	-	-	-	-
Rotation speed n	1/min	-	-	-	-	-
SWL inlet L_{WA5}	dB(A)	-	-	-	-	-
SWL outlet L_{WA6}	dB(A)	-	-	-	-	-
SWL housing break out L_{WA2}	dB(A)	-	-	-	-	-

Sound power (L_W) dB(A)		Medium Frequency Band								
		Σ	63	125	250	500	1k	2k	4k	8k
Inlet	L_{WA5}	-	-	-	-	-	-	-	-	-
Outlet	L_{WA6}	-	-	-	-	-	-	-	-	-
Housing radiation	L_{WA2}	-	-	-	-	-	-	-	-	-

GD 133 EC 133484 133484	
Voltage U_N	230 V 1~
Current I_{max}	1,0 A
Ambient temperature t_A	60 °C
Conveyed medium temperature t_M	60 °C
Speed Control	0-10V
Motor protection	TEC
Insulation class motor	F
Weight	2,9 kg
Number of poles	-
IP motor	IP54
IP terminal box	-
IP complete unit	IPX4
Min. operating temperature	-30 °C



ruck^{eu}
VENTILATOREN
ruck Ventilatoren
Max-Planck-Str. 5
D-97944 Boxberg



1:4 A4 mm

Protection Mark
according to ISO16016

General tolerances
DIN ISO 2768-c

GD133EC133484

Drawn: d.andree
Created: d.andree
Changed: d.andree

17.07.15
17.07.15
14.03.18

133484 01

