

KIT HI 35 (KHI35)

GENERAL DATA



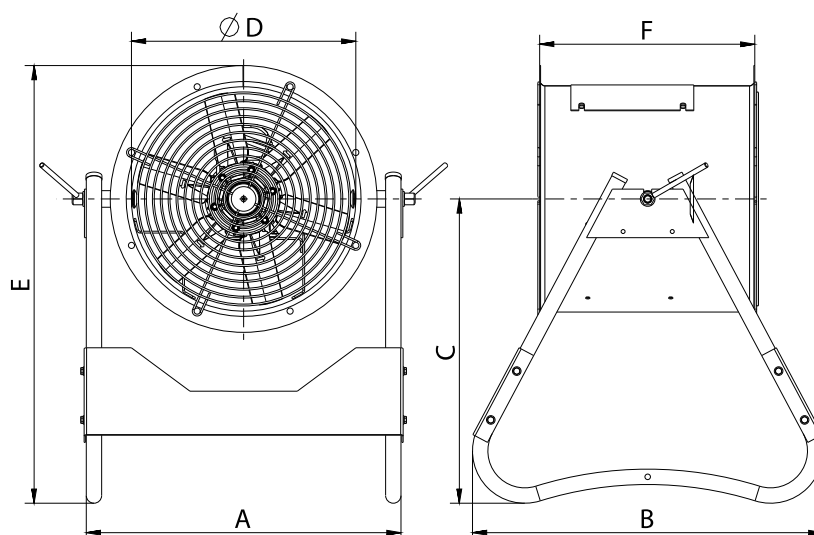
CASE TO PORTABLE CONVERSION KIT

MANUFACTURING FEATURES

Set consisting of:

- Protection grids on both sides (RP), in compliance with the directive ROHS 2002/95/EC (Restriction of hazardous substances in electrical and electronic equipment).
- Tilt support (PS) made of steel and protected against corrosion with polyester resin powder.
- Possibility of orienting the air jet in any position.
- Applicable to HM, HMA, HMF and HMFx.

DIMENSIONS

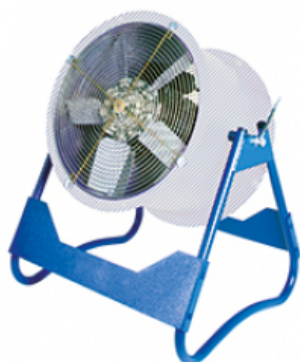


Dimensions (mm)

A	512	B	570	C	495	D	365	E	712
F	350	F (T2)	395						

KIT HI 40 (KHI40)

GENERAL DATA



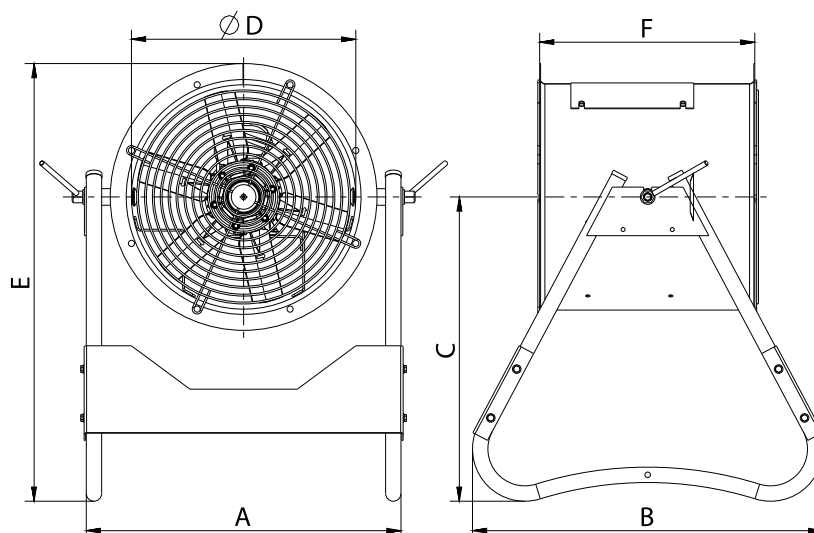
CASE TO PORTABLE CONVERSION KIT

MANUFACTURING FEATURES

Set consisting of:

- Protection grids on both sides (RP), in compliance with the directive ROHS 2002/95/EC (Restriction of hazardous substances in electrical and electronic equipment).
- Tilt support (PS) made of steel and protected against corrosion with polyester resin powder.
- Possibility of orienting the air jet in any position.
- Applicable to HM, HMA, HMF and HMFx.

DIMENSIONS

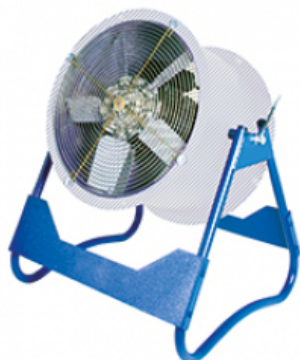


Dimensions (mm)

A	553	B	570	C	495	D	403	E	731
F	440								

KIT HI 45 (KHI45)

GENERAL DATA



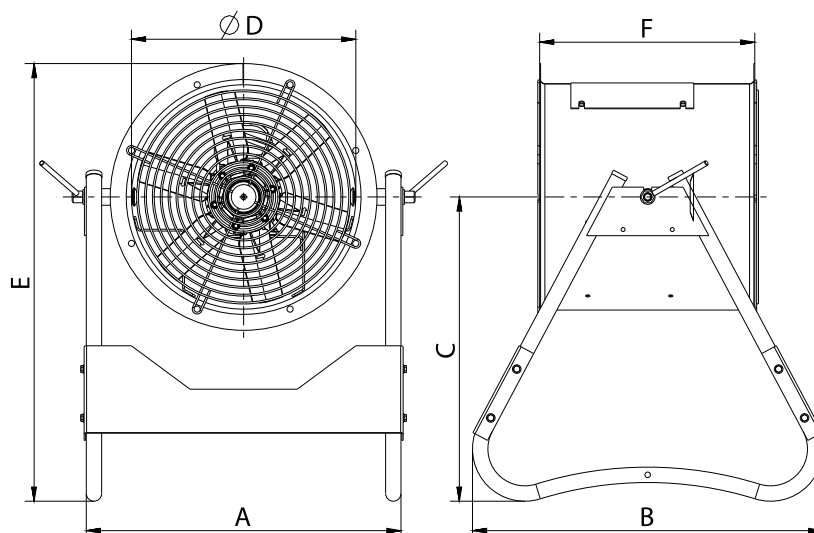
CASE TO PORTABLE CONVERSION KIT

MANUFACTURING FEATURES

Set consisting of:

- Protection grids on both sides (RP), in compliance with the directive ROHS 2002/95/EC (Restriction of hazardous substances in electrical and electronic equipment).
- Tilt support (PS) made of steel and protected against corrosion with polyester resin powder.
- Possibility of orienting the air jet in any position.
- Applicable to HM, HMA, HMF and HMFx.

DIMENSIONS



Dimensions (mm)

A	613	B	570	C	495	D	452	E	757.5
F	455								

KIT HI 56 (KHI56)

GENERAL DATA



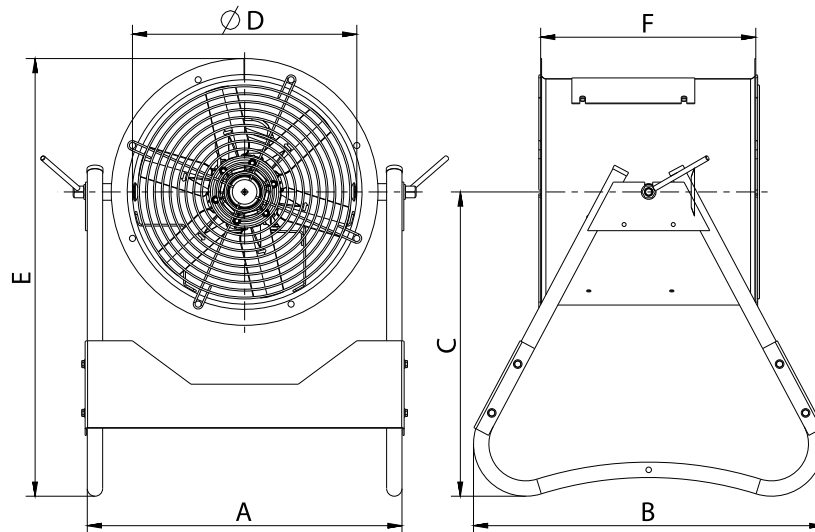
CASE TO PORTABLE CONVERSION KIT

MANUFACTURING FEATURES

Set consisting of:

- Protection grids on both sides (RP), in compliance with the directive ROHS 2002/95/EC (Restriction of hazardous substances in electrical and electronic equipment).
- Tilt support (PS) made of steel and protected against corrosion with polyester resin powder.
- Possibility of orienting the air jet in any position.
- Applicable to HM, HMA, HMF and HMFx.

DIMENSIONS



Dimensions (mm)

A	713	B	700	C	650	D	559	E	973
F	560								

KIT HI 63 (KHI63)

GENERAL DATA



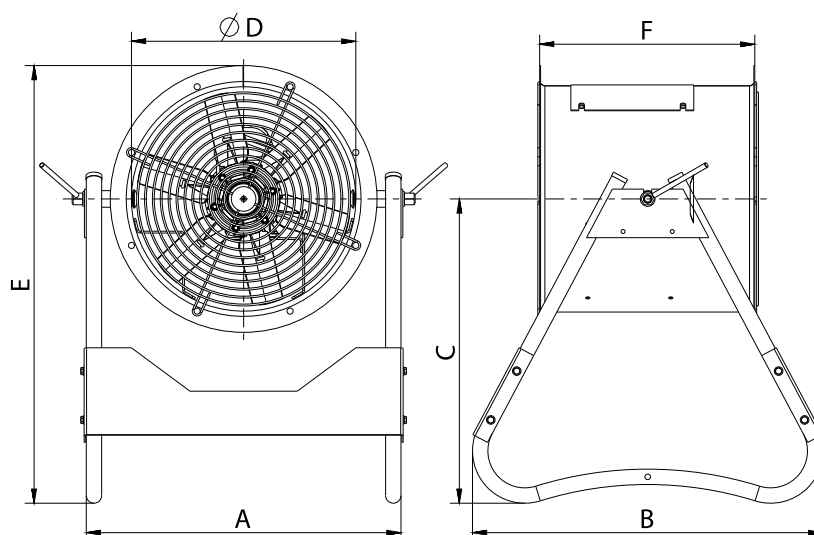
CASE TO PORTABLE CONVERSION KIT

MANUFACTURING FEATURES

Set consisting of:

- Protection grids on both sides (RP), in compliance with the directive ROHS 2002/95/EC (Restriction of hazardous substances in electrical and electronic equipment).
- Tilt support (PS) made of steel and protected against corrosion with polyester resin powder.
- Possibility of orienting the air jet in any position.
- Applicable to HM, HMA, HMF and HMFx.

DIMENSIONS



Dimensions (mm)

A	783	B	700	C	650	D	633	E	1012.5
F	550								

KIT HI 71 (KHI71)

GENERAL DATA



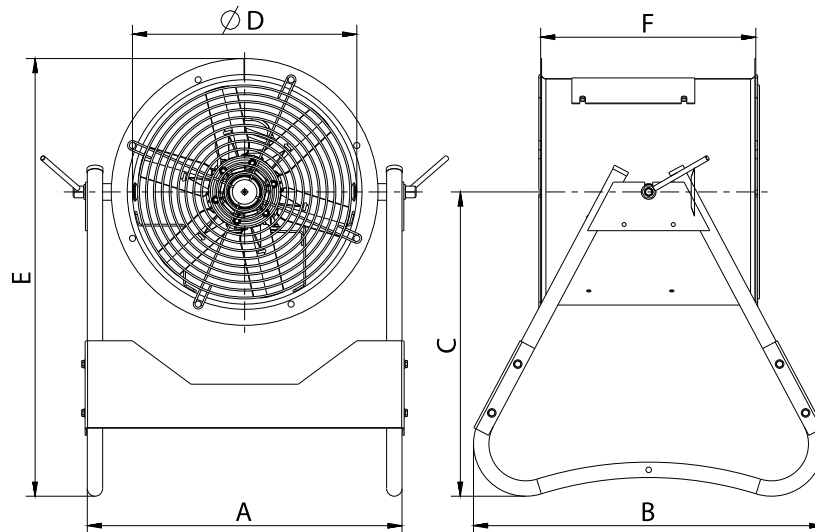
CASE TO PORTABLE CONVERSION KIT

MANUFACTURING FEATURES

Set consisting of:

- Protection grids on both sides (RP), in compliance with the directive ROHS 2002/95/EC (Restriction of hazardous substances in electrical and electronic equipment).
- Tilt support (PS) made of steel and protected against corrosion with polyester resin powder.
- Possibility of orienting the air jet in any position.
- Applicable to HM, HMA, HMF and HMFx.

DIMENSIONS



Dimensions (mm)

A	868	B	700	C	650	D	716	E	1051
F	600								