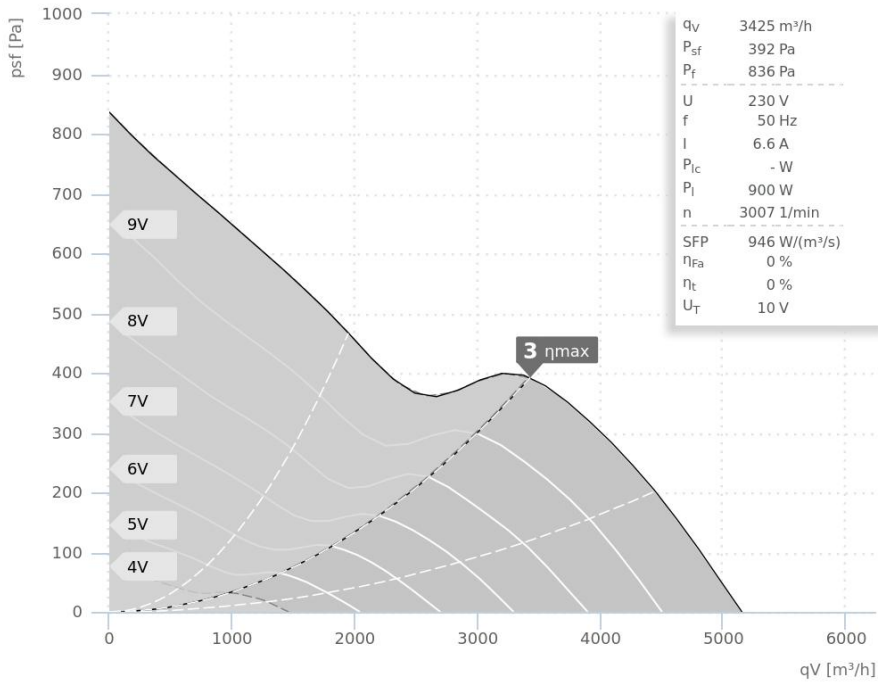


DATA SHEET

ruck.eu
VENTILATOREN

AL 315 EC 01 | 154136

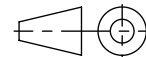
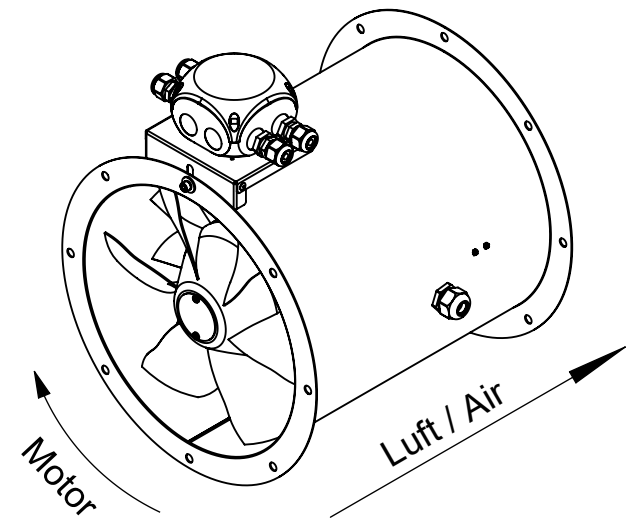
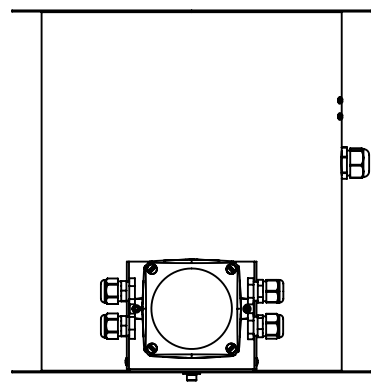
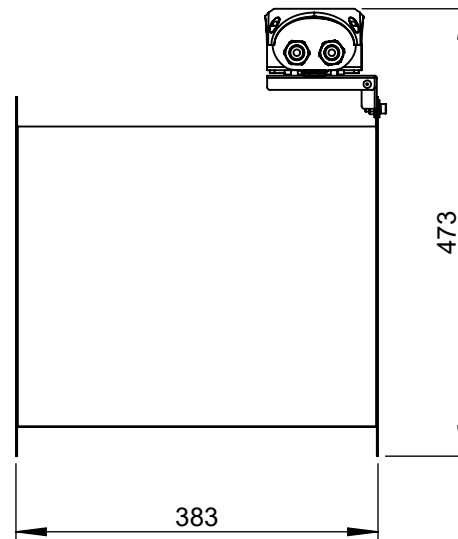
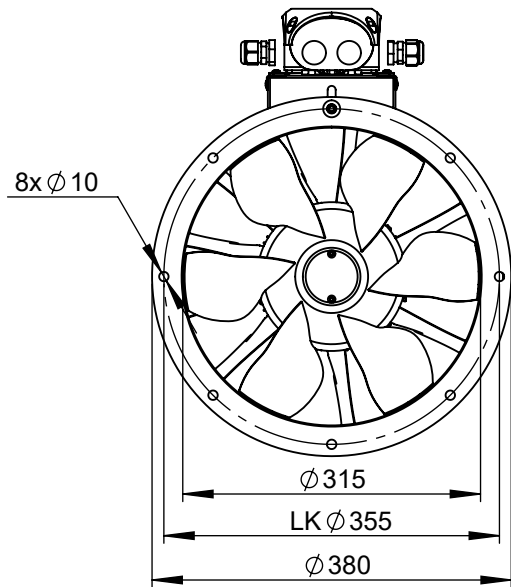


- Highly efficient EC motor, energy efficiency class IE5, with integrated electronics
- CFD optimized 3D impeller and 3D stator blades
- A stator downstream of the impeller increases pressure and efficiency
- Cone hub for optimal incident flow at the impeller
- Exceeds the current ErP regulation by 15-20%
- Conveyor temperature up to 60 °C in continuous operation
- Robust, but light welded construction
- Double function of the stator blades which, in addition to the important aerodynamic function, ensure extreme stiffness of the housing
- Suitable for outdoor installation

Operating Point		1	2	3	4	5
Current I	A	6,6	4,2	5,0	4,8	4,1
Power consumption P _i	W	893	545	665	614	531
Rotation speed n	1/min	2999	3007	3007	3007	3007
SWL inlet L _{WA5}	dB(A)	91	90	89	89	89
SWL outlet L _{WA6}	dB(A)	95	89	89	92	92
SWL housing break out L _{WA2}	dB(A)	79	75	75	76	74

Sound power (L _W) dB(A)		Medium Frequency Band								
		Σ	63	125	250	500	1k	2k	4k	8k
Inlet	L _{WA5}	91	56	67	82	86	85	85	82	74
Outlet	L _{WA6}	95	57	73	83	90	89	90	86	79
Housing radiation	L _{WA2}	79	56	60	66	75	72	72	69	64

AL 315 EC 01 154136	
Voltage U _N	230 V 1~
Current I _{max}	5,0 A
Ambient temperature t _A	60 °C
Conveyed medium temperature t _M	60 °C
Speed Control	0-10V
Motor protection	TEC
Insulation class motor	F
Weight	17,2 kg
Number of poles	-
IP motor	IP55
IP terminal box	-
IP complete unit	-
Min. operating temperature	-20 °C



1:8 A4 mm

ruck^{eu}
VENTILATOREN

ruck Ventilatoren
Max-Planck-Str. 5
D-97944 Boxberg

Protection Mark
according to ISO16016

Created I.benk
Drawn I.benk
Released I.benk
Disabled

General tolerances
DIN ISO 2768-c

26.03.2020
26.03.2020
03.12.2021

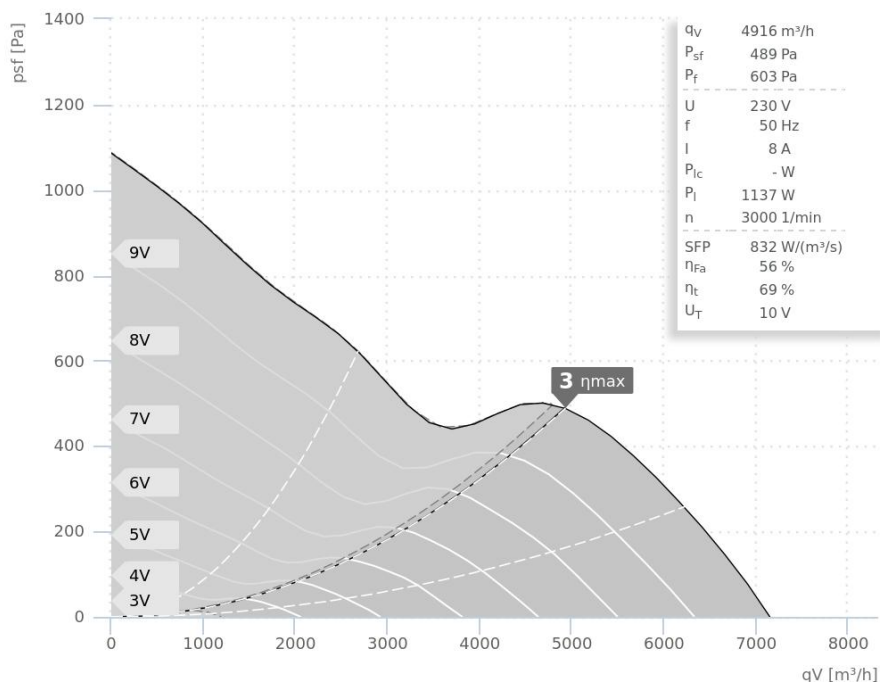
AL315EC01

154136 01

VENTAS
VENTILATOREN

DATA SHEET

AL 355 EC 01 | 154127

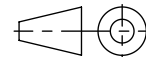
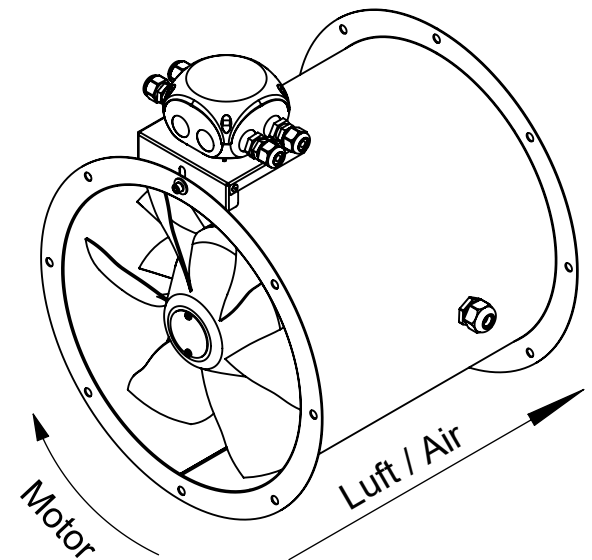
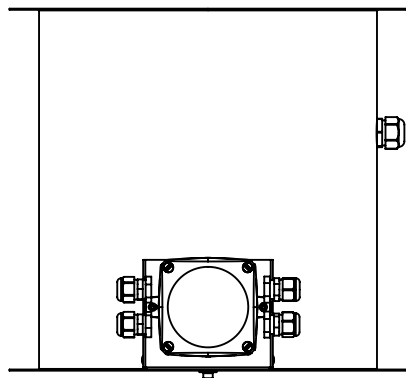
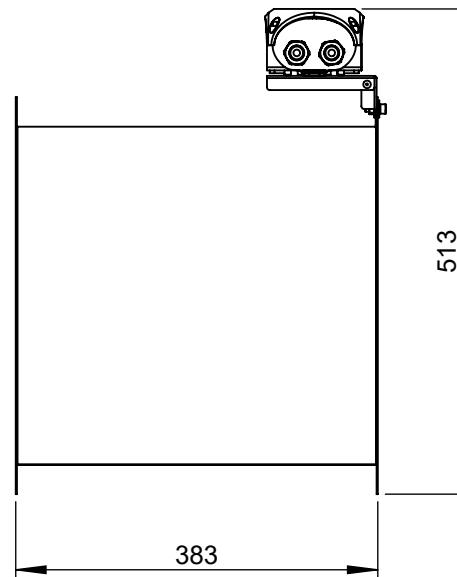
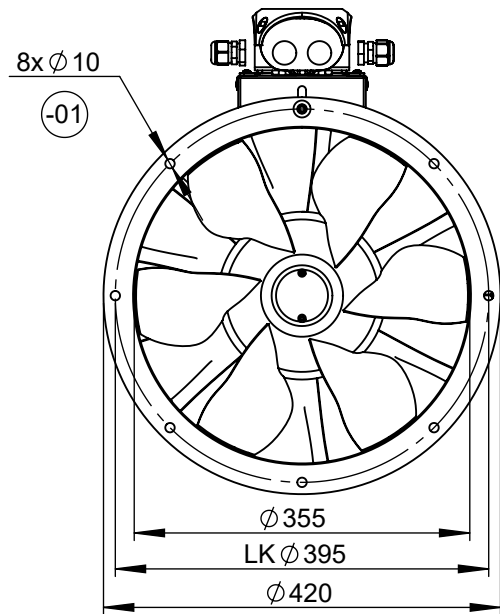


- Highly efficient EC motor, energy efficiency class IE5, with integrated electronics
- CFD optimized 3D impeller and 3D stator blades
- A stator downstream of the impeller increases pressure and efficiency
- Cone hub for optimal incident flow at the impeller
- Exceeds the current ErP regulation by 15-20%
- Conveyor temperature up to 60 °C in continuous operation
- Robust, but light welded construction
- Double function of the stator blades which, in addition to the important aerodynamic function, ensure extreme stiffness of the housing
- Suitable for outdoor installation

Operating Point		1	2	3	4	5
Current I	A	11,3	6,9	8,3	7,6	6,6
Power consumption P_i	W	1648	956	1176	1068	919
Rotation speed n	1/min	3004	3000	3002	3005	3002
SWL inlet L_{WA5}	dB(A)	98	93	92	91	92
SWL outlet L_{WA6}	dB(A)	99	93	93	96	96
SWL housing break out L_{WA2}	dB(A)	86	81	79	80	78

Sound power (L_W) dB(A)		Medium Frequency Band								
		Σ	63	125	250	500	1k	2k	4k	8k
Inlet	L_{WA5}	93	62	73	86	89	87	85	79	71
Outlet	L_{WA6}	93	60	71	81	89	87	85	80	72
Housing radiation	L_{WA2}	80	61	62	68	79	68	65	61	61

AL 355 EC 01 154127	
Voltage U_N	230 V 1~
Current I_{max}	8,5 A
Ambient temperature t_A	60 °C
Conveyed medium temperature t_M	60 °C
Speed Control	0-10V
Motor protection	TEC
Insulation class motor	F
Weight	22,0 kg
Number of poles	-
IP motor	IP55
IP terminal box	-
IP complete unit	-
Min. operating temperature	-20 °C



1:8 A4 mm

ruck^{eu}
VENTILATOREN

ruck Ventilatoren
Max-Planck-Str. 5
D-97944 Boxberg

Protection Mark
according to ISO16016

Created I.benk
Drawn I.benk
Released I.benk
Disabled

General tolerances
DIN ISO 2768-c

25.03.2020
25.03.2020
03.12.2021

AL355EC01

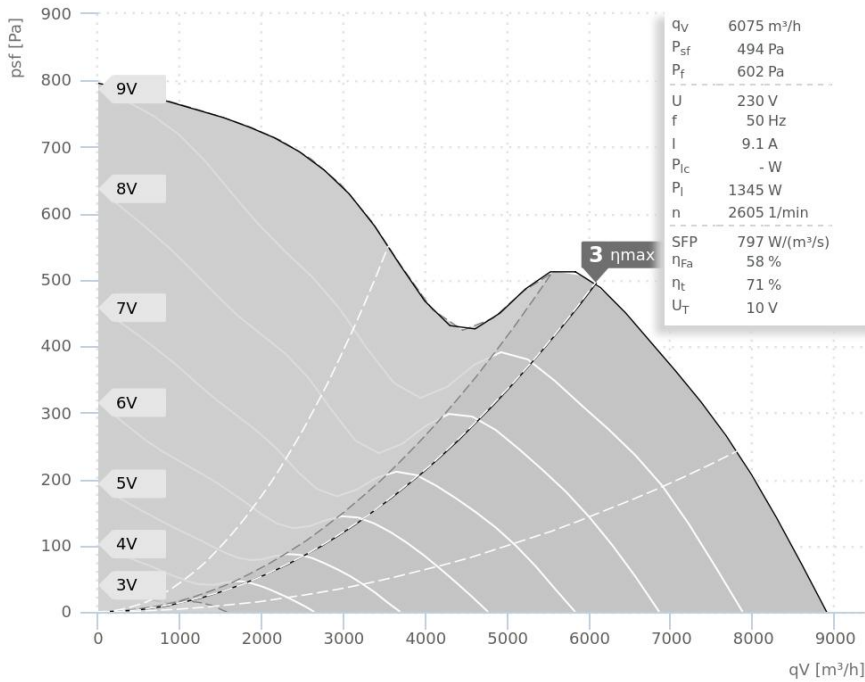
154127 01

VENTAS
VENTILATORER

DATA SHEET

ruck.eu
VENTILATOREN

AL 400 EC 01 | 154093

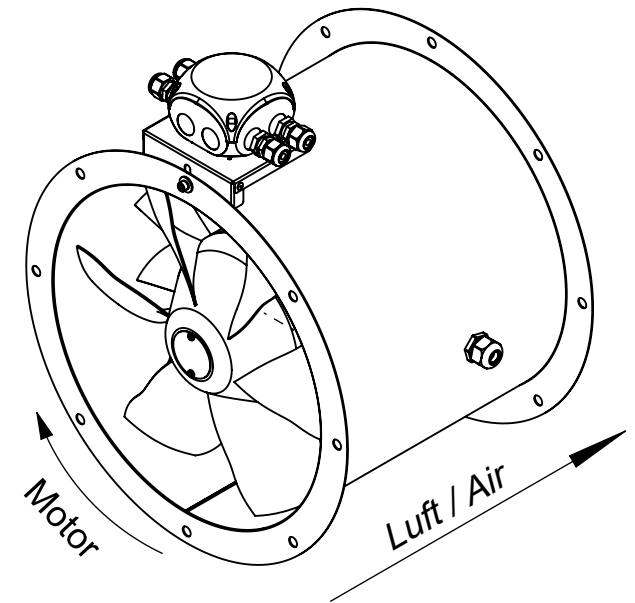
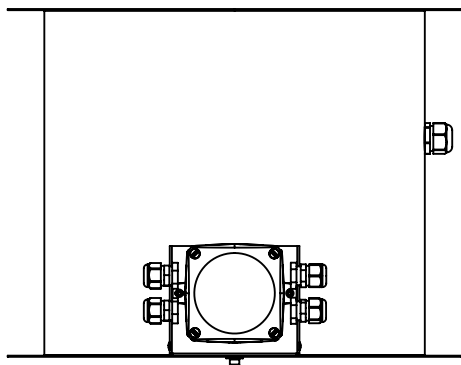
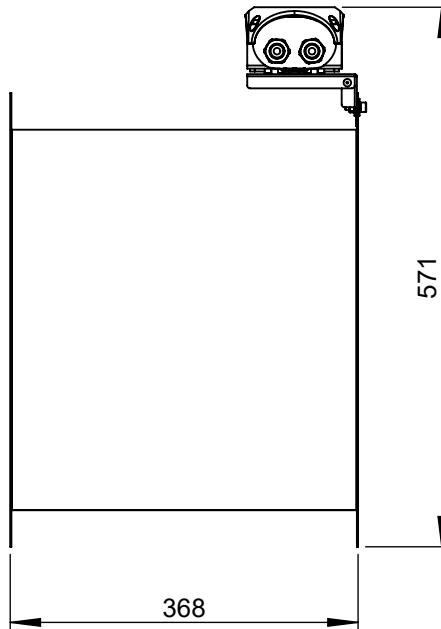
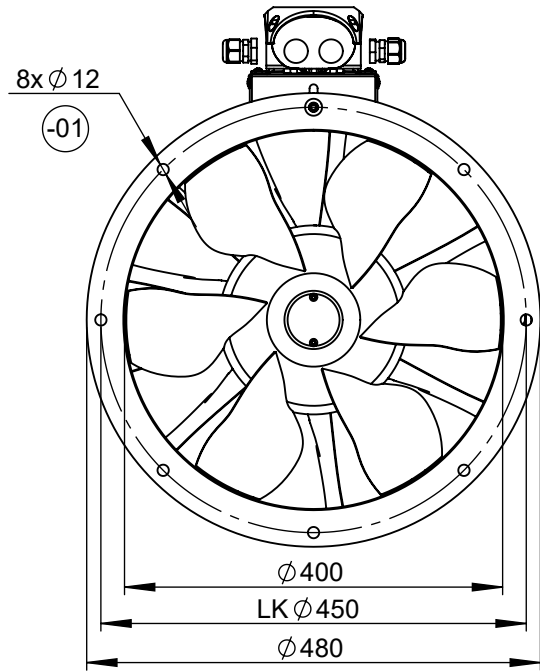


- Highly efficient EC motor, energy efficiency class IE5, with integrated electronics
- CFD optimized 3D impeller and 3D stator blades
- A stator downstream of the impeller increases pressure and efficiency
- Cone hub for optimal incident flow at the impeller
- Exceeds the current ErP regulation by 15-20%
- Conveyor temperature up to 60 °C in continuous operation
- Robust, but light welded construction
- Double function of the stator blades which, in addition to the important aerodynamic function, ensure extreme stiffness of the housing
- Suitable for outdoor installation

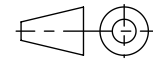
Operating Point		1	2	3	4	5
Current I	A	8,5	8,9	10,2	8,5	7,1
Power consumption P_i	W	1256	1317	1536	1236	1025
Rotation speed n	1/min	2238	2612	2600	2609	2608
SWL inlet L_{WA5}	dB(A)	96	93	94	95	95
SWL outlet L_{WA6}	dB(A)	96	92	93	96	97
SWL housing break out L_{WA2}	dB(A)	81	80	79	85	83

Sound power (L_W) dB(A)		Medium Frequency Band								
		Σ	63	125	250	500	1k	2k	4k	8k
Inlet	L_{WA5}	93	57	70	83	88	88	84	79	71
Outlet	L_{WA6}	92	59	77	83	88	87	84	79	71
Housing radiation	L_{WA2}	79	64	68	70	78	69	66	61	60

AL 400 EC 01 154093	
Voltage U_N	230 V 1~
Current I_{max}	10,3 A
Ambient temperature t_A	60 °C
Conveyed medium temperature t_M	60 °C
Speed Control	0-10V
Motor protection	TEC
Insulation class motor	F
Weight	20,4 kg
Number of poles	-
IP motor	IP55
IP terminal box	-
IP complete unit	-
Min. operating temperature	-20 °C



ruck^{eu}
VENTILATOREN
ruck Ventilatoren
Max-Planck-Str. 5
D-97944 Boxberg



Protection Mark
according to ISO16016
Created I.benk
Drawn I.benk
Released I.benk
Disabled

1:8 A4 mm

General tolerances
DIN ISO 2768-c
24.03.2020
24.03.2020
03.12.2021

AL400EC01

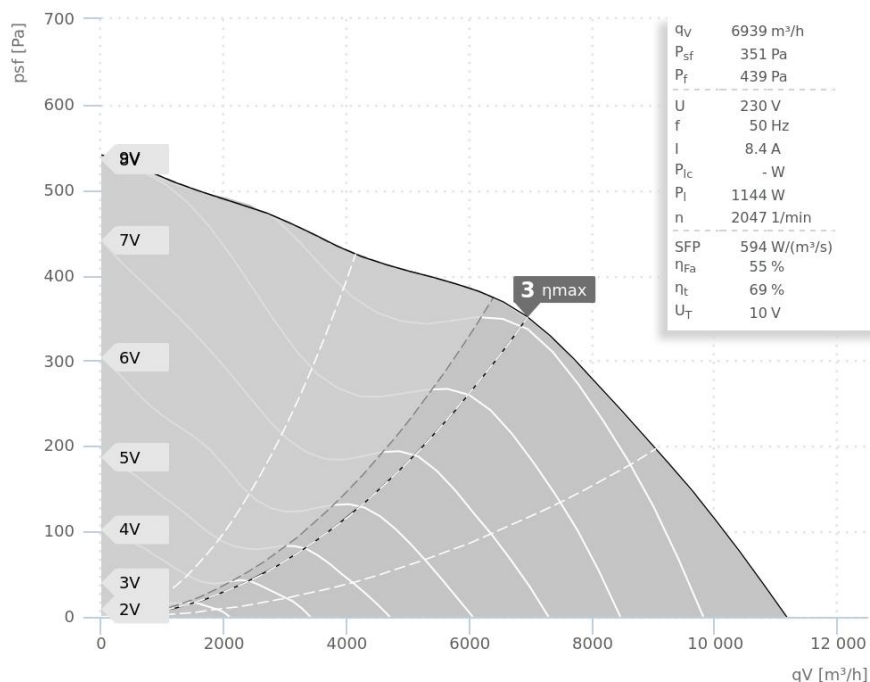
154093 01

VENTAS
VENTILATOREN

DATA SHEET

AL 450 EC 03 | 156262

ruck.eu
VENTILATOREN

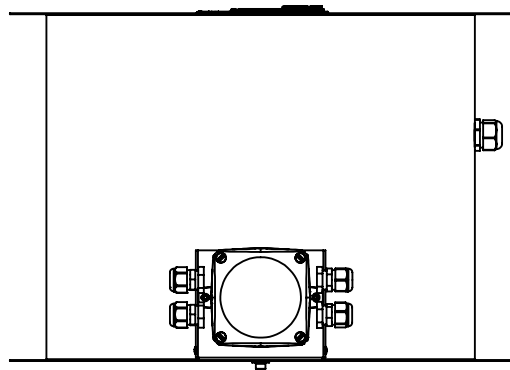
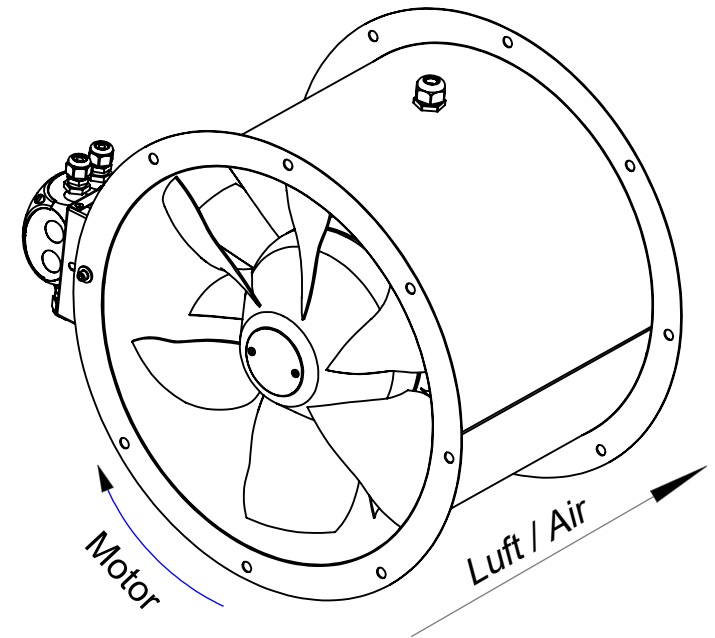
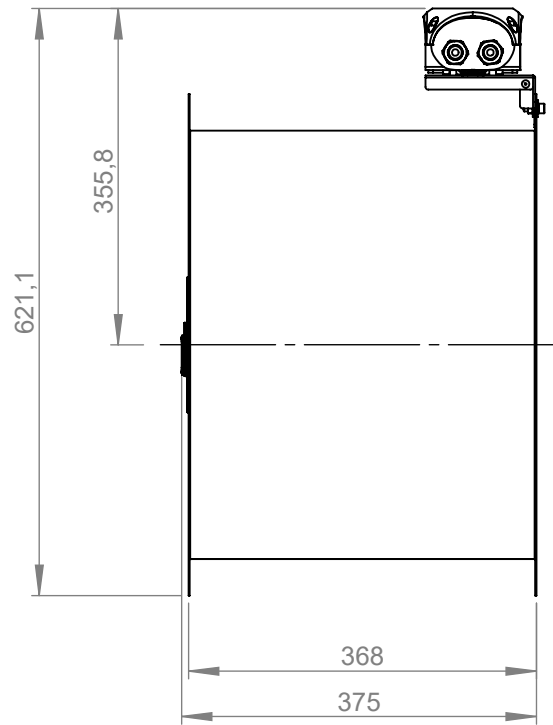
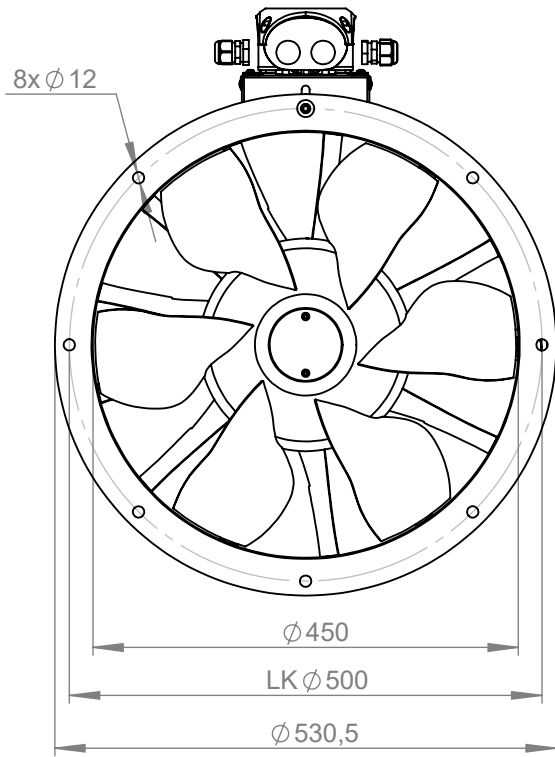


- Highly efficient EC motor, energy efficiency class IE5, with integrated electronics
- CFD optimized 3D impeller and 3D stator blades
- A stator downstream of the impeller increases pressure and efficiency
- Cone hub for optimal incident flow at the impeller
- Exceeds the current ErP regulation by 15-20%
- Conveyor temperature up to 60 °C in continuous operation
- Robust, but light welded construction
- Double function of the stator blades which, in addition to the important aerodynamic function, ensure extreme stiffness of the housing
- Suitable for outdoor installation

Operating Point		1	2	3	4	5
Current I	A	6,9	8,2	8,4	8,7	9,1
Power consumption P_i	W	933	1146	1142	1191	1255
Rotation speed n	1/min	1663	2062	2042	2135	2304
SWL inlet L_{WA5}	dB(A)	91	89	90	95	97
SWL outlet L_{WA6}	dB(A)	91	89	92	97	98
SWL housing break out L_{WA2}	dB(A)	72	70	73	77	80

Sound power (L_W) dB(A)		Medium Frequency Band								
		Σ	63	125	250	500	1k	2k	4k	8k
Inlet	L_{WA5}	90	40	52	70	87	85	81	75	66
Outlet	L_{WA6}	92	42	59	75	90	86	81	76	67
Housing radiation	L_{WA2}	73	37	44	64	69	70	61	55	55

AL 450 EC 03 156262	
Voltage U_N	230 V 1~
Current I_{max}	9,5 A
Ambient temperature t_A	60 °C
Conveyed medium temperature t_M	60 °C
Speed Control	0-10V
Motor protection	TEC
Insulation class motor	F
Weight	22,6 kg
Number of poles	-
IP motor	IP55
IP terminal box	-
IP complete unit	-
Min. operating temperature	-20 °C



ruck^{eu}
 VENTILATOREN
 ruck Ventilatoren
 Max-Planck-Str. 5
 D-97944 Boxberg



1:8 A4 mm

Protection Mark
 according to ISO16016
 Created co.huegel
 Drawn co.huegel
 Released d.hancu
 Disabled

General tolerances
 DIN ISO 2768-c
 10.11.2020
 10.11.2020
 17.12.2021

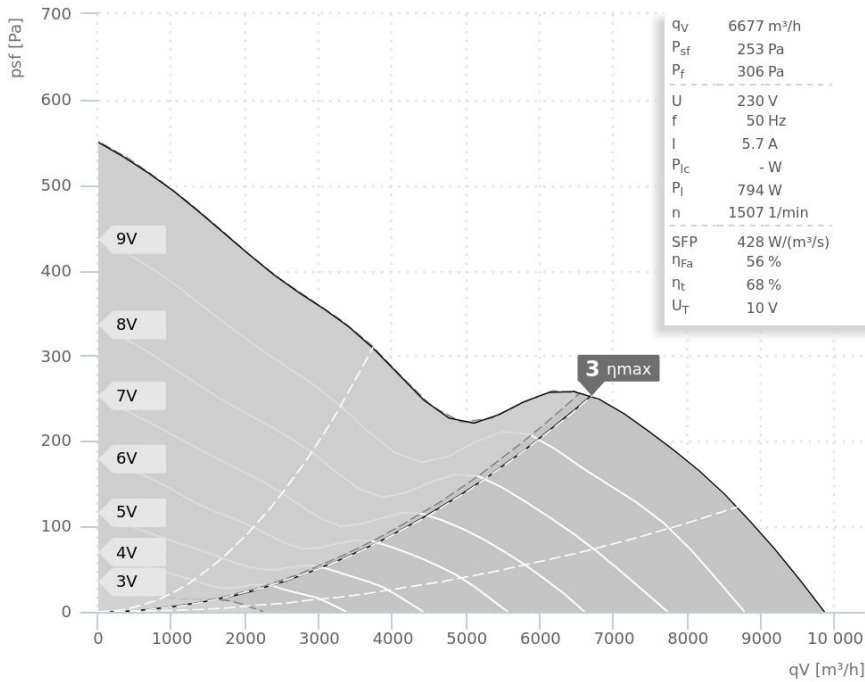
AL450EC03

156262 01

VENTAS
 VENTILATORER

DATA SHEET

AL 500 EC 01 | 154113

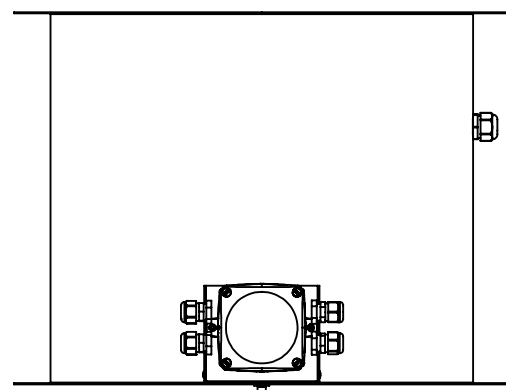
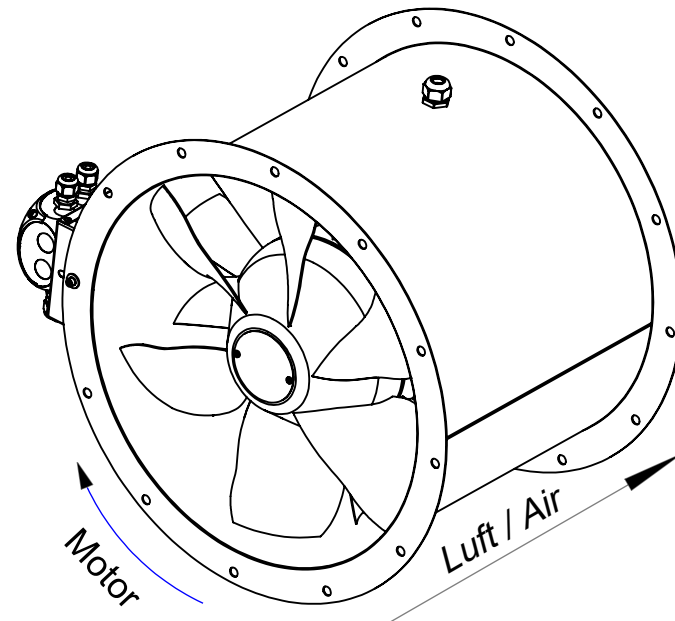
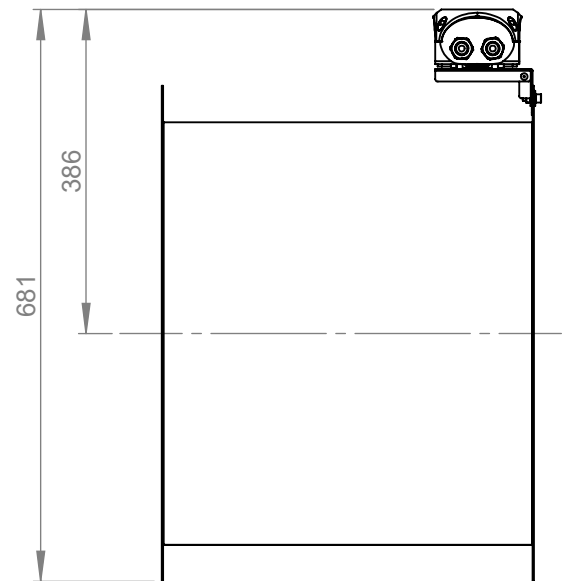
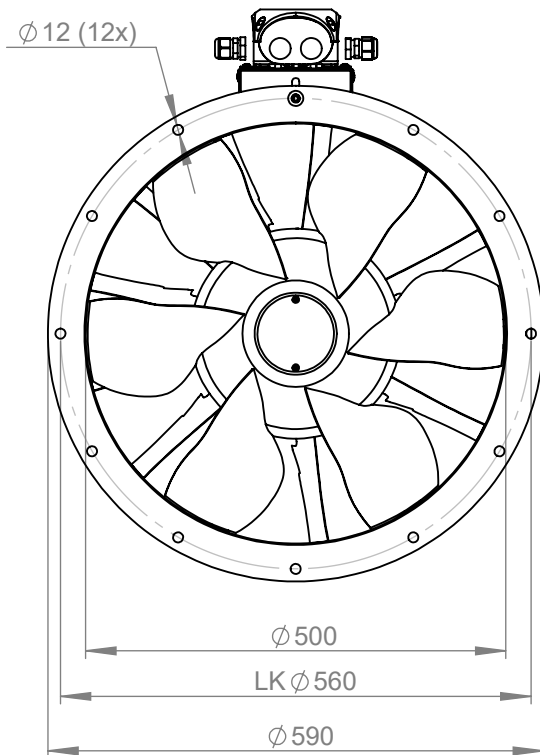


- Highly efficient EC motor, energy efficiency class IE5, with integrated electronics
- CFD optimized 3D impeller and 3D stator blades
- A stator downstream of the impeller increases pressure and efficiency
- Cone hub for optimal incident flow at the impeller
- Exceeds the current ErP regulation by 15-20%
- Conveyor temperature up to 60 °C in continuous operation
- Robust, but light welded construction
- Double function of the stator blades which, in addition to the important aerodynamic function, ensure extreme stiffness of the housing
- Suitable for outdoor installation

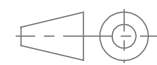
Operating Point		1	2	3	4	5
Current I	A	8,2	4,9	6,0	5,1	4,6
Power consumption P _i	W	1141	687	835	703	624
Rotation speed n	1/min	1497	1509	1507	1510	1509
SWL inlet L _{WA5}	dB(A)	92	86	84	88	88
SWL outlet L _{WA6}	dB(A)	92	85	85	87	87
SWL housing break out L _{WA2}	dB(A)	72	68	67	69	69

Sound power (L _W) dB(A)		Medium Frequency Band								
		Σ	63	125	250	500	1k	2k	4k	8k
Inlet	L _{WA5}	85	55	67	77	79	79	76	70	64
Outlet	L _{WA6}	84	61	76	76	80	79	75	70	66
Housing radiation	L _{WA2}	67	51	55	57	59	59	54	49	61

AL 500 EC 01 154113	
Voltage U _N	230 V 1~
Current I _{max}	6,0 A
Ambient temperature t _A	60 °C
Conveyed medium temperature t _M	60 °C
Speed Control	0-10V
Motor protection	TEC
Insulation class motor	F
Weight	32,8 kg
Number of poles	-
IP motor	IP55
IP terminal box	-
IP complete unit	-
Min. operating temperature	-20 °C



ruck^{eu}
 VENTILATOREN
 ruck Ventilatoren
 Max-Planck-Str. 5
 D-97944 Boxberg



1:9 A4 mm

Protection Mark
 according to ISO16016

General tolerances
 DIN ISO 2768-c

AL500EC01

Created I.benk
 Drawn I.benk
 Released d.hancu
 Disabled

25.03.2020
 25.03.2020
 21.12.2021

154113 00

