

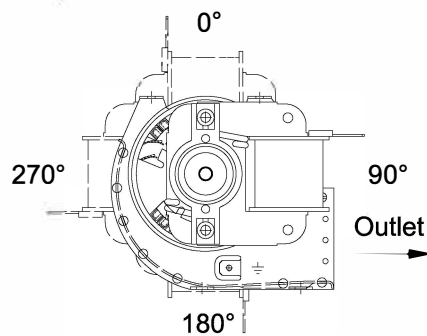
NCB 60x120-480

Blower	A	B	C	D	E
NCB 60x120	121	132.2	45-75	-	-
NCB 60x180	181	192.2	45-75	70	77
NCB 60x202	204	215.2	45-75	70	77
NCB 60x240	242	253.2	45-75	70	106
NCB 60x300	303	314.2	45-75	95.7	136
NCB 60x360	366	377.2	45-75	170	156
NCB 60x420	424	435.2	45-75	170	180
NCB 60x480	485	496.2	45-75	170	228.9

Crossflow blower description example:

NCB HL 60x180 L 12-90 K1303
 Crossflow blower
 Housing, HL, L, LL
 Wheel diameter
 Length, 120-480
 Rotation
 Motor type
 Motor angle, 0/ 90/ 180/ 270°
 Motor code

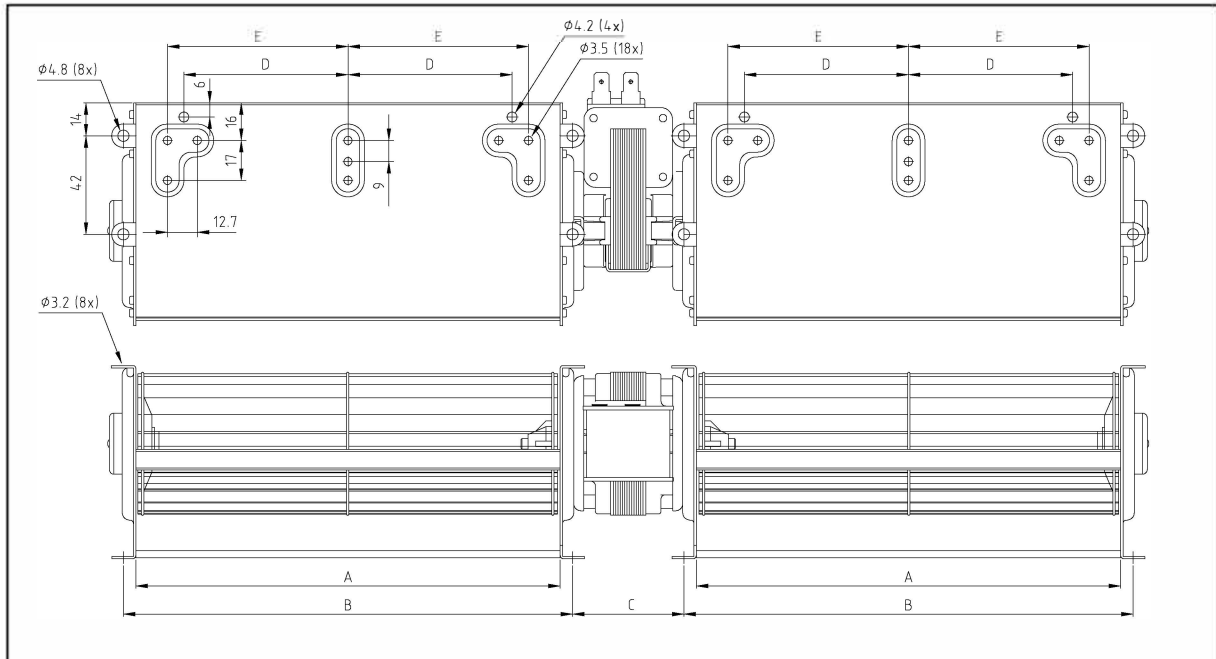
Alternative motor angles:



Motor type	Input W	Output W	Insulation Class	Volt / Hz
FER 22	12.0	1.0	B/F/H	230/50
FER 12	18.0	2.0	B/F/H	230/50
FER 10	25.0	2.5	B/F/H	230/50
FER 16	35.0	3.0	B/F/H	230/50
FER 24	40.0	3.5	B/F/H	230/50
FER 30	50.0	4.0	B/F/H	230/50

Standard for all motor types: Insulation class B or H, 230/50 alt. 120/60 Volt/Hz.
 The NCB 60 blower can also be supplied with a heating element.



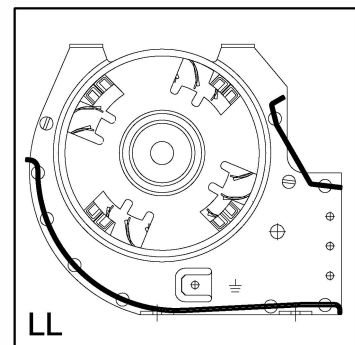
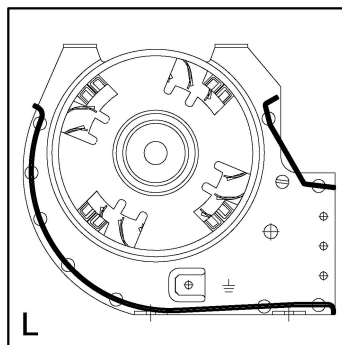
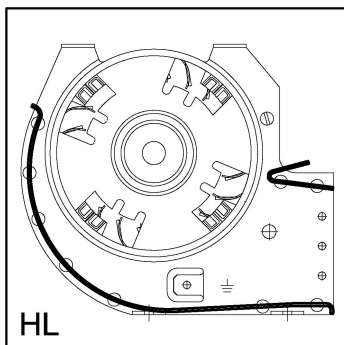


Blower	A	B	C	D	E
NCB 60x180 L+R	181	192.2	45-75	70	77
NCB 60x240 L+R	242	253.2	45-75	70	106
NCB 60x300 L+R	303	314.2	45-75	95.7	136

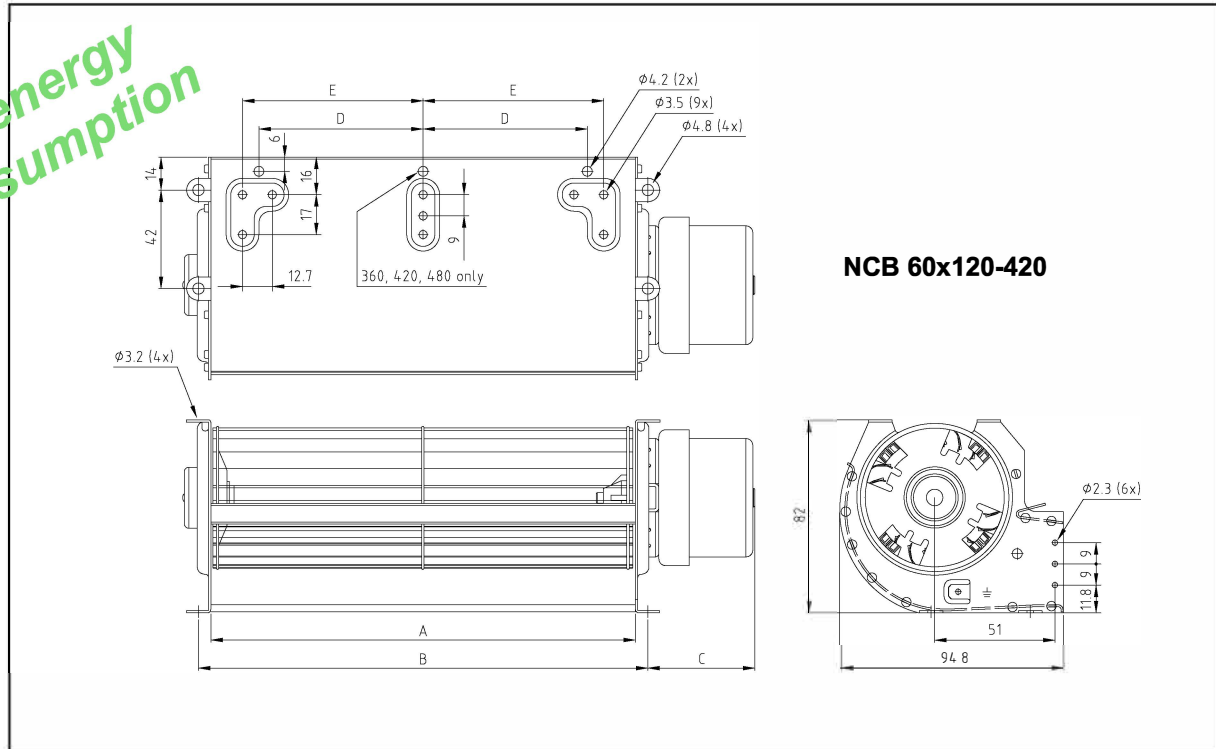
FERGAS crossflow blowers can be delivered as double crossflow blowers with a double shafted shaded pole motor. Normally the double NCB crossflow blowers are delivered in the lengths 180, 240 and 300. Above this maximum troublefree operation cannot be assured. When a bigger airflow than that of an NCB 60x300 double is required, two crossflow blowers with separate motors would be recommended.

Motor type	Input W	Output W	Insulation Class	Volt / Hz
FER 10	25.0	2.5	B/F/H	230/50
FER 16	35.0	3.0	B/F/H	230/50
FER 24	45.0	3.5	B/F/H	230/50
FER 30	55.0	4.0	B/F/H	230/50

Alternative types of NCB 60 housing:



Low energy consumption



The 60 mm diameter tangential crossflow blower can be supplied in the below described lengths with a 12, 24 or 48 Volt brushless DC motor. The tangential crossflow blower offers benefits in its size, low noise level, evenly distributed airflow and the ability to apply different forms of speed control.

Blower	A	B	C	D	E	L	Airflow	HL	L	Power cons.	HL
NCB 60x120	121	132.2	46	-	-	105 m ³ /h	125 m ³ /h	7.4 W	9.1 W		
NCB 60x180	181	192.2	46	70	77	153 m ³ /h	172 m ³ /h	9.6 W	12.0 W		
NCB 60x202	204	215.2	46	70	77	163 m ³ /h	190 m ³ /h	10.2 W	12.5 W		
NCB 60x240	242	253.2	46	70	106	194 m ³ /h	225 m ³ /h	11.0 W	14.0 W		
NCB 60x300	303	314.2	46	95.7	136	225 m ³ /h	260 m ³ /h	12.0 W	15.6 W		
NCB 60x360	366	377.2	46	170	156	270 m ³ /h	302 m ³ /h	13.0 W	16.8 W		
NCB 60x420	424	435.2	46	170	180	300 m ³ /h	338 m ³ /h	14.4 W	17.3 W		

Crossflow blower description example:

NCB HL 60x180 L DC7 24V K1427

