

SENSIS

ELECTRONIC THERMAL MANAGEMENT DEVICE



New IIoT device
for enclosure thermal management



The Thermal Management in a single device.

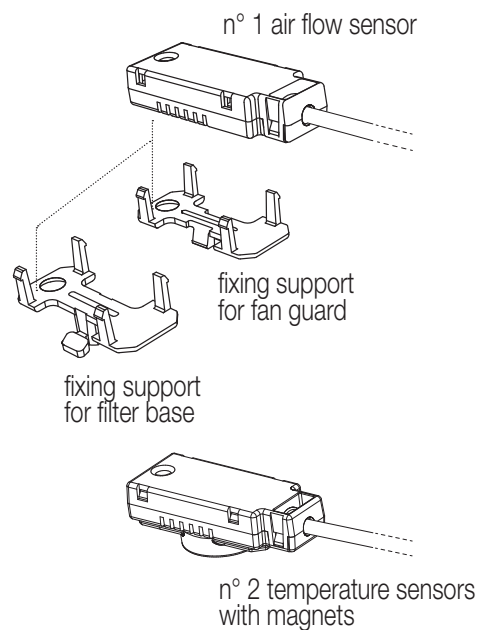
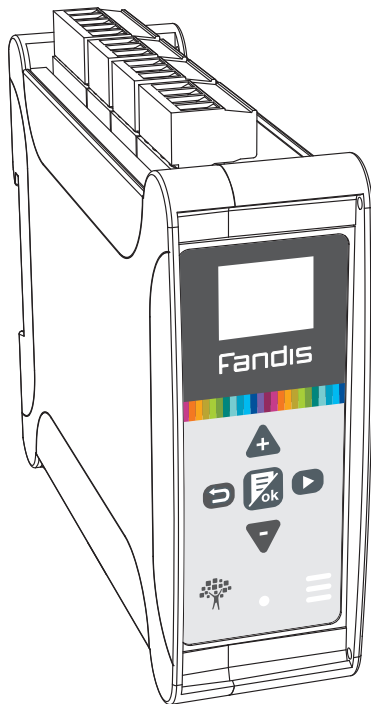
Sensis is Fandis's response to the need for climate control, predictive maintenance and interconnectivity.

Electrical panels are a key element in industrial plants and machinery, handling data on energy distribution, process control, and storage of information.

It's essential to keep climatic conditions inside electrical panels under control, keeping installed components in the right conditions to prevent damaging shutdowns.



MODELS AND ACCESSORIES



Models	
Sensis stand alone (no interface)	SNS00U00X
Sensis Modbus RTU	SNS01U00X
Sensis PROFINET	SNS02U00X SNS02UM00X
Sensis ASI	SNS03U00X
Sensis CAN-OPEN	SNS04U00X
Sensis CC link	SNS05U00X
Sensis EtherCat	SNS06U00X
Sensis Modbus/TCP	SNS07U00X
Sensis Profibus	SNS08U00X
Sensis SERCOS III	SNS09U00X
Sensis IO LINK	SNS10U00X
Sensis EtherNet/IP	SNS11U00X SNS11UM00X
Sensis VARAN	SNS12U00X
Sensis POWERLINK	SNS13U00X

-M00X models allow the connection to protocols MQTT/OPCUA.
UL versions available on request.

Technical Data	
Rated current	150mA
Rated voltage	24 V DC
Rated power	3.6W
Operating temperature	-10°C (14°F) ÷ 55°C (131°F)
Storage temperature	-25°C (-13°F) ÷ 70°C (158°F)
Humidity	up to 99% non-condensing
Pollution degree	2
Overvoltage category	II

For more information:
www.fandis.com/lp/sensis/en/

Sensis regulates, monitors and manages temperature parameters, interacting in real time, both locally and via remote, with a fieldbus, Real-Time Ethernet and network.



REGULATES

MANAGEMENT, TEMPERATURE AND HUMIDITY

- Measures temperature at 3 points on the electrical panel.
- Cross-checks temperature and relative humidity values.
- Monitors the efficiency of ventilation systems.



MONITORS

PREDICTIVE MAINTENANCE AND DIAGNOSTICS

- Foresees failures and malfunctioning of components in the electrical panel.
- Records the time, date and duration of events detected.
- Cross-checks information for predictive diagnostics.

BENEFITS

- A single device of limited dimensions managing a variety of complex functions
- Interoperability with the principal field buses, Real-Time Ethernet and network
- Recording of events and big data for predictive maintenance
- Hysteresis may be programmed on the basis of the electrical panel's thermal load
- Also applicable to existent plants (revamping)
- Simple, intuitive wiring

T-Ready
GNOSTICS
gulation
ing humidity
interactivity
CLIMATE CONTROL
4.0

temperature
BIG DATA



MANAGES

THE BALANCE BETWEEN INSIDE AND OUTSIDE

- Correlates climatic quantities inside and outside the electrical panel.
- Supervises actuators' efficiency.
- Maintains optimal operating conditions in the electrical panel.



COMMUNICATES

SO MANY MODELS. SO MUCH COMPATIBILITY.

- Available in plenty of different models and configurations.
- Compatible with the principal field buses.
- Can bypass the PLC and transmit via OPC-UA or MQTT.





Fandis S.p.A.
Via per Castelletto 69 - 28040 Borgo Ticino (NO) - Italy
Tel. +39 0321 96 32 32 - Fax +39 0321 96 32 96
info@fandis.com

COMPANY WITH
QUALITY SYSTEM
CERTIFIED BY DNV GL
= ISO 9001 =

For more info:
www.fandis.com

